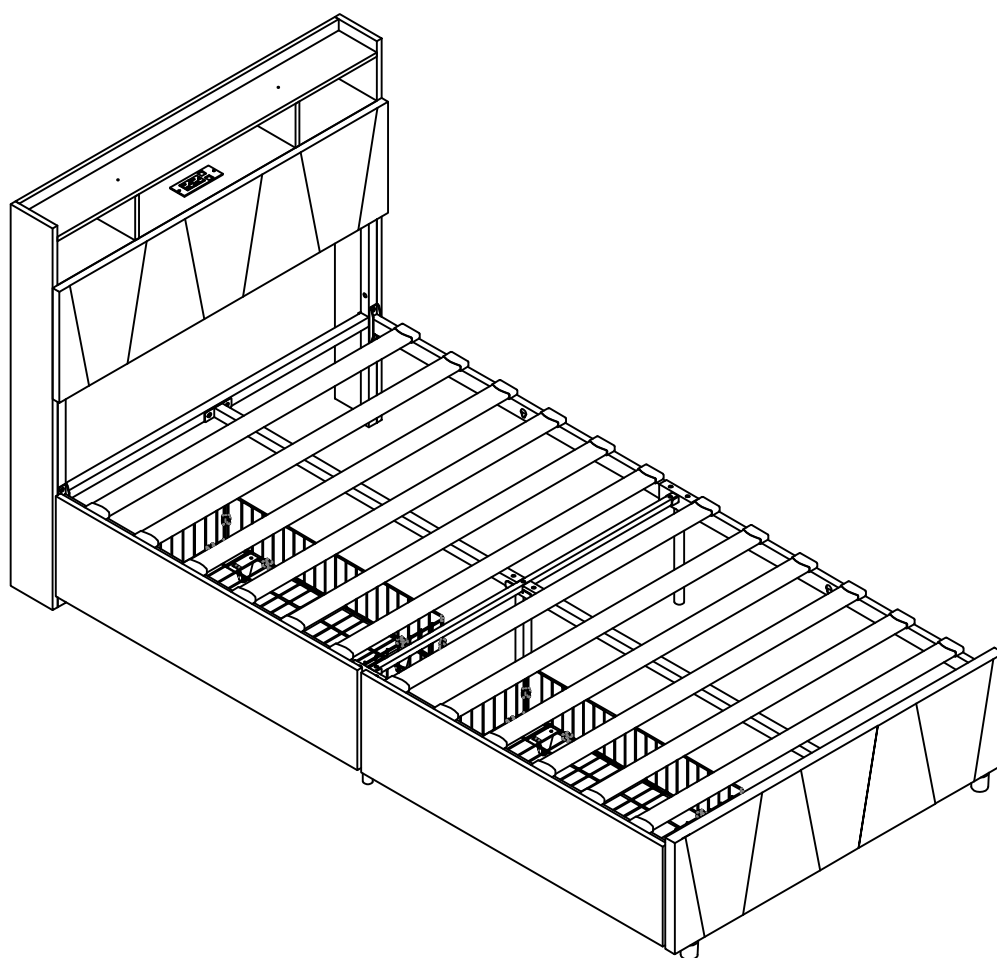
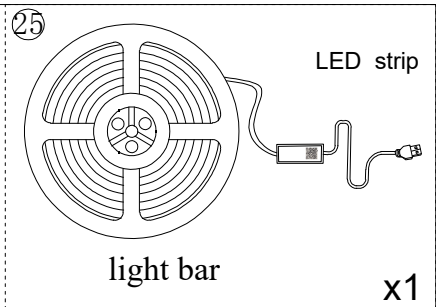
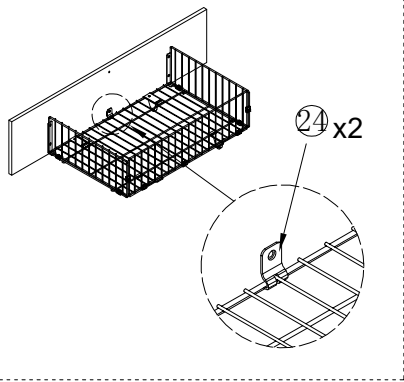
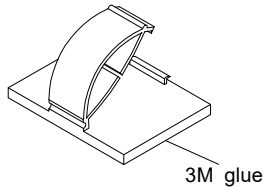
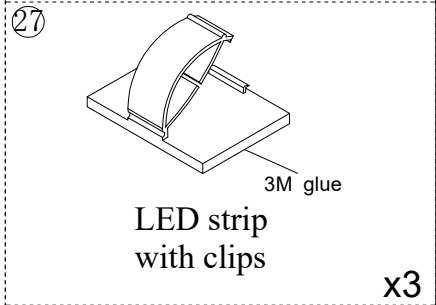


Please don't tighten the screws completely and go back later for a final tightening of all the screws after pieces are aligned with each other

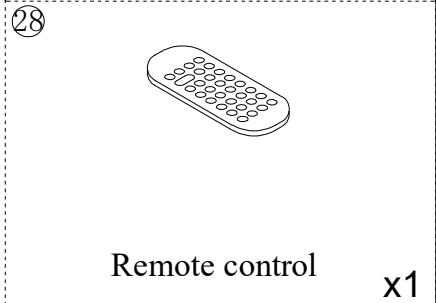




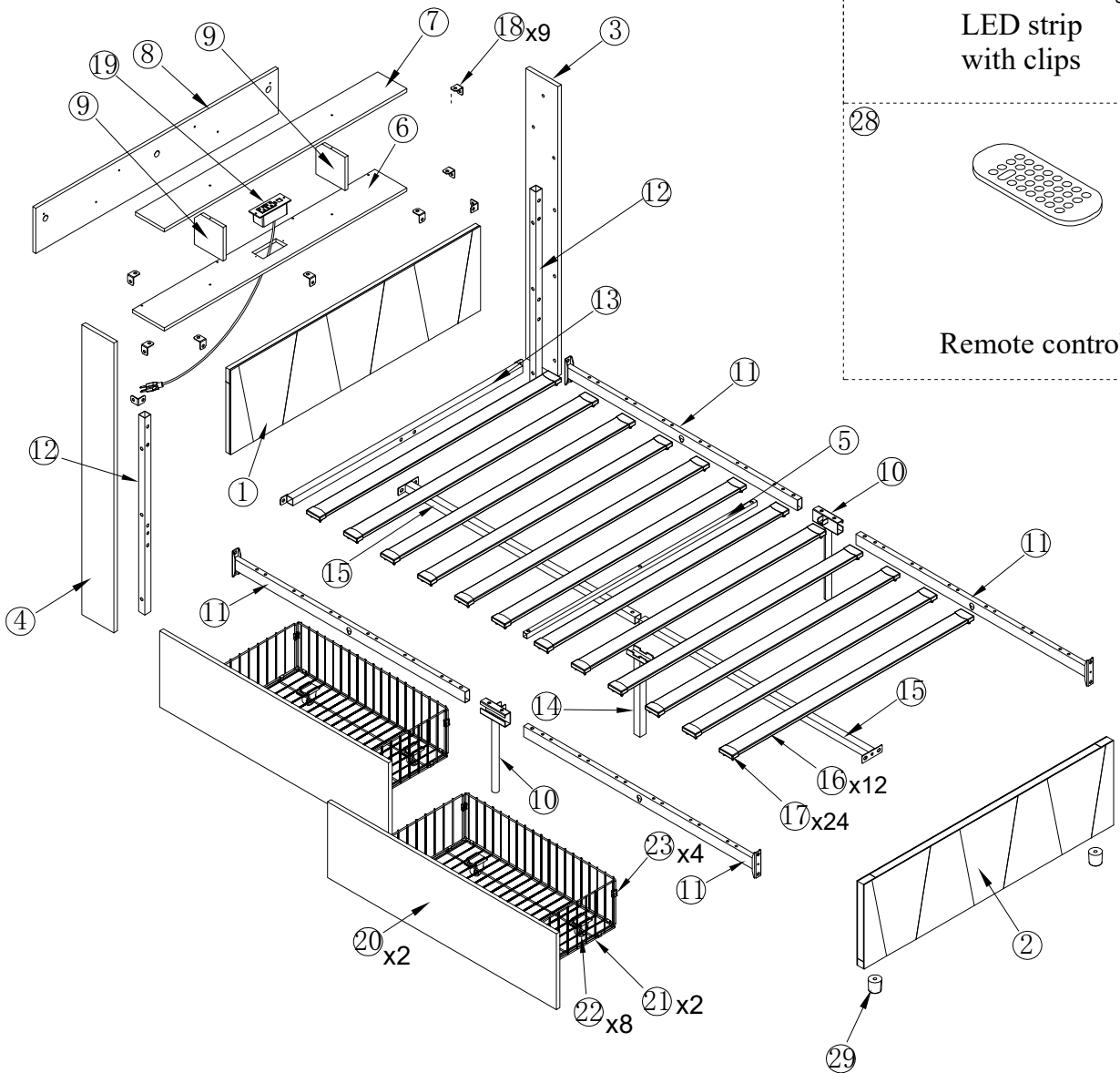
light bar x1



x3





x1

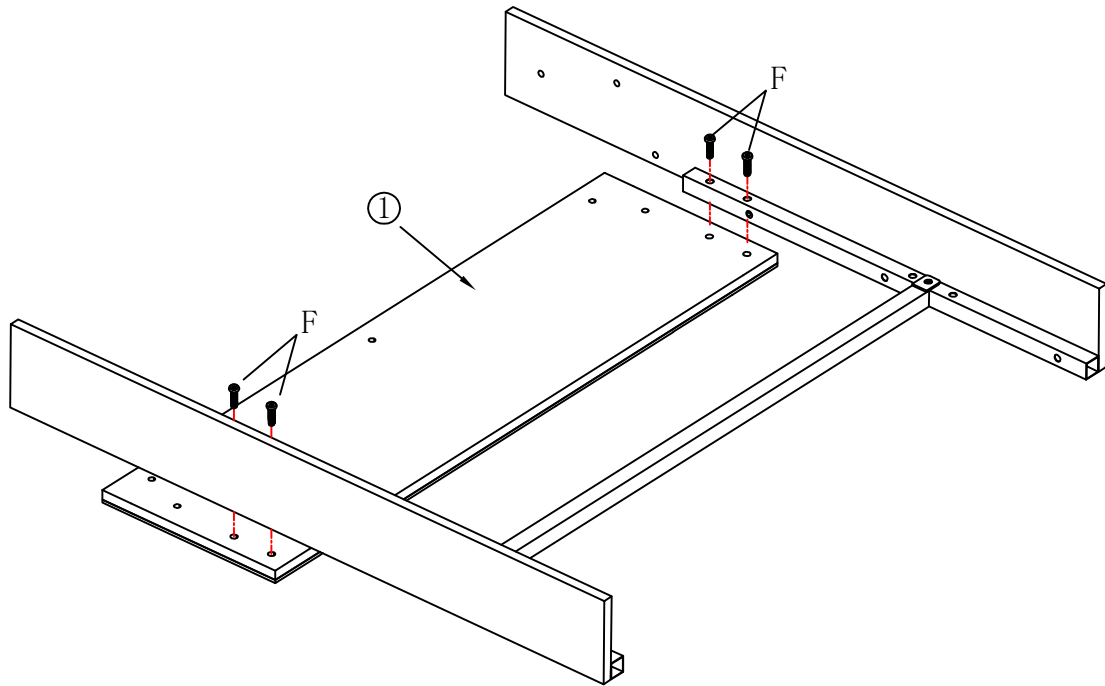


A		S4	1PC	J		M8*55	4PCS
B			1PC	K		Ø3*12	2PCS
C		M6*12	12PCS	L		M8	8PCS
D		M6*15	11PCS	M		M8*35	3PCS
E		M6*10	7PCS	N		M6*25	2PCS
F		M6*40	10PCS	O		M8*30	2PCS
G		Ø5*35	14PCS	P		S10, S13	1PC
H		M8*20	10PCS	Q		S3	1PC
I		M8*40	4PCS				





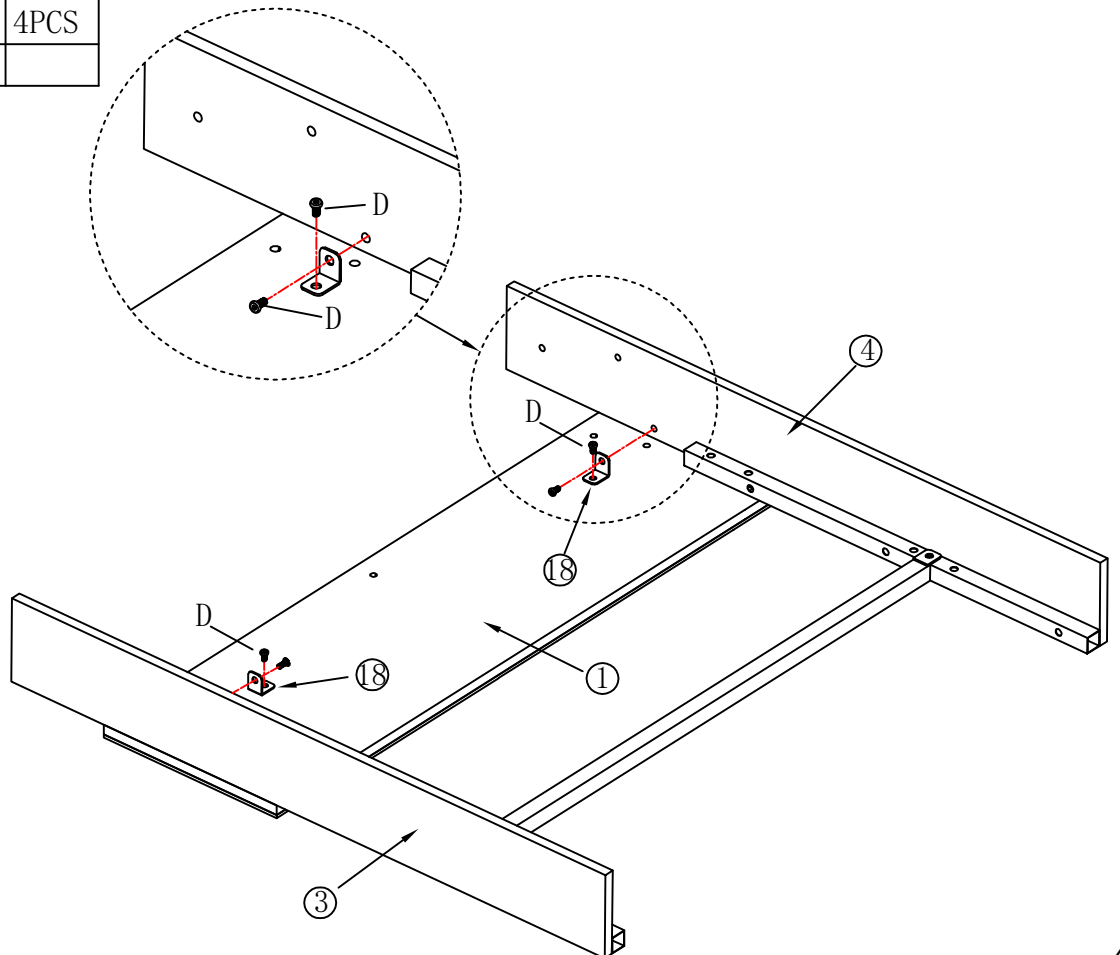
### Step3

F		M6*40	4PCS
A		S4	


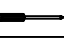


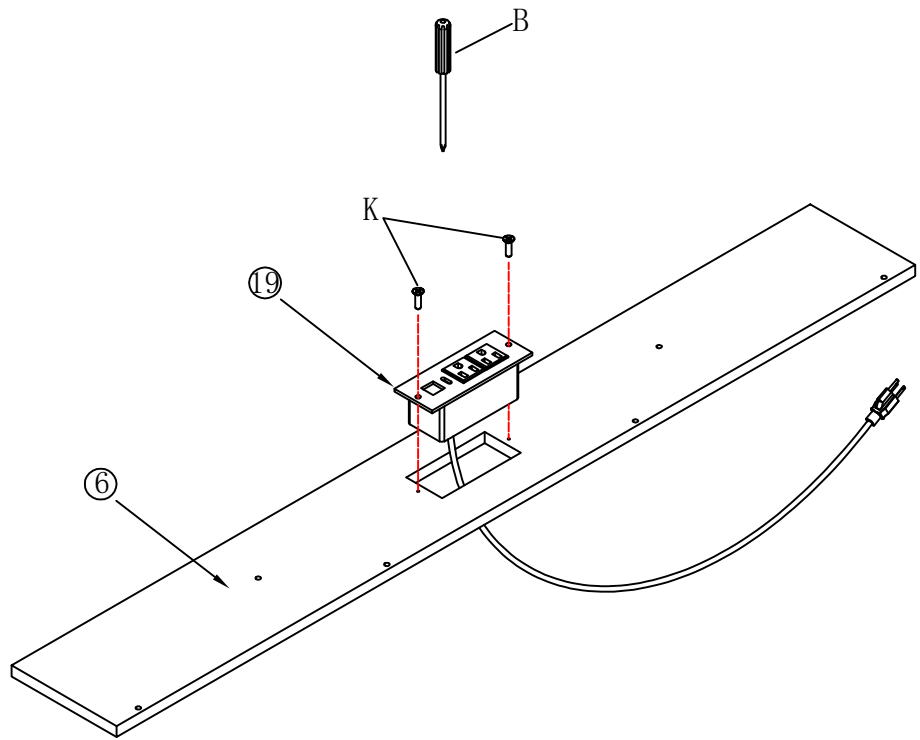
### Step4

D		M6*15	4PCS
A		S4	





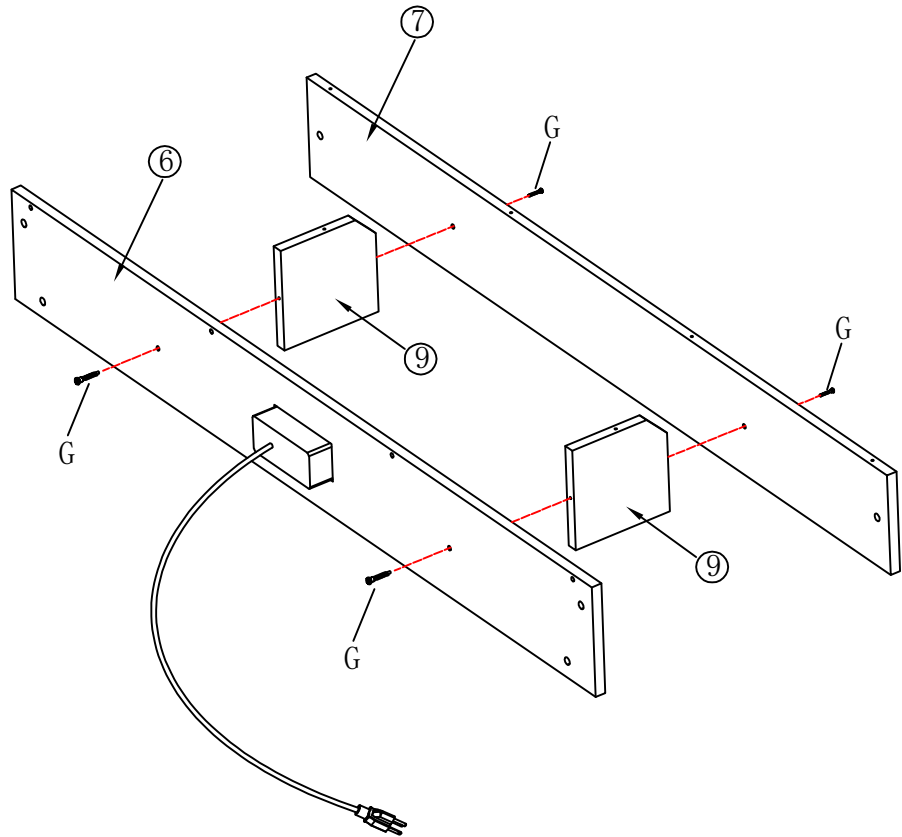
### Step5

K		φ3*12	2PCS
B			1PC





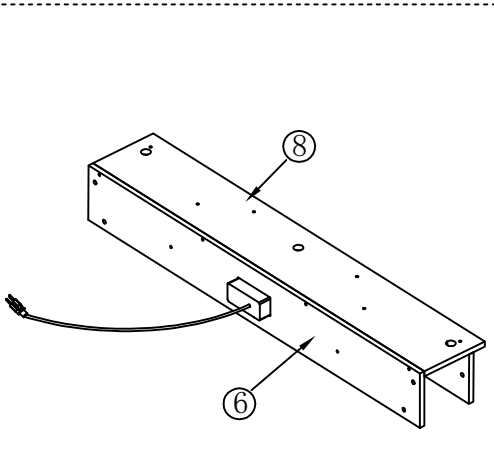
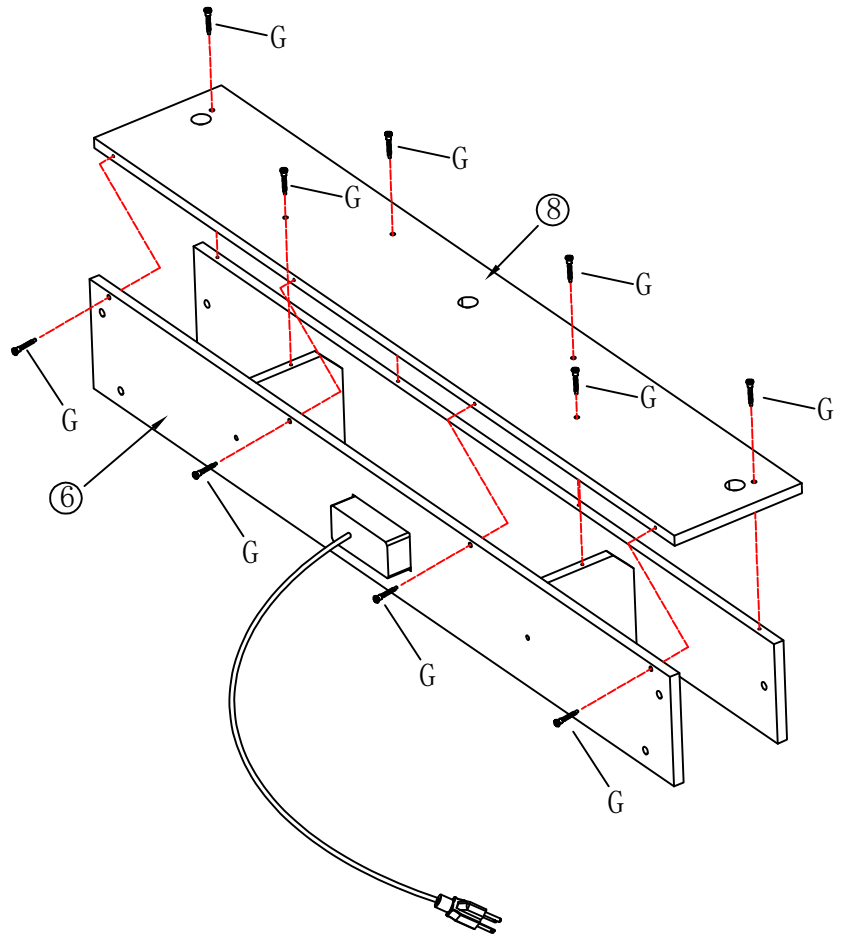
### Step6

G		φ5*35	4PCS
Q		S3	





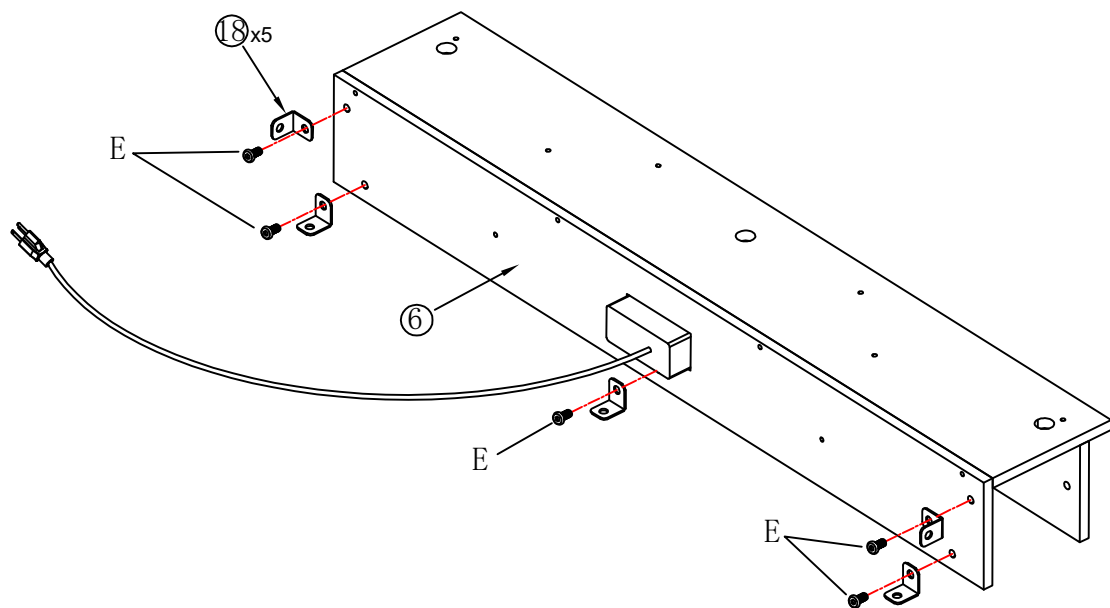
### Step7

G		φ5*35	10PCS
Q		S3	





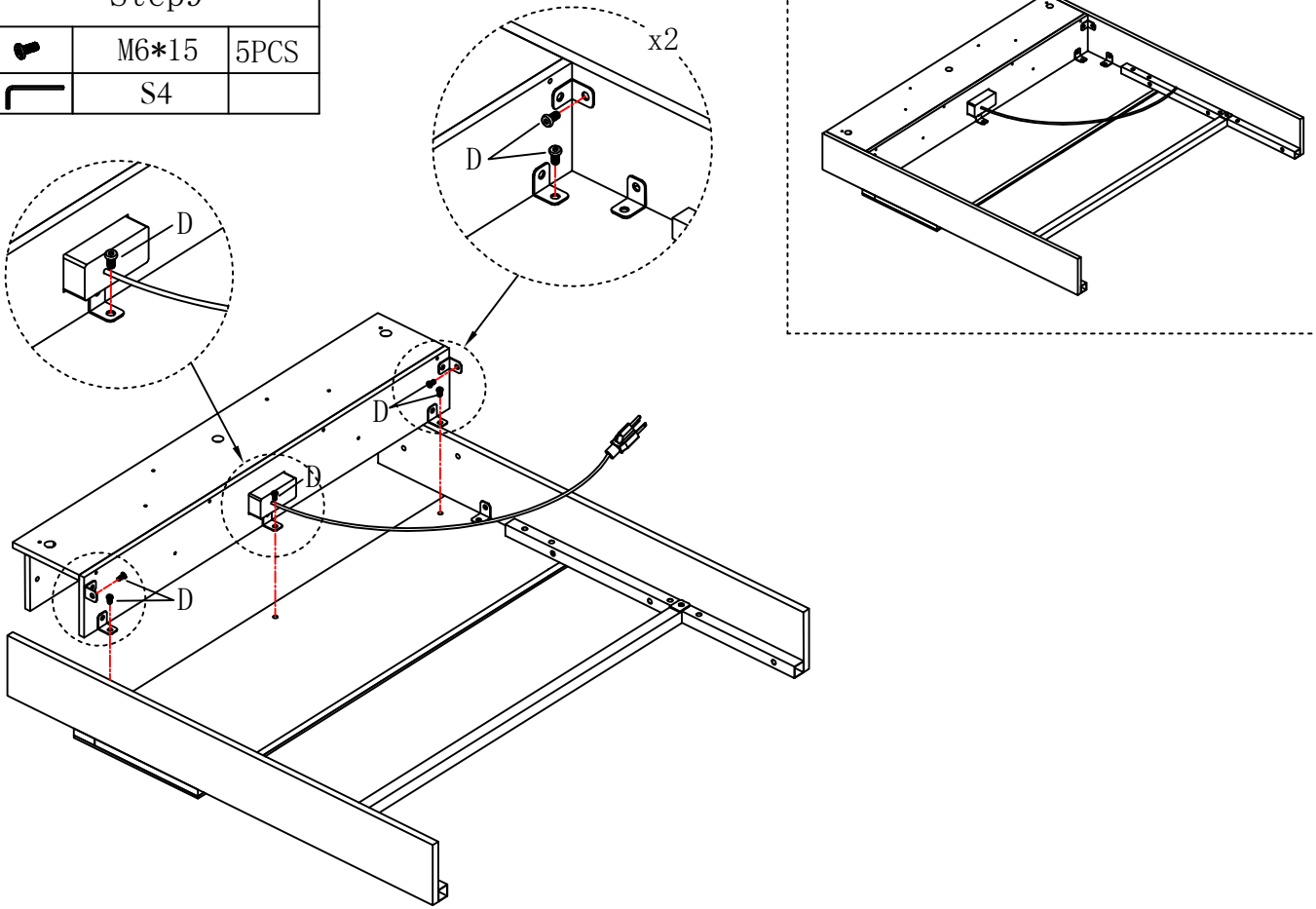
### Step8

E		M6*10	5PCS
A		S4	






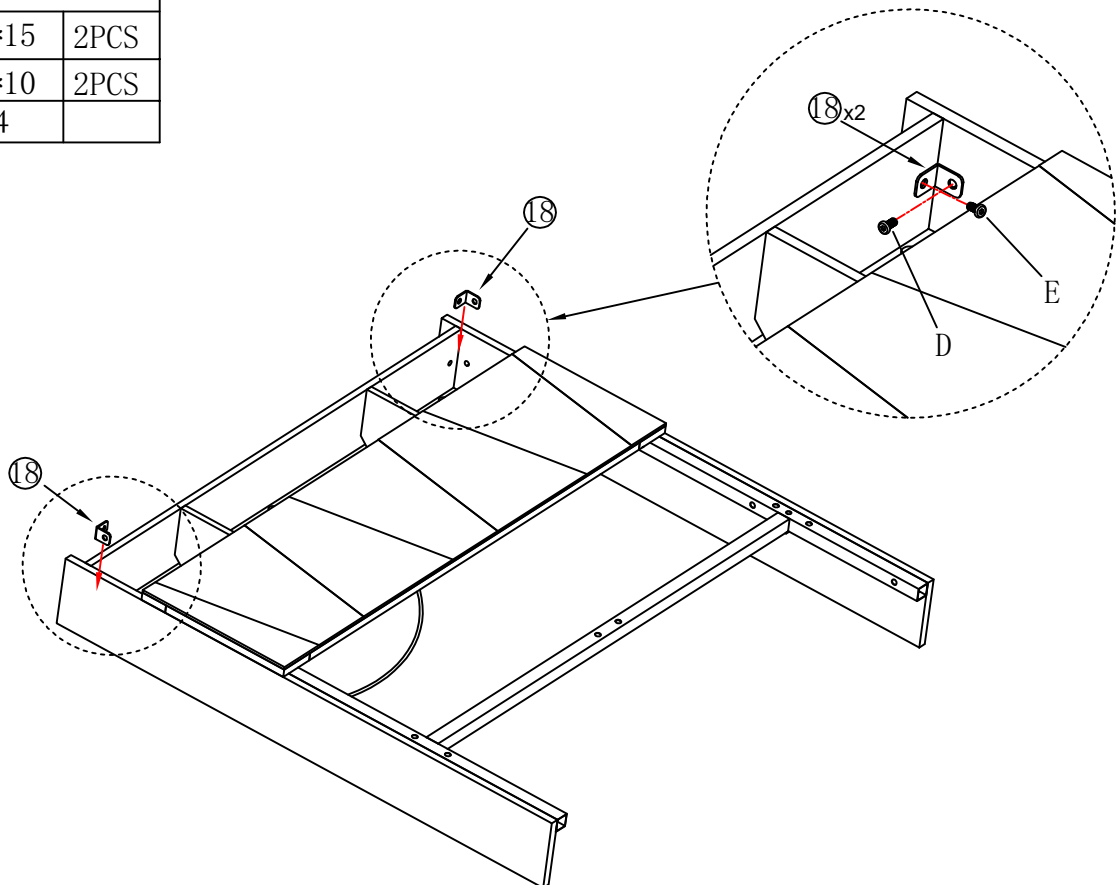
### Step9

D		M6*15	5PCS
A		S4	



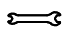
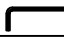


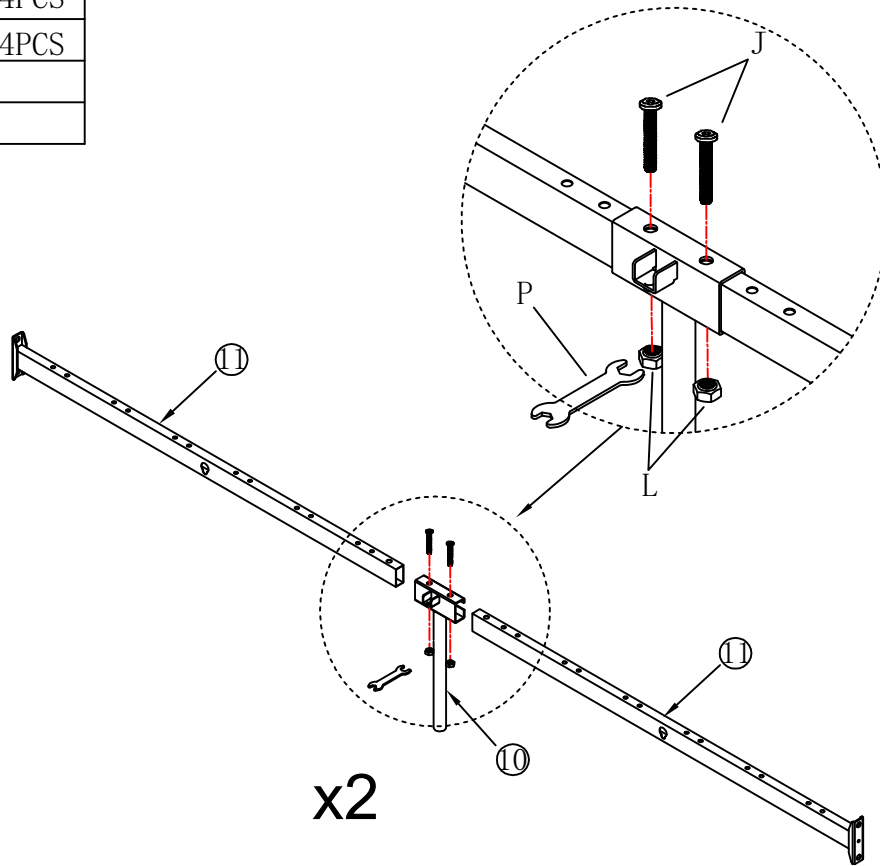
### Step10

D		M6*15	2PCS
E		M6*10	2PCS
A		S4	


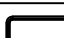


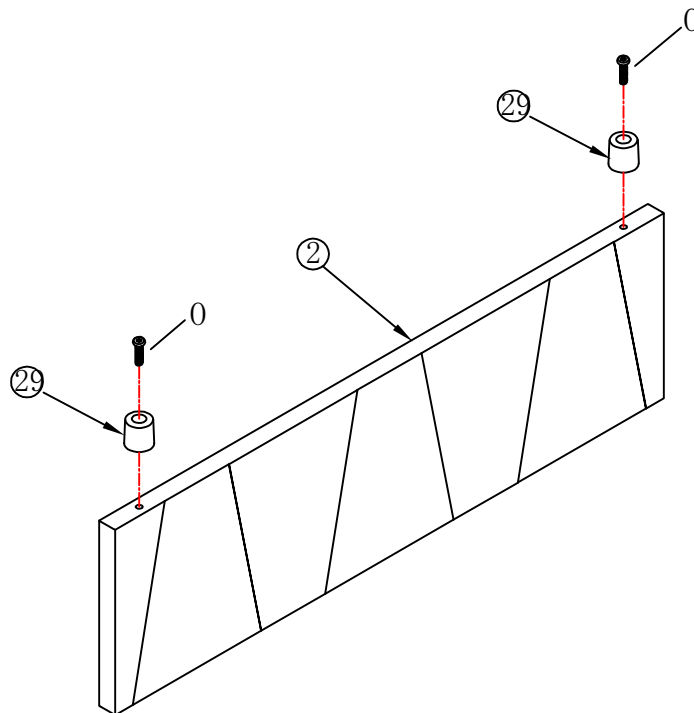
### Step11

J		M8*55	4PCS
L		M8	4PCS
P		S10,S13	
A		S4	




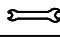



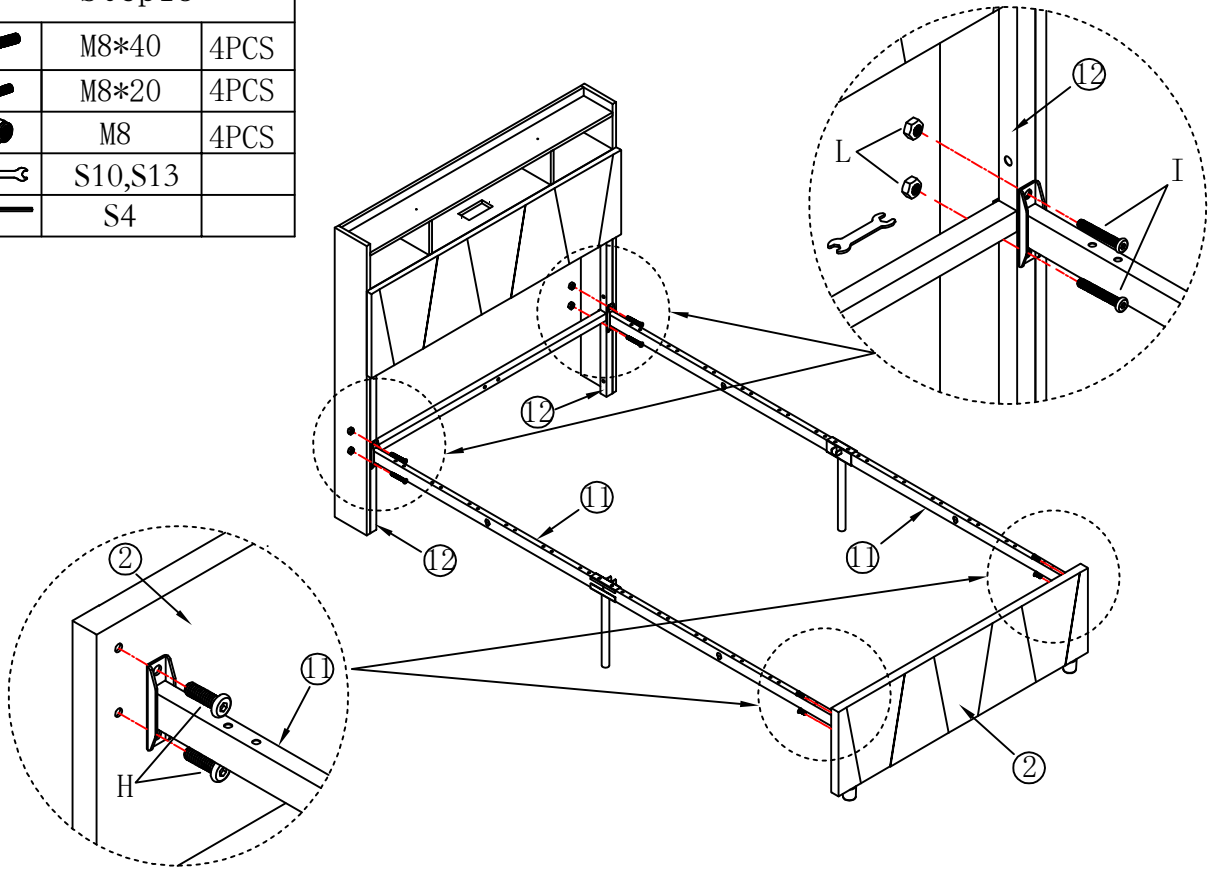
### Step12

O		M8*30	2PCS
A		S4	





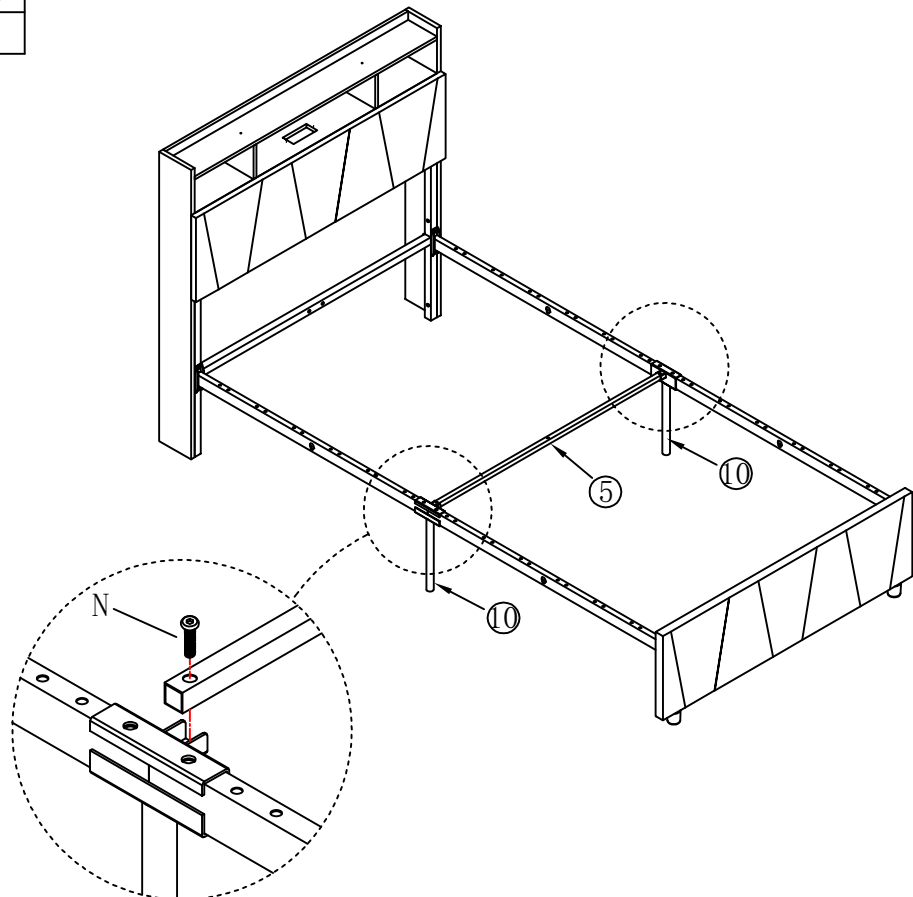
### Step13

I		M8*40	4PCS
H		M8*20	4PCS
L		M8	4PCS
P		S10,S13	
A		S4	






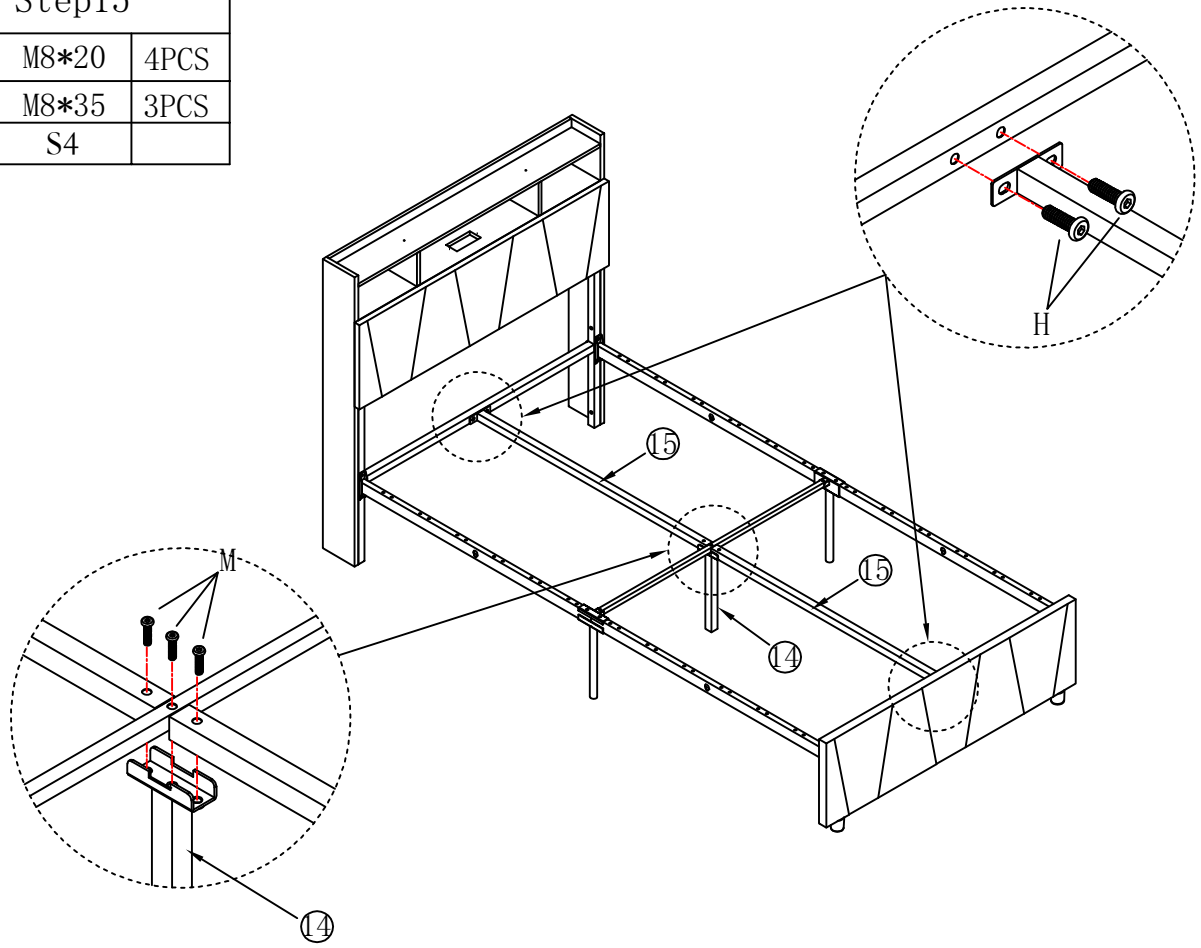
### Step14

N		M6*25	2PCS
A		S4	

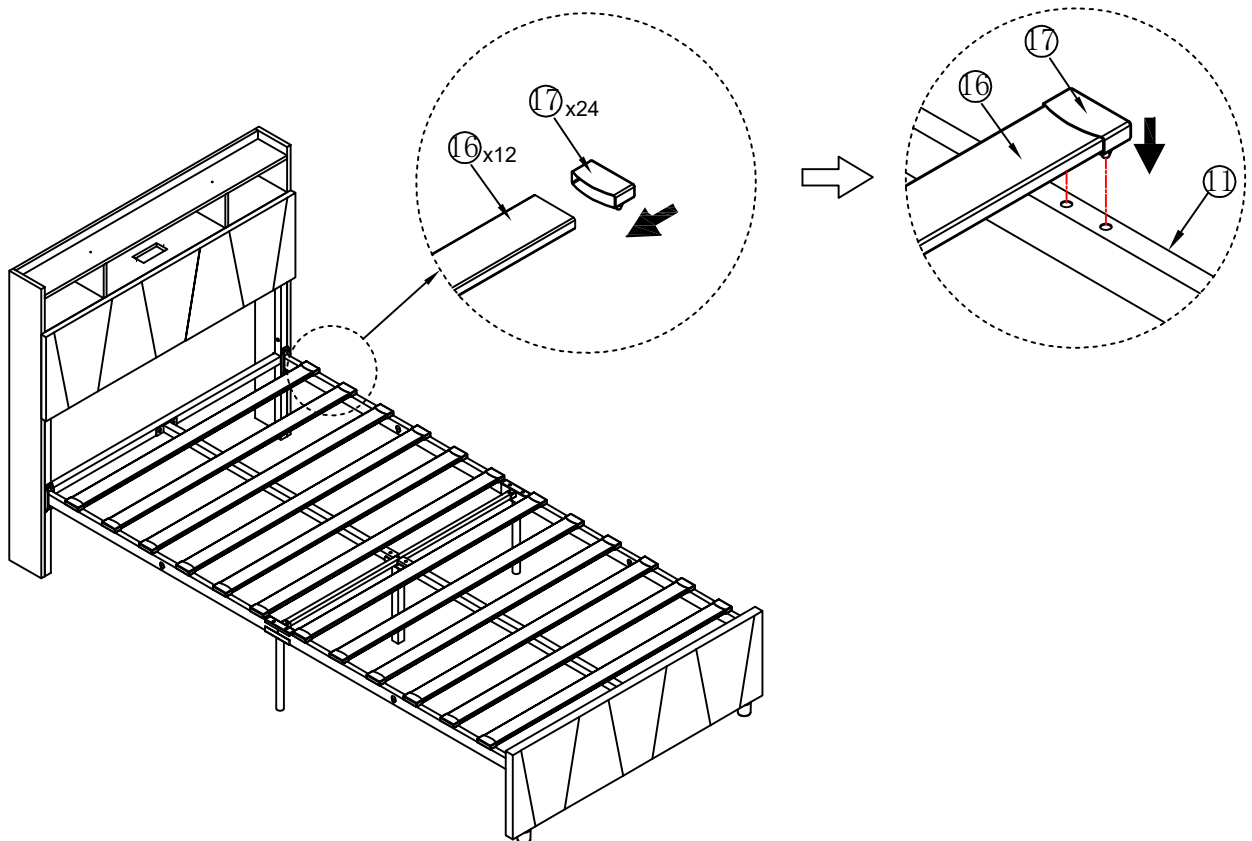


### Step15


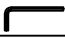
H		M8*20	4PCS
M		M8*35	3PCS
A		S4	

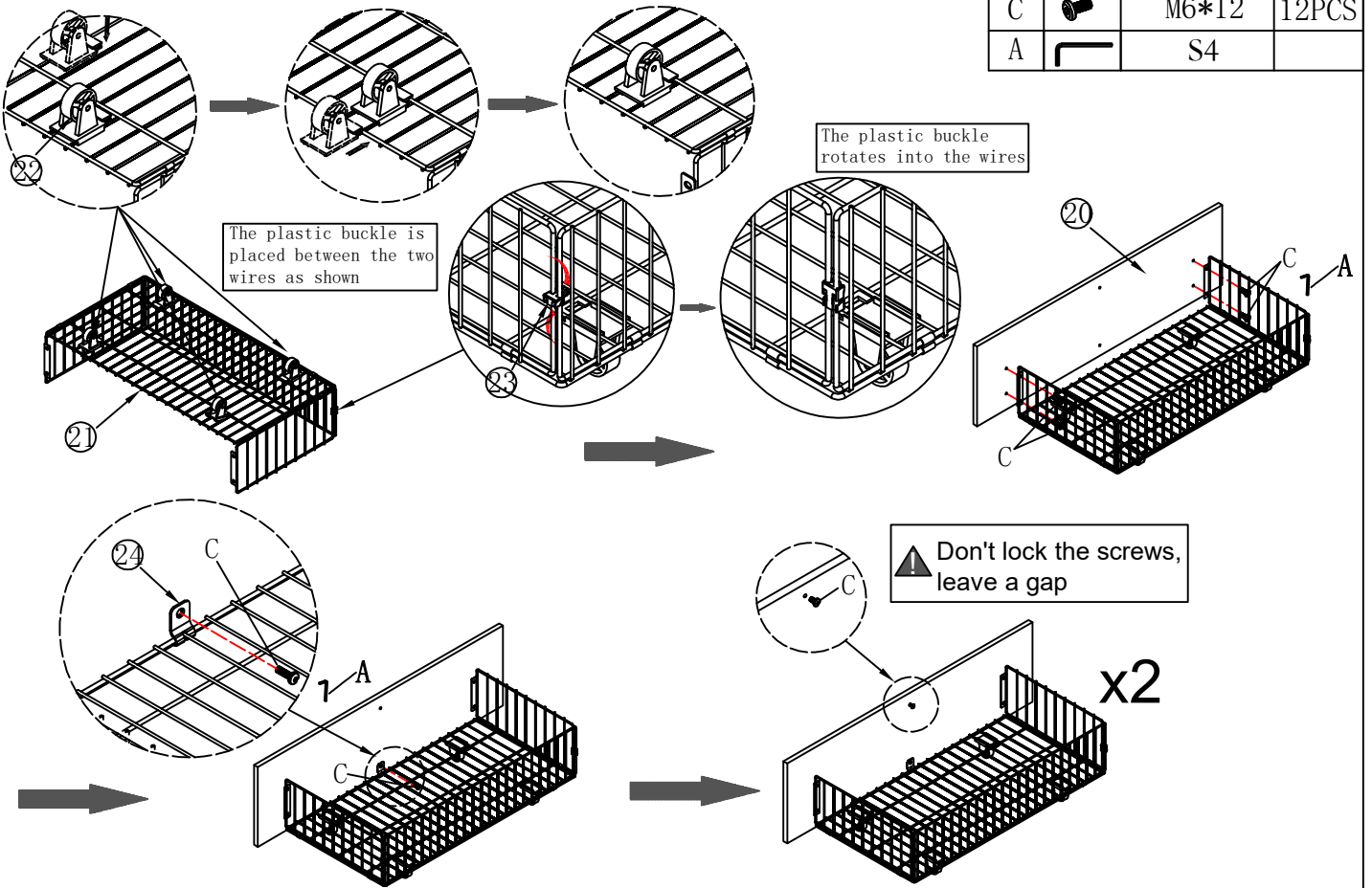


### Step16

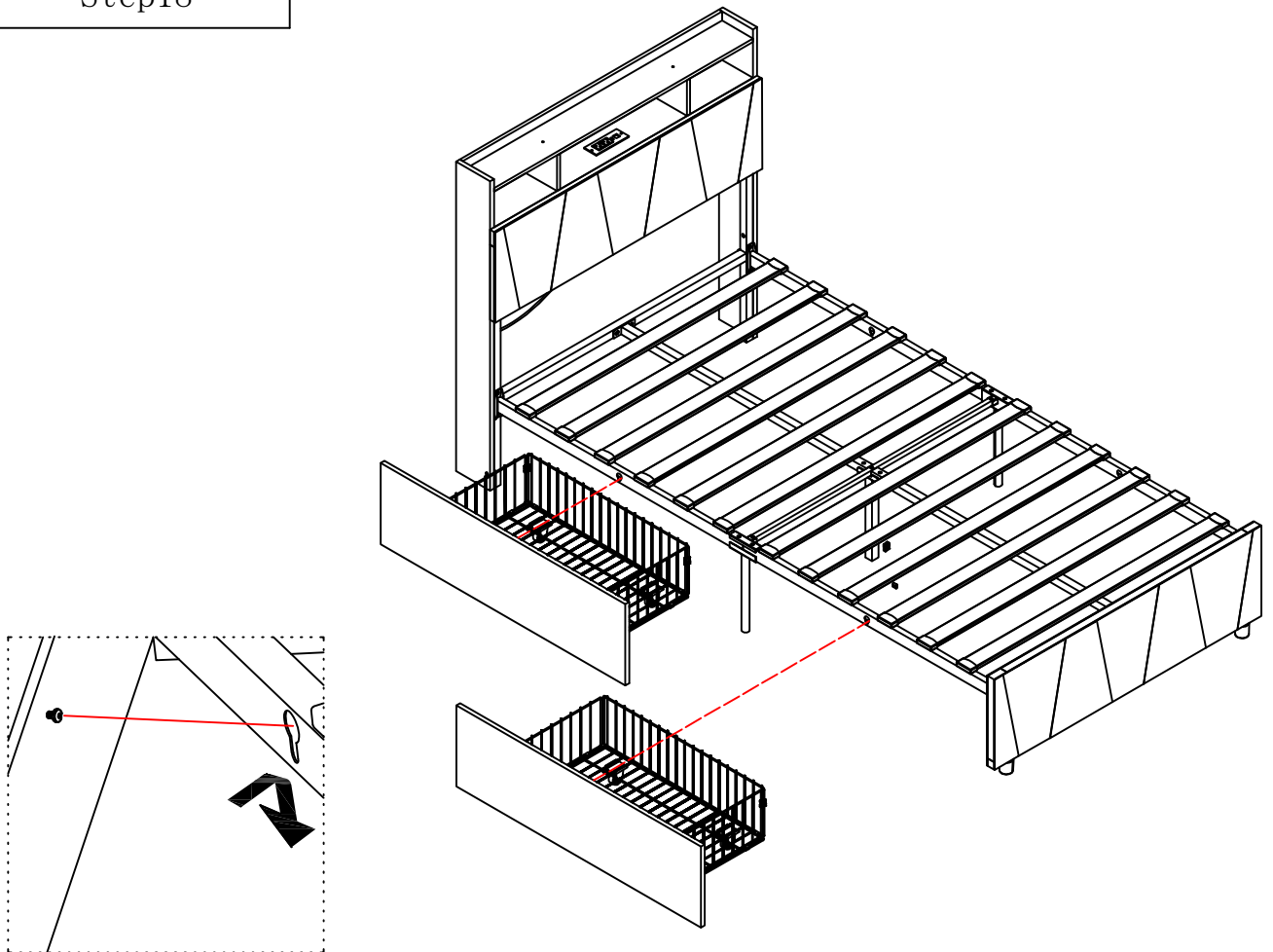


### Step17

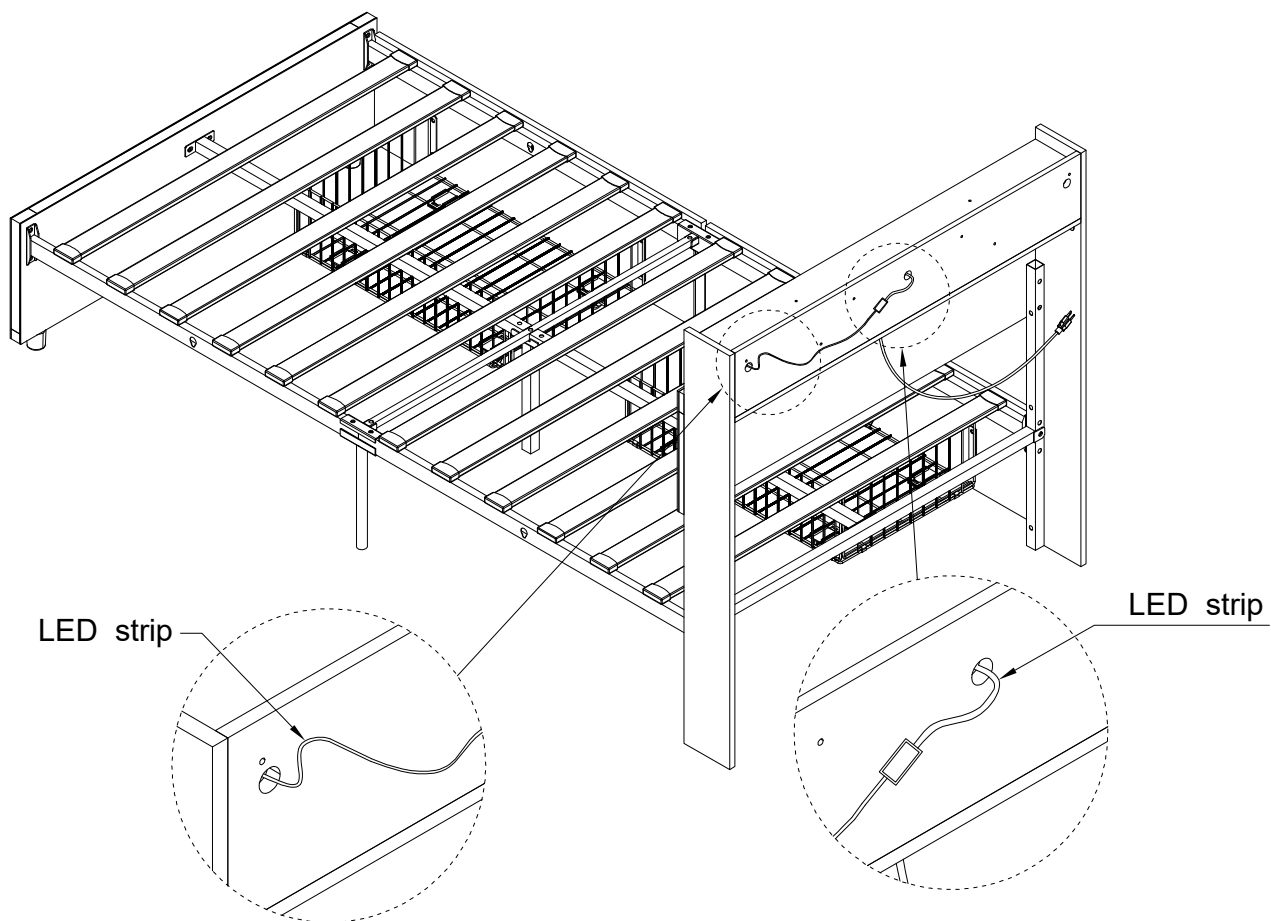
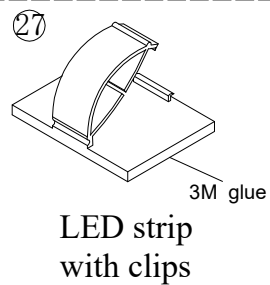
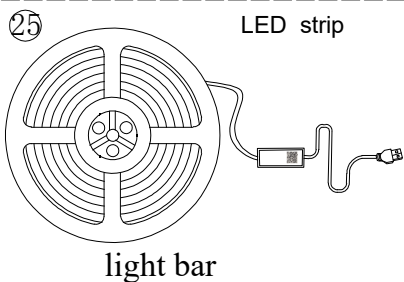
C		M6*12	12PCS
A		S4	



### Step18



# DIY LED



# DIY LED

