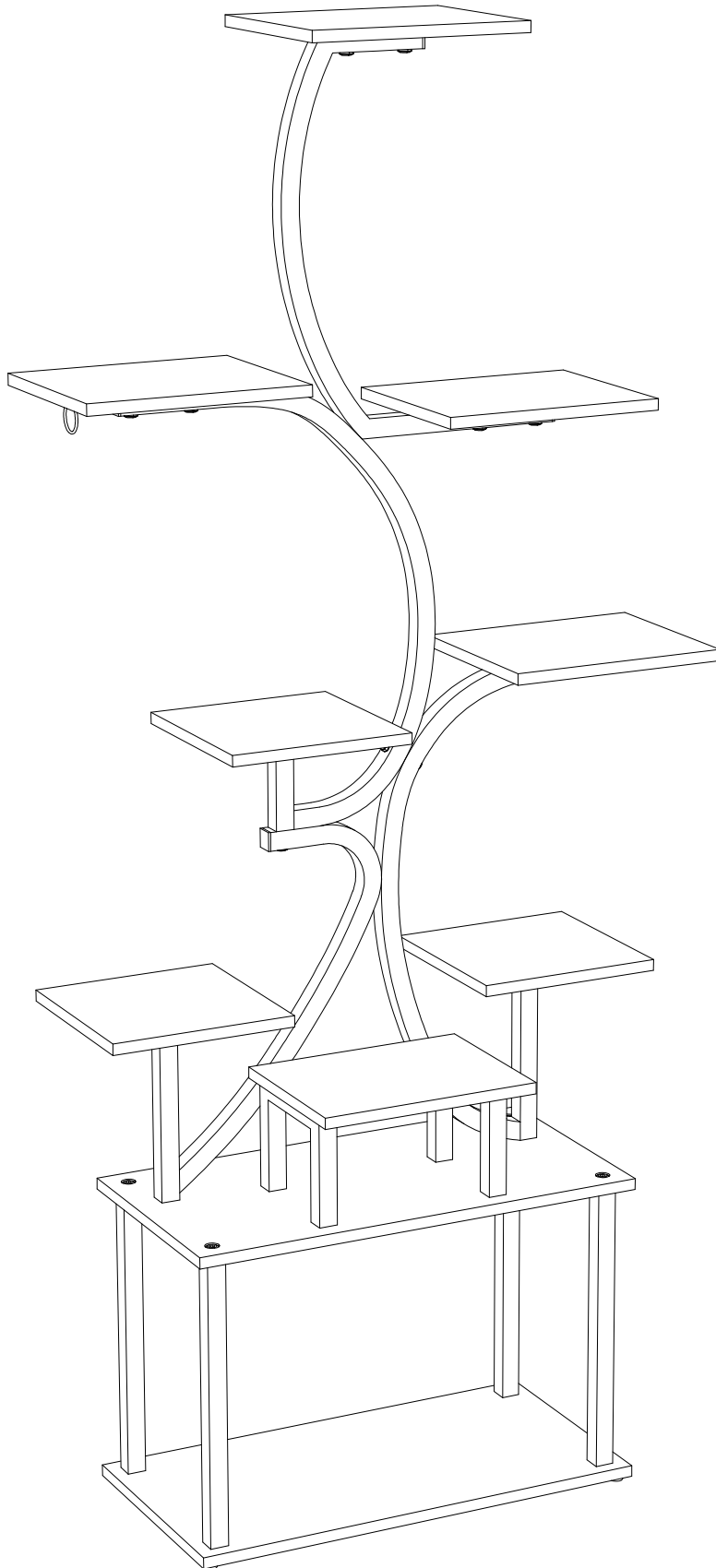
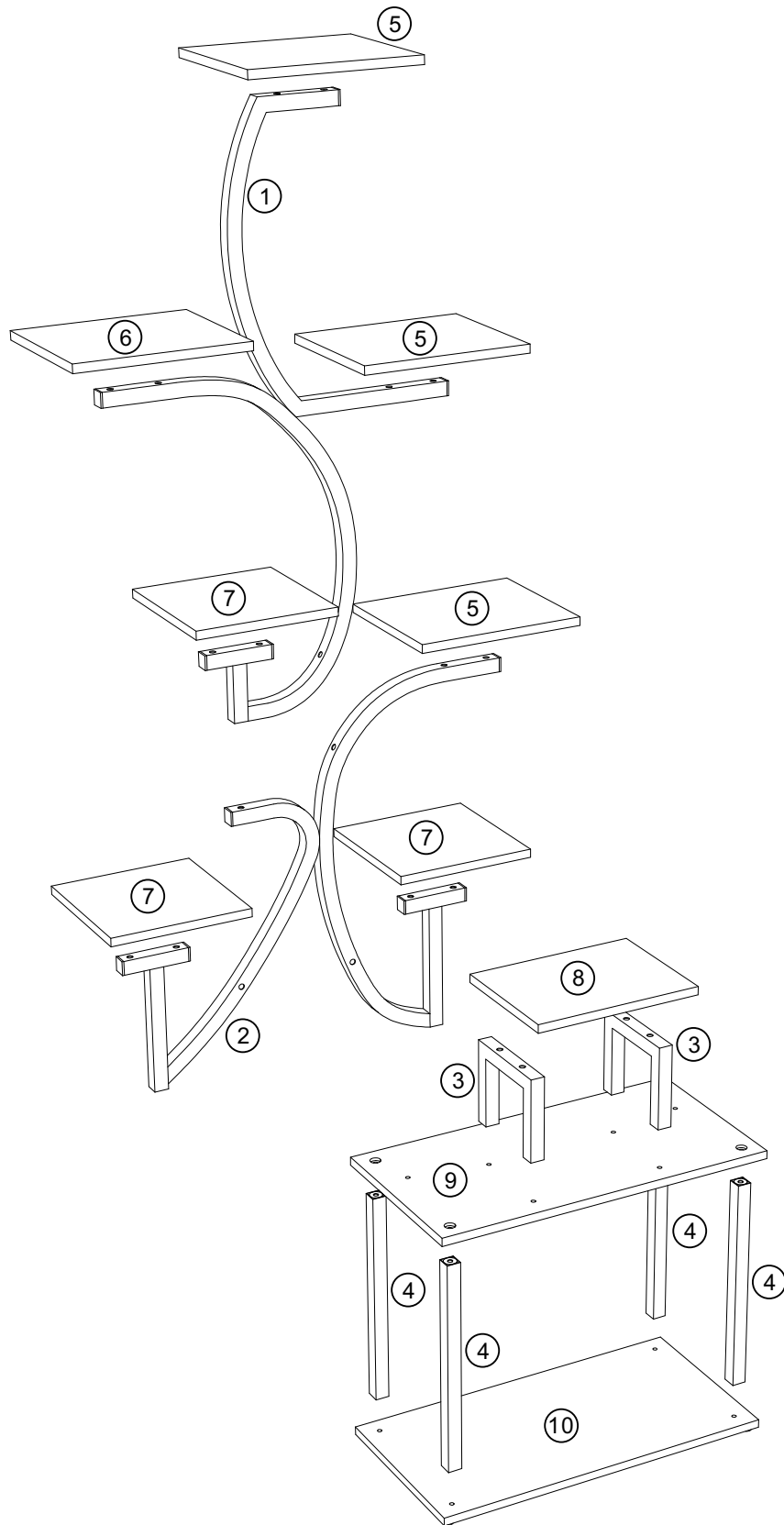


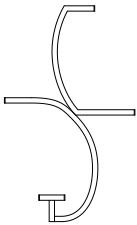
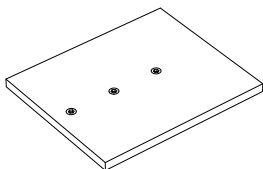
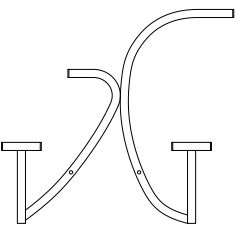
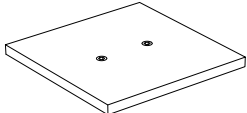
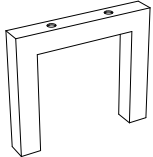
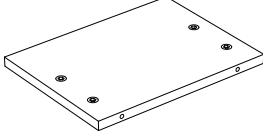
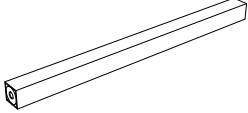
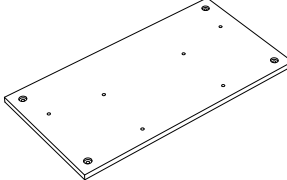
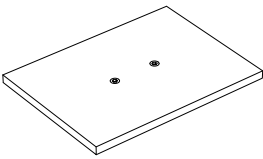
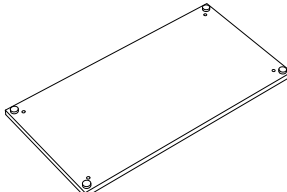
ASSEMBLY INSTRUCTIONS



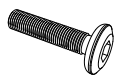
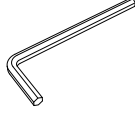
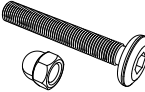
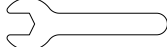
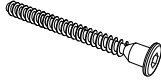
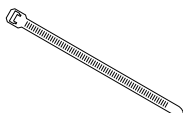

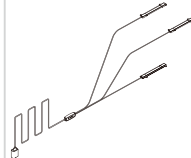

ASSEMBLY OVERVIEW



PARTS LIST

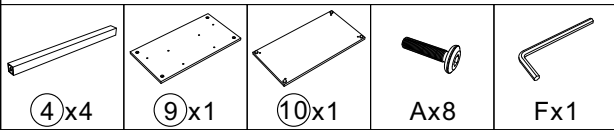
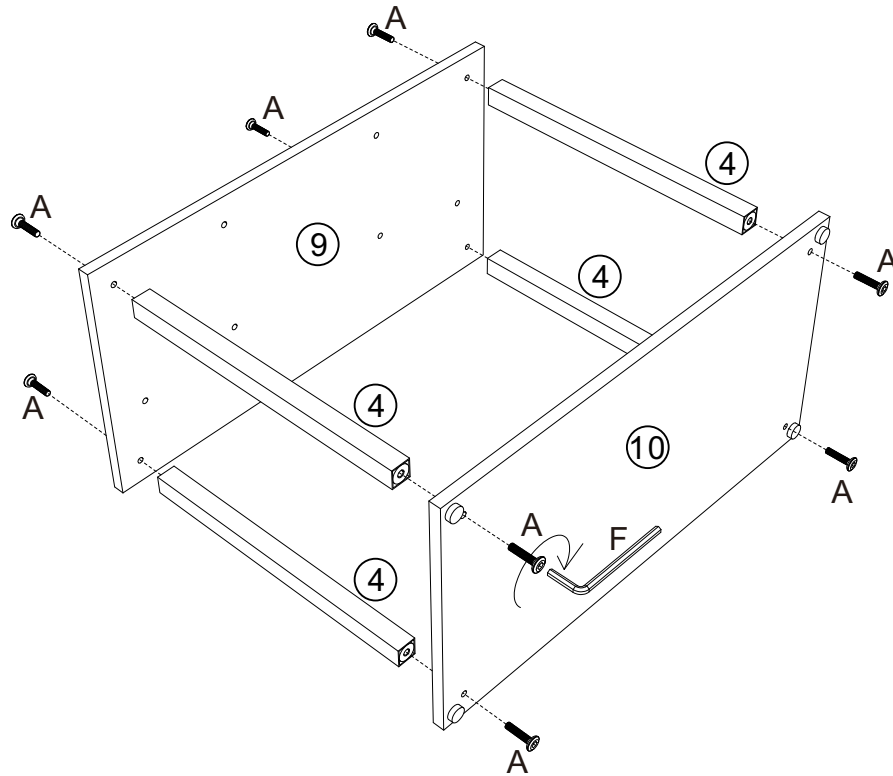
| Ref | DESCRIPTON | Visual | Qty | Ref | DESCRIPTON | Visual | Qty |
|-----|----------------|---|-----|-----|---------------|---|-----|
| ① | Support Frame |  | 1 | ⑥ | Support Panel |  | 1 |
| ② | Support Frame |  | 1 | ⑦ | Support Panel |  | 3 |
| ③ | Connection Rod |  | 2 | ⑧ | Support Panel |  | 1 |
| ④ | Connection Rod |  | 4 | ⑨ | Support Panel |  | 1 |
| ⑤ | Support Panel |  | 3 | ⑩ | Support Panel |  | 1 |

HARDWARE LIST

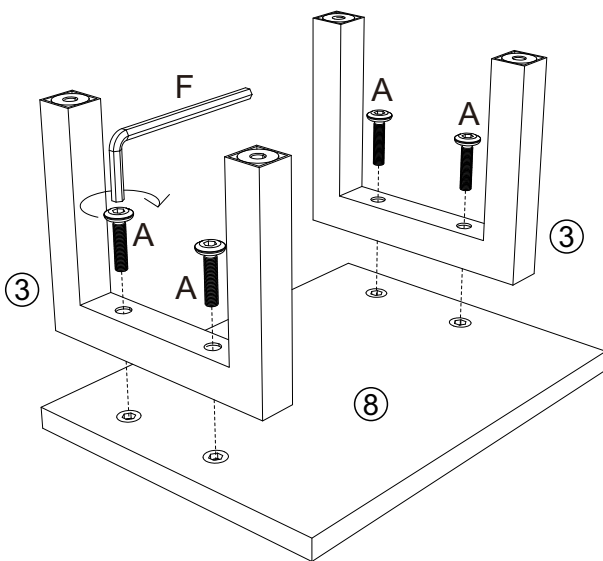
| Ref | DESCRIPTON | Visual | Qty | Spare Qty | Ref | DESCRIPTON | Visual | Qty | Spare Qty |
|-----|--------------------|---|-----|-----------|-----|-------------|---|-----|-----------|
| A | M6x30mm |  | 33 | 3 | F | L Wrench |  | 1 | |
| B | M6x43mm |  | 1 | | G | Wrench |  | 1 | |
| C | M6x50mm |  | 2 | | H | Cable Ties |  | 4 | |
| D | Hanging Loop |  | 1 | | I | Light Strip |  | 1 | |
| E | Anti-tip Tie Strap |  | 1 | | | | | | |

ASSEMBLY INSTRUCTIONS

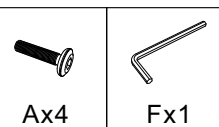
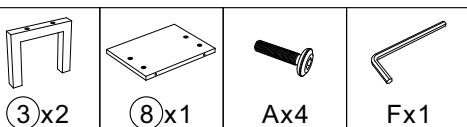
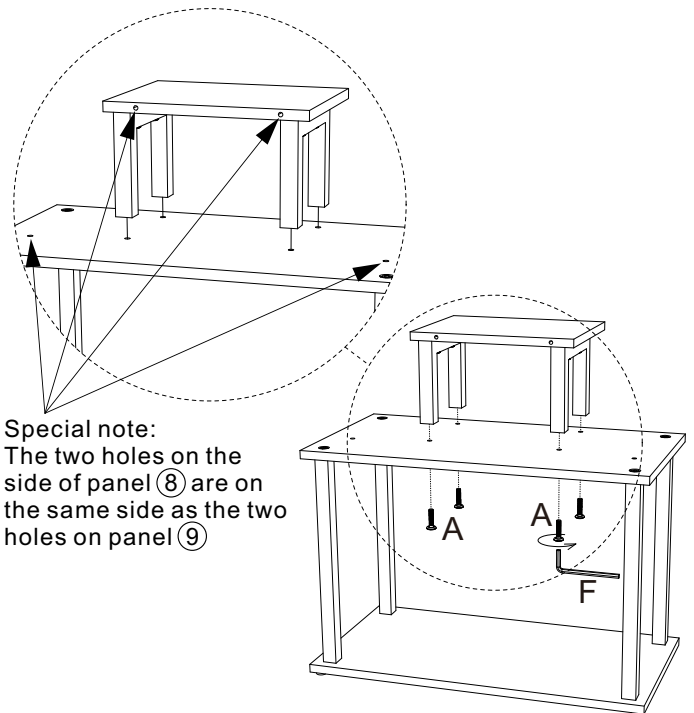
1 Connect support panel ⑩, support panel ⑨, and connection rods ④ by screws (A).



2 Connect connection rods ③ and support panel ⑧ by screws (A).

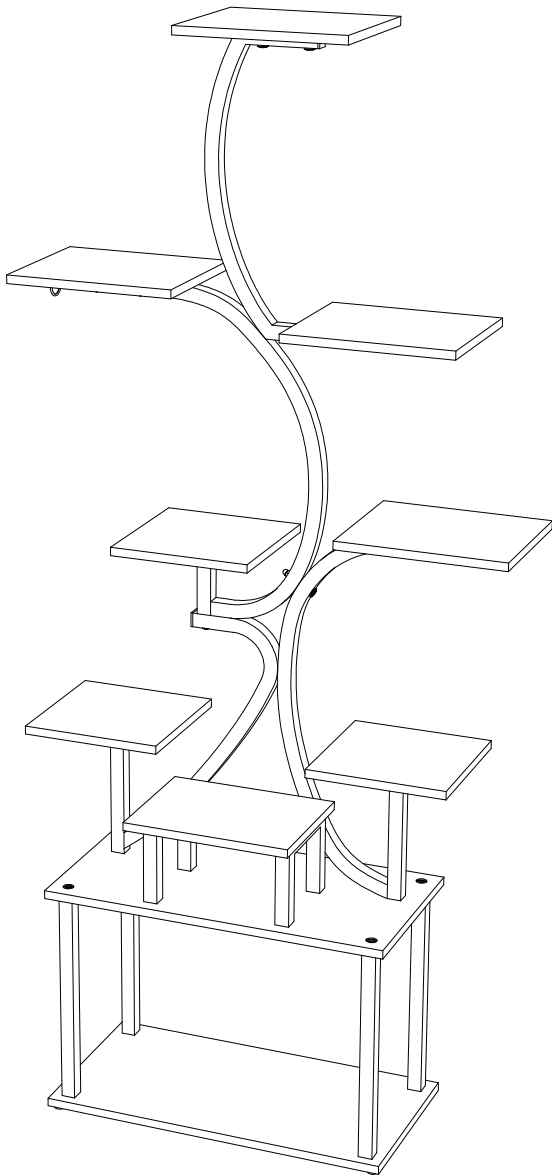


3 Connect connection rods ③ and support panel ⑨ by screws (A).

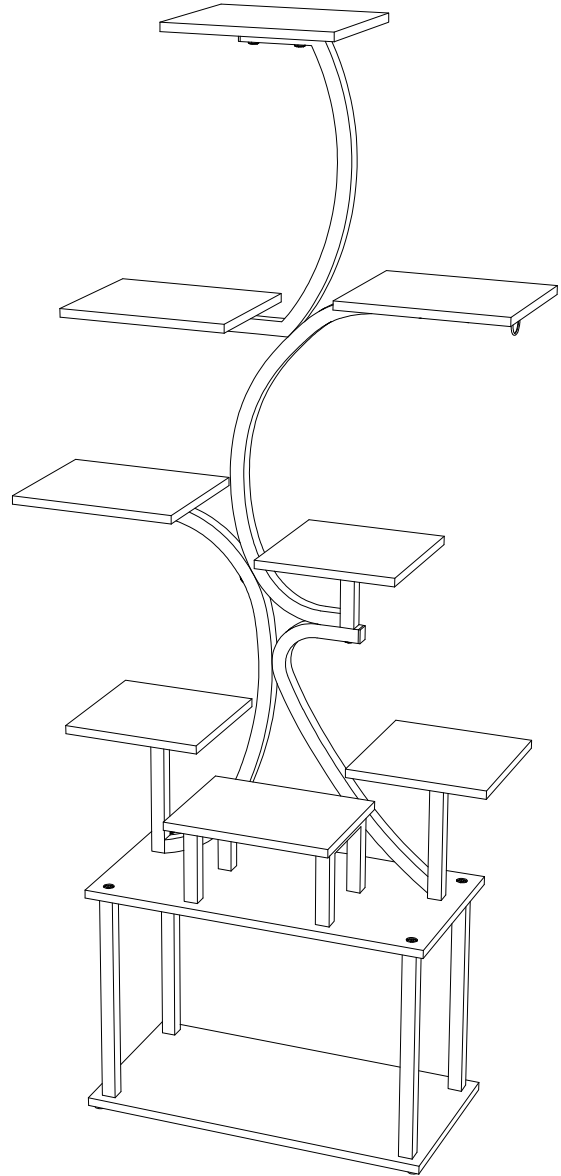


ASSEMBLY INSTRUCTIONS

option I



option II



ASSEMBLY INSTRUCTIONS

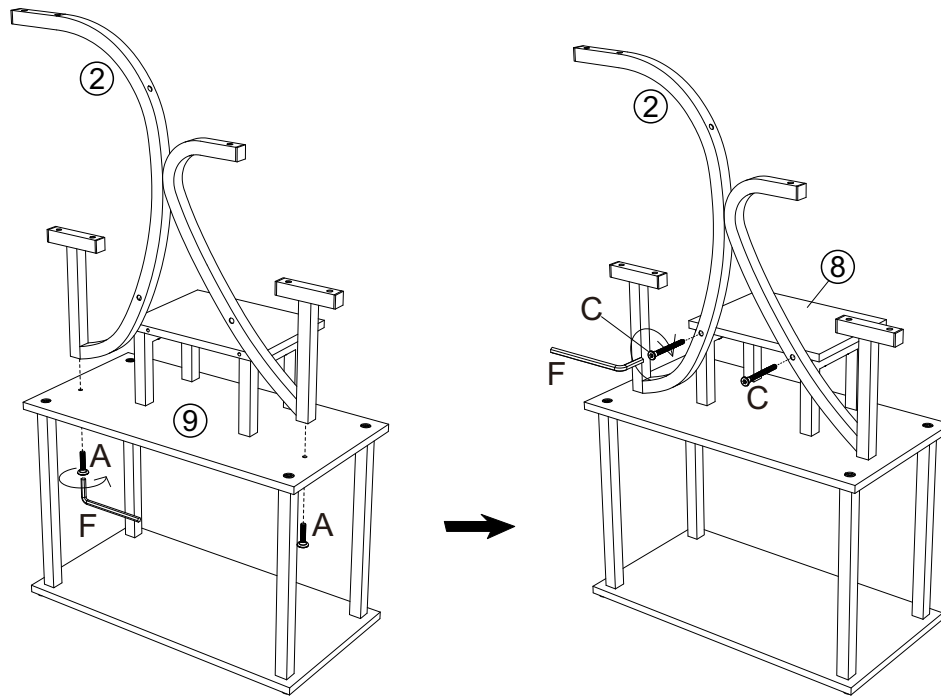
4

The First Assembly Method:

Connect support frame (2) and support panel (9) by screws (A).

Connect support frame (2) and support panel (8) by screws (C).

option I

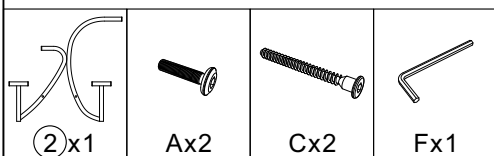
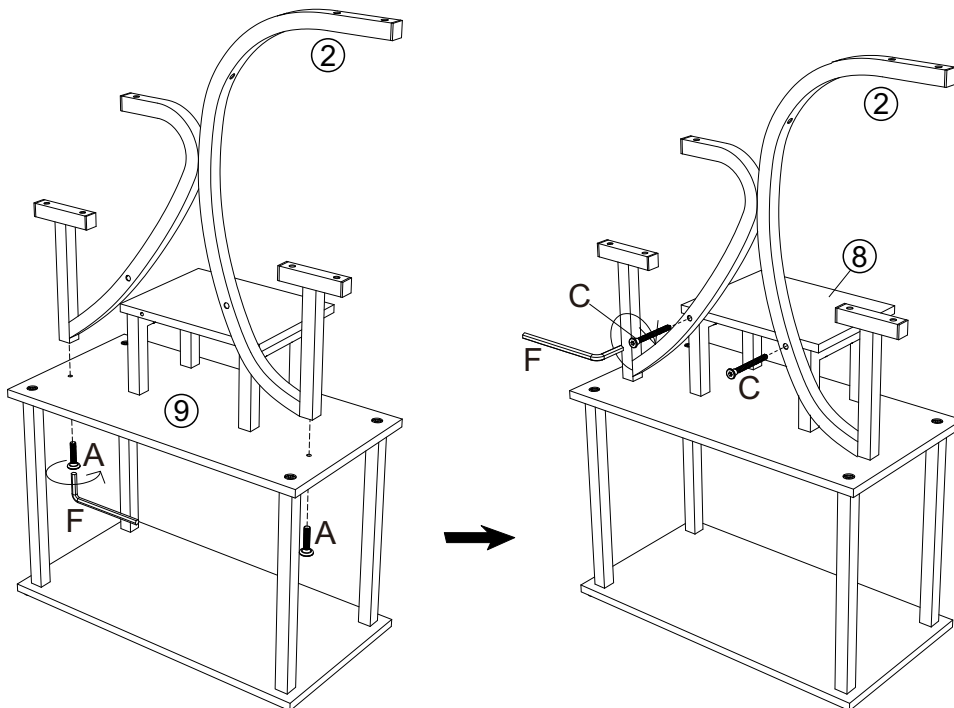


The Second Assembly Method:

Connect support frame (2) and support panel (9) by screws (A).

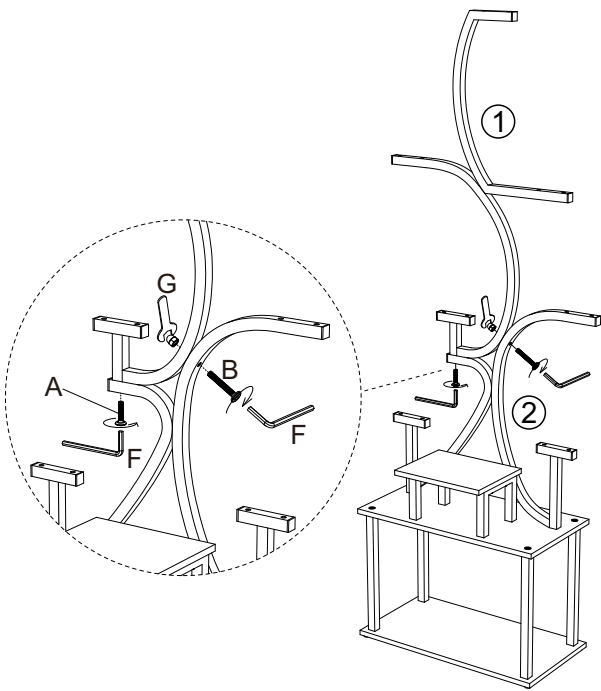
Connect support frame (2) and support panel (8) by screws (C).

option II

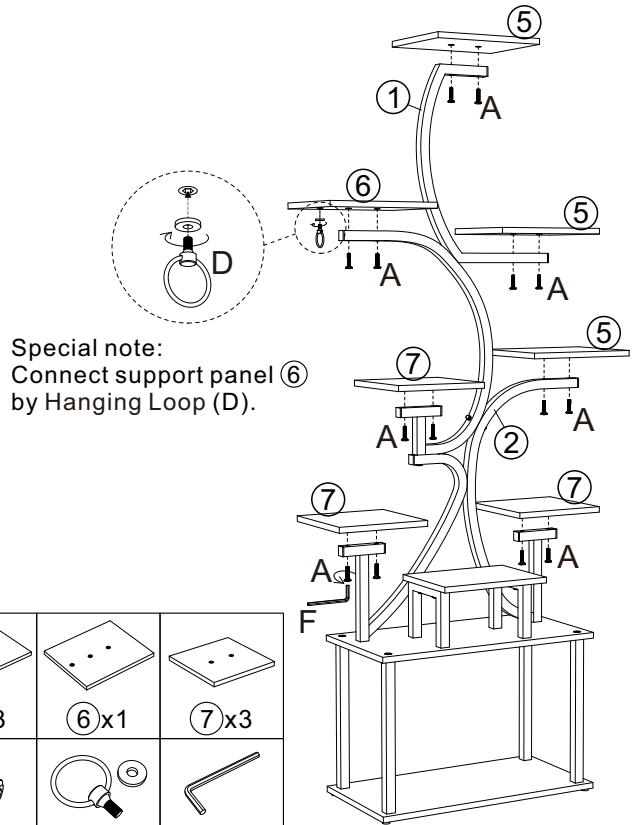


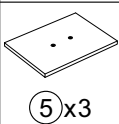
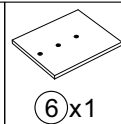
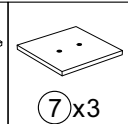

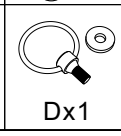
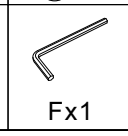
ASSEMBLY INSTRUCTIONS

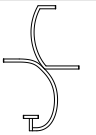
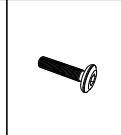
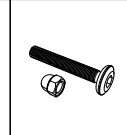
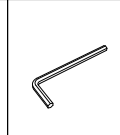
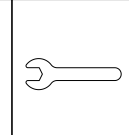
5 Connect support frame ② and support frame ① by screw (A) and screw (B).



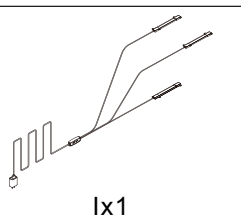
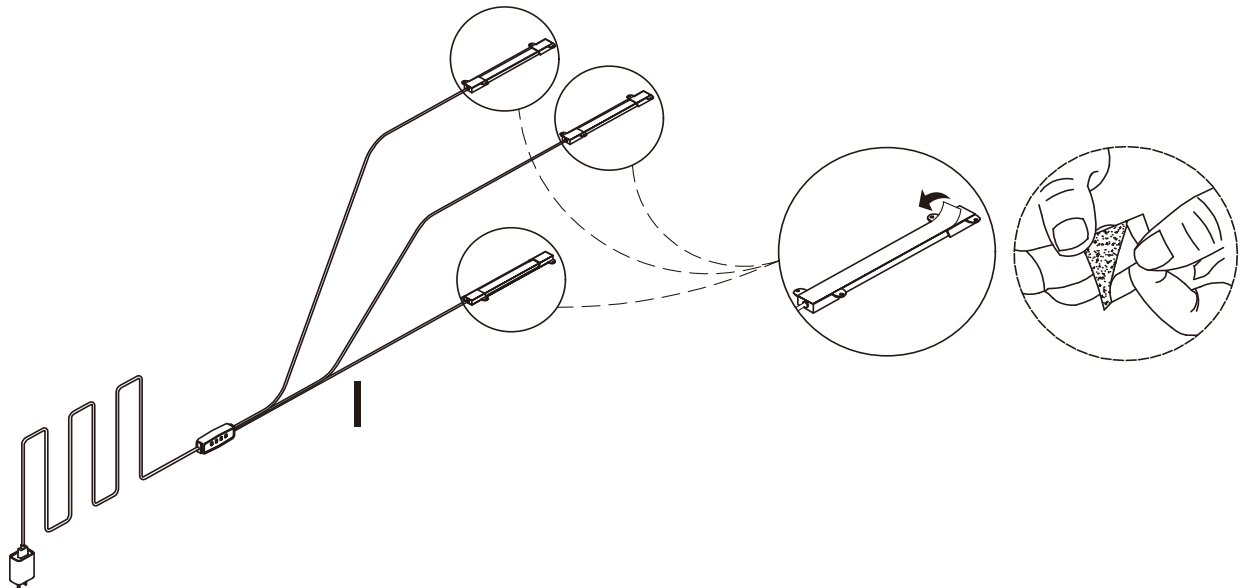
6 Use screws (A) and Hanging Loop (D) to fix support panels ⑥ ⑤ ⑦ to support frame ① ②.



| | | |
|--|---|--|
|  |  |  |
| ⑤x3 | ⑥x1 | ⑦x3 |
|  |  |  |
| Ax14 | Dx1 | Fx1 |

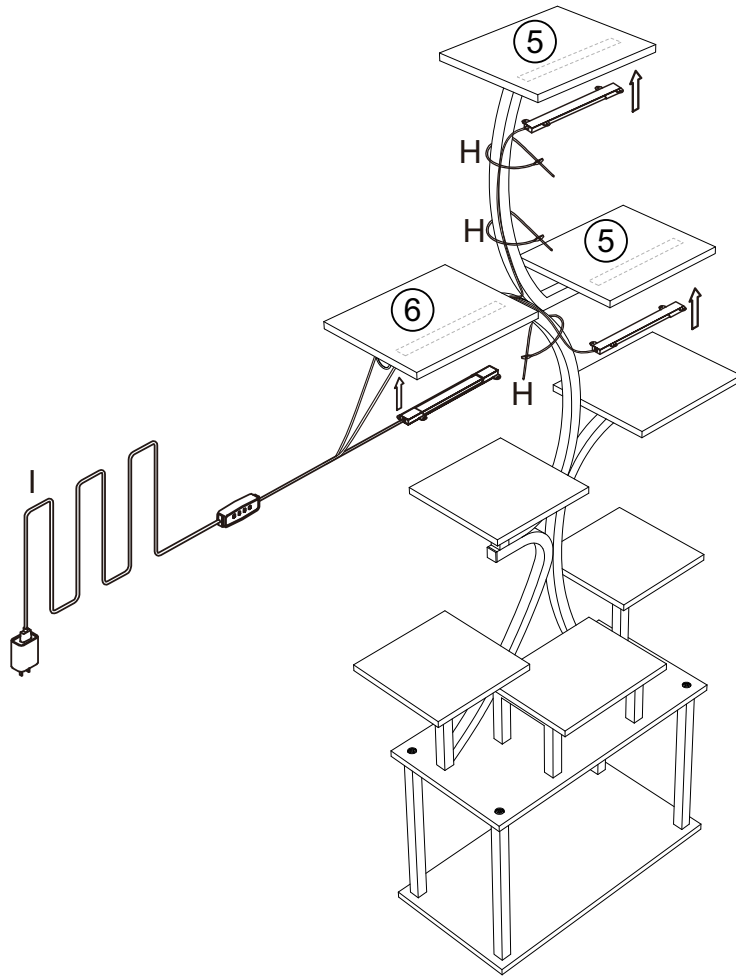
| | | | | |
|---|--|--|--|--|
|  |  |  |  |  |
| ①x1 | Ax1 | Bx1 | Fx1 | Gx1 |

7



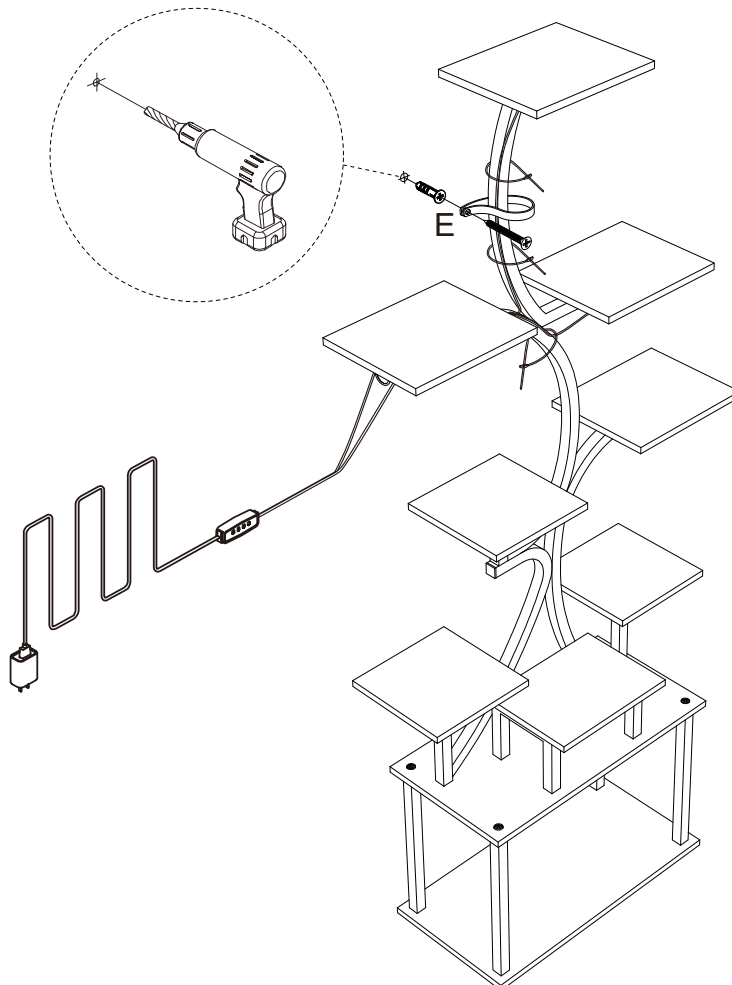
ASSEMBLY INSTRUCTIONS

8



Hx4

9



Ex1