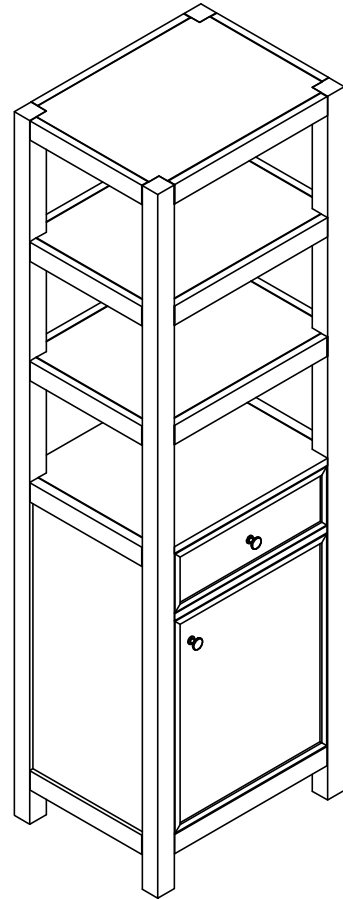


Bathroom Linen Towers

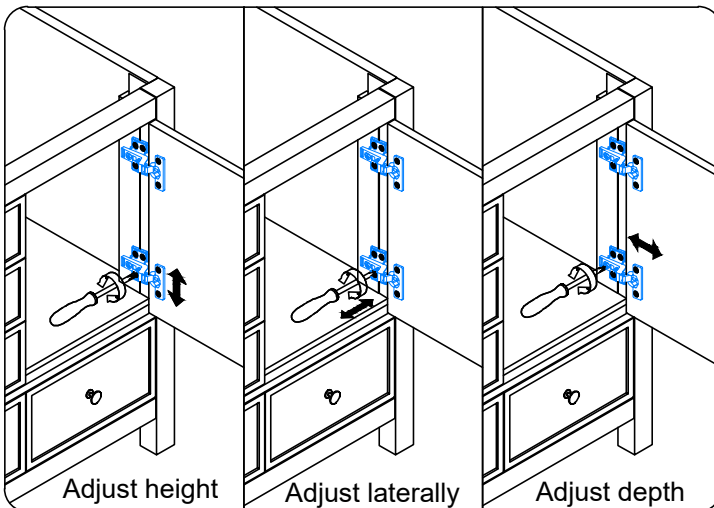
- Prior to installation please check received items against the “Packing List”.

Please report any missing items to your retailer immediately.

- Protect all surfaces from sharp objects, high heat sources, direct prolonged sunlight and chemical hazards.
- Professional installation recommended.
- Install on a level surface



HOW TO ADJUST HINGES (if required)



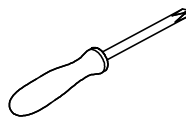
REQUIRED TOOLS NOT IN BOX



Electric Drill







Pencil



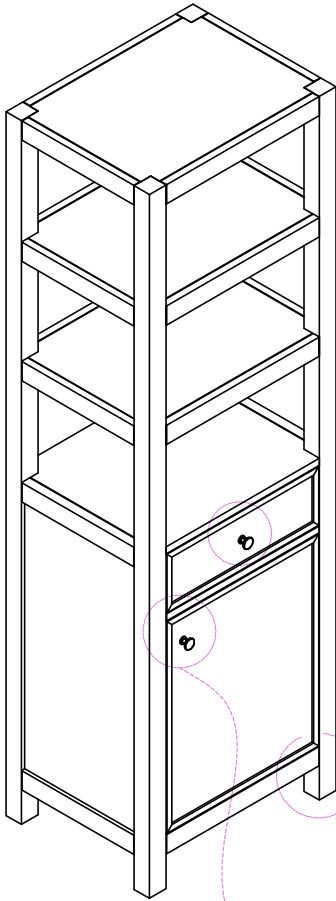
Phillips Screwdriver

Hardware Package List

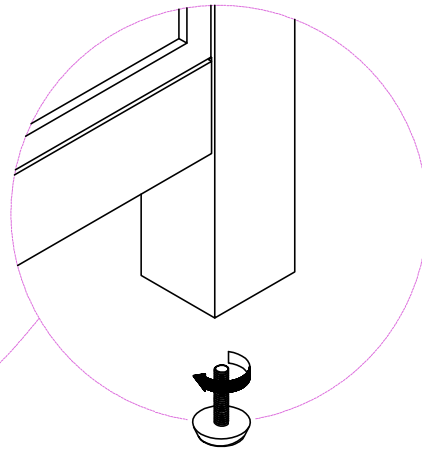
Bracket	Screws #5*40	Screws #4*16	Anchors
2	2	2	2
			

YD03-20
Installation Guide

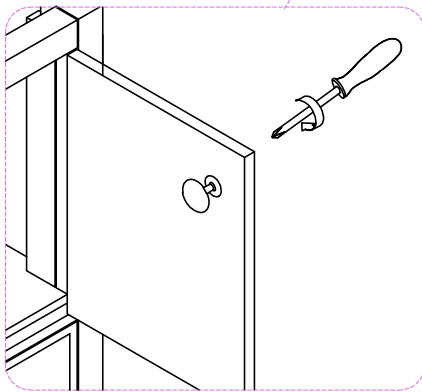
Bathroom Linen Towers



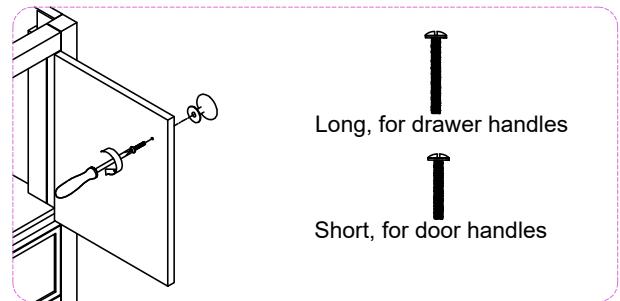
1- ATTACH BASE CABINET TO WALL
Place cabinet in desired location and determine where the wall studs are. Adjust the feet if needed.



2 - SET HANDLES
The pull handle is installed inside the door and drawer. Need to dismantle it first.



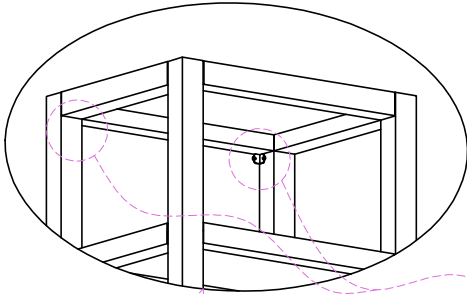
3 - SET HANDLES
Unpack the handles and install them on the vanity. Do not over tighten when attaching. Short screws are for the door handles and long screws are for the drawer handles.



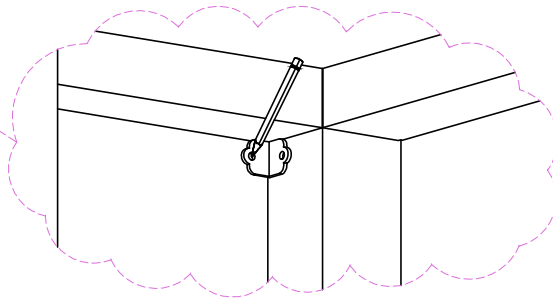
Bathroom Linen Towers

4 - Installation of the Anti-tip Device/Restraint

Failure to secure tall cabinets with the anti-tip device/kit may result in a serious risk of falling!



4 .1- Position the cabinet against the wall, and mark the anti-tip mounting hole locations through the top of the two wall-side feet, referencing the figure.



4 .2- Follow the steps shown until installation is complete.

