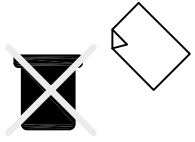


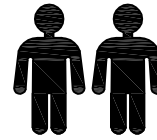
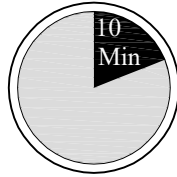
HINTS & TIPS



Assembly Instruction

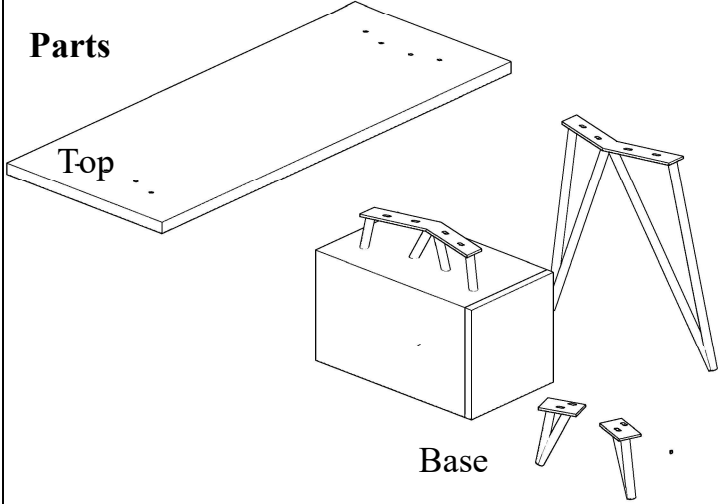



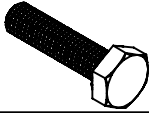
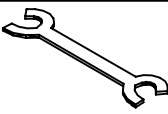
Please retain this assembly instruction for future use.



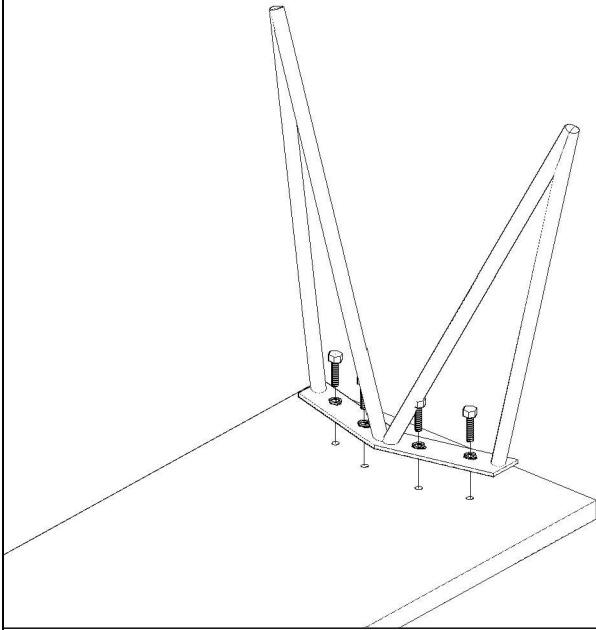
This assembly requires two people

Parts

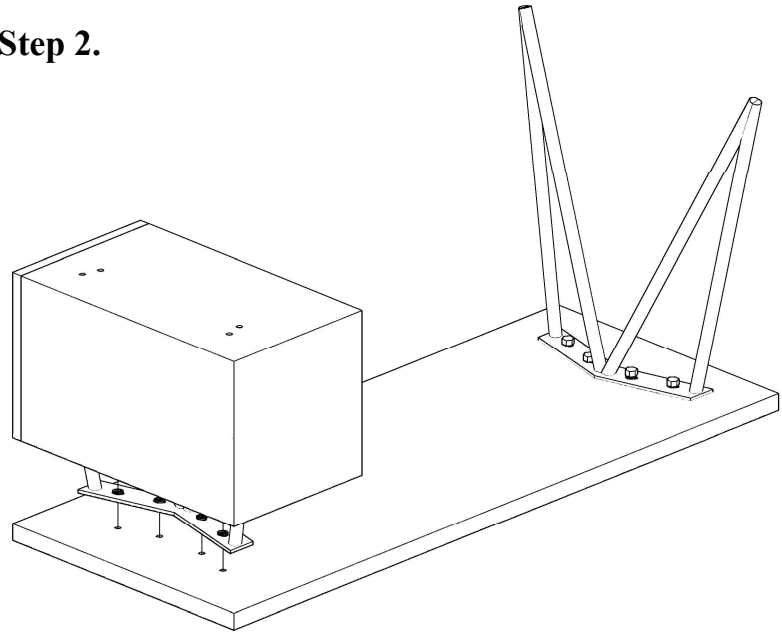


Code	Description	Qty
1	 Flat Washer	12
2	 Bolt	12
3	 Wrench	01

Step 1.



Step 2.



Step 3.

