

ASSEMBLY INSTRUCTION

Thank you for purchasing this quality product. Be sure to check all packing material carefully for small parts which may have come loose inside the carton during shipment. Separate, identify and count all parts and hardware. Compare with the parts list to be sure all parts are present.

IMPORTANT : PLEASE READ INSTRUCTION BEFORE STARTING THE ASSEMBLY.

"DO NOT TIGHTEN SCREWS UNTIL COMPLETELY ASSEMBLED"

"DO NOT OVERTIGHT ANY HARDWARE"

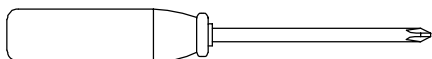
WARNING : SMALL PARTS AND HARDWARE NOT FOR CHILDREN UNDER 3 YEARS. ADULT ASSEMBLY REQUIRED.

TABLE OF CONTENTS

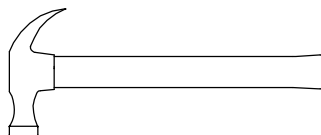
HARDWARES LIST	PAGE 2 - 3
PARTS LIST	PAGE 4 - 5
PARTS' LOCATION	PAGE 6
PRECAUTIONS FOR ASSEMBLING DRAWER SLIDE	PAGE 7
ASSEMBLY STEPS	PAGE 8 - 21
ASSEMBLY COMPLETED	PAGE 21

ASSEMBLY TOOLS REQUIRED

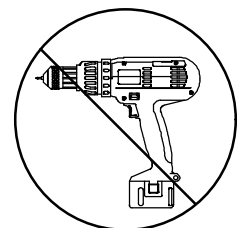
1. Screwdriver (not provide)



2. Hammer (not provide)



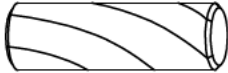








Skip the power trip this time.



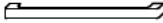

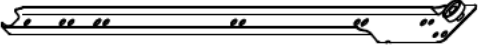
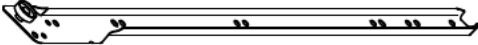


ASSEMBLY INSTRUCTION

HARDWARES LIST

ITEM	DESCRIPTION	DRAWING	QTY
A	MINIFIX CAM LOCK		27 PCS
B	MINIFIX CAM BOLT		27 PCS
C	WOOD DOWEL (M8 x 25MM)		18 PCS
D	WOOD DOWEL (M6 x 25MM)		16 PCS
E	JCBC SCREW M6 x 35MM		4 PCS
F	SPRING WASHER M6 x 13MM		4 PCS
G	FLAT WASHER M6 x 19MM		4 PCS
I	TRUSS M-SCREW (20MM)		4 PCS
L	6/8" NAIL		16 PCS

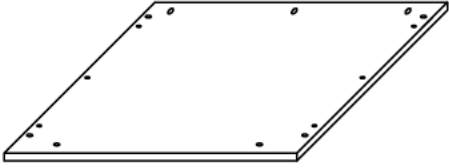
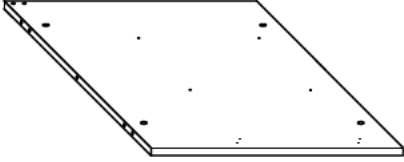
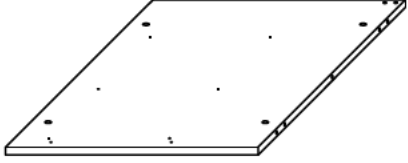
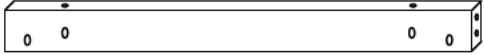

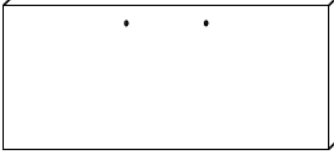
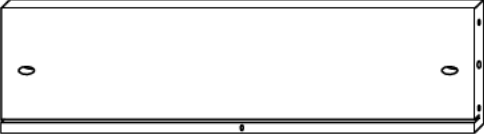


ASSEMBLY INSTRUCTION

HARDWARES LIST

ITEM	DESCRIPTION	DRAWING	QTY
M	HANDLE		2 PCS
N	M4 ALLEN KEY (65MM)		1 PC
O	LEFT DRAWER SLIDE		2 PCS
P	RIGHT DRAWER SLIDE		2 PCS
Q	CSK SCREW M3 x 10mm		16 PCS
R	PLASTIC STRIP (H SHAPE)		1 PC

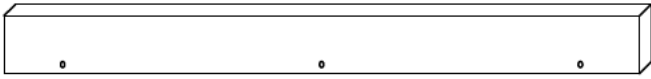
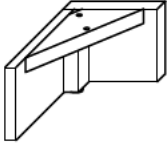
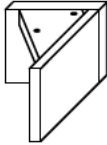
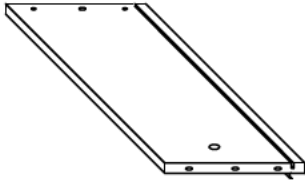
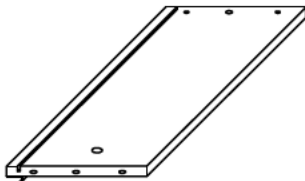
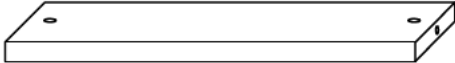
ASSEMBLY INSTRUCTION

PARTS LIST

ITEM	DESCRIPTION	DRAWING	QTY
N1	TOP PANEL		1 PC
N2	LEFT PANEL		1 PC
N3	RIGHT PANEL		1 PC
N4	TOP SUPPORT RAIL		1 PC
N6	BACK PANEL		2 PCS
N7	DRAWER HEAD		2 PCS
N8	DRAWER BACK PANEL		2 PCS
N9	DRAWER BOTTOM PANEL		2 PCS
N10	BOTTOM PANEL		1 PC

ASSEMBLY INSTRUCTION

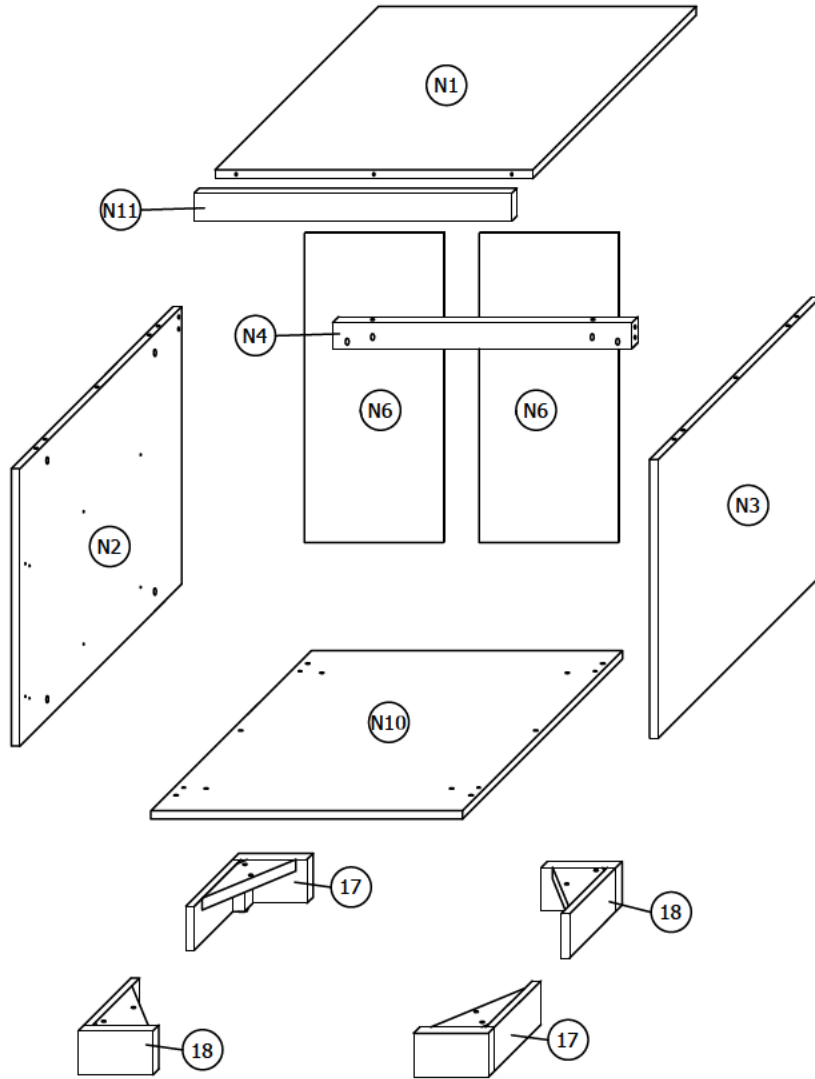
PARTS LIST

ITEM	DESCRIPTION	DRAWING	QTY
N11	TOP FRAME		1 PC
17	LEG (i)		2 PCS
18	LEG (ii)		2 PCS
19	DRAWER LEFT PANEL		2 PCS
20	DRAWER RIGHT PANEL		2 PCS
21	DRAWER BOTTOM SUPPORT RAIL		2 PCS

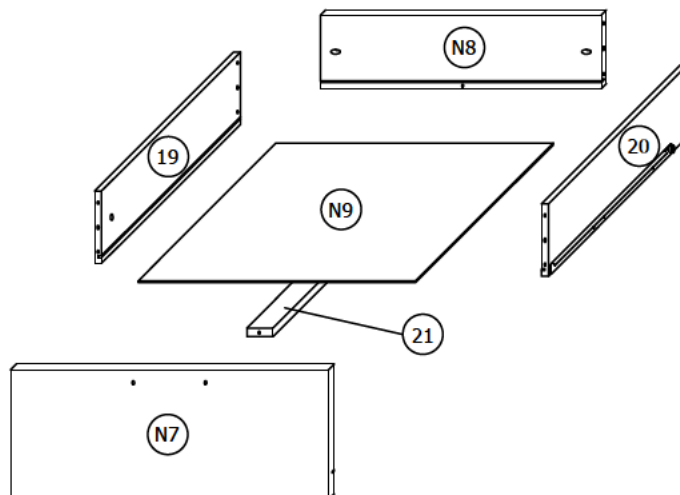
ASSEMBLY INSTRUCTION

PARTS ' LOCATION

NIGHTSTAND x 1 PC



DRAWER x 2 PCS

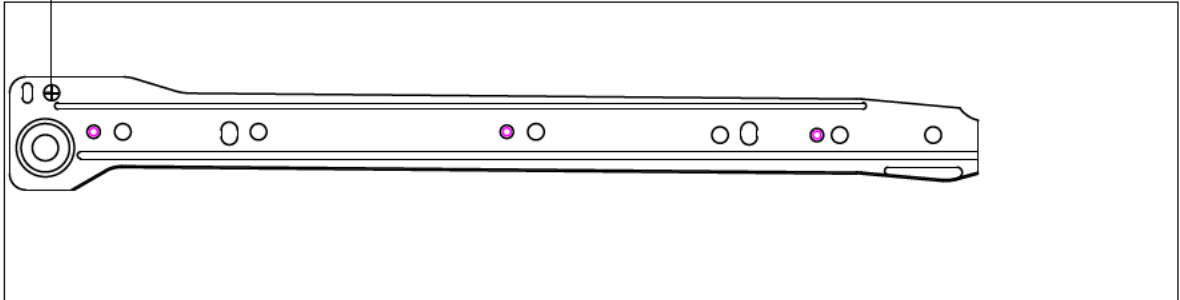


ASSEMBLY INSTRUCTION

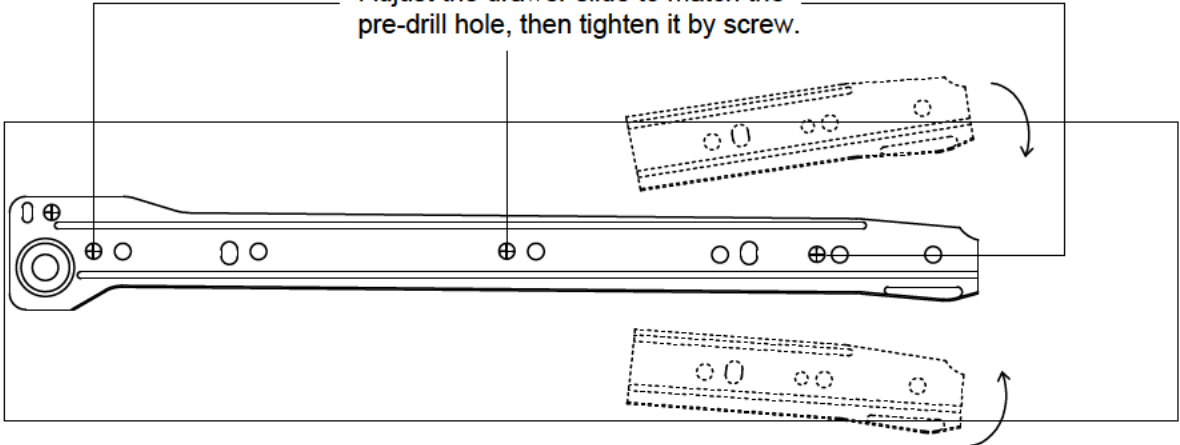
PRECAUTIONS FOR ASSEMBLING DRAWER SLIDE

FOR ITEM (O) and (P) - STEP 1 and 2

Align the hole then insert screw and tight this hole first.



Adjust the drawer slide to match the pre-drill hole, then tighten it by screw.



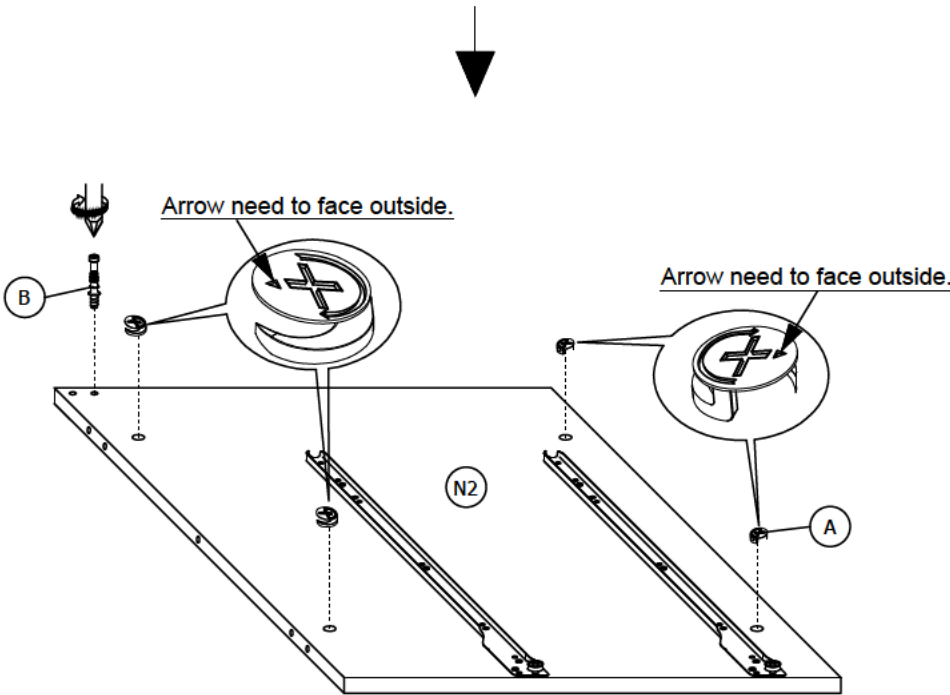
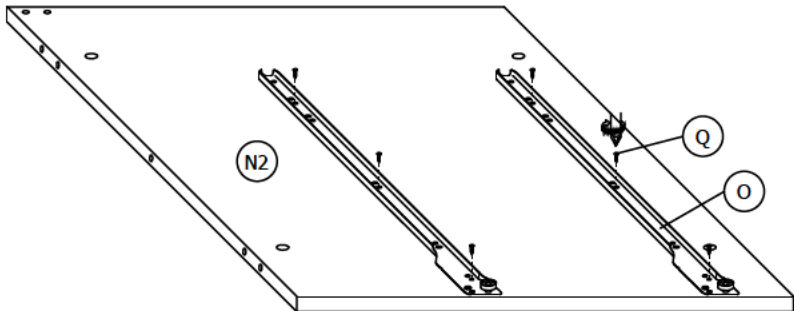
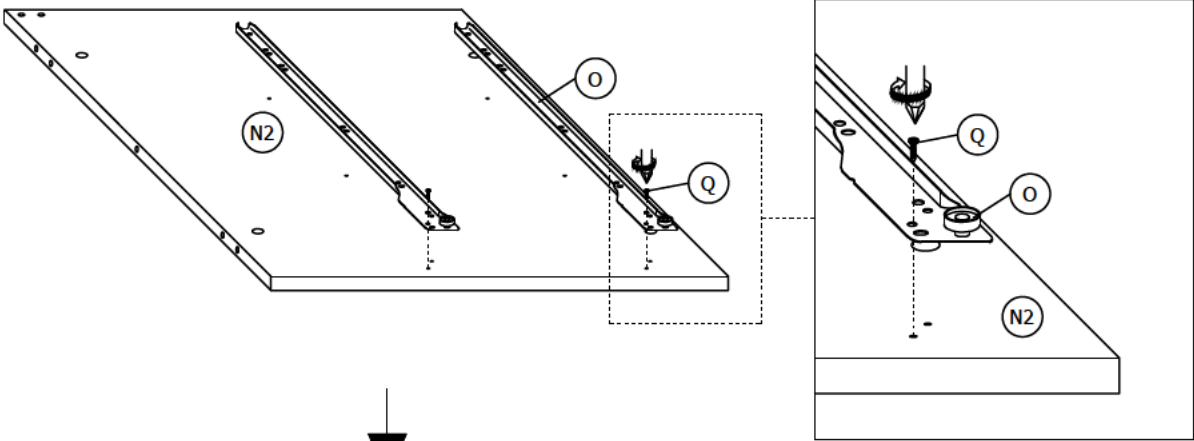
ASSEMBLY INSTRUCTION

ASSEMBLY STEPS

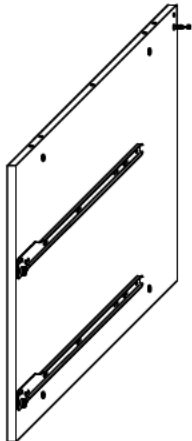
STEP 1

Fix the 2 pieces (O) to the (N2) by using 8 pieces (Q). Then insert 4 pieces (A) and 1 piece (B) as shown.

Attention : Follow the instructions in previous page to assembly (O).



Assembled become like this

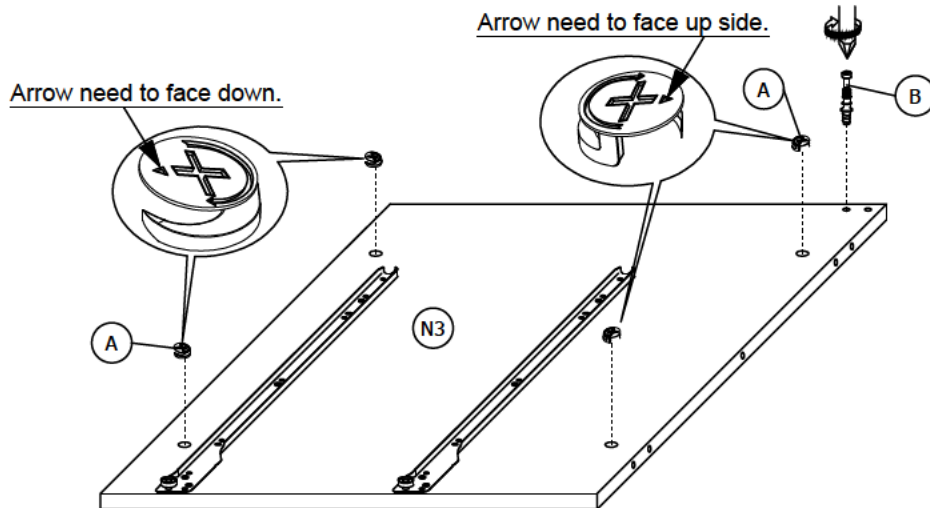
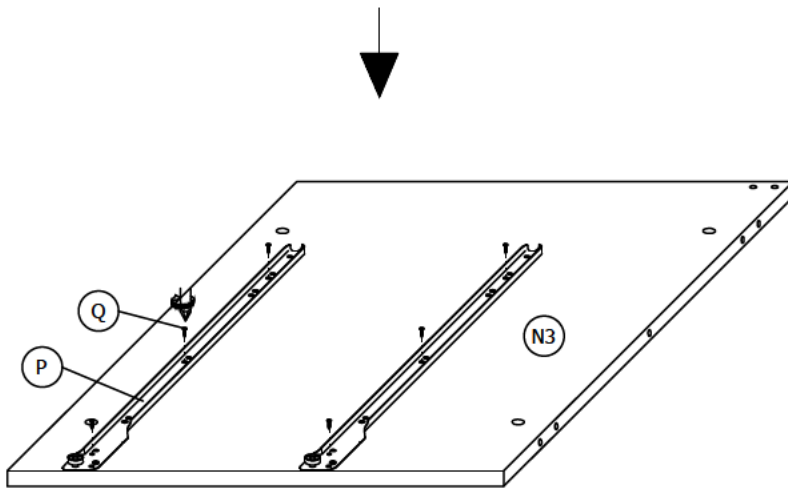
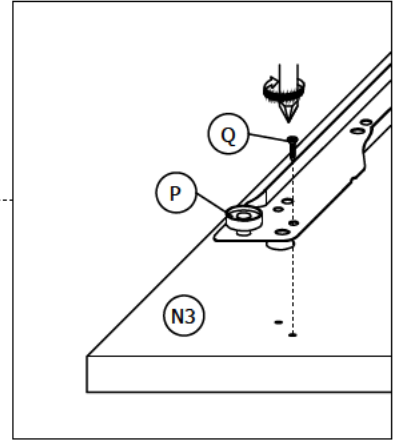
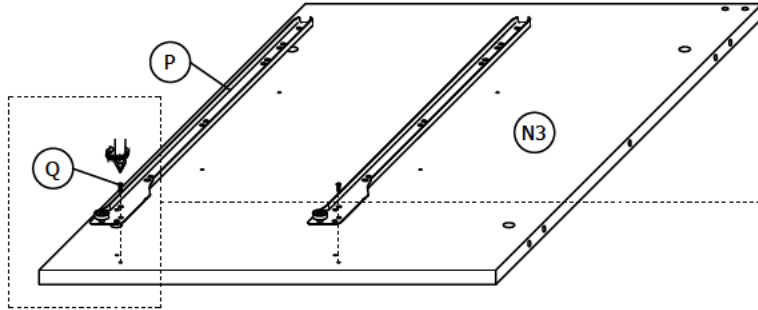


ASSEMBLY INSTRUCTION

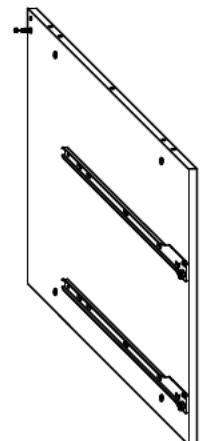
STEP 2

Fix the 2 pieces (P) to the (N3) by using the remaining 8 pieces (Q). Then insert 4 pieces (A) and 1 piece (B) as shown.

Attention : Follow the instructions in page 7 to assembly (P).



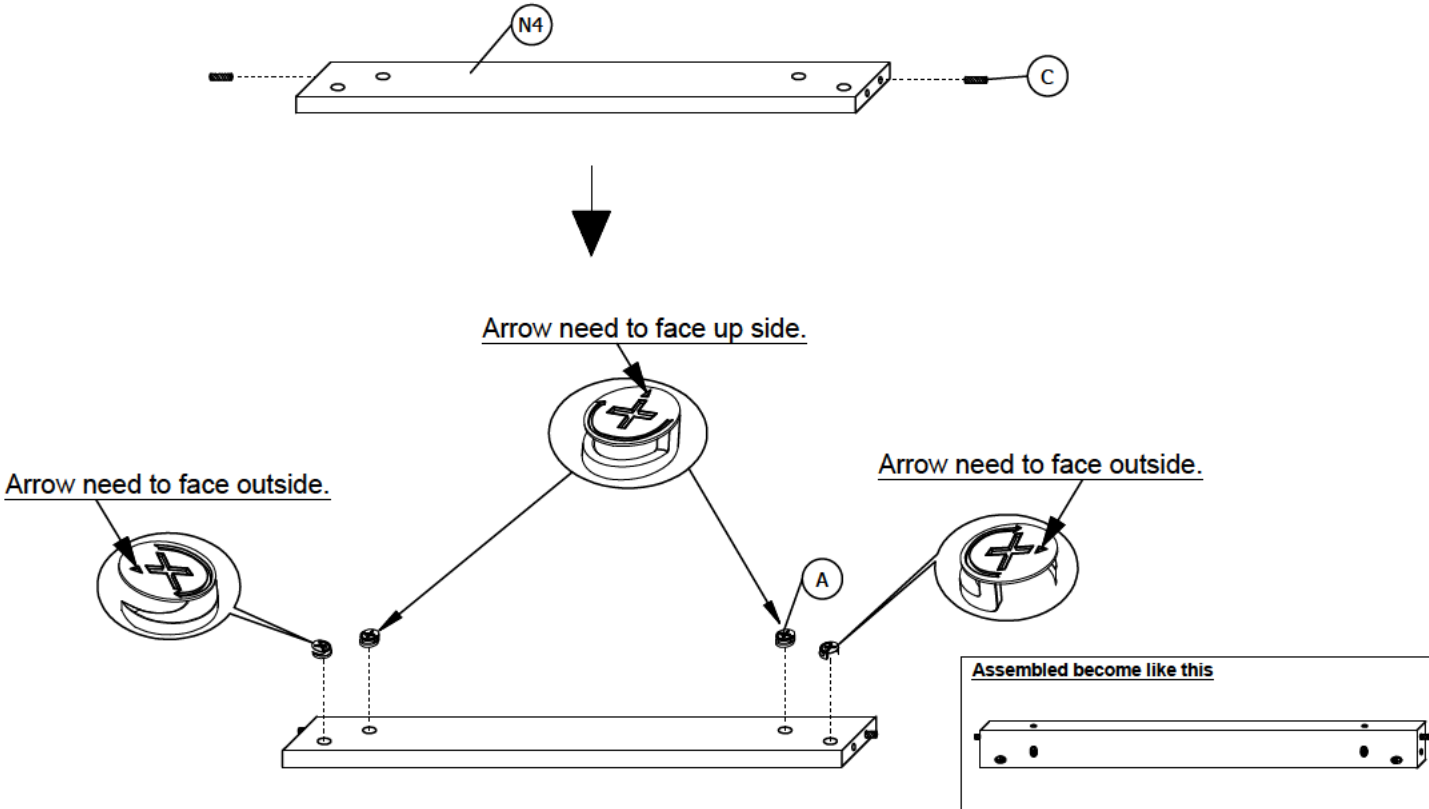
Assembled become like this



ASSEMBLY INSTRUCTION

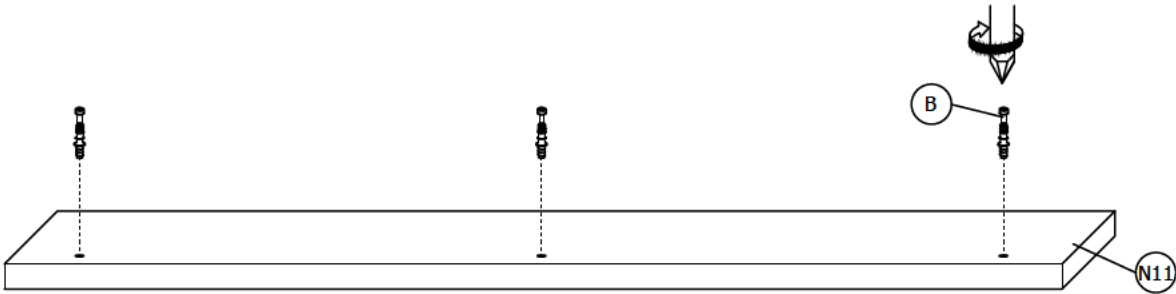
STEP 3

Insert 4 pieces (A) and 2 pieces (C) to the (N4) as shown.



STEP 4

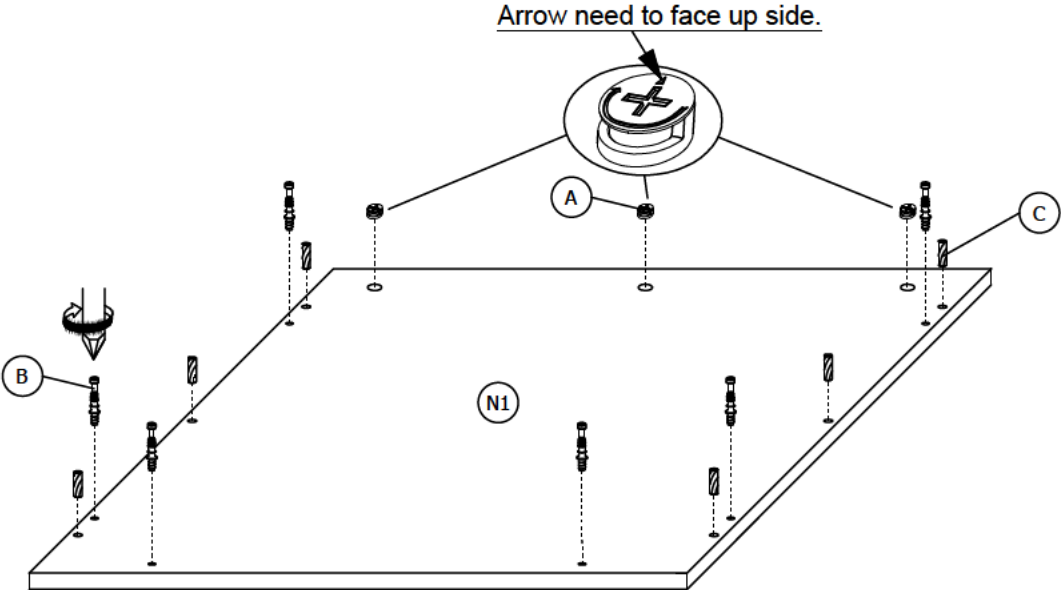
Insert 3 pieces (B) to the (N11) as shown.



ASSEMBLY INSTRUCTION

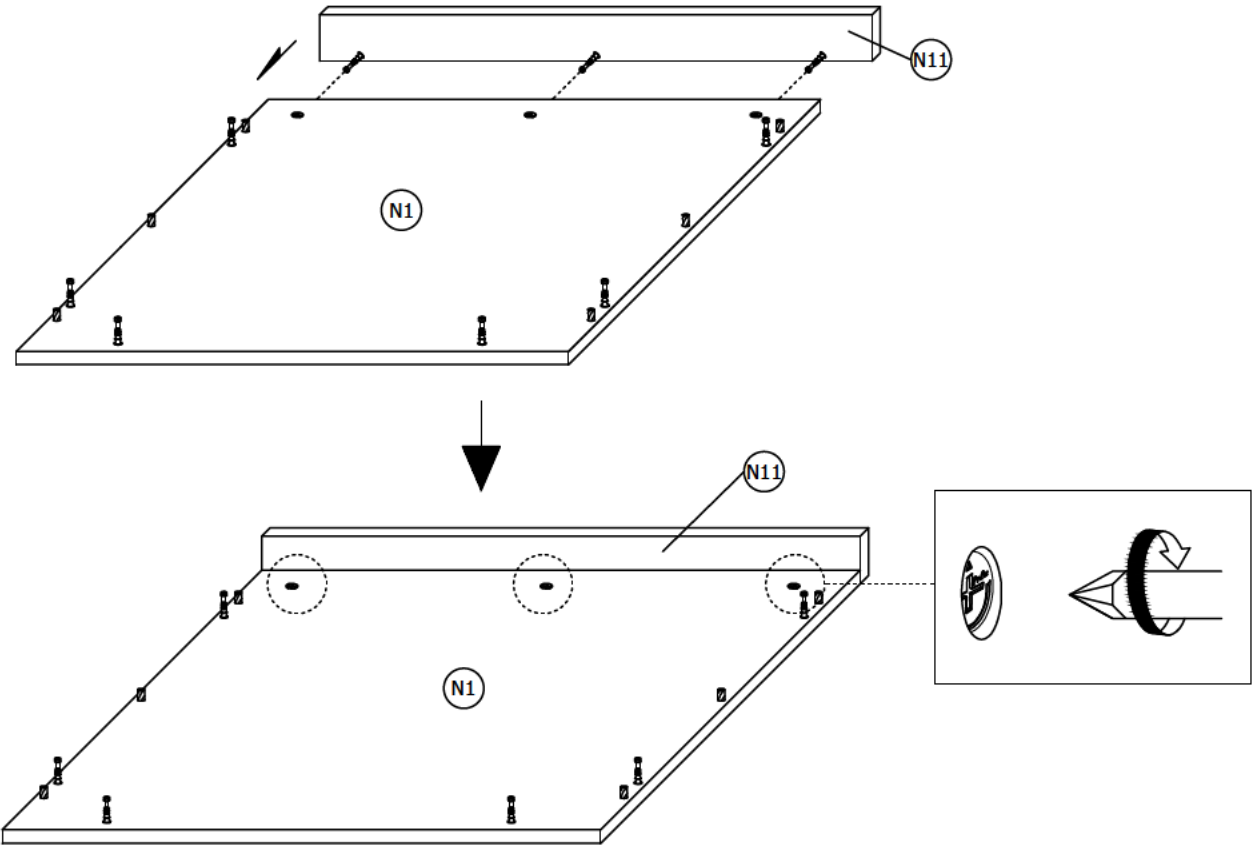
STEP 5

Insert 3 pieces (A), 6 pieces (B) and (C) to the (N1) as shown.



STEP 6

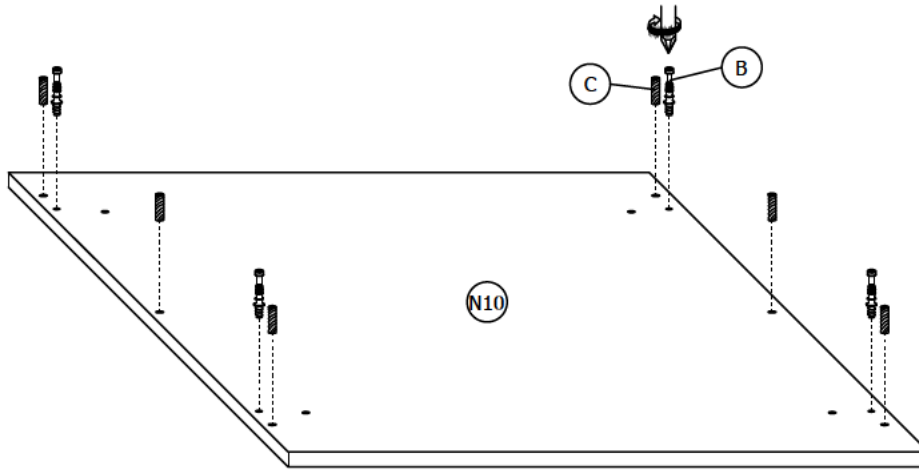
Combine the (N1) and (N11) then tighten the 3 pieces (A)-(pre insert in previous step) as shown.



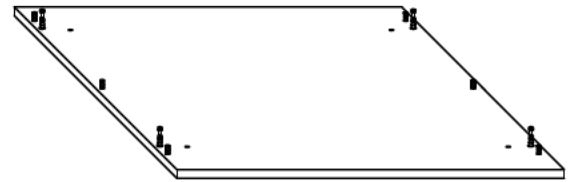
ASSEMBLY INSTRUCTION

STEP 7

Insert 4 pieces (B) and 6 pieces (C) to the (N10) as shown.

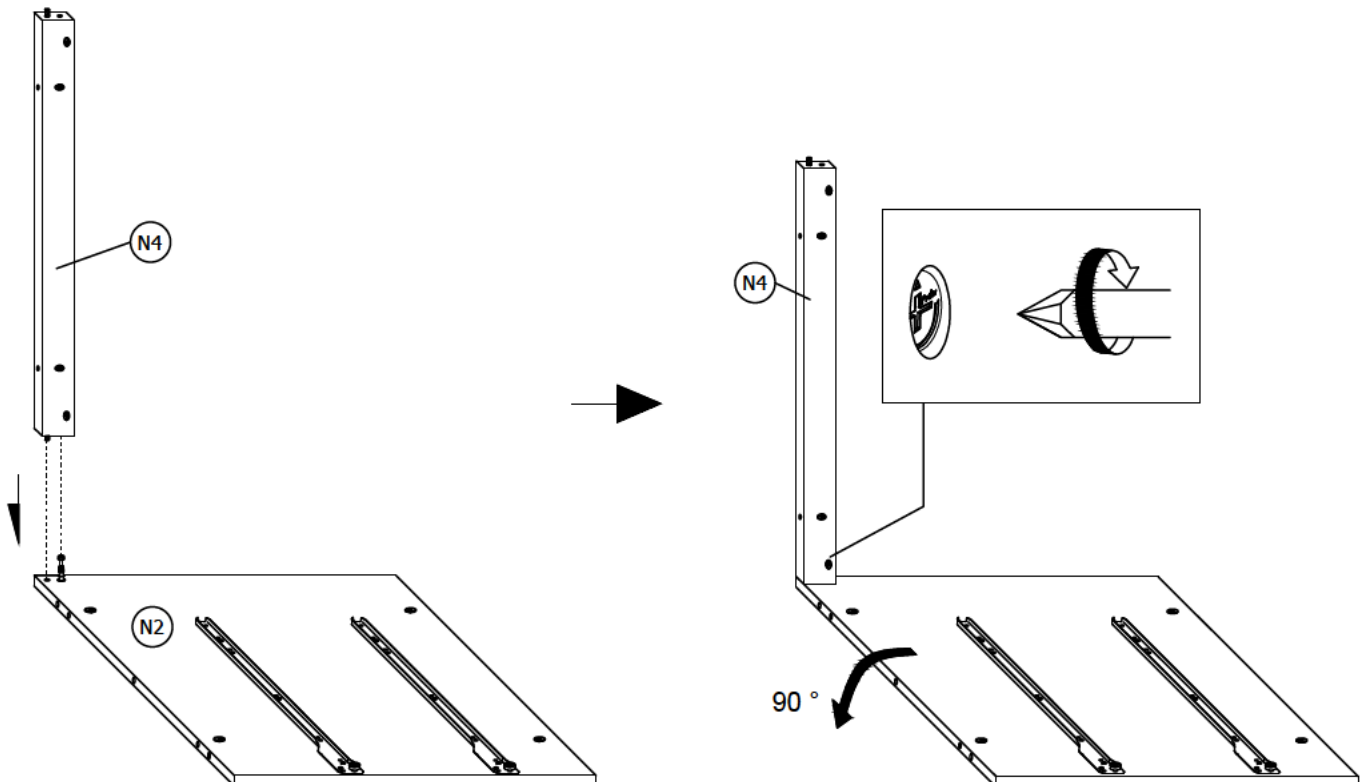


Assembled become like this



STEP 8

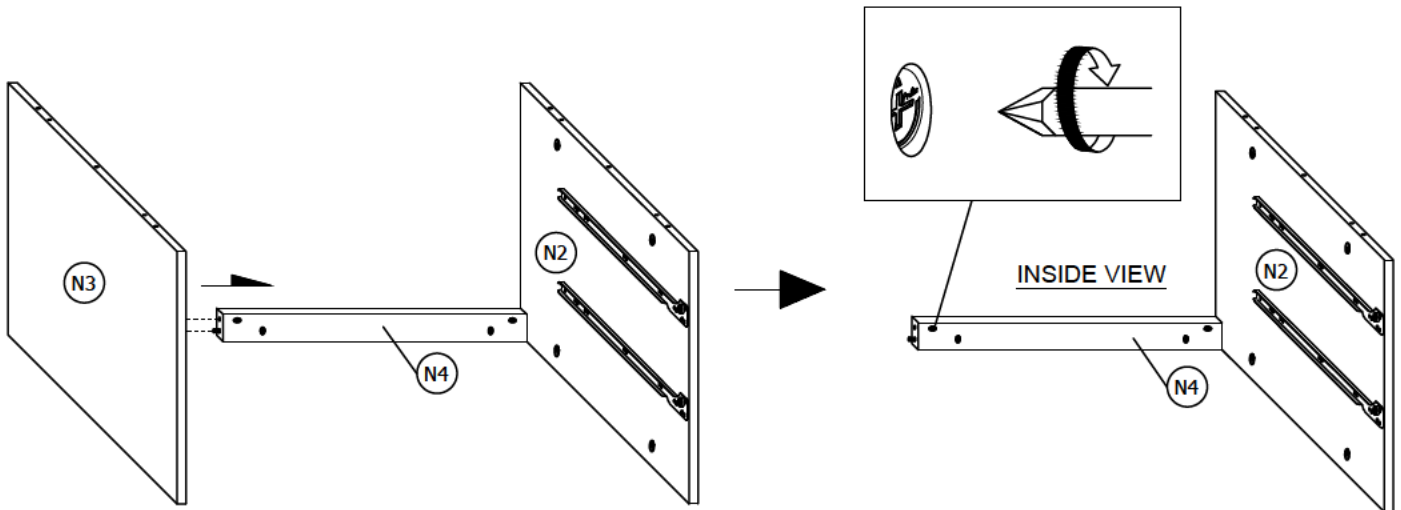
Combine the (N4) to the (N2) and tighten the 1 piece (A)-(pre insert in step 3) as shown.



ASSEMBLY INSTRUCTION

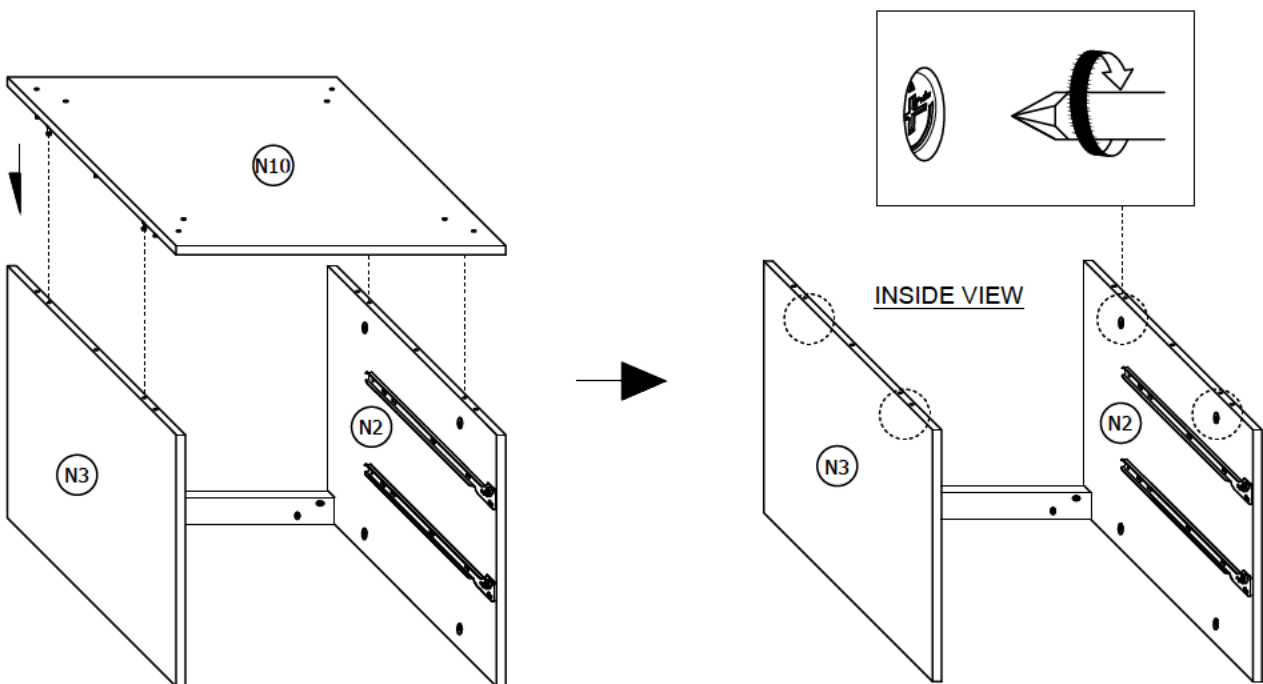
STEP 9

Combine the (N3) to the (N4) and tighten the another 1 piece (A)-(pre insert in step 3) as shown.



STEP 10

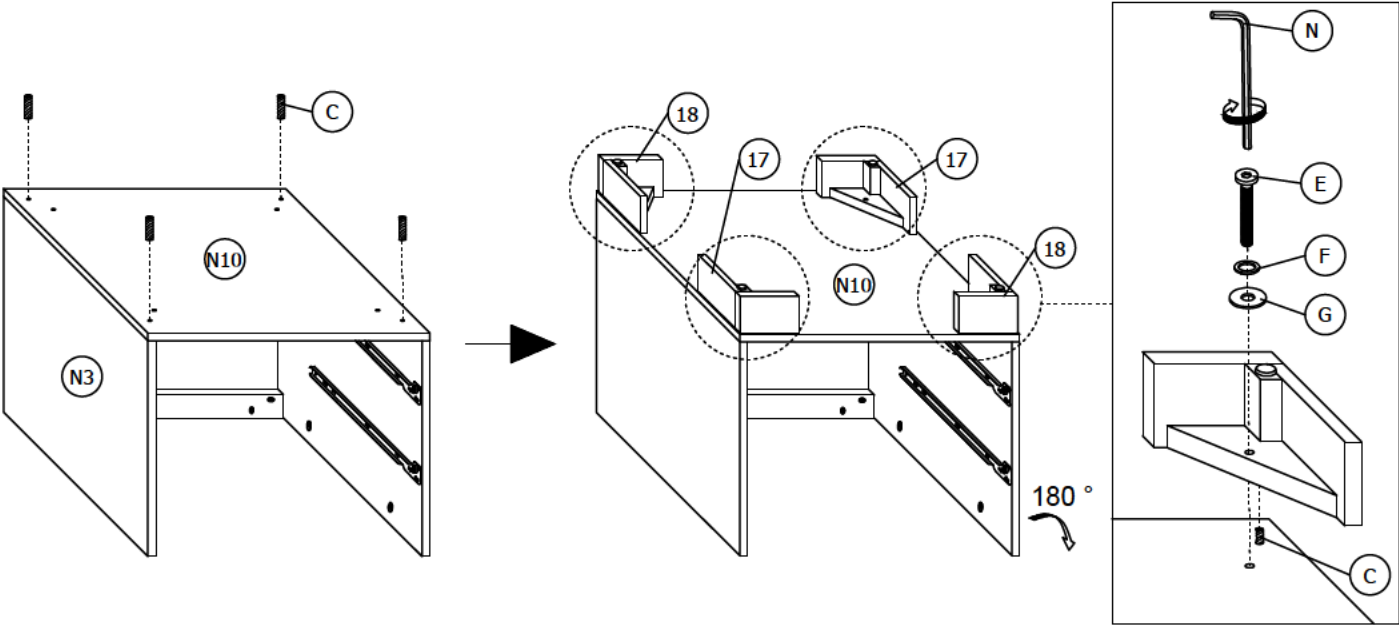
Combine the (N10) to the (N2) and (N3) then tighten the 4 pieces (A)-(pre insert in step 1 and 2) as shown.



NS ASSEMBLY INSTRUCTION

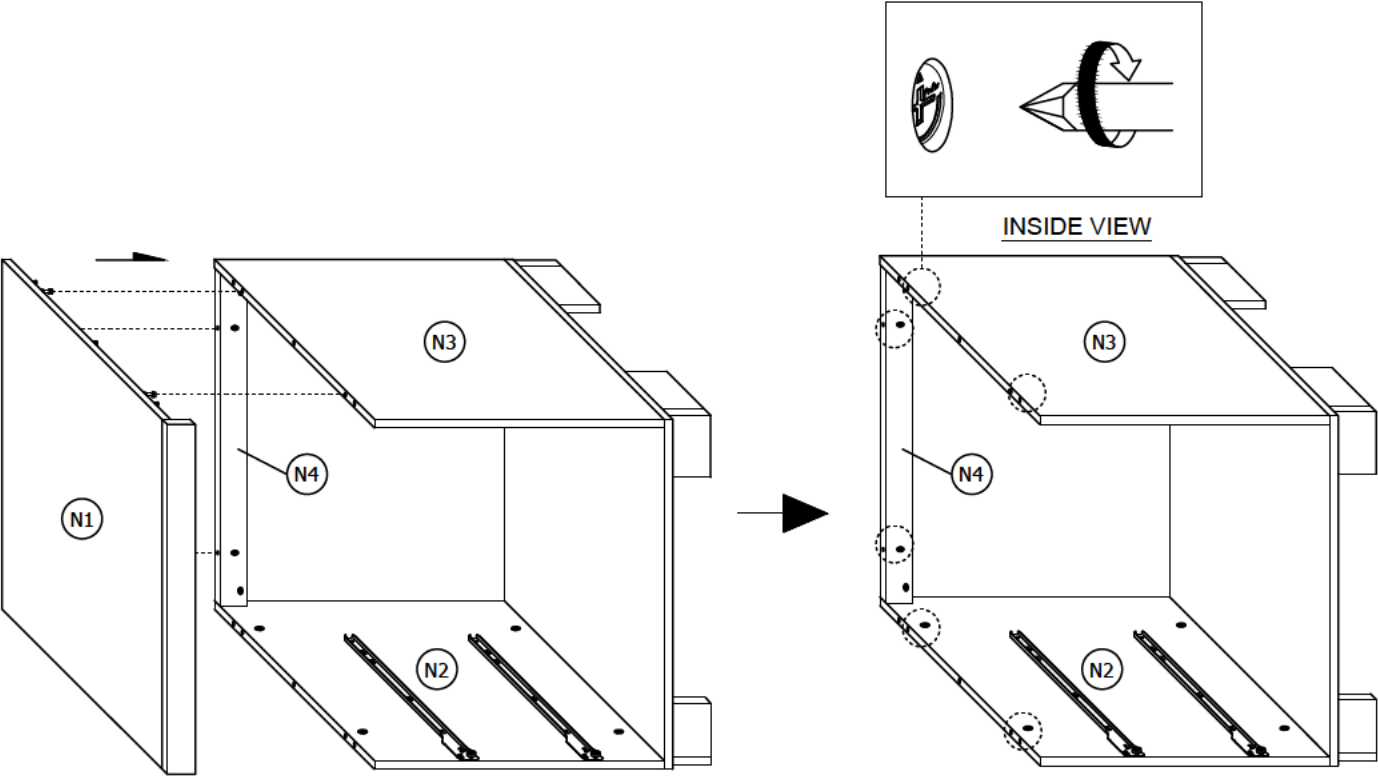
STEP 11

Insert 4 pieces (C),(E),(F) and (G) to combine the (17) and (18) to the (N10) as shown.



STEP 12

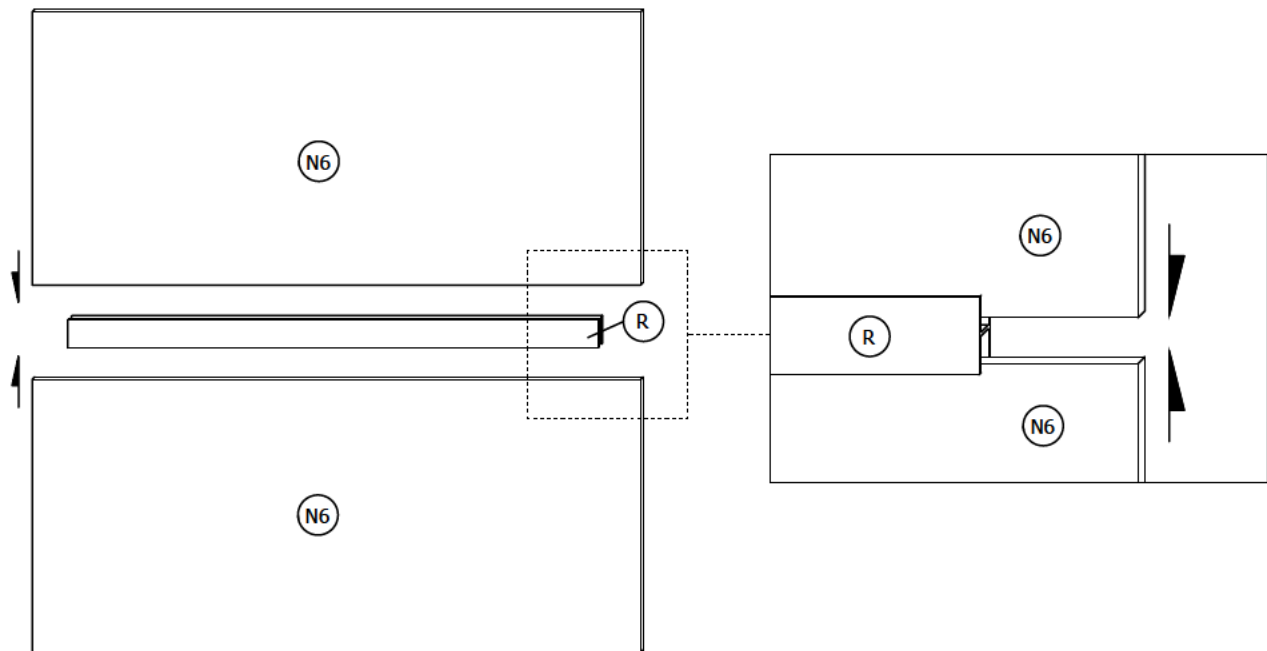
Combine the (N1) to the frame then tighten the remaining 6 pieces (A)-(pre insert in step 1 to 3) as shown.



ASSEMBLY INSTRUCTION

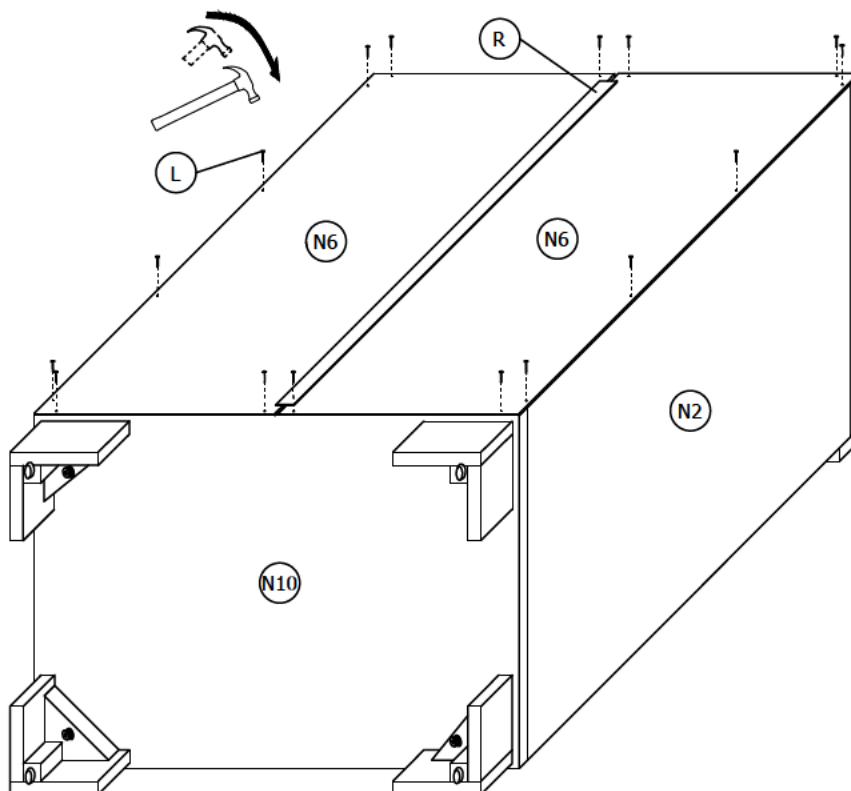
STEP 13

Put the (N6) to the gap of (R) as shown. Direction of the side with colored paper must be the same.



STEP 14

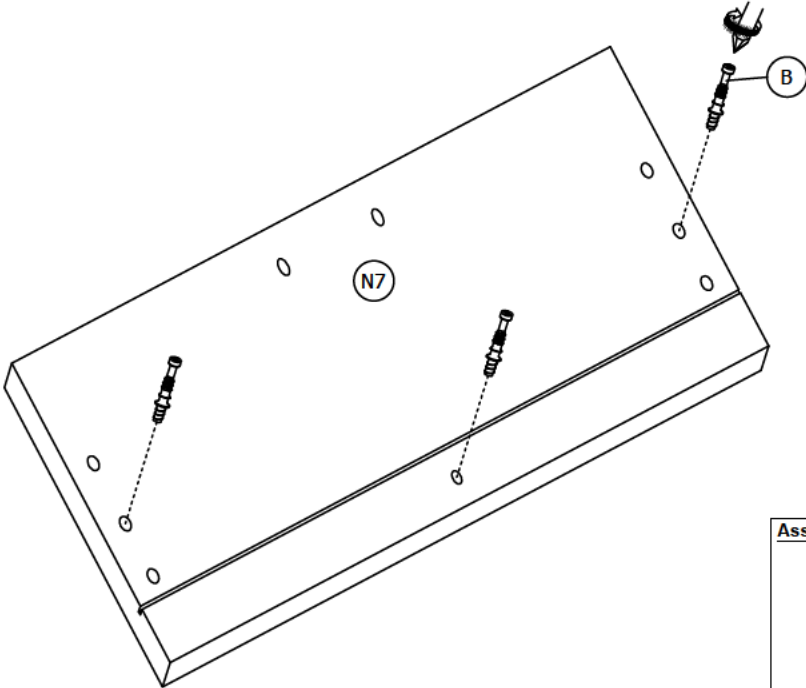
Insert the 16 pieces (L) to fix the (N6) as shown. Colored paper face to outside.
To prevent blocking (N1) and (N10), make sure the (R) at the middle of (N6), do not over high or lower.



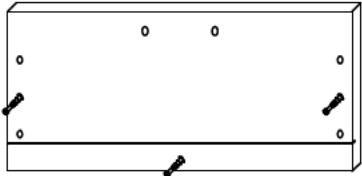
ASSEMBLY INSTRUCTION

STEP 15

Insert 3 pieces (B) to the (N7) as shown. This step needs to be done twice.

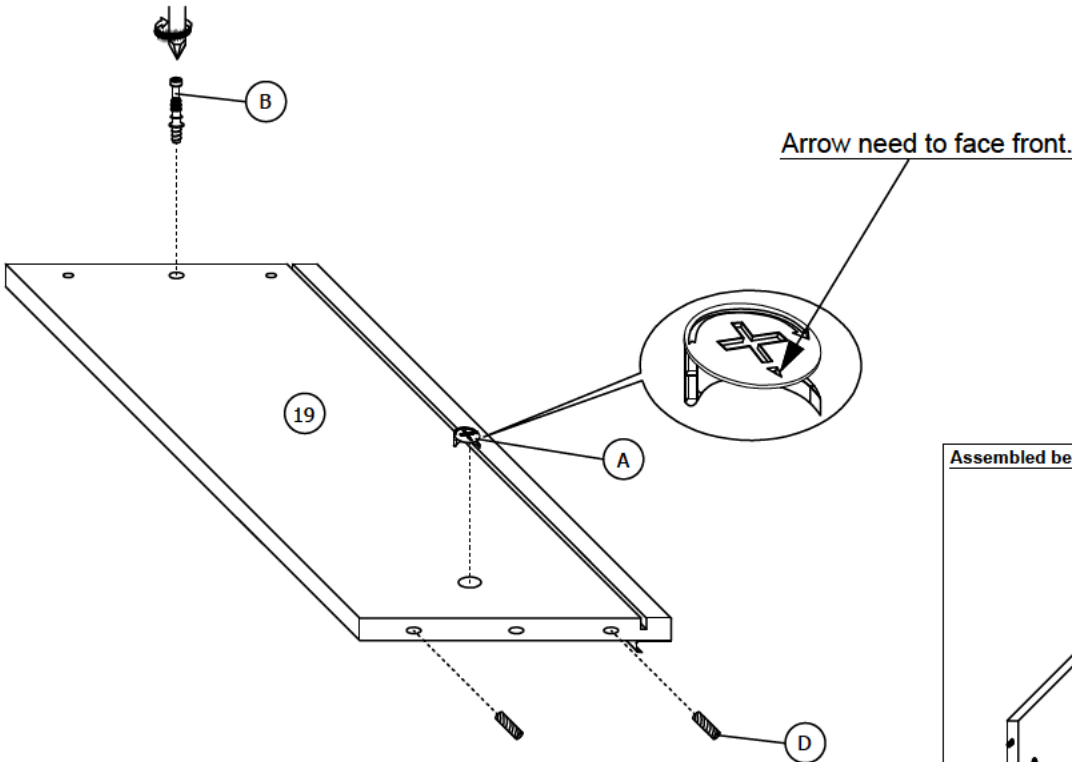


Assembled become like this

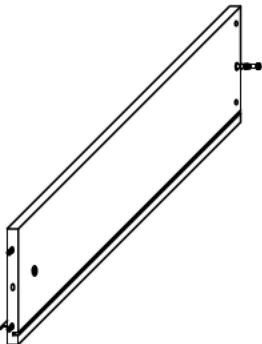


STEP 16

Insert 1 piece (A),(B) and 2 pieces (D) to (19) as shown. This step needs to be done twice.



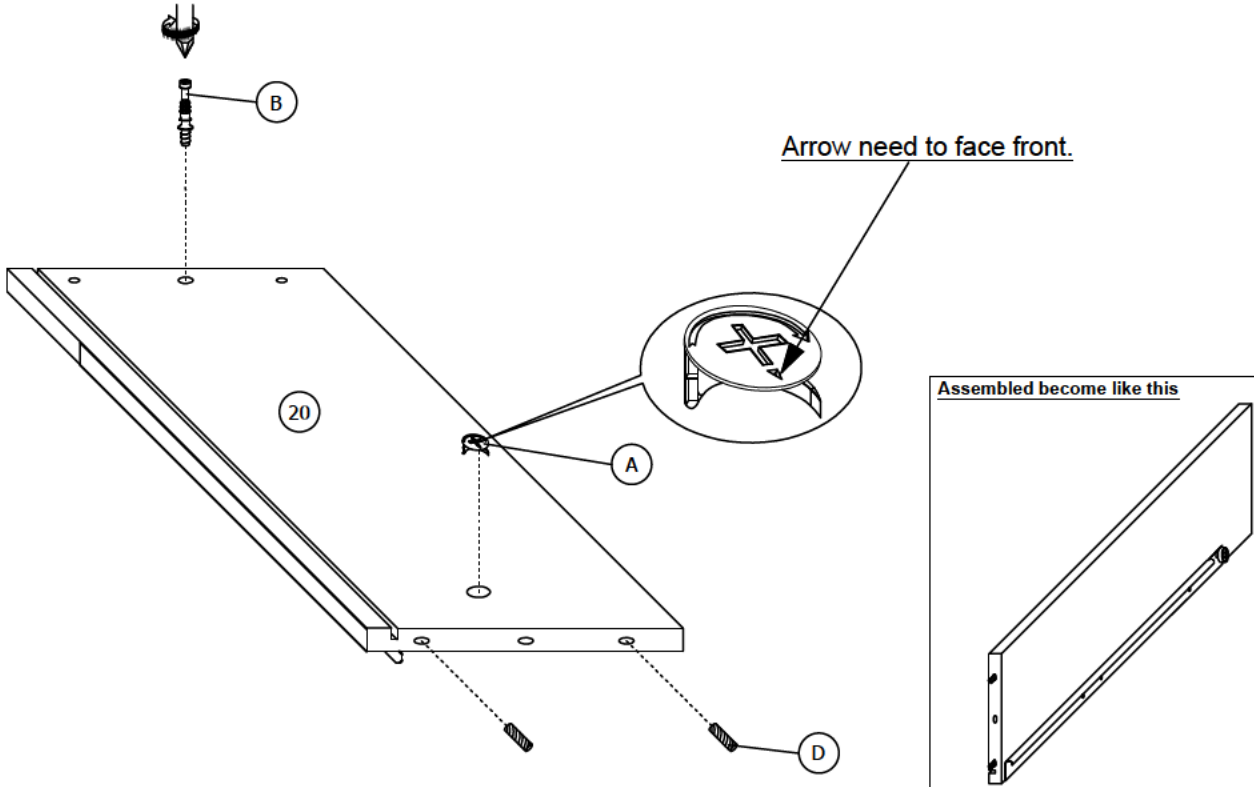
Assembled become like this



ASSEMBLY INSTRUCTION

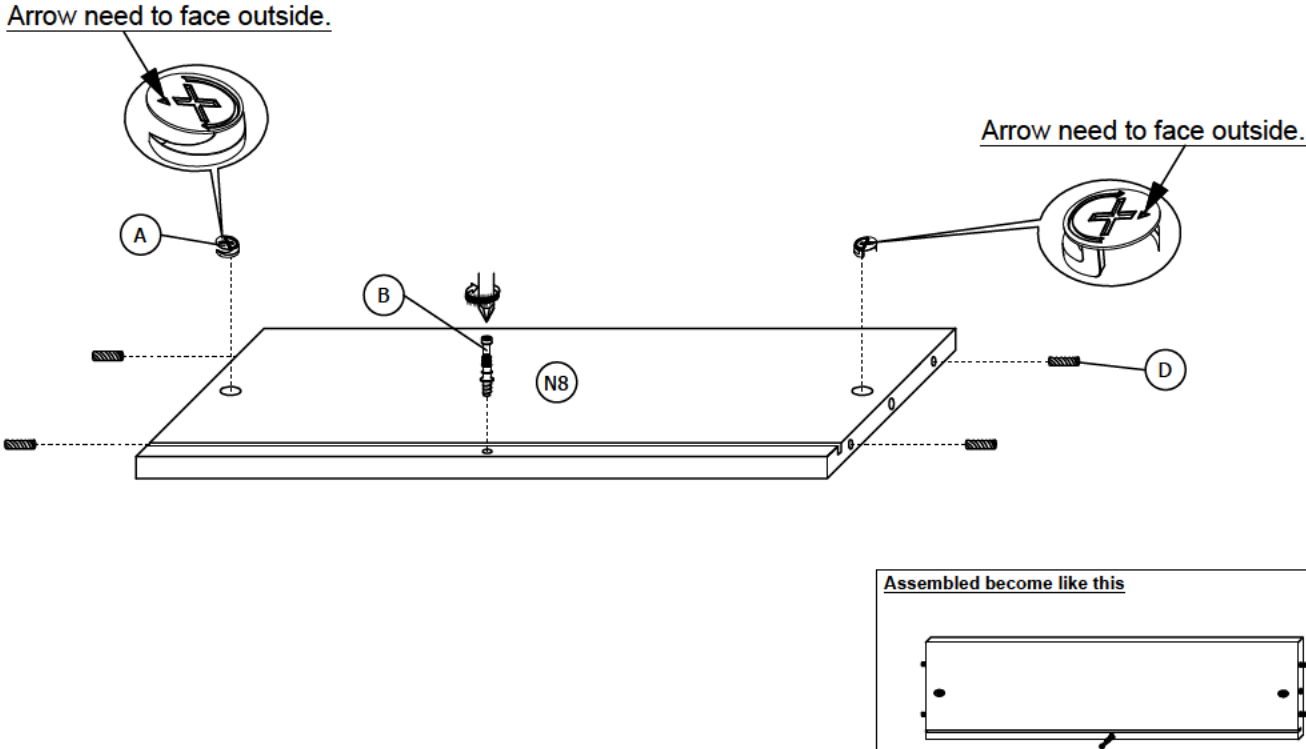
STEP 17

Insert 1 piece (A),(B) and 2 pieces (D) to (20) as shown.This step needs to be **done twice**.



STEP 18

Insert 2 pieces (A) , 1 piece (B) and 4 pieces (D) to (N8) as shown.This step needs to be **done twice**.

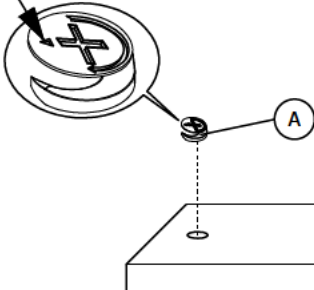


ASSEMBLY INSTRUCTION

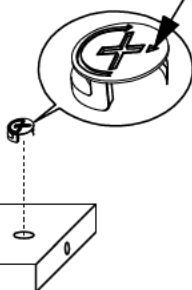
STEP 19

Insert 2 pieces (A) to (21) as shown. This step needs to be done twice.

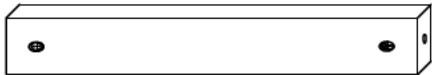
Arrow need to face outside.



Arrow need to face outside.

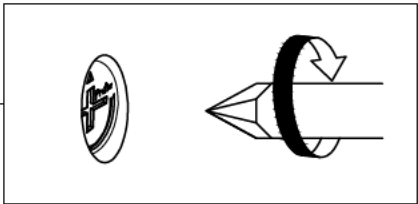
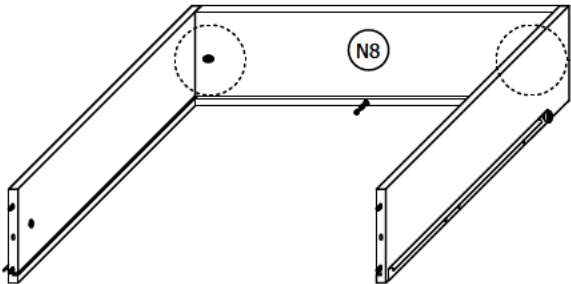
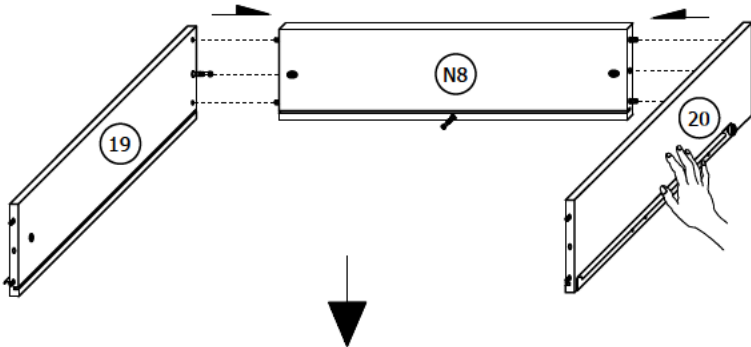


Assembled become like this



STEP 20

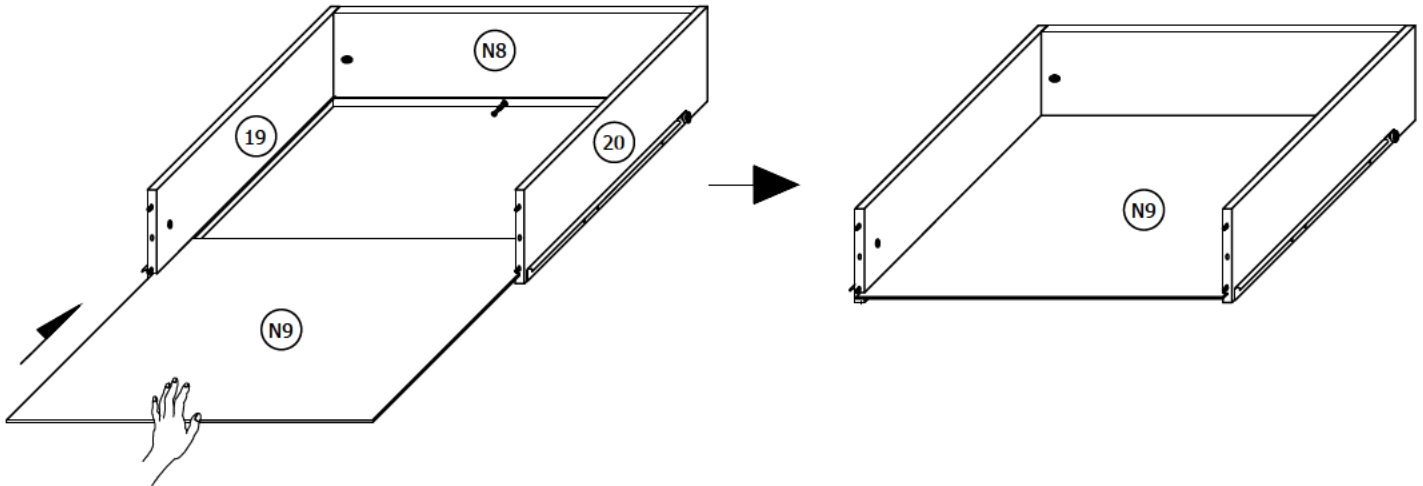
Combine the (19) and (20) to the (N8) . Then tighten the 2 pieces (A)-(pre-insert in step 18) as shown. This step needs to be done twice.



ASSEMBLY INSTRUCTION

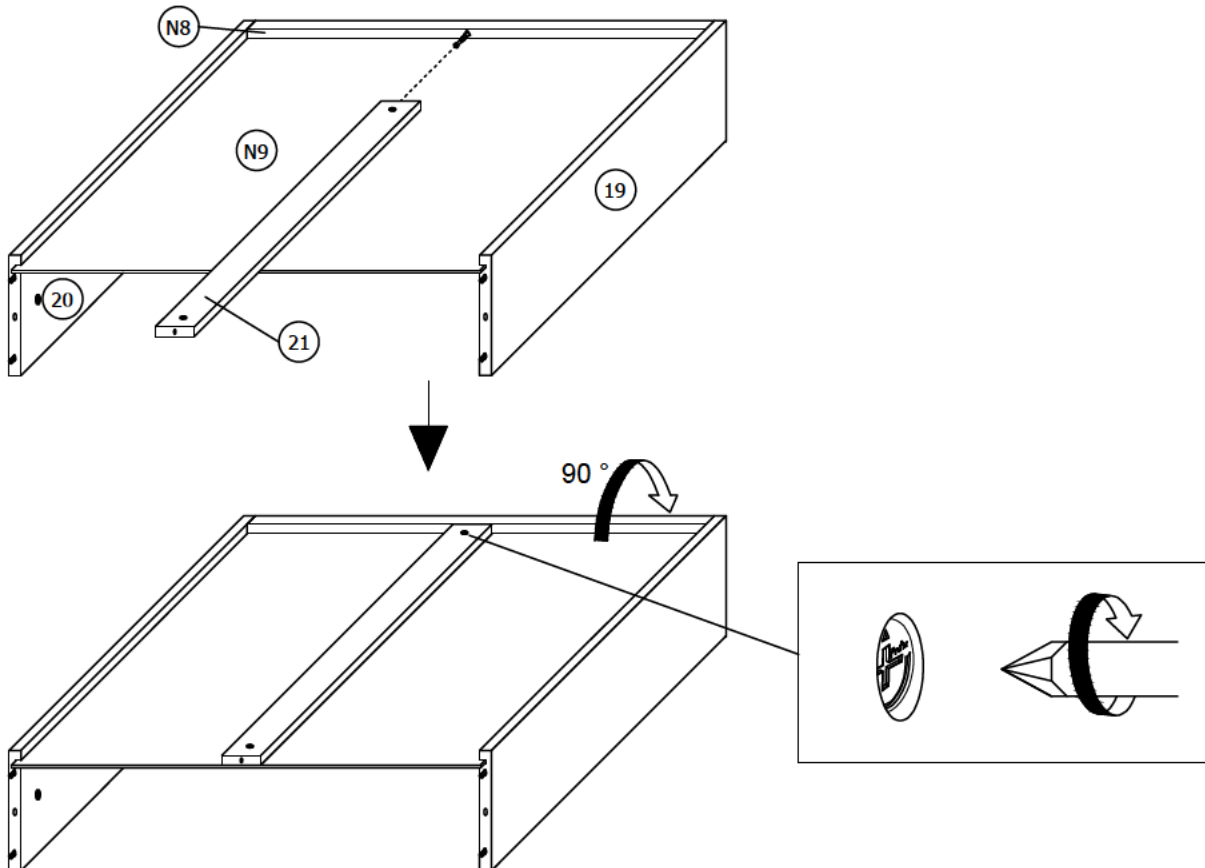
STEP 21

Put the (N9) into the gap of (19),(20) and (N8) as shown. This step needs to be **done twice**.



STEP 22

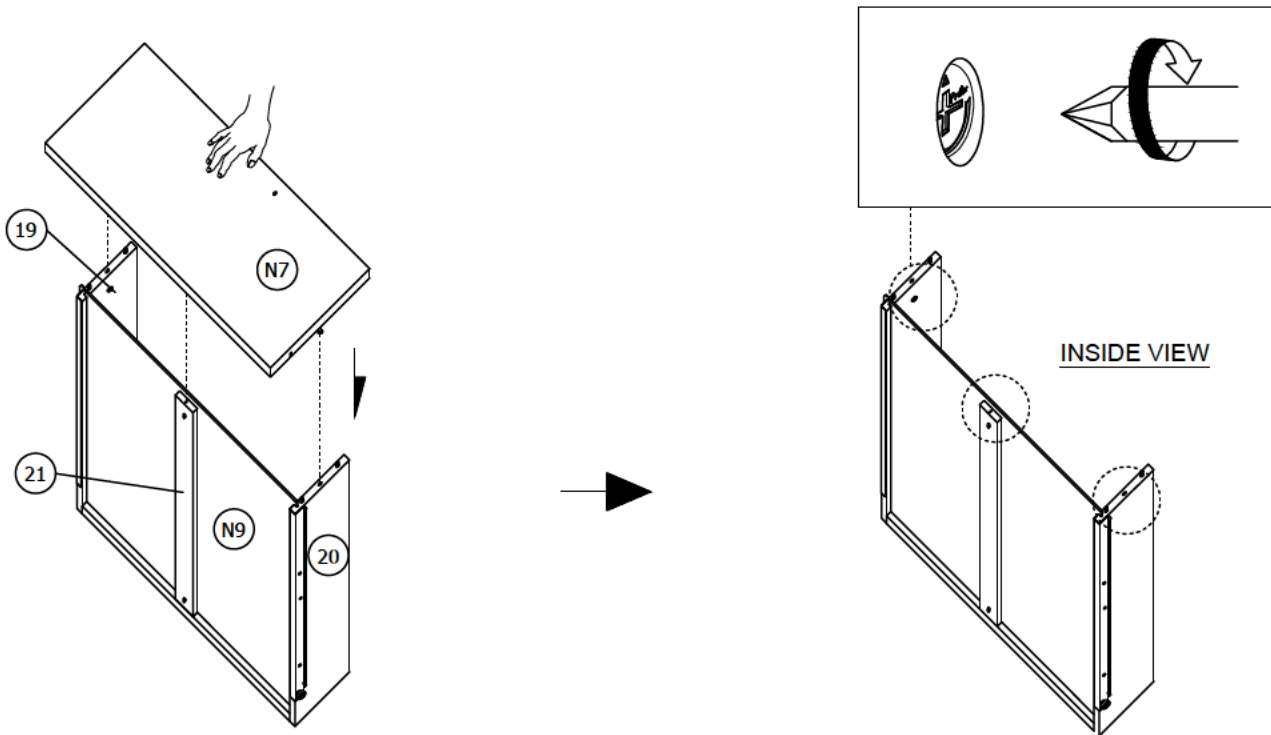
Combine the (21) to the (N8) then tighten the 1 piece (A)-(pre-insert in step 19) as shown. This step needs to be **done twice**.



ASSEMBLY INSTRUCTION

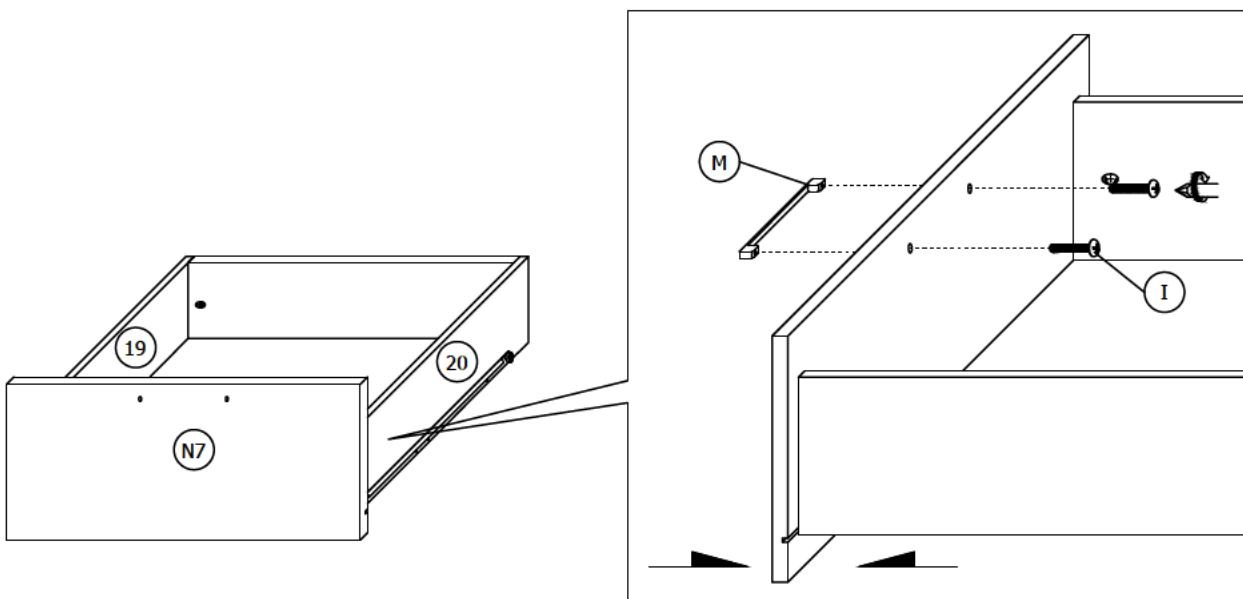
STEP 23

Combine the (N7) to the drawer frame. Then tighten the 3 pieces (A)-(pre-insert in step 16,17 and 19) as shown. This step needs to be **done twice**.



STEP 24

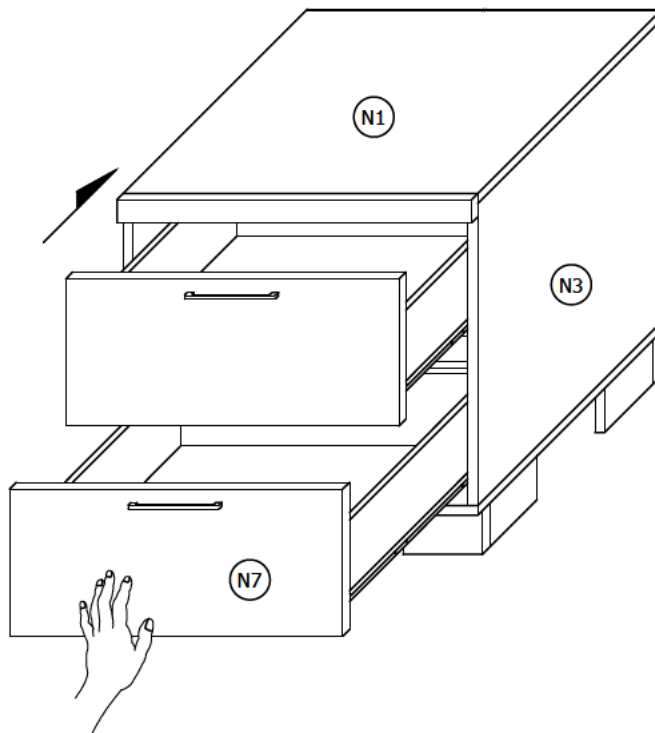
Insert 2 pieces (I) fix the (M) as shown. This step needs to be **done twice**.



ASSEMBLY INSTRUCTION

STEP 25

Align the position then push the 2 pieces drawer to inside exactly by your hand as shown.



STEP 26



ASSEMBLY COMPLETED