



SIGNATURE SERIES RECTANGLE SPR2



Thank you for choosing Enclume!

Enclume racks are the ultimate quality, design, strength and function.

WARNING: READ ALL OF THE INSTRUCTIONS BEFORE ASSEMBLING AND USING YOUR RACK

Enclosed you will find everything needed for the assembly and use of your storage rack. Two people make assembly and installation easier. The parts and hardware included are:

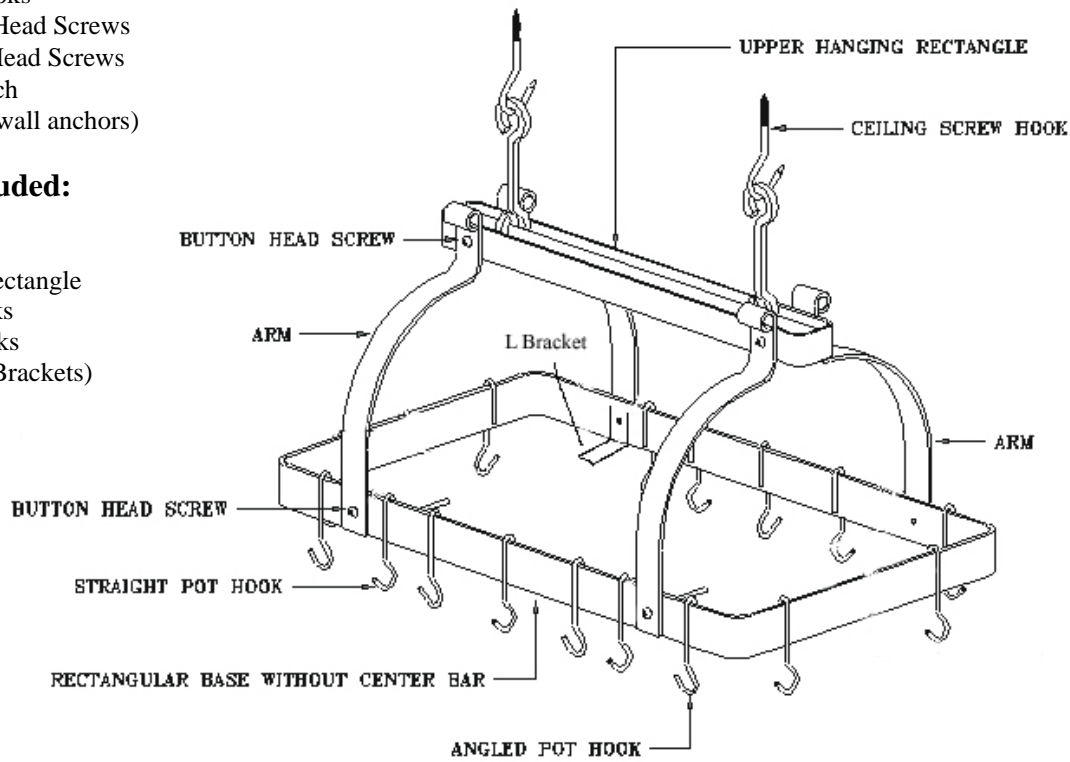
Hardware included:

- 2 – Ceiling Screw Hooks
- 4 – 3/8" x 1/2" Button Head Screws
- 8 – 3/8" x 1" Button Head Screws
- 1 – 7/32" Allen Wrench
- 1 – Toggle Pack (dry wall anchors)

Components included:

- 1 – Rectangular Base
- 4 – Arms
- 1 – Upper Hanging Rectangle
- 12 – Angled Pot Hooks
- 12 – Straight Pot Hooks
- 4 – L Brackets (Grid Brackets)
- 1 – Grid

If you need help, please call 1-877-ENCLUME
Enclume Design Products
 24 Colwell Street, Port Hadlock, WA 98339
 Phone 360-385-6100 • Fax 360-385-6156
www.enclume.com



See reverse side for ASSEMBLY AND INSTALLATION INSTRUCTIONS



ASSEMBLY AND INSTALLATION INSTRUCTIONS

Rack Assembly

- 1) Locate the hardware bag containing the button head screws and allen wrench. Place an arm in one of the notches on the wood side of the rectangle and one of the “L” Brackets (grid brackets) on the inside. Place one of the 3/8" x 1" button head screws in the arm and with the allen wrench, screw through the arm and the wood anchoring into the “L” bracket leaving the button head screws a little loose. Repeat for each of the other 3 arms and “L” brackets.
- 2) Attach the arms to the small hanging rectangle with the button head screws.
- 3) Square up the rack by aligning the arms so they are perpendicular to the upper and lower rectangles. Tighten all of the button head screws.
- 4) Place the grid on the “L” brackets.
- 5) For your safety, distribute your cookware evenly. Hang your pot hooks from the interior squares only. **Do not** hang them from the perimeter or the cut portions of the grid.

Installation:

- 1) We recommend that you anchor your rack into the solid wood of ceiling joists or beams. Carefully measure the area where the rack is to be hung and install the ceiling screw hooks directly into the wood joists. If you have a special situation such as steel joists or masonry, please contact your local hardware store or contractor for expert advice.
- 2) If it is not convenient to hang your rack directly into wood joists you may use the included DRYWALL anchors enclosed in the toggle pack included with your rack. Follow Toggler® brand manufacturer recommendations for weight limits included in the instructions in the Toggler kit.



It is important that your rack is assembled correctly. If the unit is not assembled correctly or is used improperly, it could become unstable, possibly causing injury.

Limited Warranty: This product is warranted to be free of material defects for a period of five years from the date of purchase. Customer's exclusive remedy shall be the repair or replacement of the defective product and shall be subject to the following conditions: (1) notice of any defect is received by Enclume within the warranty period and (2) customer returns the defective product to Enclume Design Products, 24 Colwell St. , Port Hadlock, WA 98339, *postage prepaid* within 20 days following a return authorization number (which may be obtained by telephoning the number at the top of this instruction) being provided to the customer by Enclume. There are no other warranties, expressed or implied. **THERE ARE NO WARRANTIES OF MERCHANTABILITY OR FITNESS FOR A PARTICULAR PURPOSE. ENCLUME SPECIFICALLY DISCLAIMS ANY AND ALL INCIDENTAL OR CONSEQUENTIAL DAMAGES ARISING OUT OF THE PURCHASE OR USE OF ENCLUME'S PRODUCTS.**