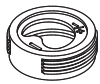
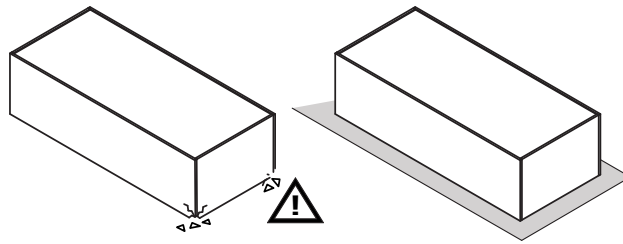
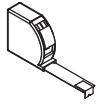
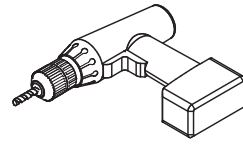
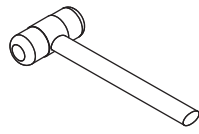
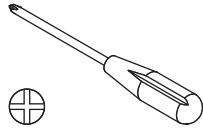
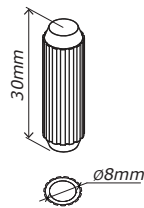


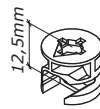
1h



H204
x2



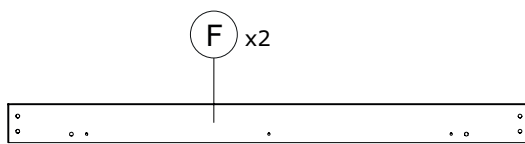
H1
x16



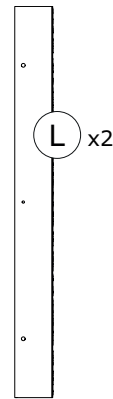
T7
x8



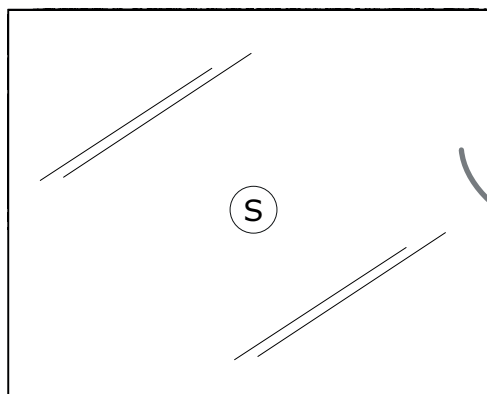
T28
x8



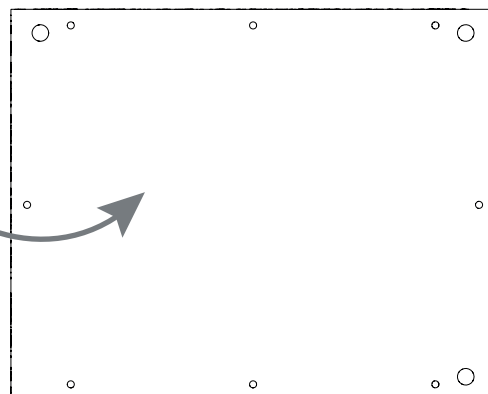
FS3891
901x62x38mm

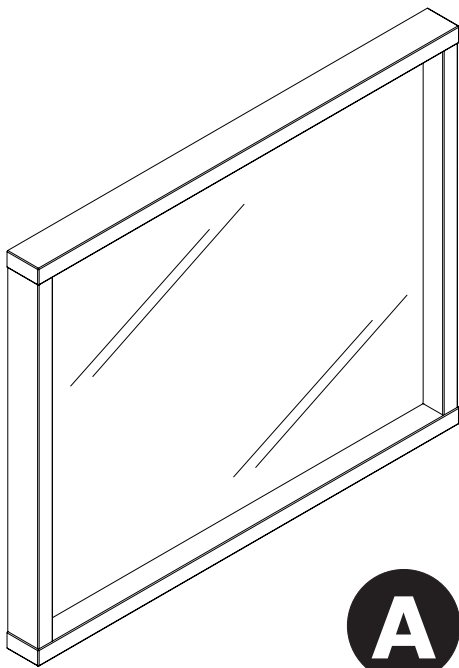
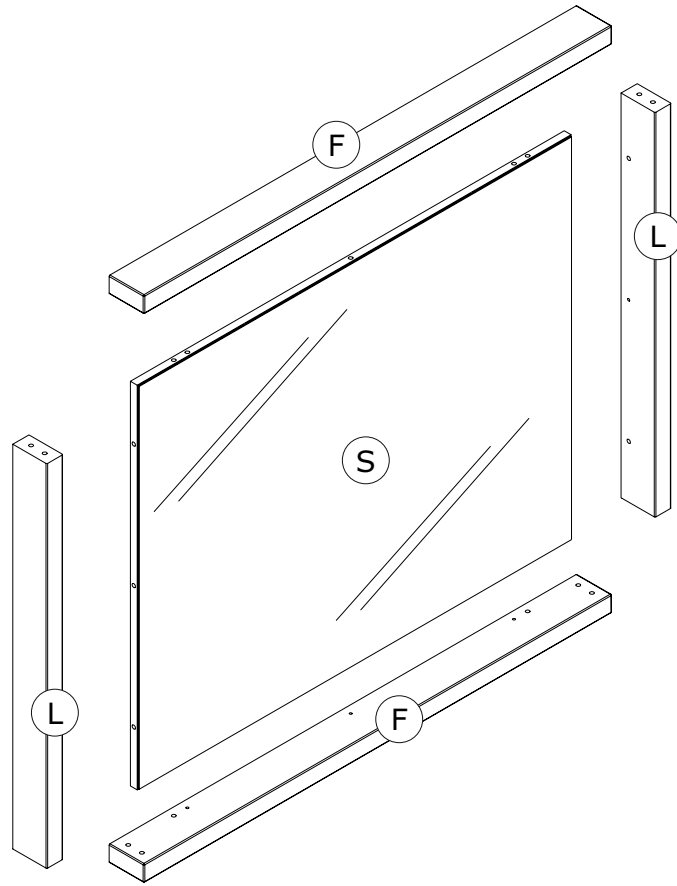


FS3892
524x60x38mm

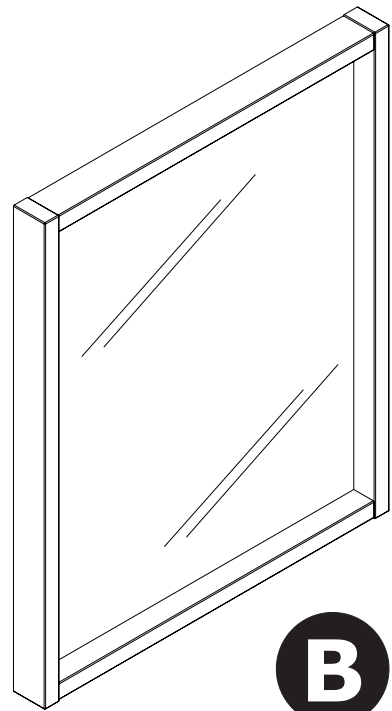


SH3273
821x524x21mm



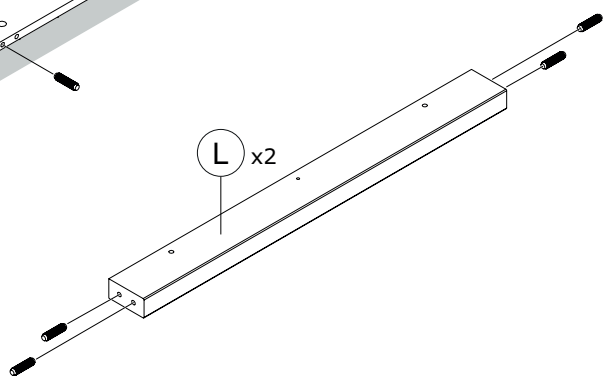
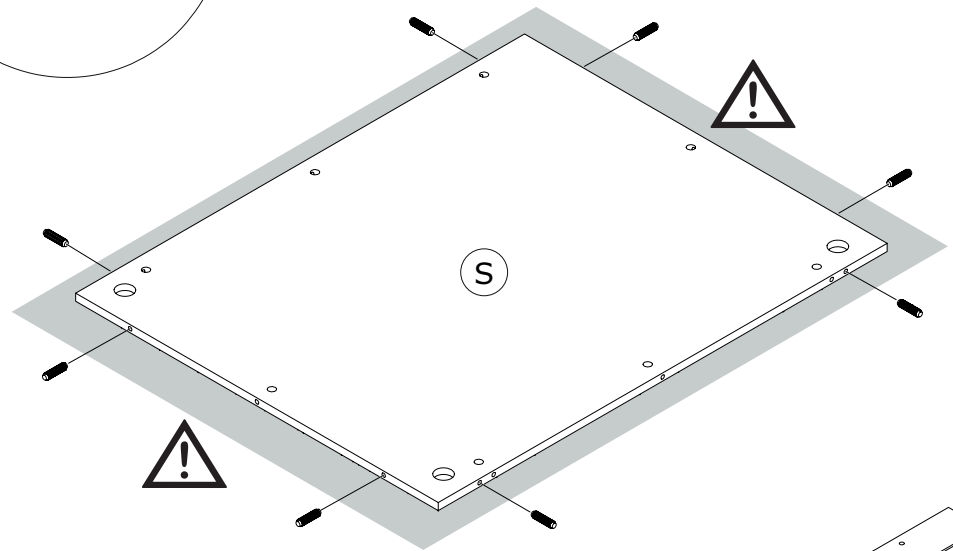
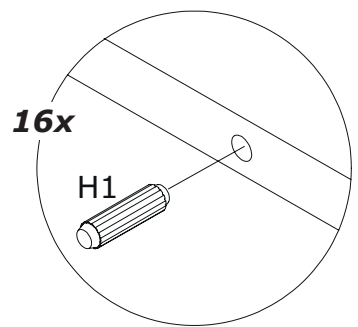
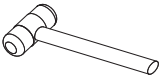


A

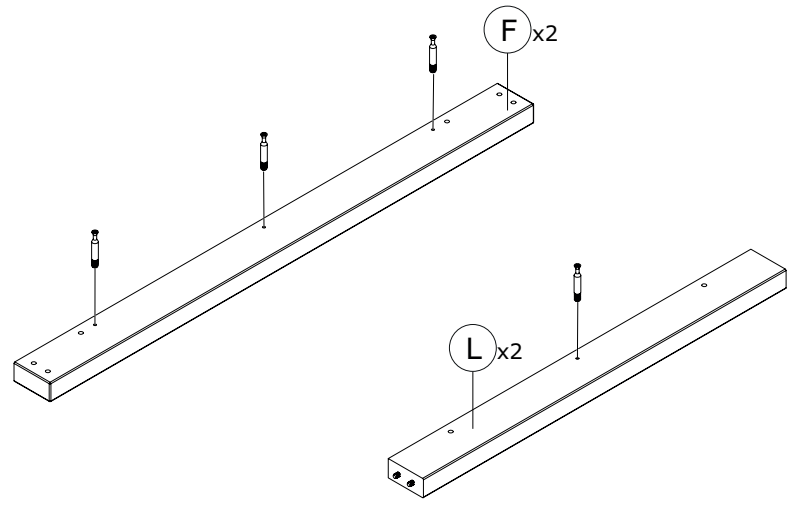
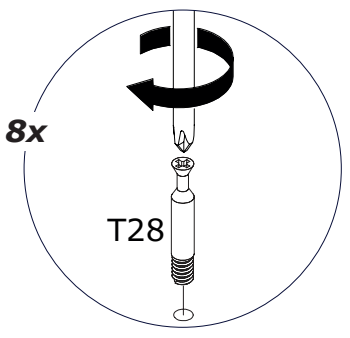
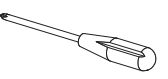


B

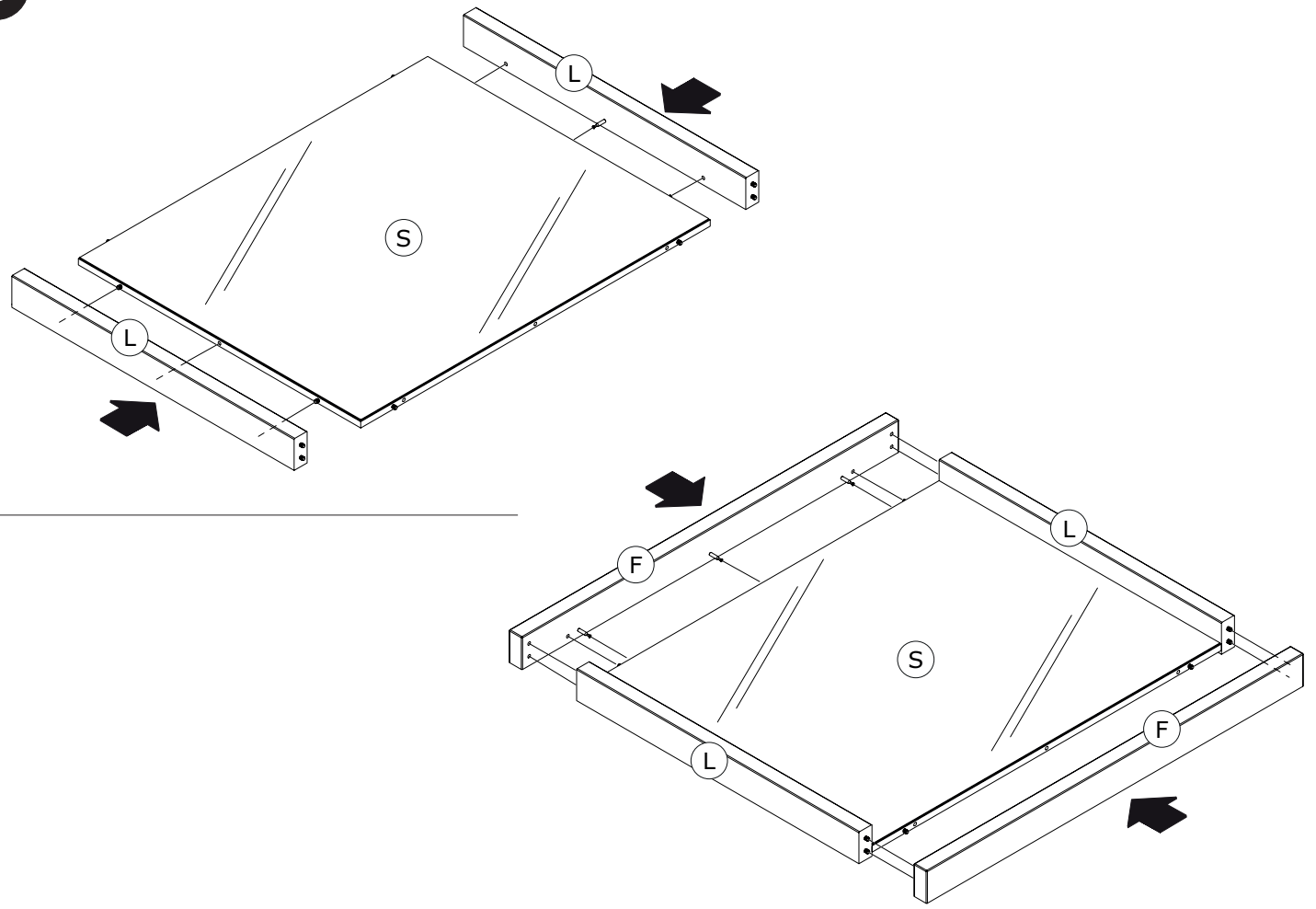
1



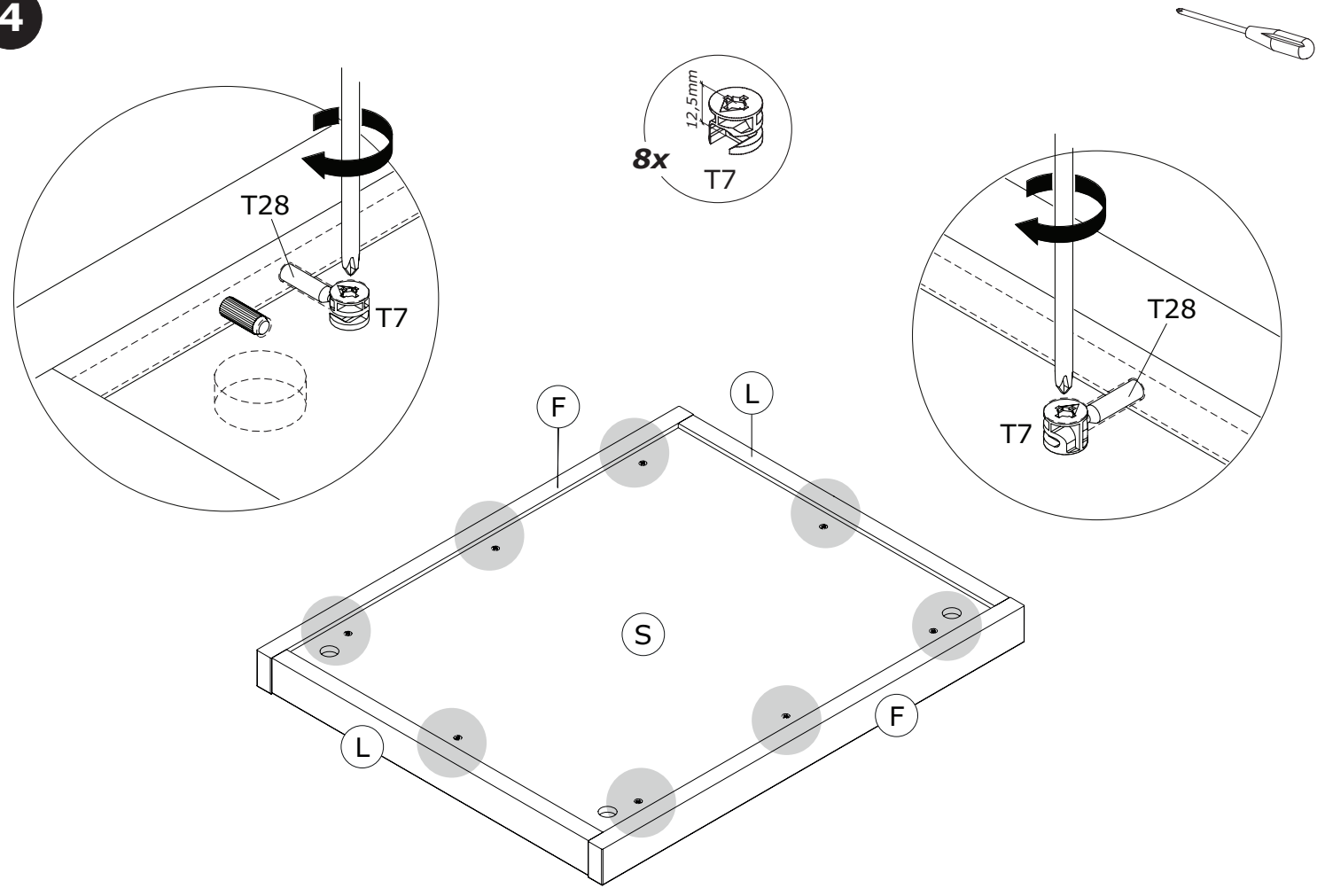
2

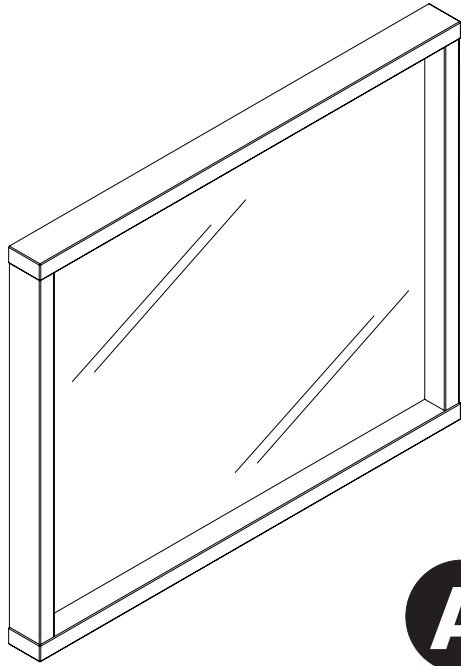


3

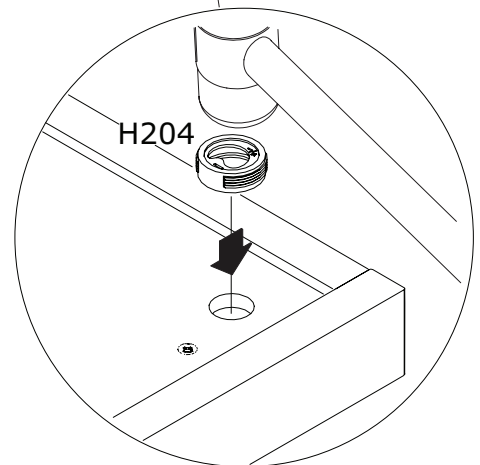
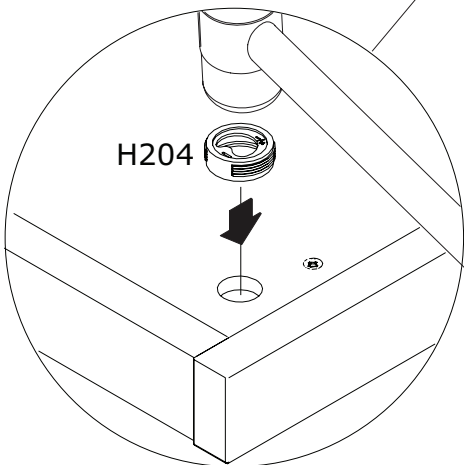
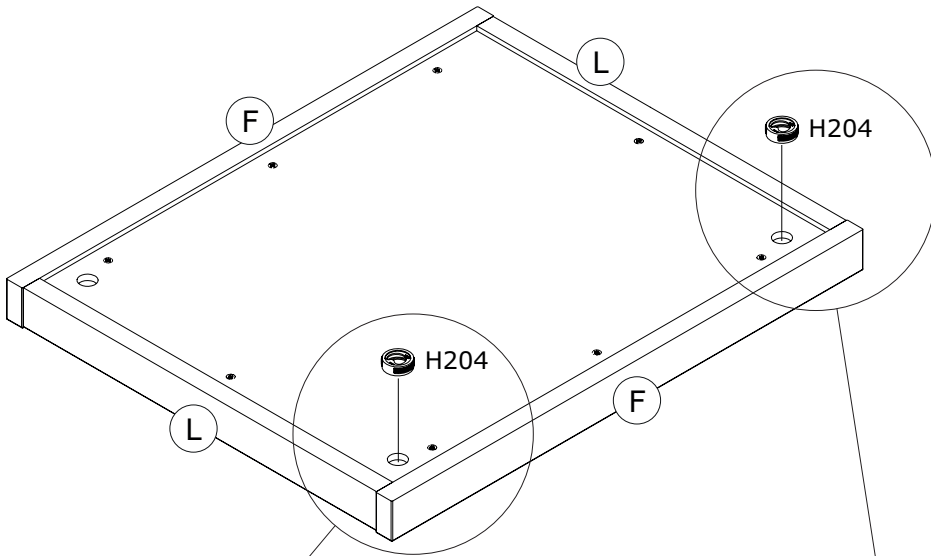
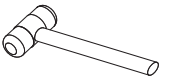


4



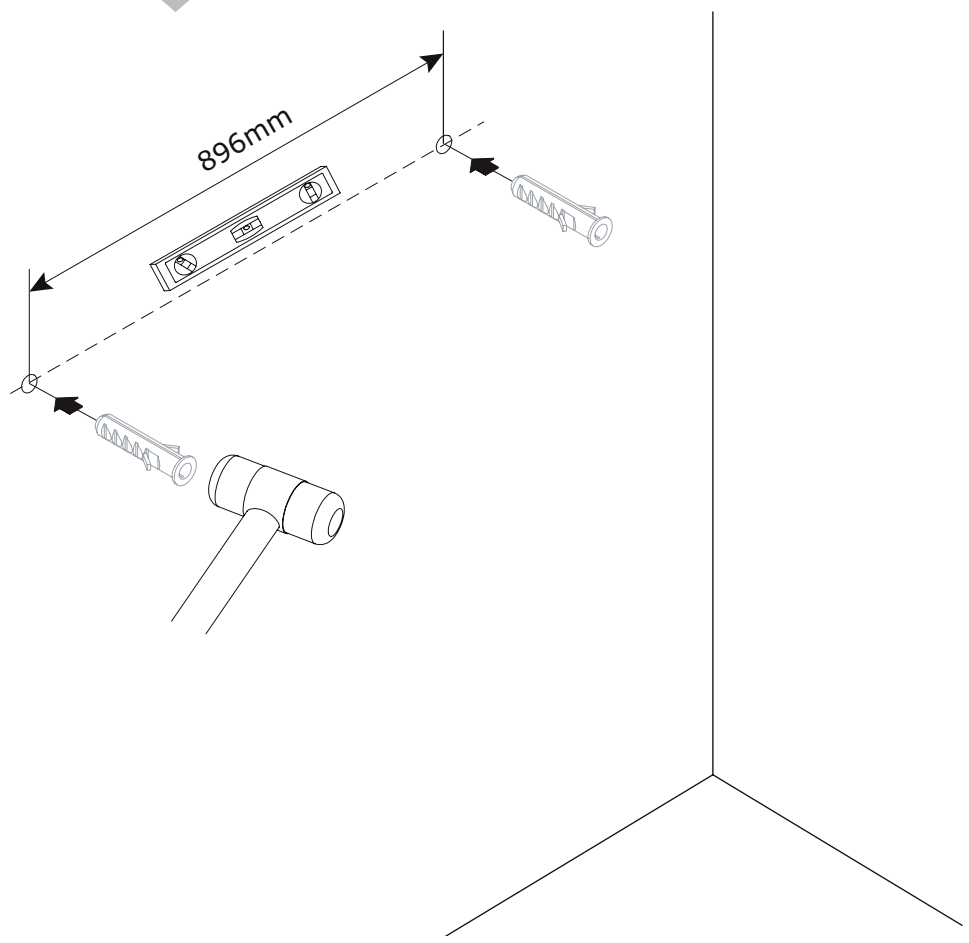
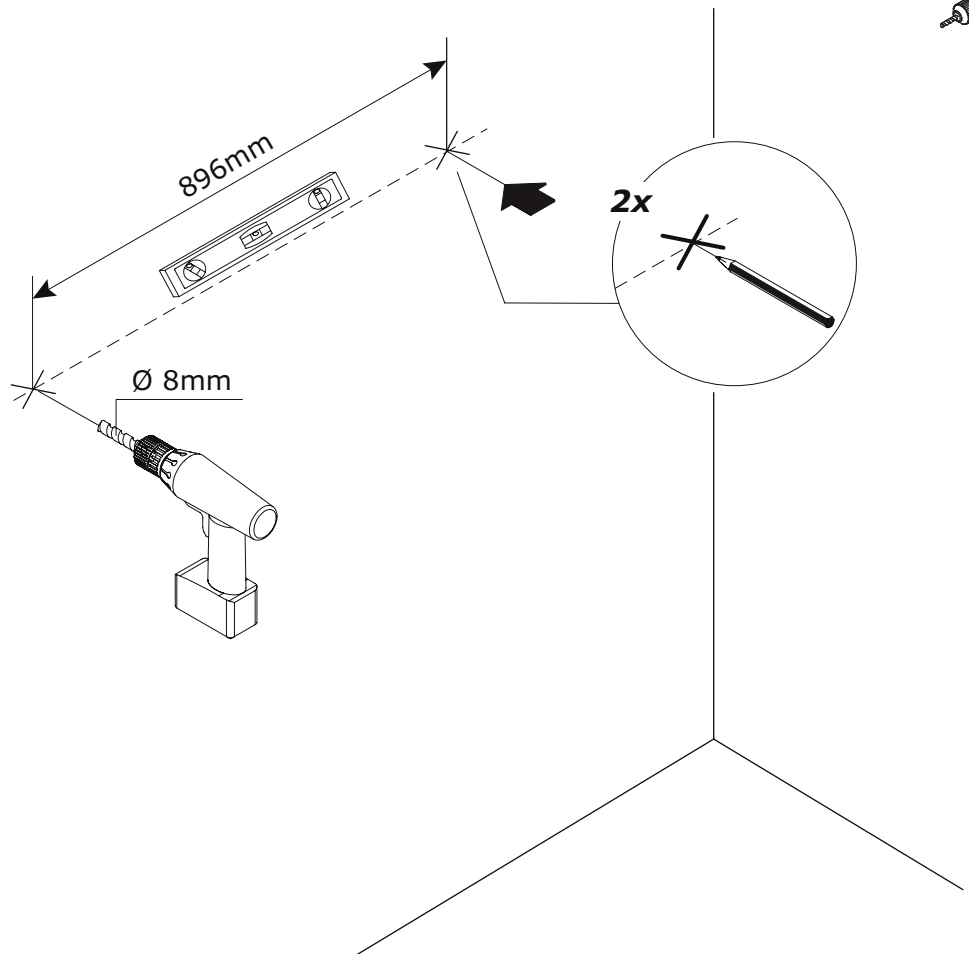
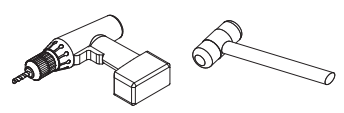


5



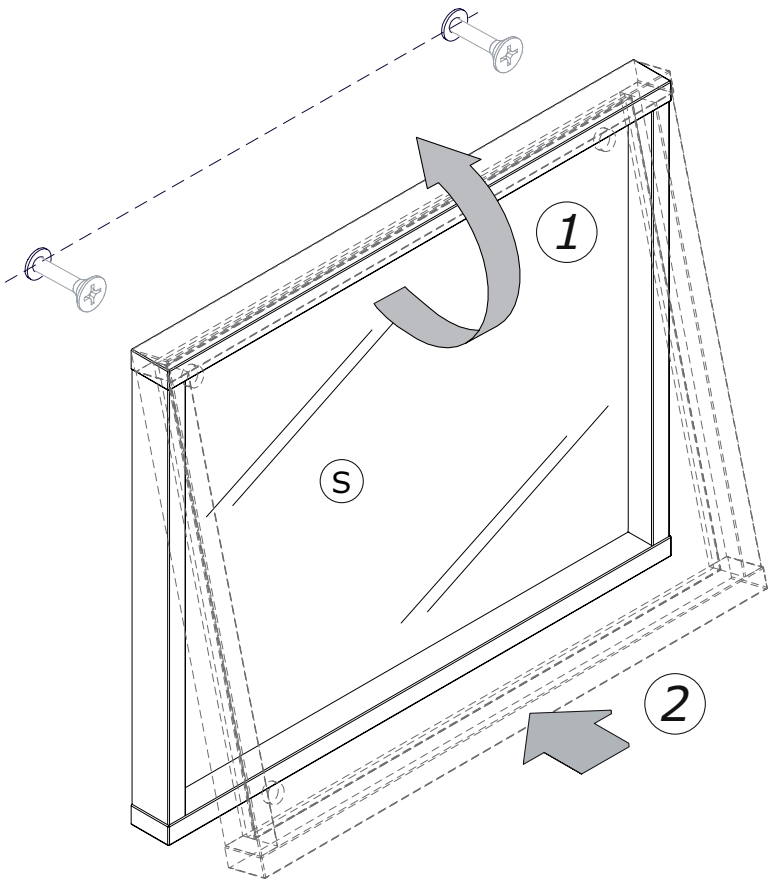
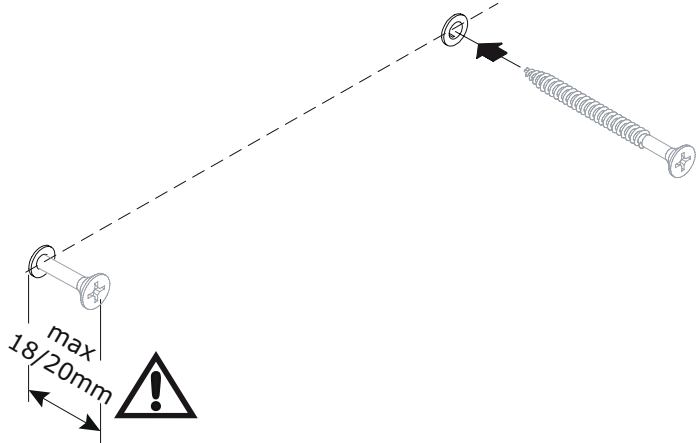
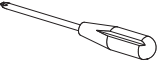
6

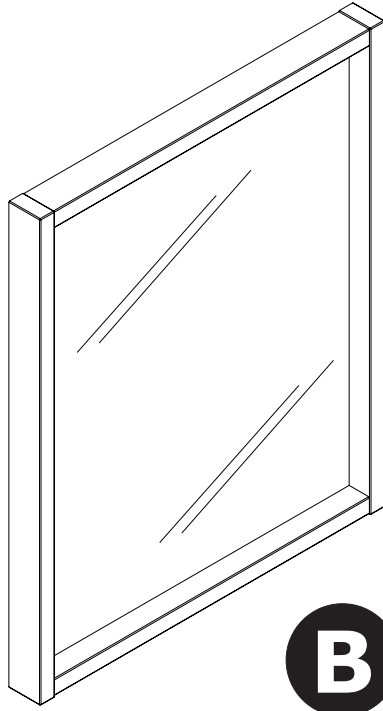
A



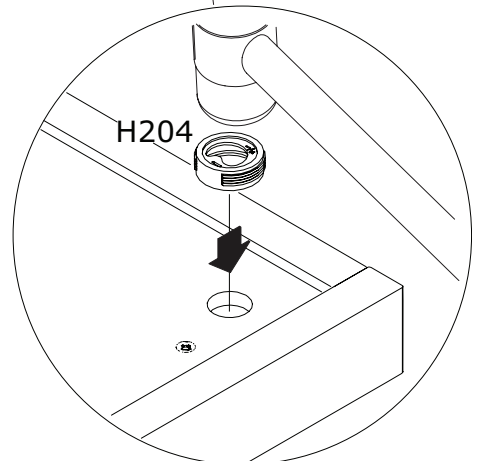
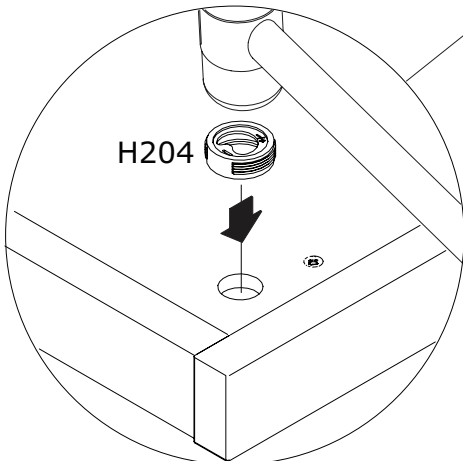
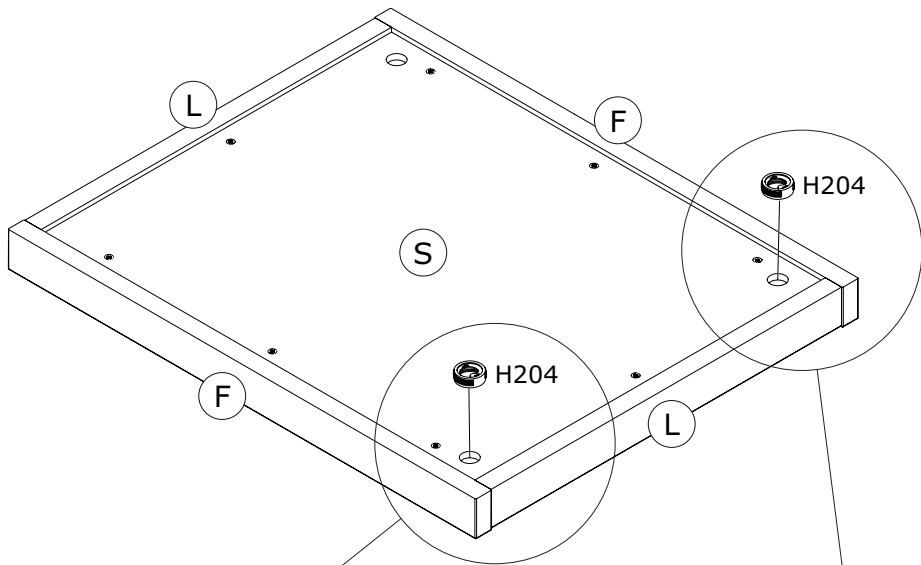
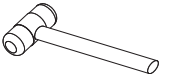
7

A



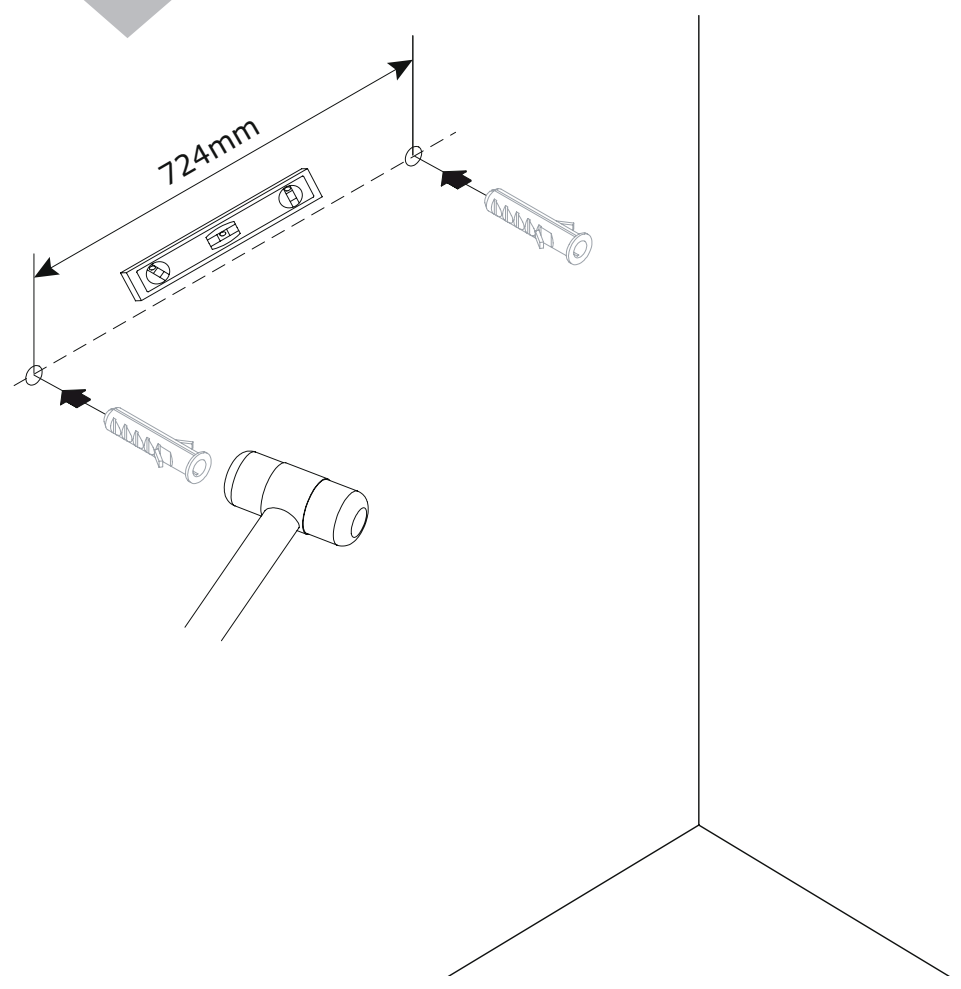
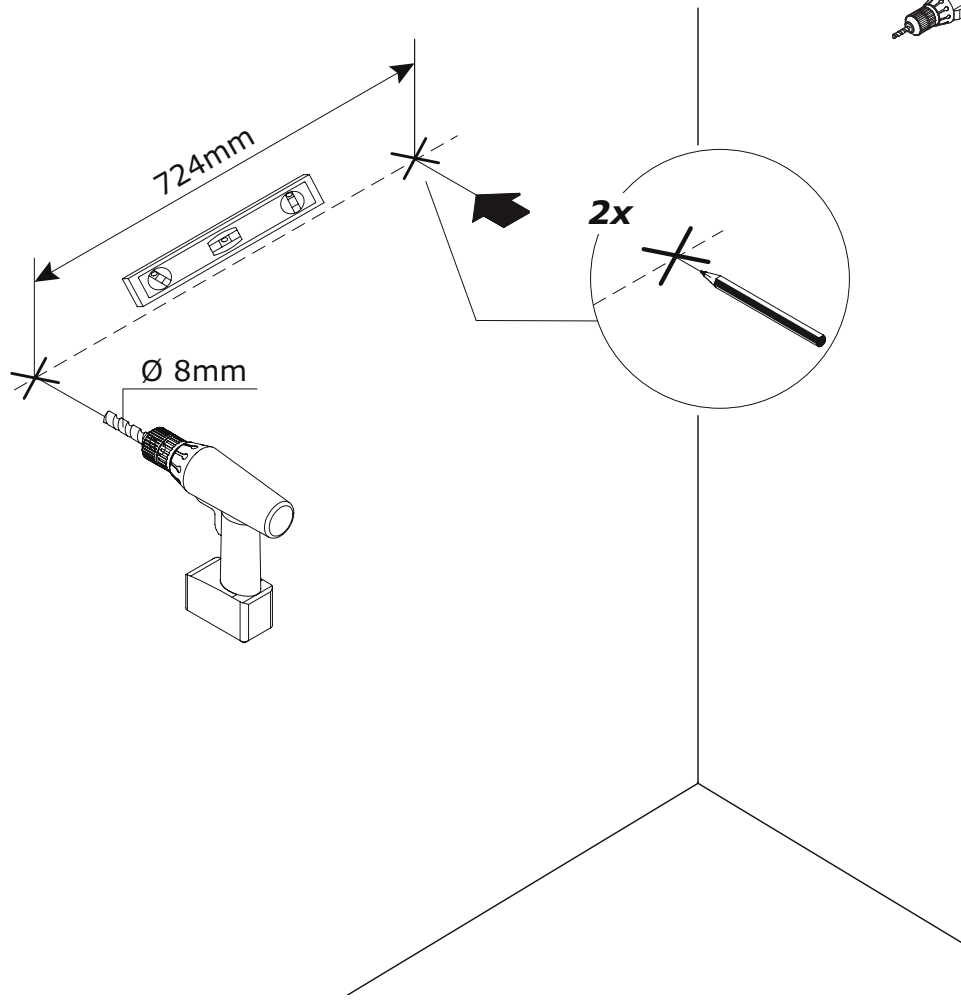
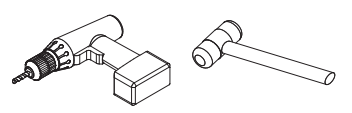


8



9

B



10

B

