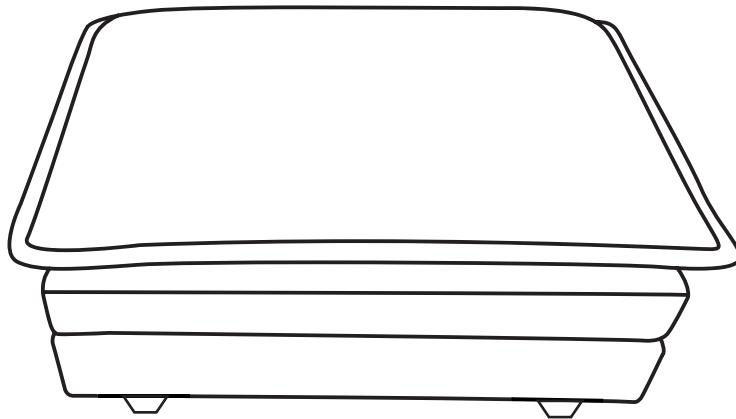


ASSEMBLY INSTRUCTION

Ottoman

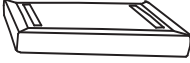





Thank you for choosing our product.

To ensure safe and satisfactory use of this product, please carefully read the below instructions beforehand.

1. This sofa ships in several boxes, we recommend unpacking and starting assembly when several boxes are received.
2. Our cushions are vacuum packed for convenient shipping. Please allow 2-3 days for them to fully expand to their original shape and for any wrinkles to disappear.
3. In the event that a part is damaged or missing, no need to return the product, we will gladly help and ship your replacement parts free of charge.

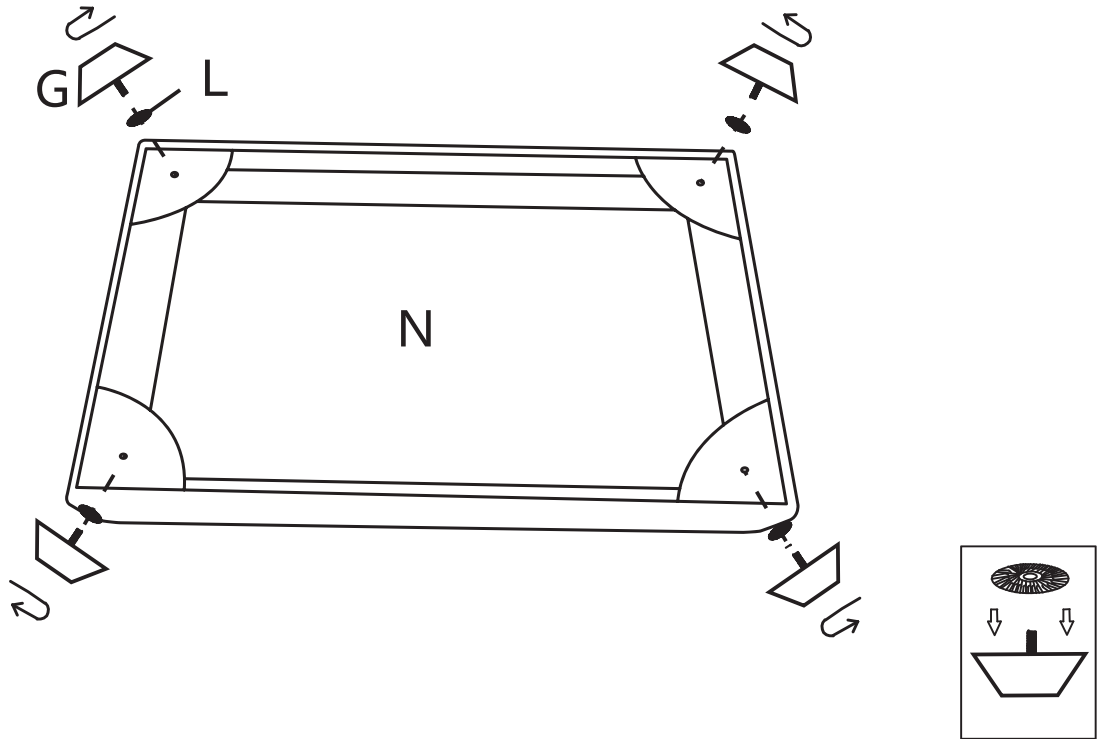
PART LIST & HARDWARE

N Ottoman frame  1PC	O Ottoman cushion  1PC	G Leg  4PCS	L Gasket  4PCS
---	---	--	---

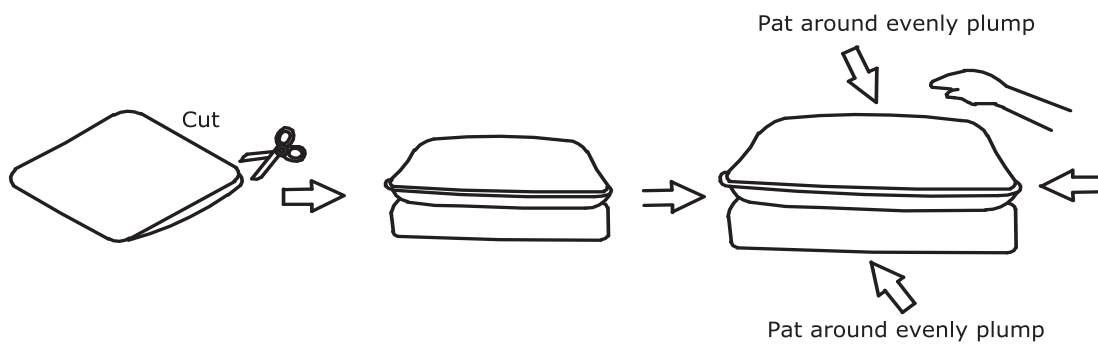
Note: Please retain all boxes until you are certain that your product isn't damaged and that you do not wish to return it. Disposal of boxes may prevent our ability to resolve your request.

ASSEMBLY STEPS

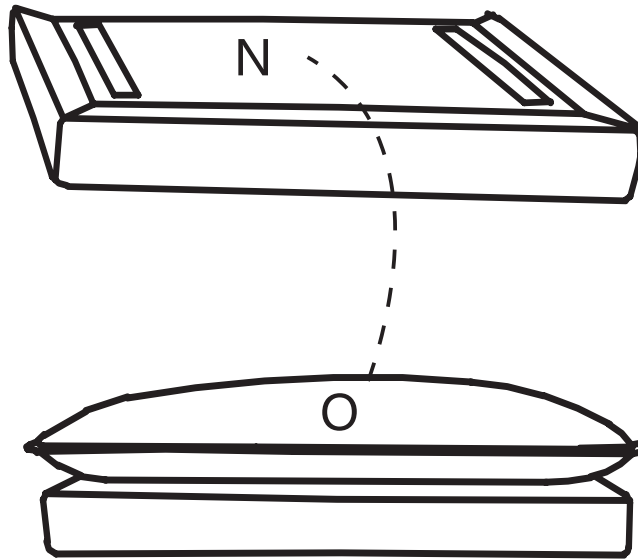
STEP 1: Assemble the Legs (G) on the ottoman frame with Gaskets (H) .



STEP 2: The cushion is packaged by vacuum compression. After cutting the package, it rebounds quickly within 4 hours. If the fabric has wrinkles, it will basically disappear after standing for 72 hours.



STEP 3: Place seat ottoman cushion (O) on the ottoman frame (H).



STEP 4: If the fabric has wrinkles, it will basically disappear after standing for 72 hours. Well done!! You can enjoy your leisure time on the sofa now.

