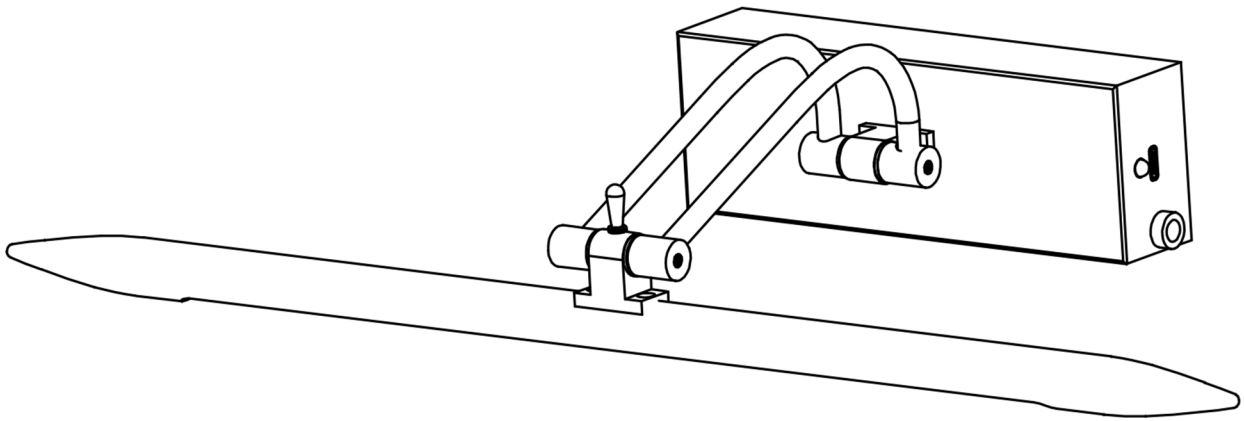
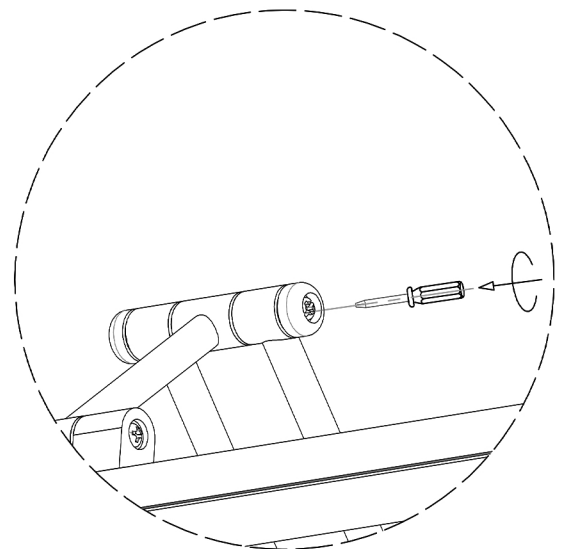


INSTALLATION SHEET

Picture Light Battery Powered



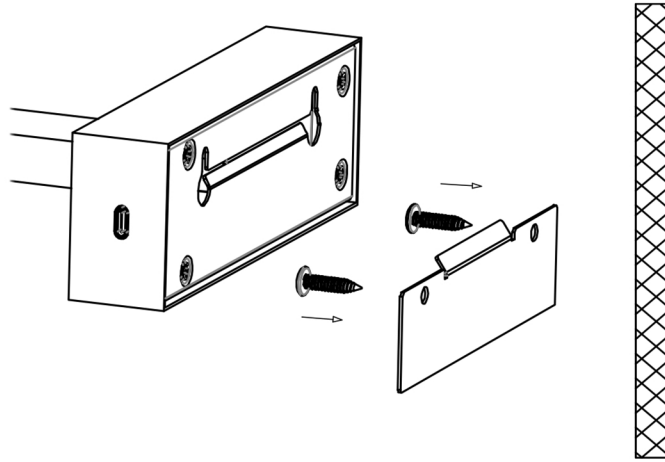
ATTENTION : During transportation, the screws at of the universal head may be a little loosened, you can use household screwdriver and tighten the screws to retain its position, according to your needs.



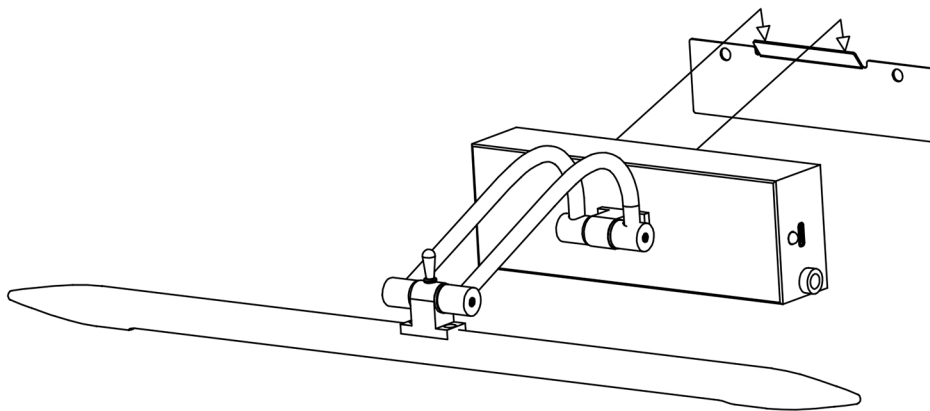
Installation Instructions

Secure the mounting bracket with screw kit(package included).

(1) Fix the mounting bracket on the wall with the screws.



(2) Fix the light on the bracket.



NOTE:

- * Remove fixture from its original package.
- * Prepare everything in a clear area.
- * Please check whether the product can work normally with the remote before you start assembly.
- * Read instructions carefully before you start assembly.
- * Please check if the red indicator light is on when charging.
- * It's recommended to use the 5V/2A charger to avoid long charging time.
- * Please charge the picture light with a 5V charger for 4 hours before use.
- * Keep this installation sheet for future reference.
- * Package list: Picture Light x1, Mounting Bracket x1, Screw Kit x2, Type-C USB Cable x1, Remote x1 .

