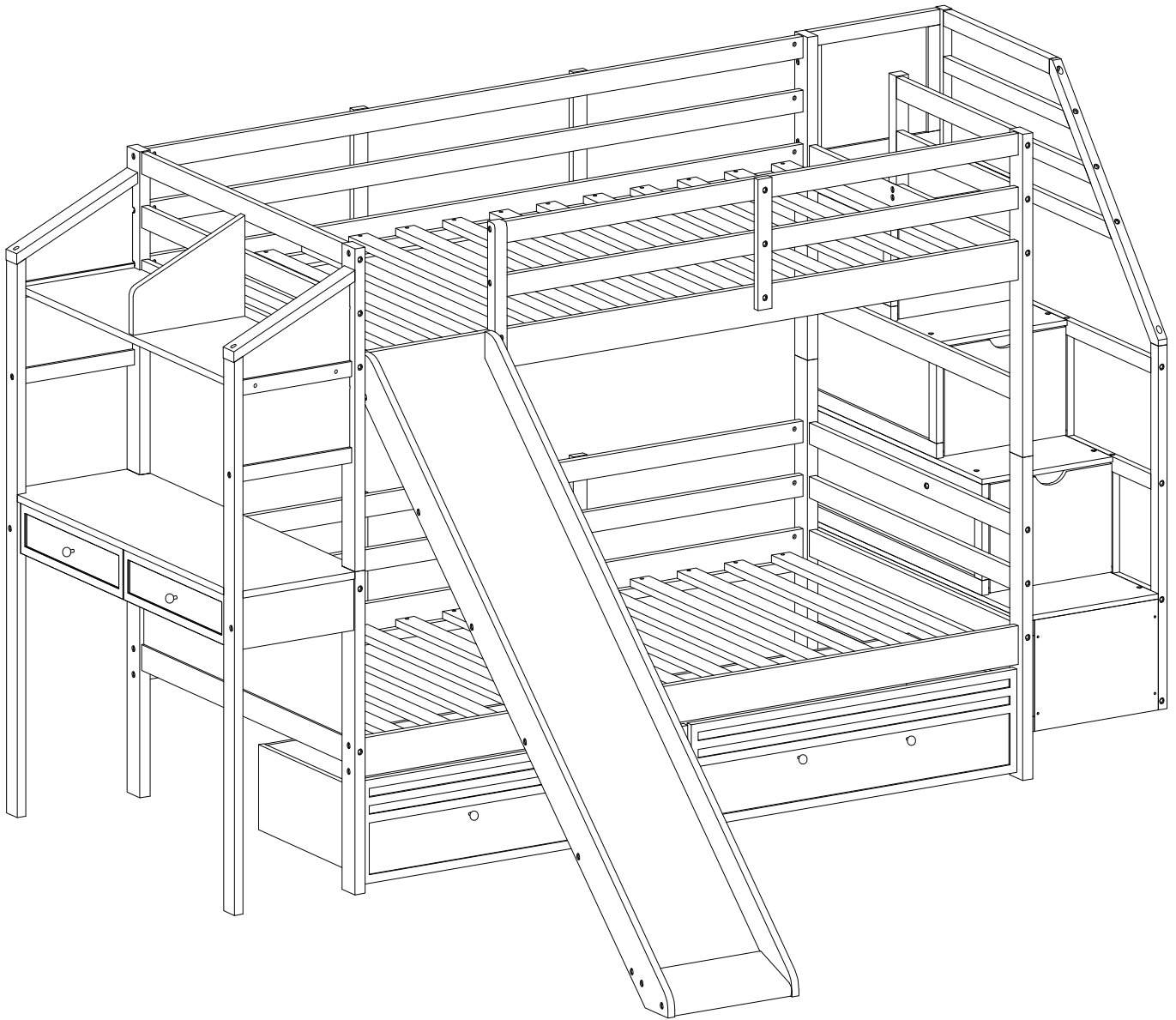


ASSEMBLY INSTRUCTION

SKU CODE: WF302564/WF302565





SAFETY WARNINGS



1. This bed is designed for use only mattress(es) meeting the following specifications on the upper bunk:
Upper bunk (bunk bed and tribed included)

Upper bed

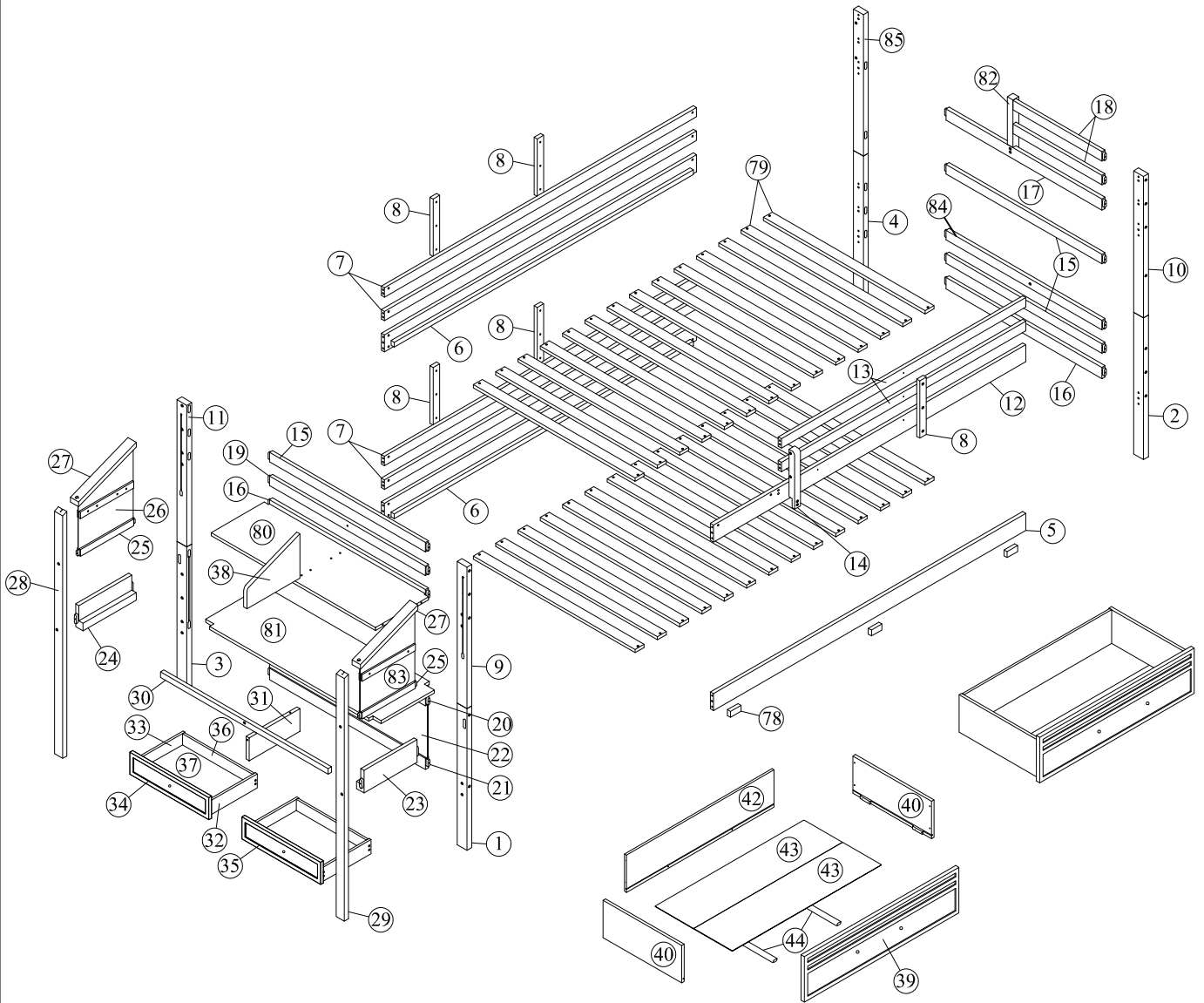
<i>Bed Type</i>	<i>Length</i>	<i>Width</i>	<i>Thickness</i>
<i>Twin Standard</i>	<i>74"-75"</i>	<i>37 1/2"- 38"</i>	<i>6" max</i>

Lower bed

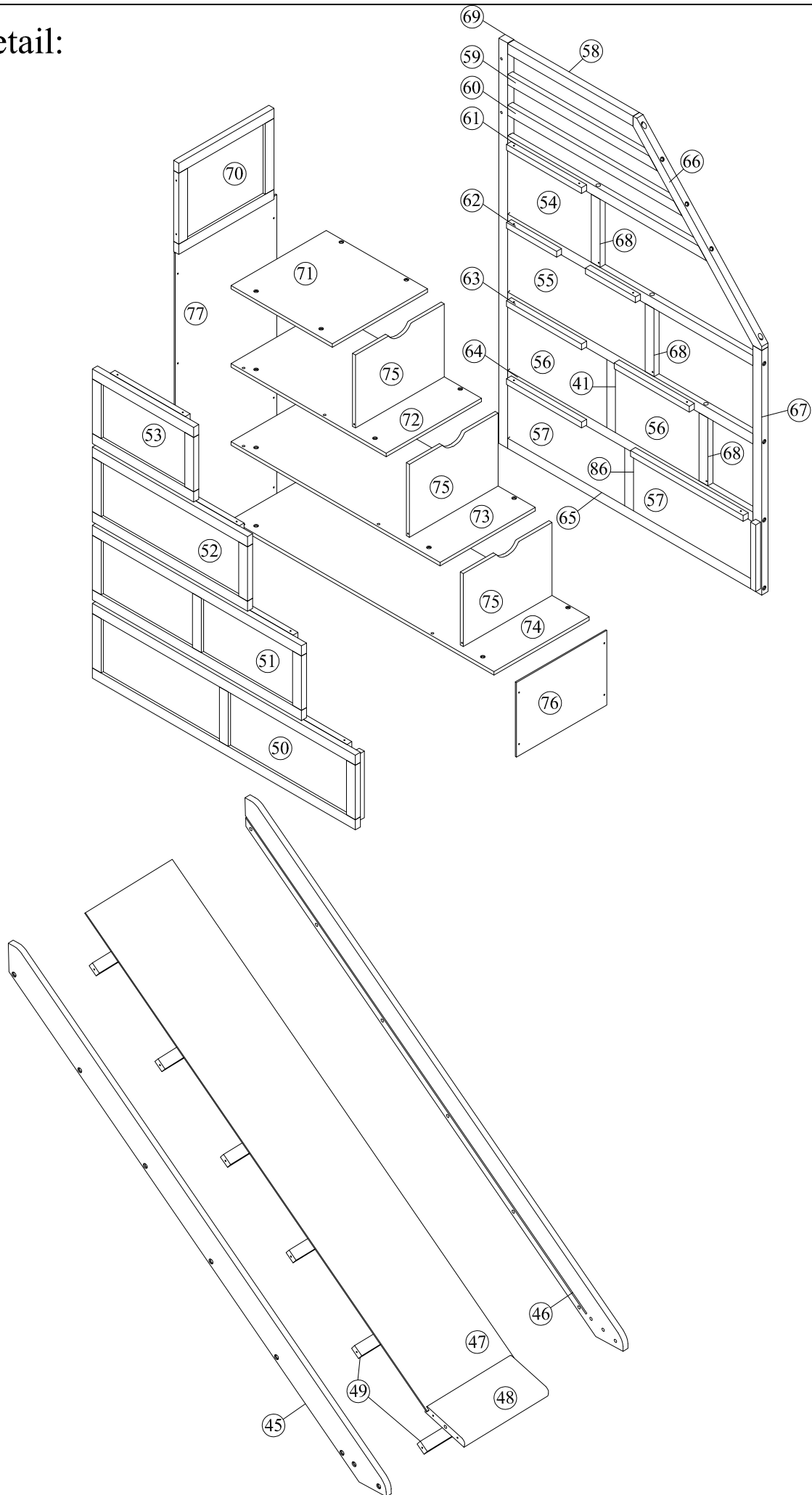
<i>Bed Type</i>	<i>Length</i>	<i>Width</i>	<i>Thickness</i>
<i>Twin Standard</i>	<i>74"-75"</i>	<i>37 1/2"- 38"</i>	<i>8" max</i>

2. Replacement parts, including additional guardrails, maybe obtained from any of our (GIGACLOUDTECHNOLOGY (USA) INC. 18961 ARENTH AVENUE CITY OF INDUSTRY, CA, 91748) dealers.
3. Follow the information on the warnings appearing on the upper bunk bed end structure and on the carton. Do not remove warning label from bed.
4. Always use the recommended size mattresses or mattress supports, or both, to help prevent the likelihood of entrapment or falls.
5. Surface of the mattress must be at least 5". (127 mm) below the upper edge of guardrails.
6. Do not allow children under 6 years of age to use the upper bunk.
7. Periodically check and ensure that the guardrail, ladder, and other components are in their proper position, free from damage, and that all connectors are tight.
8. Do not allow horseplay on or under the bed and prohibit jumping on the bed
9. Always use the ladder for entering and leaving the upper bunk.
10. Do not use substitute parts. Contact the manufacturer or dealer for replacement parts.
11. Use of a night light may provided added safety precaution for a child using the upper bunk.
12. Always use guardrails on both long sides of the upper bunk. If the bunk bed will be placed next to the wall, the guardrail that runs the full length of the bed should be placed against the wall to prevent entrapment between the bed and wall.
13. The use of water or sleep flotation mattresses is prohibited.
14. STRANGULATION HAZARD - Never attach or hang items to any part of the bunk bed that are not designed for use with the bed; for example, but not limited to, hook, belts and jump ropes.
15. Keep these instructions for future reference
16. Prohibit more than one person on upper bunk.
17. We recommend assembling your bunk bed on the shipping carton to protect your floor or carpet.
18. Be certain all staples are out of the box before beginning assembly on the shipping carton.


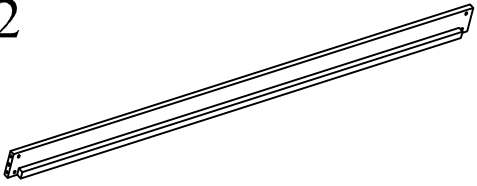
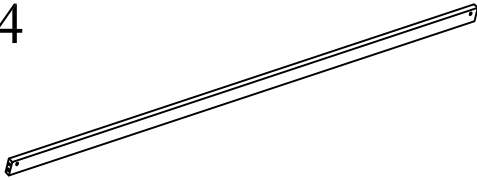
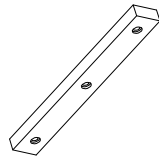
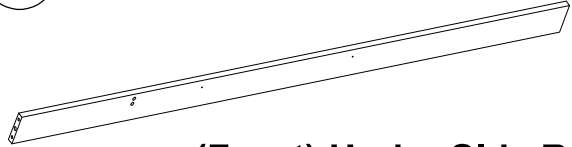
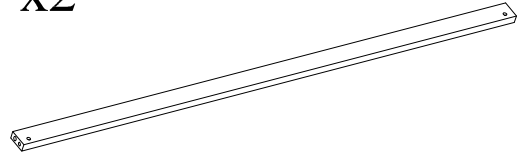
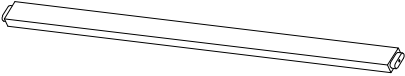
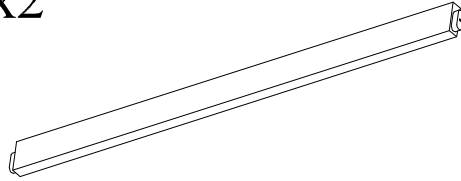
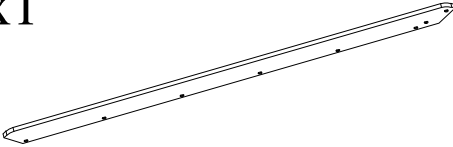
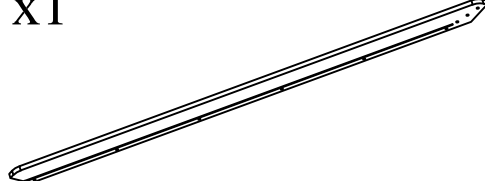
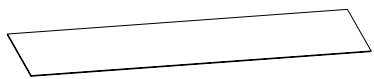
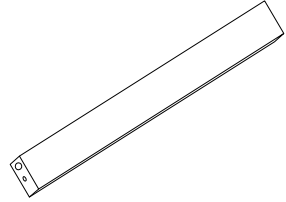
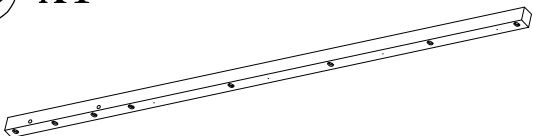
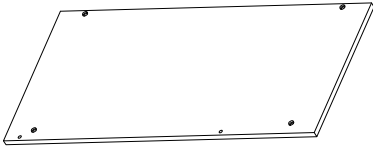
Detail:



Detail:

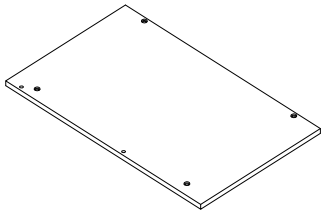


Part List (WF302564)

<p>⑤ x1</p>  <p style="text-align: center;">(Front) Upper Side Rail</p>	<p>⑥ x2</p>  <p style="text-align: center;">(Back) Upper Side Rail</p>
<p>⑦ x4</p>  <p style="text-align: center;">Long Side Rail Guards</p>	<p>⑧ x3</p>  <p style="text-align: center;">Side Rail Support</p>
<p>⑫ x1</p>  <p style="text-align: center;">(Front) Under Side Rail</p>	<p>⑬ x2</p>  <p style="text-align: center;">Short Side Rail Guards</p>
<p>⑮ x3</p>  <p style="text-align: center;">Foodboard Guards</p>	<p>⑯ x2</p>  <p style="text-align: center;">Under Foodboard Guard</p>
<p>④⑤ x1</p>  <p style="text-align: center;">Side Rail Slide</p>	<p>④⑥ x1</p>  <p style="text-align: center;">Side Rail Slide</p>
<p>④⑦ x1</p>  <p style="text-align: center;">Bottom Slide</p>	<p>④⑨ x6</p>  <p style="text-align: center;">Support Slide</p>
<p>⑥⑨ x1</p>  <p style="text-align: center;">Frame Handrail Leg</p>	<p>⑦③ x1</p>  <p style="text-align: center;">Top Stair 3</p>

Part List (WF302564)

72 x1



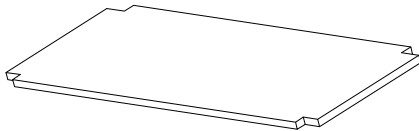
Top Stair 2

74 x1



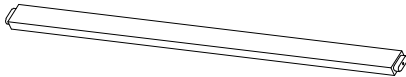
Top Stair 4

81 x1



Top Table

84 x1



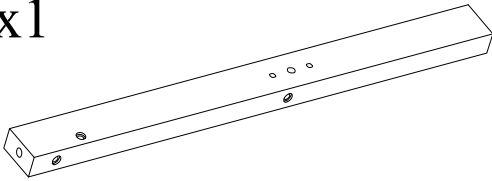
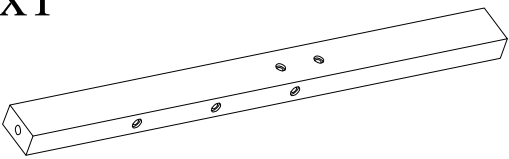
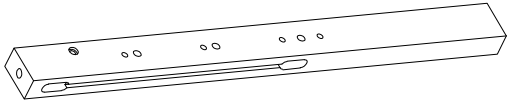
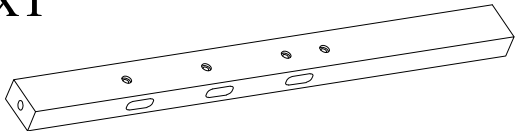
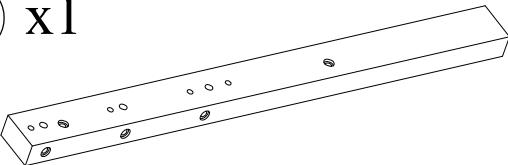
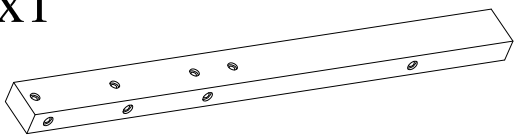
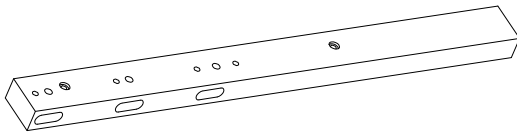
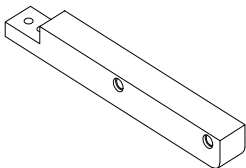
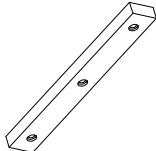
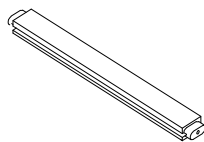
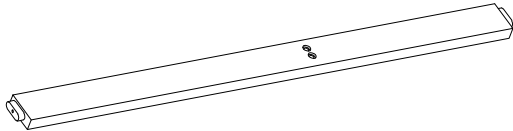
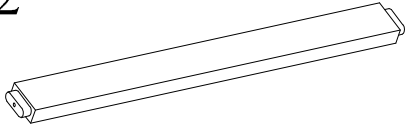
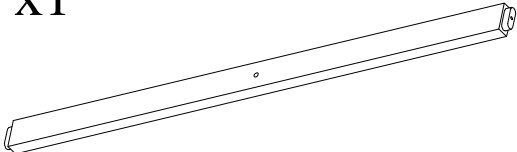
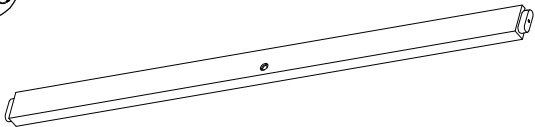
Foodboard Guards

79 x28



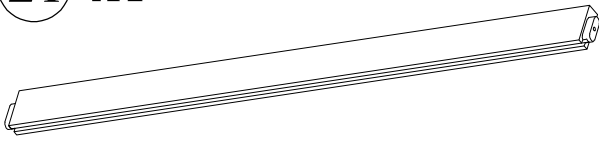
Slats

Part List (WF302565)

<p>① x1</p>  <p style="text-align: center;">Front Upper (Left) Leg</p>	<p>② x1</p>  <p style="text-align: center;">Front Upper (Right) Leg</p>
<p>③ x1</p>  <p style="text-align: center;">Back Upper (Left) Leg</p>	<p>④ x1</p>  <p style="text-align: center;">Back Upper (Right) Leg</p>
<p>⑨ x1</p>  <p style="text-align: center;">Front Under (Left) Leg</p>	<p>⑩ x1</p>  <p style="text-align: center;">Front Under (Right) Leg</p>
<p>⑪ x1</p>  <p style="text-align: center;">Back Under (Left) Leg</p>	<p>⑭ x1</p>  <p style="text-align: center;">Support Side Rail</p>
<p>⑧ x2</p>  <p style="text-align: center;">Side Rail Support</p>	<p>⑧⑥ x1</p>  <p style="text-align: center;">Panel Ladder Post</p>
<p>⑰ x1</p>  <p style="text-align: center;">Under Headdboard Guards</p>	<p>⑱ x2</p>  <p style="text-align: center;">Under Short Headboard Guards</p>
<p>⑲ x1</p>  <p style="text-align: center;">Under Foodboard Guards</p>	<p>⑳ x1</p>  <p style="text-align: center;">Under Foodboard Guard</p>

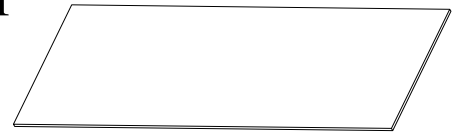
Part List (WF302565)

21 x1



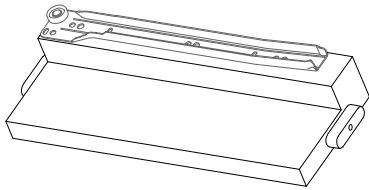
Under Foodboard Guards

22 x1



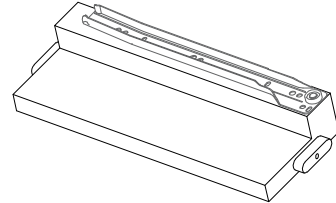
Panel Headboard

23 x1



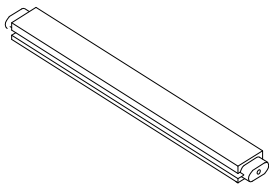
Sliding Rail Support

24 x1



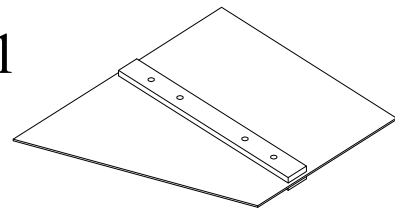
Sliding Rail Support

25 x2



Frame Table

26 x1



(Left) Panel Table

27 x2

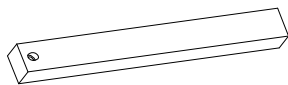
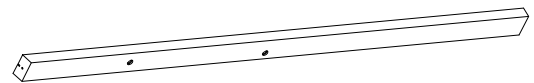


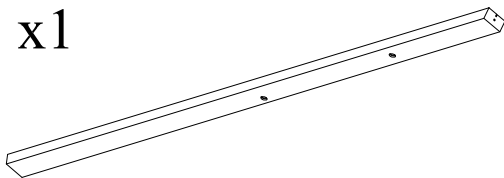
Table Protection Bar

28 x1



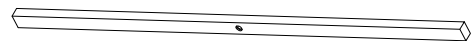
(Left) Leg Table

29 x1



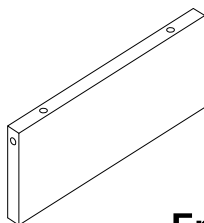
(Right) Leg Table

30 x1



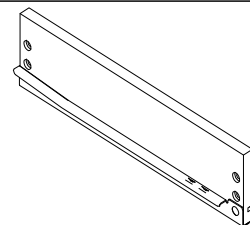
Frame Table

31 x1



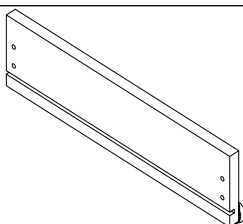
Frame Table

32 x2



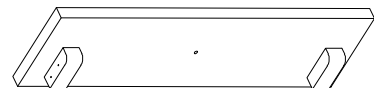
Left Side Drawers

33 x2




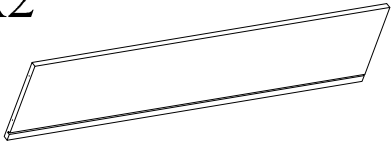
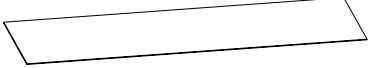
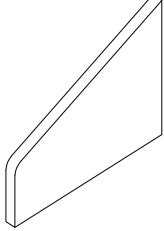
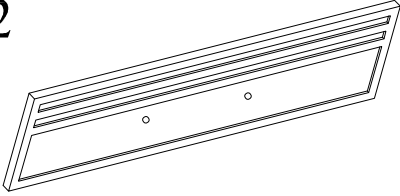
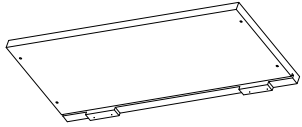
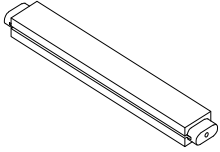
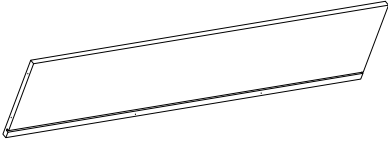
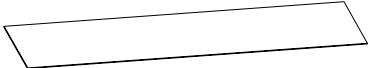
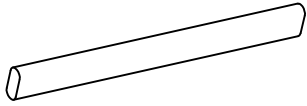
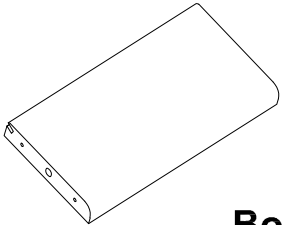
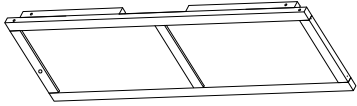
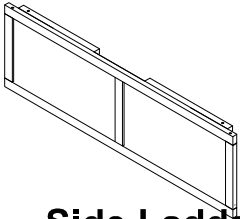
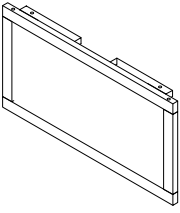
Right Side Drawers

34 x1



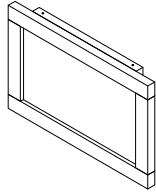
Front Drawer (Left)

Part List (WF302565)

<p>35 x1</p>  <p style="text-align: center;">Front Drawer (Right)</p>	<p>36 x2</p>  <p style="text-align: center;">Back Drawers</p>
<p>37 x2</p>  <p style="text-align: center;">Bottom Drawers</p>	<p>38 x1</p>  <p style="text-align: center;">Mid Shelf</p>
<p>39 x2</p>  <p style="text-align: center;">Front Drawers</p>	<p>40 x4</p>  <p style="text-align: center;">Side Drawers</p>
<p>41 x1</p>  <p style="text-align: center;">Frame Handrails</p>	<p>42 x2</p>  <p style="text-align: center;">Back Drawers</p>
<p>43 x4</p>  <p style="text-align: center;">Bottom Drawers</p>	<p>44 x4</p>  <p style="text-align: center;">Support Drawers</p>
<p>48 x1</p>  <p style="text-align: center;">Bottom Slide</p>	<p>50 x1</p>  <p style="text-align: center;">Side Ladder Post 4</p>
<p>51 x1</p>  <p style="text-align: center;">Side Ladder Post 3</p>	<p>52 x1</p>  <p style="text-align: center;">Side Ladder Post 2</p>

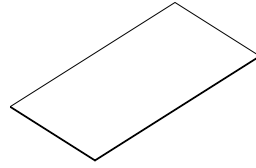
Part List (WF302565)

53 x1



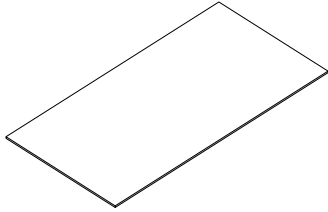
Side Ladder Post 1

54 x1



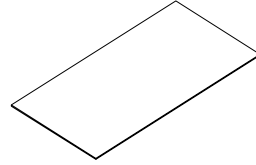
Panel Frame Handrail

55 x1



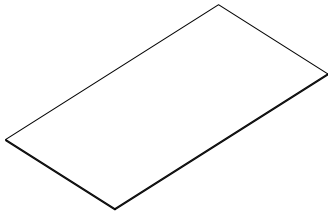
Panel Frame Handrail

56 x2



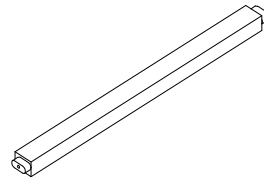
Panel Frame Handrail

57 x2



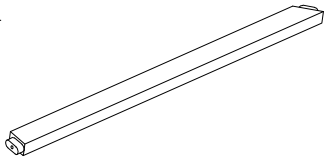
Panel Frame Handrail

58 x1



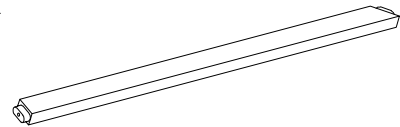
Frame Handrail

59 x1



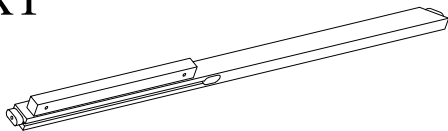
Frame Handrail

60 x1



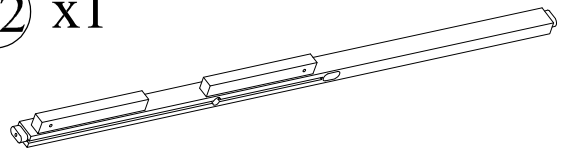
Frame Handrail

61 x1



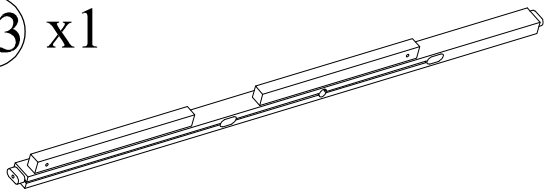
Frame Handrail

62 x1



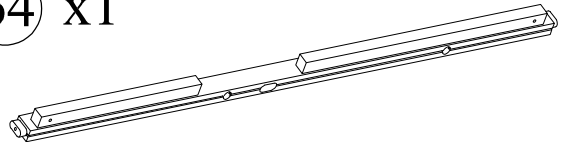
Frame Handrail

63 x1



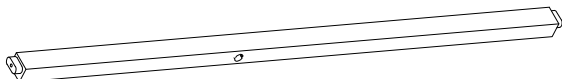
Frame Handrail

64 x1



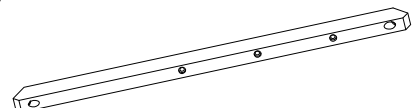
Frame Handrail

65 x1



Frame Handrail

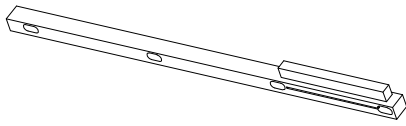
66 x1



Frame Handrail

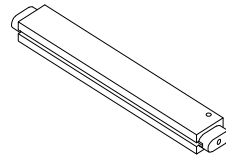
Part List (WF302565)

67 x1



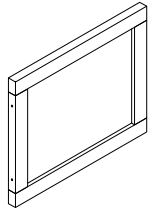
Frame Handrail

68 x3



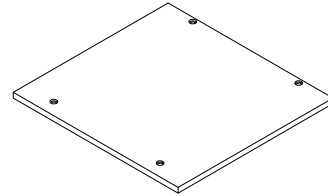
Frame Handrails

70 x1



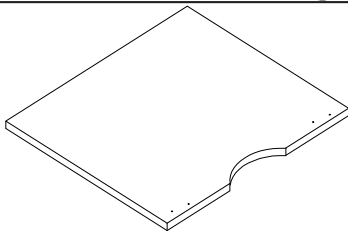
Front Leg Ladder

71 x1



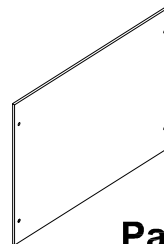
Top Stair 1

75 x3



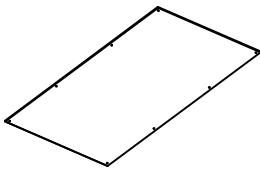
Front Ladder Posts

76 x1



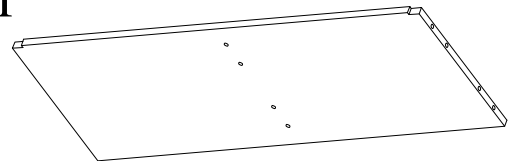
Panel Ladder Post 4

77 x1



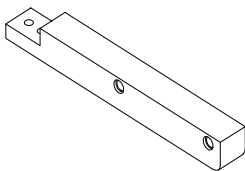
Back Panel Stair

80 x1



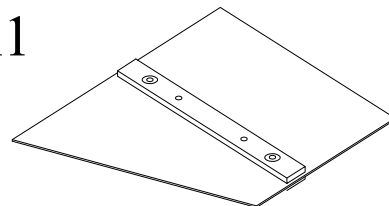
Bottom Shelf

82 x1



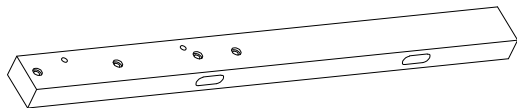
Support Side Rail

83 x1



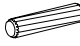



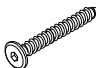
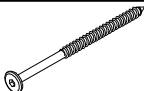

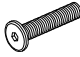


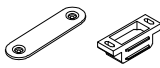


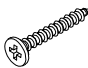
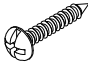

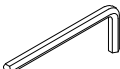

(Right) Panel Table

85 x1

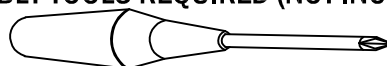


Back Under (Right) Leg


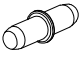
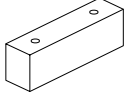
Hardware List (WF302565)

No.	OUTLOOK	DESC	QTY
(A)		Dowel Ø8*30mm	8
(B)		Dowel Ø10*40mm	34
(C)		Dowel Ø12*100mm	4
(D)		Screws Ø6.5*30mm	39
(E)		Screws Ø6.5*50mm	63
(F)		Screws Ø6.5*70mm	22
(G)		Bolts 1/4"*70mm	28
(H)		Bolts 1/4"*35mm	13
(I)		Knob	6
(J)		Bolts 1/4"*25mm	4
(K)		Inhaler Magnet	6
(M)		Cross dowel 1/4"*13mm	28
(N)		Screws #6*12mm	64
(O)		Flat head screw #7*15mm	12
(P)		Round head screw #8*20mm	12
(Q)		Flat head screw #8*25mm	98
(T)		Allen key 60*22*4mm	1
(R)		Wheels	8

ASSEMBLY TOOLS REQUIRED (NOT INCLUDED)



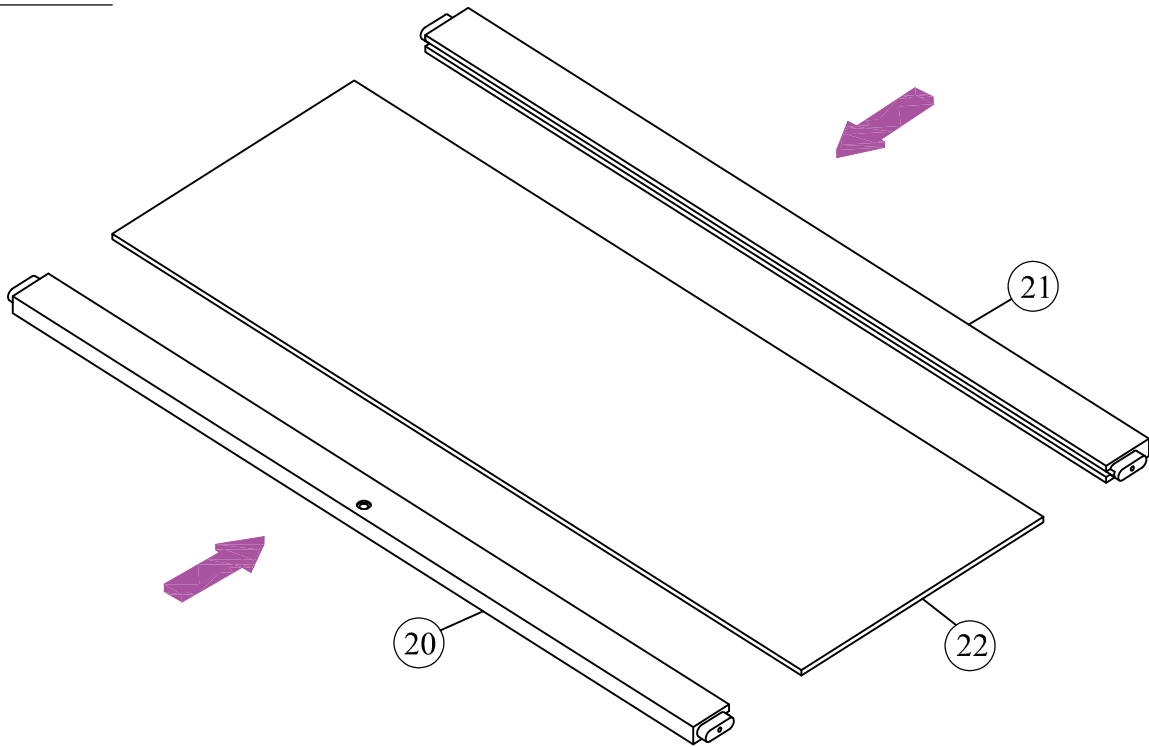
Hardware List (WF302565)

No.	OUTLOOK	DESC	QTY
(U)		Base L	10
(V)		Iron round pin Ø5*20mm	6
(78)		Stop Wood	3


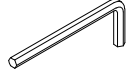
ASSEMBLY TOOLS REQUIRED (NOT INCLUDED)

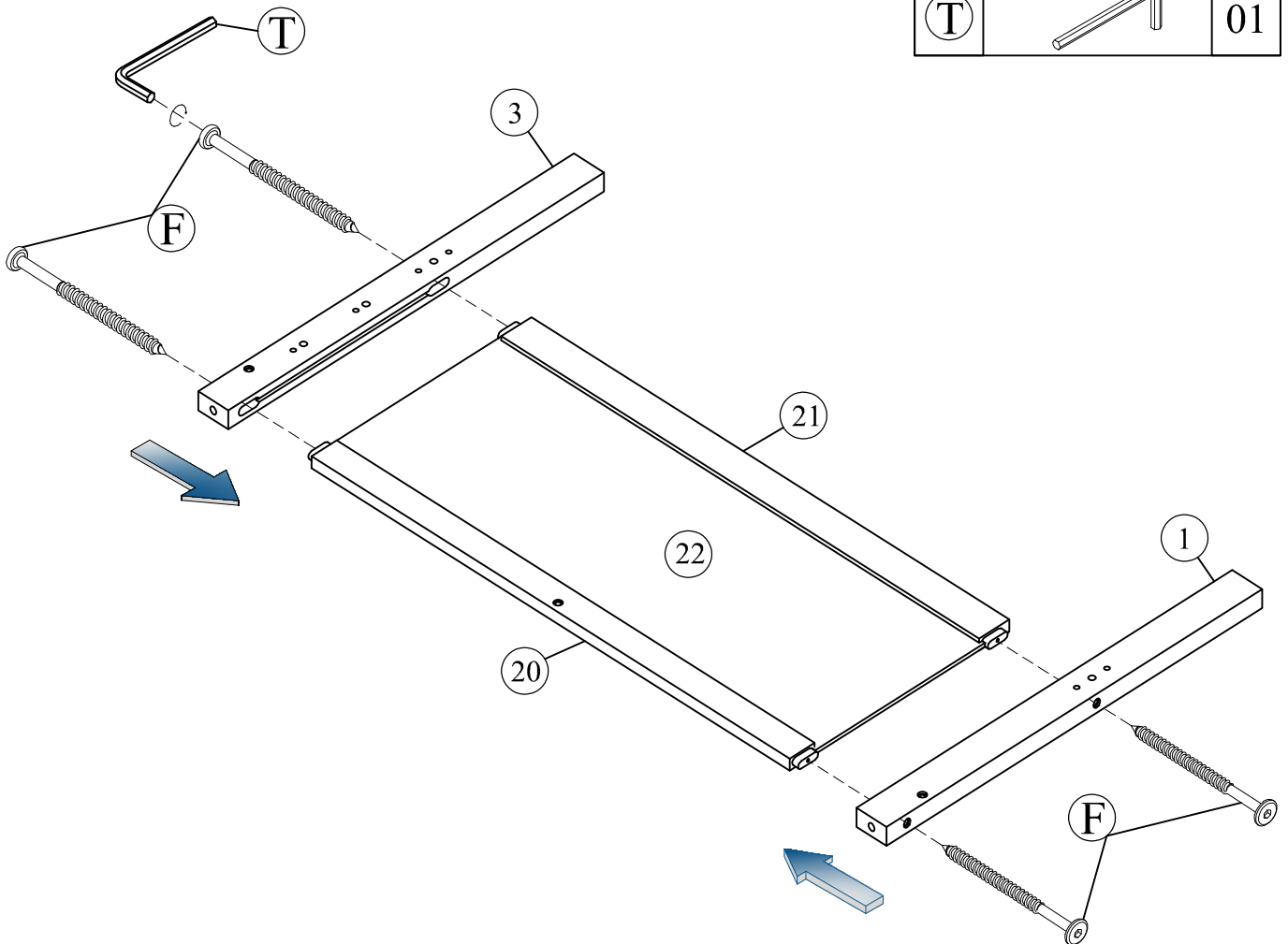


STEP 1:

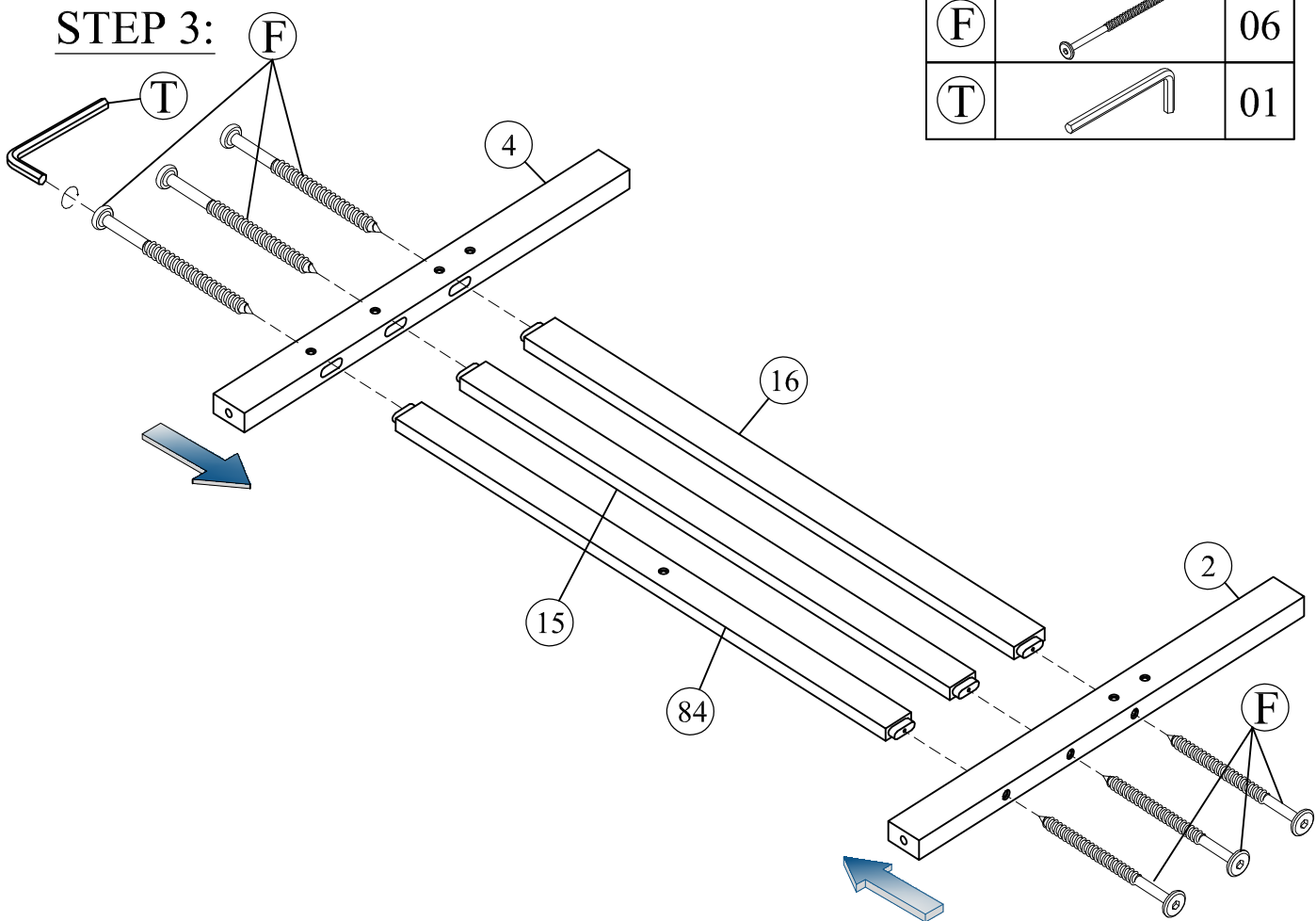


STEP 2:

(F)		04
(T)		01

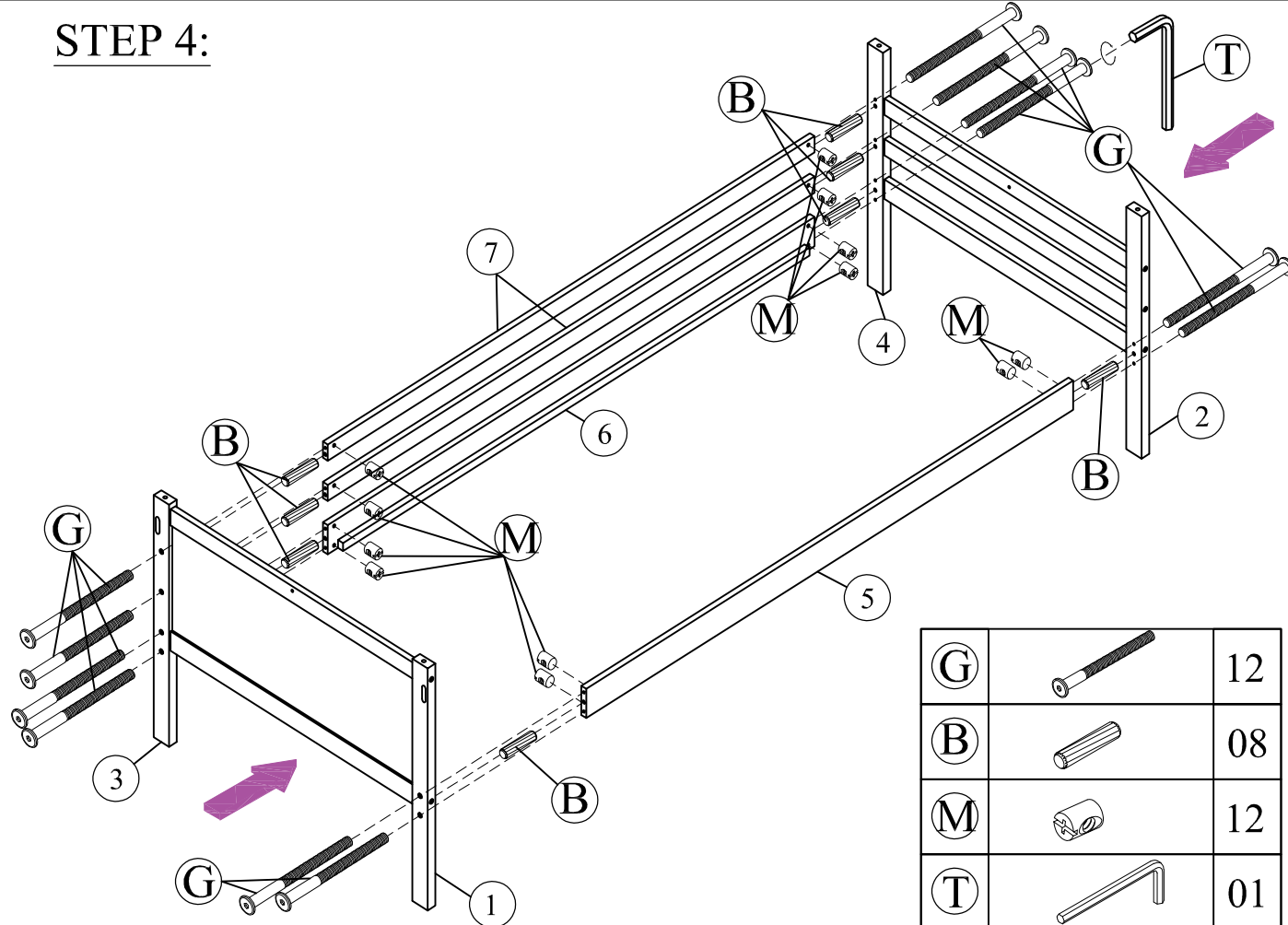


STEP 3:



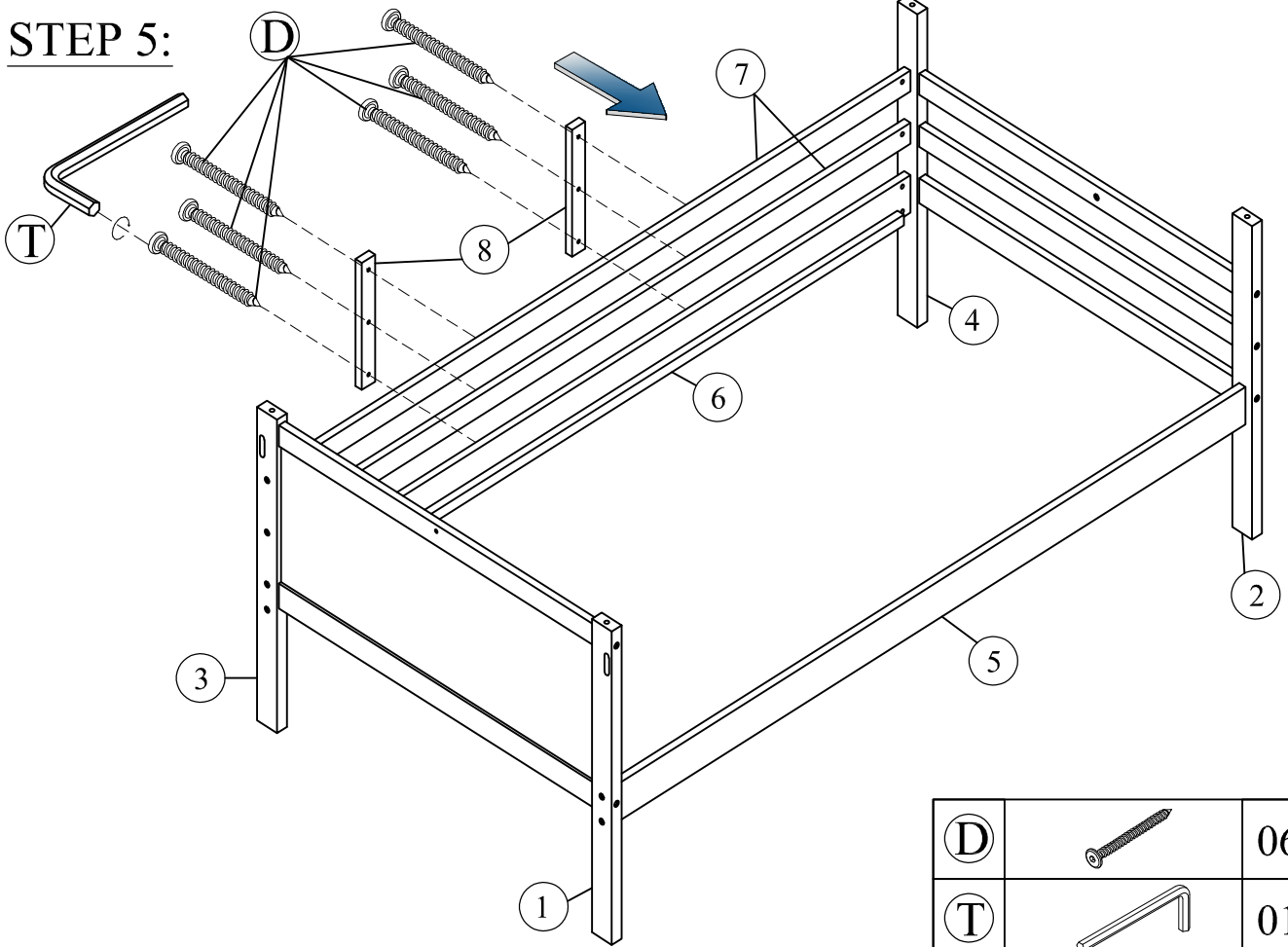
(F)		06
(T)		01



STEP 4:



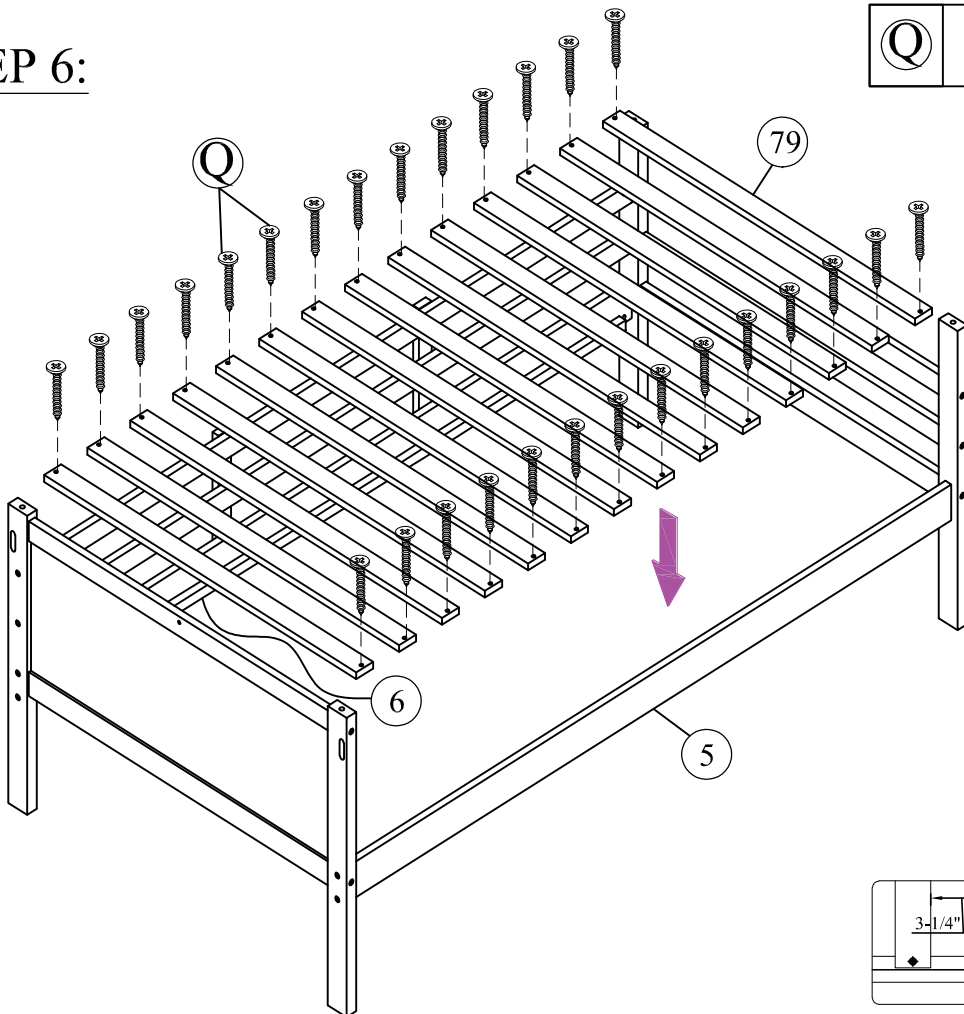
(G)		12
(B)		08
(M)		12
(T)		01


STEP 5:

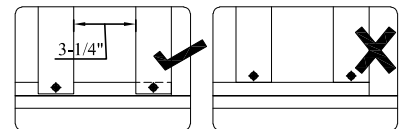


D		06
T		01


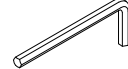
STEP 6:

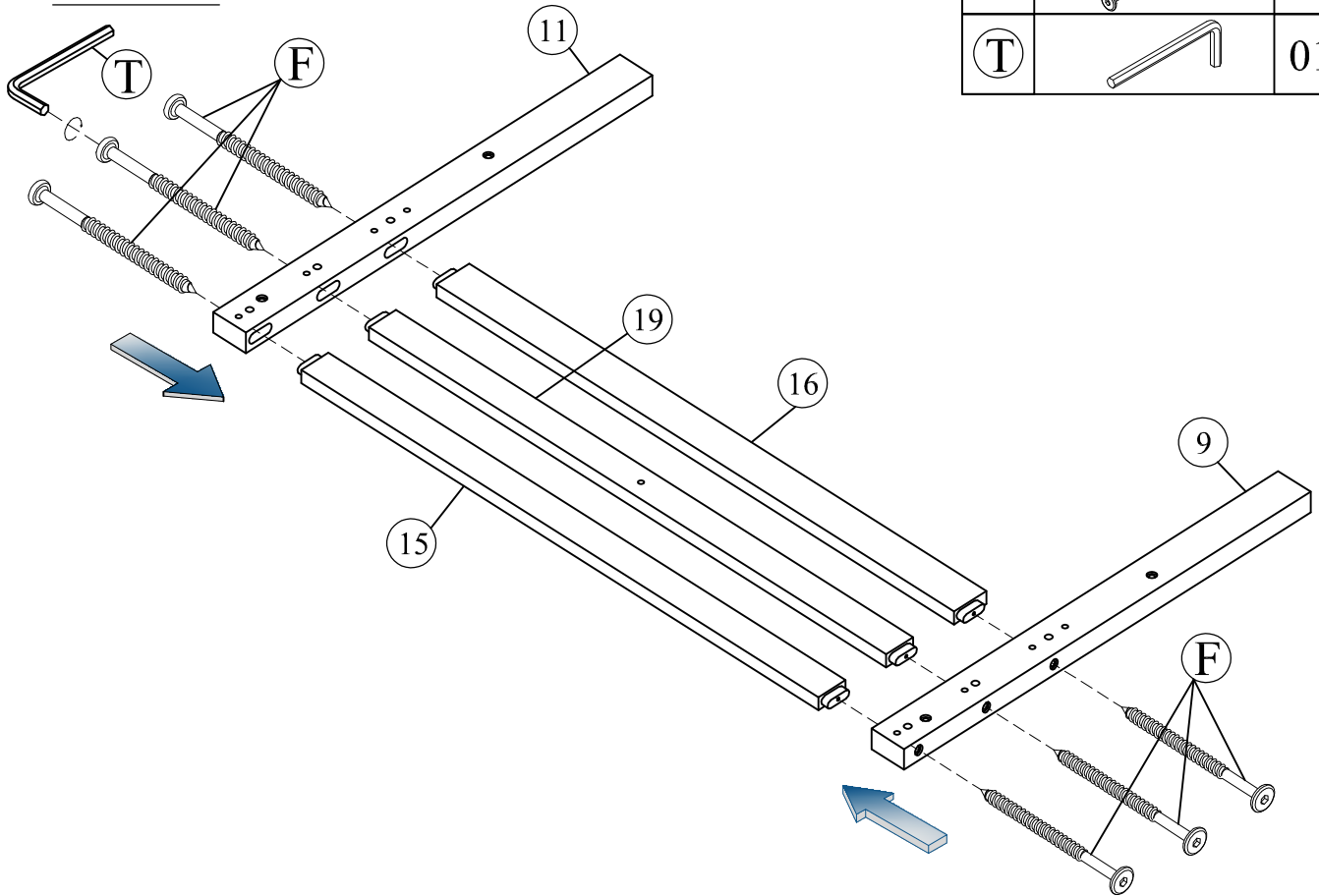


Q		28
---	---	----






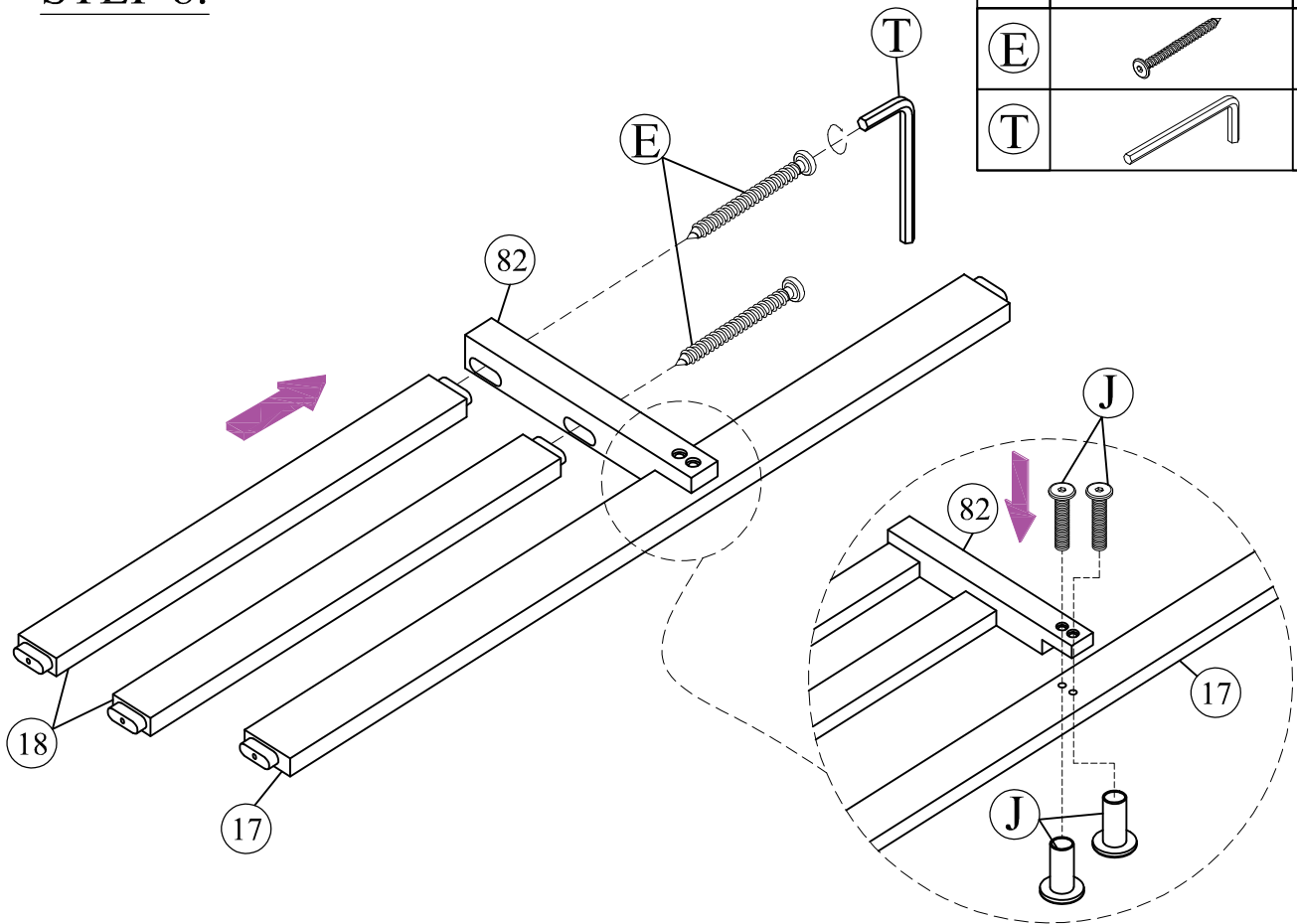
STEP 7:

(F)		06
(T)		01

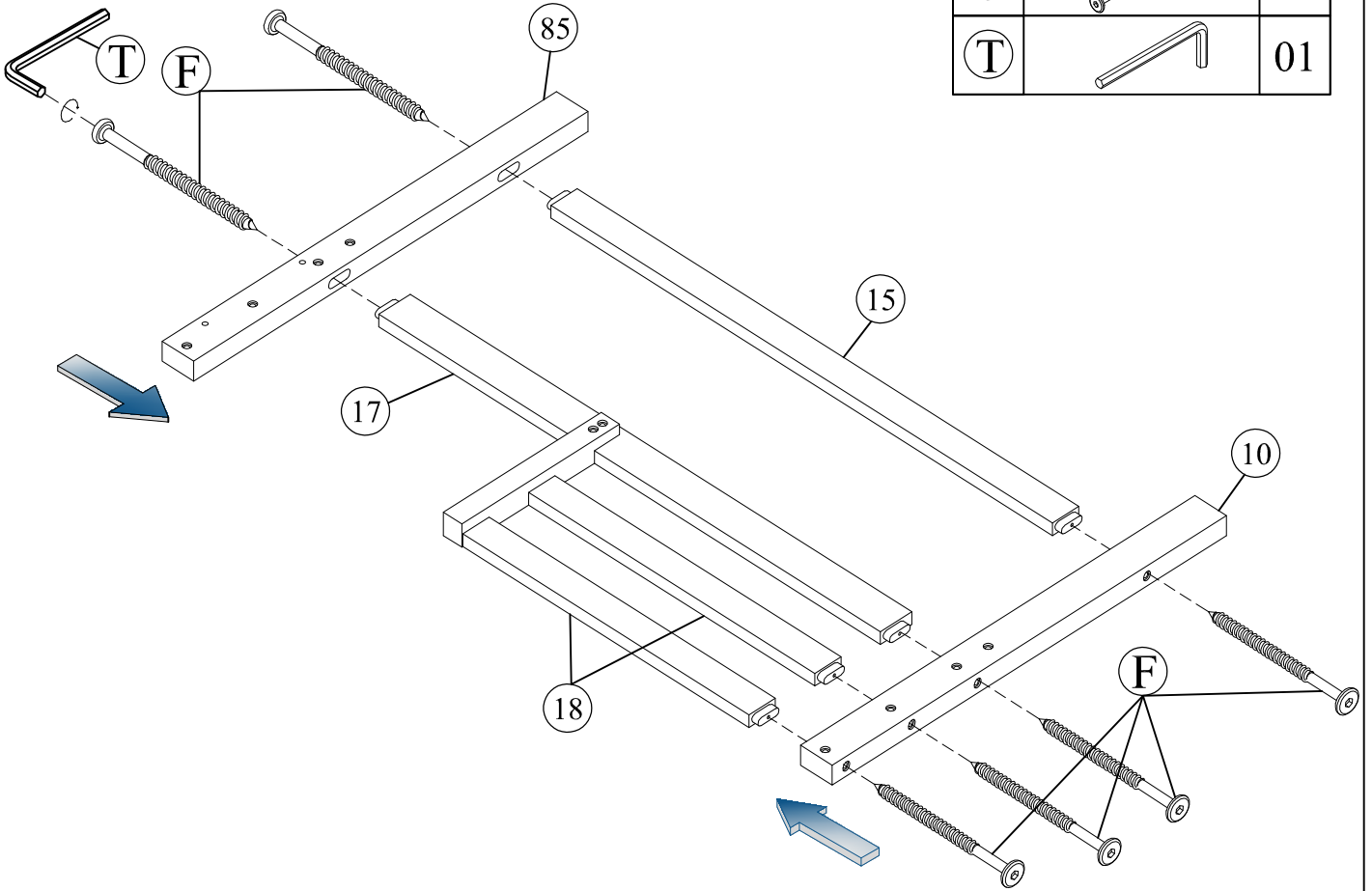



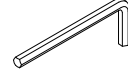
STEP 8:

(J)		02
(E)		02
(T)		01

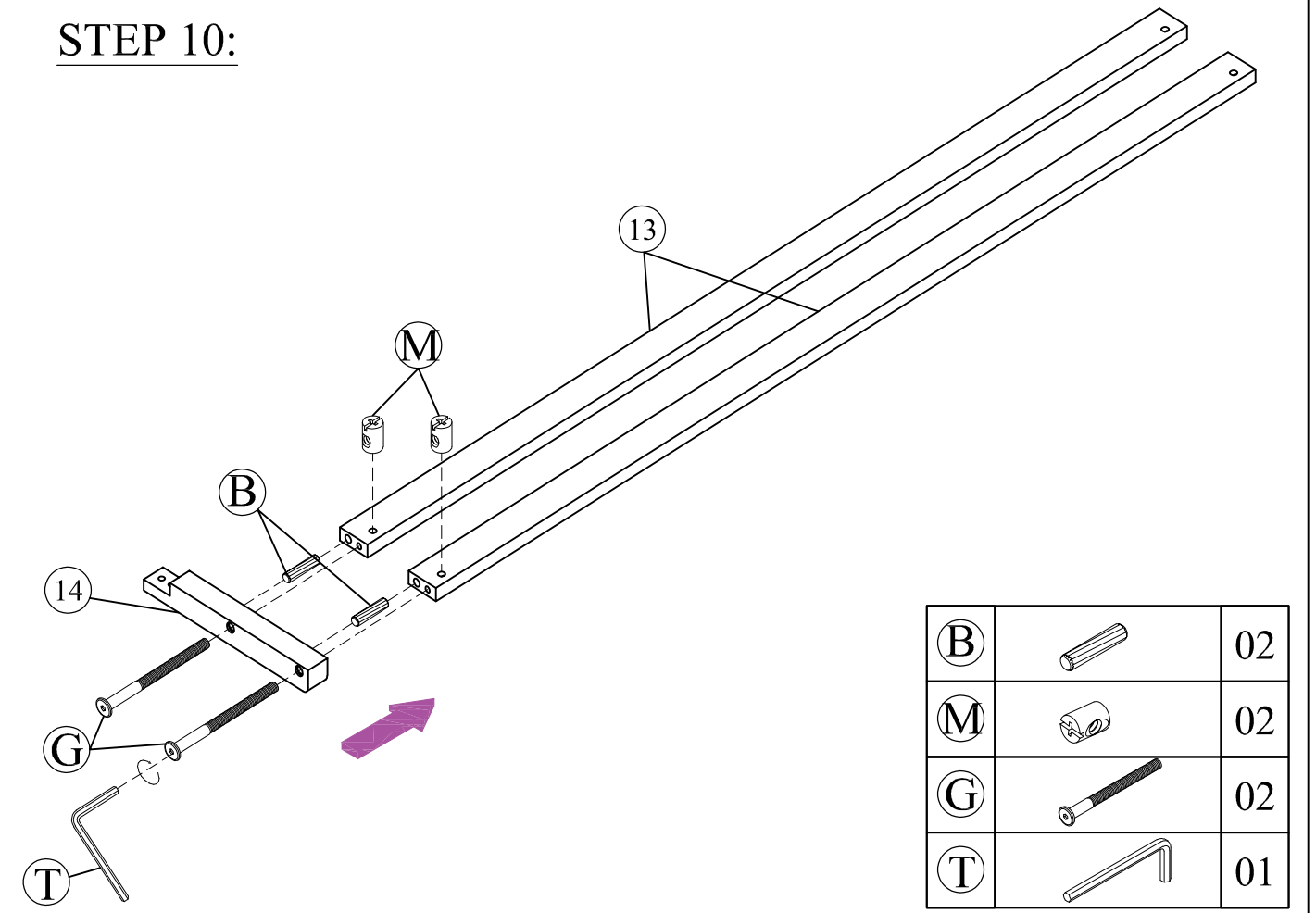




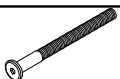

STEP 9:



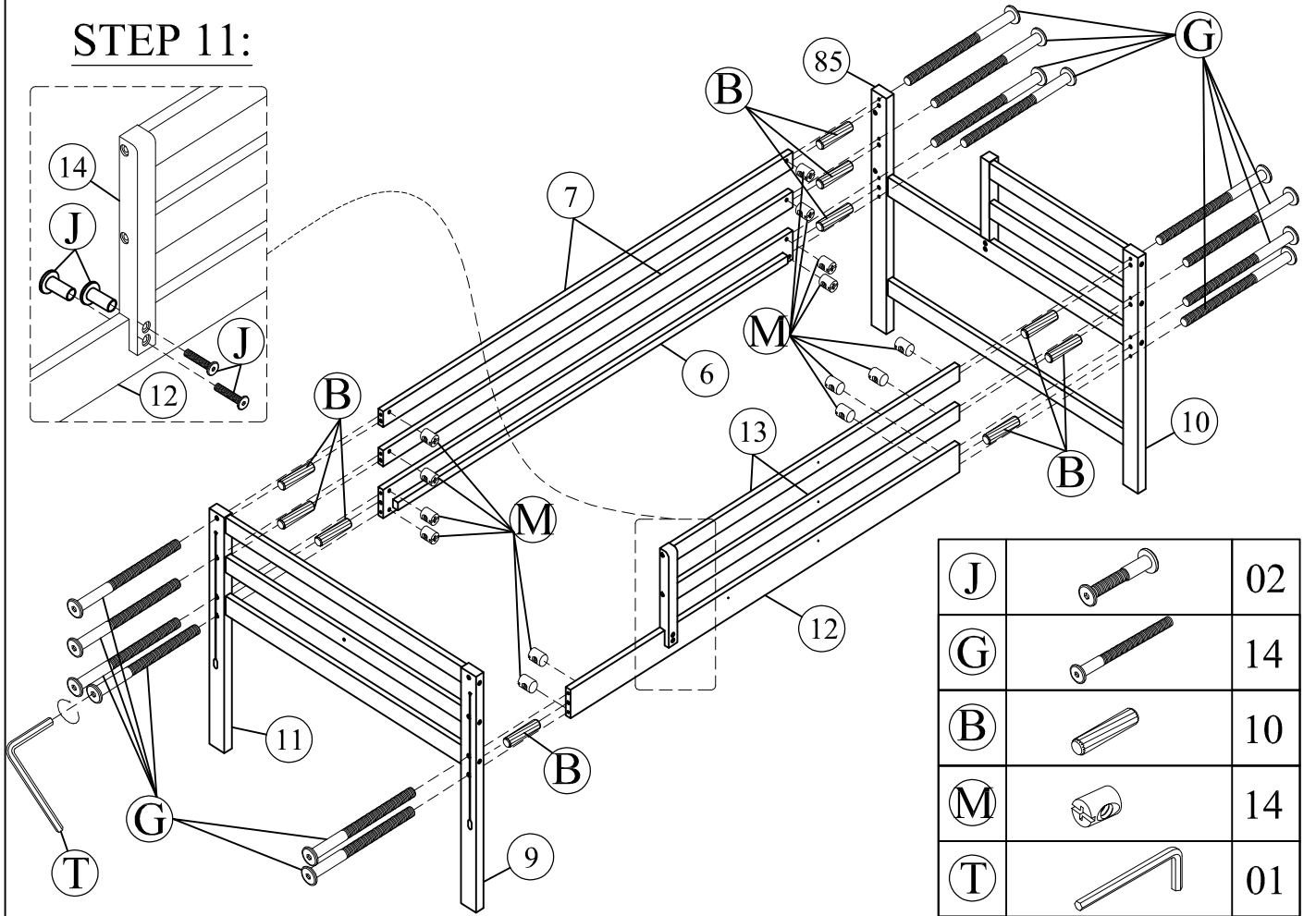
(F)		06
(T)		01


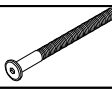
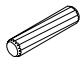

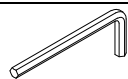
STEP 10:



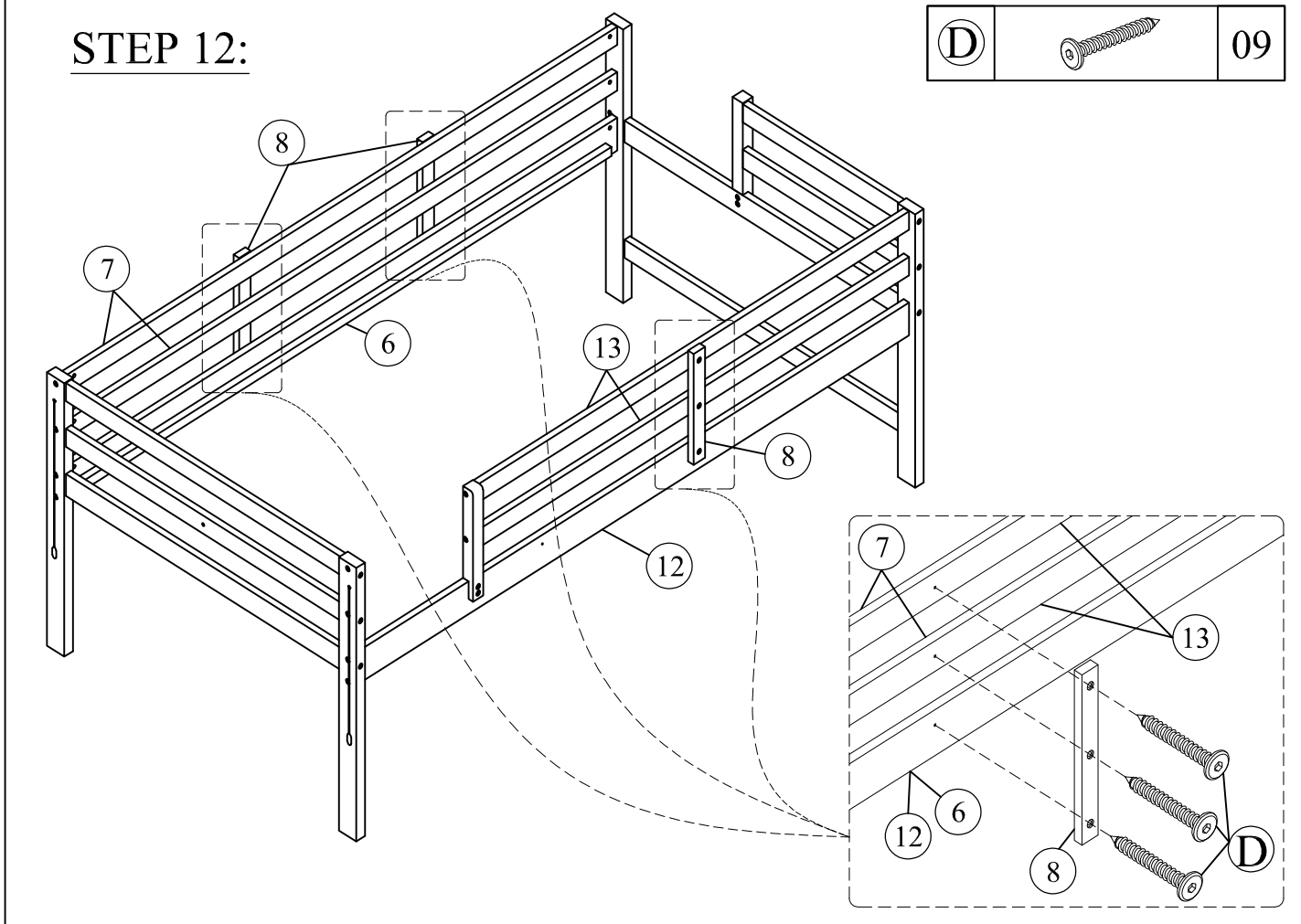
(B)		02
(M)		02
(G)		02
(T)		01

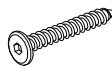
STEP 11:



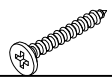
J		02
G		14
B		10
M		14
T		01

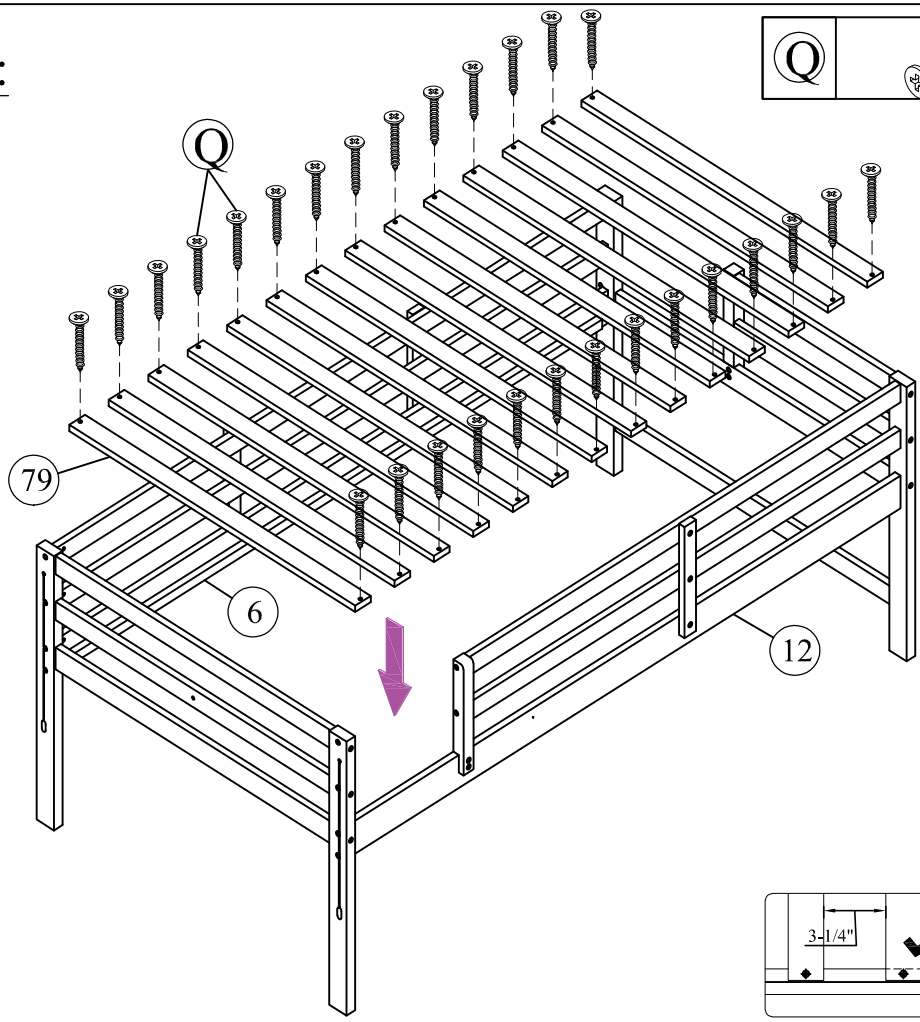
STEP 12:



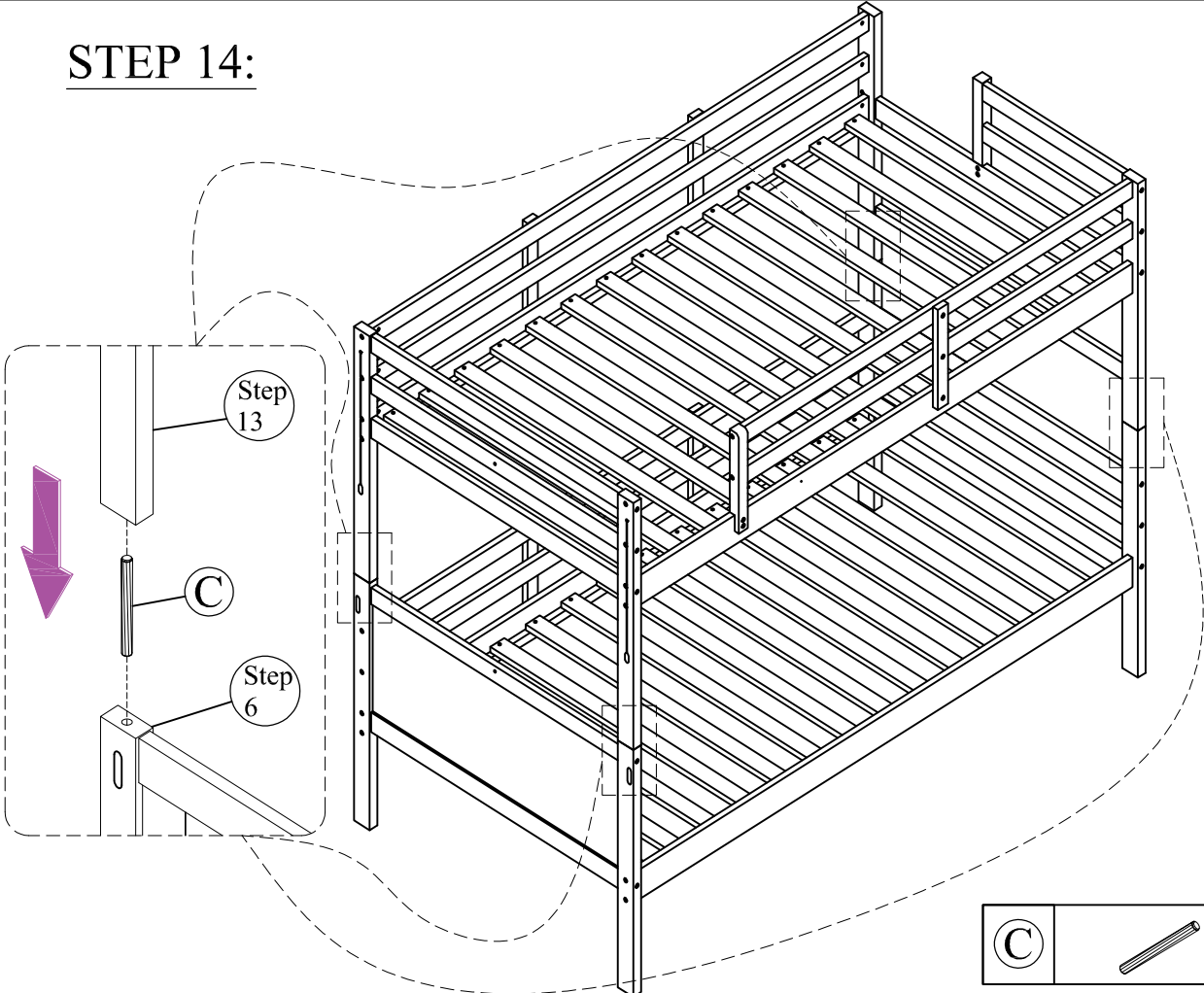
D		09
---	---	----


STEP 13:

Q		28
---	---	----

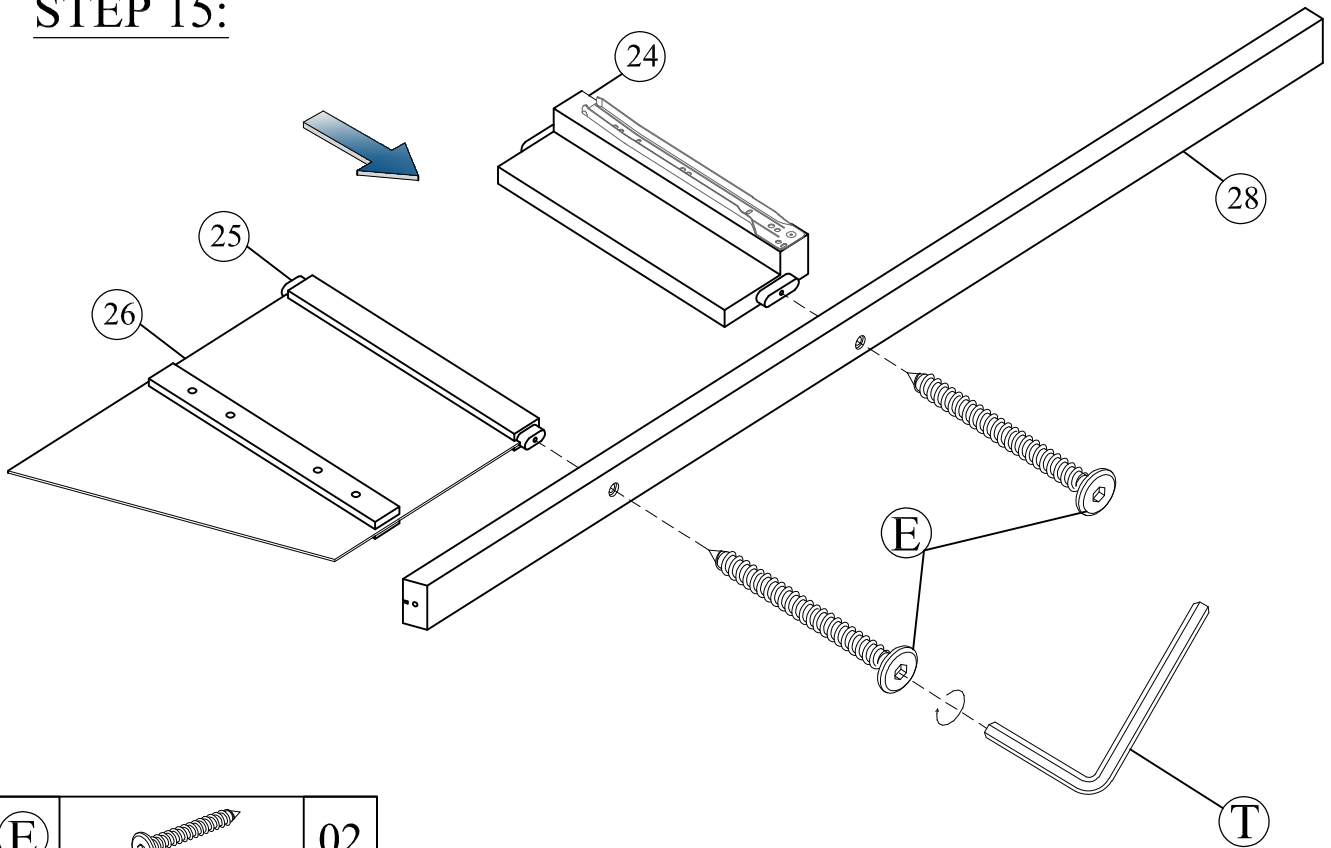


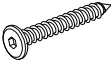
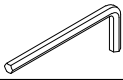
STEP 14:



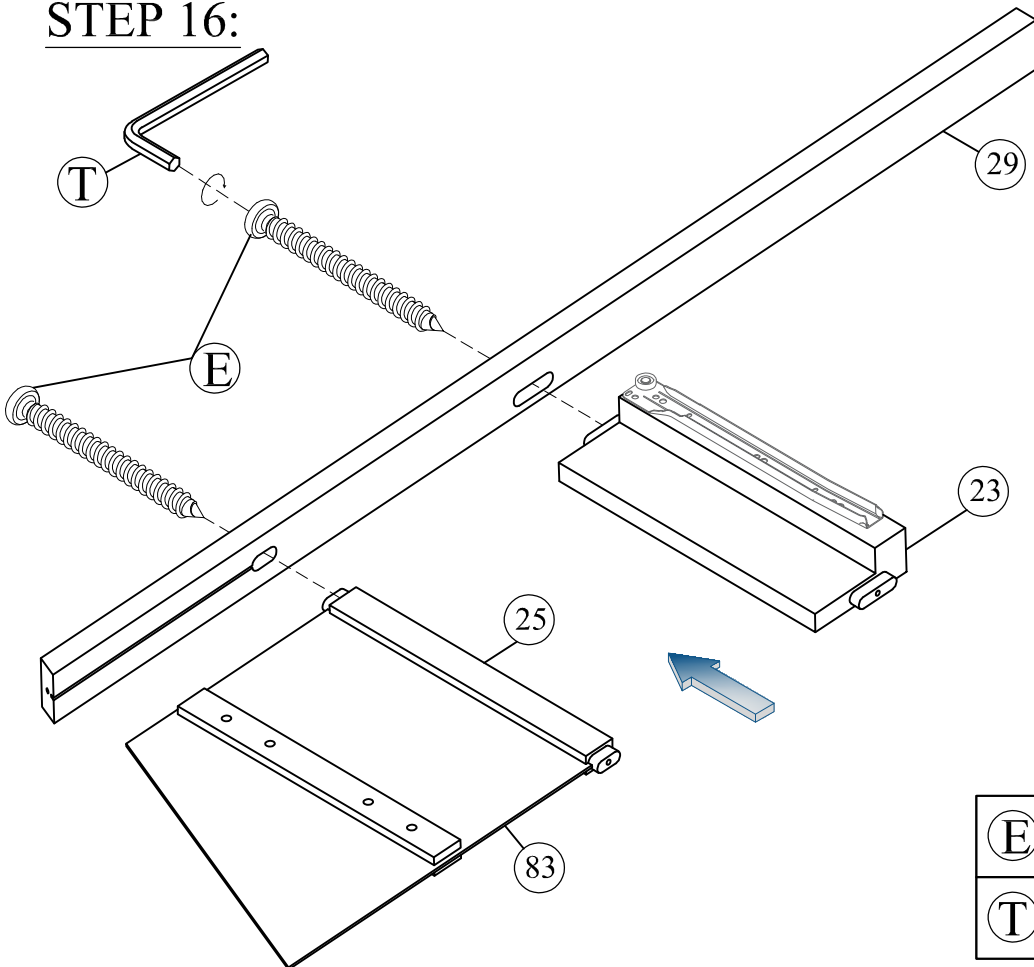
C		04
---	---	----

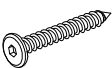
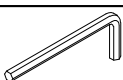
STEP 15:



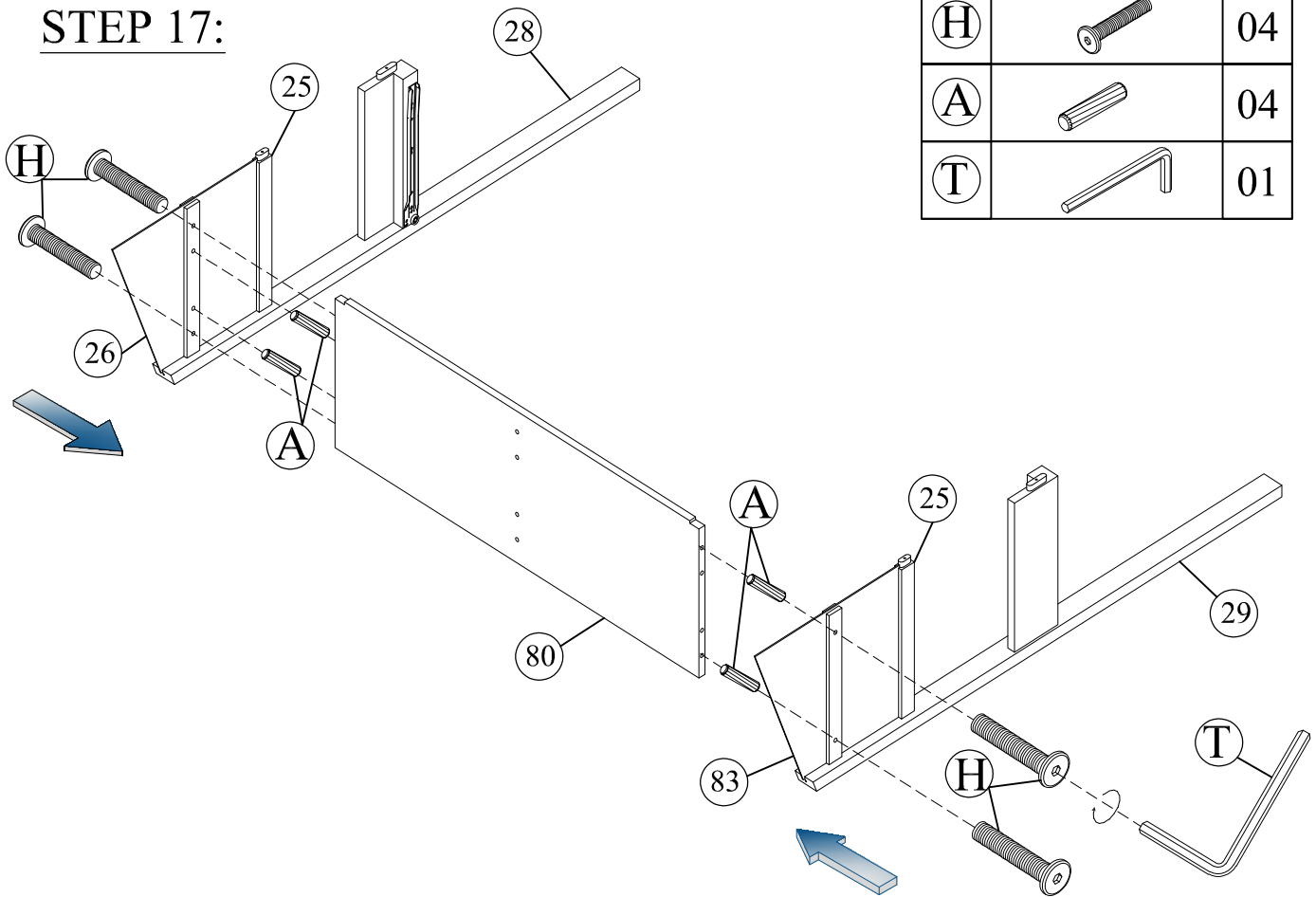
(E)		02
(T)		01


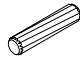

STEP 16:



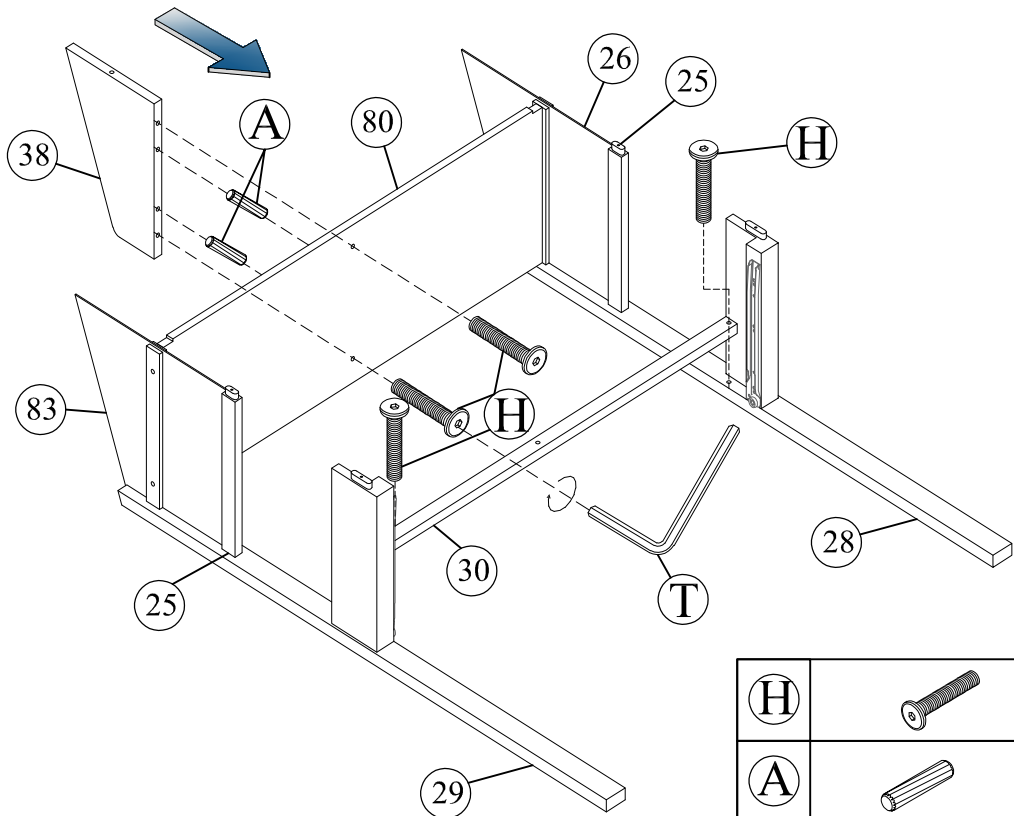
(E)		02
(T)		01

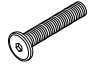
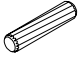
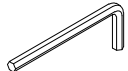
STEP 17:



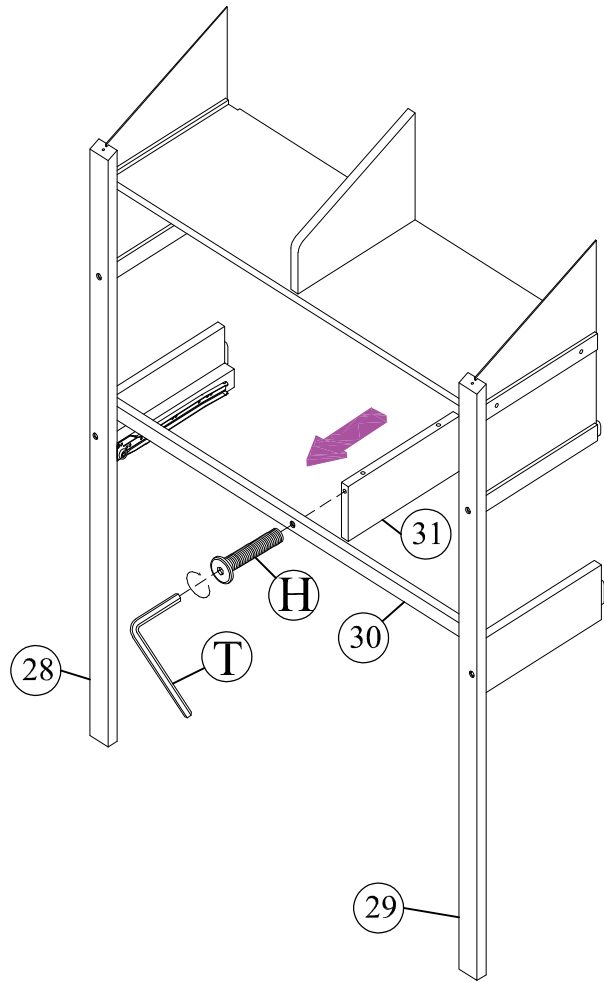
(H)		04
(A)		04
(T)		01

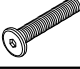

STEP 18:



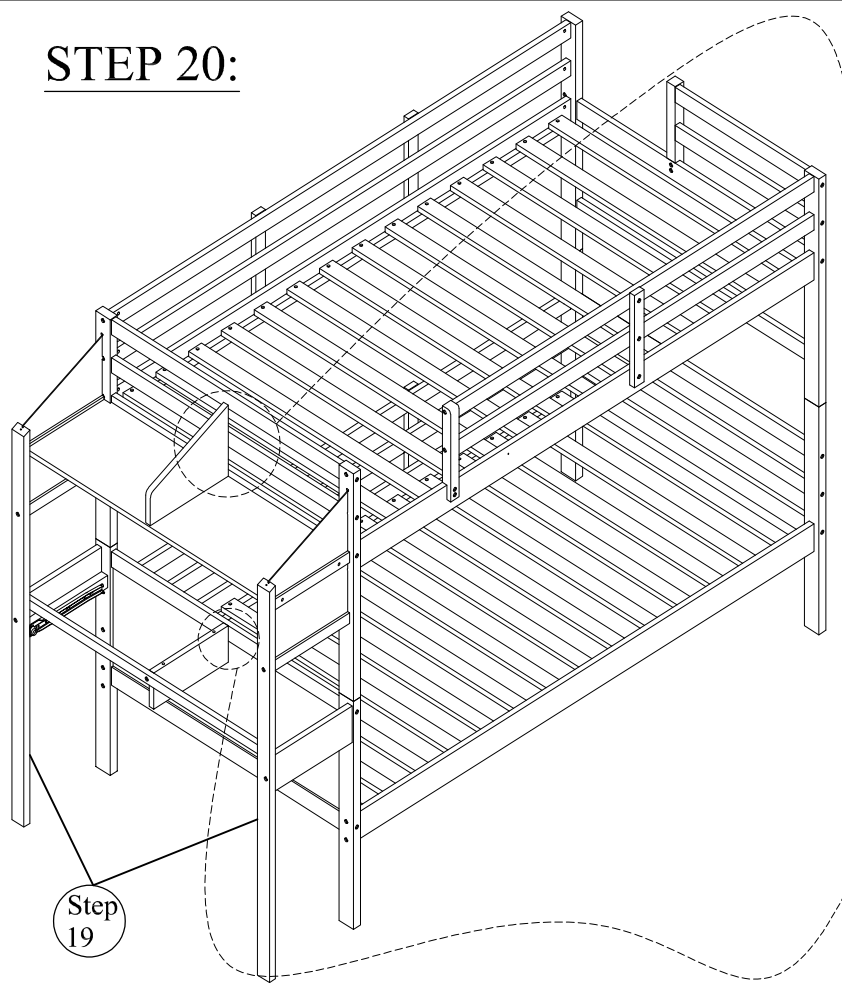
(H)		04
(A)		02
(T)		01



STEP 19:

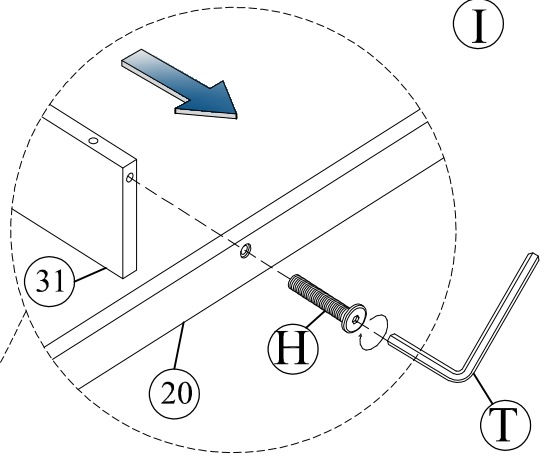
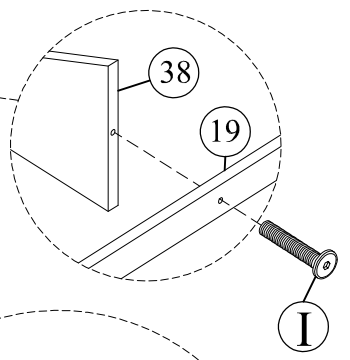


(H)		01
(T)		01

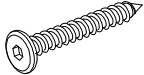
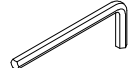
STEP 20:

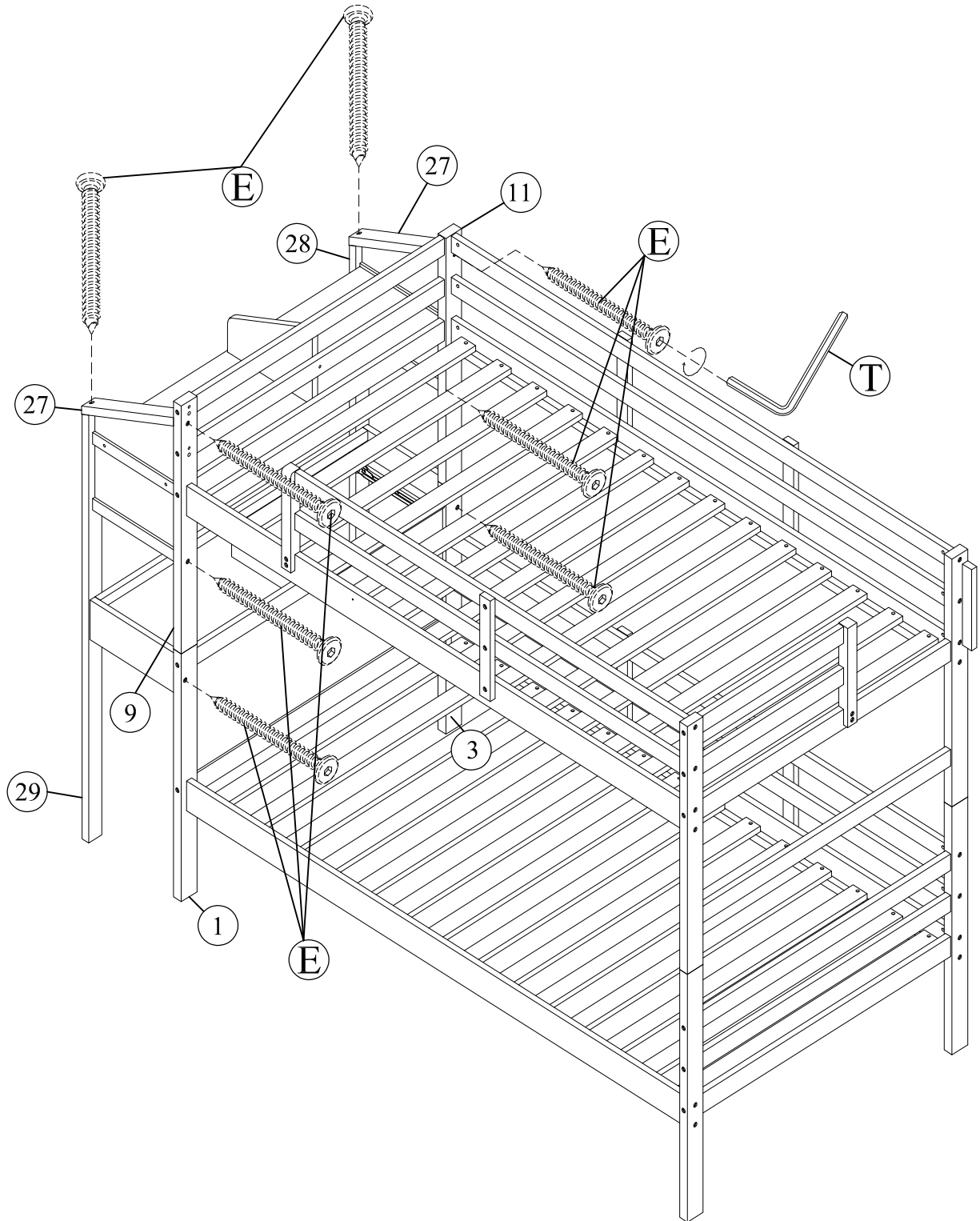


(H)		02
(T)		01

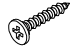



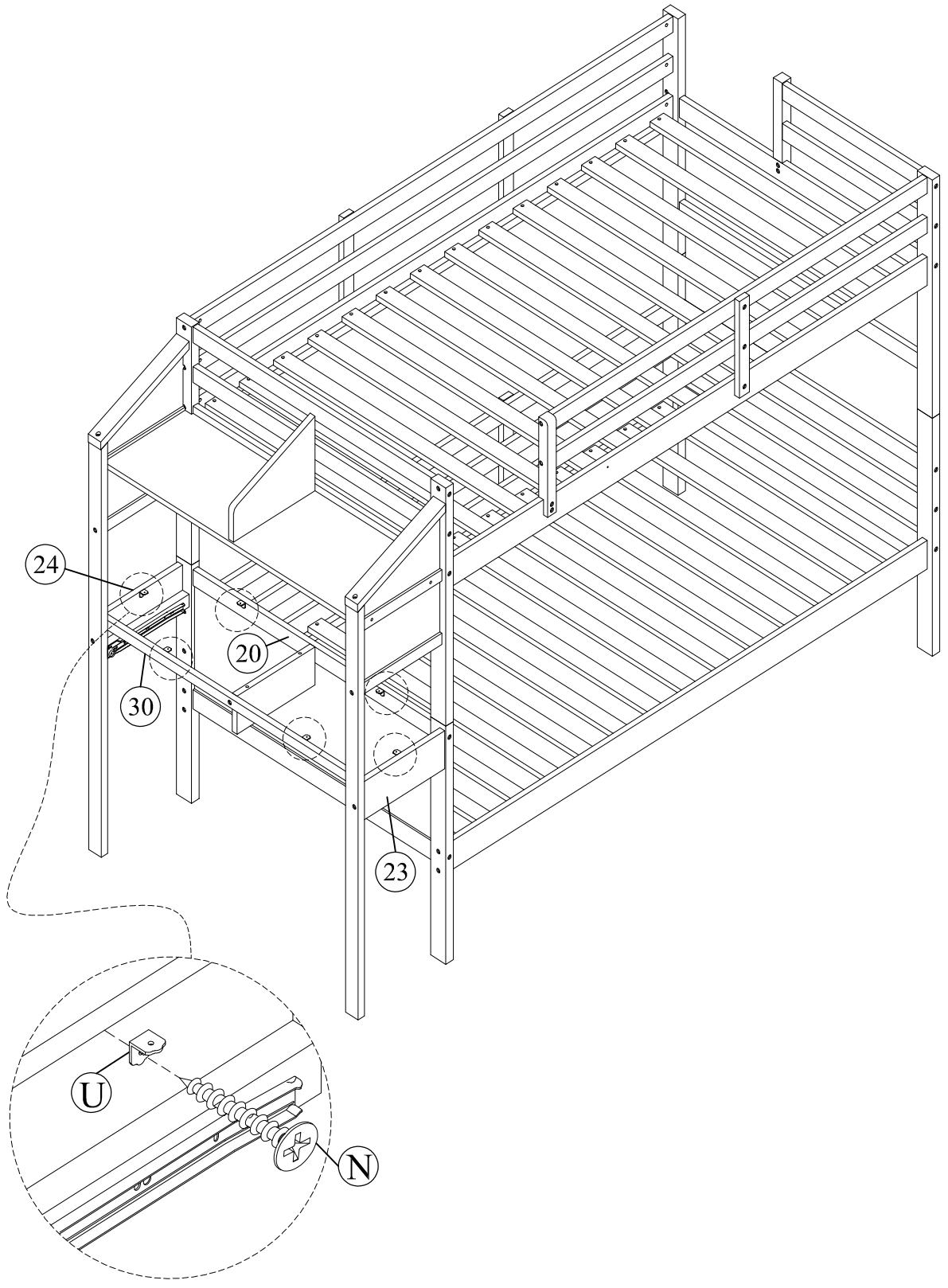
STEP 21:

(E)		08
(T)		01

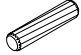


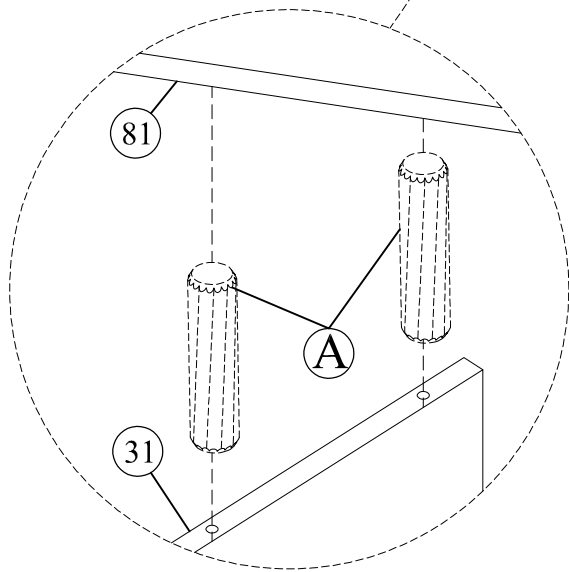
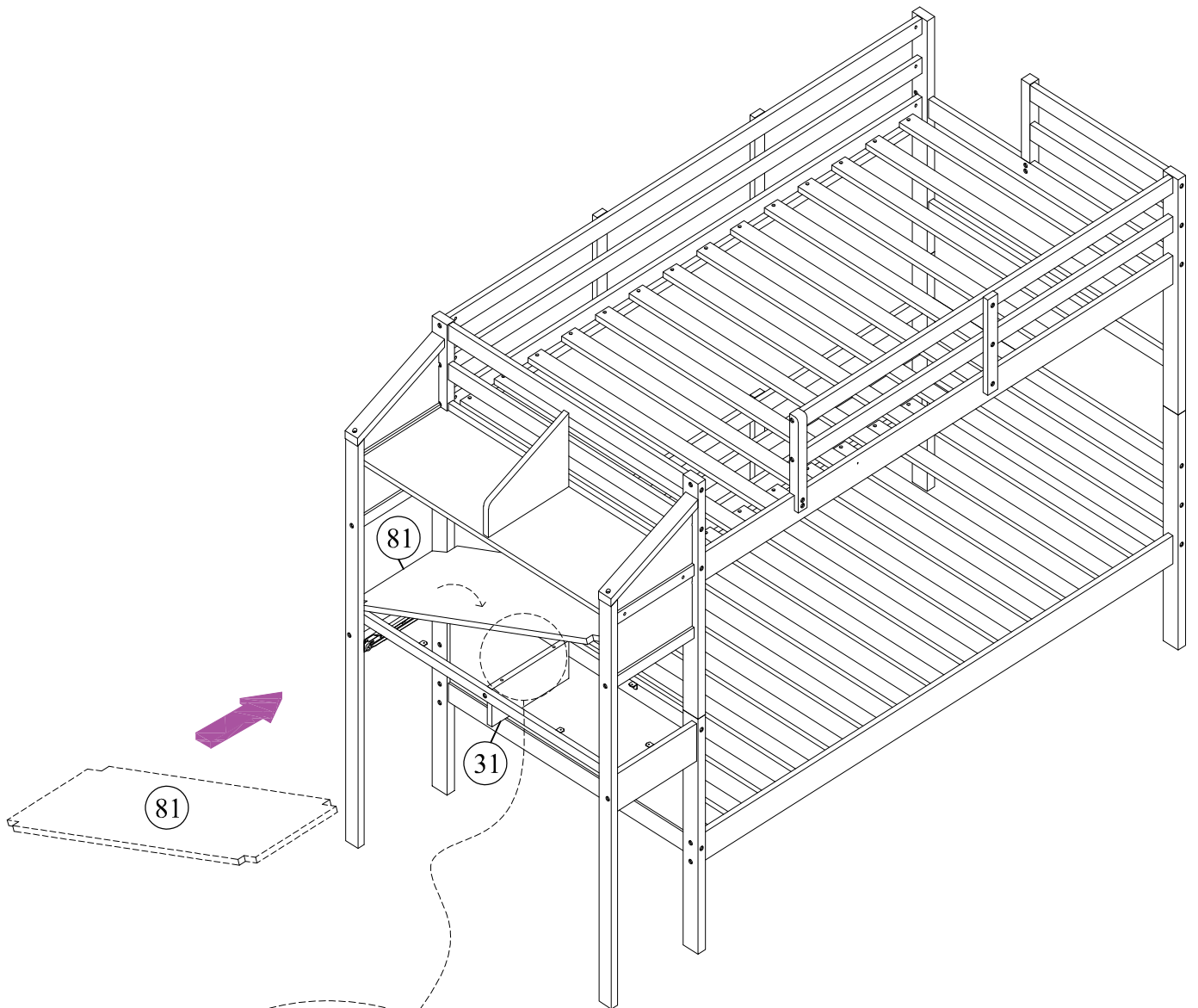
STEP 22:

N		06
U		06




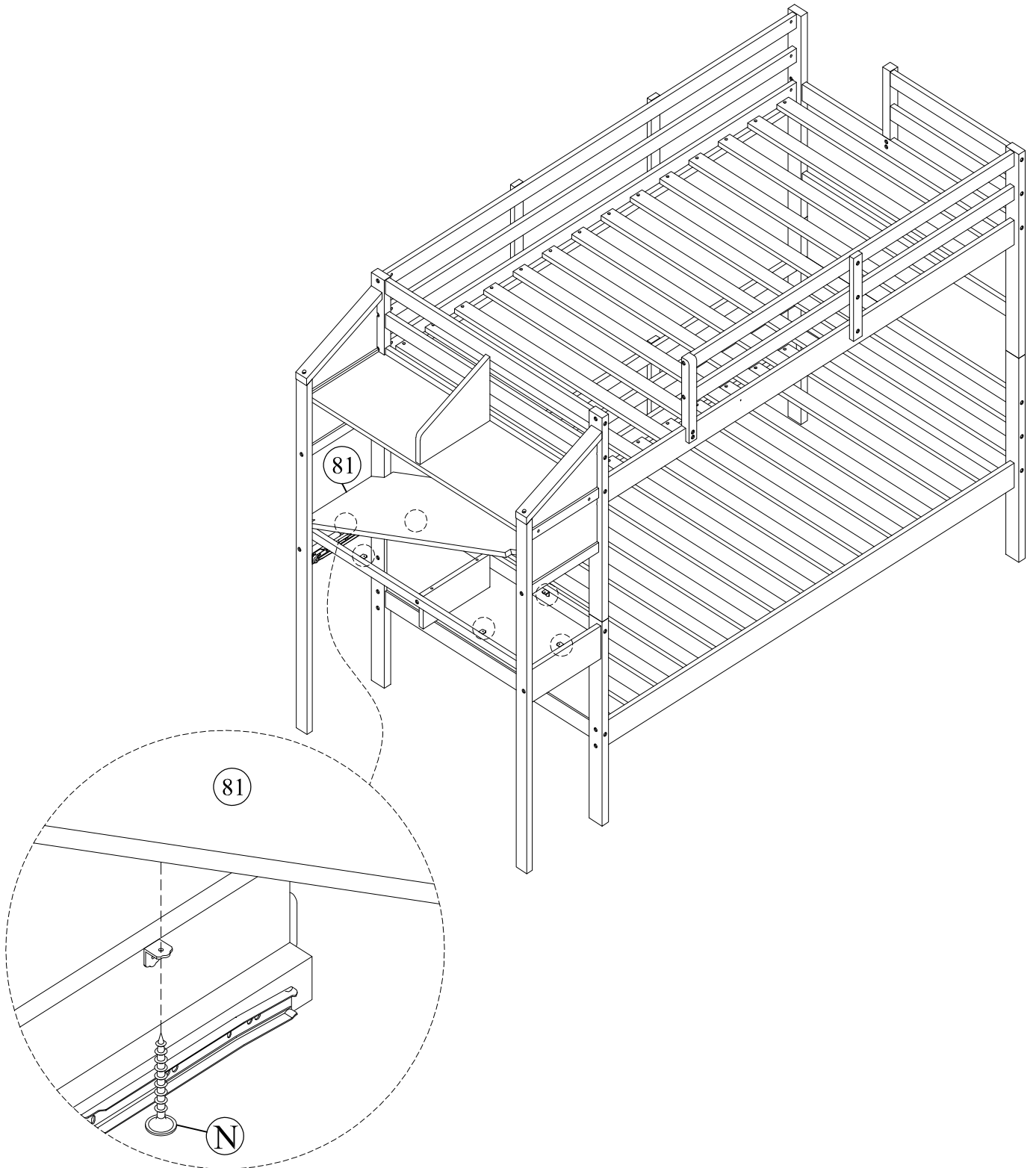
STEP 23:

A		02
---	---	----

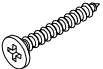



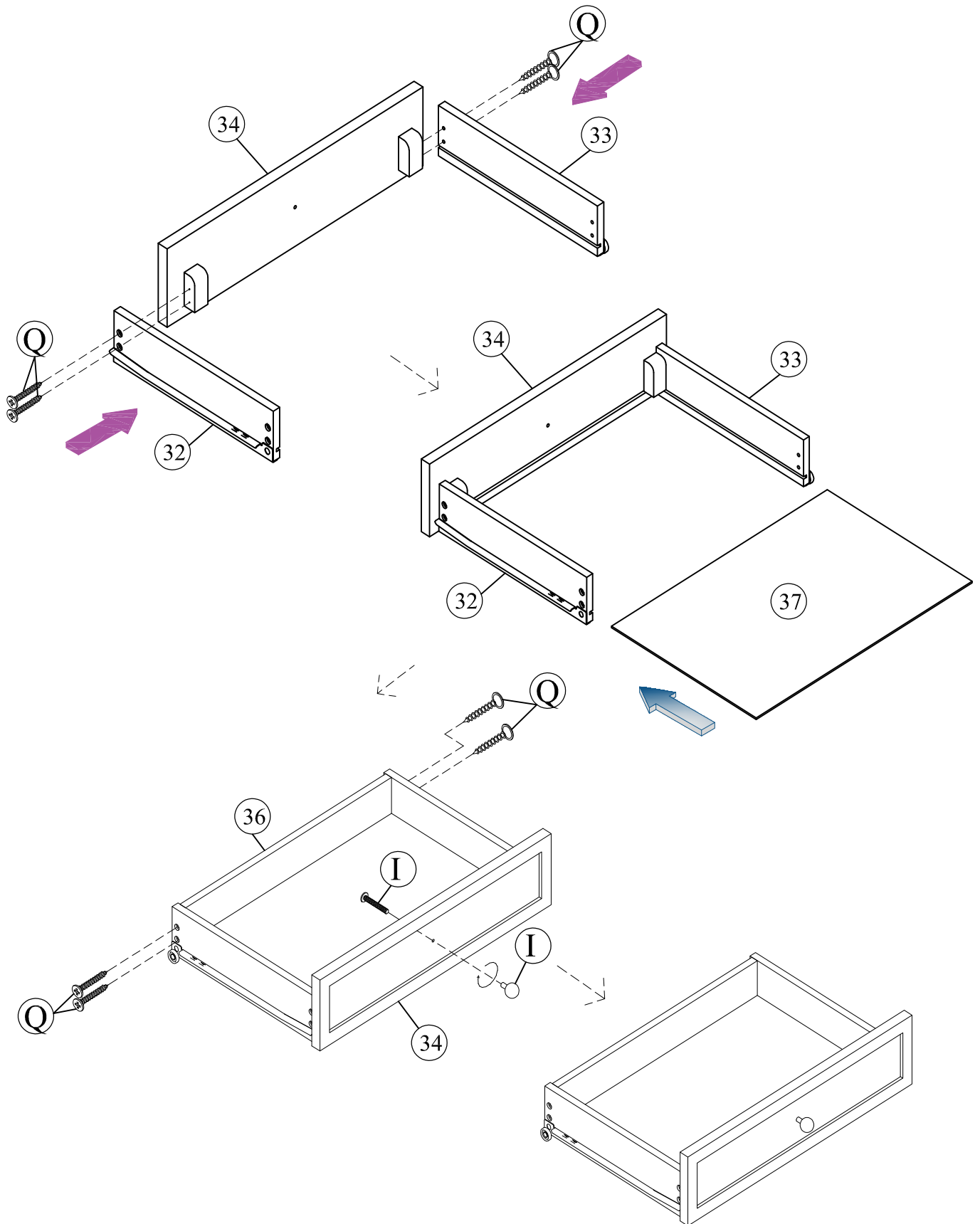
STEP 24:

N		06
---	---	----



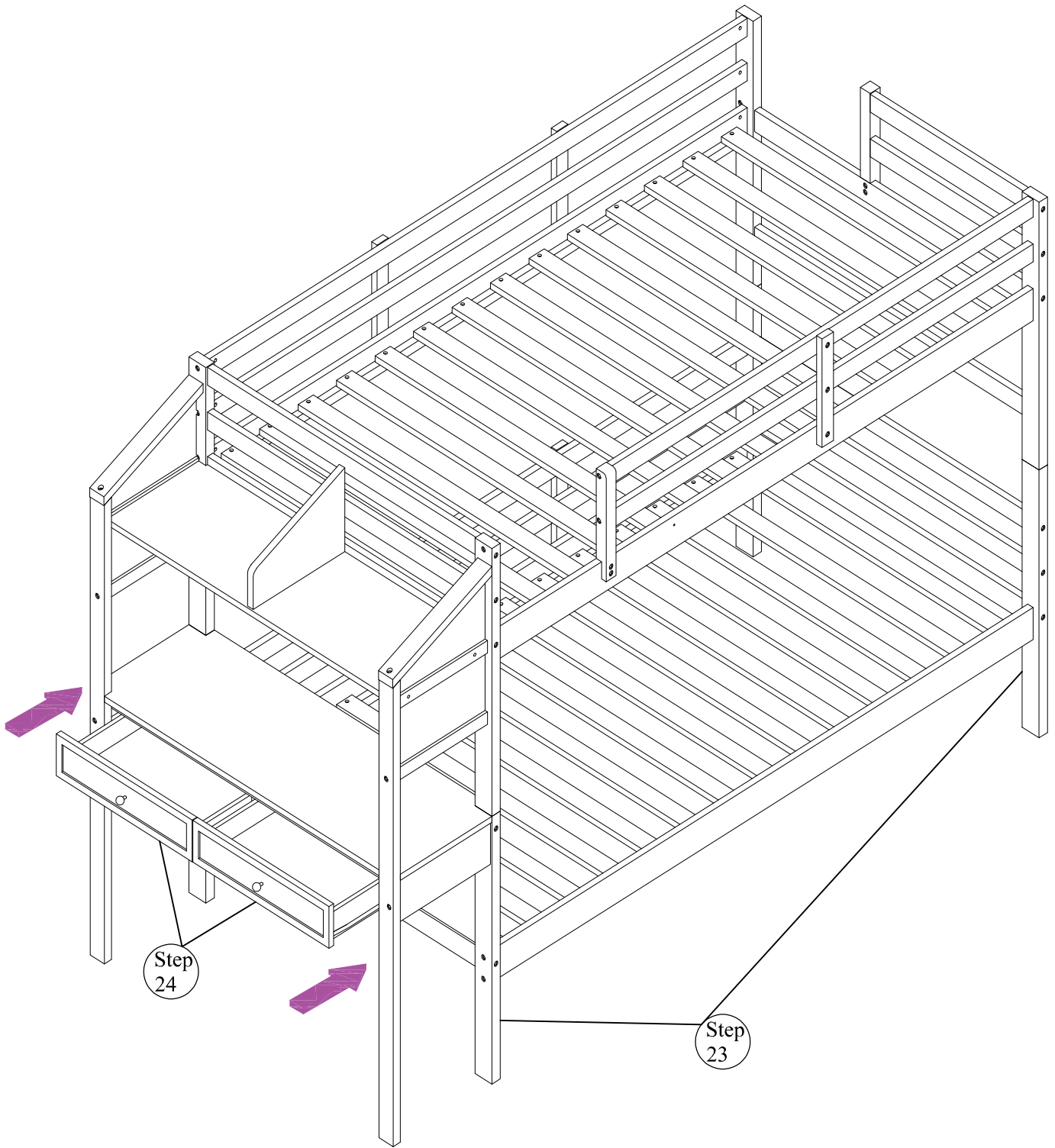
STEP 25:

Q		16
I		02






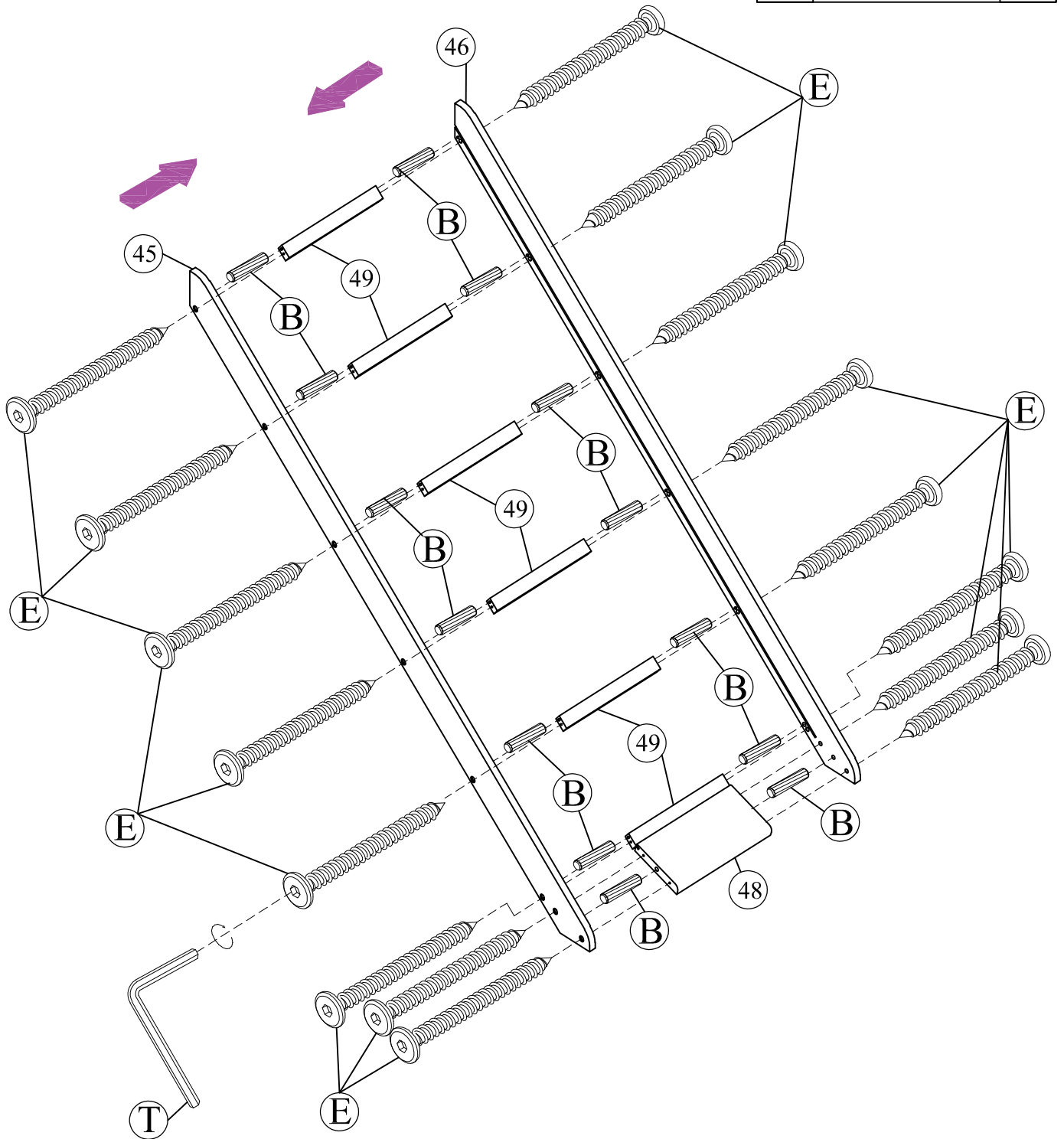
X2

STEP 26:

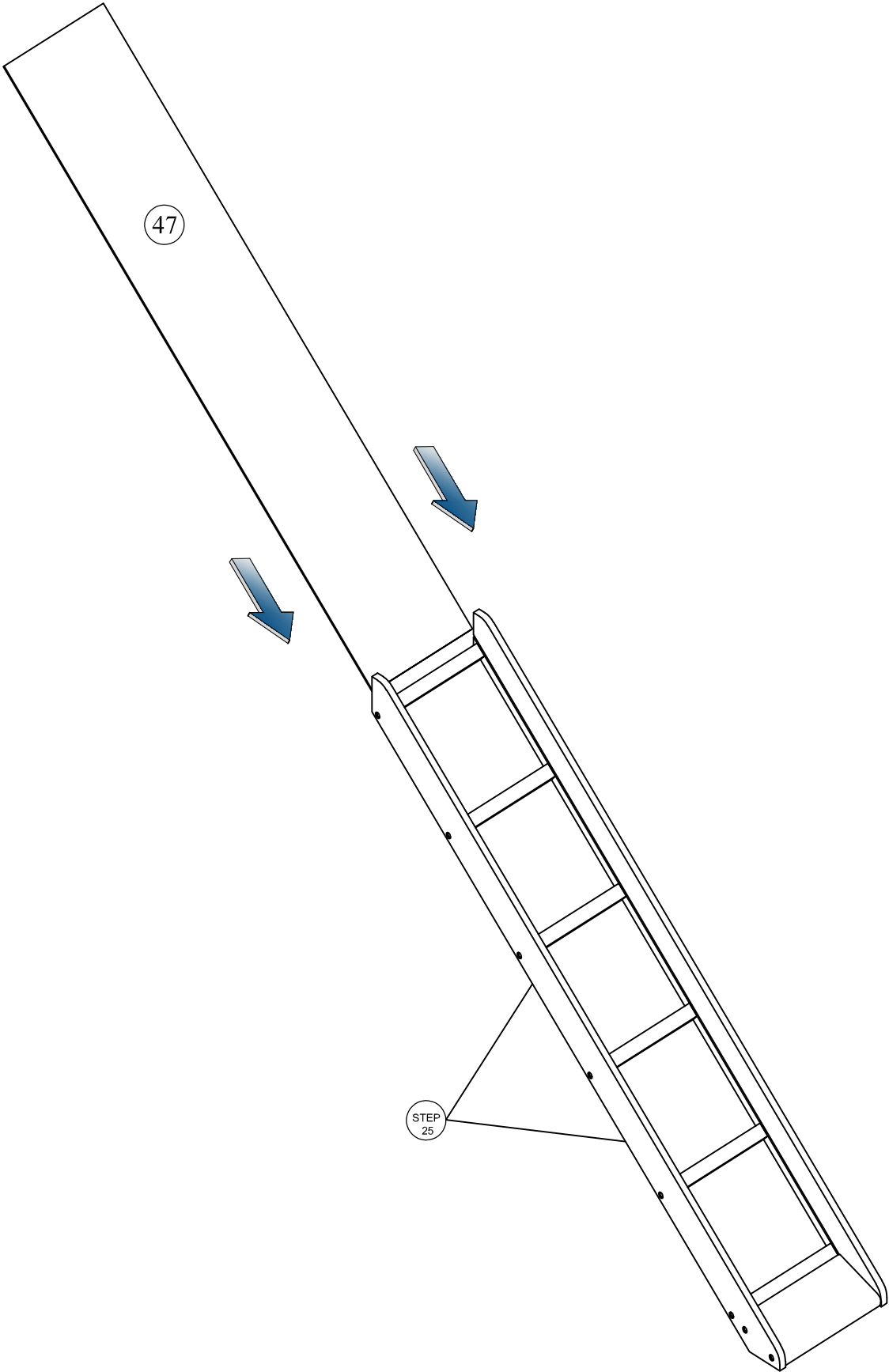


STEP 27:

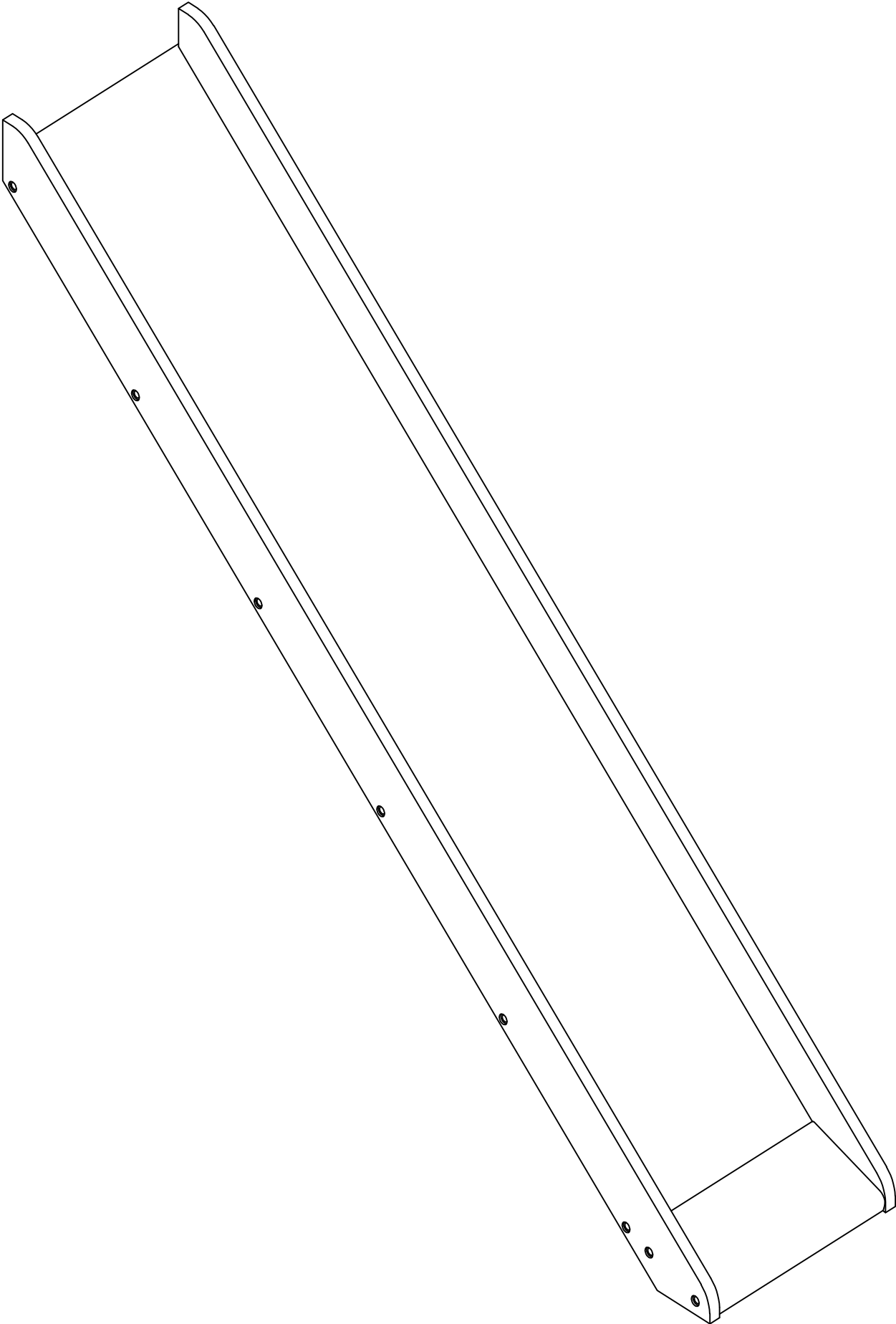
E		16
B		14
T		01






STEP 28:

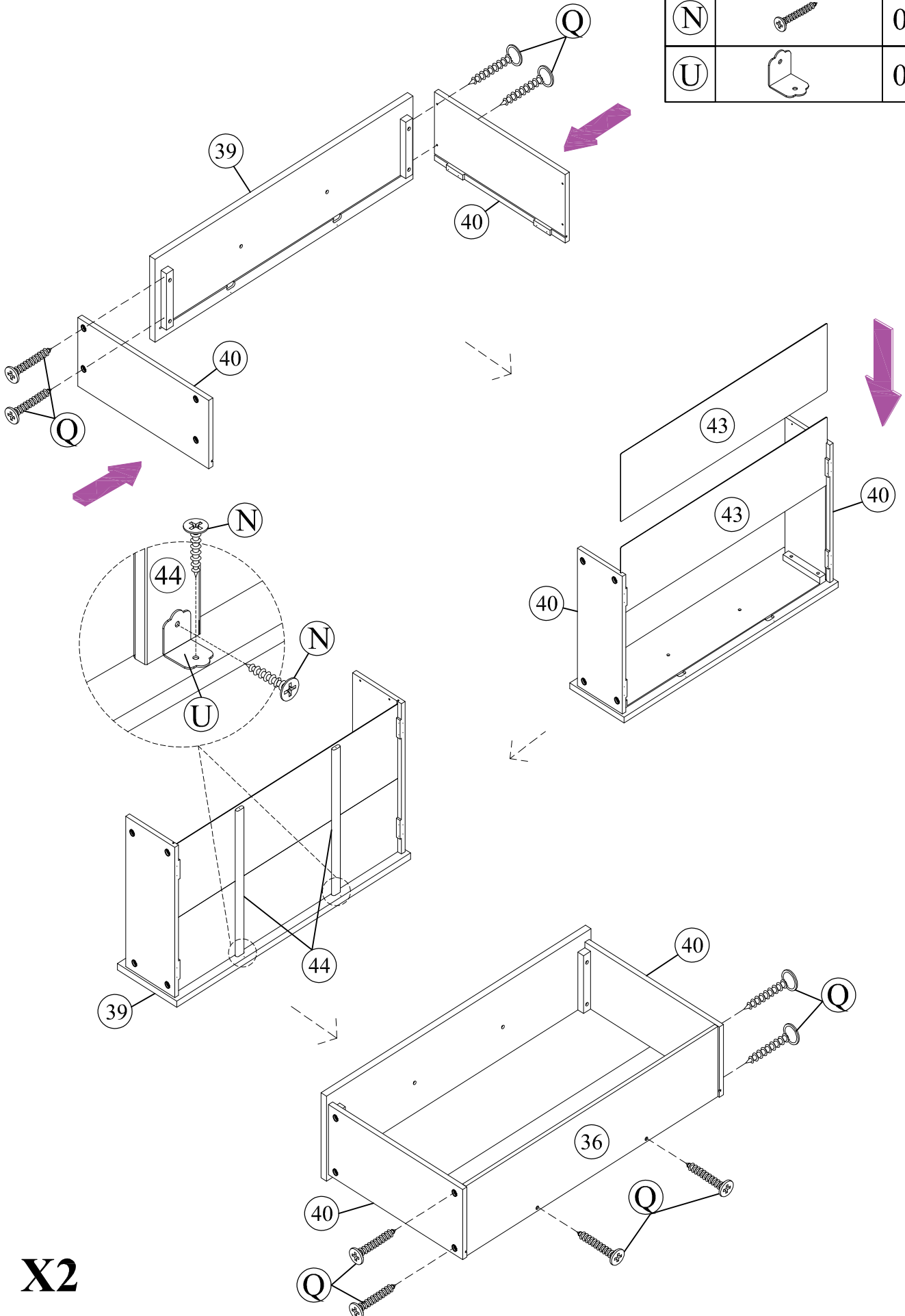


STEP 29:






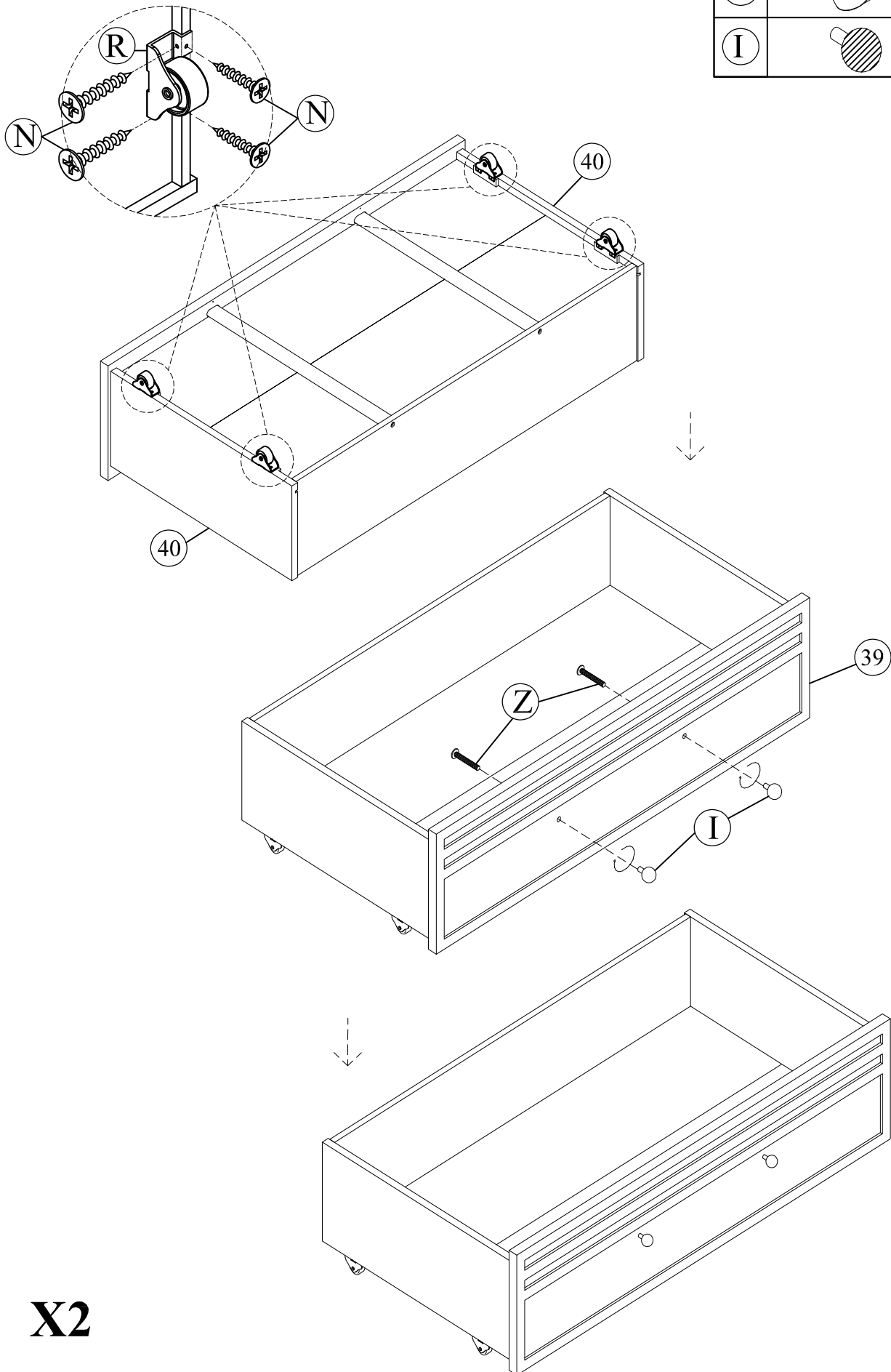
STEP 30:

Q		20
N		08
U		04



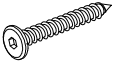
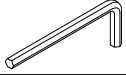
STEP 31:

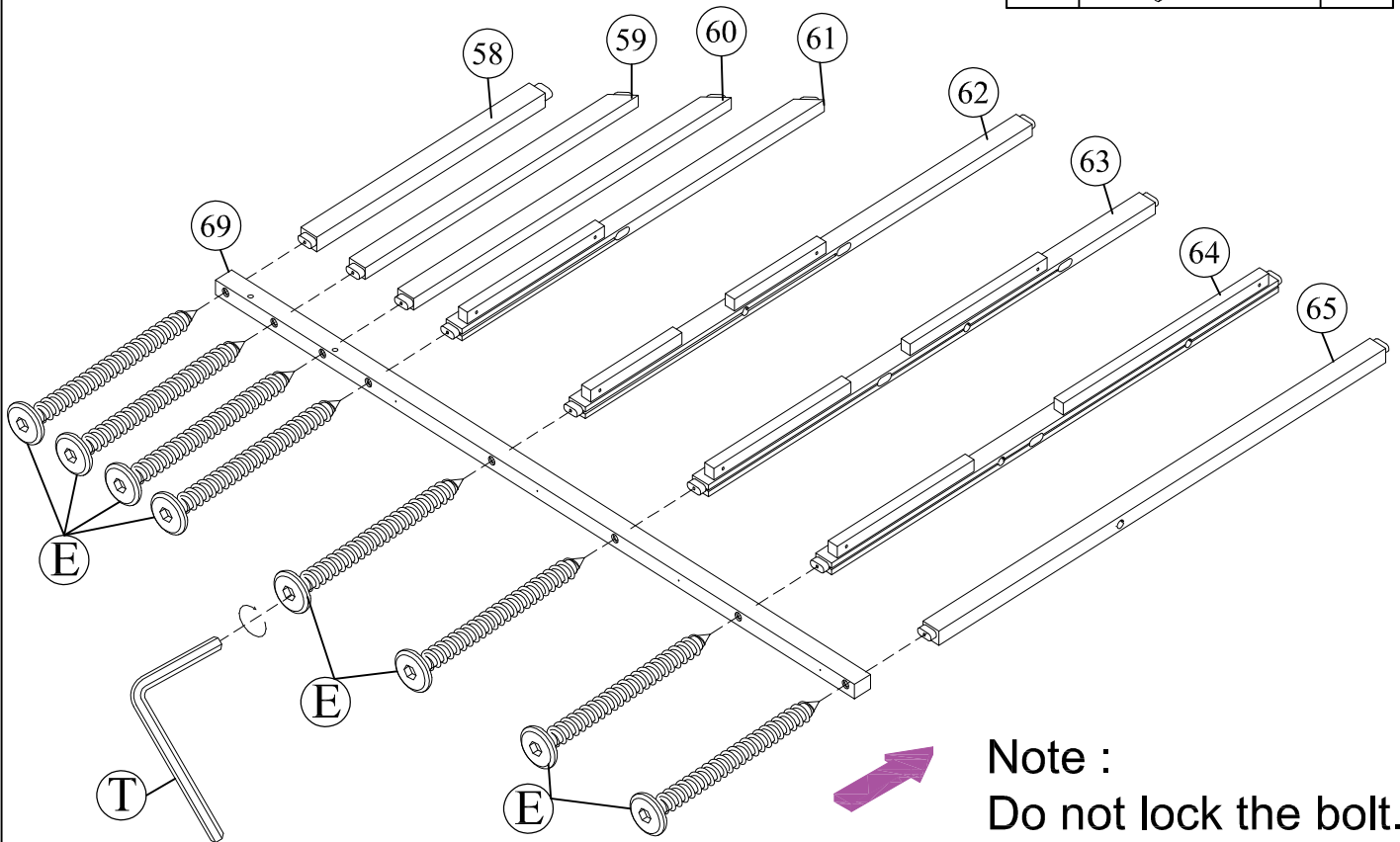
(N)		32
(R)		08
(I)		04



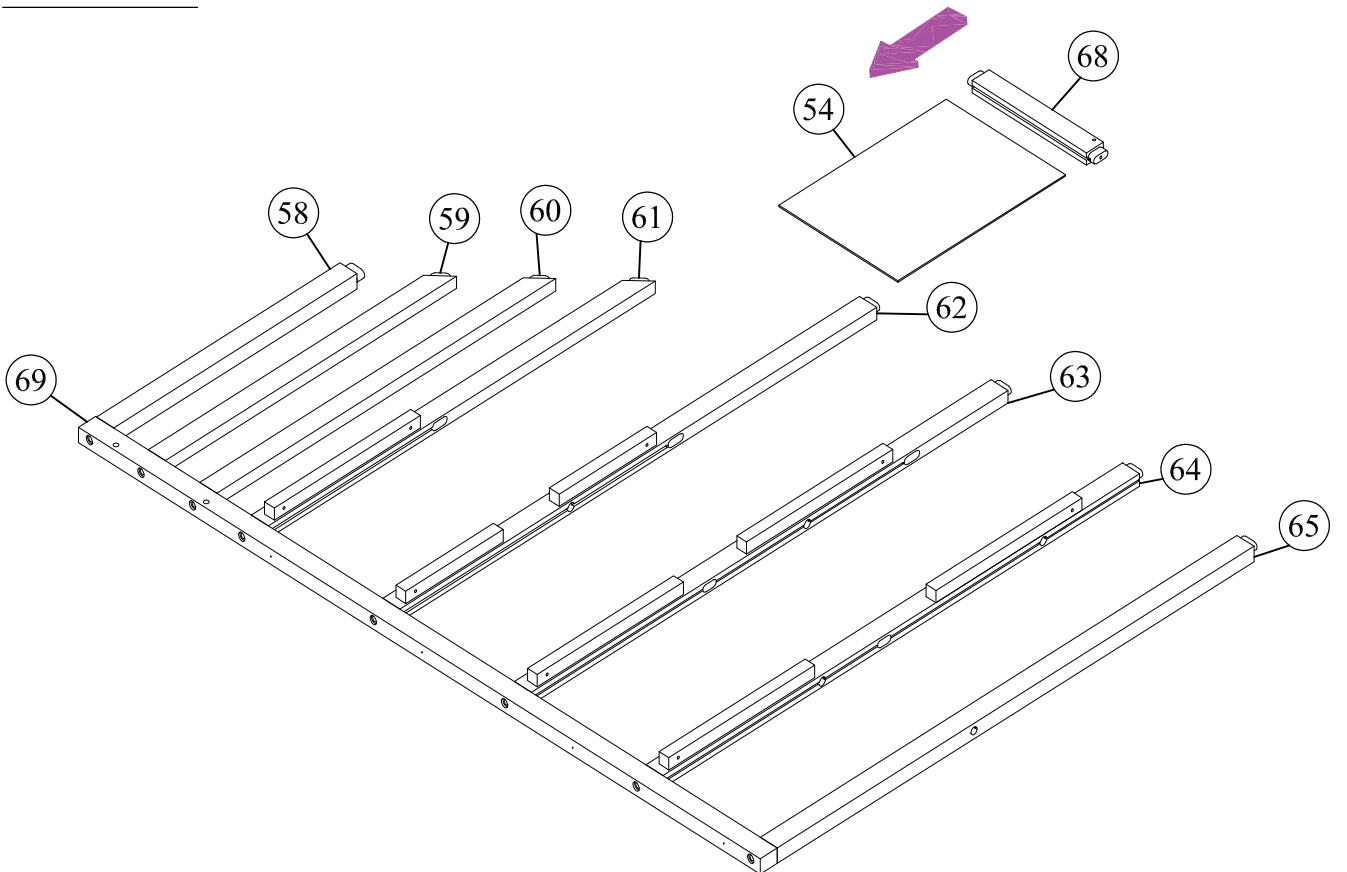
X2

STEP 32:

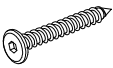
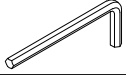
(E)		08
(T)		01

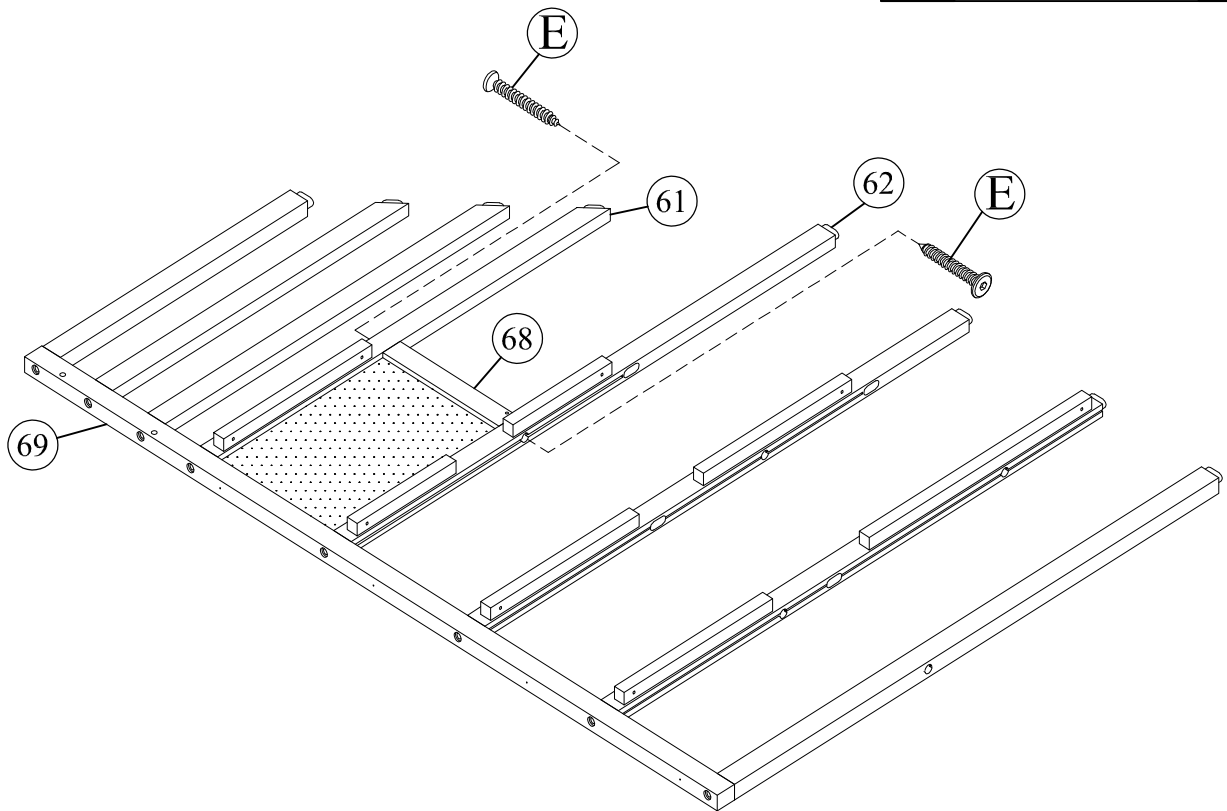


STEP 33:

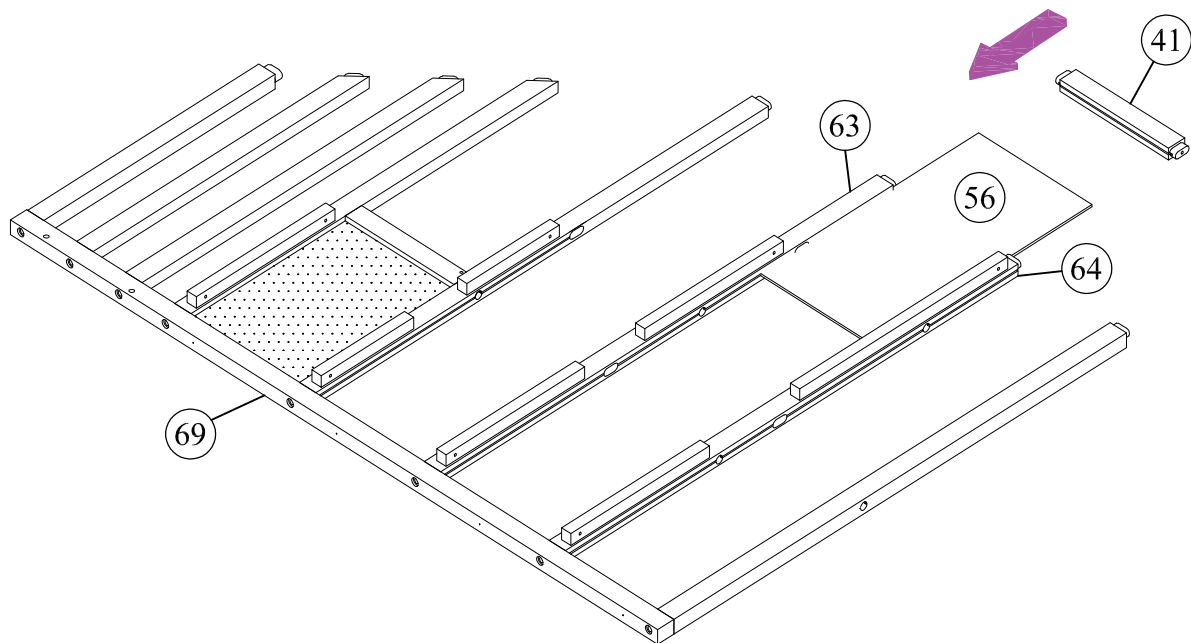


STEP 34:

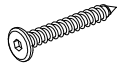
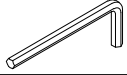
(E)		02
(T)		01

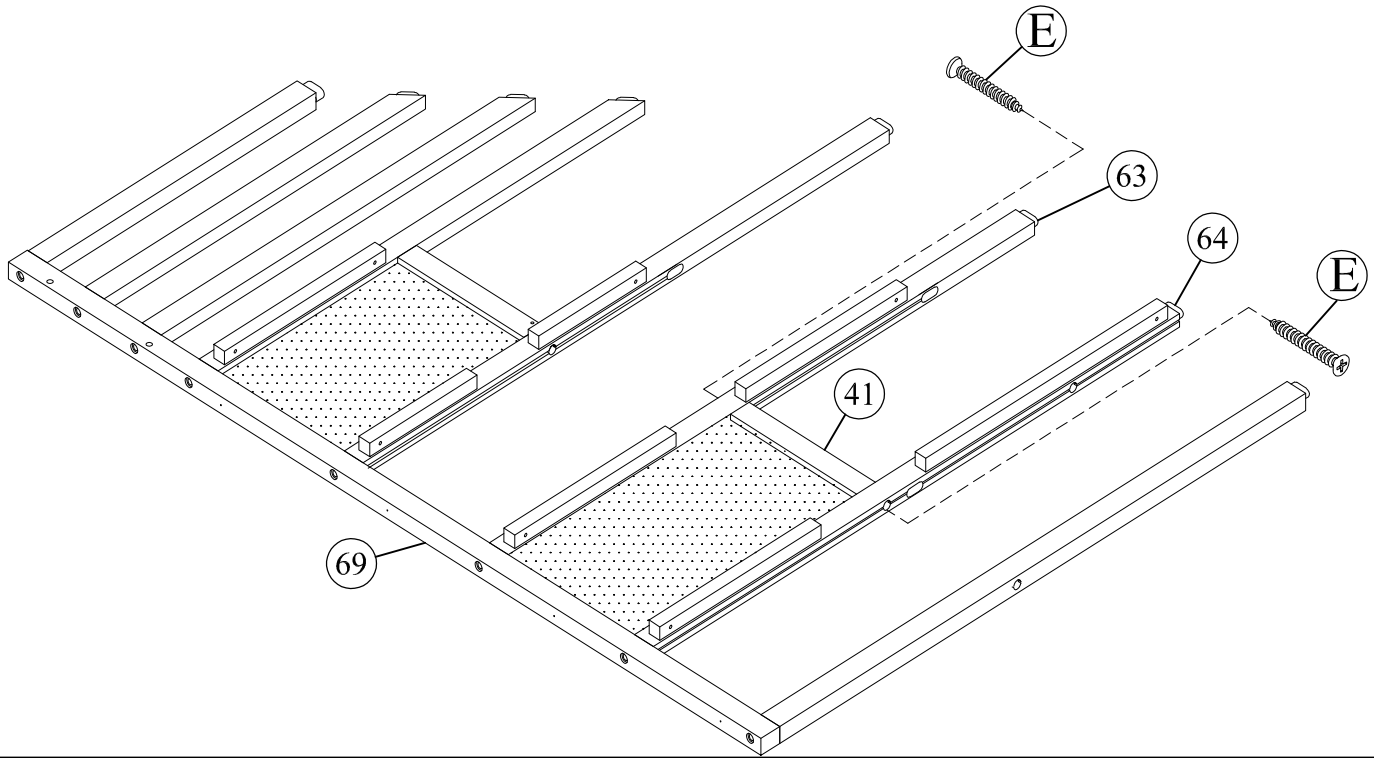


STEP 35:

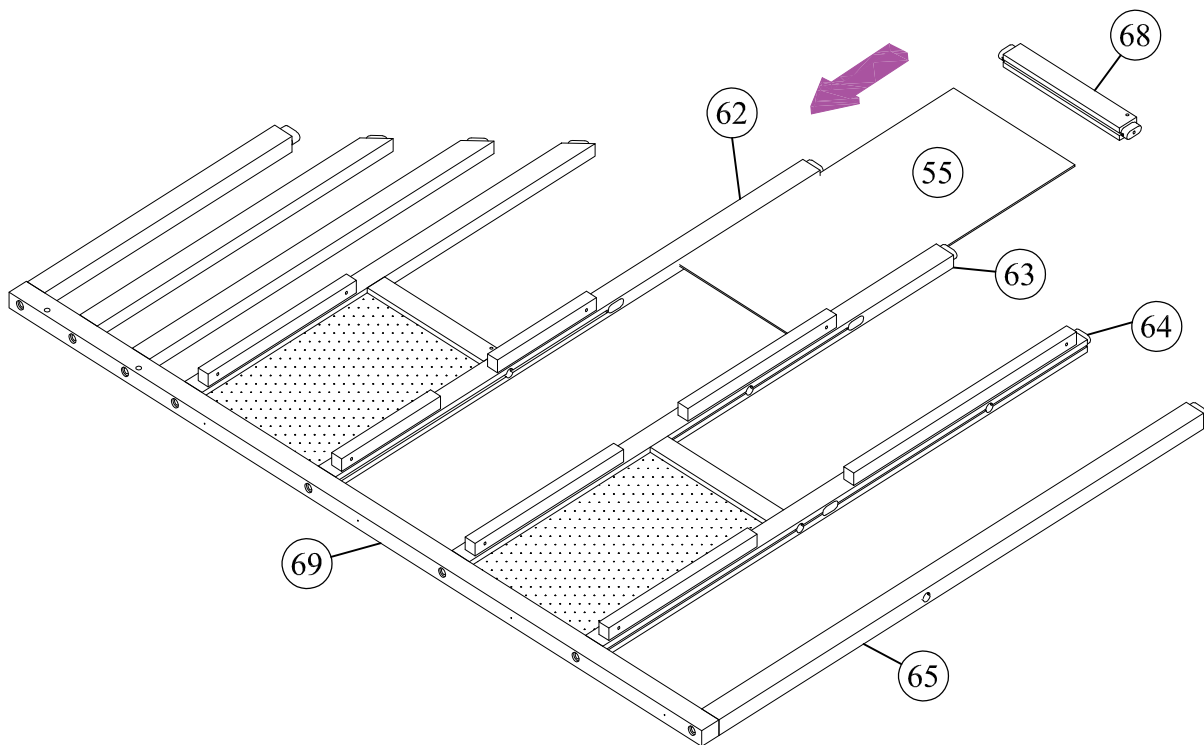


STEP 36:

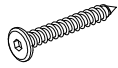

(E)		02
(T)		01

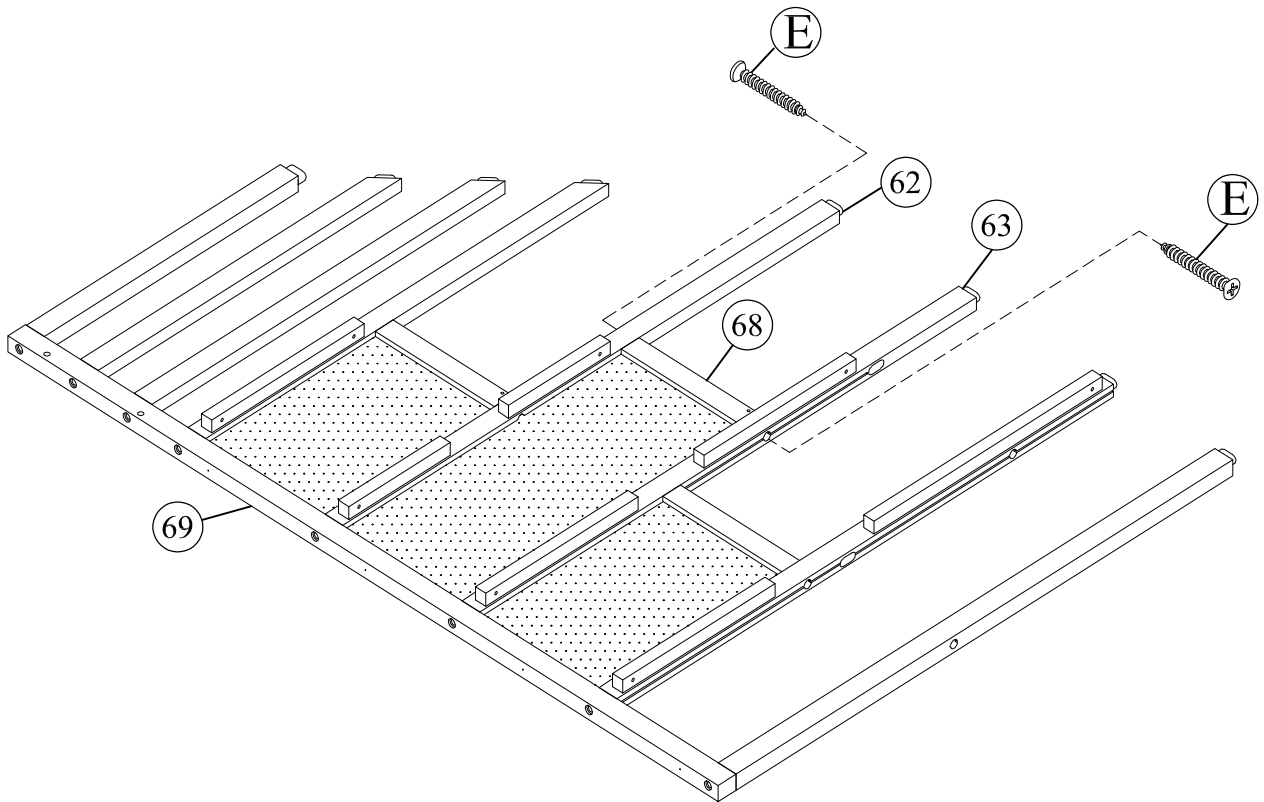


STEP 37:

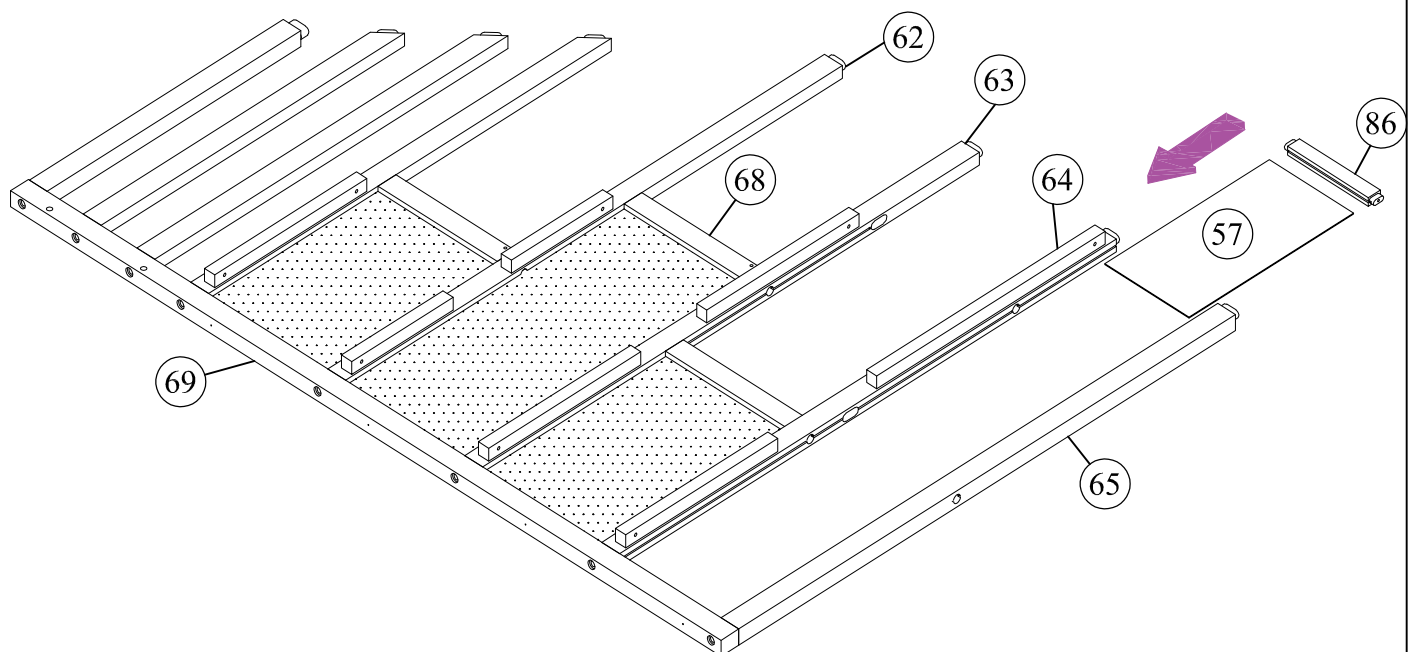


STEP 38:

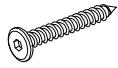

(E)		02
(T)		01

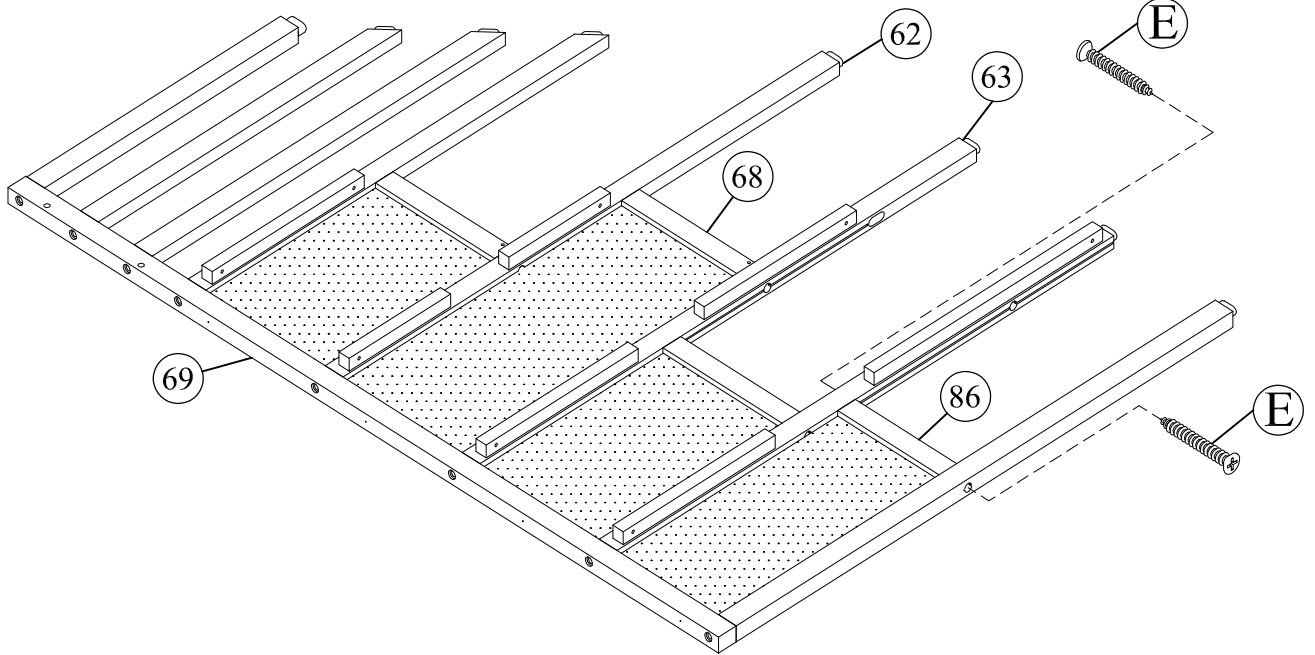


STEP 39:

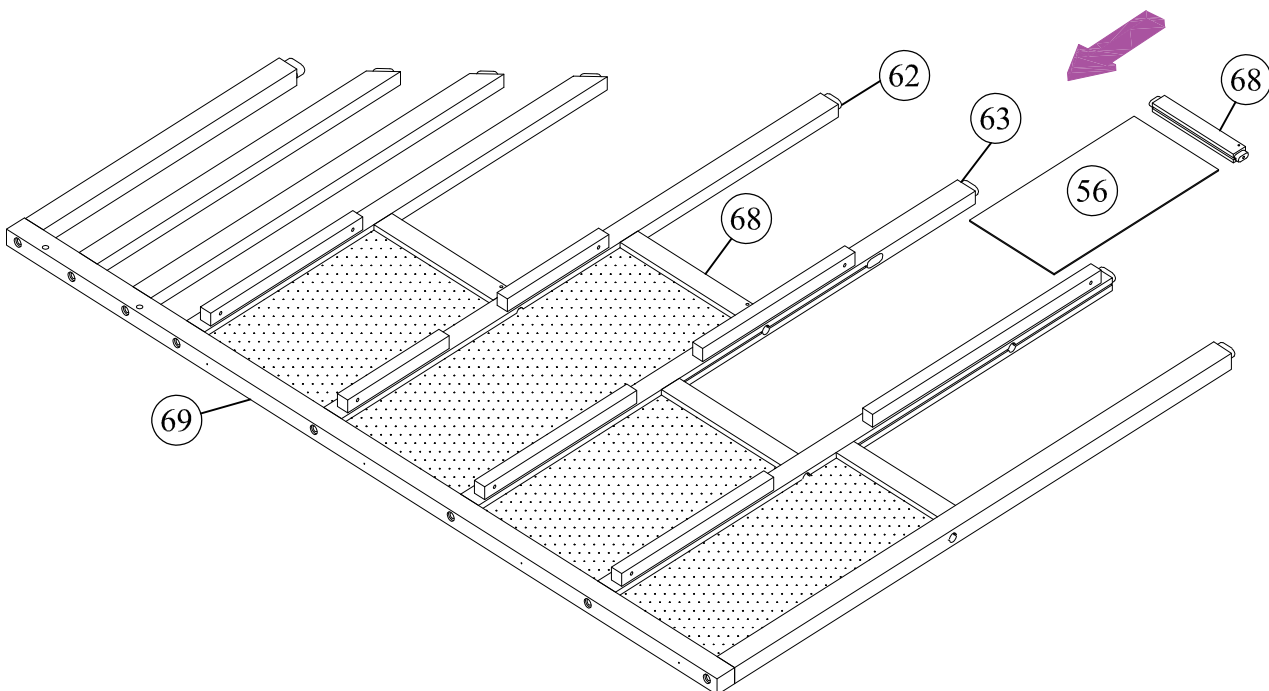


STEP 40:

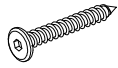
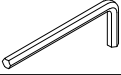
(E)		02
(T)		01

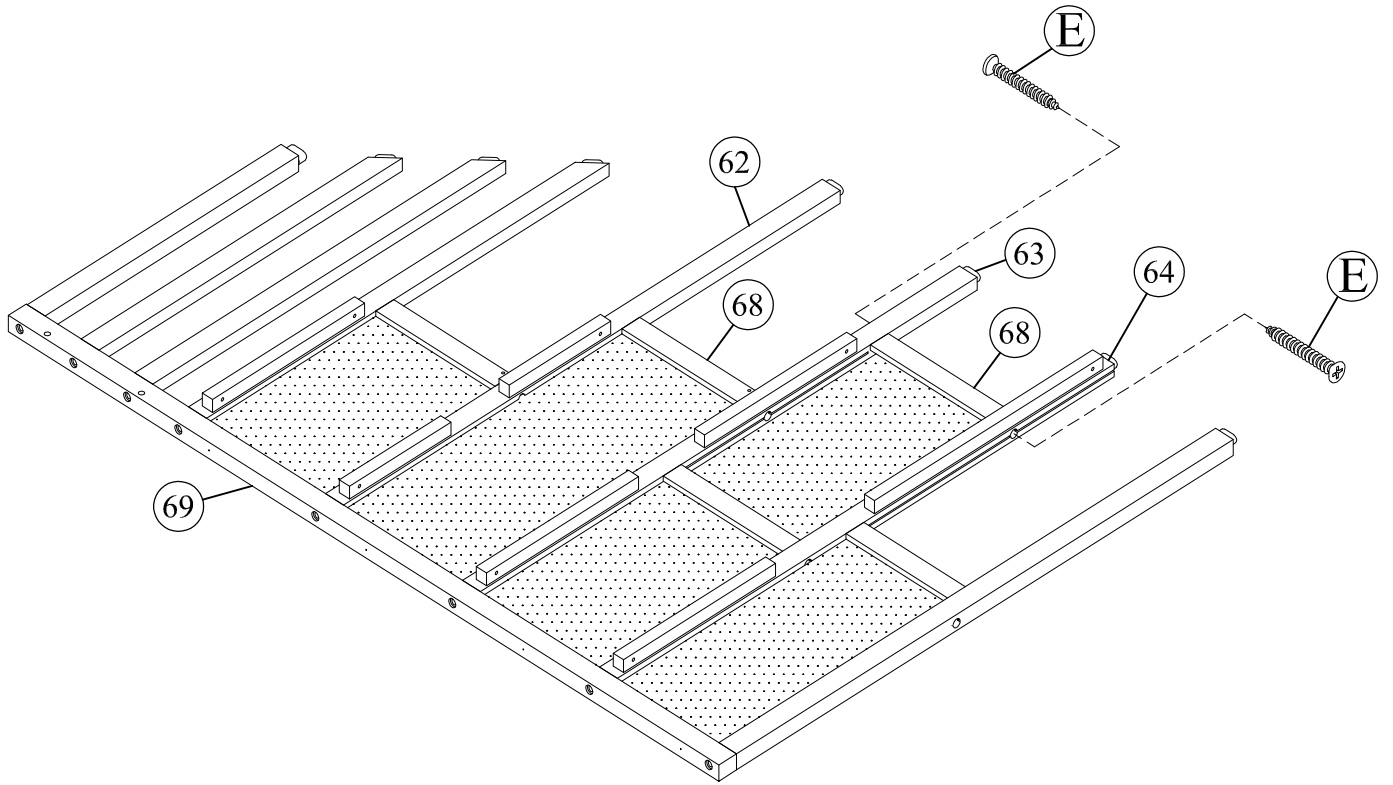


STEP 41:

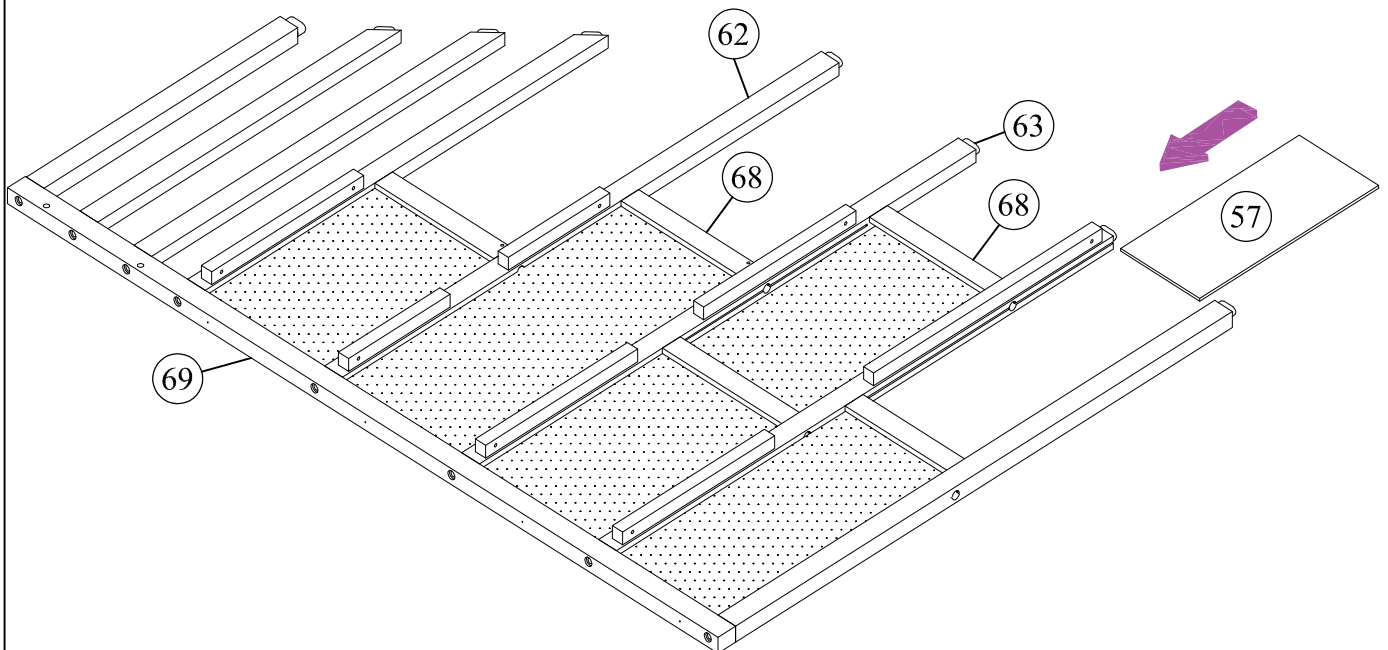


STEP 42:



(E)		02
(T)		01

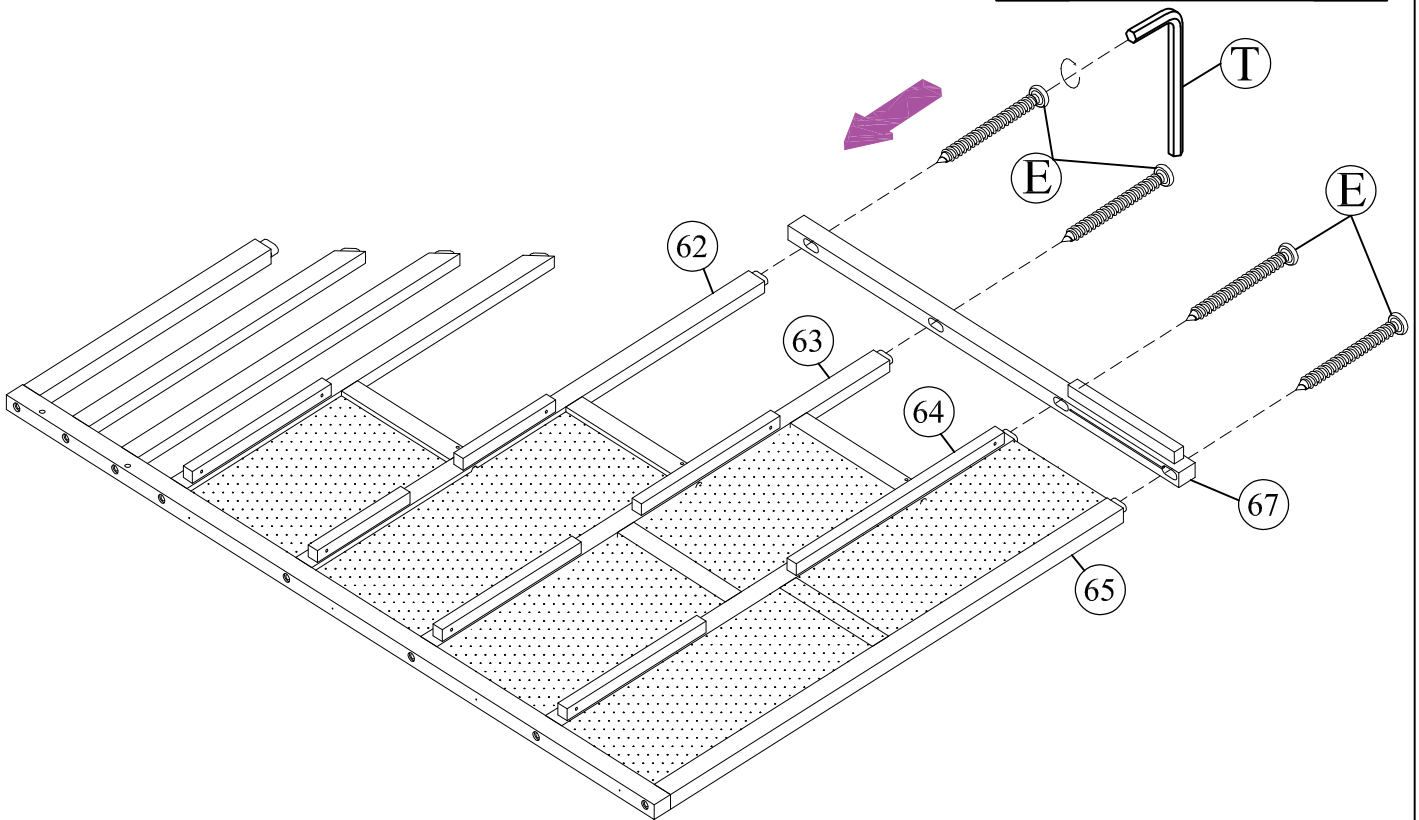


STEP 43:

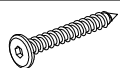



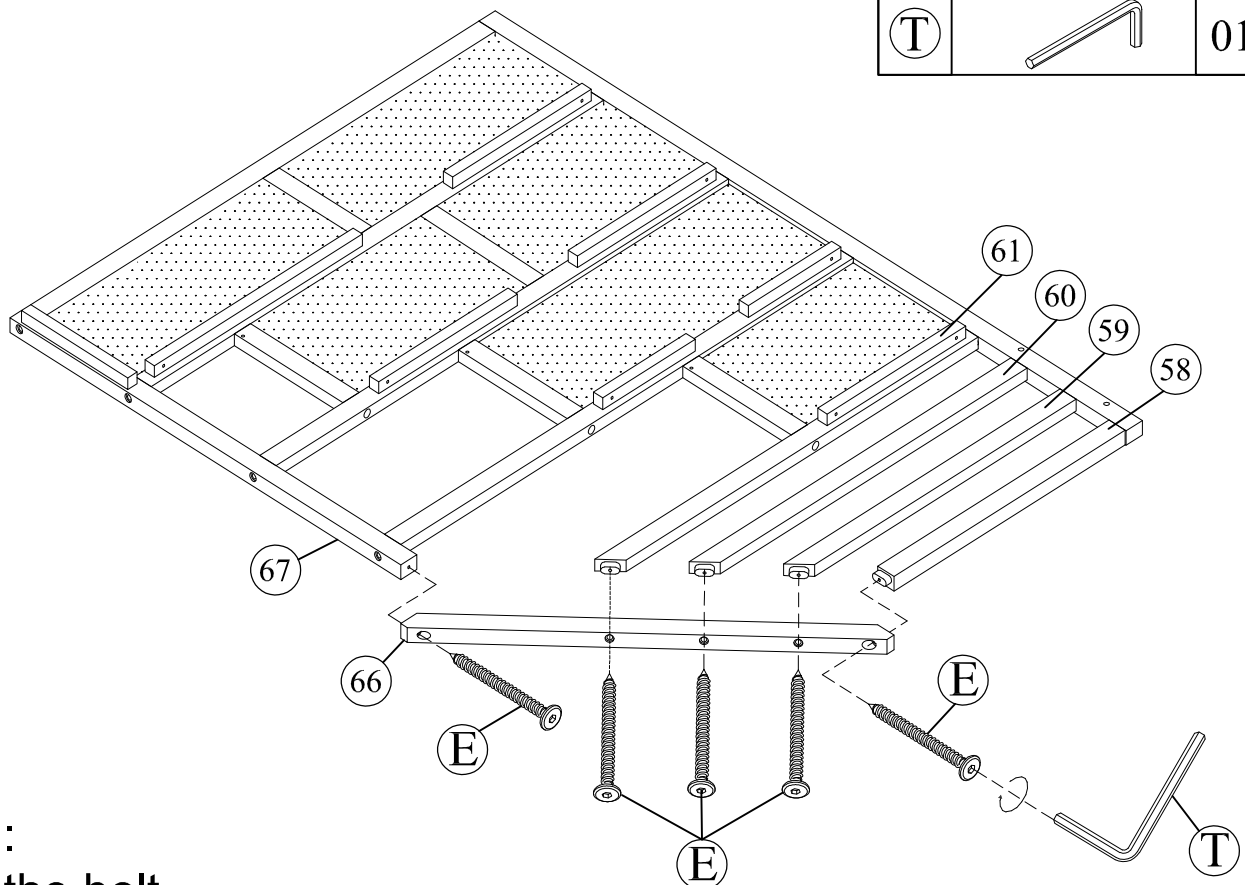
STEP 44:

(E)		04
(T)		01





STEP 45:

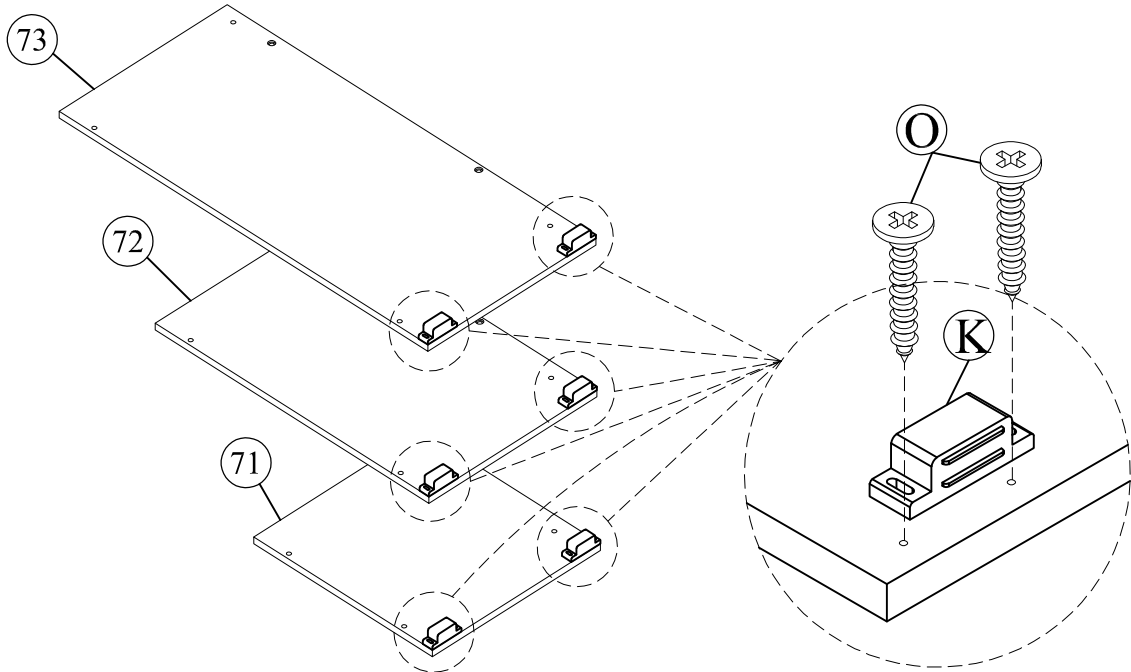
(E)		05
(T)		01





Note :
Lock the bolt.

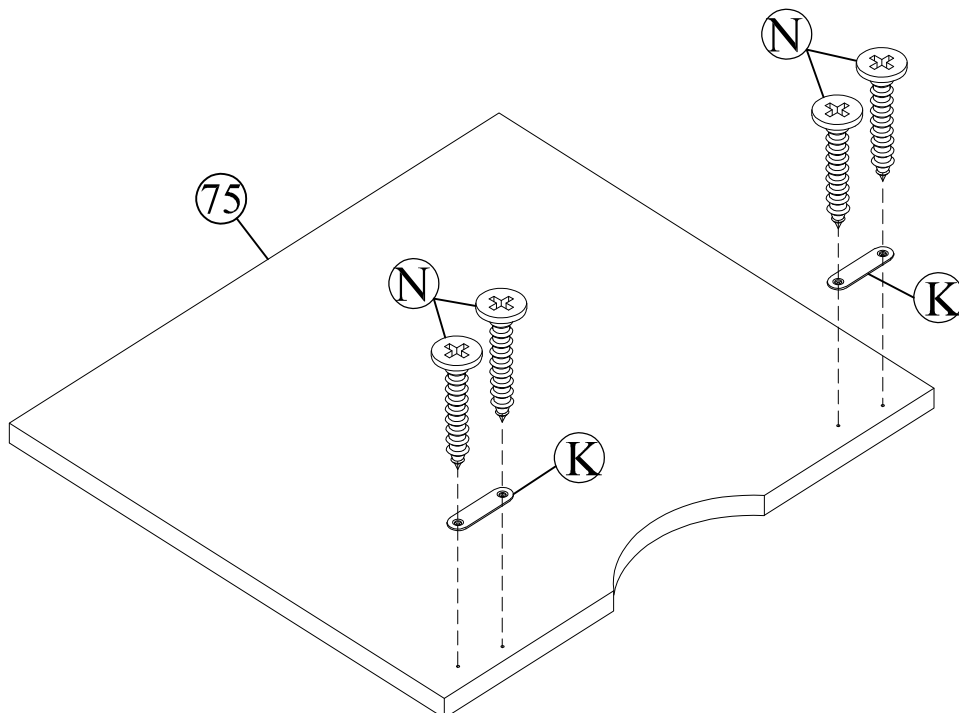
STEP 46:

O		12
K		06



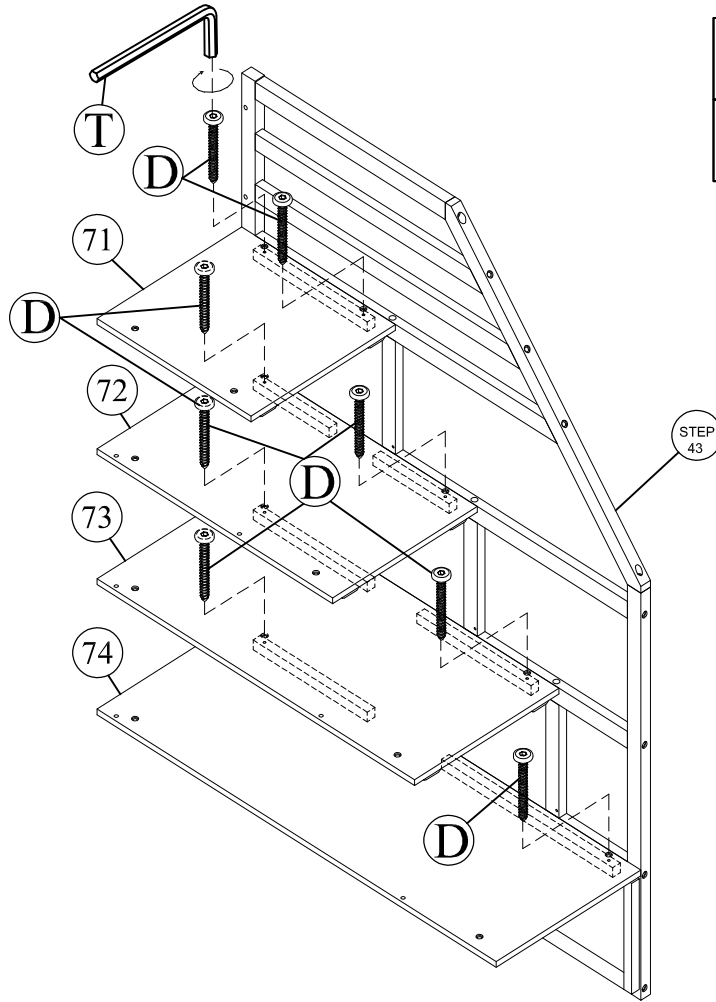
STEP 47:

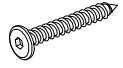
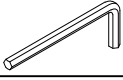
N		12
K		06



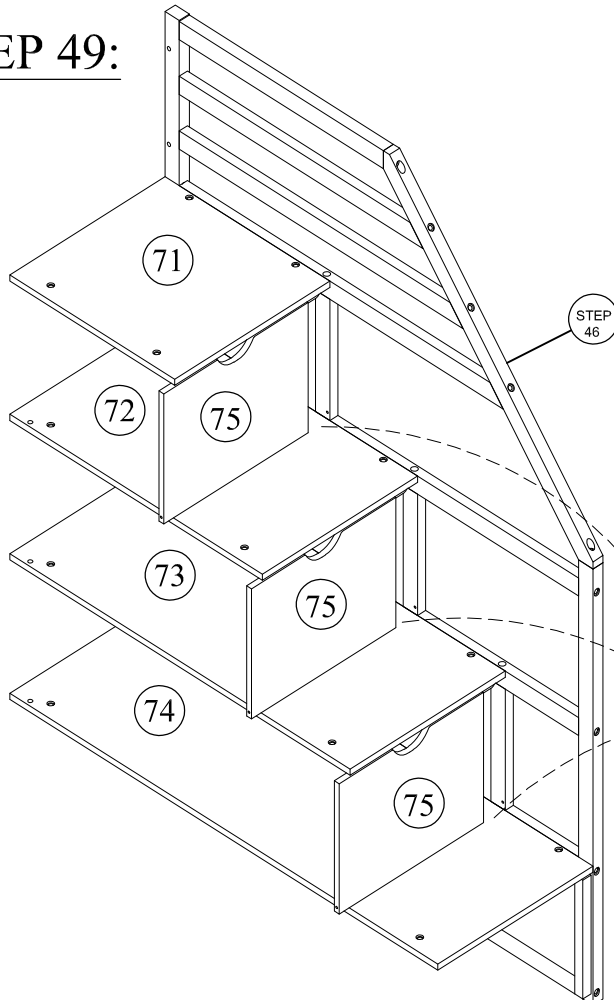
X3

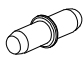
STEP 48:

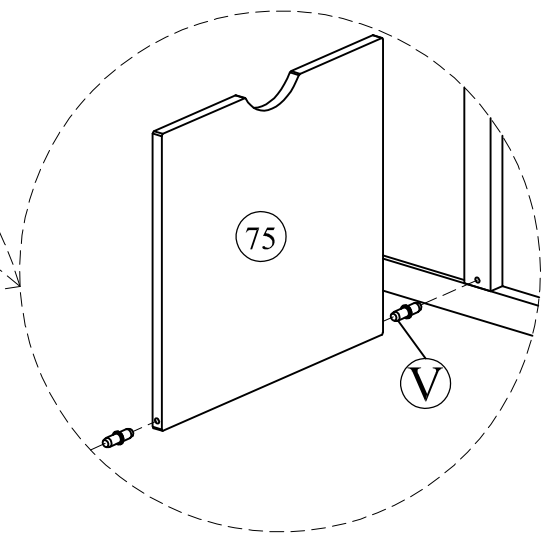


(D)		08
(T)		01



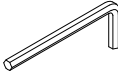
STEP 49:

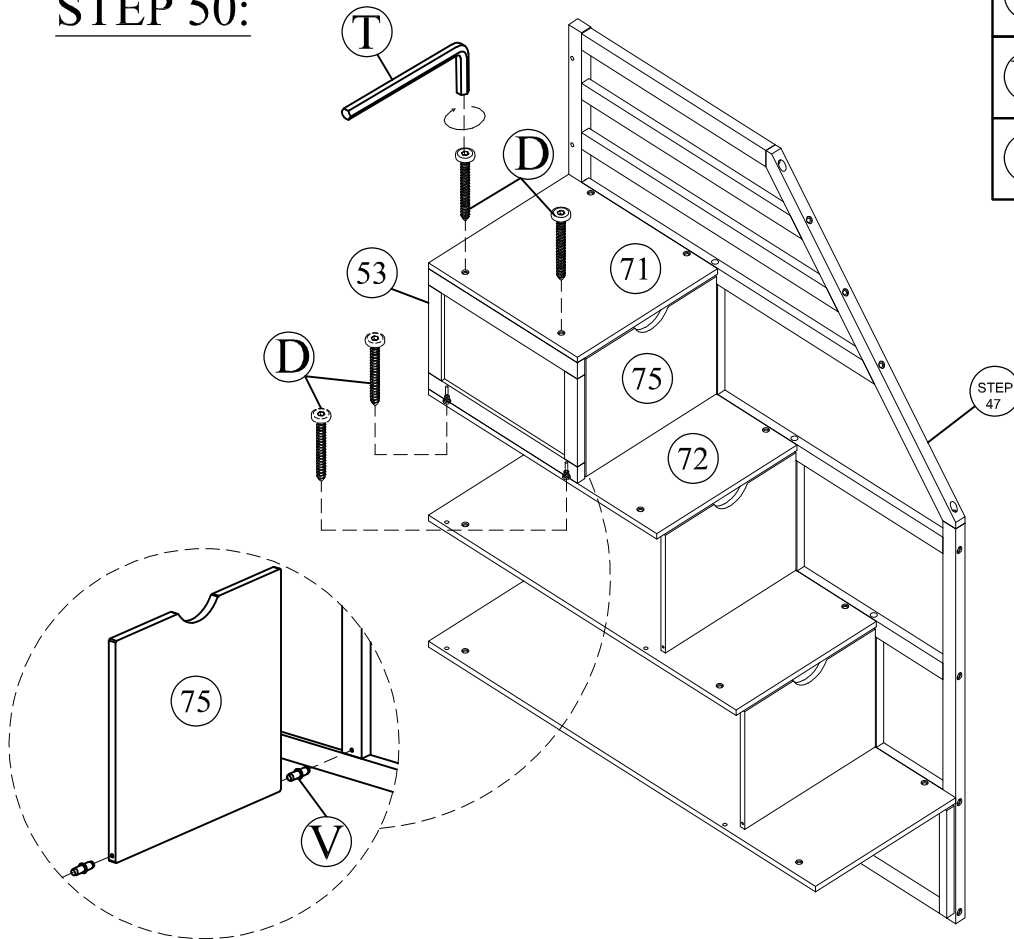


(V)		03
-----	---	----

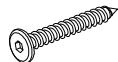
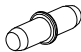
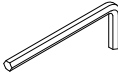


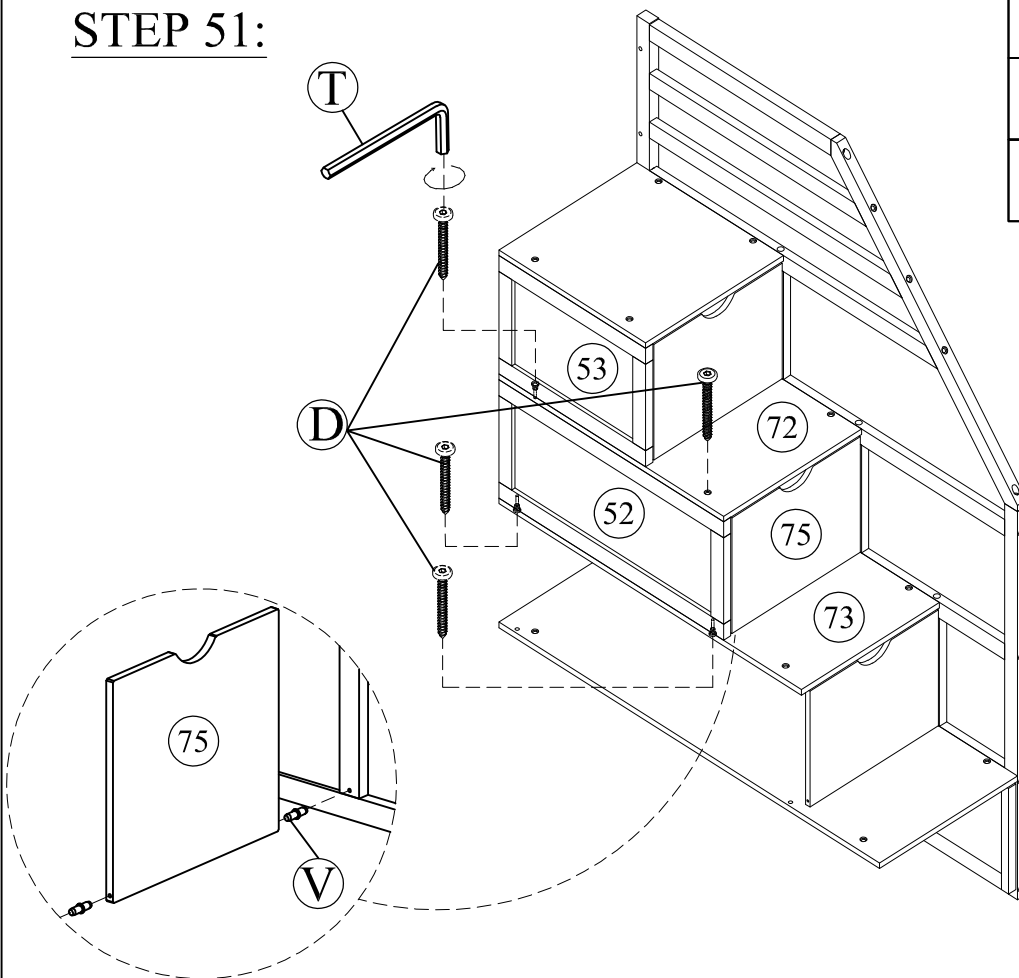
STEP 50:

(D)		04
(V)		01
(T)		01



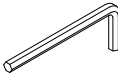


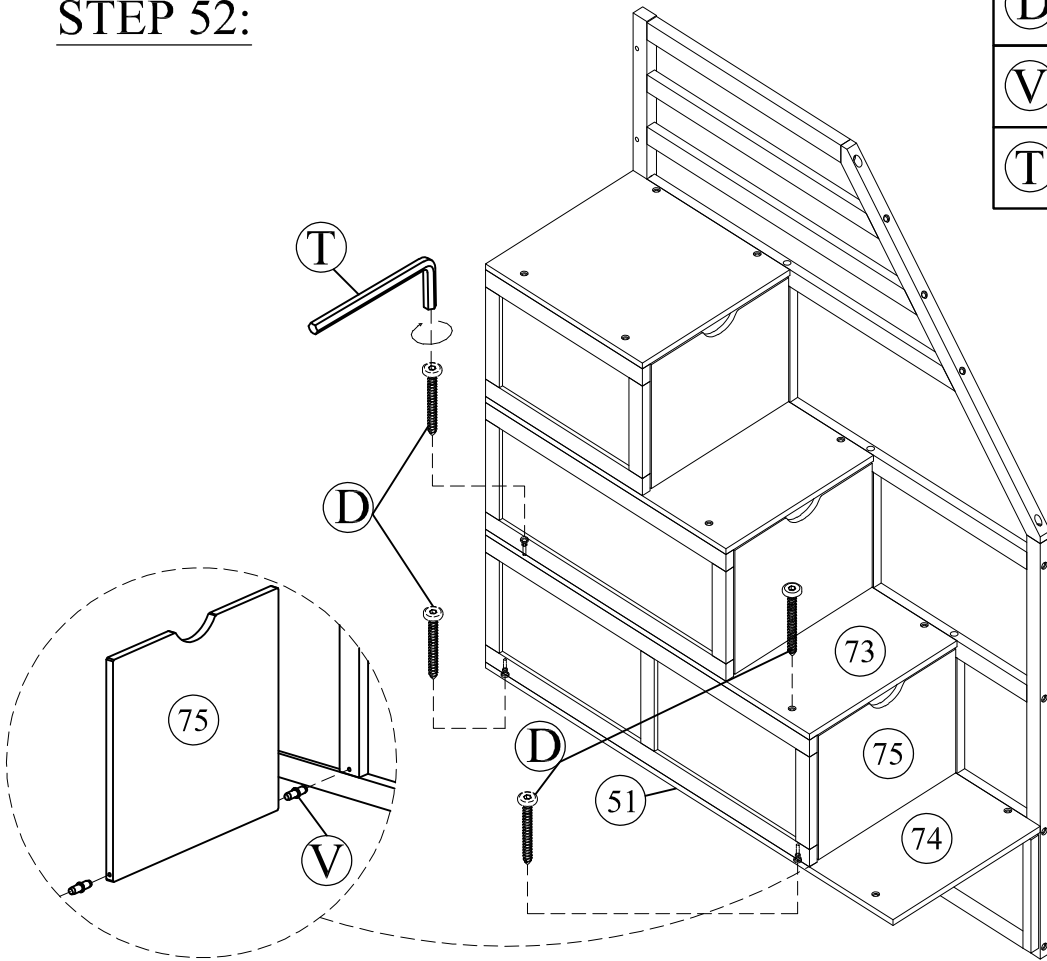
STEP 51:

(D)		04
(V)		01
(T)		01

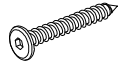

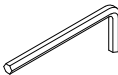


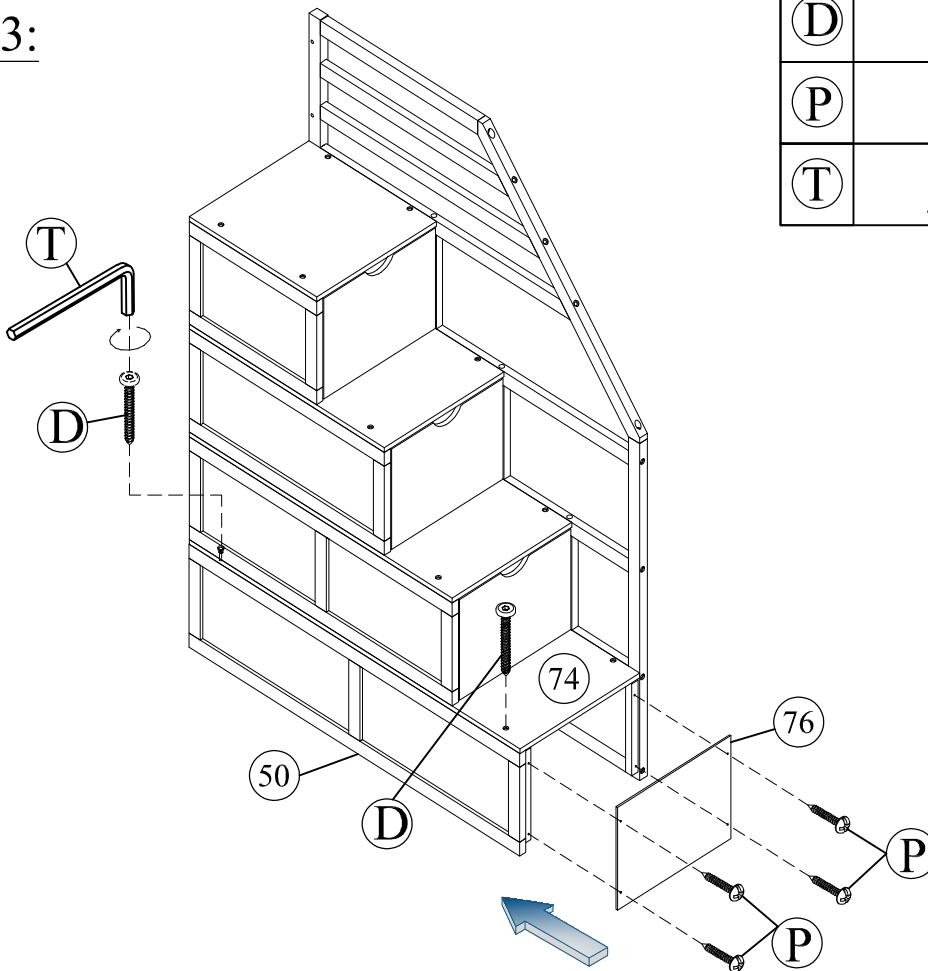
STEP 52:

(D)		04
(V)		01
(T)		01



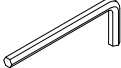


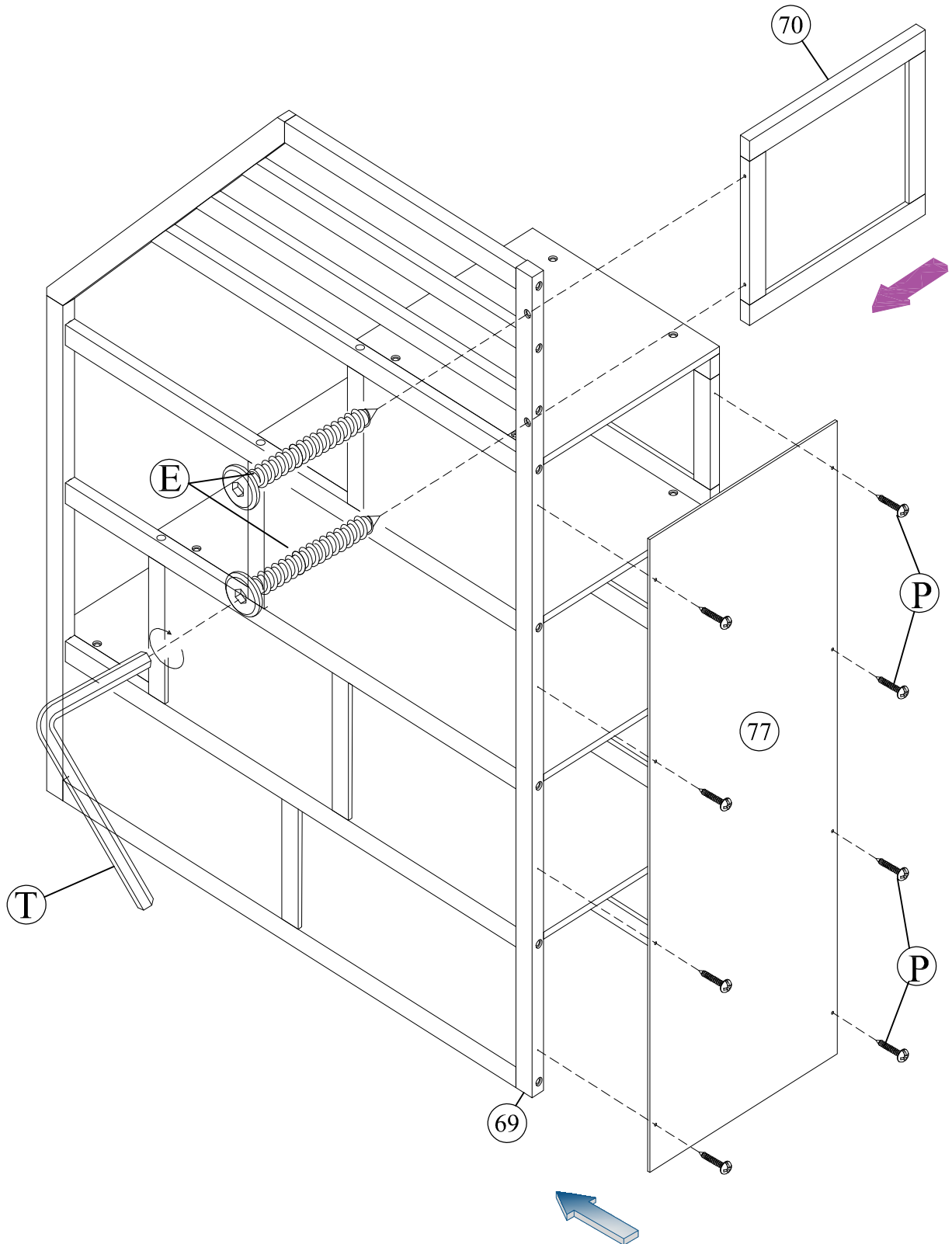
STEP 53:

(D)		02
(P)		04
(T)		01





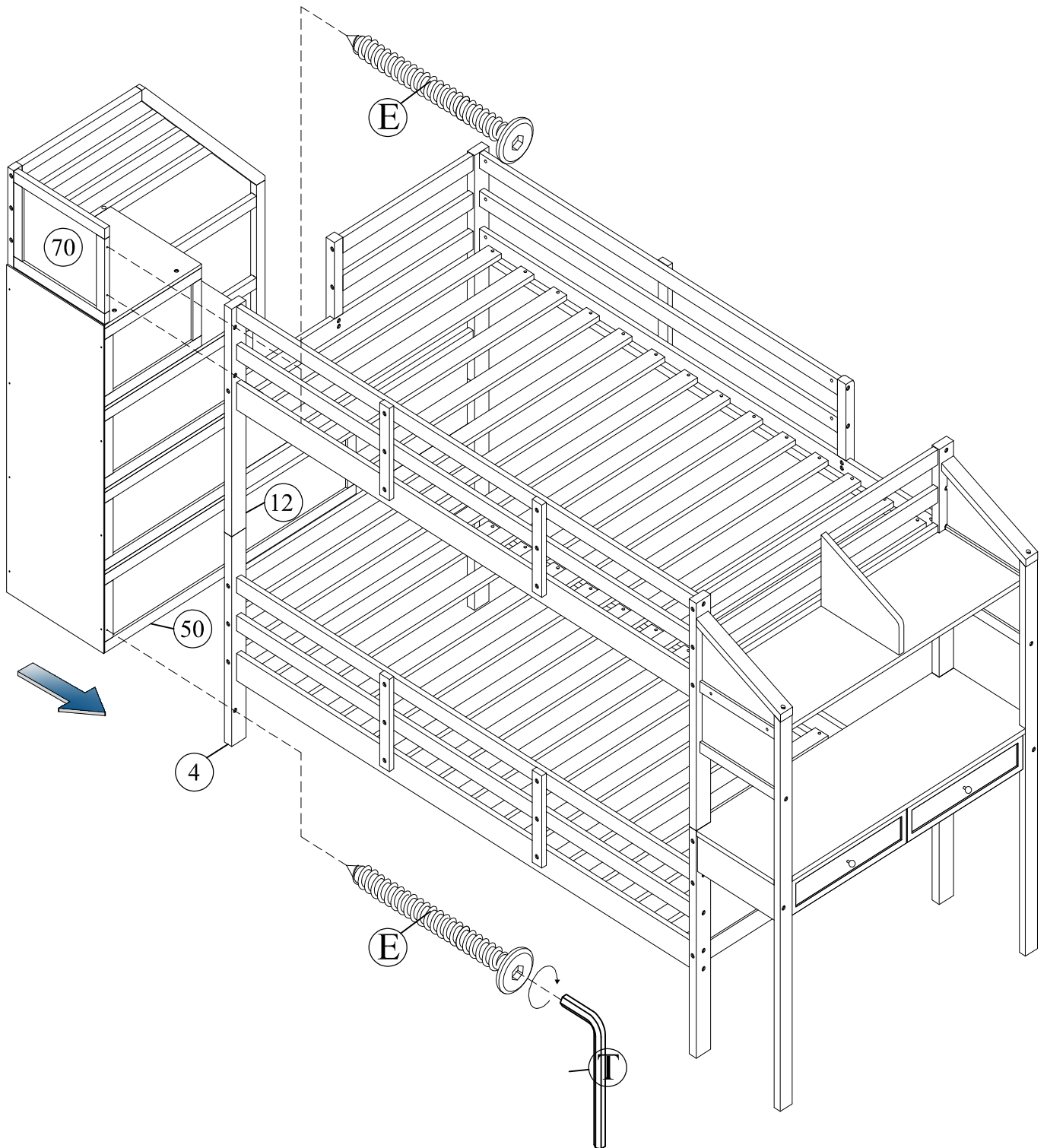
STEP 54:

E		02
P		08
T		01


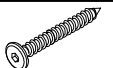



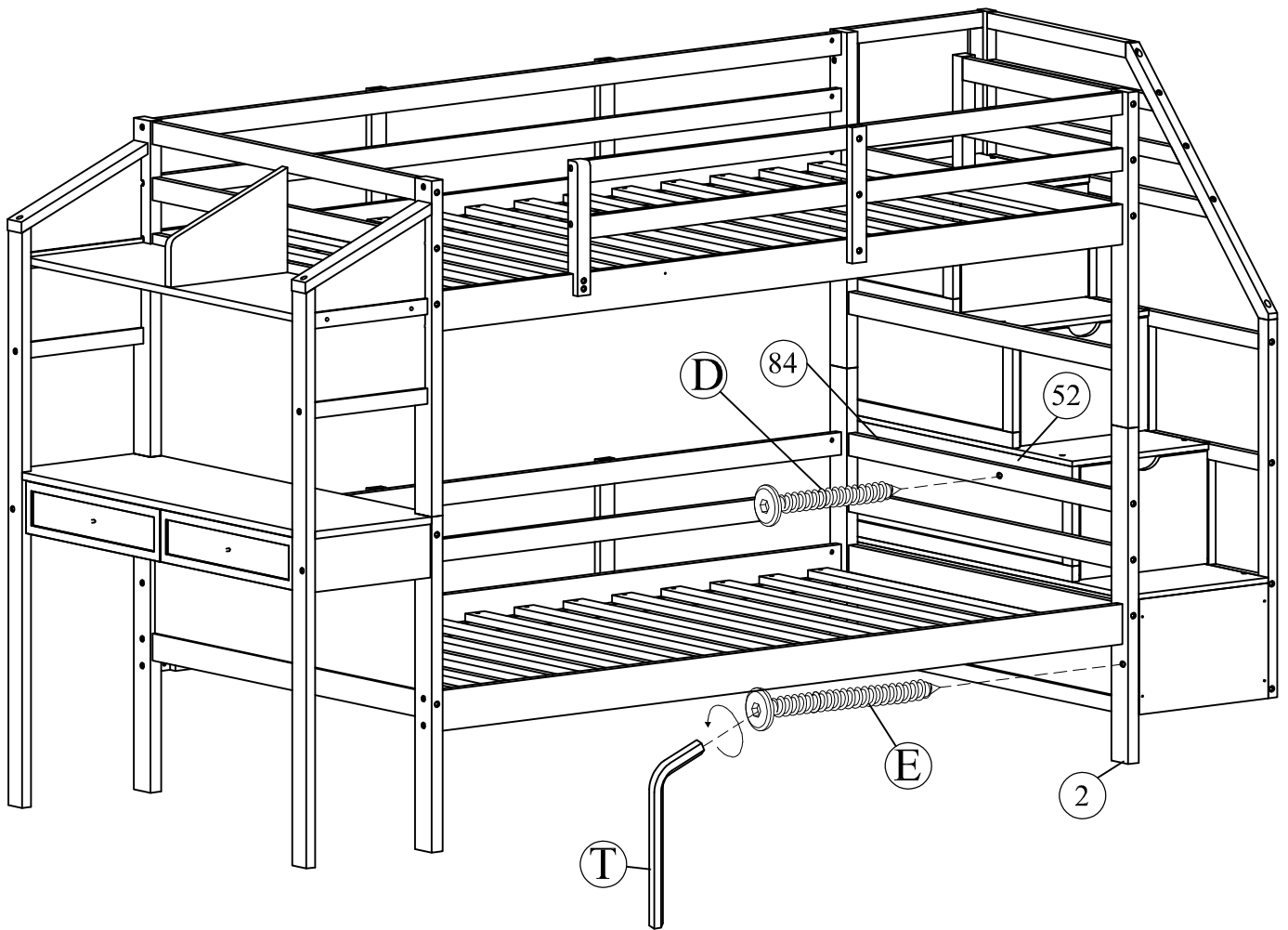
STEP 55:

E		03
T		01

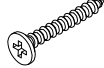


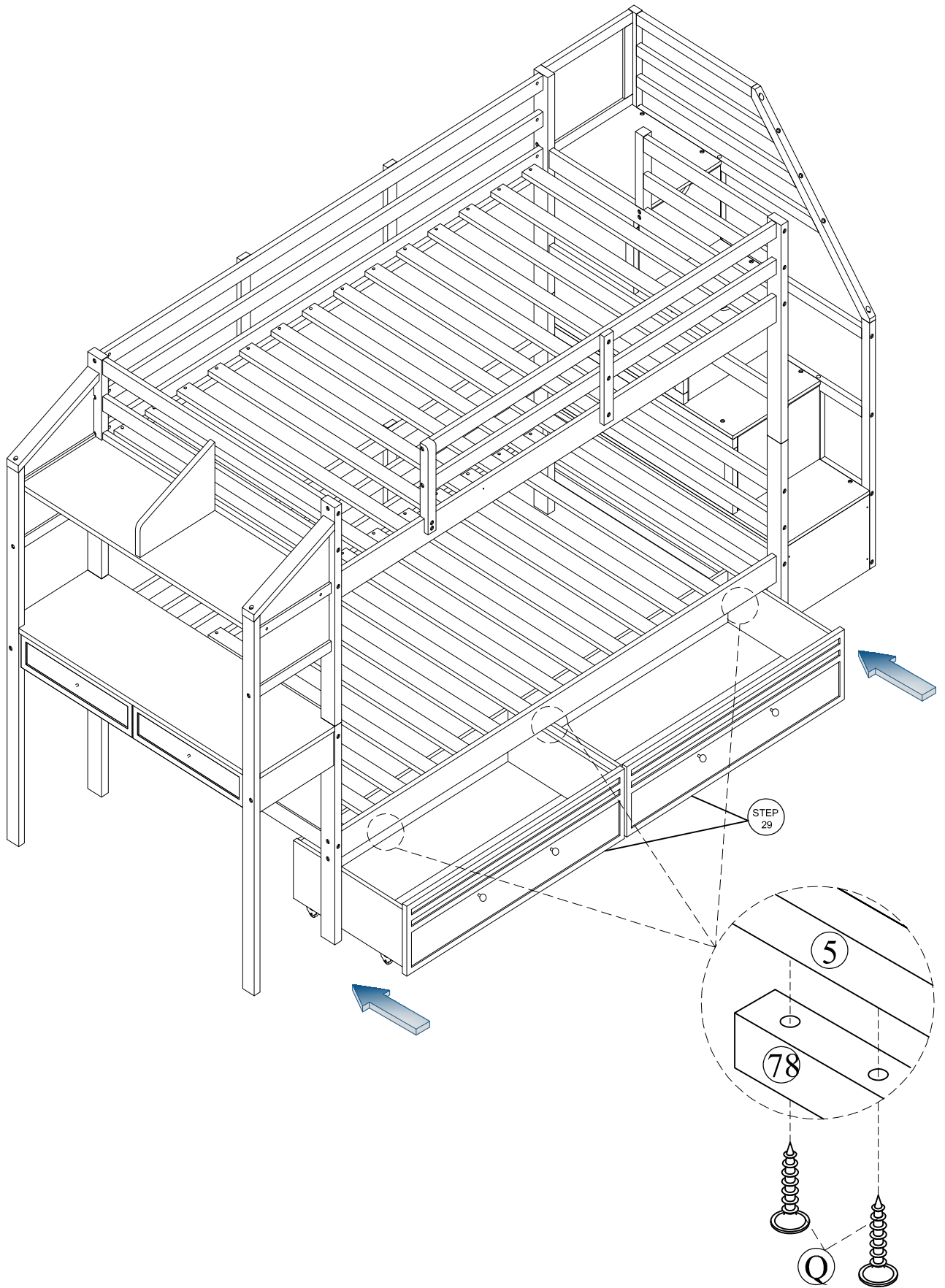
STEP 56:

D		01
E		01
T		01




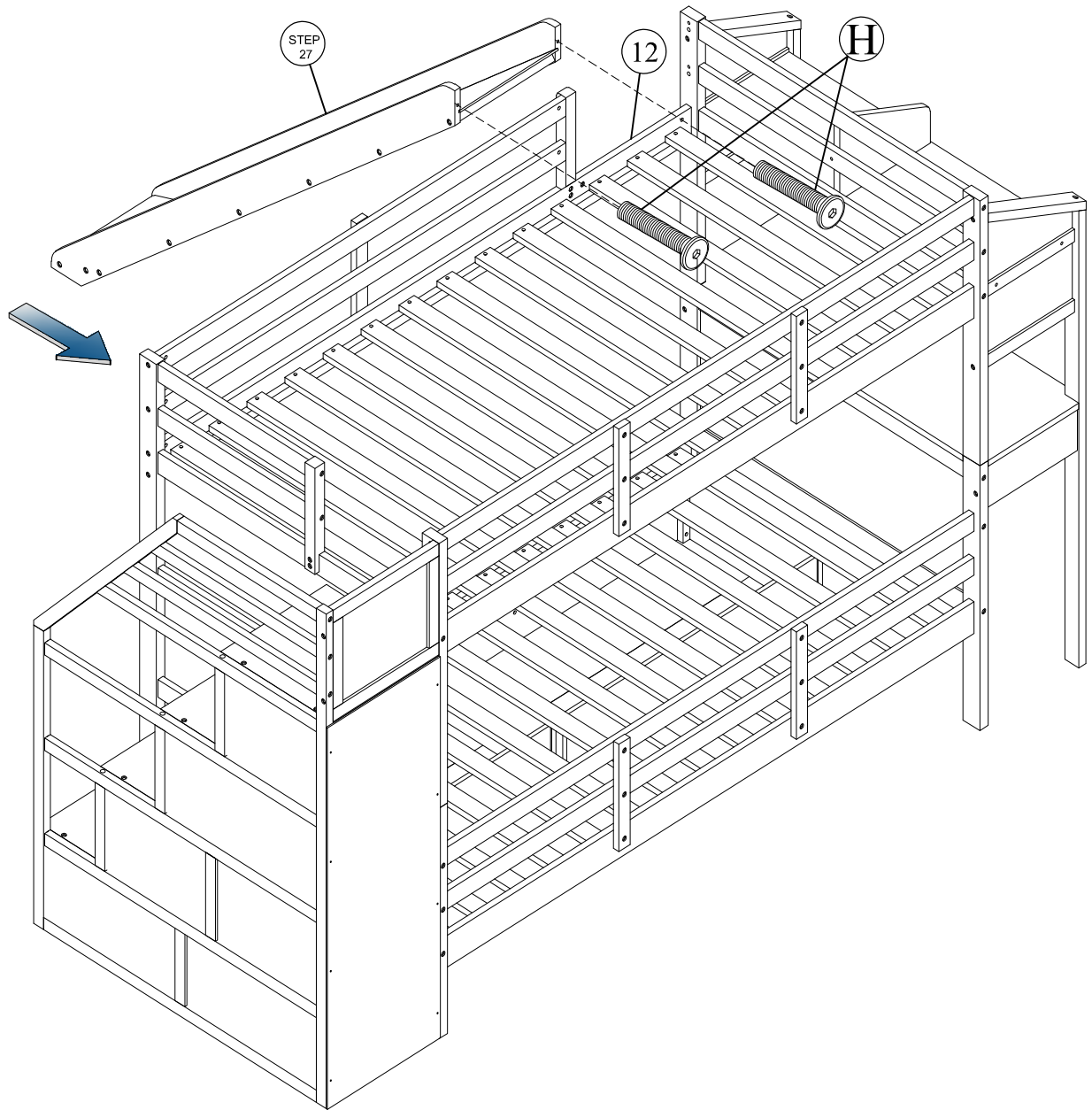
STEP 57:

Q		06
---	---	----



STEP 58:

H		02
---	---	----



FINAL:

