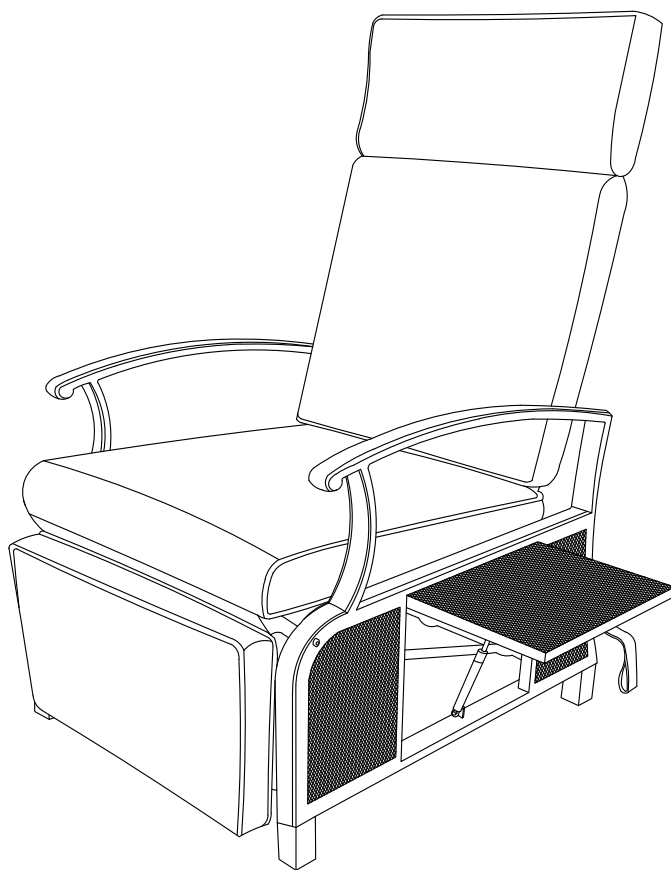


# Patio Recliner Chair

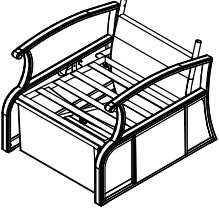
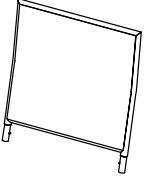
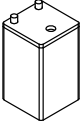
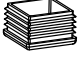
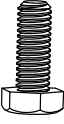
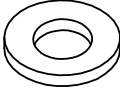
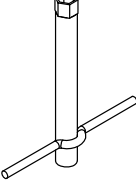
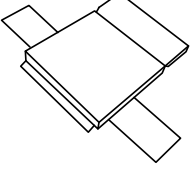
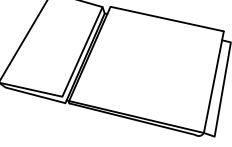
## ASSEMBLY MANUAL



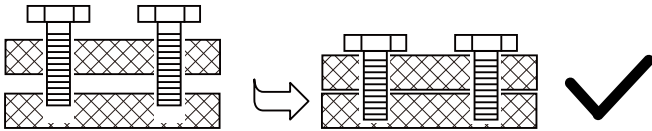


# READ & SAVE BELOW INSTRUCTIONS BEFORE ASSEMBLY

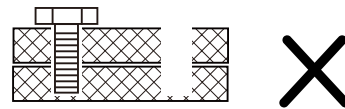
1. PLEASE SEPARATE AND IDENTIFY ALL PARTS, MAKING SURE THAT YOU HAVE ALL OF THE PARTS LISTED.
2. TO AVOID ANY SCRATCH DURING ASSEMBLY, PLEASE ASSEMBLE ON A SOFT MAT OR SIMILAR.
3. PLEASE ASSEMBLE STEP BY STEP AND FOLLOW THE INSTRUCTIONS.
4. WASHERS MUST BE USED.
5. WHILE EACH SCREW AND NUT IS PROPERLY FASTENED, DO NOT OVER FASTEN IT.
6. DO NOT COMPLETELY FASTEN EACH SCREW AND NUT UNTIL ALL THE SCREWS ARE PROPERLY FIXED.

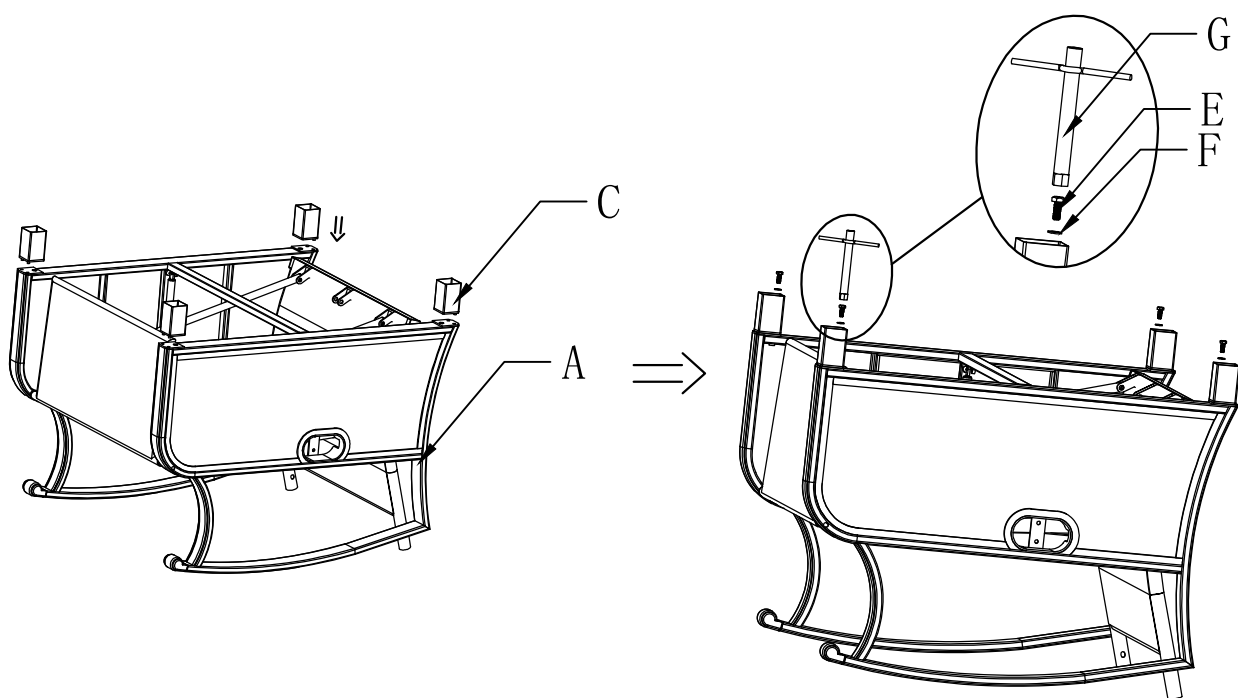
 <p><b>Seat With Arms</b></p> <table border="1" data-bbox="193 678 419 719"> <tr> <td>A</td> <td></td> <td>1PC</td> </tr> </table>	A		1PC	 <p><b>Backrest</b></p> <table border="1" data-bbox="571 678 799 719"> <tr> <td>B</td> <td></td> <td>1PC</td> </tr> </table>	B		1PC	 <p><b>Foot Kit</b></p> <table border="1" data-bbox="949 678 1177 719"> <tr> <td>C</td> <td></td> <td>4PCS</td> </tr> </table>	C		4PCS	 <p><b>Plastic Foot Pad</b></p> <table border="1" data-bbox="1329 678 1564 719"> <tr> <td>D</td> <td></td> <td>4PCS</td> </tr> </table>	D		4PCS
A		1PC													
B		1PC													
C		4PCS													
D		4PCS													
 <p><b>Bolt</b></p> <table border="1" data-bbox="193 1037 419 1075"> <tr> <td>E</td> <td>M6*16</td> <td>4PCS</td> </tr> </table>	E	M6*16	4PCS	 <p><b>Washer</b></p> <table border="1" data-bbox="571 1037 799 1075"> <tr> <td>F</td> <td>D6</td> <td>4PCS</td> </tr> </table>	F	D6	4PCS	 <p><b>Wrench</b></p> <table border="1" data-bbox="949 1037 1177 1075"> <tr> <td>G</td> <td></td> <td>1PC</td> </tr> </table>	G		1PC	 <p><b>Backrest Cushion</b></p> <table border="1" data-bbox="1329 1037 1564 1075"> <tr> <td>H</td> <td></td> <td>1PC</td> </tr> </table>	H		1PC
E	M6*16	4PCS													
F	D6	4PCS													
G		1PC													
H		1PC													
 <p><b>Seat Cushion</b></p> <table border="1" data-bbox="193 1395 419 1429"> <tr> <td>I</td> <td></td> <td>1PC</td> </tr> </table>	I		1PC												
I		1PC													

Install all the relevant screws, but do not tighten them completely at the very beginning.  
Tighten the screws fully one by one.



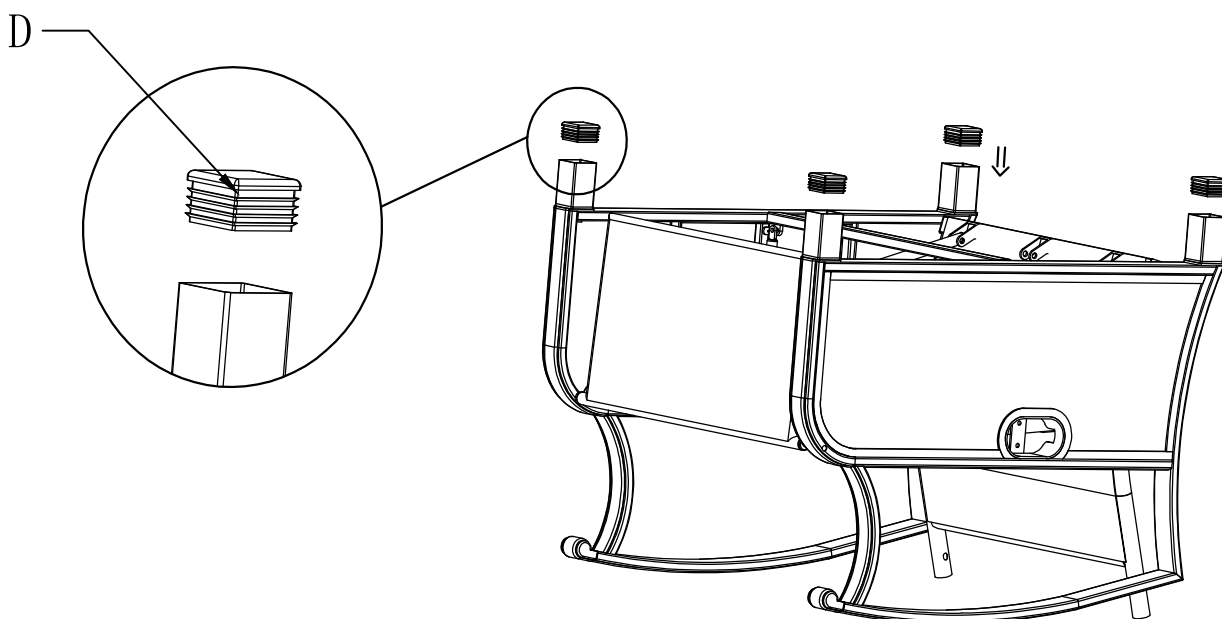
Don't tighten up the screw before you start next mounting during the installation.





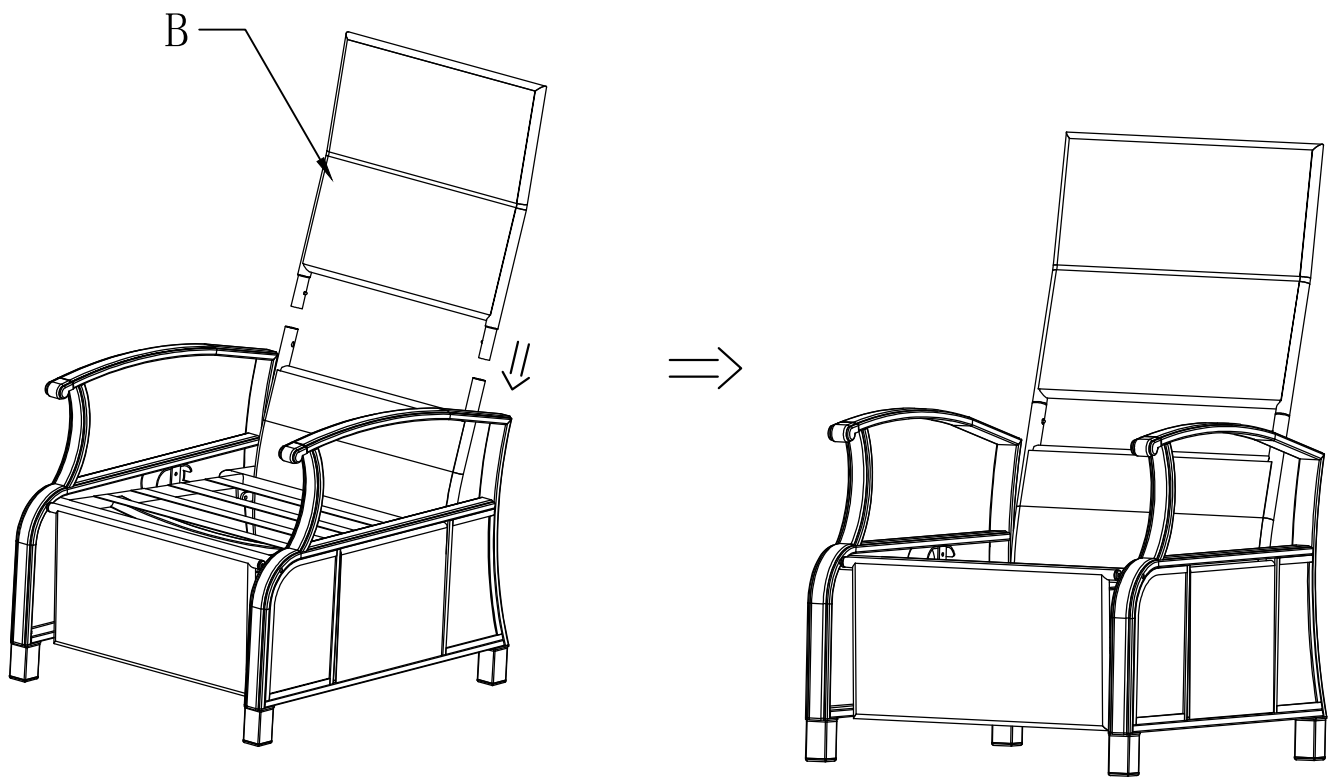
Using wrench G to screw each foot kit C with bolt E & washer F.

A



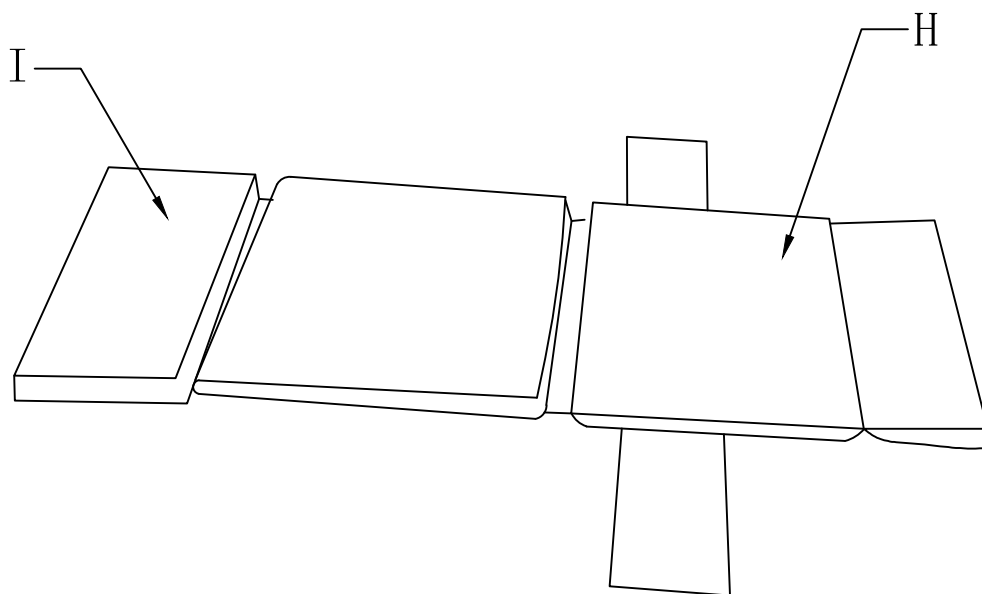
Use a hammer to drive each foot pad #D into each foot kit.

B



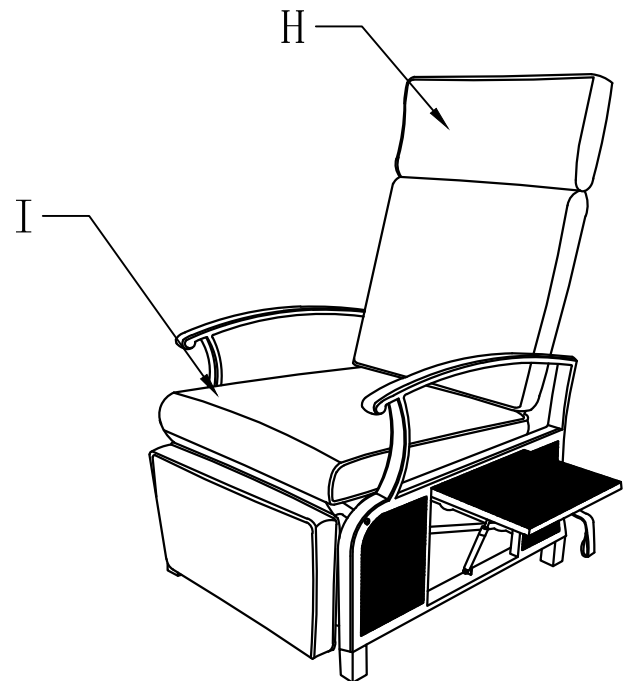
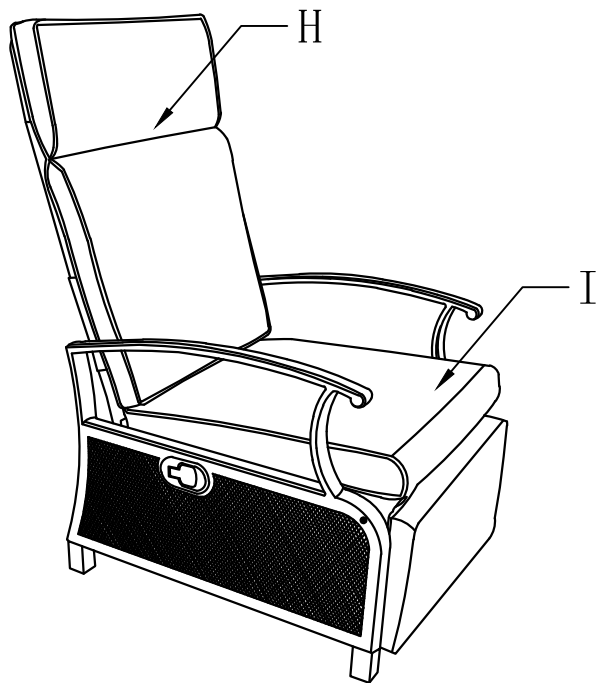
Insert the seatback into the seat.

C

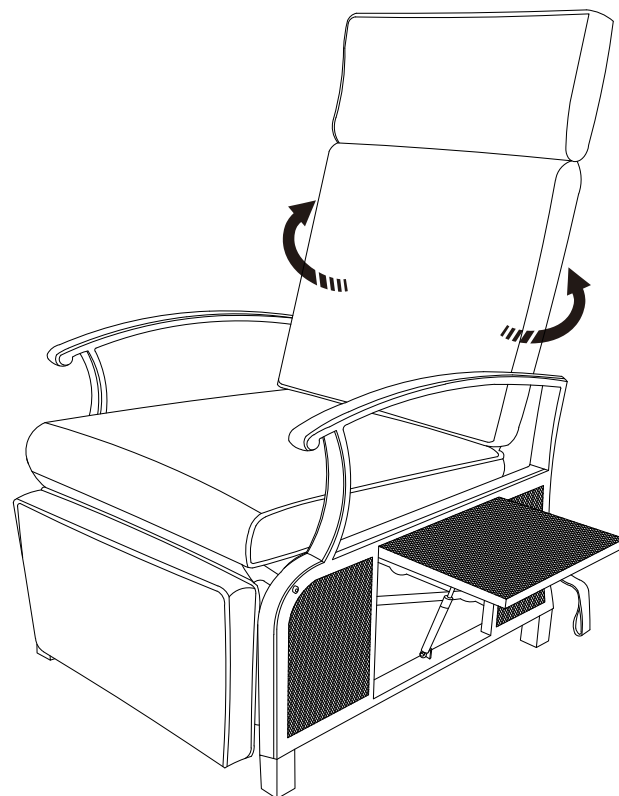


Attach the two cushions with the Velcro in the center.

D



E



### CARE AND CLEANING:

1. TO CLEAN,WIPE WITH DAMP CLOTH.DO NOT USE BLEACH,ACID SOLVENTS OR ABRASIVE CLEANERS OR FRAME PARTS.
2. DURING VARYING WEATHER CONDITIONS AND WINTER PERIOD,WE STRONGLY RECOMMEND THAT IT CAN BE STORED IN A DRY AREA WITH A SUITABLE COVER BEFORE STORAGE,PLS INSURE IT IS CLEAN AND DRY.
3. IN THE EVENT OF BARE METAL SHOWING DUE TO SCRATCH,IT IS PREFERRED TO TREAT WITH A RUST REPELLING VARNISH OR SIMILAR.
4. PERIODICALLY CHECK AND ENSURE THAT ALL THE SCREWS ARE COMPLETELY TIGHTEN.