



7.2 cu.ft. Top Mount Refrigerator/Freezer





Congratulations

Congratulations on the purchase of your new Marathon Appliance!

To activate your Warranty, please register your appliance at www.stirlingmarathon.com or by completing and mailing the enclosed Warranty Registration Card. We are confident you will have years of hassle free enjoyment and ask that you please retain the Use & Care Guide for future reference and your safety.

Important Safety Instructions

⚠ WARNING ⚠

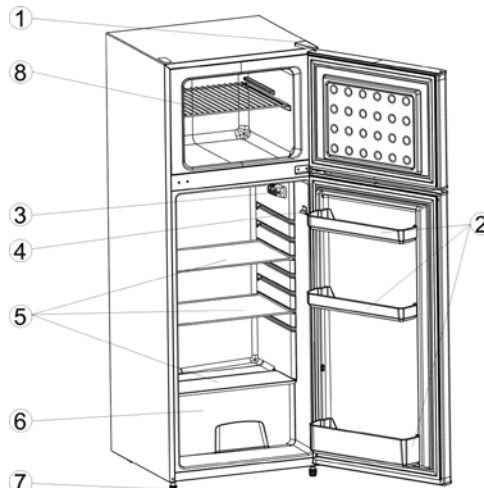
To reduce the risk of fire, electrical shock, or injury follow these basic precautions when using your appliance.

- 1) **WARNING**----Keep ventilation openings, in the appliance enclosure or in the built-in structure, clear of obstruction.
- 2) **WARNING**----Do not use mechanical devices or other means to accelerate the defrosting process, other than those recommended by the manufacturer.
- 3) **WARNING**----Caution when moving the appliances there is a risk of damaging the refrigerant tubing
- 4) **WARNING**----Do not use electrical appliances inside the food storage compartments of the appliances, unless they are of the type recommended by the manufacturer.
- 5) **WARNING**----**DANGER**: Never allow children to play with, operate, or crawl inside the refrigerator. Risk of child entrapment. Before you throw away your old refrigerator or freezer:
 - Completely remove all doors or lids
 - Leave the shelves in place so that children may not easily climb inside.
- 6) The appliance has to be unplugged before carrying out user maintenance on the appliance.
- 7) If the component part is damaged, it must be replaced by the manufacturer, its service agent or similar qualified persons in order to avoid a hazard.
- 8) Please abandon the refrigerator according to local regulations as the unit contains flammable blowing gas and refrigerant.
- 9) Follow local regulations regarding disposal of the appliance due to flammable refrigerant and blowing gas. All refrigeration products contain refrigerants, which under the guidelines of federal law must be removed before disposal. It is the consumer's responsibility to comply with federal and local regulations when disposing of this product.
- 10) This appliance is intended to be used in household and similar environments; such as:
 - staff kitchen areas in shops, offices and other working environments;
 - farm houses and by clients in hotels, motels and other residential type environments;
 - bed and breakfast type environments;
 - catering and similar non-retail applications.
- 11) Do not store or use gasoline or any inflammable liquors and liquids inside or in the vicinity of refrigerator.
- 12) Do not use an extension cord with this appliance. If the power cord is too short, have a qualified electrician install an outlet near the appliance. Use of an extension can negatively affect the unit's performance.



Parts Description

- (1) Hinge Cover
- (2) Door rails
- (3) Thermostat
- (4) Interior Light Switch
- (5) Tempered Glass Shelves
- (6) Vegetable Crisper
- (7) Leveling leg
- (8) Freezer shelf



Installation Instructions

Before Using Your Refrigerator

- Remove the exterior and interior packing.
- Before connecting the refrigerator to the power source, let it stand upright for approximately 4 hours. This will reduce the possibility of a malfunction in the cooling system from improper handling during transportation.
- Clean the interior surface with lukewarm water using a soft cloth. (Cleaning instruction on page 9)

Installing Your Refrigerator

- This appliance is designed to be free standing only, and should not be recessed or built-in.
- Place your refrigerator on a floor that is strong enough to support the refrigerator when it is fully loaded.
- Allow 5 inches of space between the back and sides of the refrigerator, which allows the proper air ventilation. Adjust the feet to keep the refrigerator level.
- Locate the refrigerator away from direct sunlight and sources of heat (stove, heater, radiator, etc.). Direct sunlight may affect the acrylic coating and heat sources may increase electrical consumption. Ambient temperature below 50°F (10°C) or above 85°F (29.4°C) will hinder the performance of this appliance. **This unit is not designed for use in a garage or any other outside installation.**
- Avoid locating the refrigerator in moist areas.
- Plug the refrigerator into dedicated, properly installed-grounded wall outlet. Do not under any circumstances cut or remove the third (ground) prong from the power cord. Any questions concerning power and/or grounding should be directed toward a certified electrician or an authorized service center. **This unit is not designed to be installed in an RV or used with an inverter.**
- After plugging the appliance into a wall outlet, turn the unit on and allow the unit to cool down for 2-3 hours under before placing food in the refrigerator or freezer compartment.

Electrical Connection

WARNING

- Improper use of the grounded plug can result in the risk of electrical shock. If the power cord is damaged, have it replaced by an authorized service center.
- This refrigerator should be properly grounded for your safety. The power cord of this refrigerator is equipped with a three-prong plug which mates with standard three prong wall outlets to minimize the possibility of electrical shock.
- Do not, under any circumstances, cut or remove the third ground prong from the power cord supplied.
- This refrigerator requires a standard 115/120 Volt A.C. ~/60Hz electrical outlet with three-prong ground.
- This refrigerator is not designed to be used with an inverter.
- The cord should be secured behind the refrigerator and not left exposed or dangling to prevent accidental injury.
- Never unplug the refrigerator by pulling the power cord. Always grip the plug firmly and pull straight out from the receptacle.
- Do not use an extension cord with this appliance. If the power cord is too short, have a qualified electrician or service technician install an outlet near the appliance. Use of an extension cord can negatively affect the performance of the unit.

Important Safety Instructions

- Read all instructions before using the refrigerator.
- **DANGER or WARNING:** Risk of child entrapment.
- To avoid the possibility of child entrapment, please take the following precautions before throwing out the refrigerator.
 - Remove all doors from the unit.
 - Leave the shelves in place so that children may not easily climb inside.
- Never allow children to operate, play with, or crawl inside the refrigerator.
- Refrigerants: All refrigeration products contain refrigerants, which under the guidelines of federal law must be removed before disposal of product. It is the consumer's responsibility to comply with federal and local regulations when disposing of this product.
- Never clean refrigerator parts with flammable fluids. The fumes can create a fire hazard or explosion.
- Do not store or use gasoline or any other flammable vapors and liquids in the vicinity of this or any other refrigerator. The fumes can create a fire hazard or an explosion.

-Save these instructions-

Operating Your Refrigerator

Temperature Settings

- Your refrigerator has one control for regulating the temperature. The temperature control is located on the top center of the refrigerator compartment.
- The first time you turn the unit on, adjust the temperature control knob to “7” and run for at least 2 hours before putting foods inside. This will ensure the cabinet is thoroughly chilled before food is put in.
- The range of the refrigerator temperature control is from position "1" the warmest to "7" the coldest. Adjust the temperature control to the setting that best suits your needs. The setting of “4” should be appropriate for home or office refrigerator use.
- Turning the temperature control knob to “0” position stops the cooling cycle but does not shut off the power to the unit.

Note:

- If the unit is unplugged, loses power; you must wait 3 to 5 minutes before restarting the unit. If you attempt to restart before this time delay, the refrigerator will not start.
- Large amounts of food will lower the cooling efficiency of the appliance.
- Do not place the foods on the air outlet, and leave spaces for airflow.
- If you choose to change the thermostat setting, adjust thermostat control by one increment at a time. Allow several hours for temperature to stabilize between adjustments.

The Freezer Compartment

- This compartment is designed for the long-term storage of frozen food.
- The storage life of frozen foods varies and the recommended storage time should not be exceeded.
- Place frozen food into the freezer as quickly as possible after purchase. If there are instructions on the packet, carefully follow these instructions regarding storage times.

When To Defrost

This unit is not designed to defrost automatically. In order to prevent damage to the interior liner of the unit from excessive frost build-up, please manually defrost the unit every 3 months or when ice / frost is approximately 1/4 “ thick inside the freezer compartment.

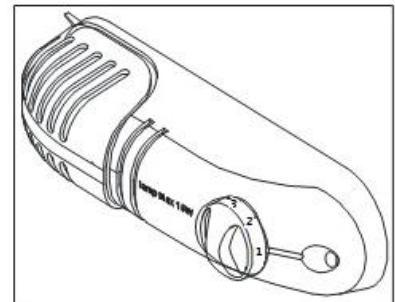
How To Defrost

Defrost the freezer compartment when the ice / frost are approximately 1/4” thick or every 3 months, whichever comes first. Set the thermostat dial to “0” to defrost. Remove all contents from the freezer compartment. Leave the freezer door open to allow accumulated ice / frost to melt. Remove large pieces of ice as needed. Do not use hot water or other electric heating devices to melt the accumulated ice. After defrosting, remove accumulated ice / water and wipe the freezer compartment dry with a soft cloth. In the event that the ice is not visibly present in the freezer compartment, please allow the evaporator located behind the freezer wall to completely defrost for approximately 2 hours before restarting the unit. Restart the unit per starting instructions.

How To Change the interior light

NOTE: All parts removed must be saved to do the reinstallation of the light bulb. Before removing the light bulb, unplug the appliance from the power supply. Failure to do so could result in electrical shock or personal injury.

- 1) Remove the lamp cover by unscrewing.
- 2) Unscrew old bulb from the lower hole at the thermostat control box.
- 3) Replace the new bulb of the same voltage and screw size.
- 4) Re-install the lamp cover by screwing.



Care and Maintenance

Cleaning Your Refrigerator

- Upon installation of your new appliance, it is recommended that it be cleaned thoroughly.
- Turn off the refrigerator first and then unplug the unit from the wall outlet.
- Remove all food content.
- Wash the inside with a damp warm cloth soaked in lukewarm water and baking soda solution. The solution should be about 2 tablespoons of baking soda to a quart of water.
- Be sure to keep the door gasket (seal) clean to keep the unit running efficiently.
- The outside of the refrigerator should be cleaned with mild detergent and warm water.
- Dry the interior and exterior with a soft cloth.

Vacation Time

- Turn off the refrigerator first and then unplug the unit from the wall outlet.
- Remove all the food.
- Clean the refrigerator.
- Leave the door open slightly to avoid possible formation of condensation, mold, or odor.
- Use extreme caution in the case of children. The unit should not be accessible to child's play.
- **Short vacations:** Leave the refrigerator operating during vacations of less than three weeks.
- **Long vacations:** If the appliance will not be used for several months, remove all food and unplug the power cord. Clean and dry the interior thoroughly. To prevent odor and mold growth, leave the door open slightly: blocking it open if necessary or have the door removed.

Moving Your Refrigerator

- Turn off the refrigerator first and then unplug the unit from the wall outlet.
- Remove all the food.
- Securely tape down all loose items inside your refrigerator.
- Tape the doors shut.
- Be sure the refrigerator stays in the upright position during transportation.

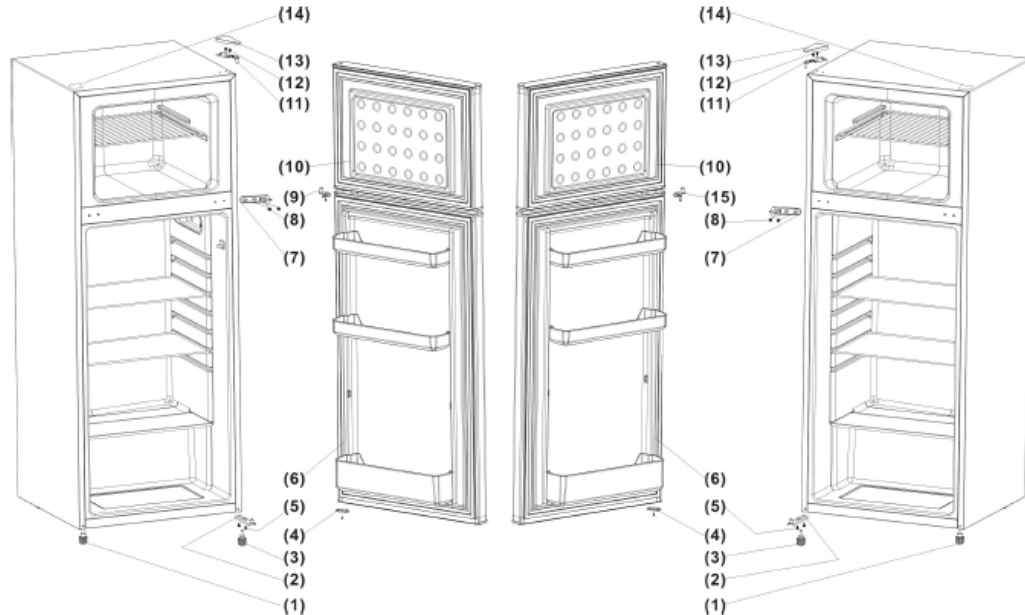
Energy Saving Tips

- The refrigerator should be located in the coolest area of the room, away from heat producing appliances or heating ducts, and out of the direct sunlight.
- Let hot foods cool to room temperature before placing in the refrigerator. Overloading the refrigerator forces the compressor to run longer. Foods that freeze too slowly may lose quality, or spoil.
- Be sure to wrap foods properly, and wipe containers dry before placing them in the refrigerator. This cuts down on frost build-up inside the refrigerator.
- Organize and label food to reduce door openings and extended searches. Remove as many items as needed at one time, and close the door as soon as possible.



Changing the Reversible Door

CAUTION: To avoid personal injury to yourself and/or property, we recommend someone assist you during the door reversal process.



Your refrigerator is built with a reversible door. You have the choice of either opening it from the left or the right side. In order to reserve the opening direction of your door, please follow these simple instructions:

- 1) Disassemble all the reversible components in the sequence as shown below (also refer to left diagram above). Be sure to keep them well for later use in the process of reassembling.

- | | |
|-----------------------------------|---------------------------------|
| (1) leveling leg II | (9) upper door right stopper |
| (2) bottom hinge | (10) door, freezer section |
| (3) leveling leg I | (11) top hinge |
| (4) bottom door baffle block | (12) 2 screws to hold top hinge |
| (5) 2 screws to hold bottom hinge | (13) Door hinge cover |
| (6) door, refrigerator section | (14) Plug |
| (7) mid hinge | (15) upper door left stopper |
| (8) 2 screws to hold mid hinge | |

- 2) To access the bottom hinge assembly, you may tilt back the refrigerator cabinet or lay the refrigerator on its back.
- 3) Remove the upper door right stopper (9), install the upper door left stopper (15) on the opposite side; take down the bottom door baffle block (4), and install it on the opposite side.
- 4) Reassemble the unit with the door hinges on the opposite side (see the right diagram above). The sequence for reassembling is just in reverse order of disassembling.
- 5) With the mid hinge not being fastened too tight, align two doors properly on the cabinet and then fasten the mid hinge. If necessary, loosen the bottom hinge and the top hinge when aligning and then fasten them tight.

Important Warning

- ⚠ Keep ventilation openings, in the appliance enclosure or in the built-in structure, clear of obstruction. Do not use mechanical devices or other means to accelerate the defrosting process, other than those recommended by the manufacturer.
- ⚠ Do not change or damage the refrigerant circuit.
- ⚠ Do not store explosive substances such as aerosol cans with a flammable propellant in this appliance. During transportation and installation of the appliance, be certain that none of the components of the refrigerant circuit become damaged.
- ⚠ It is dangerous to alter the specifications or modify this product in any way. Any damage to the cord may cause a short circuit, fire and/or electric shock.
- ⚠ This appliance is intended to be used in residential household, office or light commercial applications such as Hotels and College Dorms.
- ⚠ All electrical components (plug, power cord, compressor and etc.) must be replaced by a certified service agent or qualified service personnel.
- ⚠ The refrigerant contained within the compressor of the appliance is isobutene (R600a) which is environmentally friendly but flammable.
- ⚠ Make sure that the power plug is not crushed or damaged at the back of the appliance. A crushed or damaged power plug may overheat and cause a fire.
- ⚠ Power cord must not be lengthened.
- ⚠ Make sure that you can come to the mains plug of the appliance. Do not pull the mains cable.
- ⚠ If the power plug socket is loose, do not insert the power plug. There is a risk of electric shock or fire. You must not operate the appliance without the lamp.
- ⚠ This appliance is heavy. Care should be taken when moving it.
- ⚠ Do not remove nor touch items from the freezer compartment if your hands are damp/wet, as this could cause skin abrasions or frost/freezer burns.
- ⚠ Avoid prolonged exposure of the appliance to direct sunlight.



Troubleshooting Guide

You can solve many common refrigerator problems easily, saving you the cost of a possible service call. Try the suggestions below to see if you can solve the problem before calling for service.

PROBLEM	POSSIBLE CAUSE
Refrigerator does not operate.	Not plugged in. The circuit breaker tripped or a blown fuse.
Compressor turns on and off frequently.	The room temperature is hotter than normal. A large amount of food has been added to the refrigerator. The door is opened too often. The door is not closed completely. The temperature control is not set correctly. The door gasket does not seal properly. The refrigerator does not have the correct clearances. The refrigerator has recently been disconnected for a period of time. 4 hours are required for the refrigerator to cool down completely.
Temperature inside the refrigerator is too warm.	Temperature control is set too warm. Turn the control to a cooler setting and allow several hours for the temperature to stabilize. Door is kept open too long or is opened too frequently. Warm air enters the refrigerator every time the door is opened. Open the door less often. The door is not closed completely. The door gasket does not seal properly. A large amount of warm or hot food might have been stored recently. Wait until the refrigerator has had a chance to reach its selected temperature. The refrigerator has recently been disconnected for a period of time. 4 hours are required for the refrigerator to cool down completely.
Temperature inside the refrigerator is too cold.	Temperature control is set too cold. Turn the control to a warmer setting and allow several hours for the temperature to stabilize.
Temperature of external refrigerator surface is warm.	The exterior refrigerator walls can be as much as 30 ° F warmer than room temperature. This is normal while the compressor works to transfer heat from inside the refrigerator cabinet.
Popping or cracking sound when compressor comes on.	Metal parts undergo expansion and contraction, as in hot water pipes. This is normal. Sound will level off or disappear as refrigerator continues to run.
Bubbling or gurgling sound, like water boiling.	Refrigerant (used to cool refrigerator) is circulating throughout the system. This is normal.
Vibrations.	Check to assure that the refrigerator is on a level surface. Floor is uneven or weak. Refrigerator rocks on the floor when it is moved slightly. Be sure floor can adequately support refrigerator. Level the refrigerator by putting wood or metal shims under part of the refrigerator. The refrigerator is touching the wall. Re-level the refrigerator and move it from the wall. See "Installation Instructions".
Moisture forms on inside refrigerator walls.	Weather is hot and humid, which increases internal rate of frost build-up. This is normal. Door is slightly open. Door is kept open too long, or is opened too frequently. Open the door less often. The door is not sealed properly.
Moisture forms on outside of refrigerator.	Door is slightly open, causing cold air from inside the refrigerator to meet warm moist air from outside.
The door will not close properly.	The refrigerator is not on a level surface. The gasket is dirty.

For any Questions or concerns, please contact us at customerservice@stirlingmarathon.com or visit us at www.stirlingmarathon.com

1 Year Limited Warranty

When operated and maintained according to the instructions in the Use & Care Guide, Epic, a registered trademark of Stirling Marathon Limited, agrees to repair or replace this product for 1 year from the date of original purchase and/or agrees to pay for parts and service/labor required to correct defects in materials or workmanship. Any and all Service must be approved and provided by an Authorized Stirling Marathon Service provider. YOUR EXCLUSIVE REMEDY UNDER THIS LIMITED WARRANTY SHALL BE PRODUCT REPAIR OR REPLACEMENT AT THE SOLE DISCRETION OF STIRLING MARATHON LIMITED AS PROVIDED HEREIN. This limited warranty is valid only in Canada and the Continental United States with proof of original purchase and confirmed warranty registration.

TERMS OF WARRANTY BY PRODUCT

	Capacity/Type	Warranty Type
Refrigeration & Freezers	Less than 6 cu ft.	Carry-In
Refrigeration & Freezers	Greater than 6 cu ft.	In-Home
Electric & Gas Ranges	All Sizes	In-Home

How to Obtain Service

Carry-In: The original purchaser must deliver or ship the defective product to an authorized Stirling Marathon Service present a copy of the original bill of sale or Warranty Registration Confirmation

In-Home: Contact Authorized Service Center and provide a copy of the Original bill of sale or Warranty Registration Card. If you are in a remote area or the closest Authorized Service Center is further than 100 km (60 miles), you will be required to deliver the appliance to the closest Service Center at your expense.

Stirling Marathon is not be responsible or liable for any spoilage or damage to food or other contents of this appliance, whether due to any defect of the appliance, or its use, whether proper or improper.

Items Excluded from Warranty

- Damages due to shipping damage or improper installation. Damages due to misuse or abuse.
- Content losses due to failure of the unit
- Commercial or Rental Use Limited to 90 days Parts & Labor
- Plastic parts such as door bins, panels, door shelves, racks, light bulbs, etc.
- Punctures to the evaporator system due to improper defrosting of the unit.
- Service
- Repair by unauthorized service technicians
- Service calls that do not involve defects in material and workmanship such as instruction on proper use of the product, door reversal or improper installation.
- Replacement or resetting of house fuses or circuit breakers.
- Delivery costs incurred as the result of a unit that fails
- Expenses for travel and transportation for product service if your appliance is located in a remote area where service by an unauthorized service technician is not available. The removal and reinstallation of your appliance if it is installed in an inaccessible location or is not installed in accordance with published installation instructions.
- Liability under this warranty is limited to repair, replacement or refund. If a replacement unit is not available or the unit cannot be repaired, liability is limited to the actual purchase price paid by the consumer.
- This warranty applies only to the original purchaser and does not extend to any subsequent owner(s) and is non-transferable. No warranty or insurance herein contained or set out shall apply when damage or repair is caused by any of the following
- Accident, alteration, abuse or misuse of the appliance such as inadequate air circulation in the room or abnormal operating conditions (extremely high or low room temperature).
- Use for commercial or industrial purposes (i.e. if the appliance is not installed in a domestic residence). Fire, water damage, theft, war, riot, hostility, acts of God such as hurricanes, floods etc.
- Service calls resulting in customer education.
- Improper installation (i.e. Building-in of a free standing appliance or using an appliance outdoors that is not approved for outdoor application).

For Service or Assistance please contact us at: warranty@stirlingmarathon.com or visit us at www.stirlingmarathon.com



1 Ans de Garantie Limitée

Lorsqu'il est utilisé et entretenu conformément aux Instructions d'Utilisation et d'Entretien, Epic, une marque déposée de Stirling Marathon Limited, accepte de réparer ou de remplacer ce produit pendant 1 ans à compter de la date d'achat originale et / ou accepte de payer pour les pièces et le service / travail nécessaires pour corriger les vices de matériaux ou de fabrication. Tout service doit être approuvé et fourni par un fournisseur de service autorisé par Stirling Marathon. VOTRE RECOURS EXCLUSIF SOUS CETTE GARANTIE LIMITÉE EST LA RÉPARATION DU PRODUIT OU SON REMPLACEMENT À LA SEULE DISCRETION DE STIRLING MARATHON LIMITED, PRÉVUE AUX PRÉSENTES. Cette garantie limitée est valable uniquement au Canada et aux États-Unis Continentaux avec preuve d'achat original et enregistré de la garantie confirmée.

CONDITIONS DE GARANTIE PAR PRODUIT

Capacity/Type	Warranty Type
Refrigeration & Freezers	Less than 6 cu ft
Refrigeration & Freezers	Greater than 6 cu ft
Electric & Gas Ranges	In-Home
	In-Home
	Carry-In

Retour : L'acheteur original doit livrer ou expédier le produit défectueux à un service de Marathon Stirling autorisé et présenter une copie de la facture originale de vente ou la Confirmation d'Enregistrement de la Garantie.

In-Home: Contactez le Centre de Service Autorisé et fournissez une copie de la facture originale de vente ou la Carte d'Enregistrement de la Garantie. Si vous êtes dans une région éloignée ou le Centre de Service Autorisé est à plus de 100 km (60 miles), vous serez tenu de remettre l'appareil au centre de service le plus proche à vos frais. Stirling Marathon ne peut être tenu responsable pour toute détérioration ou dommage à la nourriture ou autres contenus de cet appareil, que ce soit en raison d'un défaut de l'appareil, ou de son utilisation, correcte ou incorrecte.

Éléments Exclus de la Garantie

- Les dommages dus à des dommages d'expédition ou à une mauvaise installation.
- Les dommages dus à une mauvaise utilisation ou de l'abus.
- Les pertes de contenu en raison de l'échec de l'unité
- Un usage Commercial ou Localif limité à 90 jours Pièces & Main d'Œuvre
- Les pièces en plastique, tels que les bacs de portes, panneaux, étagères de porte, porte, ampoules, etc.
- Performances du système d'évaporation dues à un mauvais dégivrage de l'appareil.
- Service ou réparations par des techniciens non autorisés
- Les appels de service qui ne concernent pas les défauts de matériaux et de fabrication tels que des instructions sur l'utilisation correcte du produit, l'inversion de la porte ou une mauvaise installation.
- Le remplacement ou la remise à zéro des fusibles ou des disjoncteurs.
- Les frais de livraison encourus à la suite d'une unité qui ne fonctionne plus
- Les frais de déplacement et de transport pour le service du produit si votre appareil est situé dans une région éloignée où le service par un technicien de service autorisé n'est pas disponible.
- La dépose et la réinstallation de votre appareil si elle est installée dans un endroit inaccessible ou n'est pas installée conformément aux instructions d'installation.
- La responsabilité sous cette garantie est limitée à la réparation, le remplacement ou le remboursement. Si une unité de remplacement n'est pas disponible ou si l'appareil ne peut pas être réparé, la responsabilité est limitée au prix d'achat réel payé par le consommateur.
- Cette garantie est applicable uniquement à l'acheteur original et ne couvre pas le(s) propriétaire(s) ultérieur(s) et est non-transférable.
- Aucune garantie ou assurance y figurant ou autrement stipulée n'est applicable lorsque le dommage ou la réparation est causée par un des éléments suivants
- Accident, modification, abus ou mauvaise utilisation de l'appareil tel que la circulation d'air insuffisante dans la chambre ou dans des conditions de fonctionnement anormales (température extrêmement élevée ou pièce à basse température).
- Utilisation à des fins commerciales ou industrielles (c'est à dire, si l'appareil n'est pas installé dans une résidence d'habitation domestique).
- Incendie, dégâts des eaux, vol, guerre, émeute, hostilité, les actes de Dieu tels que les ouragans, les inondations, etc.
- Les appels de service conduisant à la formation éducative des clients.
- Installation incorrecte (c'est à dire une addition de toute construction ou appareil additionnel(le) ou l'utilisation d'un appareil à l'extérieur qui n'est pas approuvé pour l'extérieur).

Pour le Service ou une Assistance, veuillez nous contacter à: warranty@stirlingmarathon.com ou nous rendre visite sur www.stirlingmarathon.com

Guide de Dépannage

Vous pouvez facilement résoudre de nombreux problèmes de réfrigérateur communs, vous permettant d'éviter de devoir appeler un réparateur. Essayez les suggestions ci-dessous pour voir si vous pouvez résoudre le problème avant d'appeler le service.

PROBLÈME	CAUSE POSSIBLE
Le réfrigérateur ne fonctionne pas.	Non branché.
Le compresseur s'allume et s'éteint fréquemment.	Le réfrigérateur n'est pas correctement réglé. Le contrôle de la température est trop chaud. Le réfrigérateur est trop chaud. Le joint de la porte ne se ferme pas complètement. La porte est ouverte trop souvent. Une grande quantité de nourriture a été ajoutée au réfrigérateur. La température ambiante est plus chaude que la normale. Le réfrigérateur a été débranché pendant un laps de temps. 4 heures sont nécessaires pour que le réfrigérateur refroidisse complètement.
La température à l'intérieur du réfrigérateur est trop chaude.	Contrôle de la température est trop chaud. Choisissez un réglage plus froid et attendez plusieurs heures pour que la température se stabilise. La porte est maintenue ouverte trop longtemps ou est ouverte trop fréquemment. L'air chaud pénètre dans le réfrigérateur chaque fois que la porte est ouverte. Ouvrez la porte moins souvent. La porte ne se ferme pas complètement. Le joint de la porte ne se referme pas correctement. Une grande quantité de nourriture chaude a été stockée récemment. Attendez que le réfrigérateur ait eu la chance d'atteindre la température sélectionnée. Le réfrigérateur a récemment été débranché pendant un laps de temps. 4 heures sont nécessaires pour que le réfrigérateur refroidisse complètement.
La température à l'intérieur du réfrigérateur est trop froide.	Le contrôle de la température est trop froid. Tournez la commande à un réglage plus chaud et laissez plusieurs heures pour que la température se stabilise.
La température de la surface du réfrigérateur externe est chaude.	Les parois extérieures du réfrigérateur peuvent être jusqu'à 30 ° F plus chaudes que la température ambiante. Ceci est normal pendant que le compresseur fonctionne pour transférer la chaleur de l'intérieur du réfrigérateur.
Craquements lorsque le compresseur est allumé.	Les pièces métalliques subissent une dilatation et une contraction, comme dans les conduites d'eau chaude. Ceci est normal. Les bruits se stabilisent ou disparaissent lorsque le réfrigérateur continue de fonctionner.
Bulles ou gargouillement, comme de l'eau bouillante.	Un réfrigérant (utilisé pour refroidir le réfrigérateur) circule dans tout le système. Ceci est normal.
Vibrations.	Vérifier que le réfrigérateur se trouve sur une surface plane. Le plancher est inégal ou faible. Le réfrigérateur se balance un peu sur le sol quand il est déplacé légèrement. Assurez-vous que le sol peut adéquatement supporter le réfrigérateur. Nivelier le réfrigérateur en plaçant des cales en bois ou en métal sous une partie du réfrigérateur. Le réfrigérateur touche le mur. Remettez le réfrigérateur à niveau et déplacez-le de la paroi. Voir "Instructions d'installation".
Humidité sur les parois intérieures du réfrigérateur.	Le temps est chaud et humide, ce qui augmente le taux interne de l'accumulation de givre. Ceci est normal. La porte est entrouverte. La porte reste ouverte trop longtemps ou est ouverte trop fréquemment. Ouvrez la porte moins souvent. La porte n'est pas scellée correctement.
Humidité sur les parois extérieures du réfrigérateur.	La porte est entrouverte, l'air froid à l'intérieur du réfrigérateur rencontre l'air chaud et humide de l'extérieur. La porte ne se ferme pas correctement. Le joint est sale.
Le réfrigérateur n'est pas sur une surface plane.	

Pour toute question ou préoccupation, veuillez nous contacter à customerservice@stringmarathon.com ou en ligne sur www.stringmarathon.com

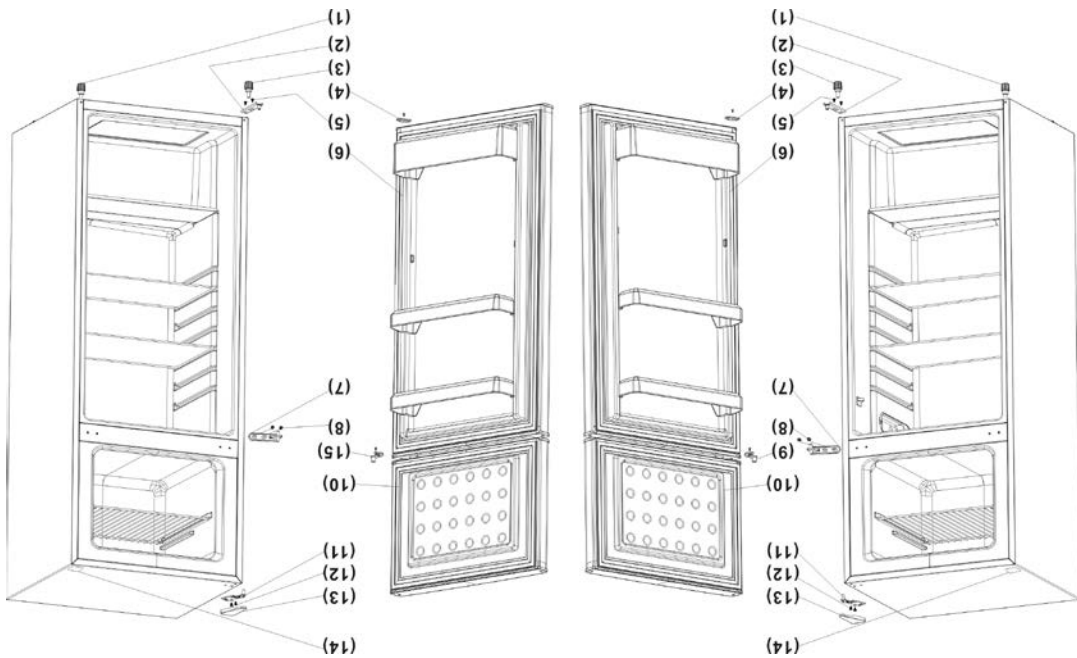
- Gardez les ouvertures de ventilation, dans l'enceinte de l'appareil ou dans la structure intégrée, sans obstacles.
- Ne pas utiliser de dispositifs mécaniques ou autres moyens pour accélérer le processus de dégivrage, autres que ceux recommandés par le fabricant.
- Ne pas modifier ou endommager le circuit frigorifique.
- Ne stockez pas de substances explosives telles que les bombes aérosol avec un propulseur inflammable dans cet appareil.
- Pendant le transport et l'installation de l'appareil, être certain qu'aucun des composants du circuit frigoriférant n'est endommagé.
- Il est dangereux de modifier les spécifications ou modifier ce produit en aucune façon. Tout dommage au cordon peut provoquer un court-circuit, un incendie et / ou un choc électrique.
- Cet appareil est destiné à être utilisé dans les ménages résidentiels, bureaux ou entreprises commerciales légères tels que les hôtels et les dortoirs universitaires.
- Tous les composants électriques (prise, cordon d'alimentation, compresseur, etc.) doivent être remplacés par un agent de service certifié ou du personnel qualifié. Le réfrigérant contenu dans le compresseur de l'appareil est du butane (R600a), ce qui est respectueux de l'environnement, mais inflammable.
- Assurez-vous que le cordon d'alimentation n'est pas écrasé ou endommagé à l'arrière de l'appareil. Un cordon d'alimentation endommagé ou concassé peut surchauffer et provoquer un incendie.
- Le cordon d'alimentation ne doit pas être rallongé.
- Assurez-vous que vous pouvez accéder à la prise secteur de l'appareil.
- Ne tirez pas sur le câble d'alimentation.
- Si la prise de courant électrique est desserrée, ne pas insérer dans la prise d'alimentation. Il y a un risque de choc électrique ou d'incendie.
- Vous ne devez pas utiliser l'appareil sans la lampe.
- Cet appareil est lourd. Des précautions doivent être prises lors de son déplacement.
- Ne pas retirer ou toucher des éléments du compartiment congélateur si vos mains sont humides, car cela pourrait provoquer des éraflures ou des brûlures cutanées.
- Éviter l'exposition prolongée de l'appareil à la lumière directe.

Avertissement Important



Changement de la Porte Réversible

ATTENTION: Pour éviter des blessures pour vous et ou à la propreté, nous recommandons quelque'un vous assiste pendant le processus d'inversion de porte.



Votre réfrigérateur est construit avec une porte réversible. Vous avez le choix entre une ouverture à gauche ou à droite. Afin de réserver le sens d'ouverture de la porte, veuillez suivre ces instructions simples :

1) Démontez tous les composants réversibles dans la séquence comme indiqué ci-dessous (voir aussi le schéma ci-dessus à gauche). Assurez-vous de bien garder les pièces pour une utilisation ultérieure dans le processus d'assemblage.

- (1) nivellement jambe II
- (2) charnière inférieure
- (3) nivellement jambe I
- (4) bloc porte de fond de chicane
- (5) 2 vis pour maintenir la charnière inférieure
- (6) porte, section réfrigérateur
- (7) charnière centrale
- (8) 2 vis pour maintenir la charnière centrale
- (9) bouchon supérieur droit de la porte
- (10) porte, section congélateur
- (11) charnière supérieure
- (12) 2 vis pour maintenir la charnière supérieure
- (13) porte couvercle de la charnière
- (14) Prise
- (15) bouchon supérieur gauche de la porte

2) Pour accéder à l'ensemble de la charnière inférieure, vous pouvez incliner le réfrigérateur ou le placer sur son dos.

3) Retirez le bouchon supérieur droit de la porte (9), installez le bouchon supérieur gauche de la porte (15) sur le côté opposé; enlever le bloc de chicane de la porte (4), et l'installer sur le côté opposé.

4) Remontez l'unité avec les charnières de porte sur le côté opposé (voir le schéma ci-dessus à droite). La séquence de réassemblage est dans l'ordre inverse du démontage.

5) Avec la charnière centrale pas trop serré, aligner deux portes correctement sur le réfrigérateur et fixer la charnière centrale. Si nécessaire, desserrez la charnière inférieure et la charnière supérieure lors de l'alignement et Avant de les serrer à nouveau.

Nettoyage de votre réfrigérateur

- Lors de l'installation de votre nouvel appareil, il est recommandé qu'il soit nettoyé en profondeur.
- Eteindre le réfrigérateur d'abord, puis débrancher l'appareil de la prise murale.
- Retirer tout le contenu.
- Lavez l'intérieur avec un chiffon humide et chaud trempé dans de l'eau tiède et une solution de bicarbonate de soude. La solution devrait être d'environ 2 cuillères à soupe de bicarbonate de soude pour un litre d'eau.
- Assurez-vous de garder le joint de la porte propre à l'intérieur afin que l'appareil continue de fonctionner efficacement.
- L'extérieur du réfrigérateur doit être nettoyé avec un détergent doux et de l'eau chaude.
- Séchez l'intérieur et l'extérieur avec un chiffon doux.

Période de vacances

- Eteindre le réfrigérateur d'abord, puis débrancher l'appareil de la prise murale.
- Retirez tous les aliments.
- Nettoyez le réfrigérateur.
- Laissez la porte légèrement ouverte pour éviter la formation éventuelle de condensation, de moisissure ou d'odeur.
- Soyez extrêmement prudent dans le cas des enfants. L'appareil ne doit pas être accessible aux enfants.
- Vacances courtes : Laissez le réfrigérateur fonctionner pendant des absences de moins de trois semaines.
- Longues vacances : Si l'appareil ne sera pas utilisé pendant plusieurs mois, retirez tous les aliments et débranchez le cordon d'alimentation. Nettoyer et sécher soigneusement l'intérieur. Pour éviter les odeurs et les moisissures, laissez la porte entrouverte: blocage ouvert si nécessaire ou porte enlevée.

Déplacement de votre réfrigérateur

- Eteindre le réfrigérateur d'abord, puis débrancher l'appareil de la prise murale.
- Retirez tous les aliments.
- Fixez solidement vers le bas tous les articles en vrac à l'intérieur de votre réfrigérateur.
- Collez les portes fermées.
- Assurez-vous que le réfrigérateur reste en position verticale pendant le transport.

Économiser de l'énergie

- Le réfrigérateur doit être situé dans la zone la plus froide de la pièce, loin de la chaleur produite par des appareils ou des conduits de chauffage, et hors de la lumière directe du soleil.
- Laissez refroidir les aliments chauds à température ambiante avant de les placer dans le réfrigérateur. La surcharge du réfrigérateur oblige le compresseur à fonctionner plus longtemps. Les aliments qui gèlent trop lentement peuvent perdre en qualité, ou périr.
- Assurez-vous d'emballer les aliments et essuyez les contenants avant de les placer dans le réfrigérateur. Cela réduit l'accumulation de givre à l'intérieur du réfrigérateur.
- Organisez la nourriture avec des étiquettes pour réduire les ouvertures de porte et les recherches prolongées. Retirez autant d'articles que nécessaire à un moment donné, et fermez la porte dès que possible.

Utilisation de votre Réfrigérateur

Réglages de la température

- Votre réfrigérateur comporte une commande pour régler la température. Le contrôle de température est situé sur la partie centrale supérieure du compartiment de réfrigération. La première fois que vous allumez l'appareil, régler le bouton de contrôle de la température sur "7" et laissez pendant au moins 2 heures avant de mettre les aliments à l'intérieur. Cela permettra d'assurer que le réfrigérateur soit complètement refroidi avant de le remplir.
- La portée du contrôle de la température du réfrigérateur est de la position "1" le plus chaud à "7" le plus froid. Réglez la commande de température sur le réglage qui convient le mieux à vos besoins. Le réglage de "4" devrait être approprié pour une utilisation à la maison ou au bureau.
- Tourner le bouton de contrôle de la température à la position "0" arrête le cycle de refroidissement, mais ne coupe pas l'alimentation de l'appareil.

Remarque :

- Si l'appareil est débranché, perd de la puissance; vous devez attendre 3 à 5 minutes avant de redémarrer l'unité. Si vous essayez de redémarrer avant ce délai, le réfrigérateur ne démarrera pas.
- De grandes quantités de nourriture feront baisser l'efficacité de refroidissement de l'appareil.
- Ne placez pas les aliments sur la sortie d'air, et laissez des espaces pour le flux d'air.
- Si vous choisissez de modifier le réglage du thermostat, réglez le contrôle du thermostat d'un incrément à la fois. Accorder quelques heures pour que la température se stabilise entre ajustements.

Le compartiment congélateur

- Ce compartiment est conçu pour le stockage à long terme des aliments surgelés.
- La durée de conservation des aliments congelés varie et le temps de stockage recommandé ne doit pas être dépassé.
- Placez les aliments congelés dans le congélateur le plus rapidement possible après l'achat. S'il y a des instructions sur le paquet, suivez attentivement les instructions concernant les temps de stockage.

Quand Dégivrer

Cet appareil n'a pas été conçu pour se dégivrer automatiquement. Afin d'éviter d'endommager le revêtement intérieur de l'unité à cause d'une accumulation de gel excessive, veuillez dégivrer manuellement l'appareil tous les 3 mois ou lorsque la glace / le gel est d'une épaisseur d'environ ¼" à l'intérieur du compartiment congélateur.

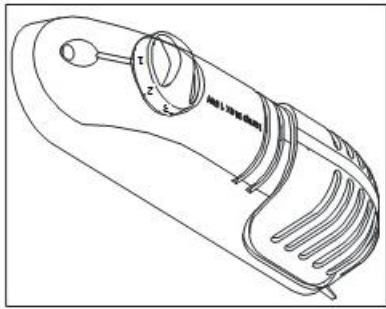
Comment Dégivrer

Dégivrez le compartiment congélateur lorsque la glace / le gel est d'une épaisseur d'environ ¼" ou tous les 3 mois, selon la première éventualité. Réglez le bouton du thermostat sur "0" pour le dégivrage. Retirez tout le contenu du compartiment congélateur. Laissez la porte du congélateur ouverte pour permettre à la glace accumulée de fondre. Retirez les gros morceaux de glace au besoin. Ne pas utiliser d'eau chaude ou d'autres appareils de chauffage électrique pour faire fondre la glace accumulée. Après décongélation, enlever la glace / l'eau accumulées et essuyez le compartiment congélateur avec un chiffon doux. Dans le cas où la glace ne serait pas visiblement présente dans le compartiment congélateur, veuillez permettre à l'évaporateur situé derrière la paroi du congélateur de décongeler complètement pendant environ 2 heures avant de redémarrer l'appareil. Redémarrez l'unité avec les instructions de démarrage.

Comment faire pour changer la lumière intérieure

NOTE: Toutes les pièces enlevées doivent être gardées pour faire la réinstallation de l'ampoule. Avant de retirer l'ampoule, débranchez l'appareil de l'alimentation électrique. Ne pas le faire pourrait entraîner un choc électrique ou une blessure.

- 1) Retirez le couvercle de la lampe en dévissant.
- 2) Dévissez la vieille ampoule du trou intérieur au boîtier de commande du thermostat.
- 3) Remplacez la nouvelle ampoule de la même tension et taille.
- 4) Remettez le couvercle de la lampe en vissant.



Instructions d'Installation

Avant d'utiliser votre réfrigérateur

- Retirez l'emballage extérieur et intérieur.
- Avant de brancher le réfrigérateur à la source d'alimentation, laissez-le debout pendant environ 4 heures. Cela permettra de réduire la possibilité d'un dysfonctionnement dans le système de refroidissement due à une mauvaise manipulation pendant le transport.
- Nettoyer la surface intérieure à l'eau tiède avec un chiffon doux. (Instruction de nettoyage à la page 9)

Installation de votre réfrigérateur

- Cet appareil est conçu pour être debout libre seulement, et ne doit pas être encasté ou intégré.
- Placez votre réfrigérateur sur un plancher qui est assez solide pour supporter le réfrigérateur quand il est complètement chargé.
- Autoriser 5 pouces d'espace entre l'arrière et les côtés du réfrigérateur, ce qui permet la ventilation de l'air. Ajustez les pieds pour maintenir le niveau du réfrigérateur.
- Placez le réfrigérateur loin de la lumière directe et des sources de chaleur (cuisinière, chauffage, radiateur, etc.). La lumière solaire directe peut affecter le revêtement acrylique et les sources de chaleur peuvent augmenter la consommation électrique. La température ambiante inférieure à 50 ° F (10 ° C) ou au-dessus de 85 ° F (29,4 ° C) va entraver le bon fonctionnement de cet appareil. **Cet appareil n'a pas été conçu pour une utilisation dans un garage ou toute autre installation à l'extérieur.**
- Éviter de placer le réfrigérateur dans les zones humides.
- Branchez le réfrigérateur à une prise murale correctement installée à la terre dédiée. En aucun cas réduire ou supprimer la troisième (terre) du cordon d'alimentation. Toute question concernant l'électricité et / ou la mise à la terre doivent être adressées à un électricien certifié ou un centre de service autorisé.
- **Cet appareil n'a pas été conçu pour être installé dans un véhicule récréatif ou utilisé avec un onduleur.**
- Après avoir branché l'appareil à une prise murale, mettez l'appareil en marche et laissez l'appareil refroidir pendant 2-3 heures avant de placer les aliments dans le compartiment réfrigérateur ou congélateur.

Connexion électrique

ATTENTION

- Une mauvaise utilisation de la prise de terre peut entraîner un risque de choc électrique. Si le cordon d'alimentation est endommagé, faites-le remplacer par un centre de service autorisé.
- Ce réfrigérateur doit être correctement mis à la terre pour votre sécurité. Le cordon d'alimentation de ce réfrigérateur est équipé d'une prise à trois broches qui se branche avec une prise murale standard à trois broches afin de minimiser le risque de choc électrique.
- Ne pas, en aucun cas, couper ou enlever la troisième broche de terre du cordon d'alimentation fourni.
- Ce réfrigérateur nécessite un courant alternatif de 115/120 volts ~ / 60Hz via une prise électrique standard à trois broches et à terre.
- Ce réfrigérateur n'a pas été conçu pour être utilisé avec un onduleur.
- Le cordon doit être fixé derrière le réfrigérateur et non laissé exposé ou pendre pour prévenir des blessures accidentelles.
- Ne jamais débrancher le réfrigérateur en tirant sur le cordon d'alimentation. Toujours saisir fermement la prise et tirez tout droit.
- Ne pas utiliser une rallonge avec cet appareil. Si le cordon d'alimentation est trop court, demandez à un électricien ou technicien qualifié d'installer une prise près de l'appareil. L'utilisation d'une rallonge peut affecter négativement les performances de l'unité.

Consignes de sécurité importantes

- Lisez toutes les instructions avant d'utiliser le réfrigérateur.
- **DANGER ou AVERTISSEMENT:** Risque de piégeage des enfants.
- Pour éviter la possibilité de piégeage des enfants, veuillez prendre les précautions suivantes avant de jeter le réfrigérateur.
- Retirez toutes les portes de l'appareil.
- Laissez les étagères en place afin que les enfants ne puissent pas grimper facilement à l'intérieur.
- Ne jamais laisser les enfants utiliser, jouer avec, ou ramper à l'intérieur du réfrigérateur.
- Fluides frigorigènes: Tous les produits de réfrigération contiennent des réfrigérants qui selon les directives de la loi fédérale doivent être éliminés avant l'élimination du produit. Il est de la responsabilité du consommateur de se conformer aux réglementations fédérales et locales lors de l'élimination de ce produit.
- Ne jamais nettoyer les pièces du réfrigérateur avec des liquides inflammables. Les vapeurs peuvent créer un risque d'incendie ou d'explosion.
- Ne pas entreposer ou utiliser d'essence ou d'autres vapeurs et liquides inflammables à proximité de cet appareil ou tout autre réfrigérateur. Les vapeurs peuvent créer un risque d'incendie ou d'explosion.
- Gardez Ces instructions-

Félicitations

Félicitations pour l'achat de votre nouvel appareil Marathon !

Pour activer votre garantie, veuillez enregistrer votre appareil sur www.stirlingmarathon.com ou en remplissant et en envoyant la carte d'enregistrement de garantie. Nous sommes confiants que vous aurez des années de plaisir sans tracas et vous demandons de bien vouloir conserver le Guide d'Utilisation et d'Entretien pour référence et pour votre sécurité.

Informations de Sécurité Importantes

ATTENTION

Pour réduire les risques d'incendie, de choc électrique ou de blessure, suivre ces précautions de base lors de l'utilisation de votre appareil.

1) **ATTENTION** ---- Gardez les ouvertures de ventilation, dans l'enceinte de l'appareil ou dans la structure intégrée, sans obstacles.

2) **ATTENTION** ---- Ne pas utiliser de dispositifs mécaniques ou autres moyens pour accélérer le processus de dégivrage, autres que ceux recommandés par le fabricant.

3) **ATTENTION** ---- Faire attention lors du déplacement des appareils, il y a un risque d'endommagement du tube de réfrigérant.

4) **ATTENTION** ---- Ne pas utiliser d'appareils électriques à l'intérieur des compartiments de stockage des aliments des appareils, à moins qu'ils ne soient du type recommandé par le fabricant.

5) **ATTENTION** ---- **DANGER** : Ne jamais laisser les enfants jouer avec, d'utiliser, ou de ramper à l'intérieur du réfrigérateur. Risque d'enfermement des enfants. Avant de jeter votre vieux réfrigérateur ou congélateur :

- Enlevez toutes les portes ou couvercles
- Laissez les étagères en place afin que les enfants ne puissent pas grimper facilement à l'intérieur.

6) L'appareil doit être débranché avant que l'utilisateur n'effectue l'entretien de l'appareil.

7) Si la partie du composant est endommagée, il doit être remplacé par le fabricant, son agent de service ou toute autre personne qualifiée afin d'éviter un danger.

8) Veuillez vous débarrasser de votre réfrigérateur conformément aux réglementations locales car l'unité contient un gaz inflammable et du fluide frigorigène.

9) Suivez les réglementations locales concernant comment vous débarrasser de l'appareil, en raison du fluide frigorigène inflammable et du gaz. Tous les produits de réfrigération contiennent des réfrigérants qui selon les directives de la loi fédérale doivent être enlevés avant d'être éliminés. Il est de la responsabilité du consommateur de se conformer aux réglementations fédérales et locales lors de l'élimination de ce produit.

10) Cet appareil est destiné à être utilisé dans le ménage et des environnements similaires; tel que:

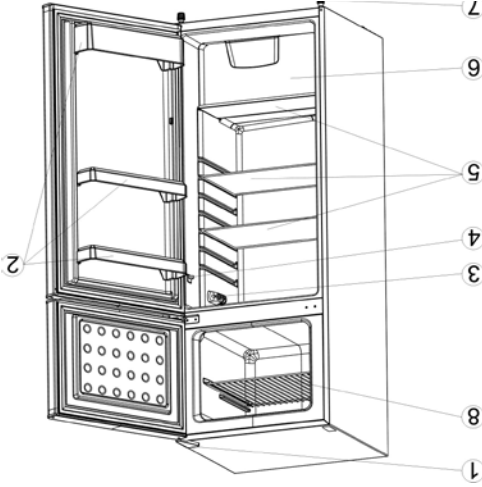
- les zones de cuisine du personnel, dans les magasins, les bureaux et autres environnements de travail ;
- les maisons de ferme et par les clients dans les hôtels, motels et autres environnements de type résidentiel ;
- les environnements de type chambres d'hôtes ;
- la restauration et les applications similaires non liées à la grande distribution.

11) Ne pas entreposer ou utiliser de l'essence ou tout autre liquide inflammables à l'intérieur ou à proximité du réfrigérateur.

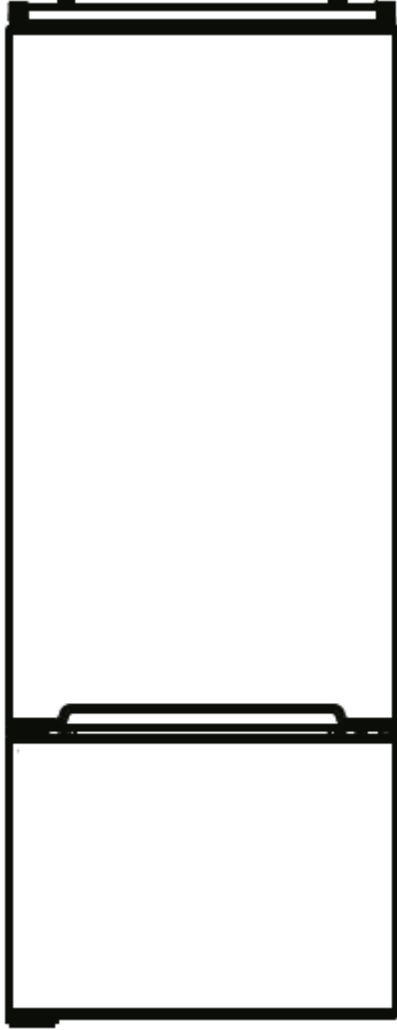
12) Ne pas utiliser une rallonge avec cet appareil. Si le cordon d'alimentation est trop court, demandez à un électricien qualifié d'installer une prise près de l'appareil. L'utilisation d'une extension peut négativement impacter la performance de l'appareil.



Description des Pièces



1. Bouton de réglage thermostat
2. Étagères Amovibles en Verre Trempe
3. Couvercle Bac à Légumes en Verre Trempe
4. Bac à Légumes Trempe
5. Pied réglable
6. Rails de porte réglables
7. Stockage Bouteilles 2L
8. Caster à Vin / Étagère pour Bouteilles en Chrome



7.2 pi³ Réfrigérateur / Congélateur Compartiment Supérieur
