

## ASSEMBLING & INSTALLATION INSTRUCTIONS

The drawing shown may not exactly match the product enclosed. However, the installation instructions do apply to this product.

- ◆ **WARNING! SHUT POWER OFF AT FUSE OR CIRCUIT BREAKER.**
- ◆ **ATTENTION! COUPER LE COURANT AU FUSIBLE OU UN DISJONCTEUR.**

### ASSEMBLING THE FIXTURE (Fig.1)

1. Shut off the power at the circuit breaker box. Remove old fixture and all hardware from Junction Box. Carefully unpack your new fixture and lay out all the parts on a clear area. Take care not to lose any small parts necessary for installation.
2. Determine the desired hanging height. Slide the electrical wires through the tube(J)/(I)/(H) and canopy(F).
3. Raise the tube(J) to the coupling of the fixture body(K), raise the tube (I), tube (H) to the screw pipe nipple in order, then by turning it clockwise until tight. Raise the canopy(F) and ground wire onto the pipe nipple of the tube(H), lock it securely with the lock washer and hex nut.
4. End of pipe nipple(C) into single bar (D), place lock washer (B) over end of nipple protruding through single bar and lock it securely with the hex nut (A). Take this single bar assembly to junction box with junction box screws (E), tighten screws securely with screwdriver. The side of the single bar marked "GND" must face to out. **The junction box is not included.**
5. While holding the fixture body towards the ceiling, connect the electrical wires as Shown in Fig.2, making sure that all wire nuts are secured. You may have to wrap the connections with electrical tape. If your outlet has a ground wire (green or bare copper), connect the fixture ground wire to it. Otherwise connect fixture's ground wire directly to the Single bar with the green screw provided. After wires are connected, tuck them carefully inside the Junction Box.
6. Raise the fixture body on to the Junction box, aligning pipe thread on single bar with mounting hole in canopy and lock it securely with the finial (G).
7. Install the light bulbs(not included) in accordance with the fixture specifications  
**NOTE: DO NOT EXCEED THE SPECIFIED WATTAGE!**

**Your installation is now complete. Return power to the junction box and test the fixture.**

FIG.1

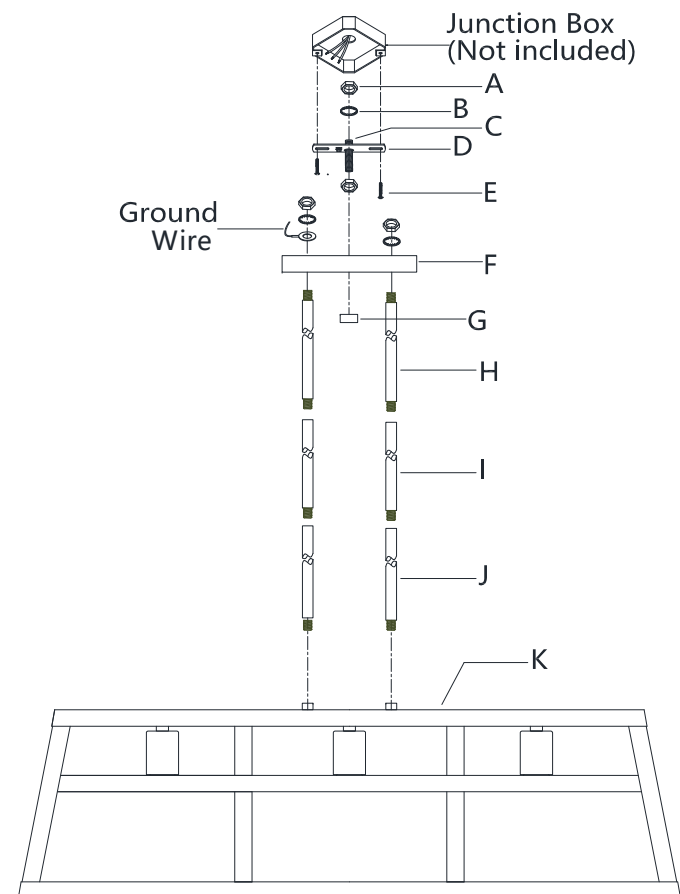


FIG.2

