






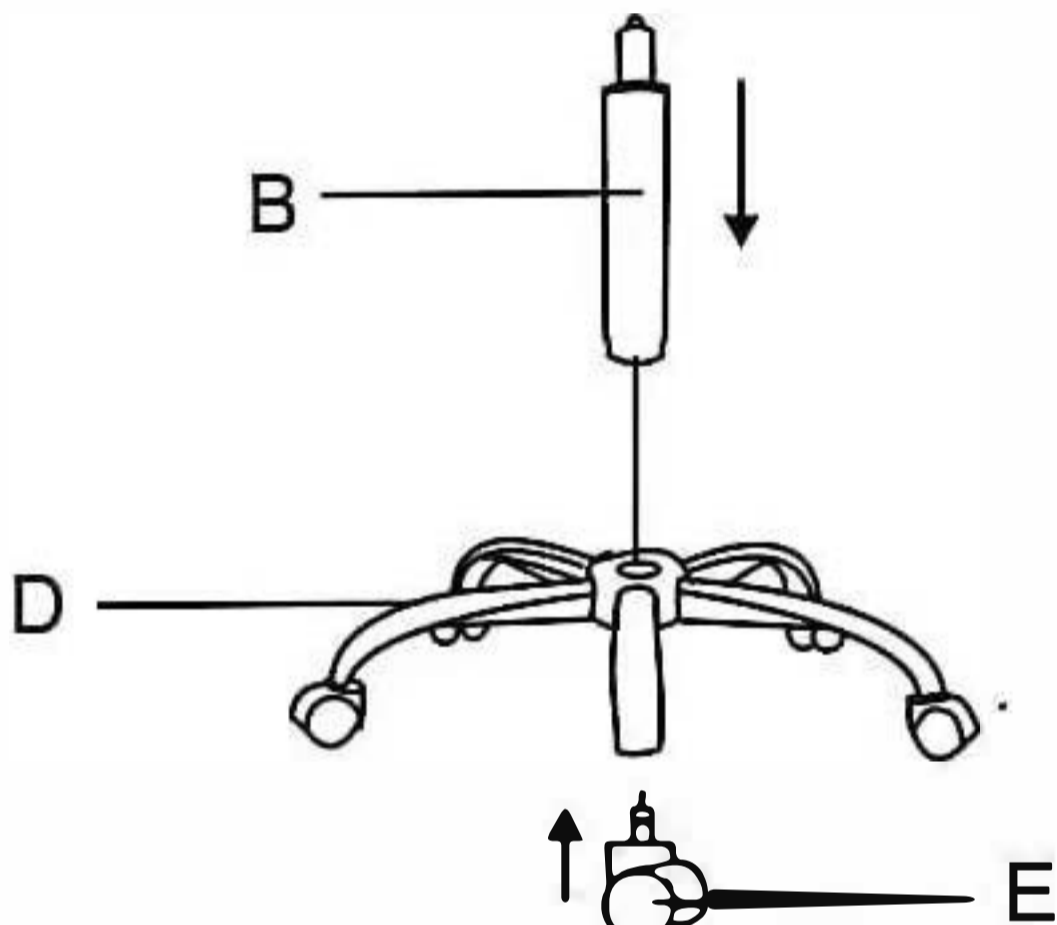
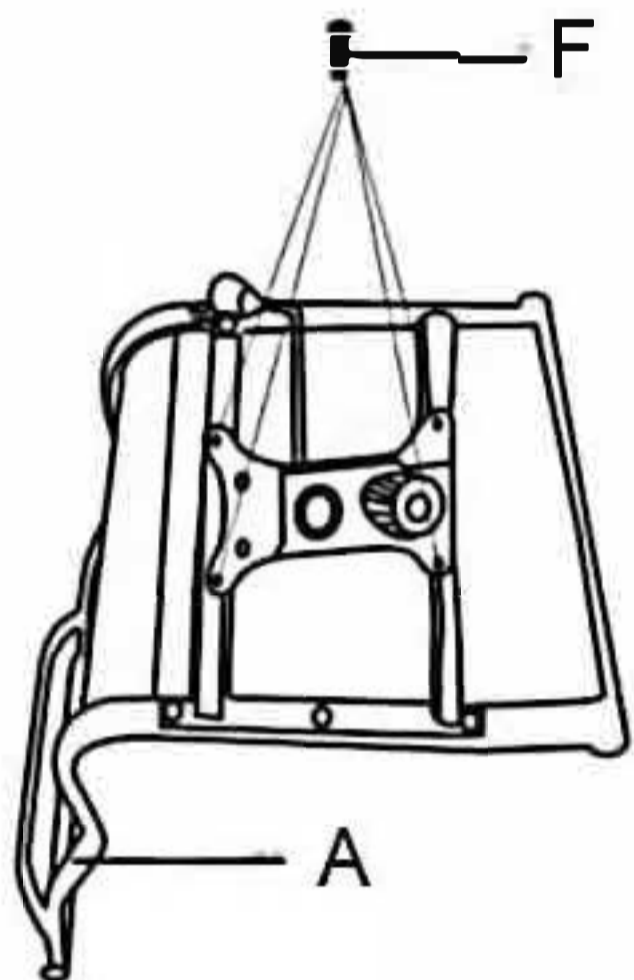
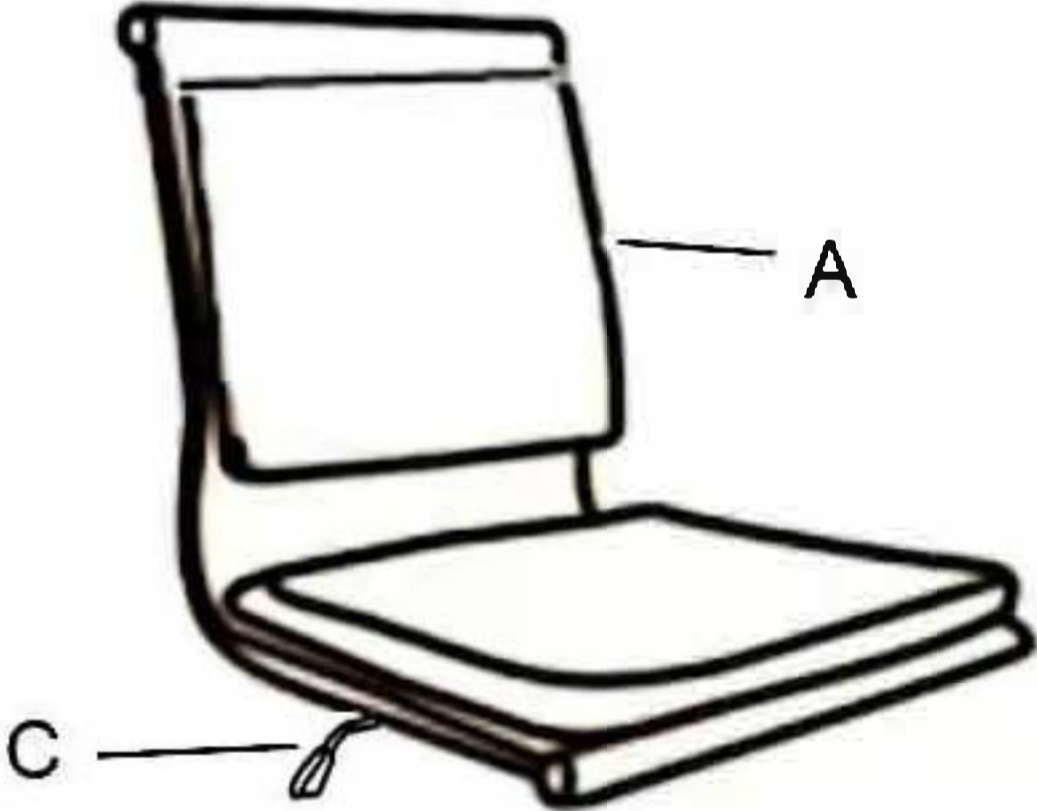
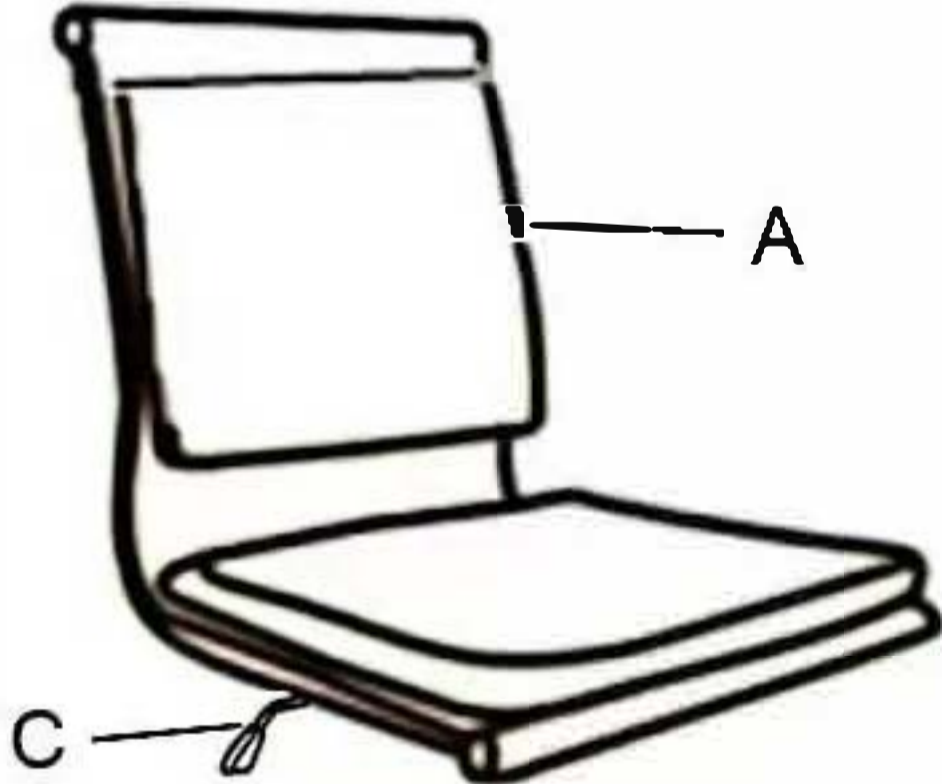
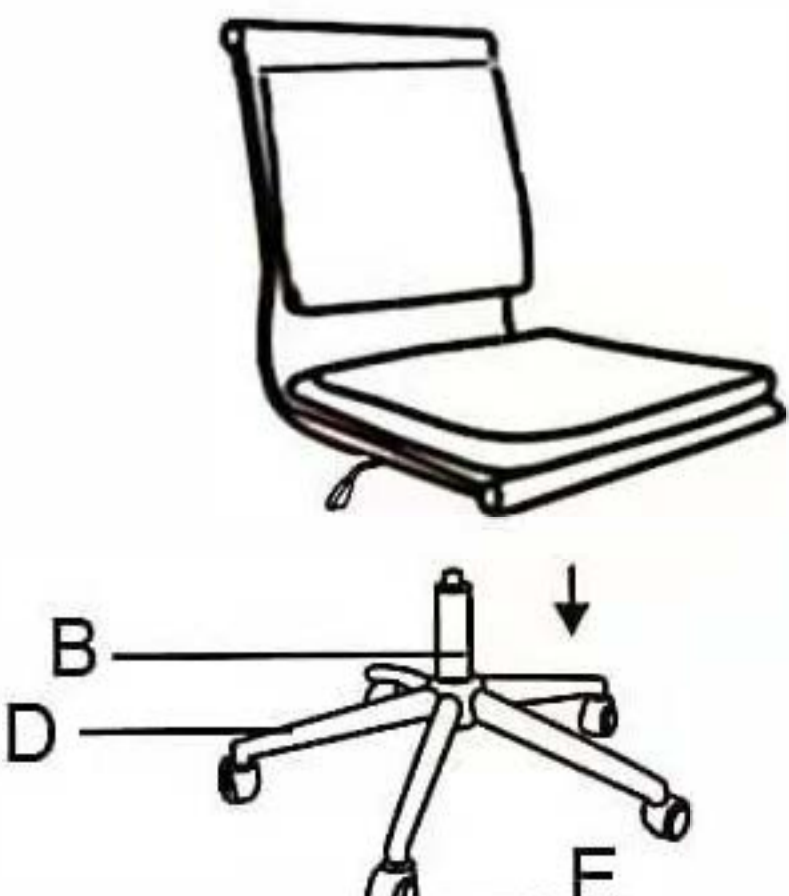


# ASSEMBLY INSTRUCTION

## ▽ PARTS\*QTY

	A x1 	B x1 	C x1 	D x1 
E x5 	F (20mm) x4 	G x1 		

## ▽ ASSEMBLY PROGRAM

<p><b>STEP 1</b></p> 	<p><b>STEP 2</b></p> 
<p><b>STEP 3</b></p> 	<p><b>STEP 4</b></p> 
<p><b>STEP 5</b></p> 	<p><b>FINISH</b></p> 