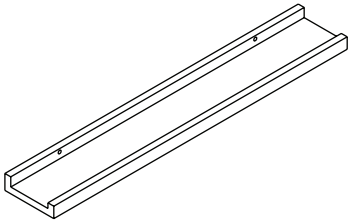
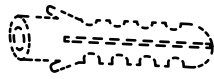


Ax1

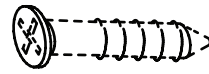


Bx2

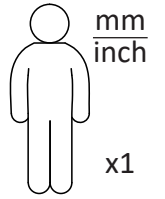
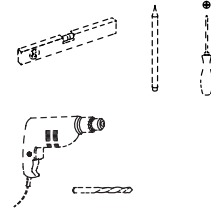


$\phi 6 \times \frac{36}{1.4}$

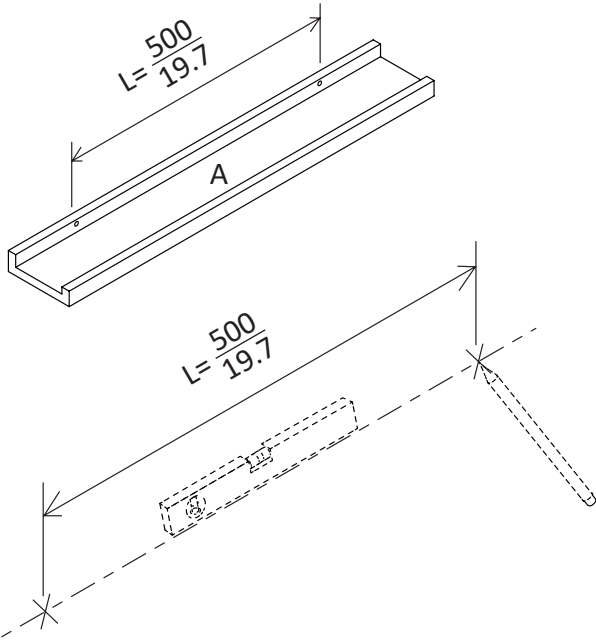
Cx2



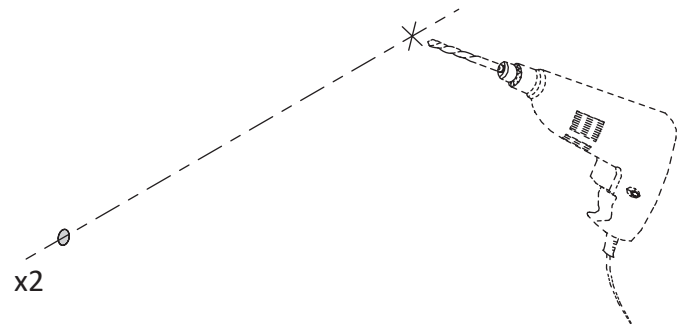
$\phi 4 \times \frac{45}{1.8}$



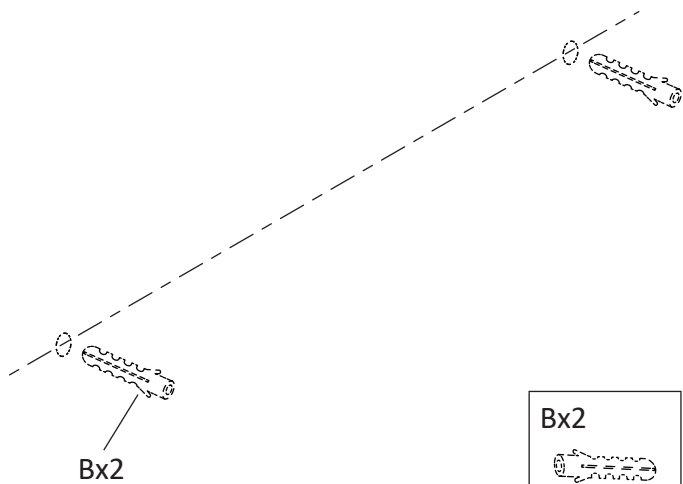
1



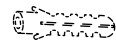
2



3

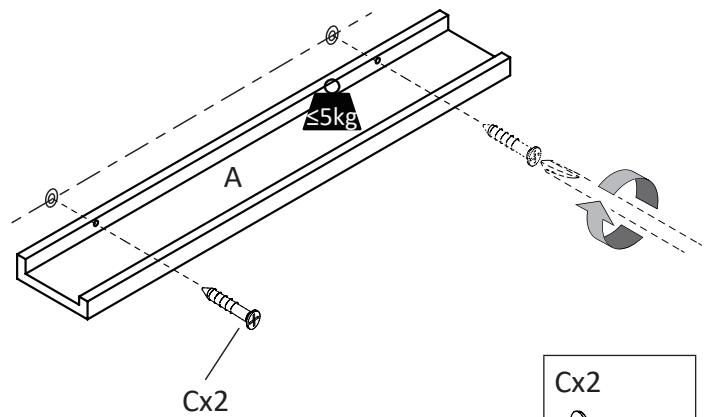


Bx2



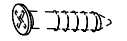
$\phi 6 \times \frac{36}{1.4}$

4



Cx2

Cx2



$\phi 4 \times \frac{45}{1.8}$