

# Instruction Manual

## Round Folding Table 130cm



# CONTENTS

---

Safety and care advice	<b>1</b>
Components	<b>2</b>
Assembly instructions	<b>4</b>

# ⚠ SAFETY AND CARE ADVICE ⚠

---

## PLEASE READ THESE INSTRUCTIONS CAREFULLY AND KEEP FOR FUTURE REFERENCE

- **Warning:** Please lift with care.
- Check you have all the components and tools listed on pages 2 and 3.
- Remove all fittings from the plastic bags and separate them into their groups.
- Keep children and animals away from the work area, small parts could choke if swallowed.
- Make sure you have enough space to lay out the parts before starting.
- Do not stand or put weight on the product, this could cause damage.
- Assemble the item as close to its final position (in the same room) as possible.
- Assemble on a soft level surface to avoid damaging the unit or your floor (use opened out unit carton).



- We do not recommend the use of power drill/drivers **for inserting screws**, as this could damage the unit. Only use hand screwdrivers.
- Dispose of all packaging carefully and responsibly.

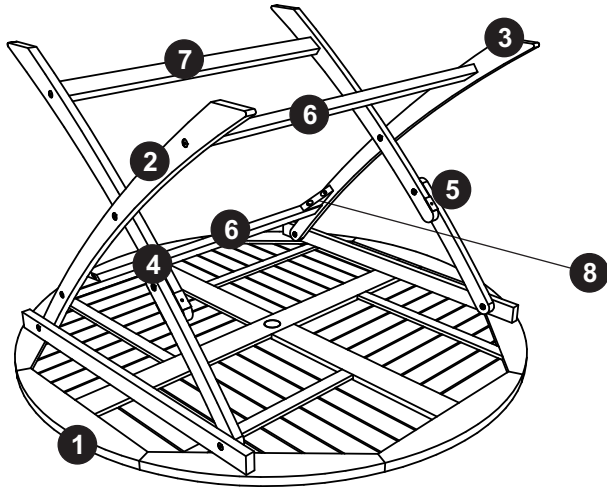
## CARE AND MAINTENANCE

---

- Only clean using a damp cloth and mild detergent, do not use bleach or abrasive cleaners.
  - From time to time check that there are no loose screws on this unit.
  - This product should not be discarded with household waste. Take to your local authority waste disposal center.
- Note** *If required the next page can be cut out and used as reference throughout the assembly. Keep this page with these instructions for future reference.*

# COMPONENTS

Please check you have all the panels listed below:



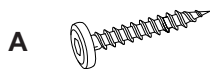
1. Tabletop	x 1	6. long bar	x 2
2. Leg 1	x 1	7. short bar	x 1
3. Leg 2	x 1	8. support legs	x 2
4. Leg 3	x 1		
5. Leg 4	x 1		



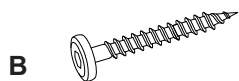
# COMPONENTS

---

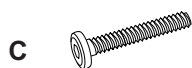
Please check you have all the fittings listed below:



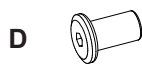
Screw ( $\Phi 6 \times 35 \text{mm}$ ) x 4



Screw ( $\Phi 7 \times 60 \text{mm}$ ) x 6



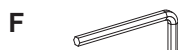
Bolt ( $\Phi 8 \times 35 \text{mm}$ ) x 6



Caps ( $\Phi 8 \times 15 \text{mm}$ ) x 6



Washers ( $\Phi 8 / 18 \times 2 \text{mm}$ ) x 6



Allen key x 2





Parasole Cap

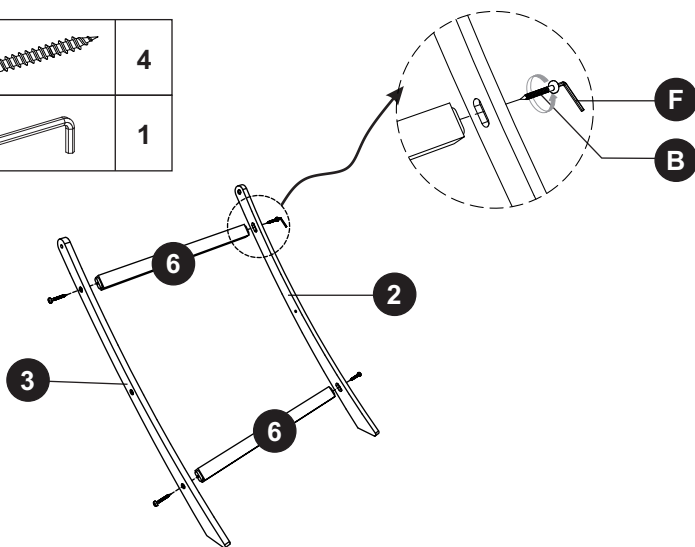


# ASSEMBLY INSTRUCTIONS



---

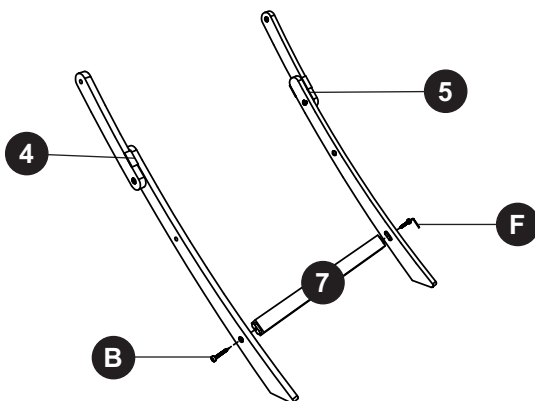
## Step 1

<b>B</b>		<b>4</b>
<b>F</b>		<b>1</b>



## Step 2

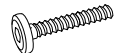
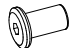


<b>B</b>		<b>2</b>
<b>F</b>		<b>1</b>

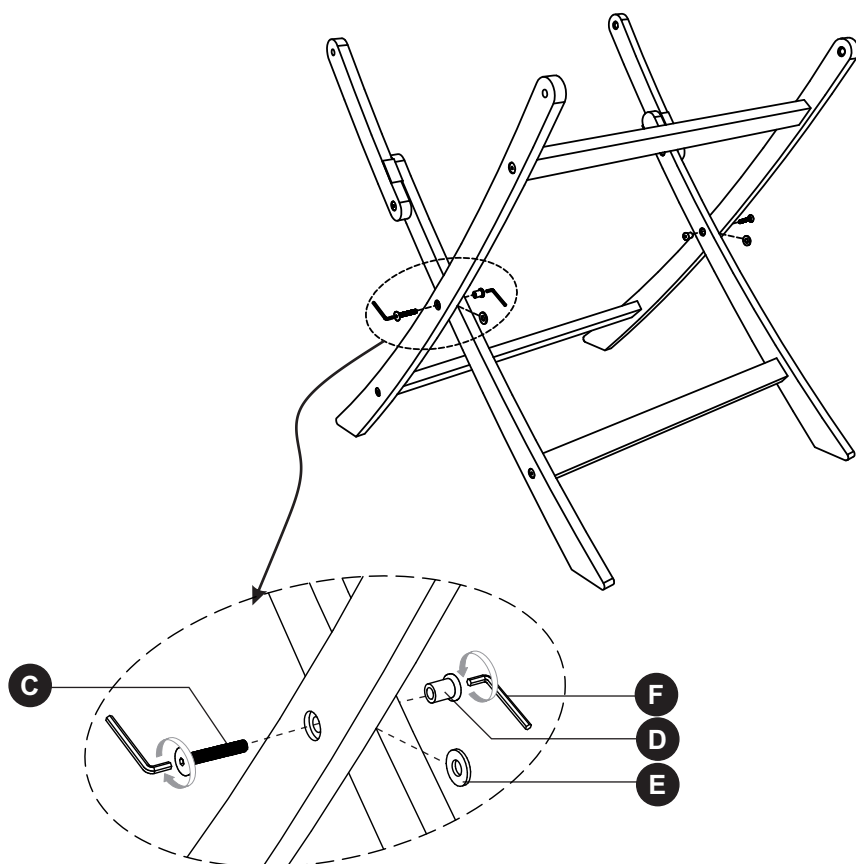


# ASSEMBLY INSTRUCTIONS

---

## Step 3

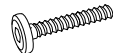
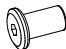


C		2
D		2
E		2
F		2

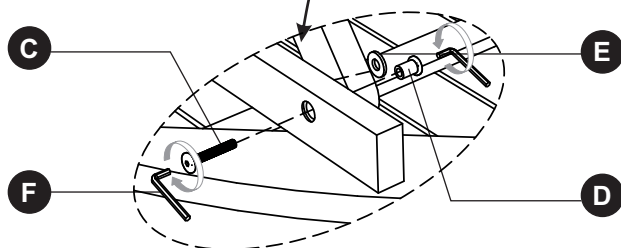
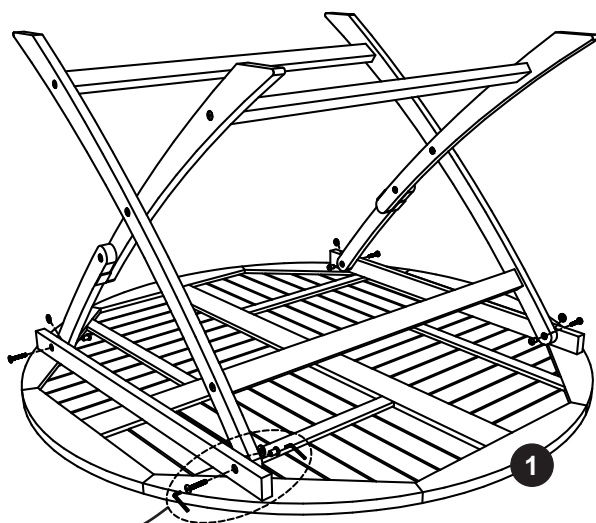


# ASSEMBLY INSTRUCTIONS

---

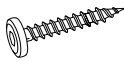


## Step 4

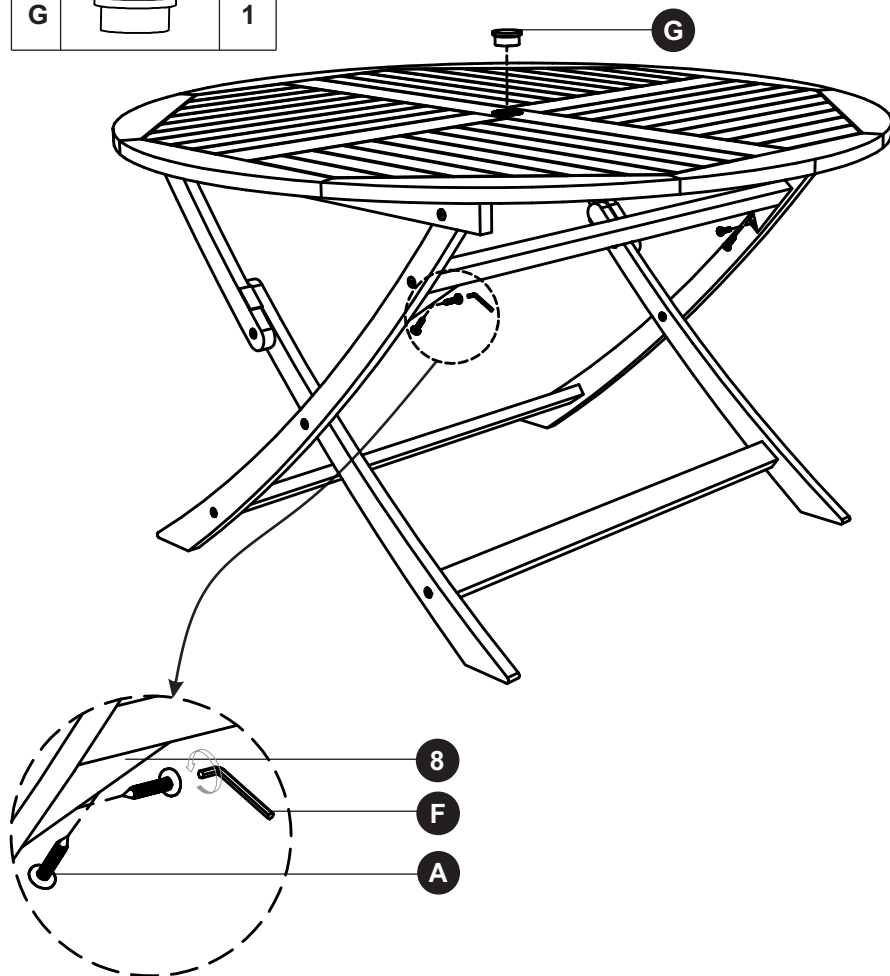
C		4
D		4
E		4
F		2



# ASSEMBLY INSTRUCTIONS

## Step 5

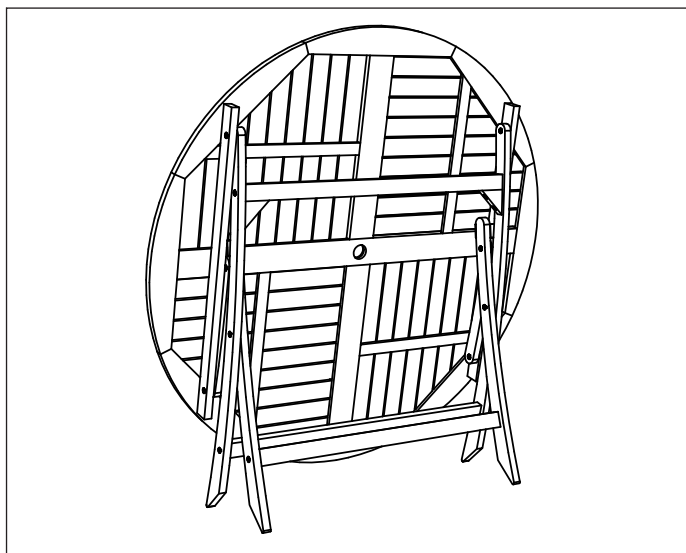
A		4
F		1
G		1



# ASSEMBLY INSTRUCTIONS

---

## Step 6



Congratulations! Now you have finished assembling the product.