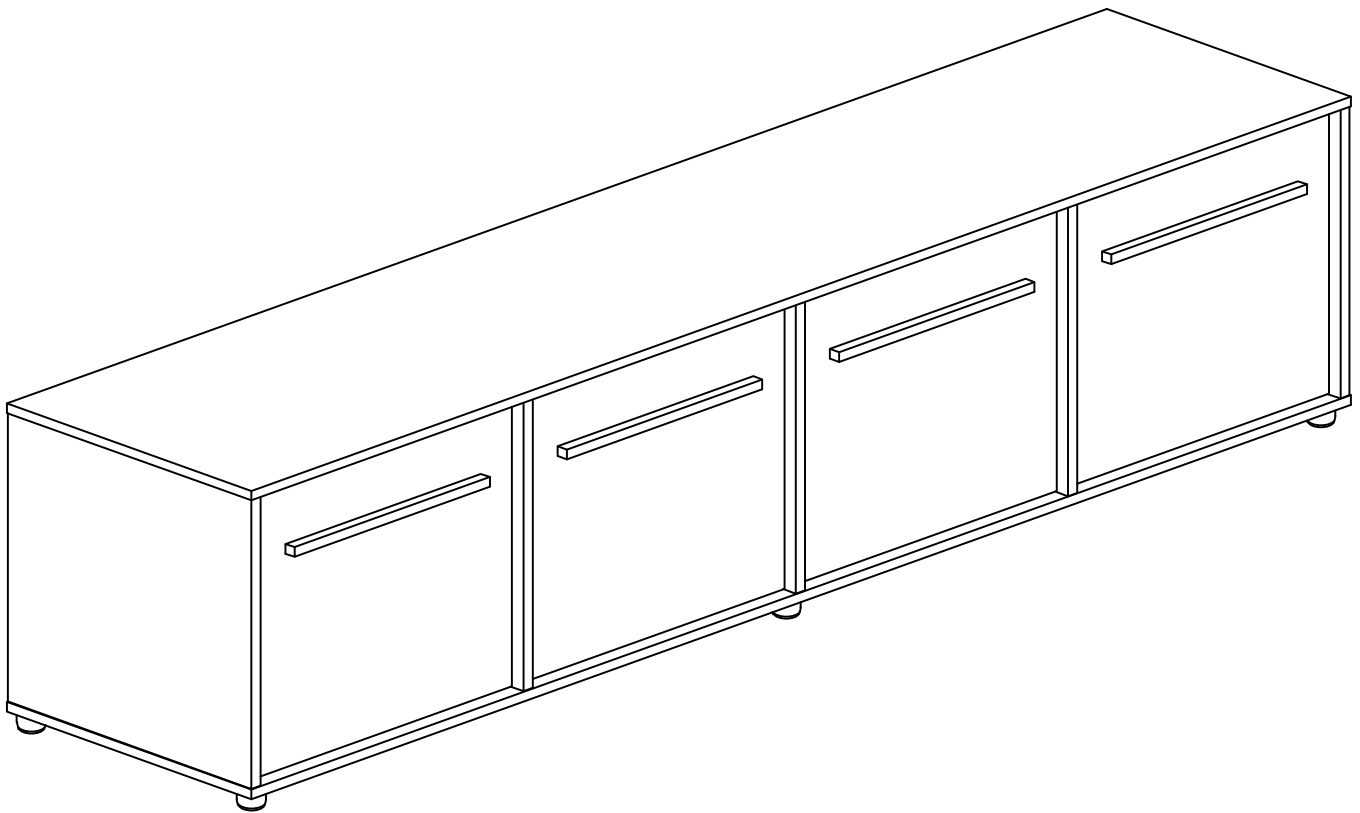


ASSEMBLY INSTRUCTIONS

TV Stand and Console



90 min. assembly

2 person

*The estimated assembly time may vary depending on the individual.

Hey, there

Now is assembly time!

Deeeeeeep breathe.... and again....
Tools ready,
Easy peasy!

Estimated



90 min. assembly
2 person

Tools Required

- Phillips screwdriver (not included)
- Power Drill (not included)
- Hammer (not included)

important: Cautious when you use power tools

Thank you for purchasing this product. This product has been manufactured with the highest standards of safety and quality.

PLEASE READ ALL INSTRUCTIONS CAREFULLY BEFORE ASSEMBLY.

Unpack all parts from the packaging inside the carton to ensure there are no missing or damaged parts. Lay out all the parts on a clean, flat, and soft surface to prevent scratches. Refer to the steps provided as assembling guide.

Do not attempt to assemble or use the product if any parts are missing or damaged.

REMINDERS

SAFE USAGE IS KEY

Your well-being is our top priority when you use our product. Please prioritize your safety by diligently following the assembly guidelines and inspecting the product carefully both when it arrives and before each use.

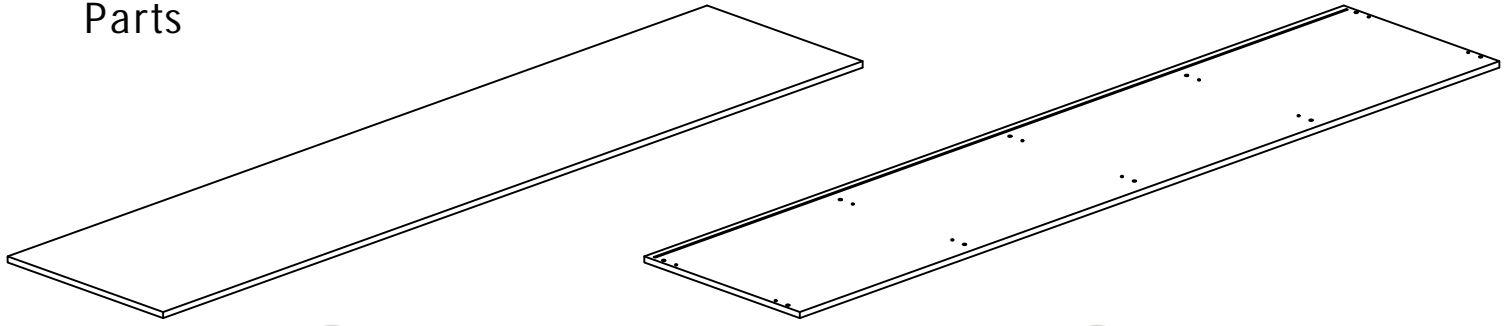
Please be aware that we cannot be held liable for any injuries or fatalities that occur due to not adhering to the provided instructions or misuse of the product.

DO NOT MODIFY

Our products undergo rigorous testing to ensure they meet established safety standards before being released for sale. Altering the product in any way can lead to serious safety concerns, for which we cannot assume responsibility.

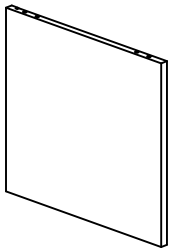
What's in the box

Parts

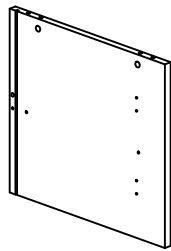


1 X 1
Top Panel

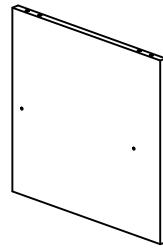
2 X 1
Bottom Panel



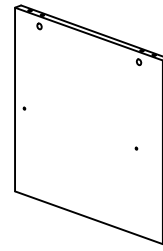
3 X 1
Side Panel-Left



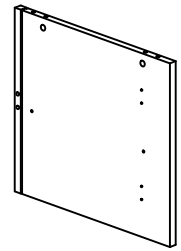
4 X 1
Side Panel-Right



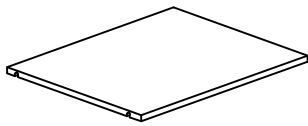
5 X 1
Stand Panel-Left



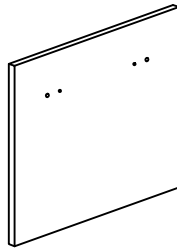
6 X 1
Stand Panel-Right



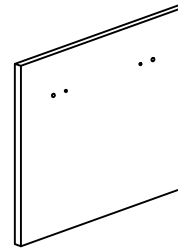
7 X 1
Stand Panel-Middle



8 X 4
Adjustable Panel



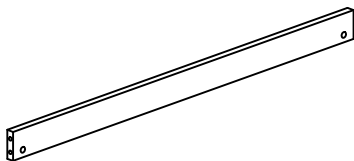
9 X 2
Door-Right



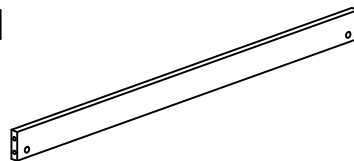
10 X 2
Door-Left



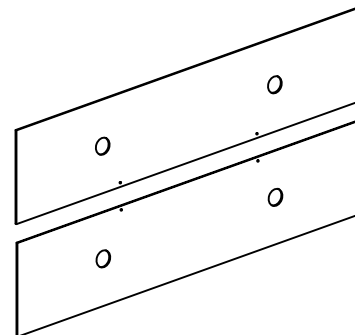
11 X 4
Door Handle



12 X 1
Strengthening-Right



13 X 1
Strengthening-Left



14 X 4
Back Panel

What's in the box

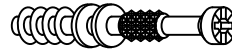
Hardware & Accessory



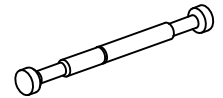
A X 8+1
M8 x 20mm
Wood Dowel



B X 24+4
M8 x 25mm
Wood Dowel



C X 12+2
33 mm Myfix



D X 1
63mm Myfix



E X 14+2
Minifix



F X 8+1
M3.5 x 12mm
Screw



G X 64+4
M3.5 x 16mm
Screw



H X 8+1
M4 x 28mm
Screw



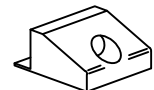
I X 8+1
M4 x 32mm
Screw



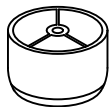
J X 10+2
M4 x 45mm
Screw



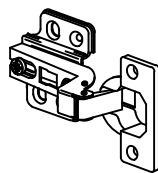
K X 16+3
Shelf Support



L X 16+3
Pyramid Angle
Corner Block

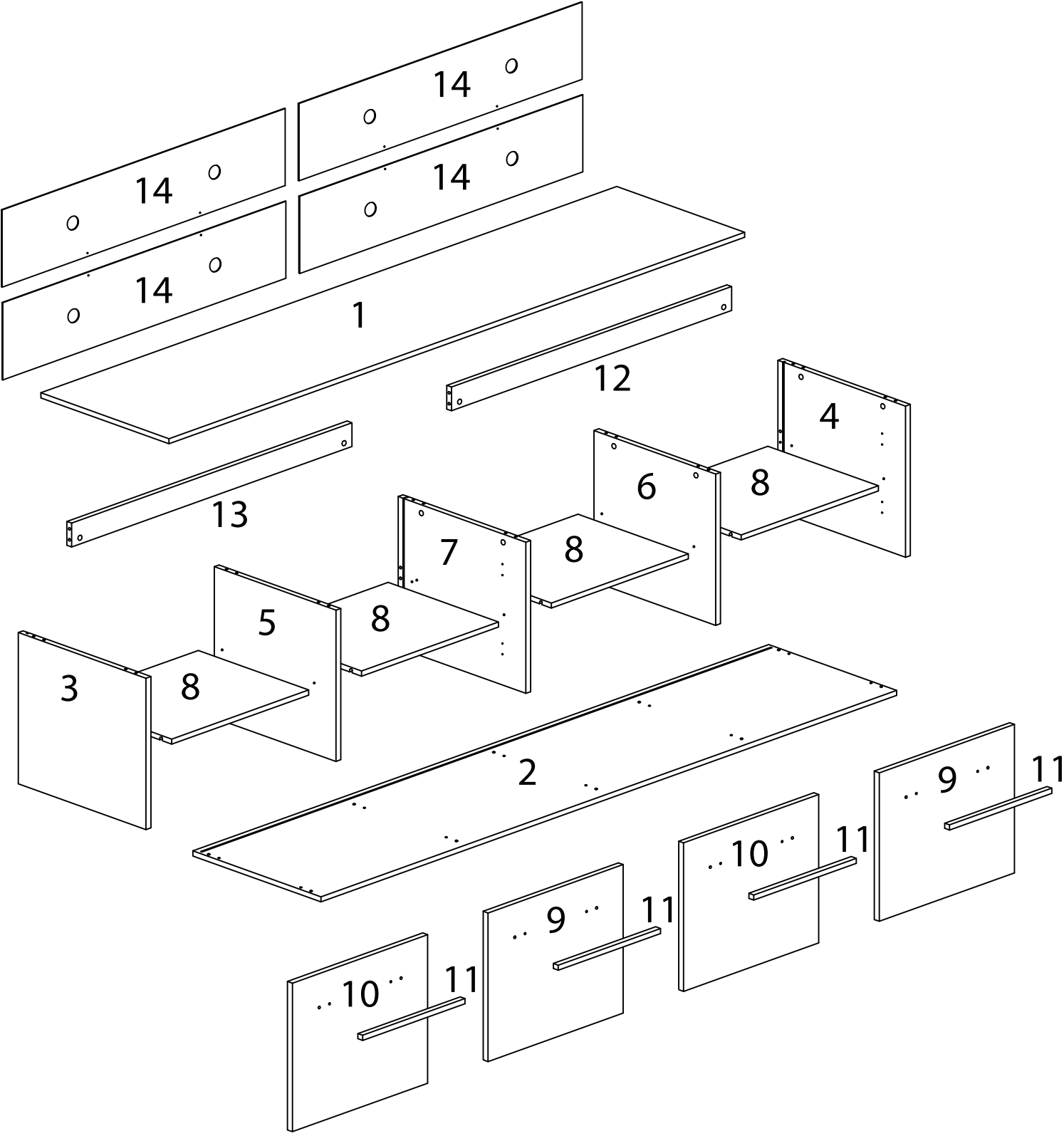


M X 8
25/25 Sofa Leg



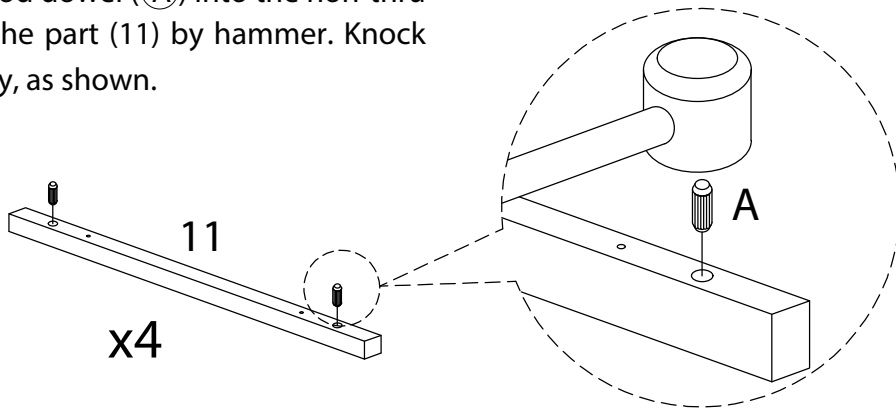
N X 8
Hinges 7/8

Assembly



Step 1

Insert Wood dowel (A) into the non-thru holes of the part (11) by hammer. Knock it in gently, as shown.



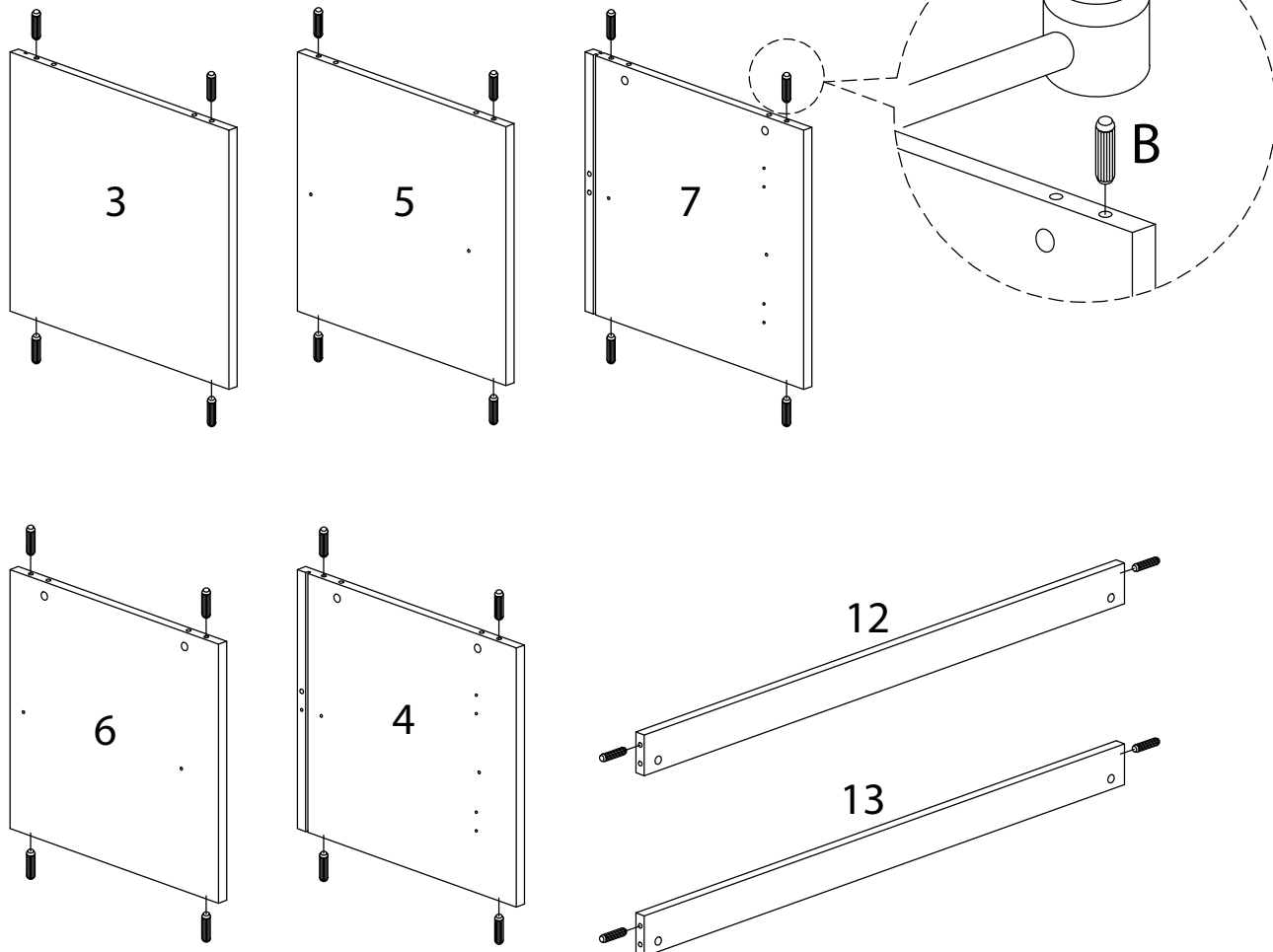
(A) x 8



M8x20mm
Wood Dowel

Step 2

Insert Wood dowel (B) into the non-thru onto the non-thru holes of the panel (3, 4, 5, 6, 7, 12 & 13) by hammer. Knock it in gently, as shown.



(B) x 24

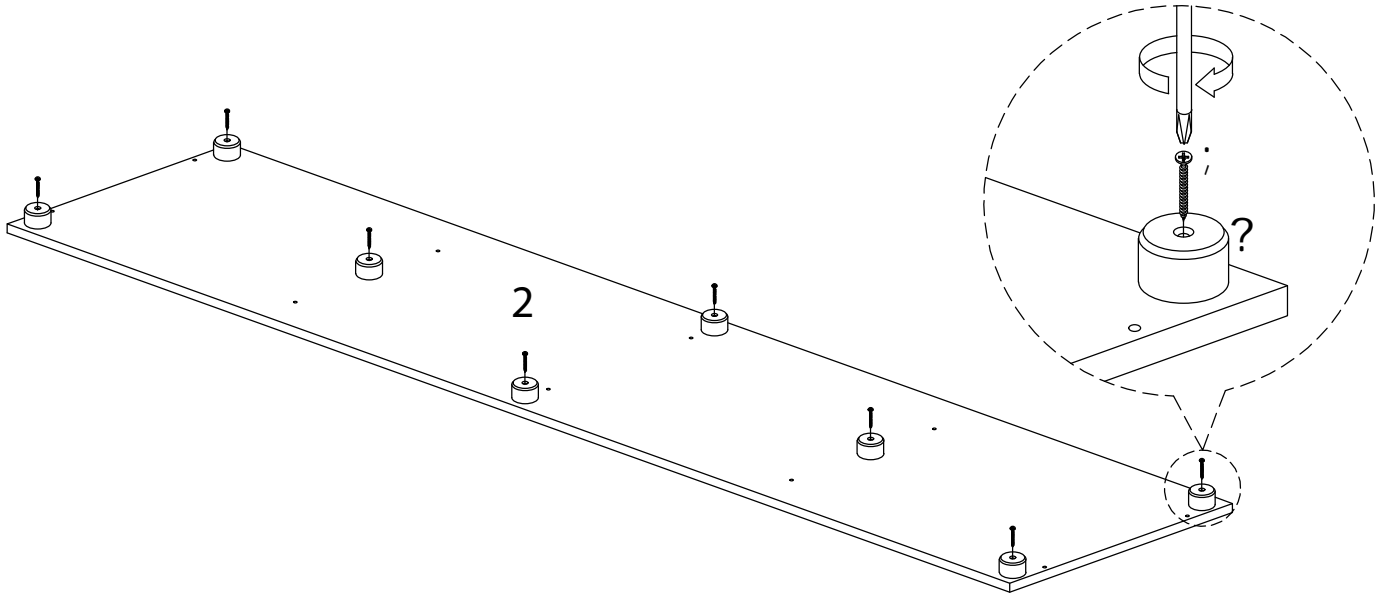


M8x25mm
Wood Dowel

Step 3

Install leg (M) onto the base of panel (2) by using screw (I).
Fully tighten with screw driver. (As shown).

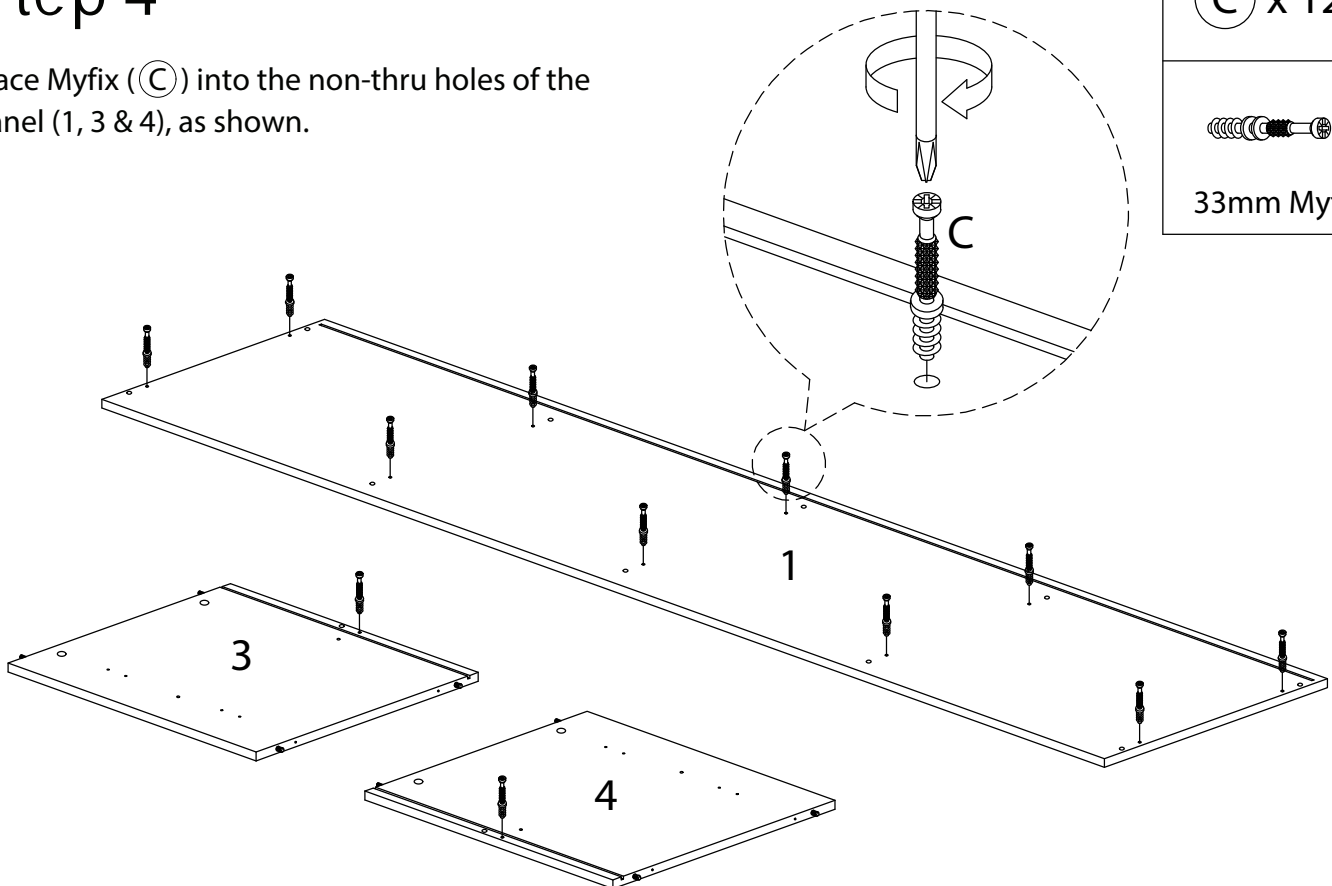
x 8	x 8
 M4x32mm Screw	 25/25 Sofa Leg



Step 4



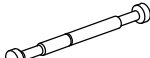

Place Myfix (C) into the non-thru holes of the panel (1, 3 & 4), as shown.

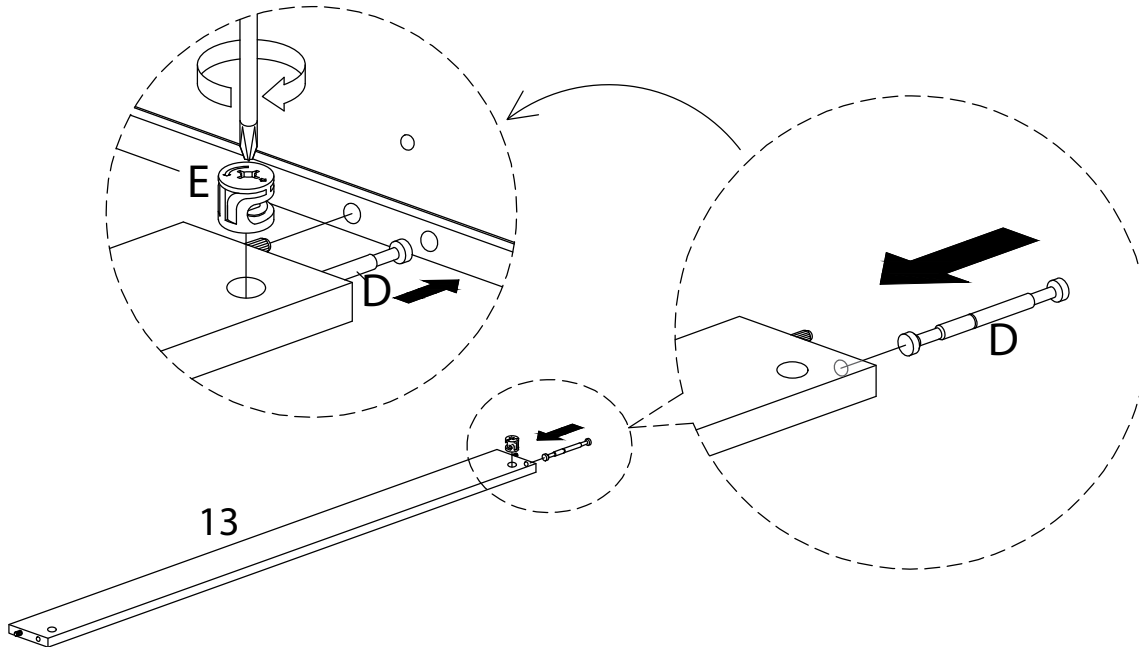
x 12
 33mm Myfix



Step 5



Insert myfix ((D)) onto the holes of panel (13).
Insert the hardware ((E)) with the arrow mark facing upwards and tighten it clockwise. (As shown).

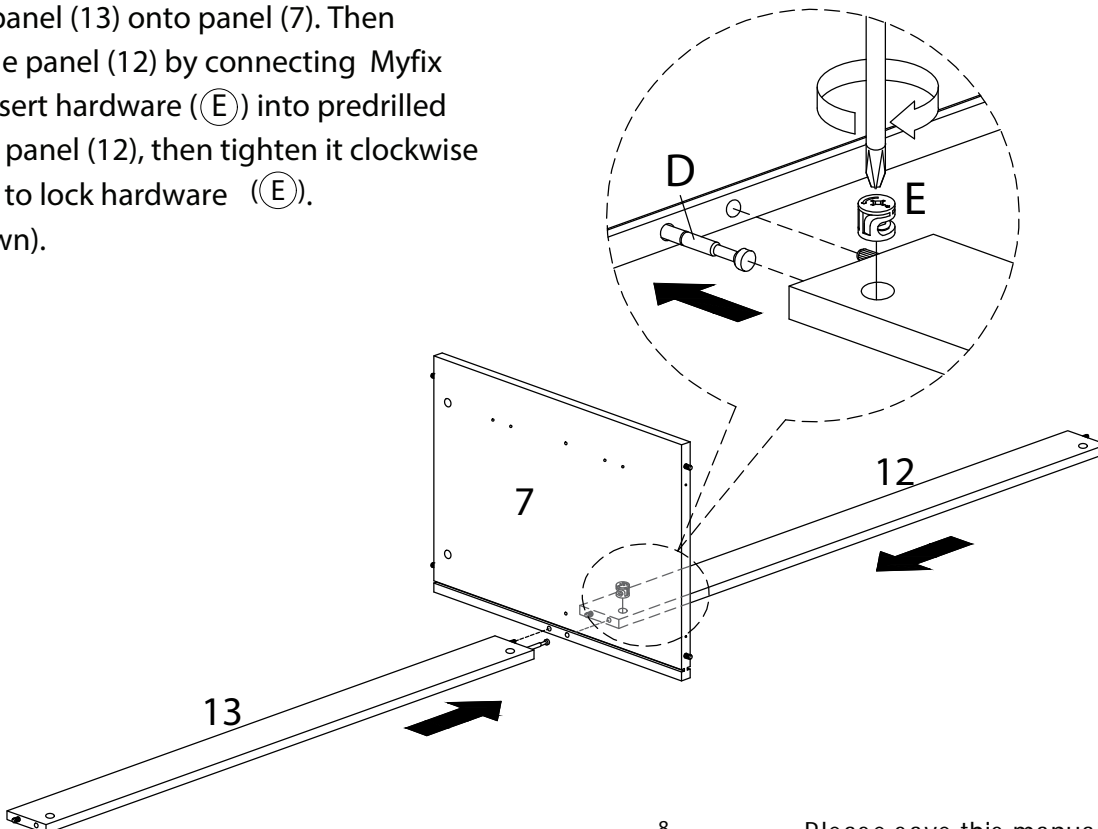
 (D) x 1	 (E) x 1
 63mm Myfix	 Minifix



Step 6

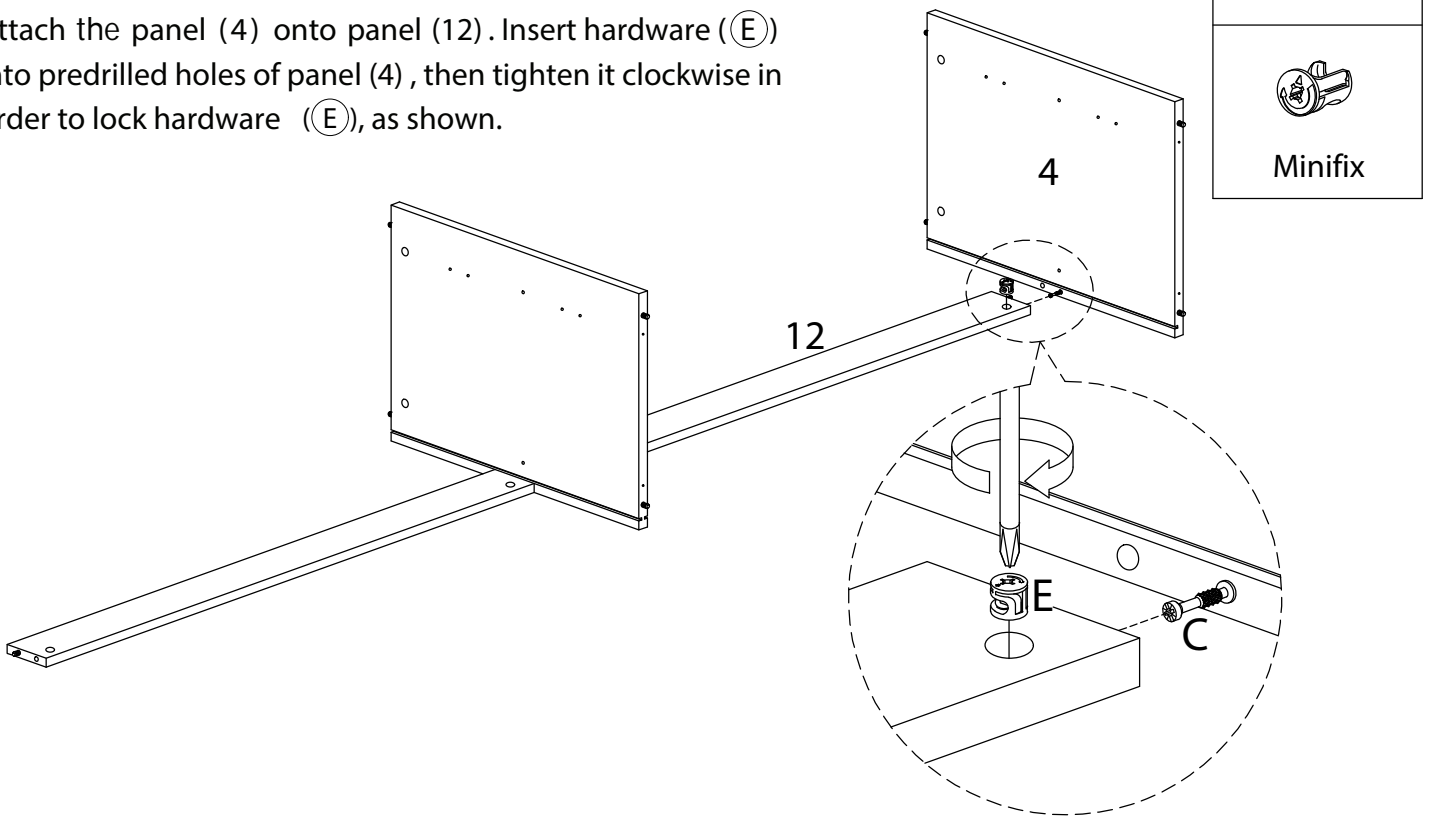
Attach panel (13) onto panel (7). Then assemble panel (12) by connecting Myfix ((D)). Insert hardware ((E)) into predrilled holes of panel (12), then tighten it clockwise in order to lock hardware ((E)). (As shown).

 (E) x 1
 Minifix



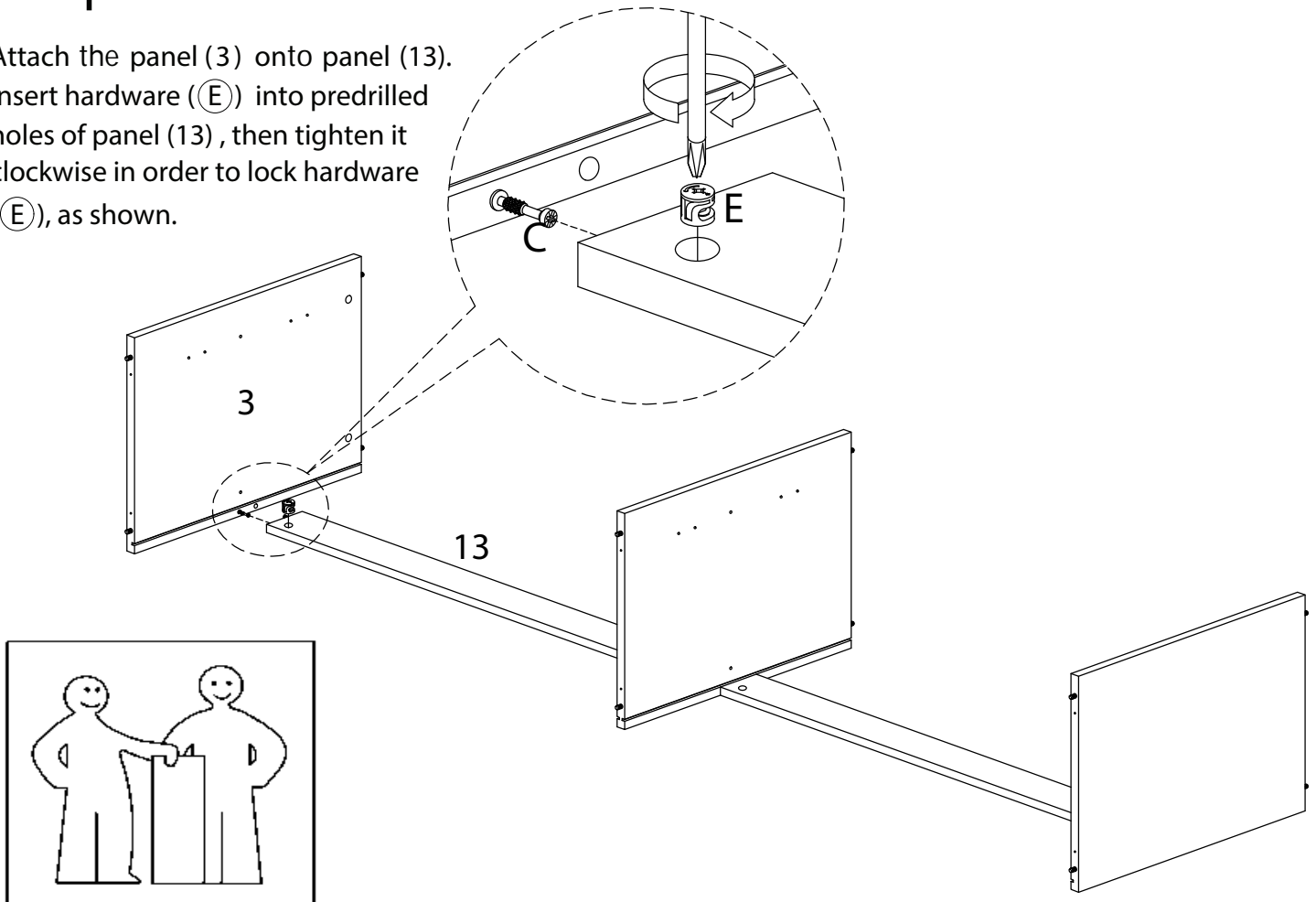
Step 7

Attach the panel (4) onto panel (12). Insert hardware (E) into predrilled holes of panel (4), then tighten it clockwise in order to lock hardware (E), as shown.



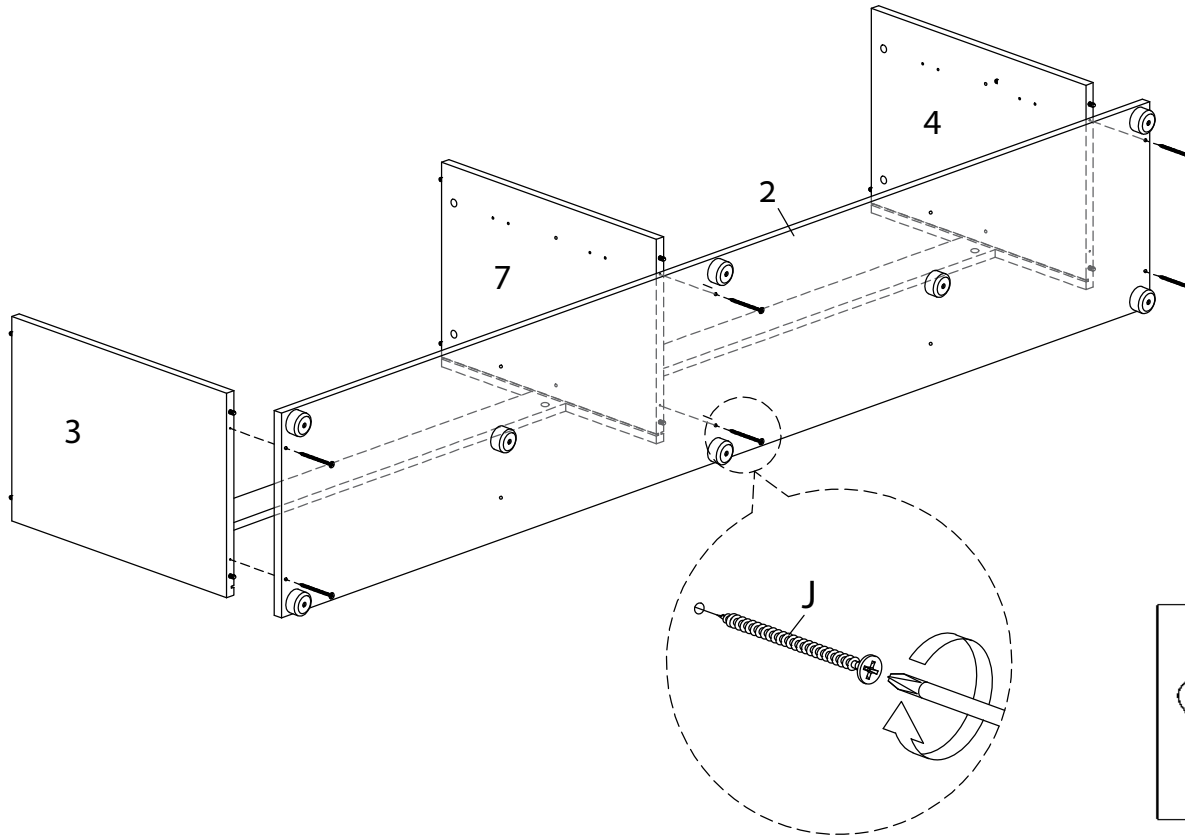
Step 8

Attach the panel (3) onto panel (13). Insert hardware (E) into predrilled holes of panel (13), then tighten it clockwise in order to lock hardware (E), as shown.



Step 9

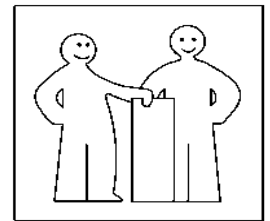
Assemble panel (3, 4 & 7) onto panel (2) by using screw (J) to fix them. Fully tighten with screw driver. (As shown).



J x 6

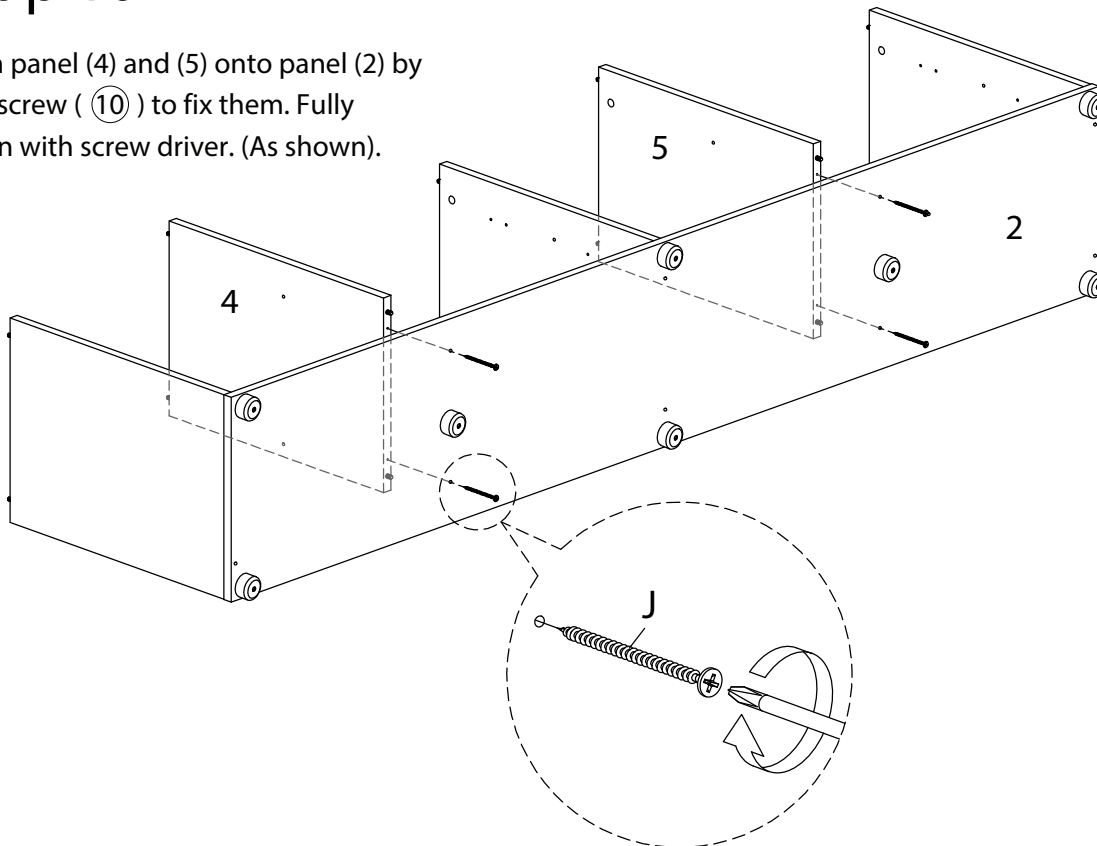


M4x45mm
Screw



Step 10

Attach panel (4) and (5) onto panel (2) by using screw (J) to fix them. Fully tighten with screw driver. (As shown).



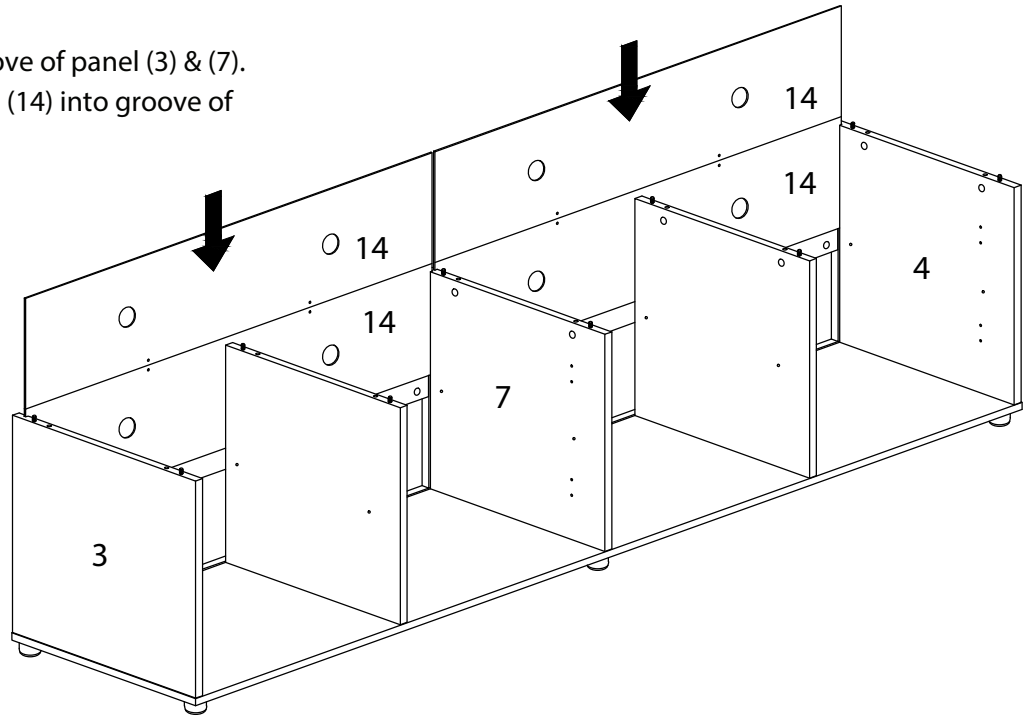
J x 4



M4x45mm
Screw

Step 11

Slot in 2pcs panel (14) into groove of panel (3) & (7).
Then slot in another 2pcs panel (14) into groove of
panel (4) & (7).



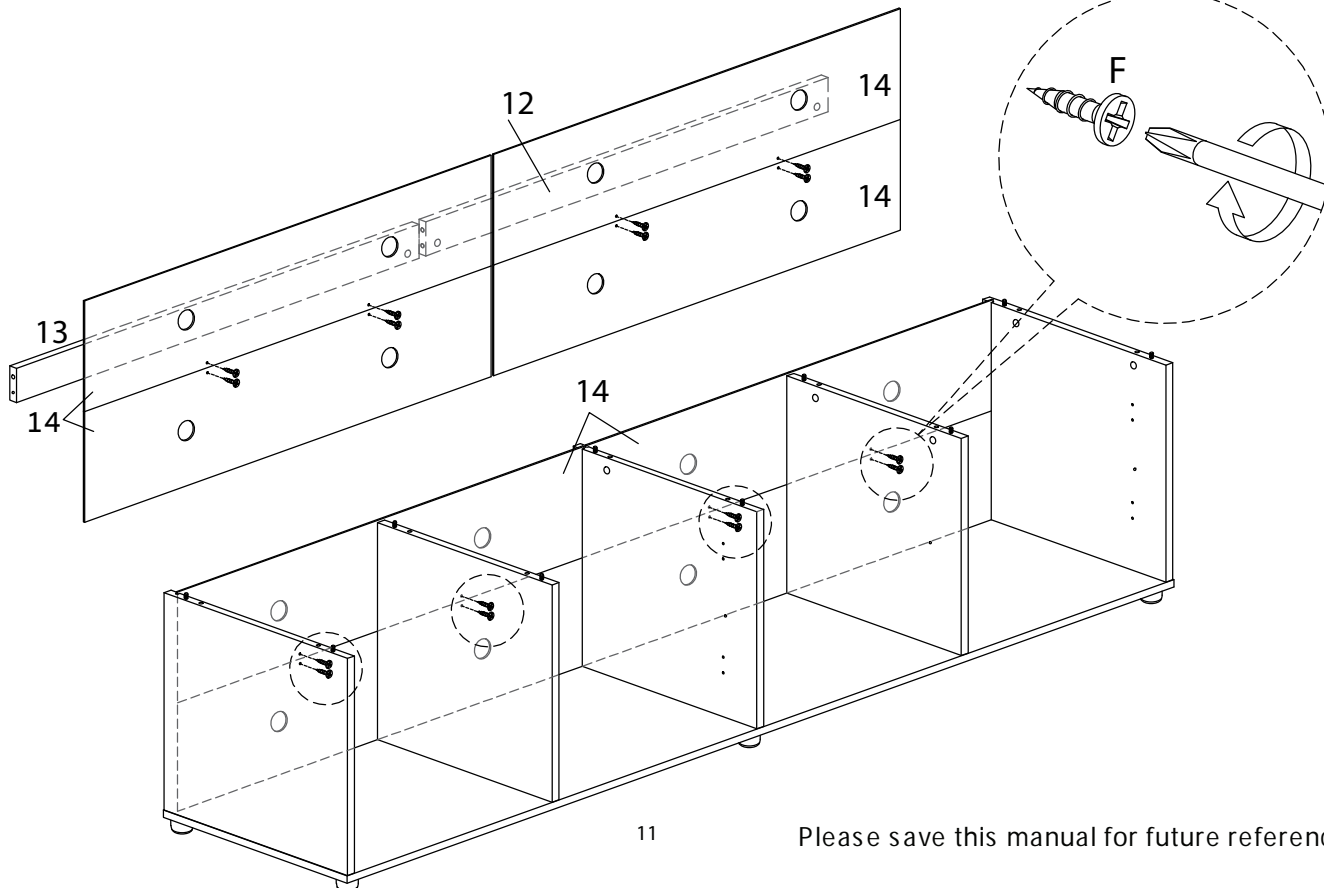
Step 12

Fasten screw (F) between panel (14, 12 & 13), as shown.

(F) x 8

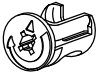


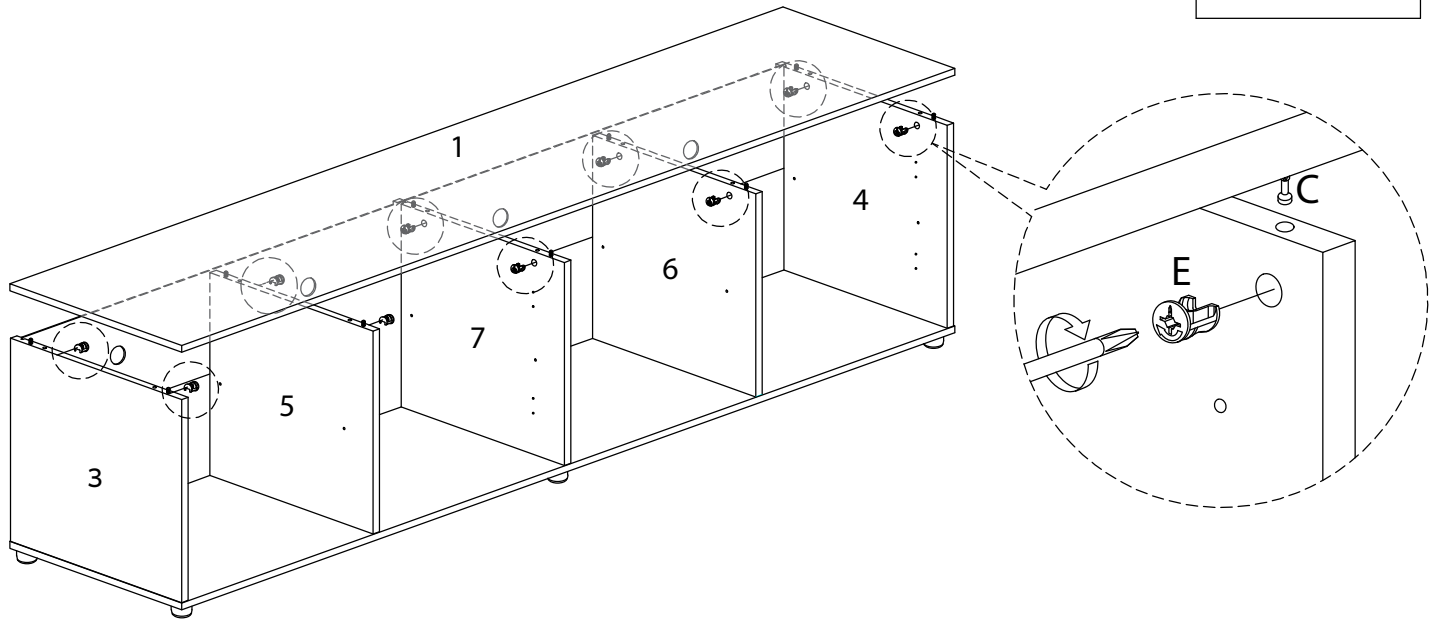
M3.5x12mm
Screw



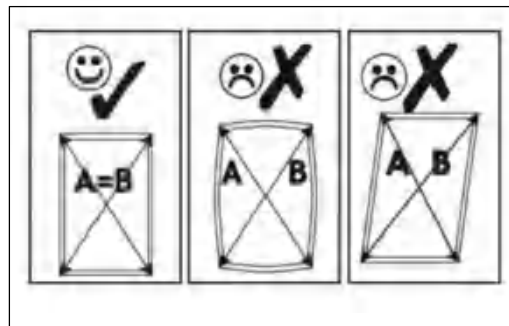
Step 13


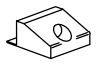
Attach panel (1) onto panel (3, 4, 5, 6 & 7). Insert hardware (E) into predrilled holes of panel (3, 4, 5, 6 & 7), then tighten them clockwise in order to lock hardware (E), as shown.

(E) x 10

Minifix

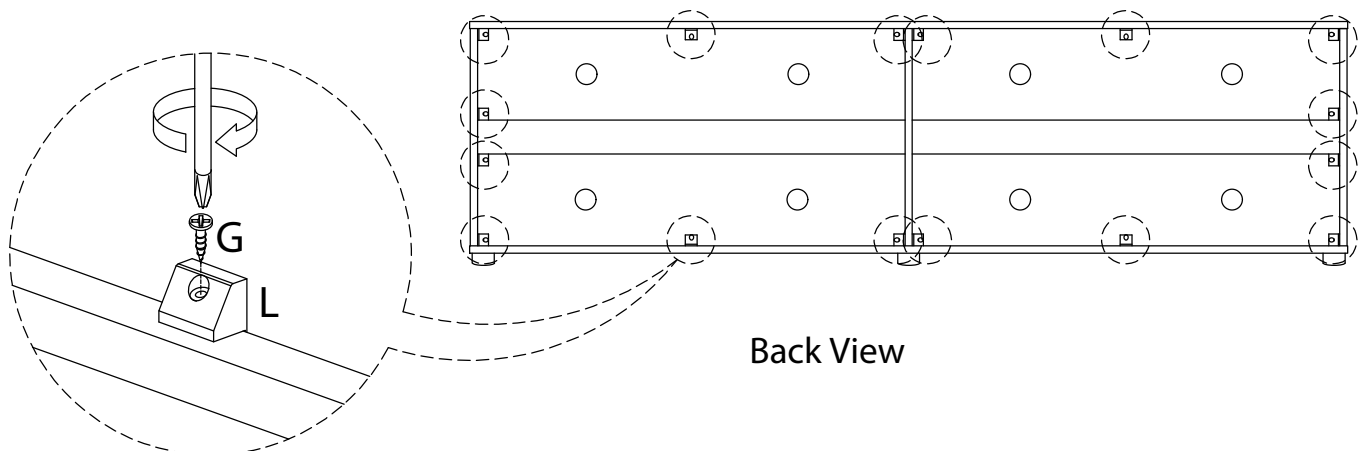


Step 14



(G) x 16	(L) x 16
	
M3.5x16mm Screw	Pyramid Angle Corner Block

ATTENTION PLEASE :Please ensure the structure is straight and level and all panels are at right angles before installing the back buckles, **MUST** install back buckles to strengthen product stability.

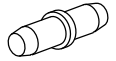


Back View

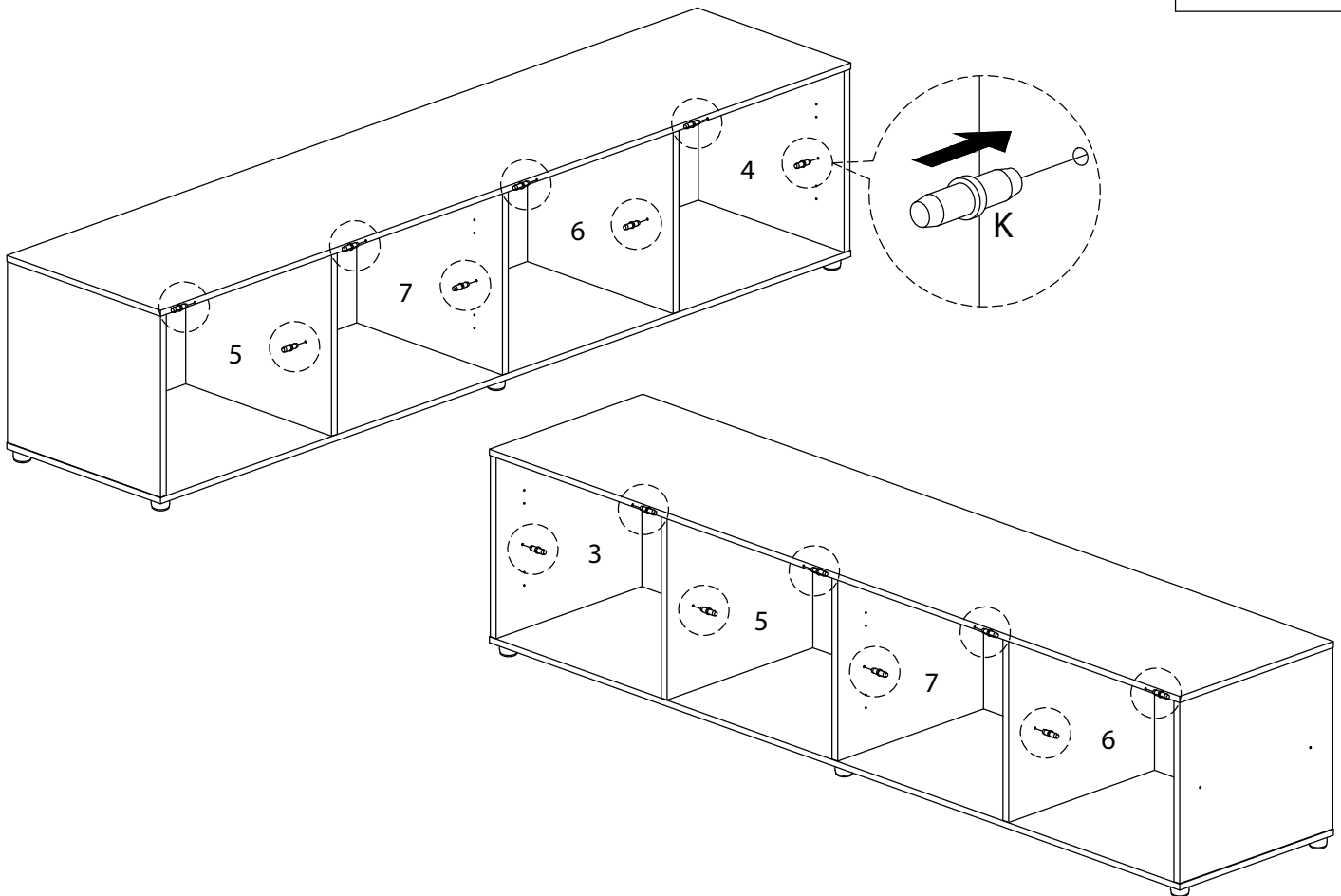
Step 15

Insert hardware (K) into predrilled holes of panel (4, 5, 6 & 7). Repeat step for the next side of panel (3, 5, 6 & 7).

(K) x 16

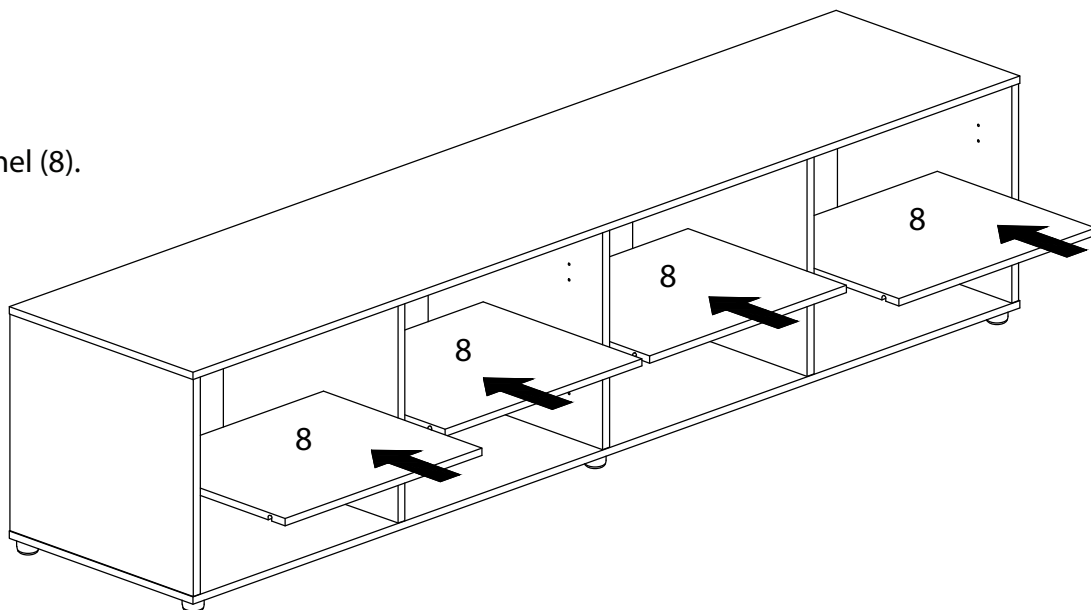


Shelf Support



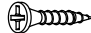
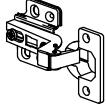
Step 16

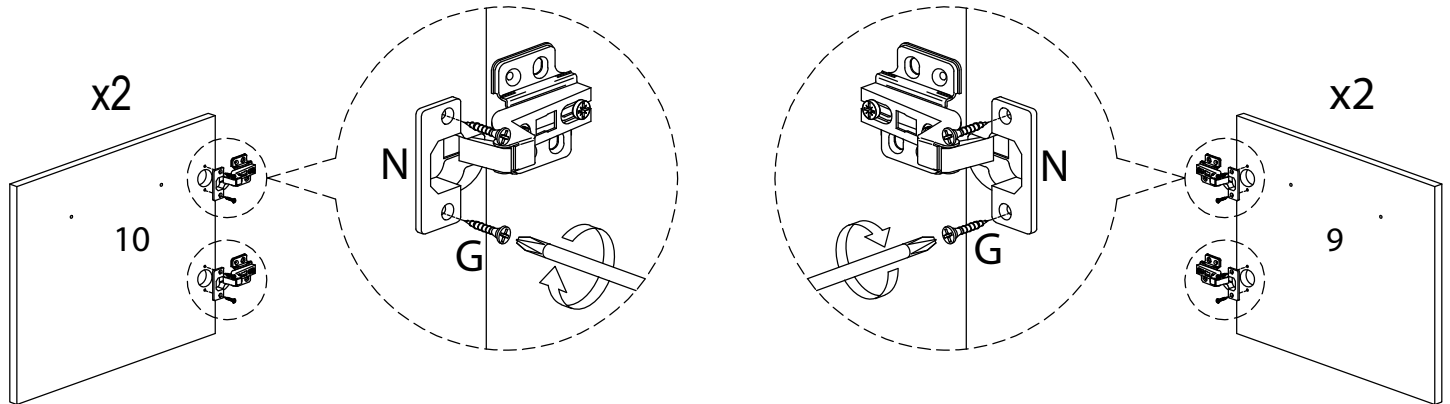
Place all 4pcs panel (8).



Step 17


Assemble hardware (**N**) onto panel (9 & 10). Insert 2pcs screw (**G**) for each hardware (**N**) to fix them. Fully tighten by using screw driver. (As shown).

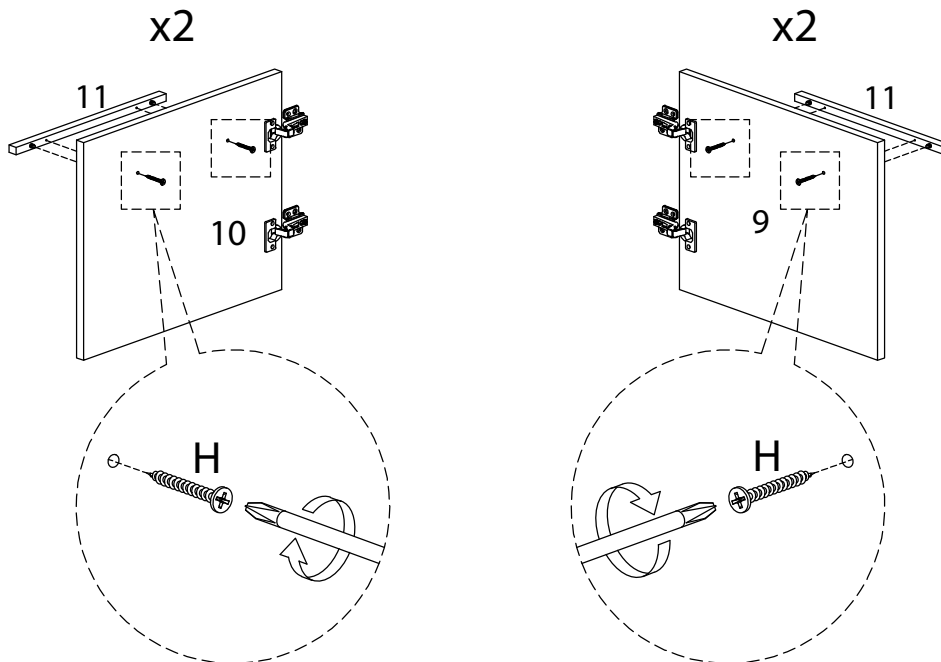
G x 16	N x 8
 M3.5x16mm Screw	 Hinges 7/8



Step 18

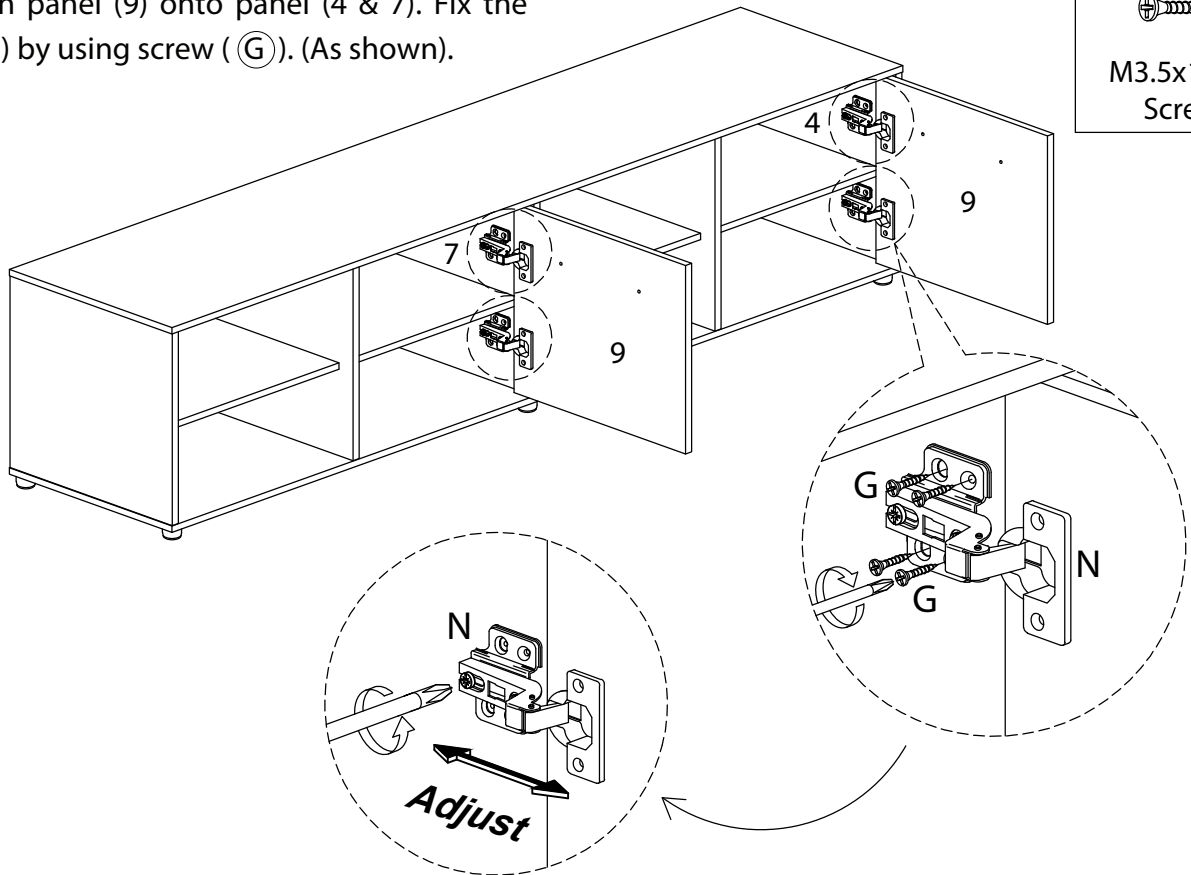
Assemble panel (11) by insert the wood dowel into the non-thru holes at the front of panel (9 & 10). Insert 2pcs screw (**H**) for each panel (11) to fix them. Fully tighten by using screw driver. (As shown).

H x 8
 M4x28mm Screw



Step 19

Assemble both panel (9) onto panel (4 & 7). Fix the hardware (N) by using screw (G). (As shown).



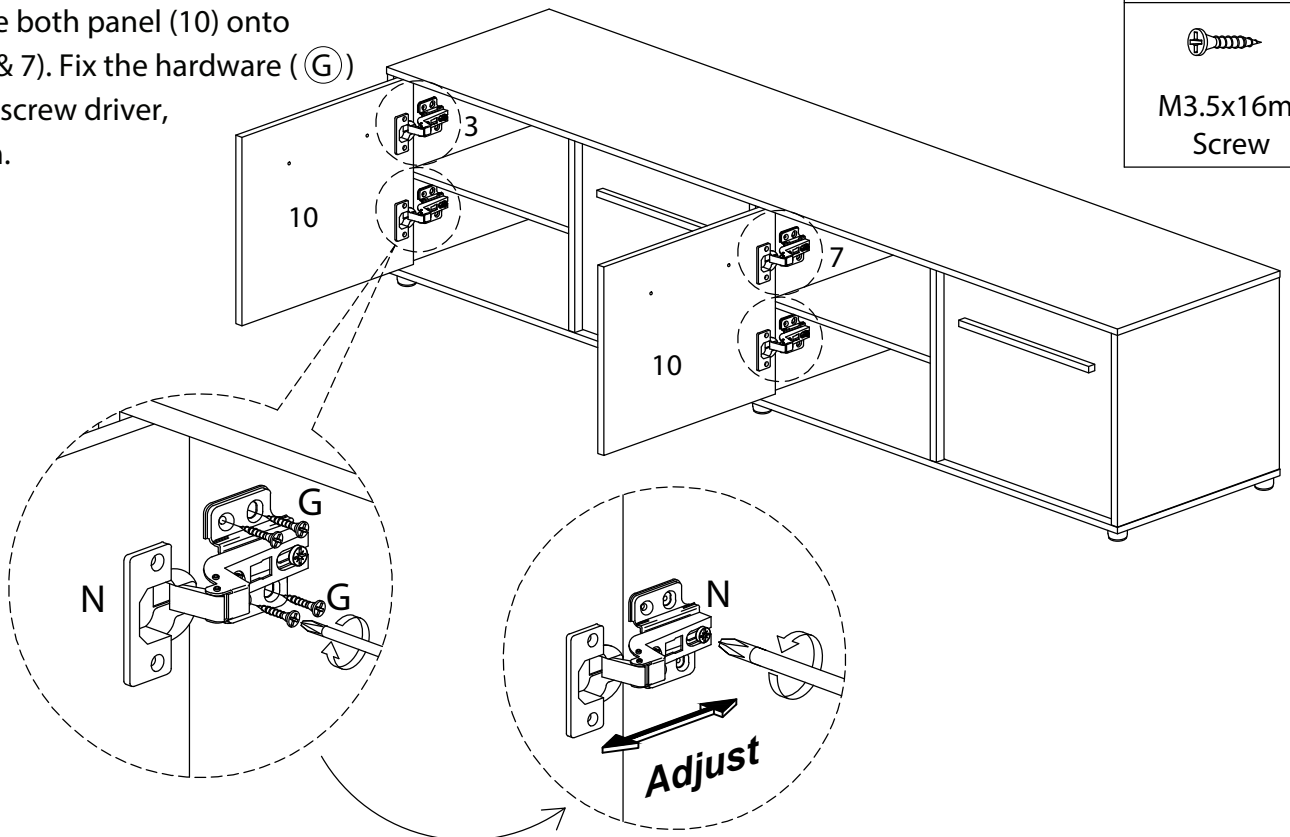
(G) x 16



M3.5x16mm
Screw

Step 20

Assemble both panel (10) onto panel (3 & 7). Fix the hardware (G) by using screw driver, as shown.



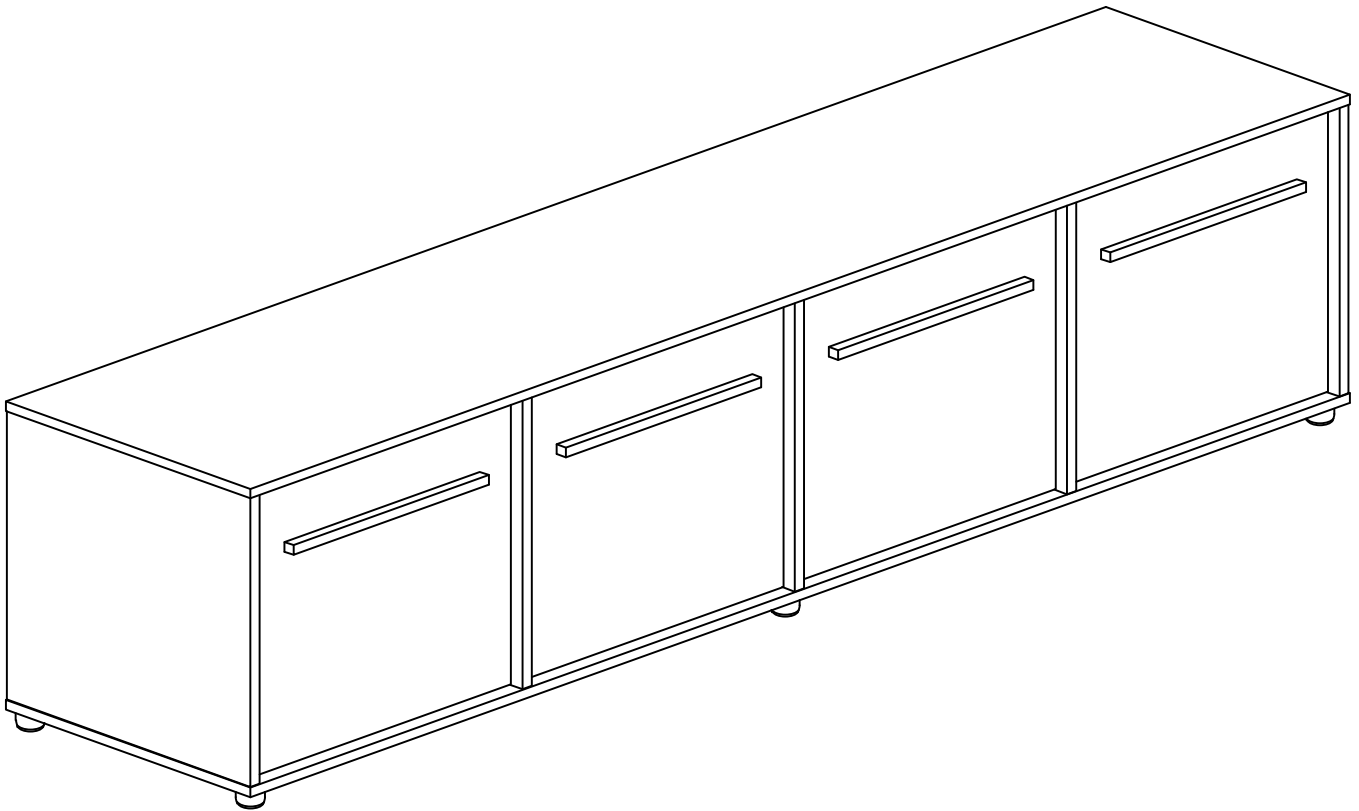
(G) x 16



M3.5x16mm
Screw

VOILA!

Now enjoy.



Warning

DO NOT climb, sit or stand on the Cabinet as this may damage the product and cause serious bodily injury.

Something not right?

We are always here to help.

We make mistakes like every human does.

Though we always strive to provide the best possible products at competitive prices and the best service in the industry, it's not possible to completely eliminate mistakes. If you experience any dissatisfaction, feel free to contact us immediately. Our in-house customer care team will respond ASAP.

Things to do to expedite the process

- Have your order# ready
- Take photos/videos to help us better identify the issues
- DO NOT throw away the packaging