

FZU30LX



Product family	Freezers
Installation	Built-in
Built-In Niche	200 cm
Category	One Door
Cooling type	No-frost
Hinge	Door-to-door
Hinge position	Left



Aesthetic

Aesthetics	Classic	Handle color	Stainless steel
Color	Stainless steel	Side material	Metal
Material	Stainless steel	Side color	Steel
Door stainless steel type	Normal	Logo	Applied
Handle	External	Drawers profile color	Silver
Handle	Fixed	Display	TFT

Freezer features

Freezer lighting	Yes
Freezer lighting	Incandescent light
Number of drawers	4

Other Freezer features

Ice maker	Automatico
-----------	------------

Other technical features



Display functions	Holiday, Fast-freezing, MultiZone, Sabbath	No. of compressors	1
Fast-freezing button	Yes	Refrigerant gas type	R600a
Power-on light	Yes	Type of compressor	Inverter
		Refrigerant quantity	85 oz

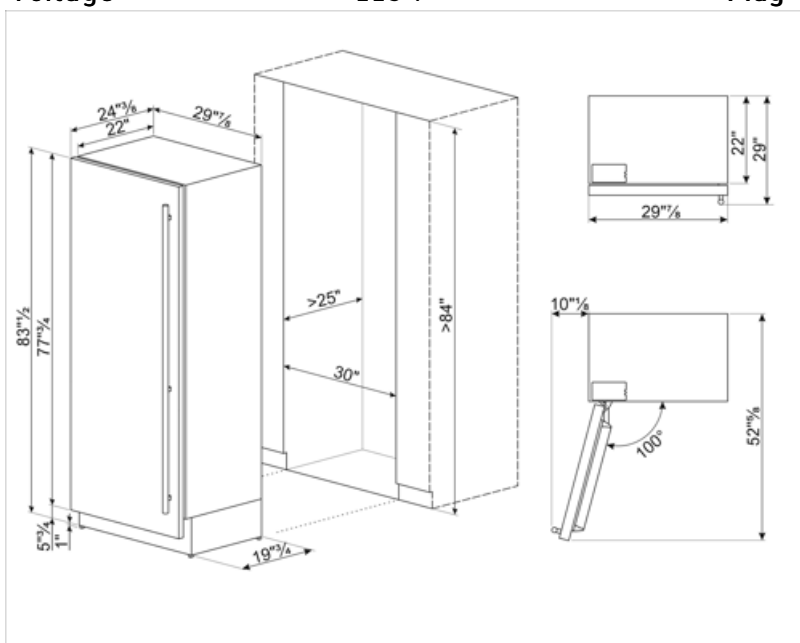
Door-open alarm	Yes	Foam agent	Cyclopentane
Antibacterial Gasket	Yes	Metal panel on the back of the fridge	Metal
Type of temperature control	Electronic		

Performance / Energy Label

Total volume 119.4 gal

Electrical Connection

Nominal power rating	344 W	Frequency (Hz)	60 Hz
Current	2,5 A	Power cord length	78 3/4 "
Voltage	115 V	Plug	(B) NEMA 5-15P



Symbols glossary



Fast freezing: The fast freezing function brings the temperature of the compartment down when activated a few hours prior to usage.



Inverter technology: The evolution of Smeg's driers towards more intelligent and environmentally sustainable models has led to the choice of using Inverter technology with heat pumps, which reduces significantly energy consumption.



Built-in niche



Power saving mode: The power saving mode allows you to disable the refrigerator and keep the freezer working.



Multizone: Multizone compartment can be used as a refrigerator or a freezer compartment. Depending on your needs and eating habits, you can select settings, program the temperature using.



No Frost: The No Frost and Frost free systems prevent ice from forming so that no defrosting is required.