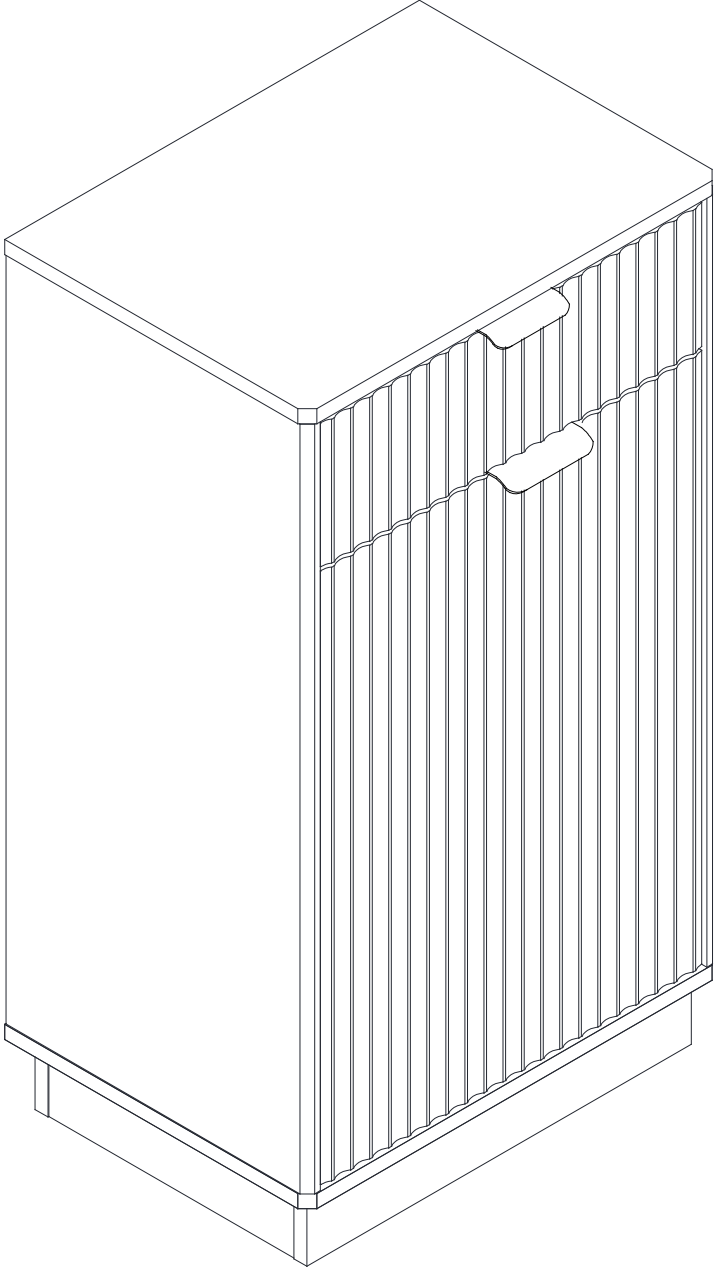


Installation Instruction



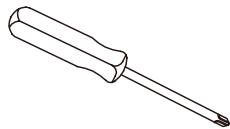
Product Name

Cabinet

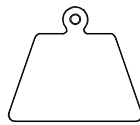
Assembling

What you need

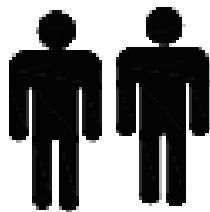
- Use the packaging carton as a working surface to prevent product damage during assembly
- Phillips head screwdriver



Weight Limitation

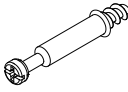

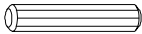
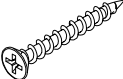

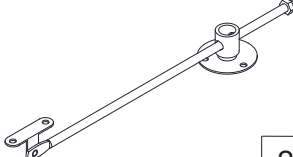
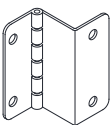
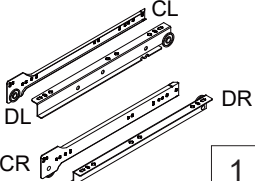
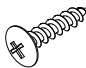

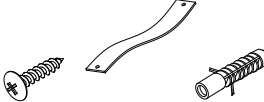
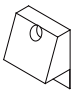




50 | **20** | **11**
lbs table top | lbs per shelf | lbs per drawer



2 PERSONS

HARDWARE

<p>A</p>  <p>Ø6x35mm</p> <p>46PCS</p>	<p>B</p>  <p>Ø15x10mm</p> <p>46PCS</p>	<p>C</p>  <p>Ø5.8x30mm</p> <p>30PCS</p>
<p>D</p>  <p>M4X35mm</p> <p>10 PCS</p>	<p>E</p>  <p>M3X12mm</p> <p>30 PCS</p>	<p>F</p>  <p>2 PCS</p>
<p>G</p>  <p>2 PCS</p>	<p>H</p>  <p>1 PC</p>	<p>I</p>  <p>M3X16mm</p> <p>12 PCS</p>
<p>J</p>  <p>2 PCS</p>	<p>K</p>  <p>M4X14mm</p> <p>2 PCS</p>	<p>L</p>  <p>12 PCS</p>
<p>M</p>  <p>4 PCS</p>	<p>N</p>  <p>1 PC</p>	

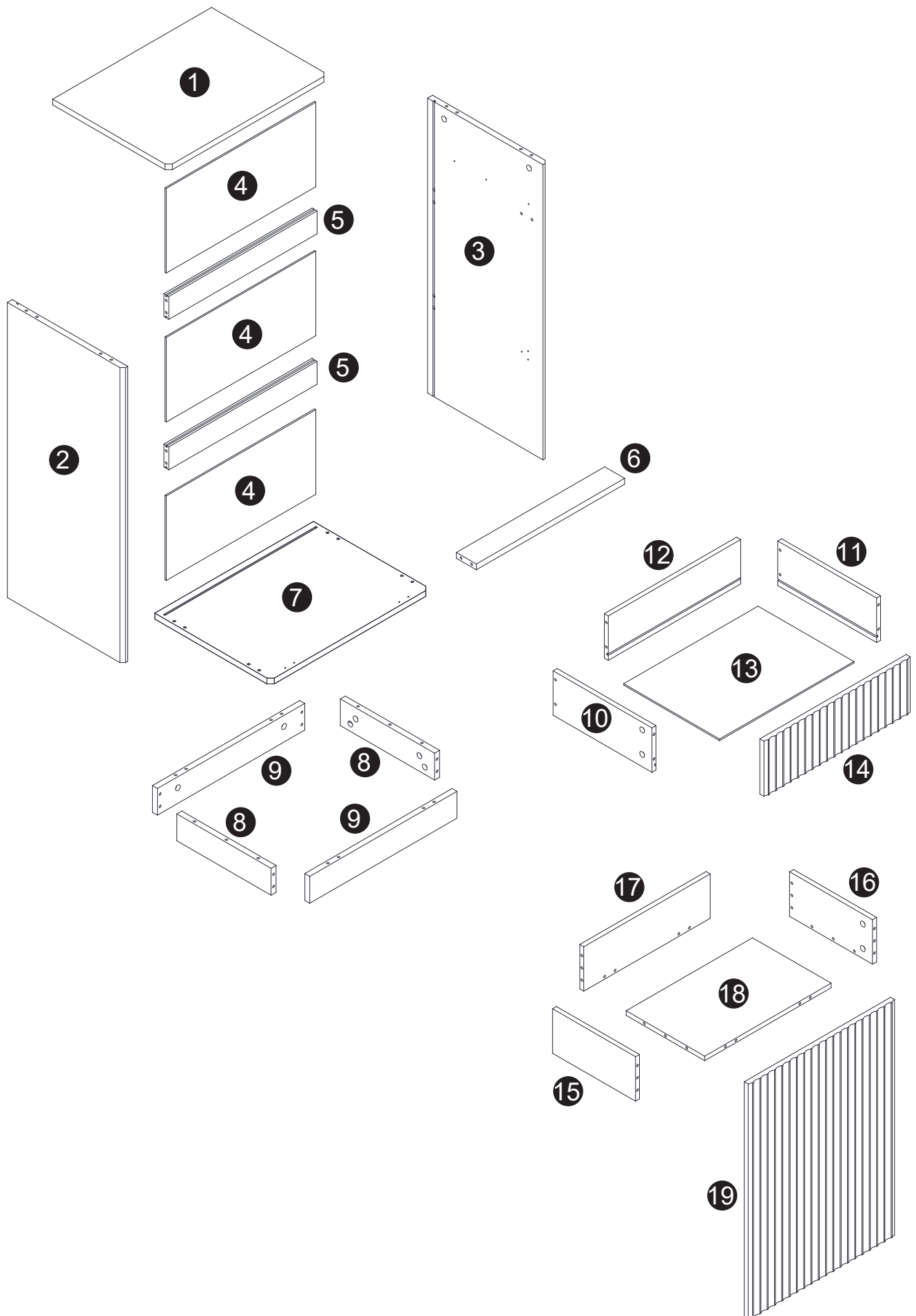
IMPORTANT :

1. Do not tighten bolts / screws completely until all bolts / screws are lined up and inserted into holes.
2. Do not over tighten screws and bolts to avoid stripping.
3. Please use hand tools to assemble this product. Do not use power tools.
4. Must need 2 people to assemble this product.

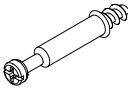

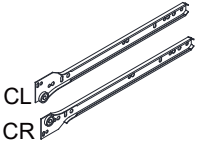


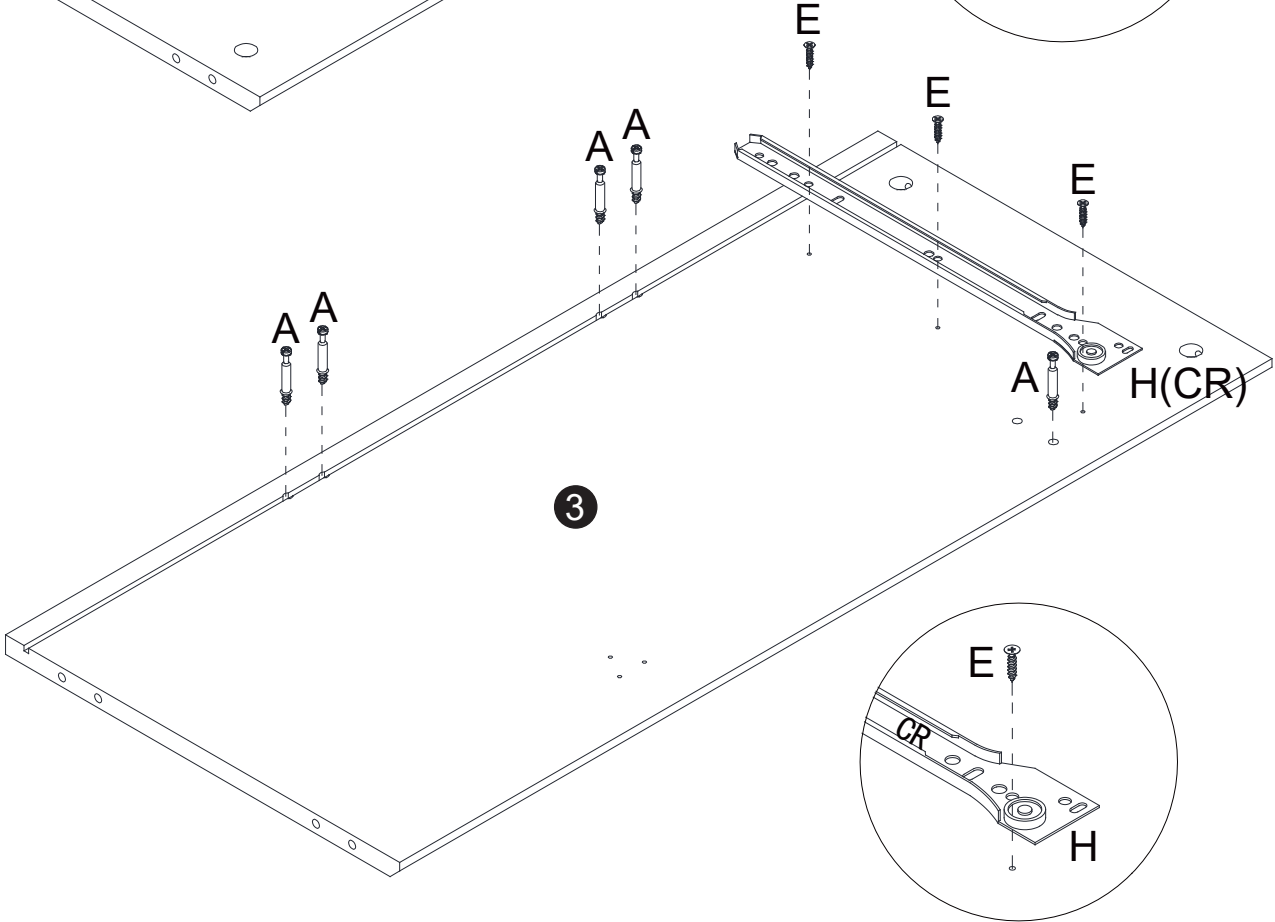
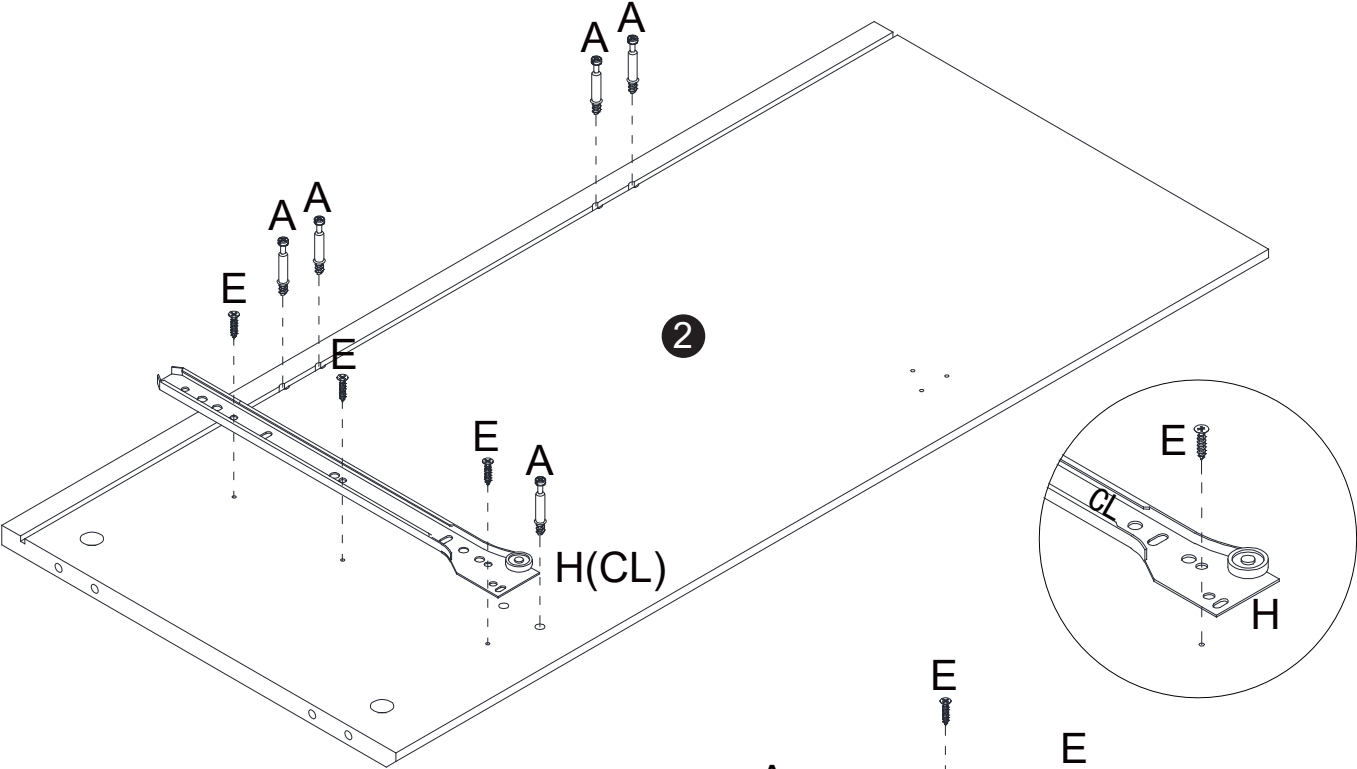
2 PERSONS

The Accessories

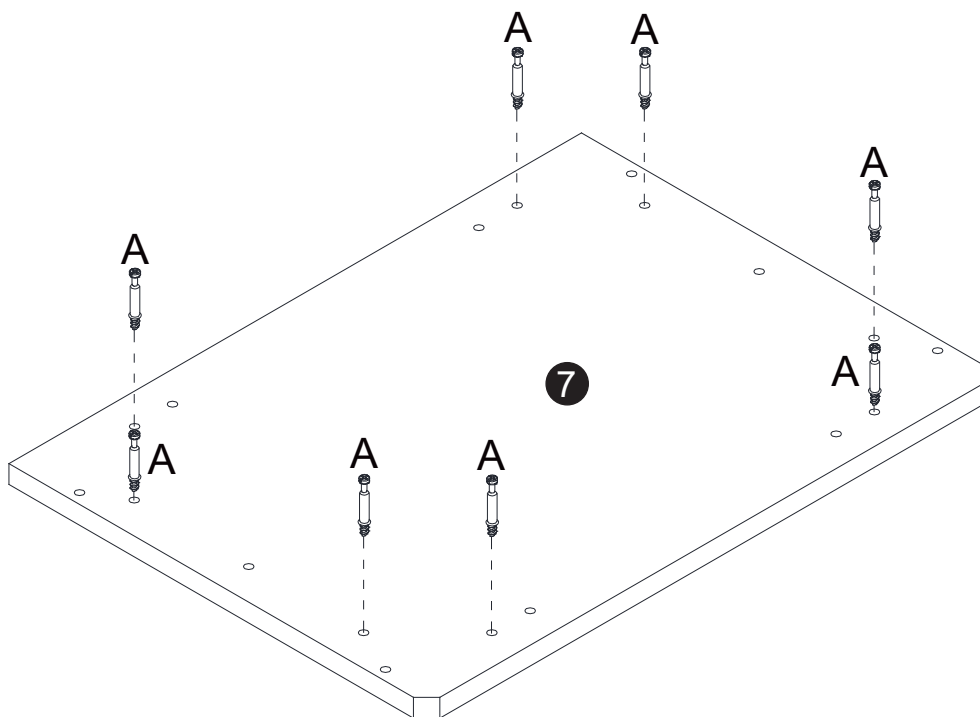
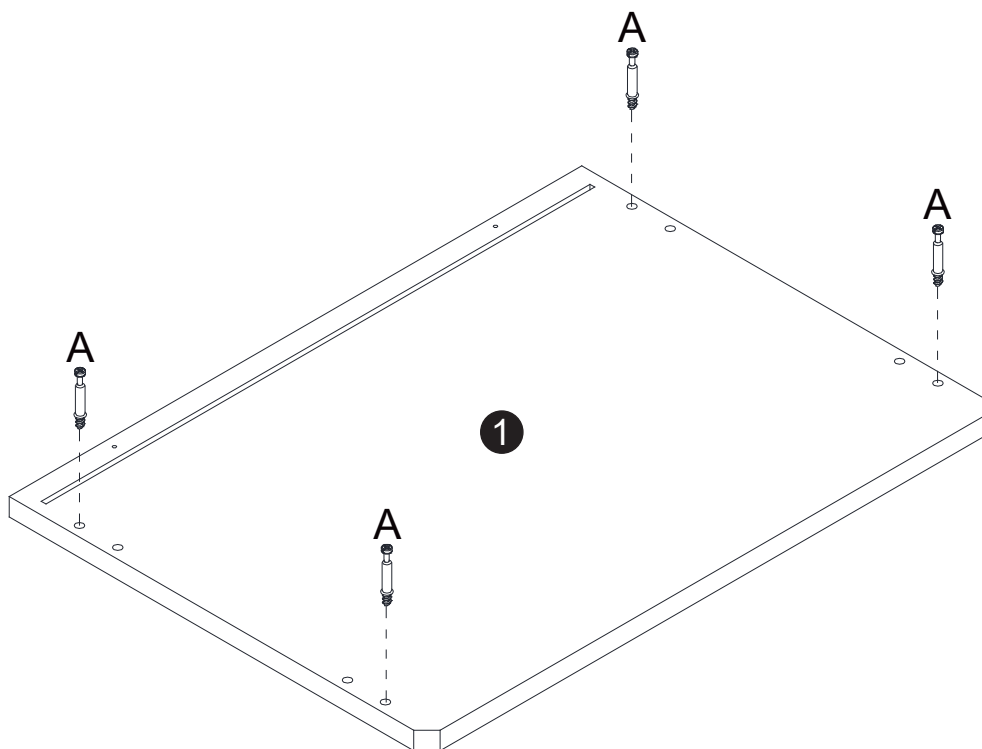
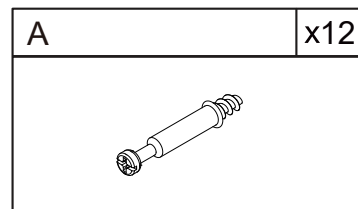


Step 1


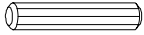
A	x10	E	x6	H	x1
					

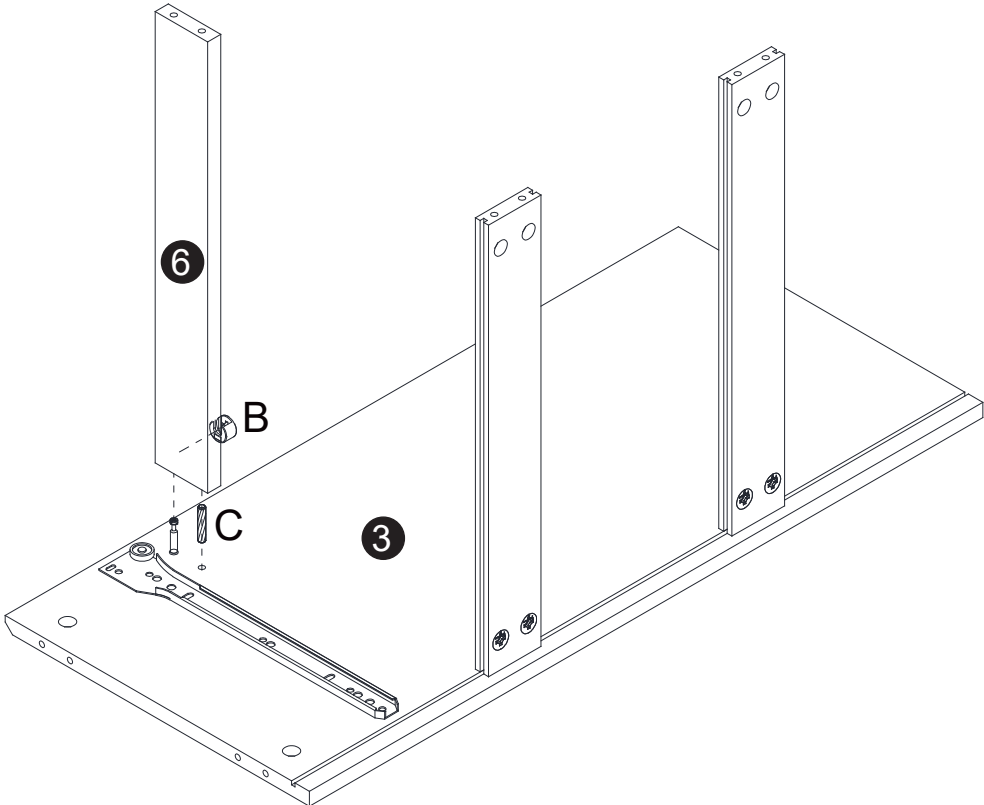
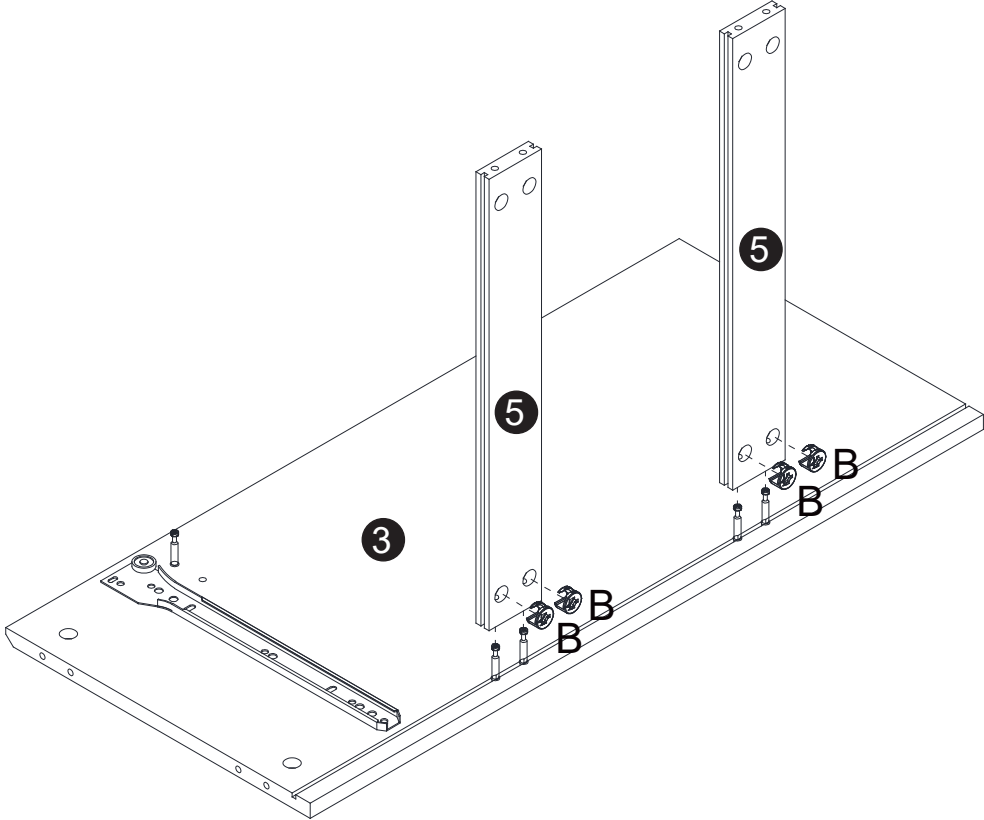


Step 2


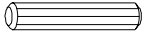


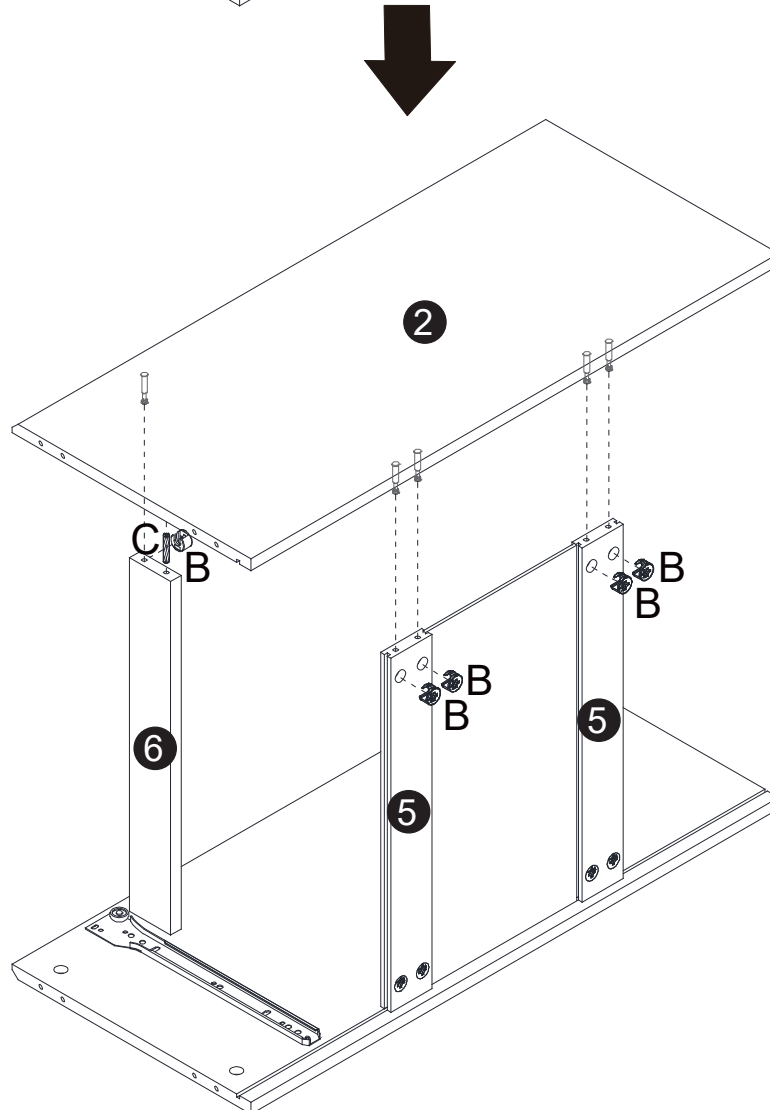
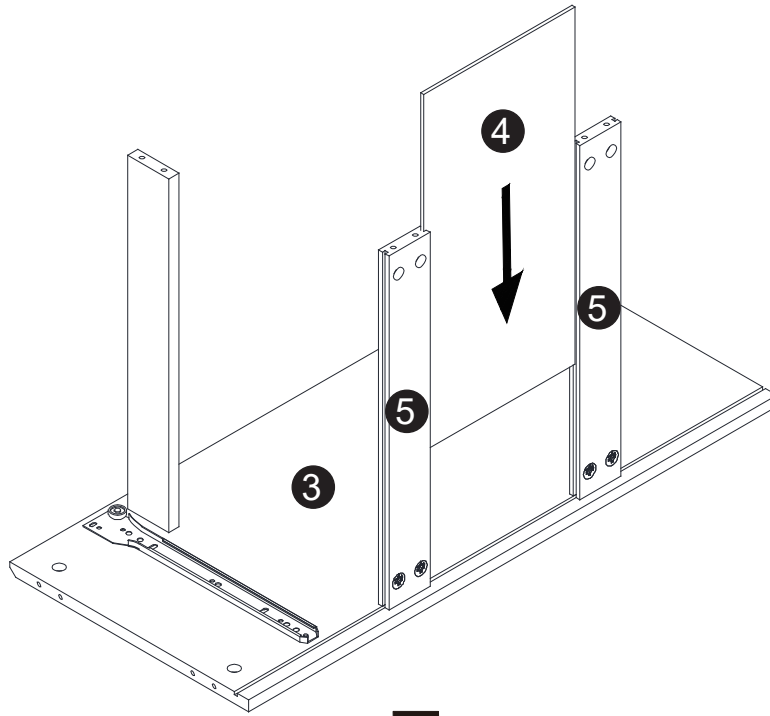
Step 3

B	x5	C	x1
			


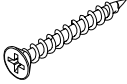


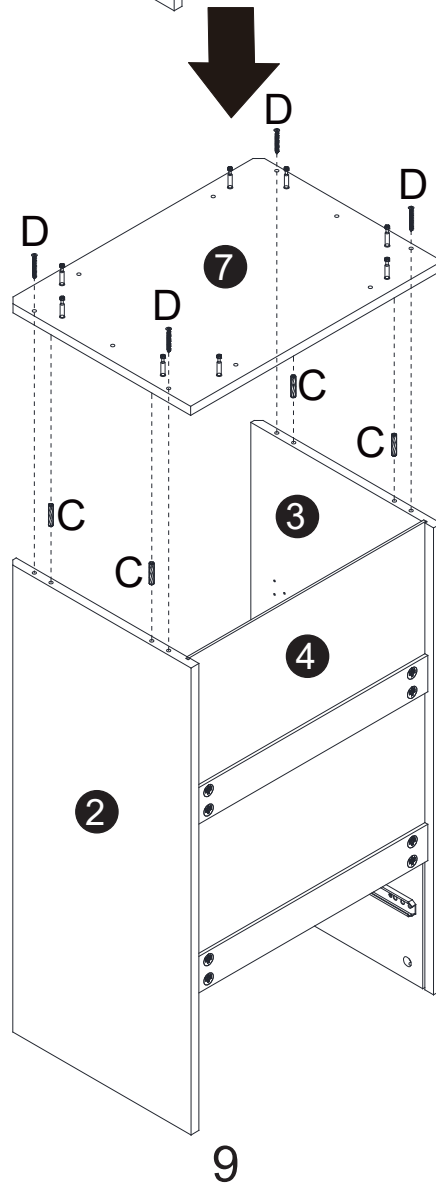
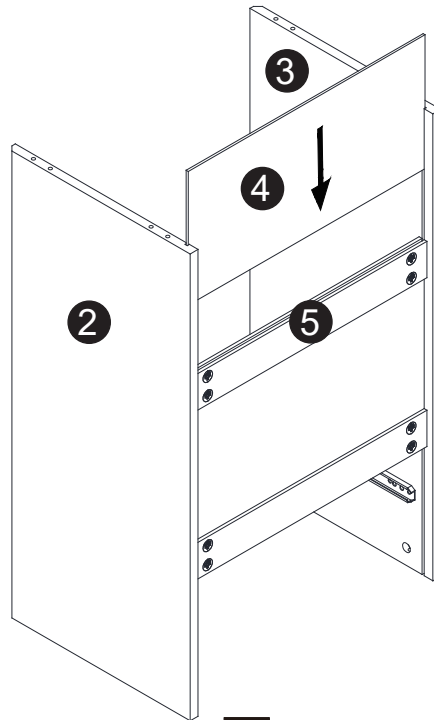
Step 4

B	x5	C	x1
			

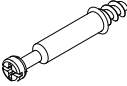

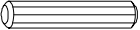


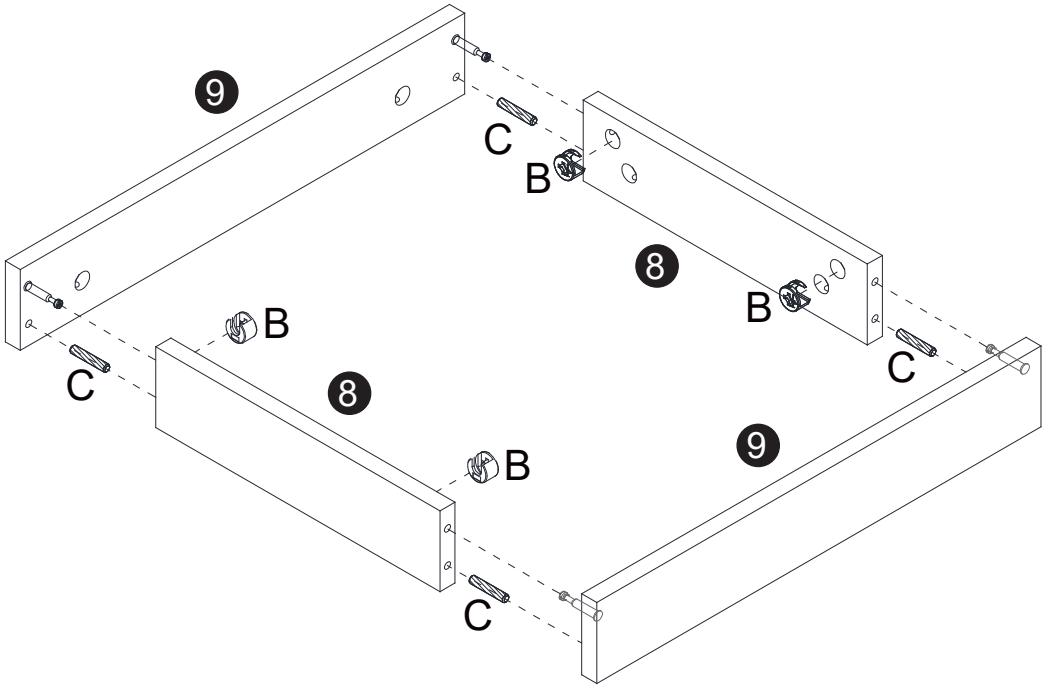
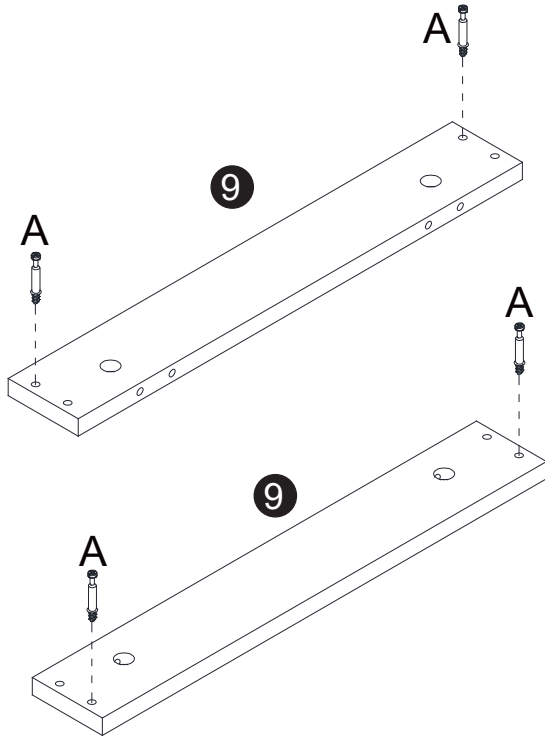
Step 5

C	x4	D	x4
			





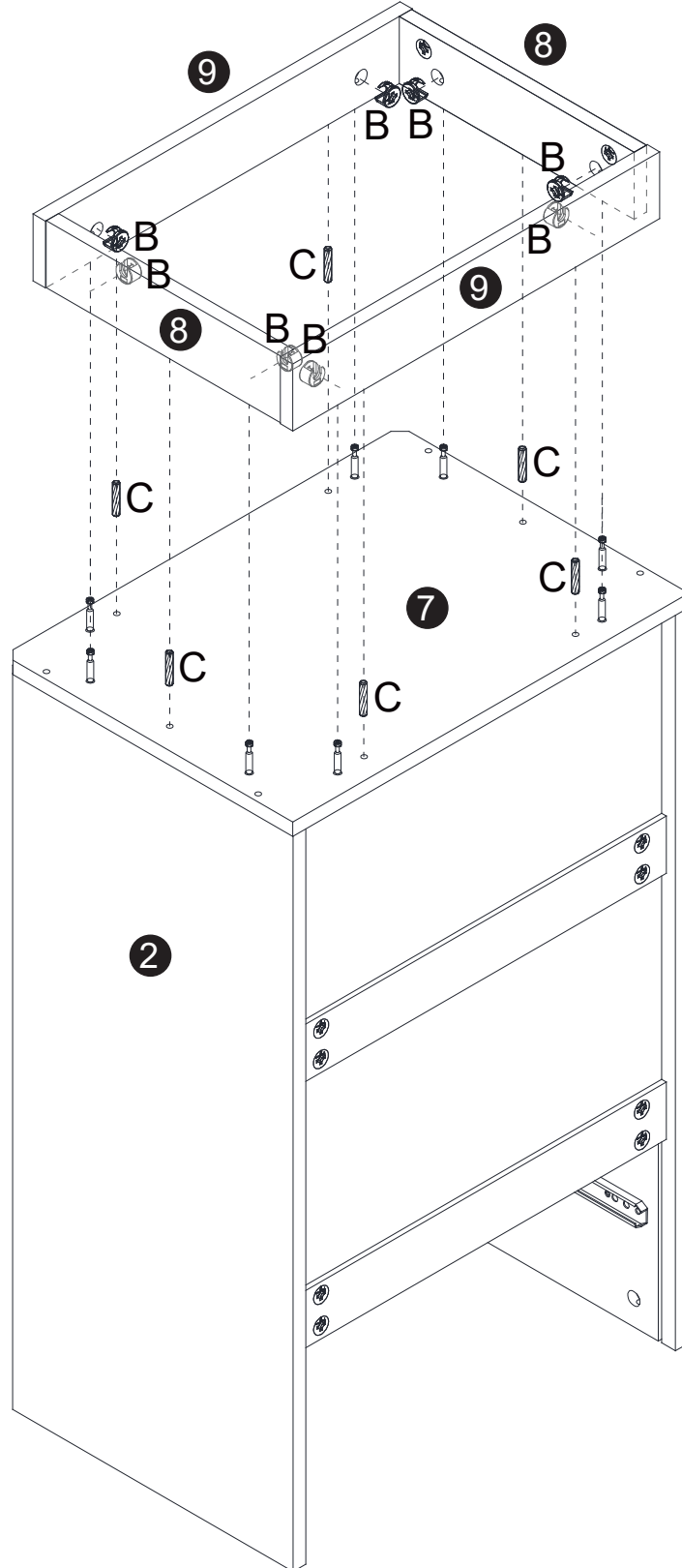
Step 6

A	x4	B	x4	C	x4
					


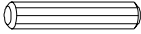


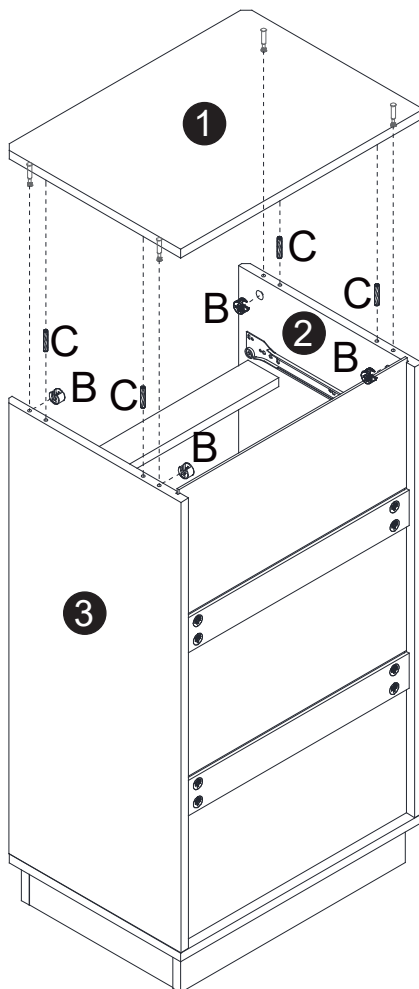
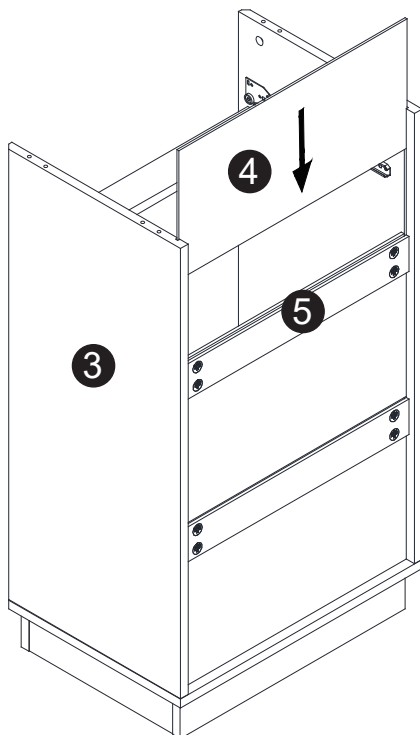
Step 7

B	x 8	C	x 6
			

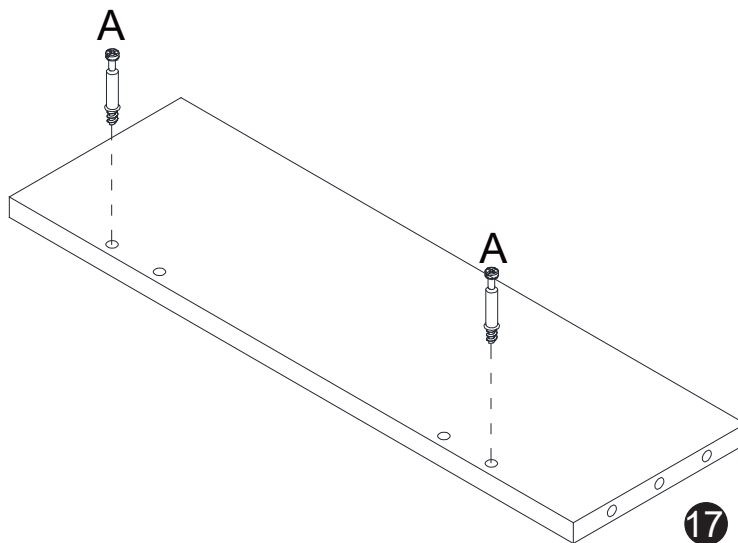
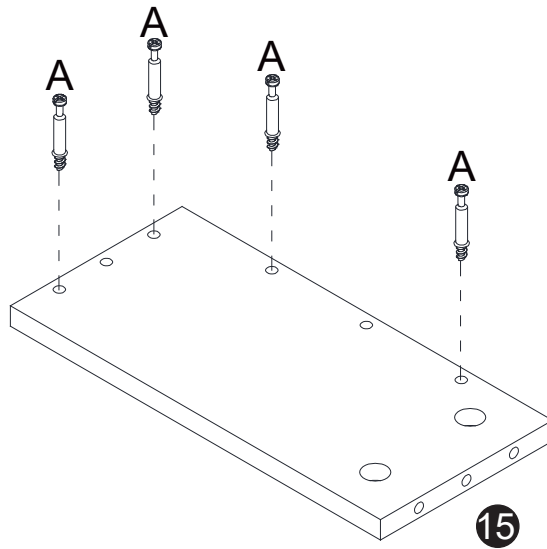
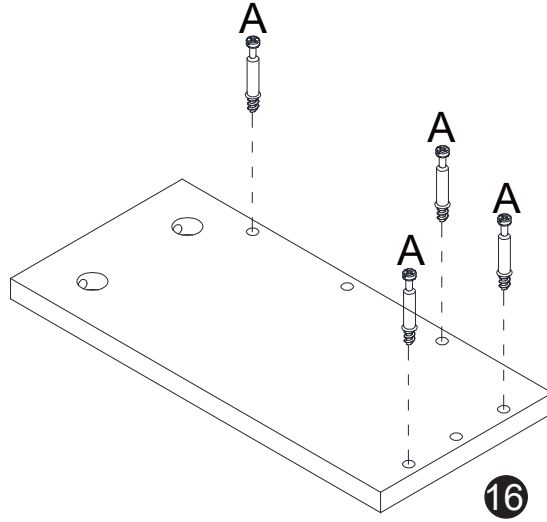
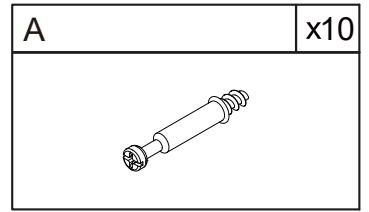


Step 8



B	x4	C	x4
			

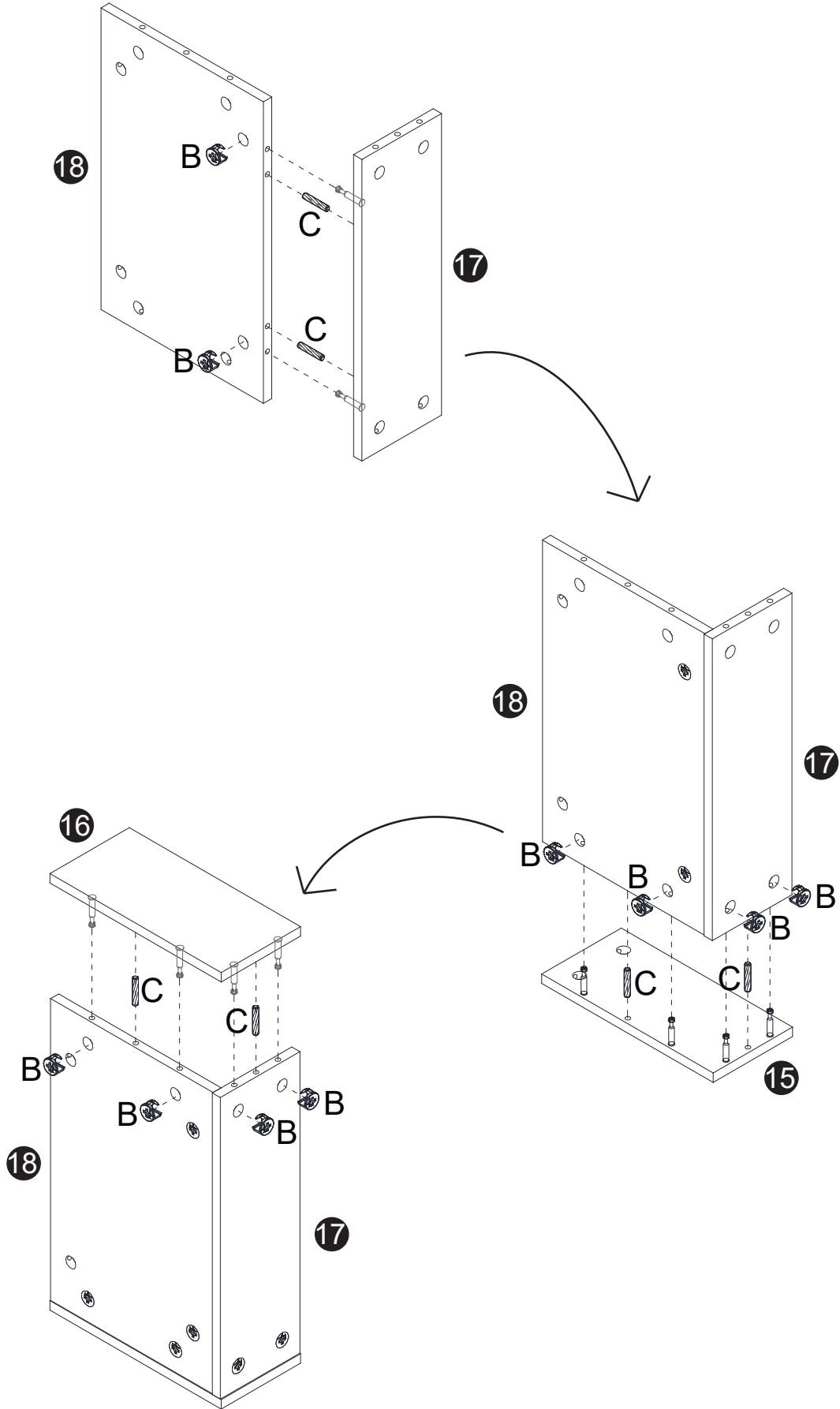


Step 9

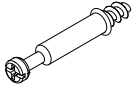

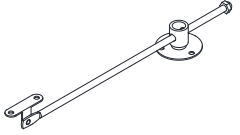
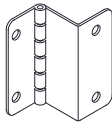
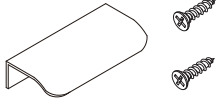


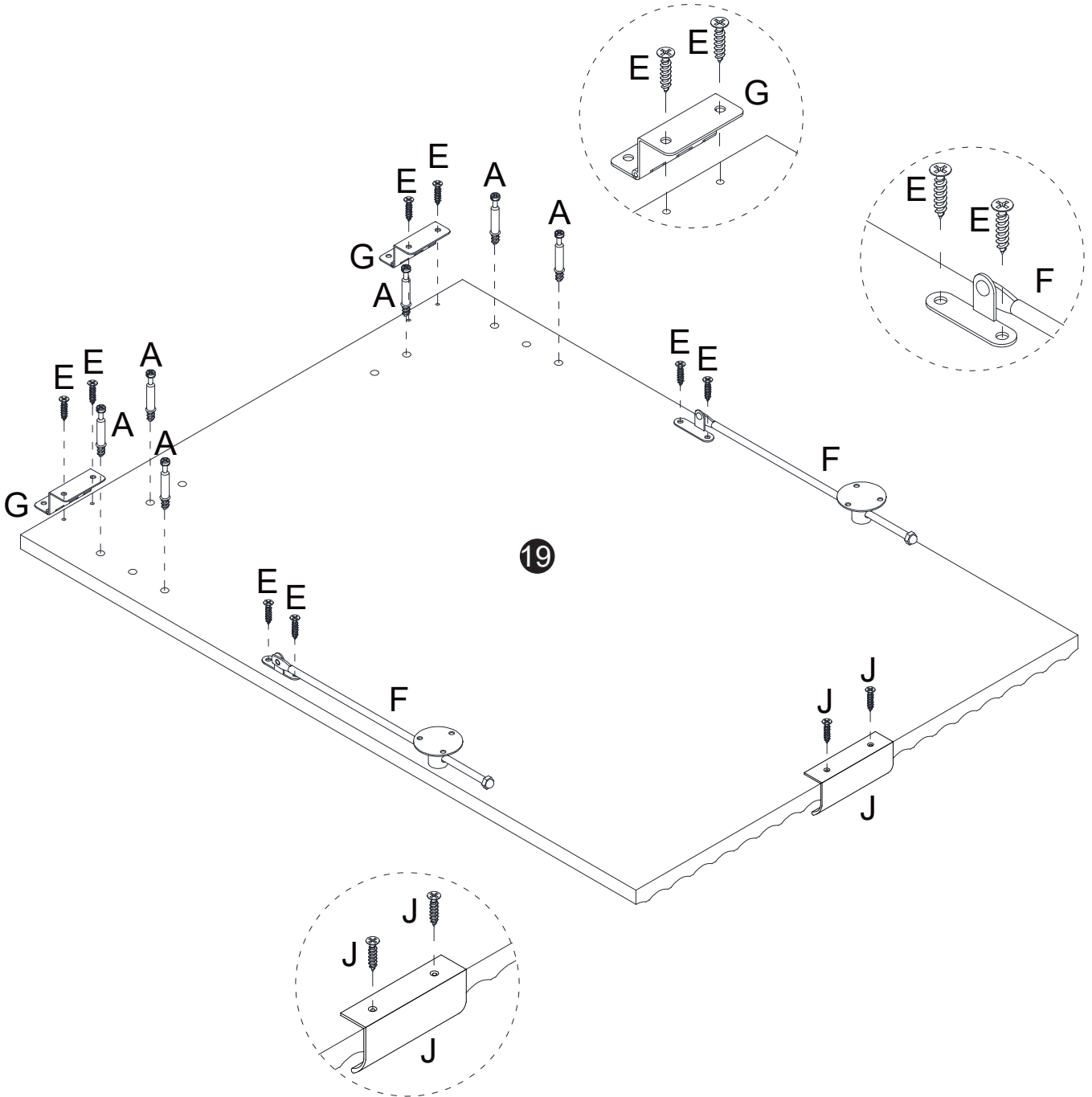
Step 10

B	x10	C	x6
			





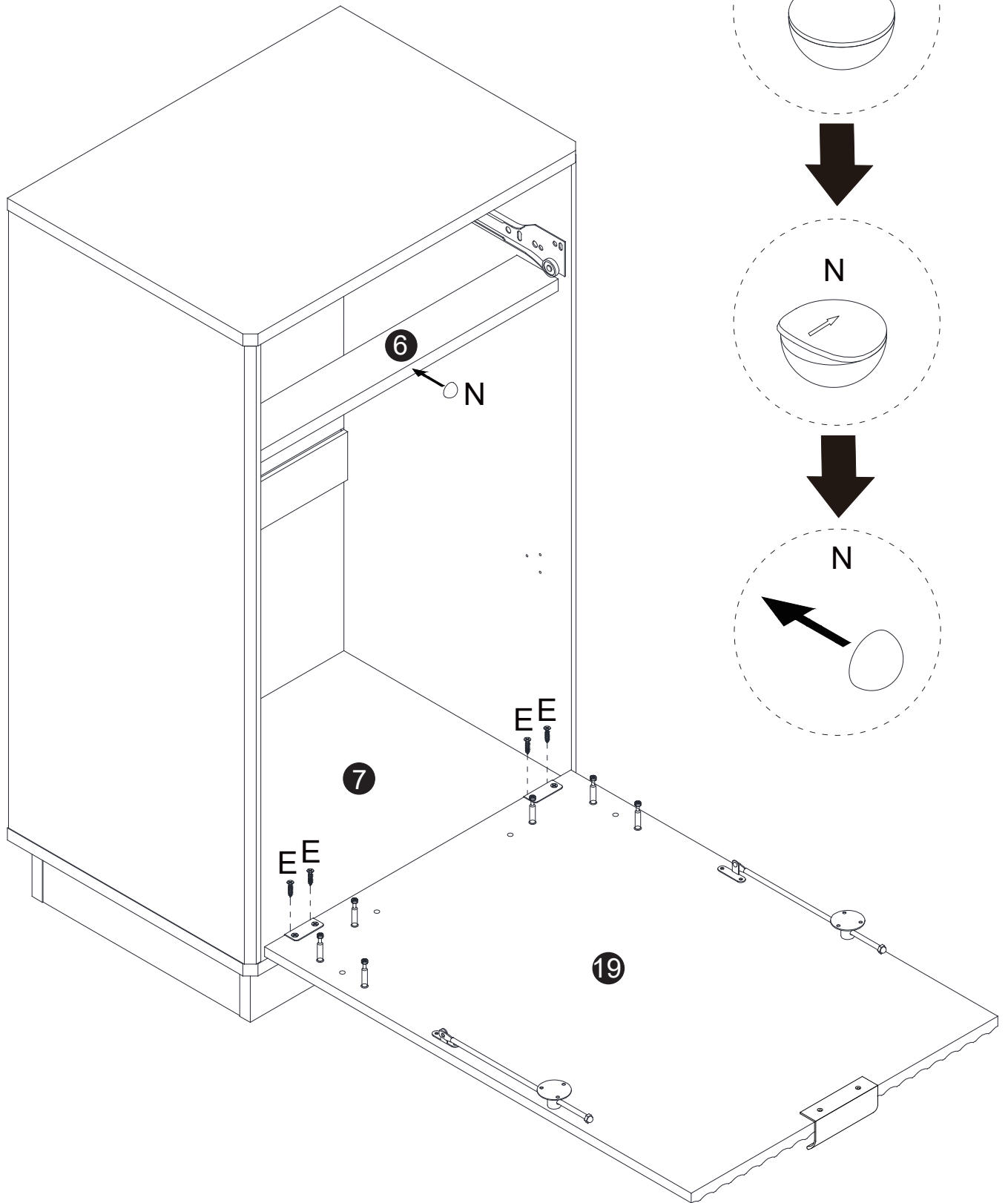
Step 11

A	x6	E	x8	F	x2
					
		G	x2	J	x1
					


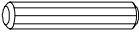


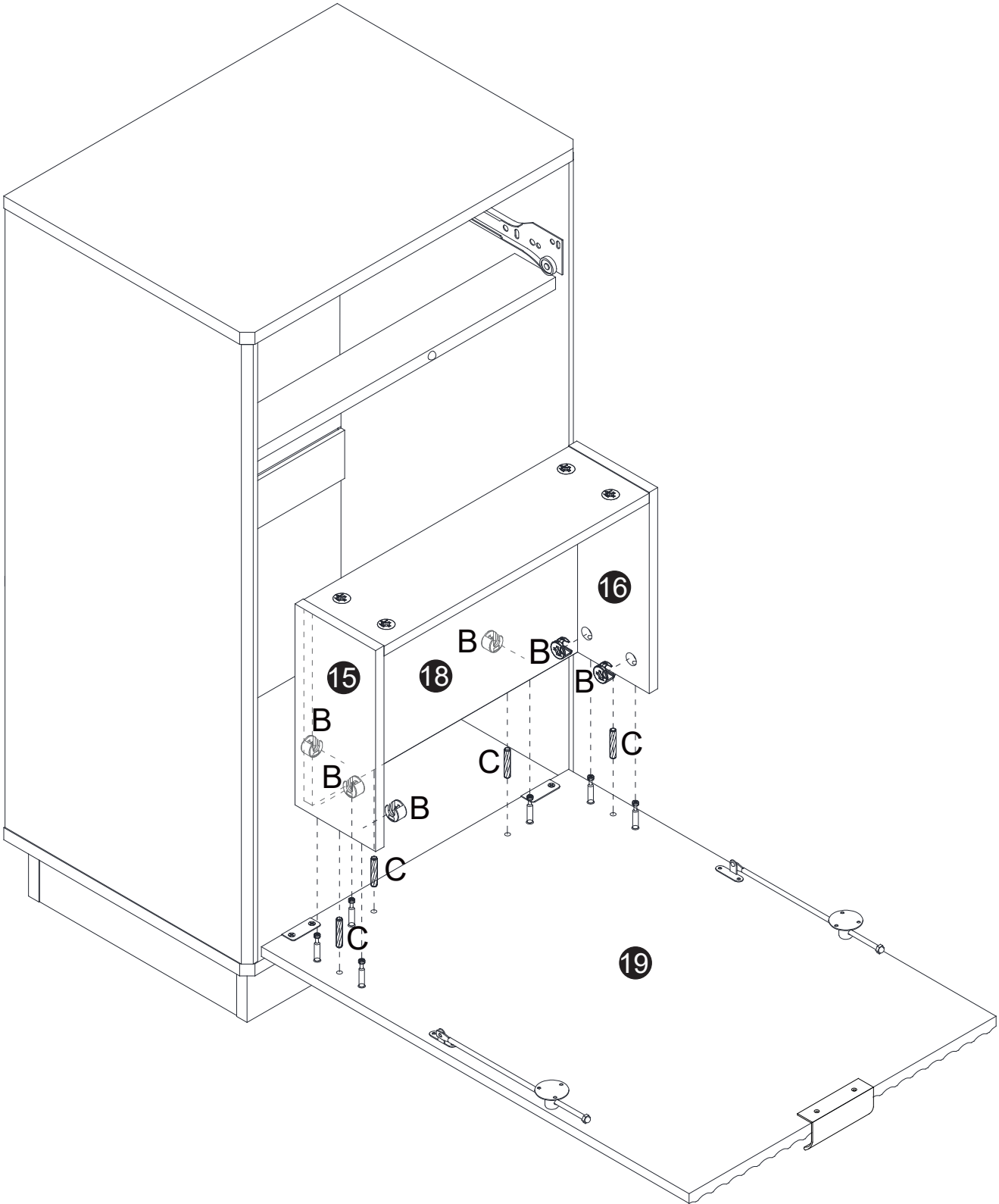
Step 12

E	x4	N	x1
			




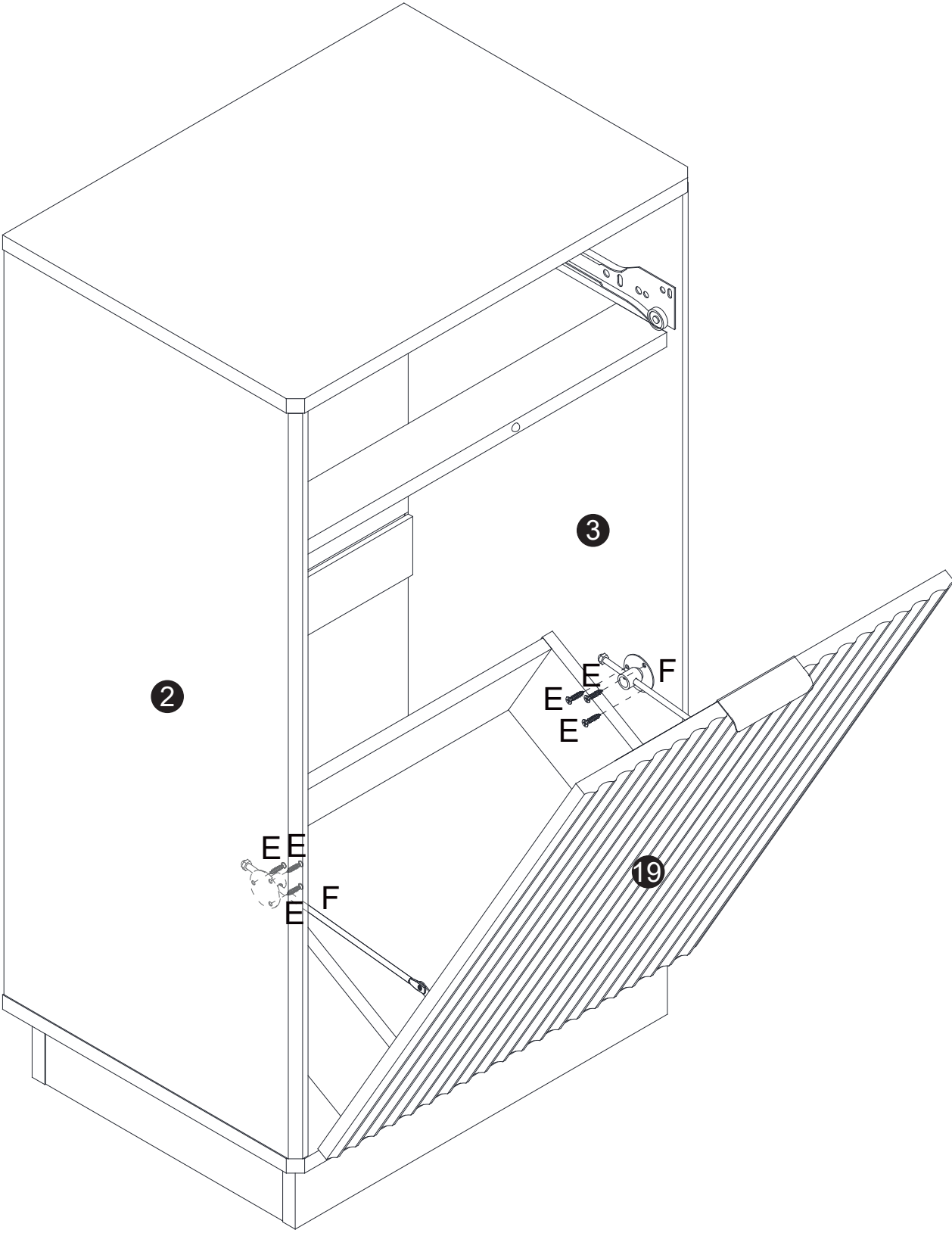
Step 13

B	x6	C	x4
			

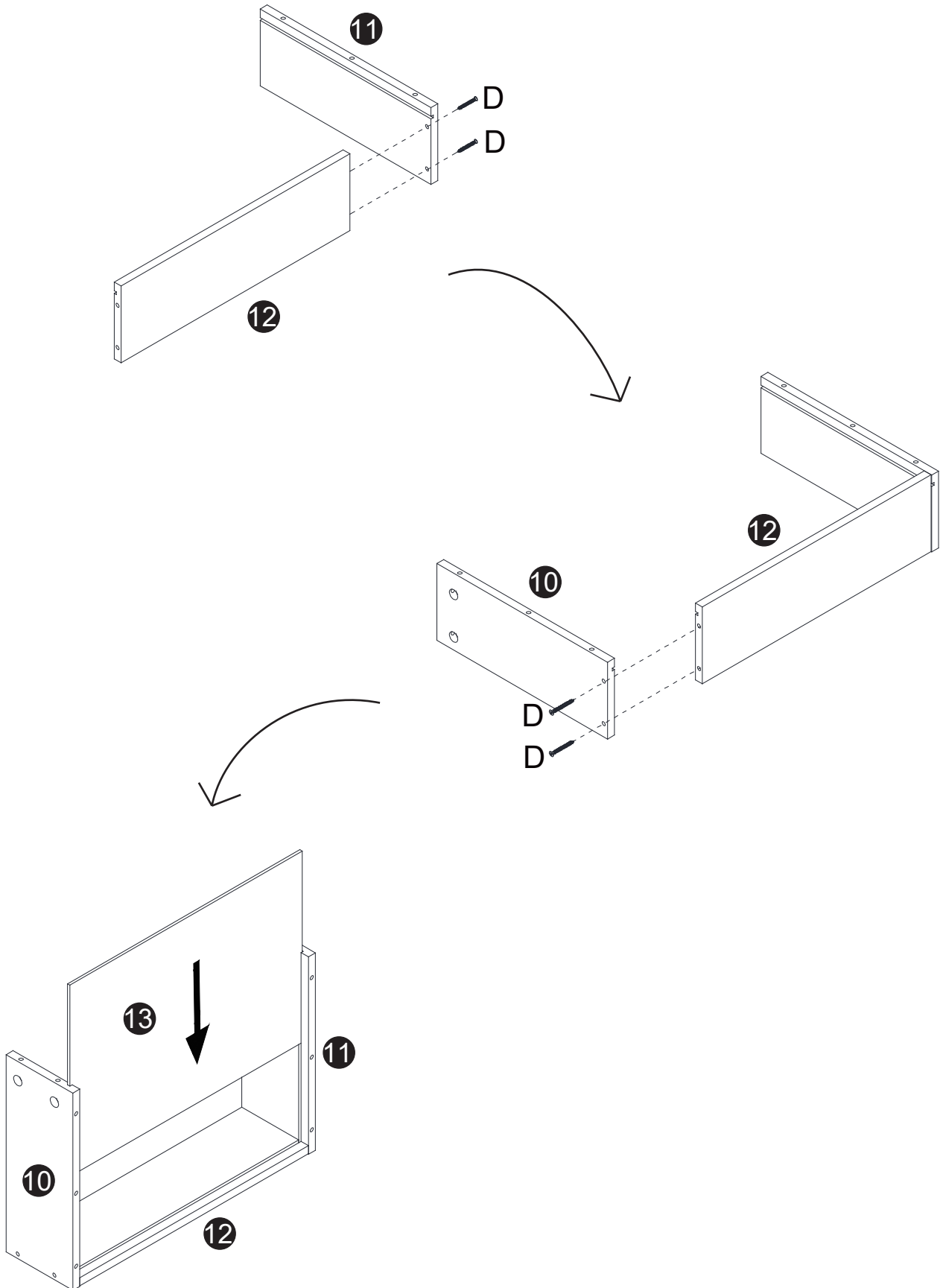
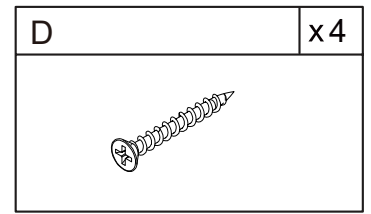


Step 14

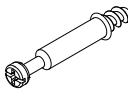
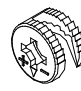

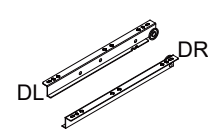
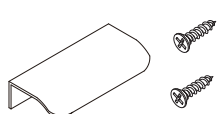
E	x6
	

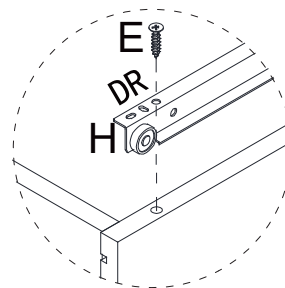
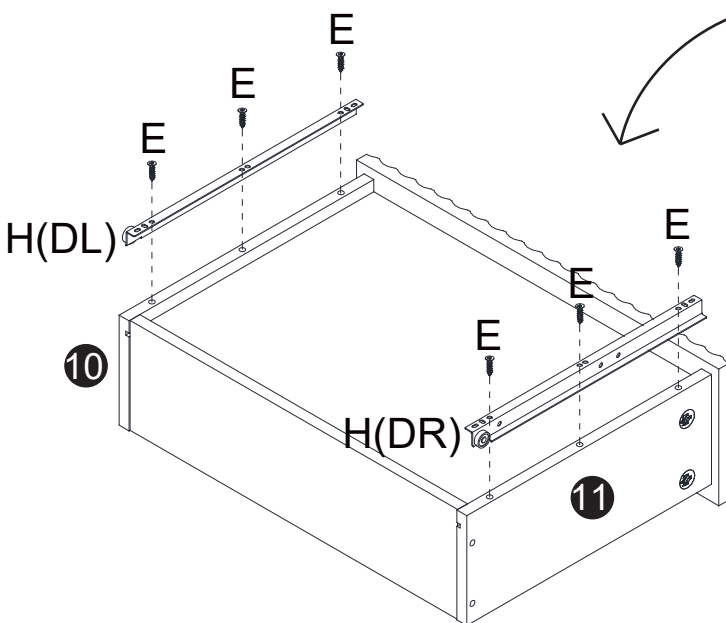
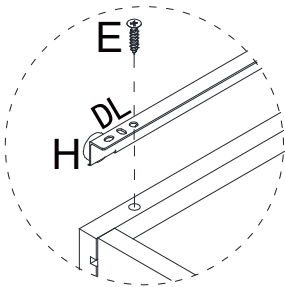
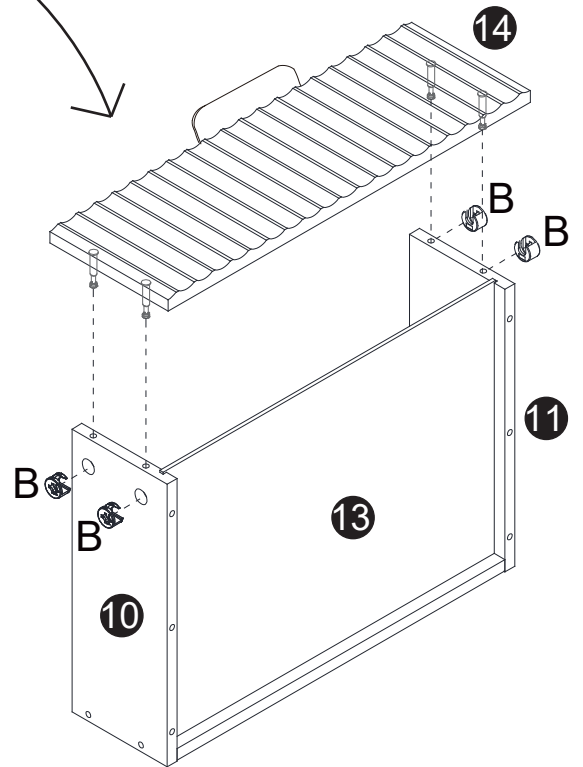
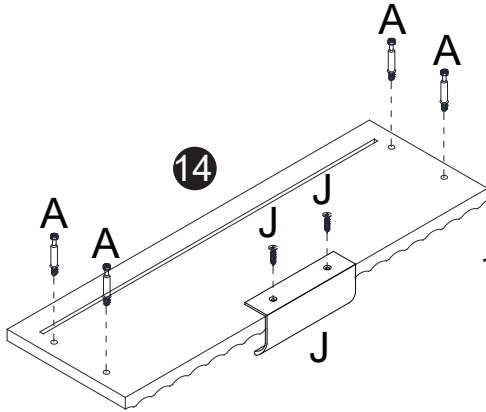


Step 15

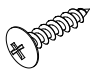
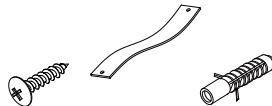
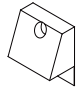
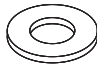


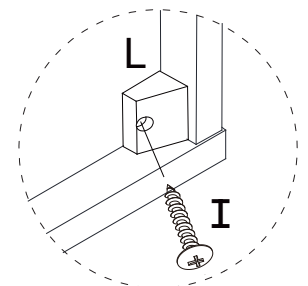
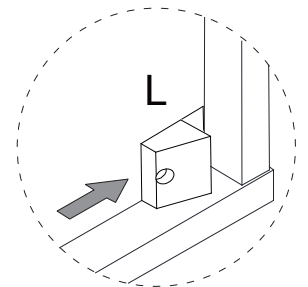
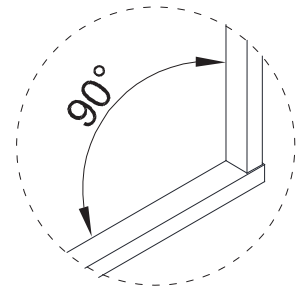
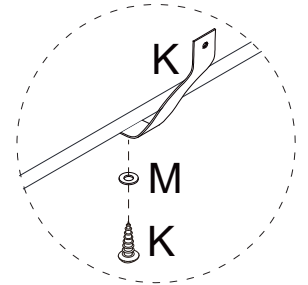
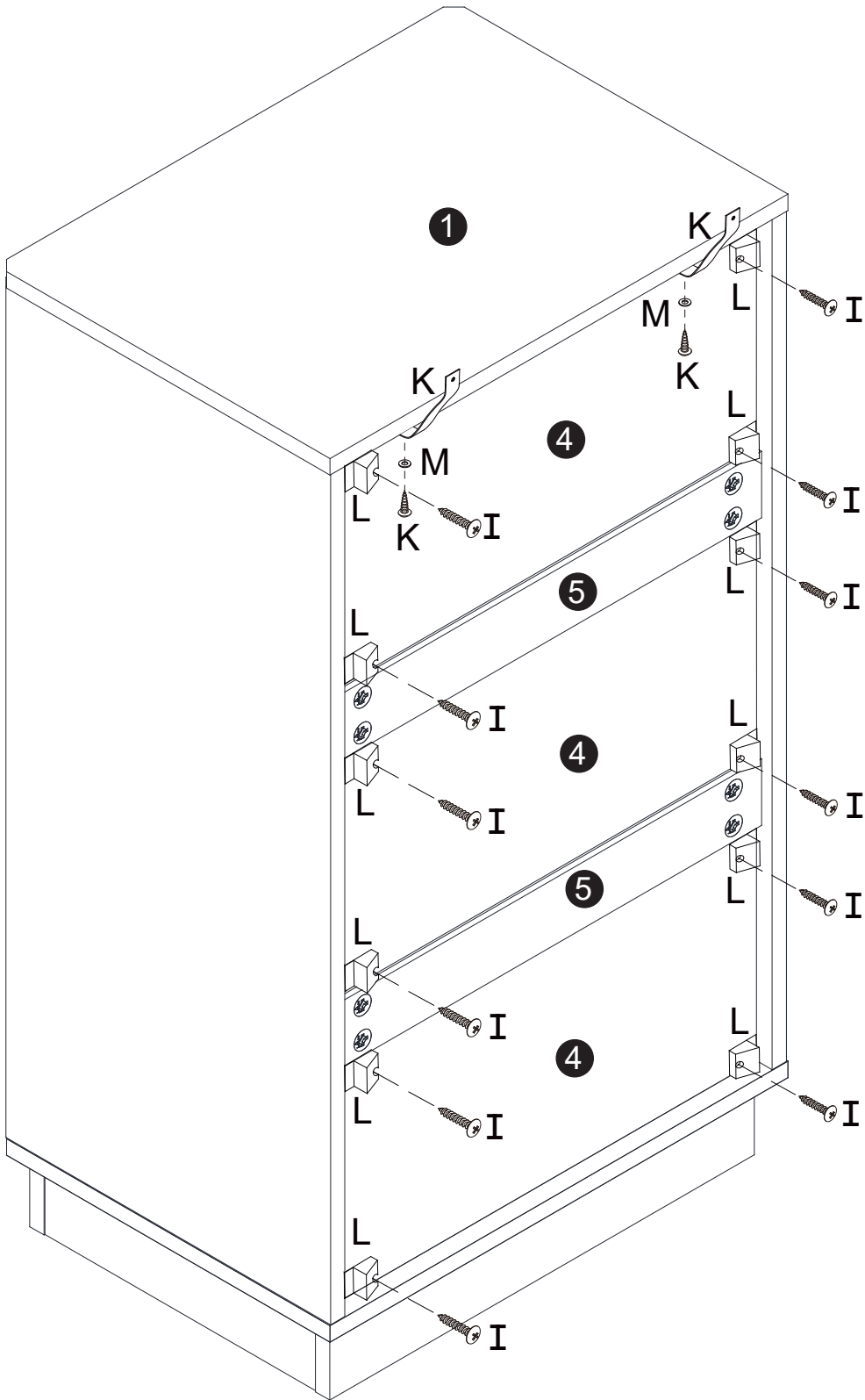
Step 16

A	x4	B	x4	E	x6	
						
H			x1	J		x1
						

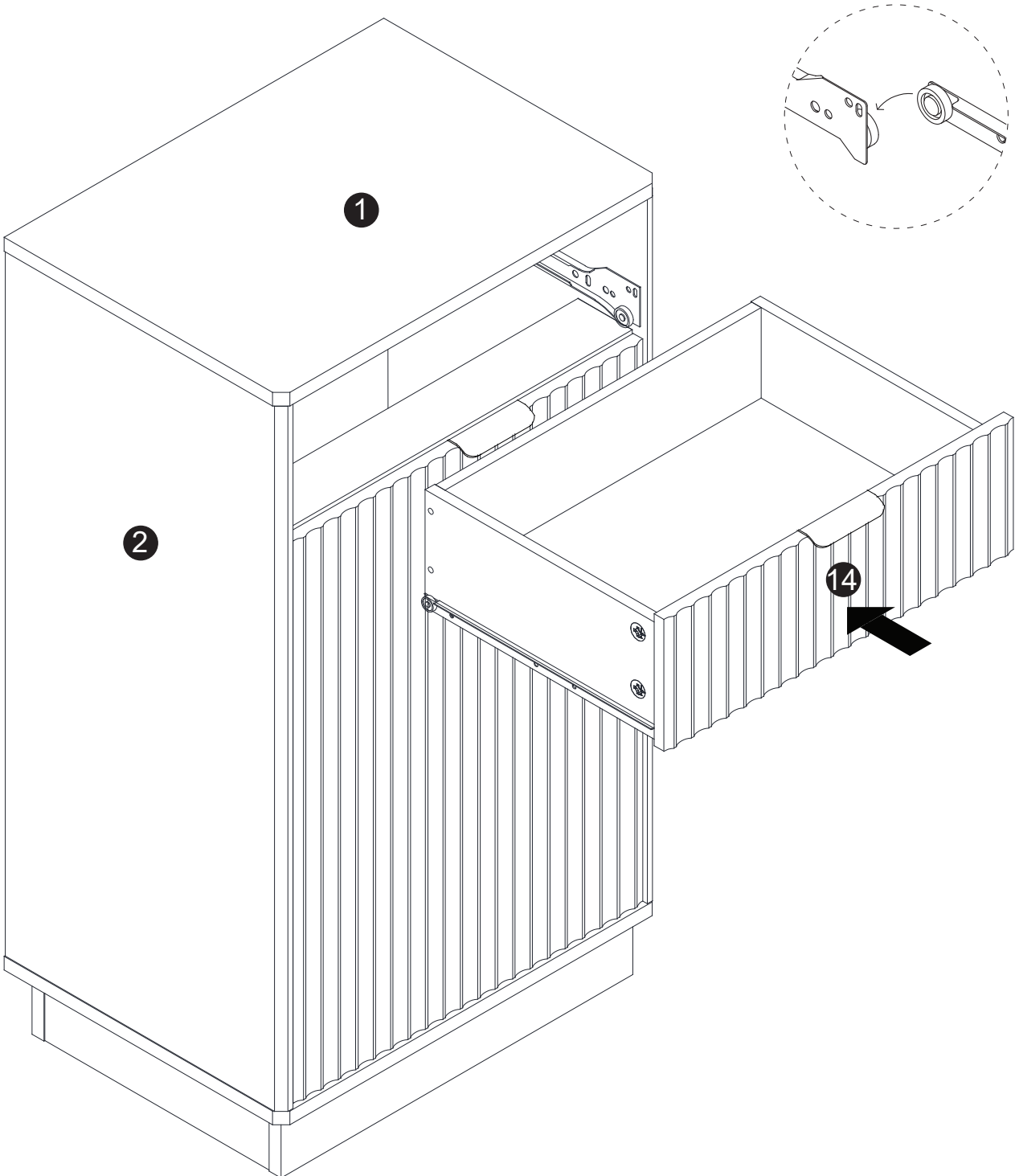


Step 17

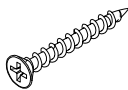
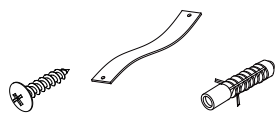

I	x12	K	x2	L	x12	
						
M						x2
						

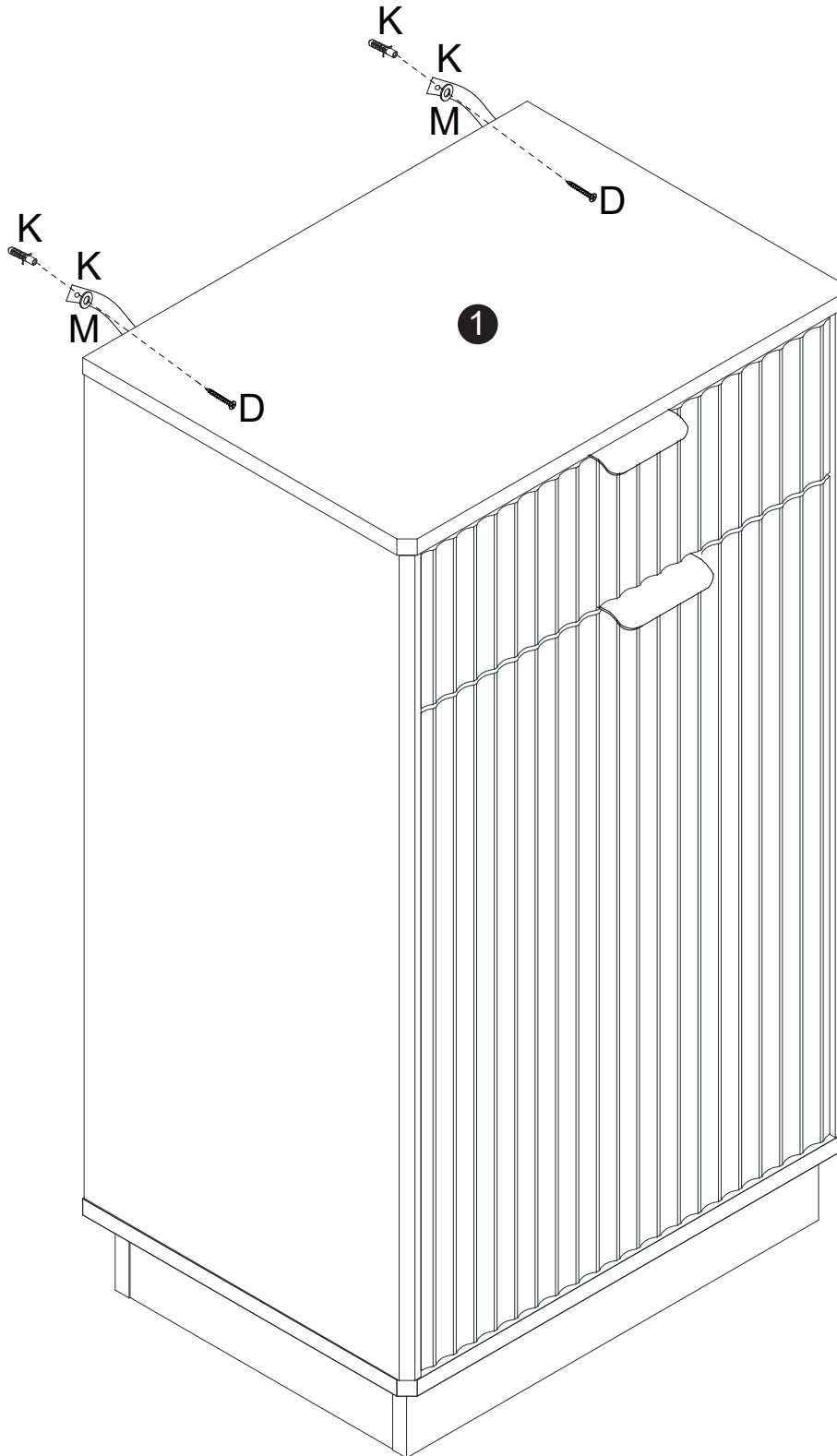


Step 18



Step 19

D	x2	K	x2	M	x2
					



Proper Use

- DO NOT** use for commercial purposes
- DO NOT** use as a step stool or stand on table
- DO NOT** put hot serving liquid directly on the table top
- DO NOT** leave spilled liquid on the table top
- DO NOT** use table if damaged
- DO NOT** exceed weight limit
- DO NOT** make temporary repairs
- DO NOT** use outdoor

Dear Customer :

Thank you for purchasing our product,we wish you satisfy our service,if you have any further questions or any quality issues, please show the belows number and don't hesitate to contact our Customer Service People: