

Baby Changing Table

Product ID. QQSCD



Scan for Support
support@garvee.com



Distributed by
GARVEE.com

V260511YVCD



WARNING - FAILURE TO FOLLOW THESE WARNINGS AND THE INSTRUCTIONS COULD RESULT IN SERIOUS INJURY OR DEATH

READ ALL INSTRUCTIONS before use of this product.

Keep instructions for future use.

Do not use the product if it is damaged, broken, or missing parts. **DO NOT** allow anyone to climb, sit on, stand on, or play on or inside of this product. It is not a seat, step stool, or ladder. **Periodically check** to make sure all the hardware remains tight. No product is a replacement for adult supervision.

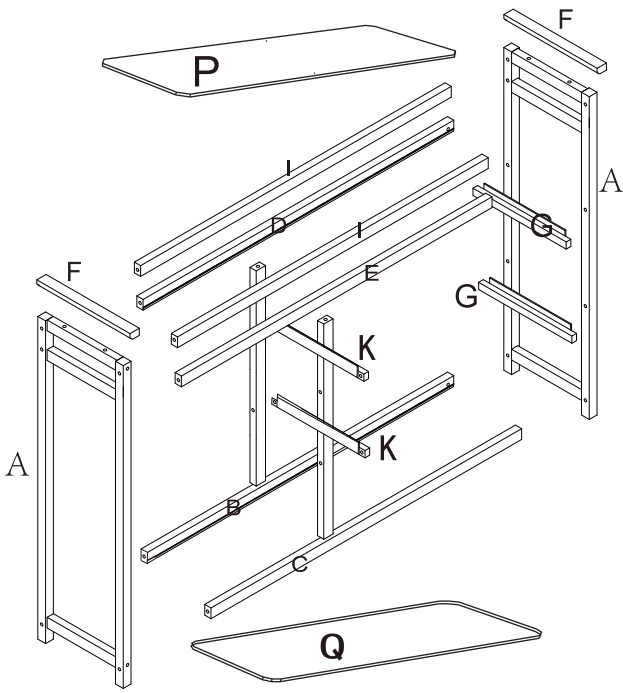


WARNING

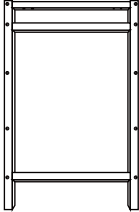










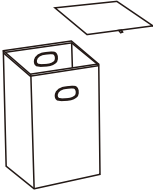
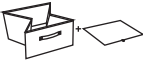









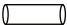

FALL HAZARD: Children have suffered serious injuries after falling from changing tables. Falls can happen quickly.

- **STAY** in arm's reach of your child.
- **READ ALL INSTRUCTIONS** before use of this changing table.
- **DO NOT** use the changing table if it is damaged, broken, or missing any parts.
- The baby's **maximum weight** for use of this product is **30 pounds** (13.64 kg).
- This manual is part of the product. **KEEP INSTRUCTIONS for future use.**
- **NEVER** use the changing table without the safety belt properly installed.
- **ALWAYS** use the safety belt and keep at least one hand on Baby at all times.
- **ALWAYS** secure the changing pad to the changing surface by placing it onto the top shelf under the safety belt as shown in this manual.
- **This product is not intended to be used as a changing table without the top safety rails, included changing pad, and safety belt installed.** Use of the product without this may result in death or serious injury to your child from falling. Follow all instructions on attaching and using the safety rails, changing pad, and safety belt.
- **NEVER** leave your baby unattended, not even for a moment, when you are changing Baby's diaper or dressing your child on the table.
- Product and/or hardware may include small parts or screws with sharp points. **Choking Hazard!** Keep unassembled parts out of the reach of small children.
- Use only the changing pad, parts, and hardware provided by Badger Basket.
- **DO NOT** allow children or pets to climb on or play on the table.
- **Periodically check** to make sure all the bolts and screws remain tight and **regularly** retighten the bolts as needed.
- Keep child's skin/body clear of the safety belt buckle when snapping/unsnapping to prevent injury.
- Buckle is not securely fastened unless you hear an audible "click" to indicate the parts have connected securely together.
- If adjusting the length of the belt, always pull extra belt slack through the safety clip so that the belt lies flat.
- **NEVER** allow child to stand up on the table due to risk of falls and injury or death.

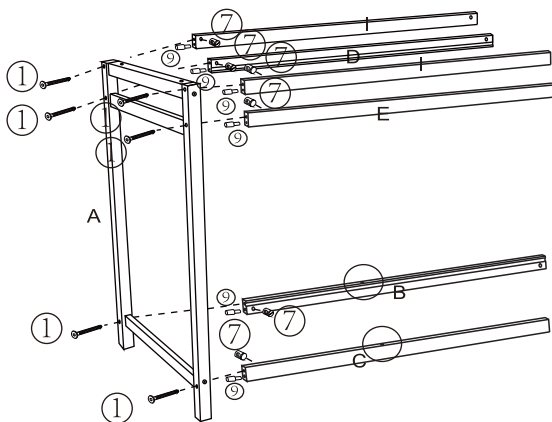
Exploded Drawing



Product Parts

 <p>A×2</p>	 <p>B×1</p>	 <p>C×1</p>	 <p>D×1</p>
 <p>E×1</p>	 <p>F×2</p>	 <p>G×2</p>	 <p>H×2</p>
 <p>I×2</p>	 <p>J×1</p>	 <p>K ×2</p>	 <p>M×1</p>
 <p>L ×3</p>	 <p>N×1</p>	 <p>O×1</p>	
 <p>P×1</p>	 <p>Q ×1</p>		
 <p>① ×12 Ø 6×58mm</p>	 <p>② ×12 Ø 6×40mm</p>	 <p>③ ×2 Ø 4×20mm</p>	
 <p>⑥ ×2</p>	 <p>⑦ ×12 Ø 6×12mm</p>	 <p>⑧ ×4</p>	 <p>⑨ ×12</p>

Step 1



① × 6
Ø 6 × 58mm

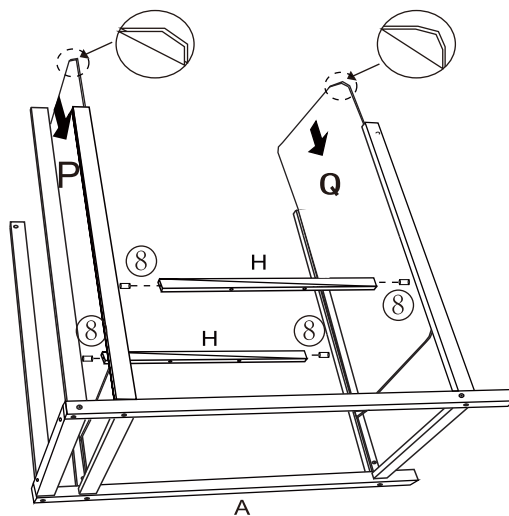


⑦
T × 6
Ø 6 × 12mm



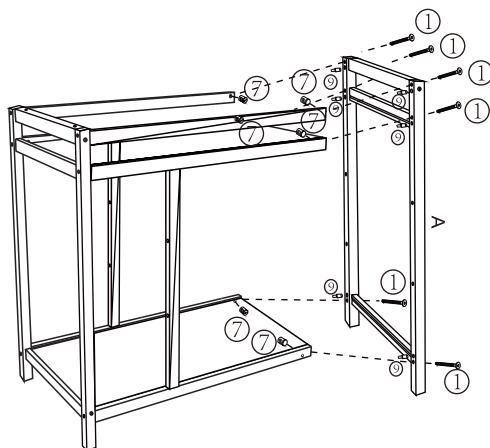
⑨ × 6

Step 2



⑧ × 4

Step 3



① × 6
Ø 6 × 58mm

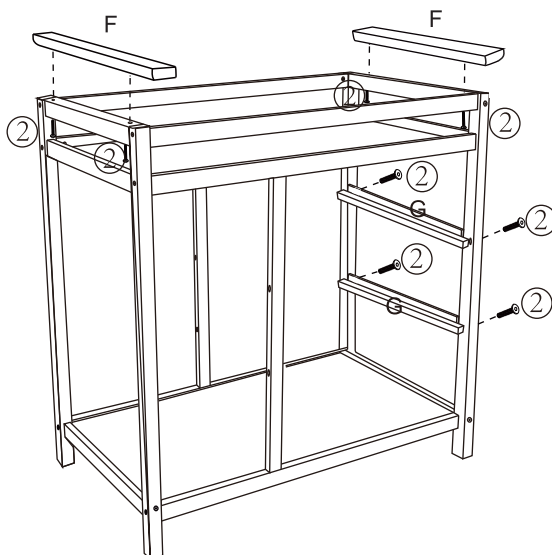


⑦
T × 6
Ø 6 × 12mm



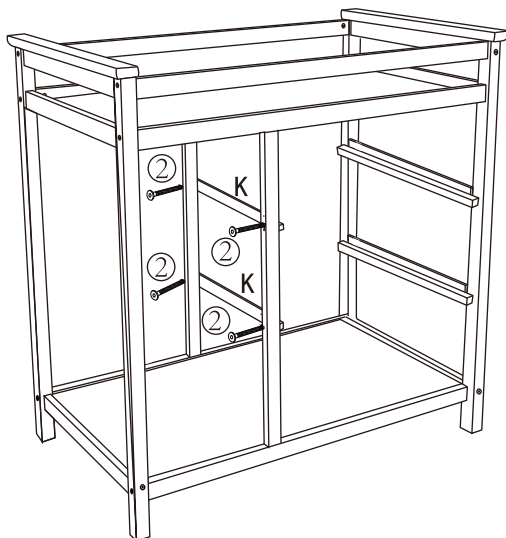
⑨ × 6

Step 4



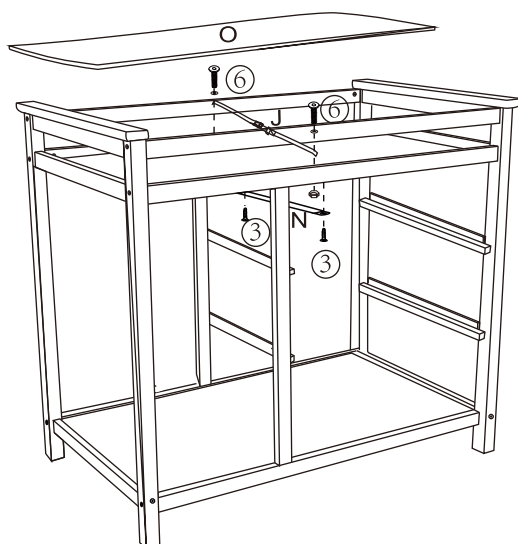
② × 8
Ø 6 × 40mm

Step 5



② × 4
Ø6×40mm

Step 6

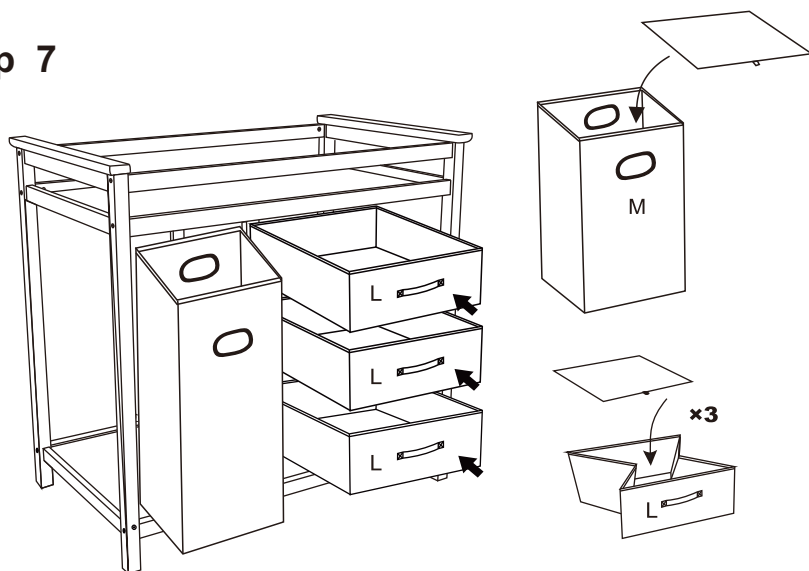


③ × 2
Ø4×20mm



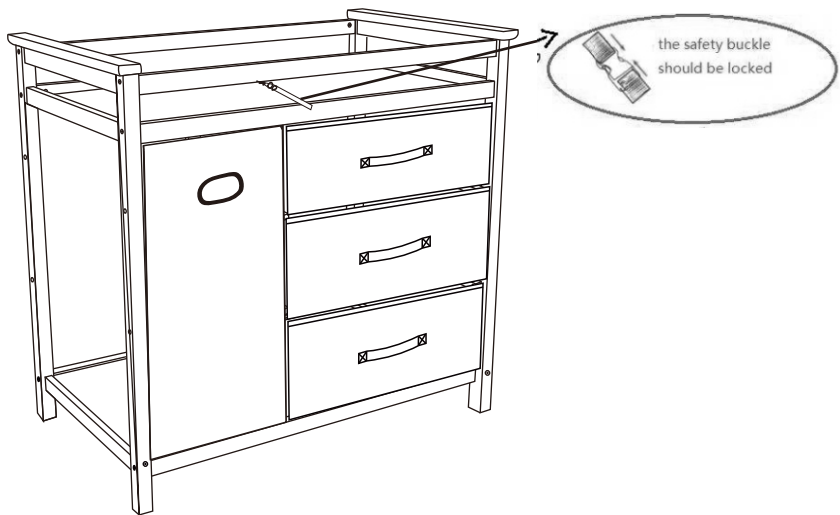
⑥ × 2

Step 7



Step 8





BUCKLE CHILD SECURELY USING THE SAFETY BELT WHENEVER CHILD IS ON THE TABLE. UNCLIP AND SEPARATE THE BUCKLE BY SQUEEZING THE TABS ON THE SIDES TO RELEASE THE BUCKLE TONGUE FROM THE BUCKLE. PLACE CHILD ONTO CHANGING SURFACE AND SNAP THE BUCKLE AND BUCKLE TONGUE BACK TOGETHER. KEEP CHILD'S SKIN/BODY CLEAR OF THE BUCKLE WHEN SNAPPING AND UNSNAPPING TO PREVENT INJURY. BUCKLE IS NOT SECURELY FASTENED UNLESS YOU HEAR AN AUDIBLE "CLICK" TO INDICATE THE PARTS HAVE CONNECTED SECURELY TOGETHER.

NEVER ALLOW CHILD TO STAND UP ON THE TABLE DUE TO RISK OF FALLS AND INJURY OR DEATH. NEVER USE THE TABLE WITHOUT THE SAFETY BELT AND METAL SUPPORT BAR IN PLACE.

ALWAYS SECURE THE CHANGING PAD TO THE CHANGING SURFACE BY PLACING IT ONTO THE TOP SHELF AND ENSURING THAT IT'S UNDERNEATH, NOT ON TOP OF, THE SAFETY BELT.

Limited Liability & Warning

No Unauthorized Modifications/Repairs: Do not modify or attempt to repair this product unless you are an authorized technician. Unauthorized actions may create hazards and void all warranties

Misuse & Non-Compliance: We are not liable for any injury, damage, or loss resulting from:

- (a) misuse, abuse, neglect, or improper installation;
- (b) failure to follow instructions or safety precautions;
- (c) use of unauthorized parts/accessories;
- (d) unauthorized modifications/repairs;
- (e) accidents, natural disasters, or external causes.

If you doubt any step of installation or operation, stop using the product and contact authorized service or the customer support.

LIMITACIÓN DE RESPONSABILIDAD Y ADVERTENCIA

Modificaciones o Reparaciones No Autorizadas: NO modifique ni intente reparar este producto a menos que sea un técnico autorizado. Las acciones no autorizadas pueden generar riesgos y anularán todas las garantías.

Uso Indebido e Incumplimiento: No asumimos responsabilidad alguna por lesiones, daños o pérdidas que resulten de:

- (a) uso indebido, abuso, negligencia o instalación incorrecta;
- (b) incumplimiento de las instrucciones o precauciones de seguridad;
- (c) uso de piezas o accesorios no autorizados;
- (d) modificaciones o reparaciones no autorizadas;
- (e) accidentes, desastres naturales o causas externas.

Si tiene dudas sobre algún paso de la instalación o el funcionamiento, deje de usar el producto y póngase en contacto con el servicio técnico autorizado o con atención al cliente.

GARVEE
support@garvee.com