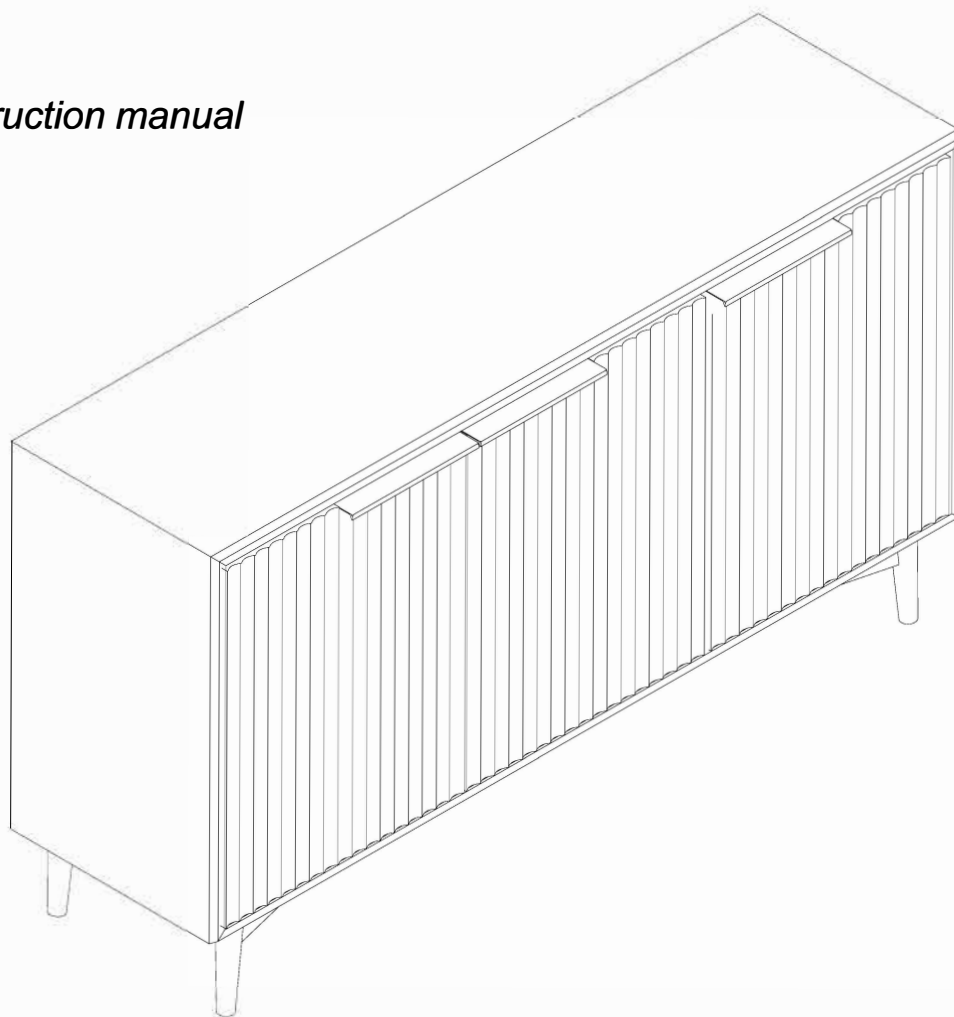


# 3 Door Sideboard BLACK / GREY

*Instruction manual*

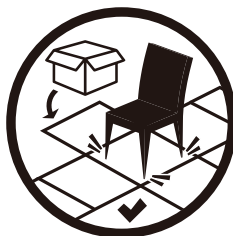




# SAFETY AND CARE ADVICE

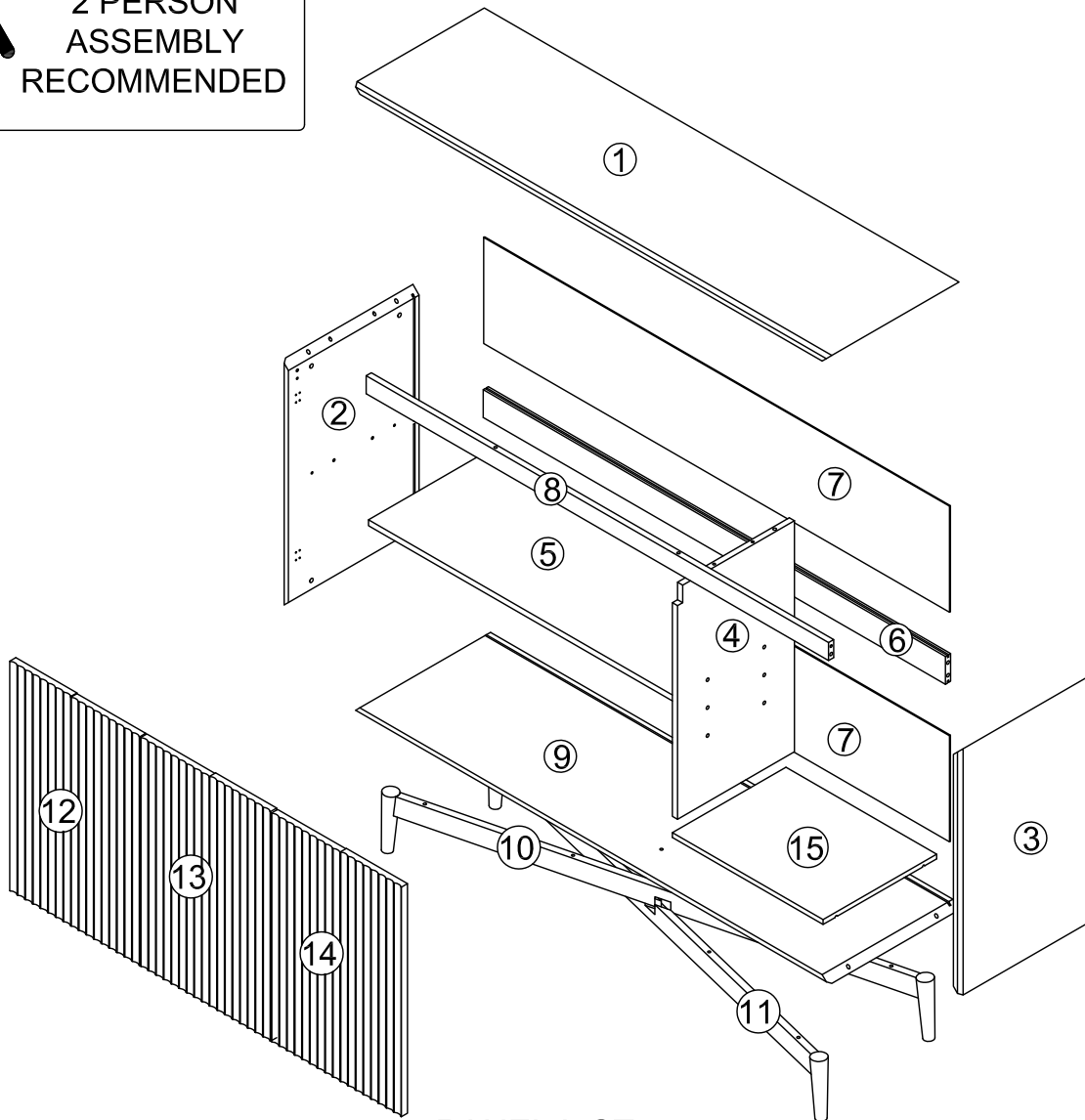
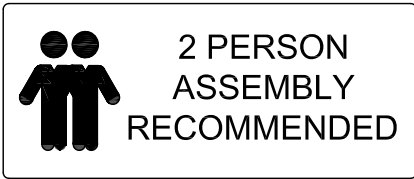
PLEASE READ THESE INSTRUCTIONS CAREFULLY AND KEEP FOR FUTURE

- *Check you have all the components and tools listed on pages 2 or 3.*
- *Remove all fittings from the plastic bags and separate them into their groups.*
- *Keep children and animals away from the work area, small parts could choke if swallowed.*
- *Make sure you have enough space to layout the parts before starting.*
- *Do not stand or put weight on the product, this could cause damage.*
- *Assemble on a soft level surface to avoid damaging the unit or your floor (use opened out unit carton).*
- *We do not recommend the use of power drill/drivers for inserting screws, as this could damage the unit. Only use hand screwdrivers.*



# COMPONENTS — PANELS

Please check you have all the fittings listed below:

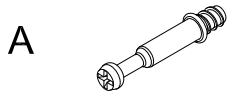


## PANEL LIST

PACK 1/2		PACK 2/2	
1	Top Panel	x1	
5	Fixed Shelf	x1	
6	Back Rail	x1	
7	Back Panel	x2	
8	Top Rail	x1	
9	Bottom Panel	x1	
10	Upper Base Frame	x1	
11	Lower Base Frame	x1	
		2	Left Side Panel
		3	Right Side Panel
		4	Partition Panel
		12	Left Door
		13	Middle Door
		14	Right Door
		15	Adjustable Shelf
			x1

# COMPONENTS — FITTINGS

Please check you have all the fittings listed below:



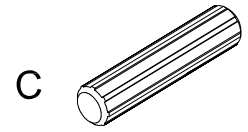
A

Peg M6\*35mm x12



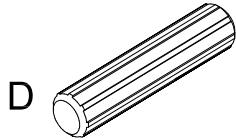
B

Lock x12



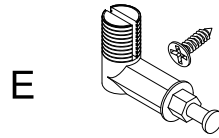
C

Dowel M6\*30mm x20



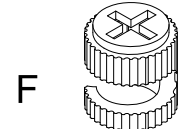
D

Dowel M8\*30mm x4



E

Peg M6\*35mm x8



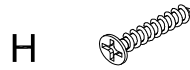
F

Lock x8



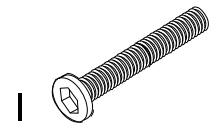
G

Back buckle x12



H

Screw M3\*14mm x12



I

Bolt M6\*50mm x4



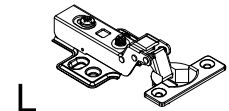
J

Screw M3.5\*12mm x9



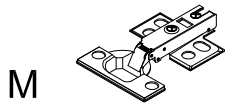
K

Screw M4\*12mm x36



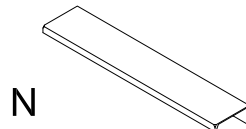
L

Full Overly Hinge x4



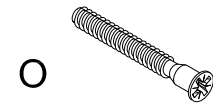
M

Half Overly Hinge x2



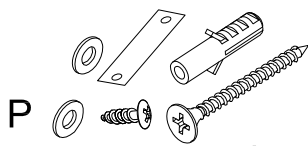
N

Handle x3



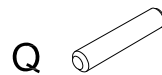
O

Screw M5\*40mm x3



P

Anti-tipping assembly x2



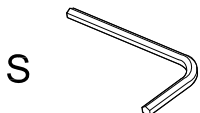
Q

Shelf Holder x4



R

Felt Mat x4



S

Allen Wrench x1

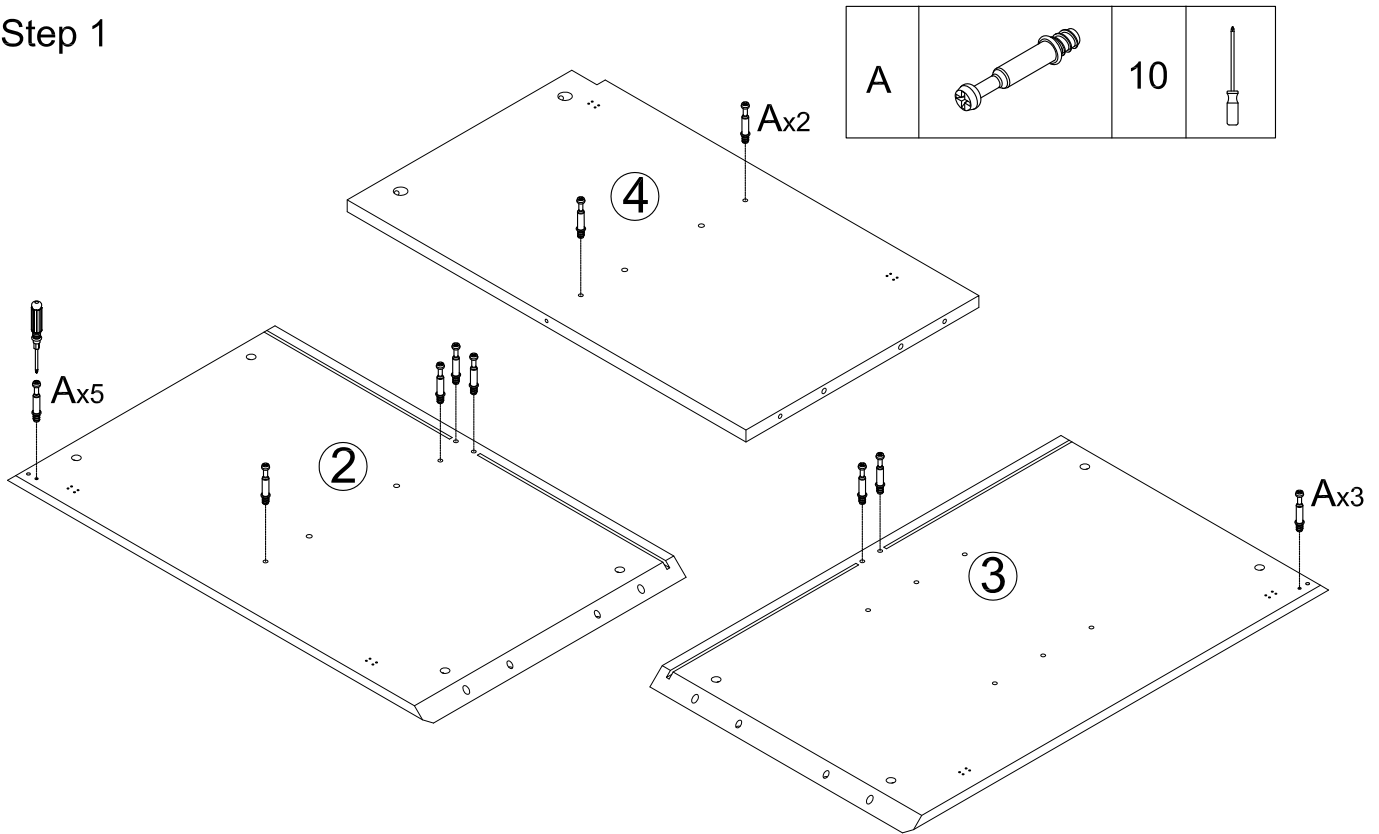
TOOLS NEEDED



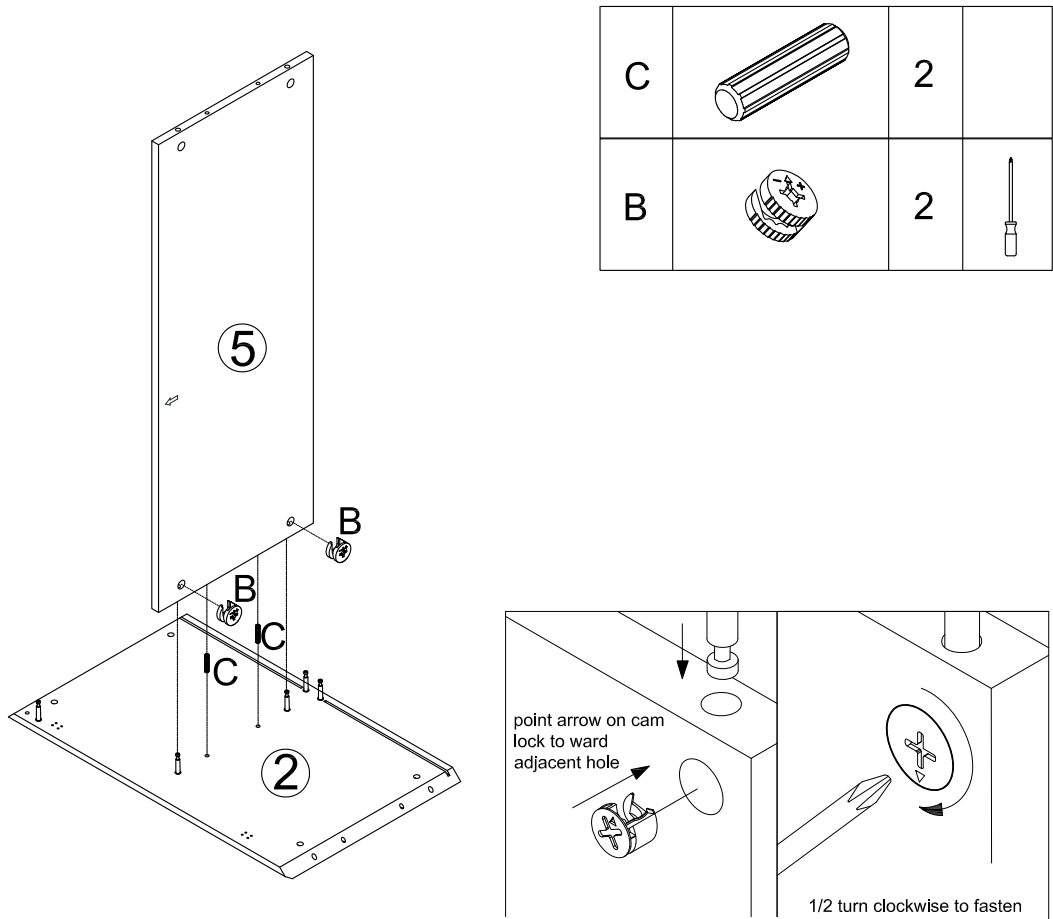
Phillips Screwdriver x1

# ASSEMBLY INSTRUCTIONS

## Step 1

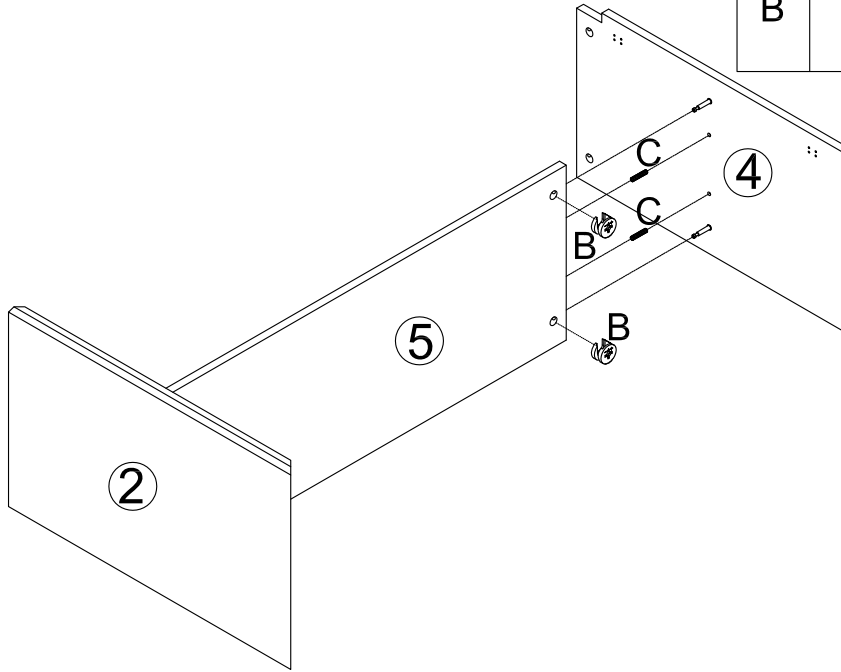


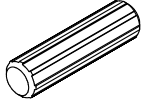


## Step 2



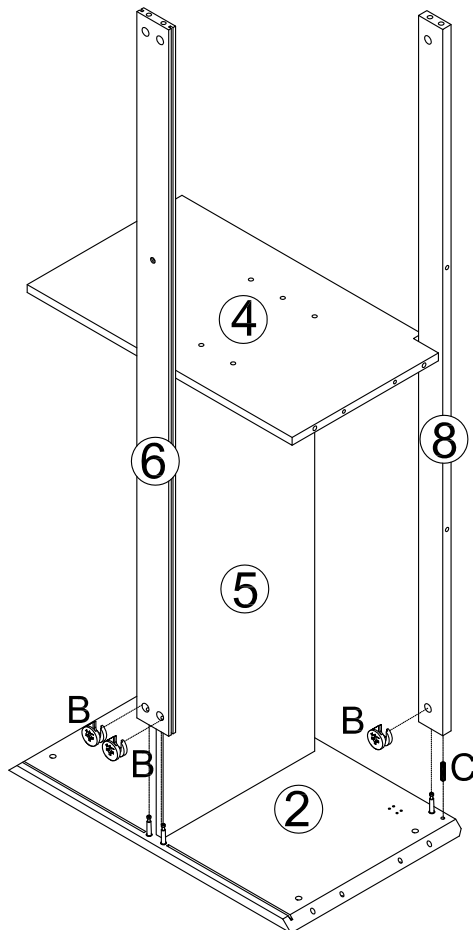
# ASSEMBLY INSTRUCTIONS

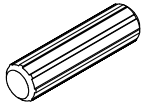


Step 3



C		2	
B		2	



Step 4

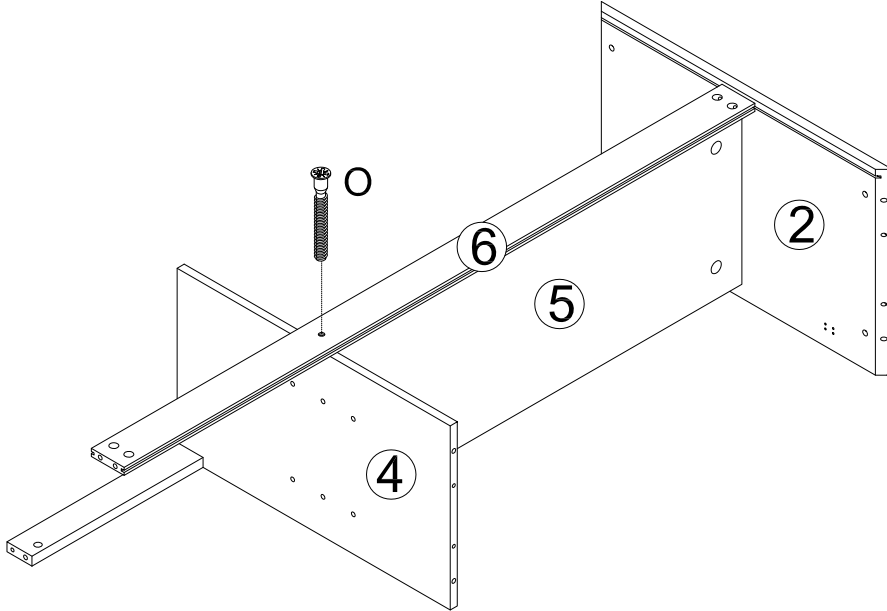


C		1	
B		3	

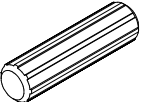


# ASSEMBLY INSTRUCTIONS

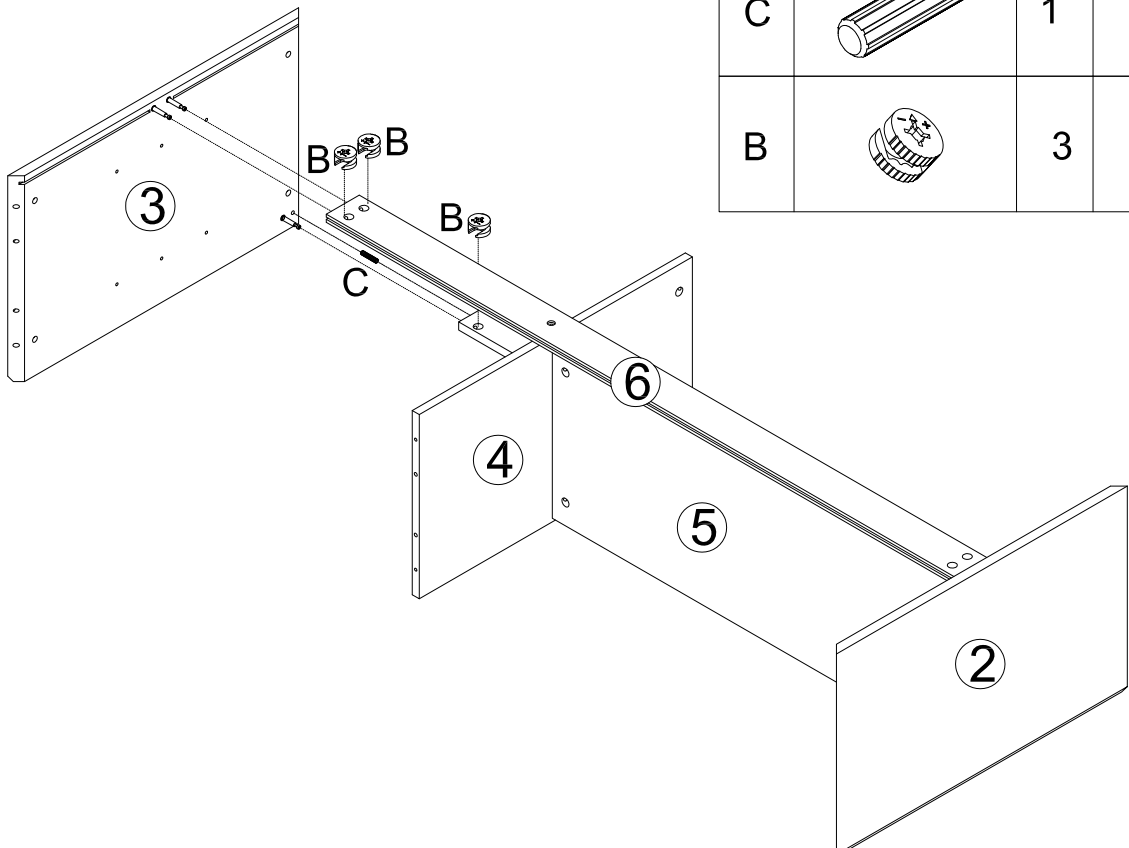
Step 5

O		1	
---	---	---	---



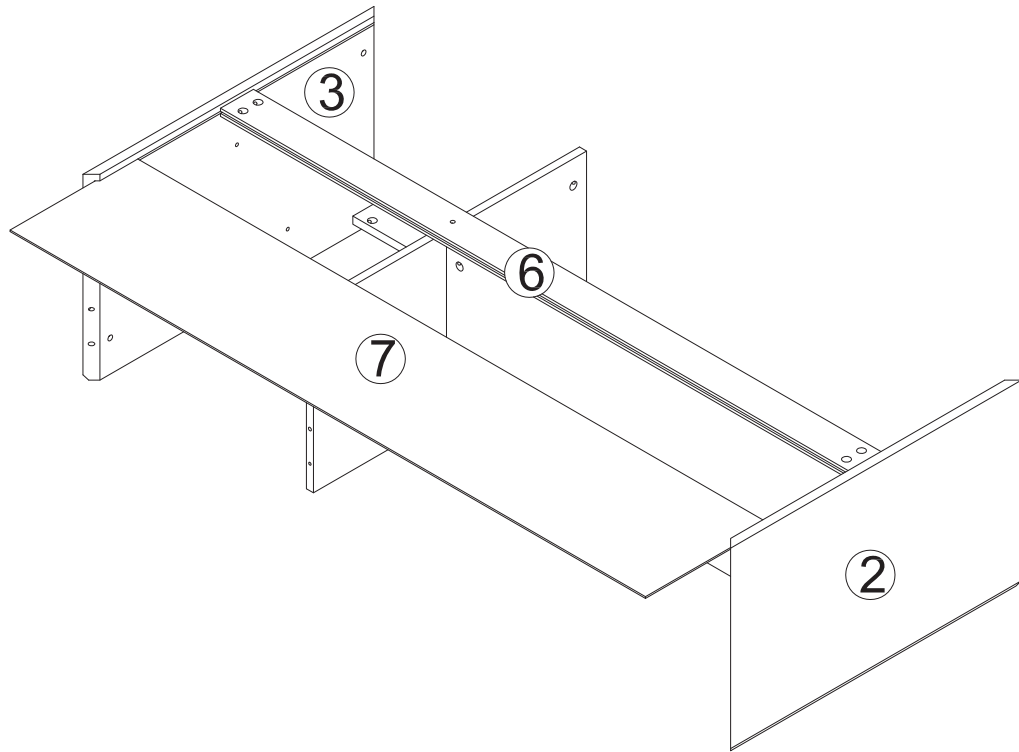
Step 6

C		1	
B		3	

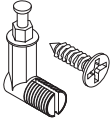
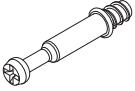



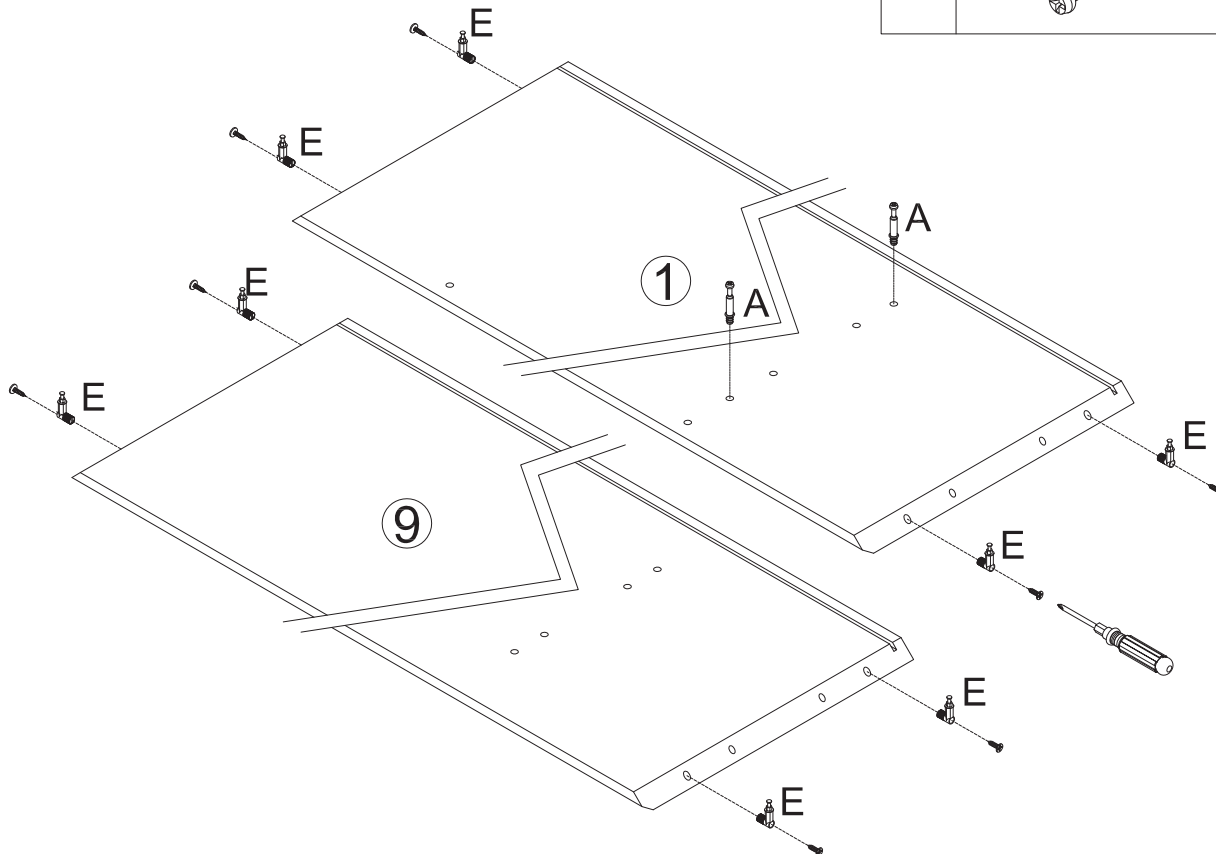
# ASSEMBLY INSTRUCTIONS

Step 7

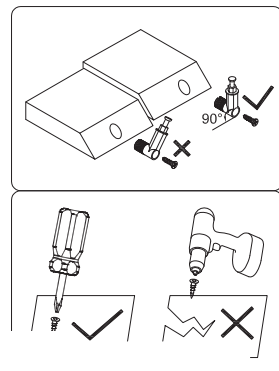


Step 8

E		8	
A		2	

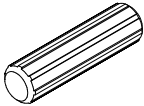


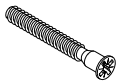



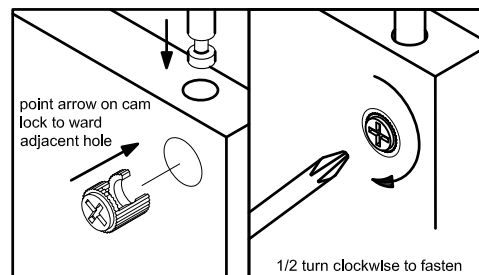
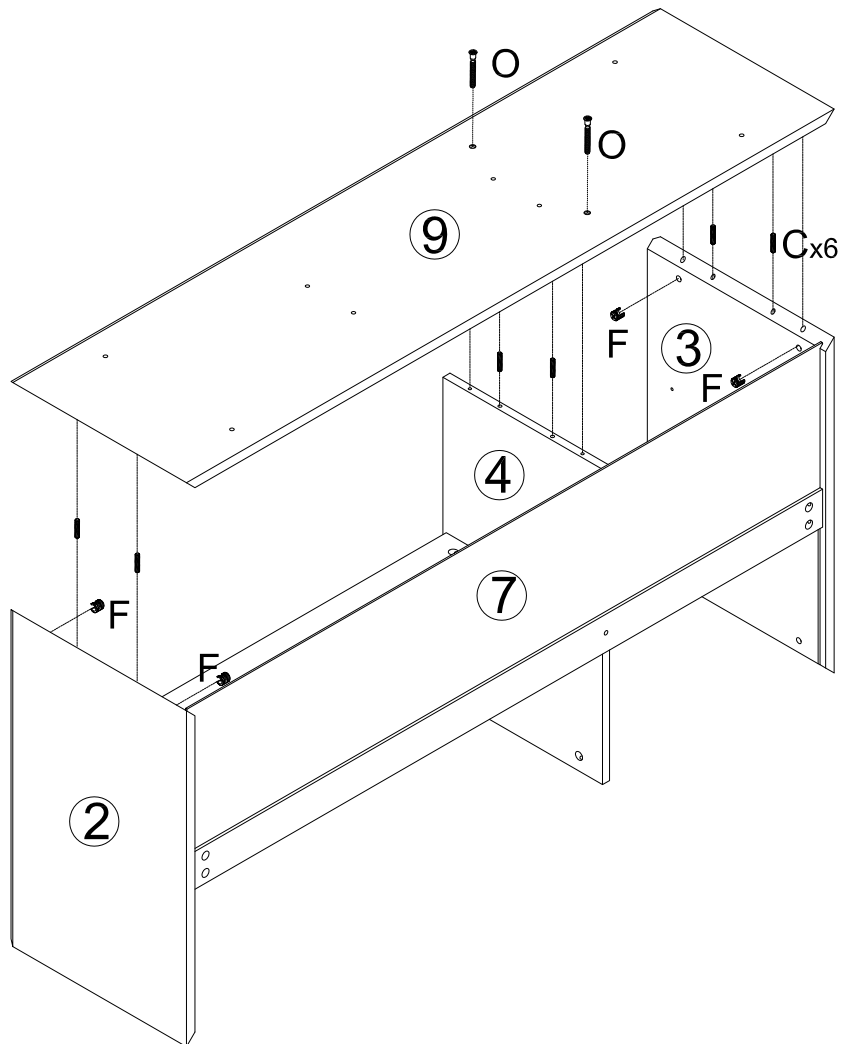
**Warning:**  
Don't use power tools when screwing.  
Ensure pegs straight when screwing.



# ASSEMBLY INSTRUCTIONS

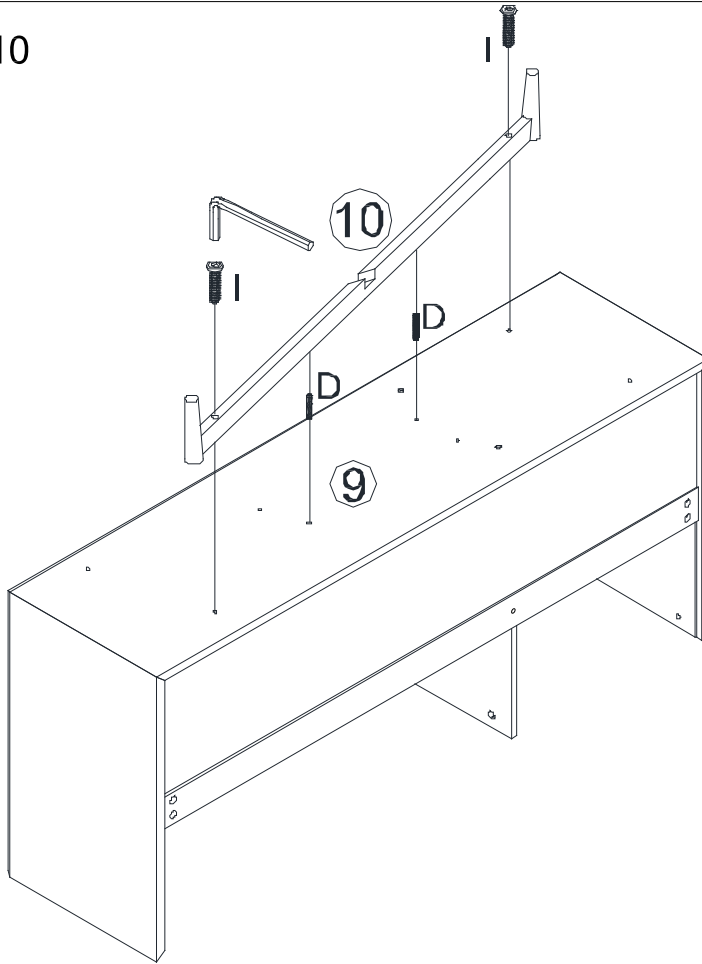
## Step 9

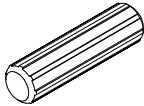
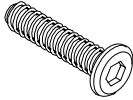

C		6	
F		4	
O		2	



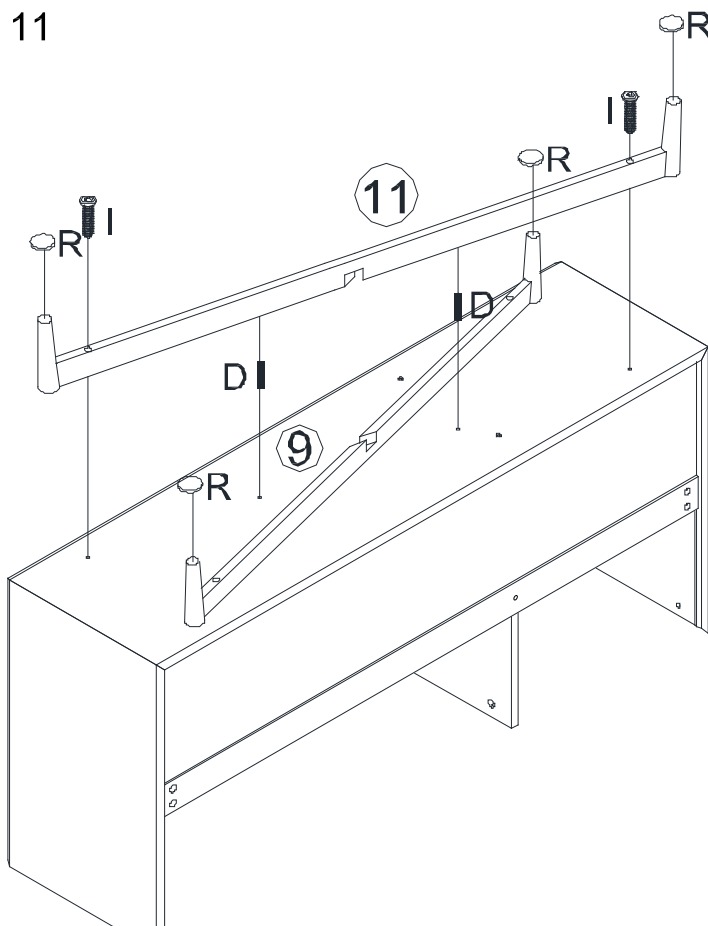
# ASSEMBLY INSTRUCTIONS

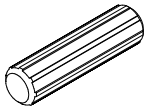
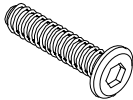


Step 10



D		2	
I		2	

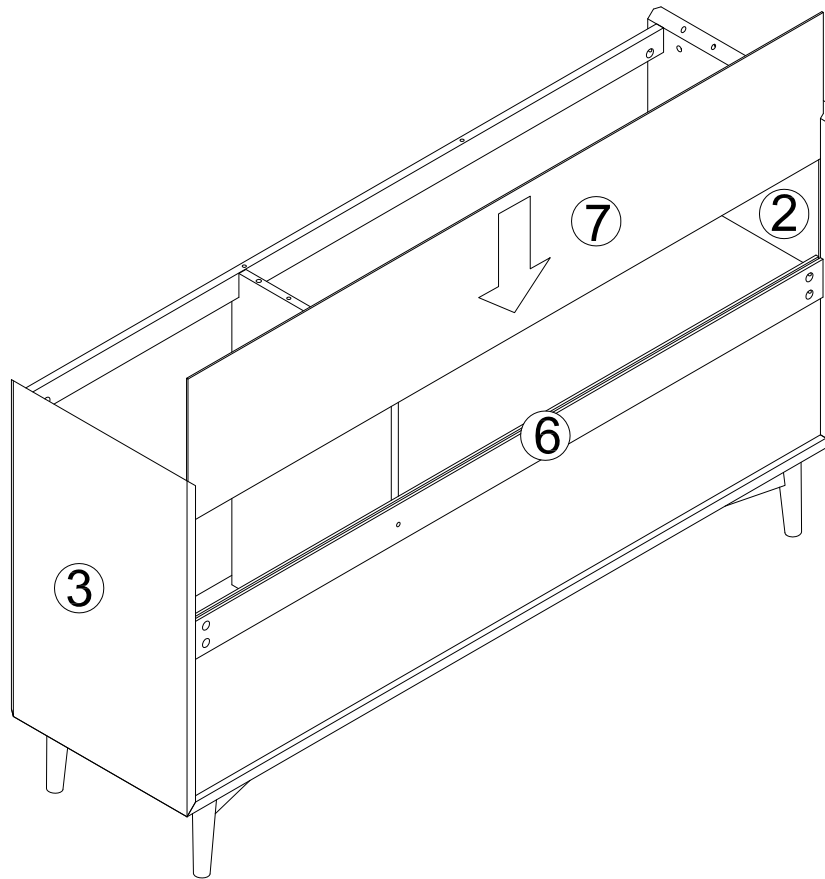
Step 11



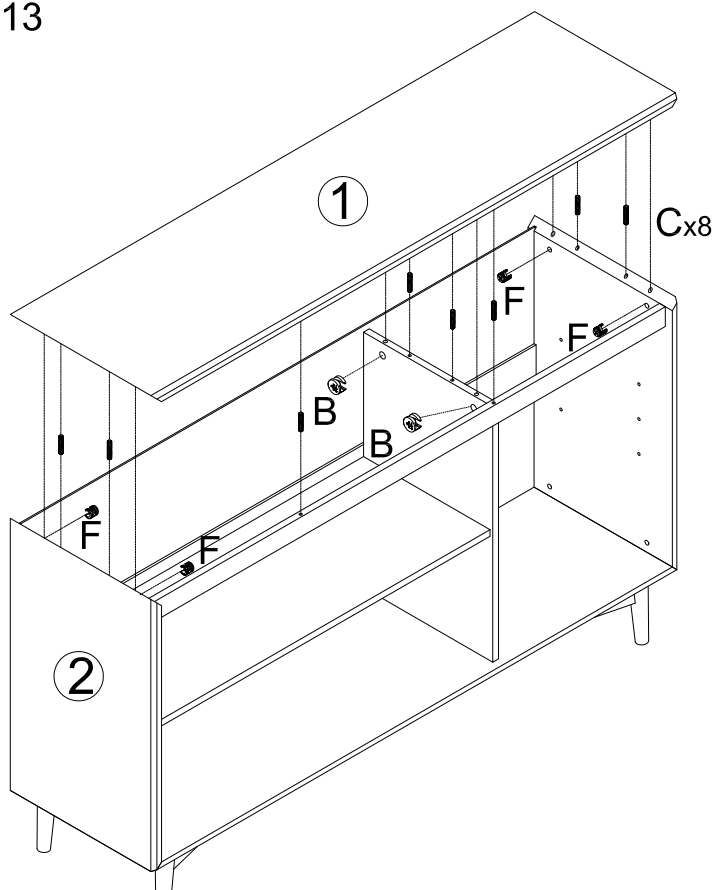
D		2	
I		2	
R		4	

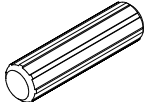




# ASSEMBLY INSTRUCTIONS

## Step 12



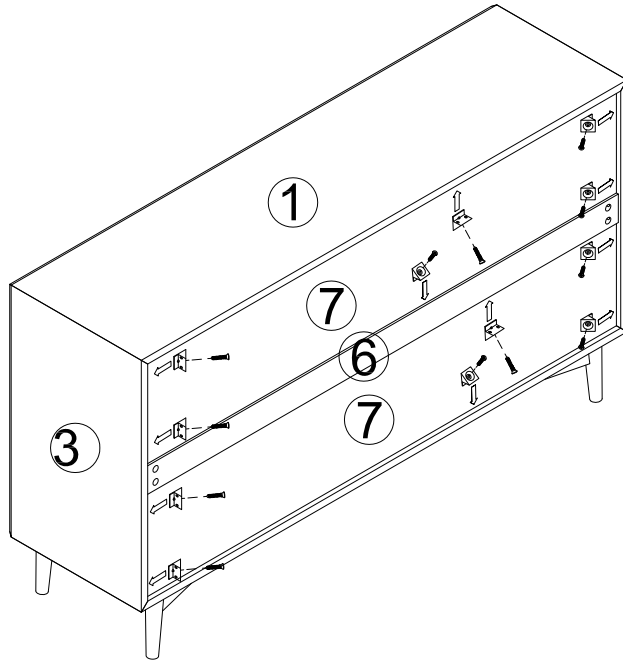
## Step 13

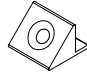
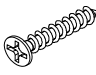



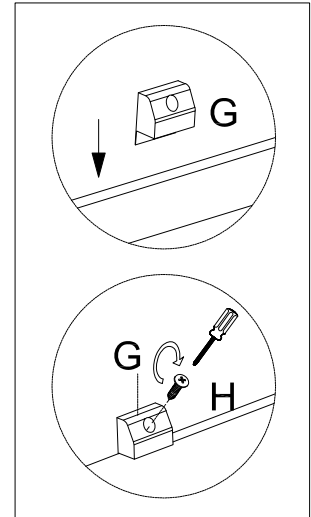
C		8	
F		4	
B		2	

# ASSEMBLY INSTRUCTIONS

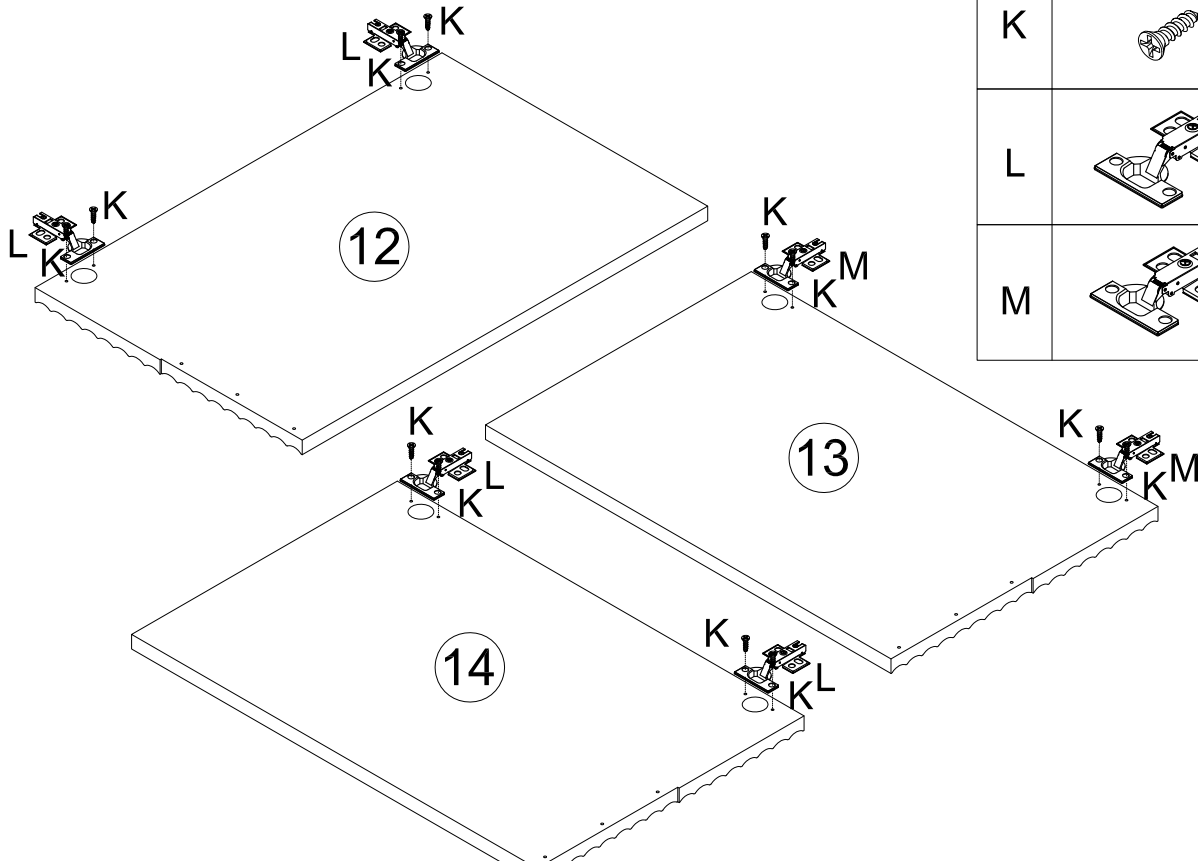
## Step 14



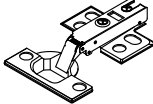
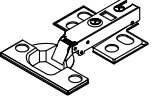


G		12	
H		12	



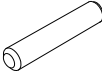
## Step 15

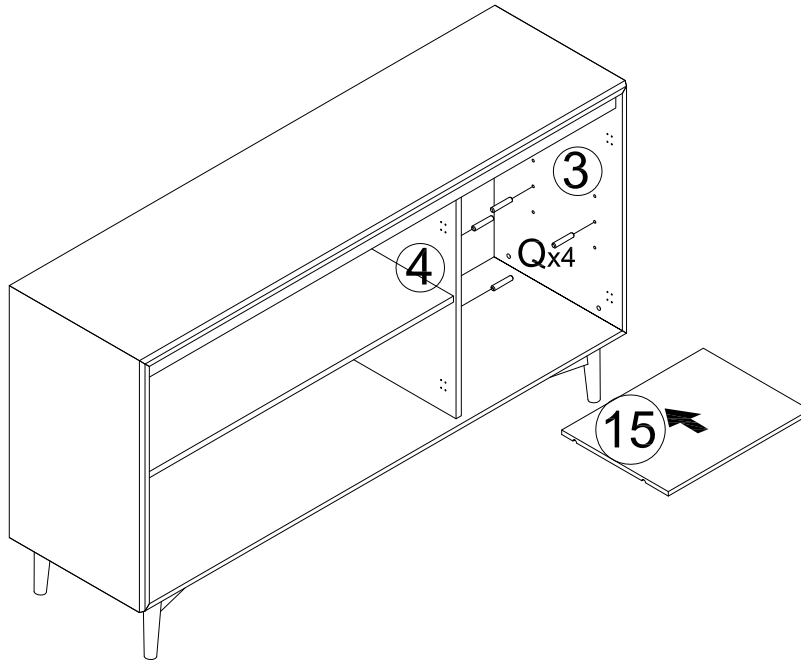


K		12	
L		4	
M		2	

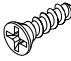

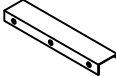


# ASSEMBLY INSTRUCTIONS

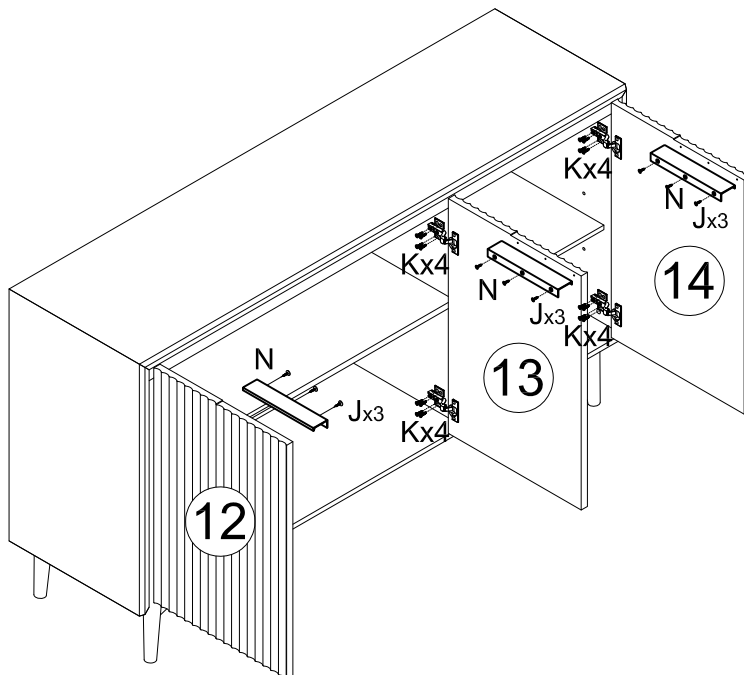
## Step 16

Q		4	
---	---	---	--



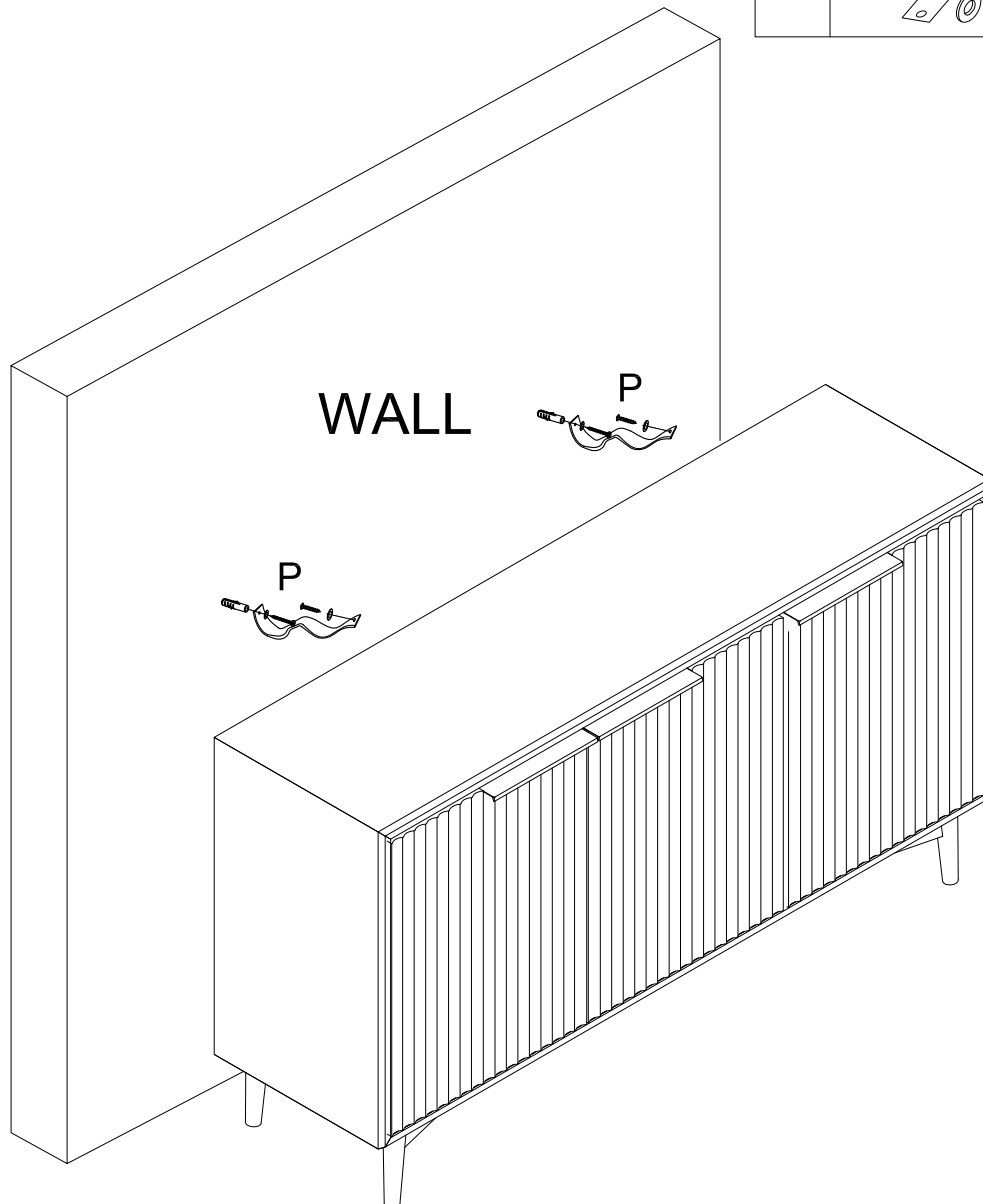
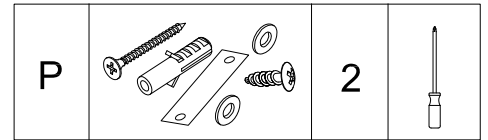
## Step 17

K		24	
N		3	
J		9	



# ASSEMBLY INSTRUCTIONS

Step 18



## Warning !

Wall Plug and screws are not provided.  
If you are in any doubt about the  
correct fixings for your wall,  
seek professional advice.

# ASSEMBLY INSTRUCTIONS

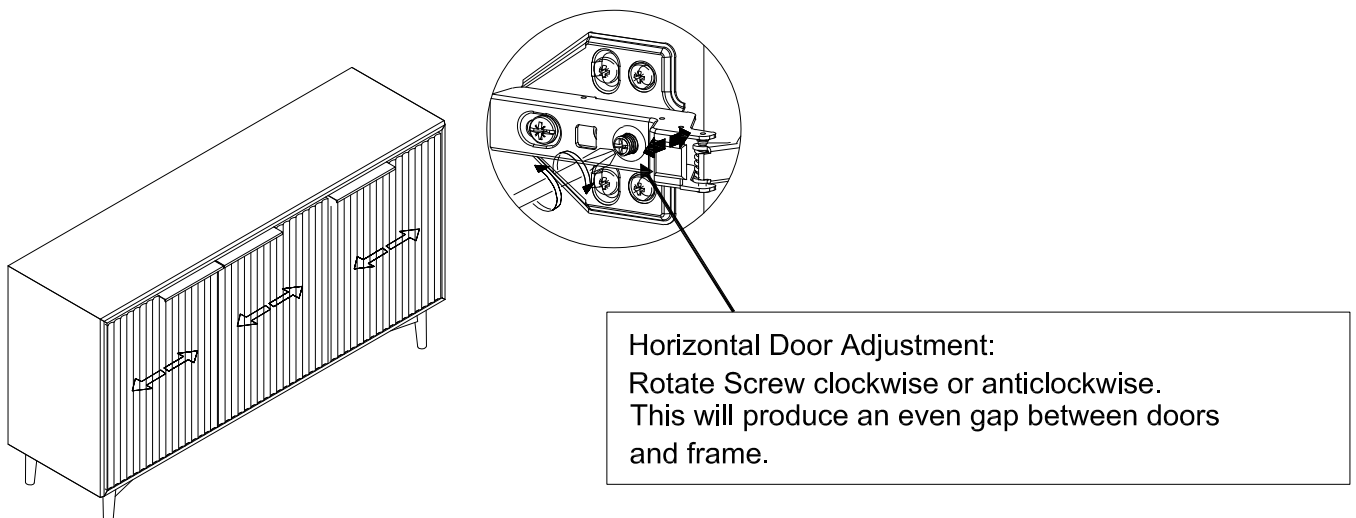
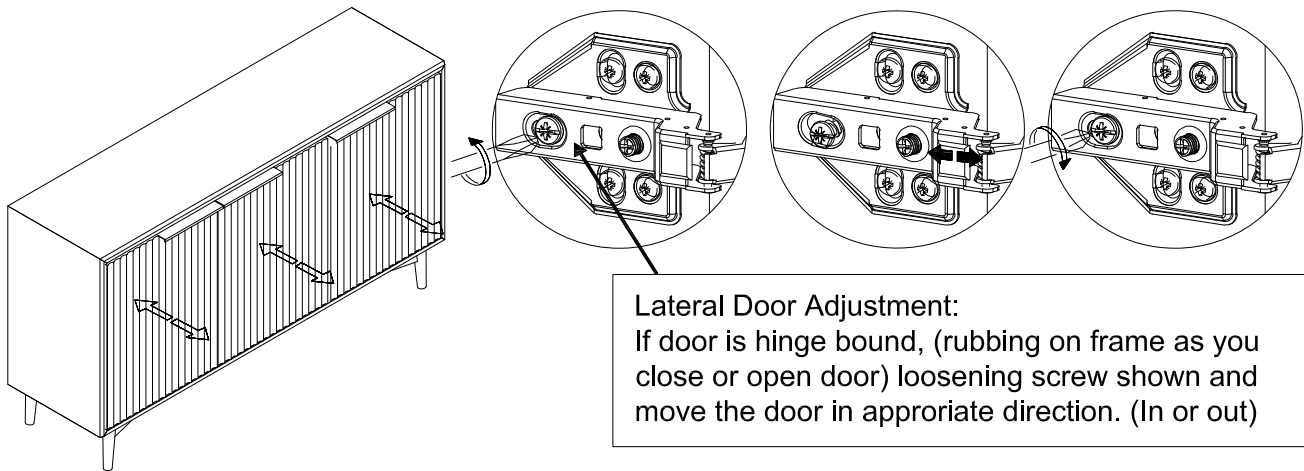
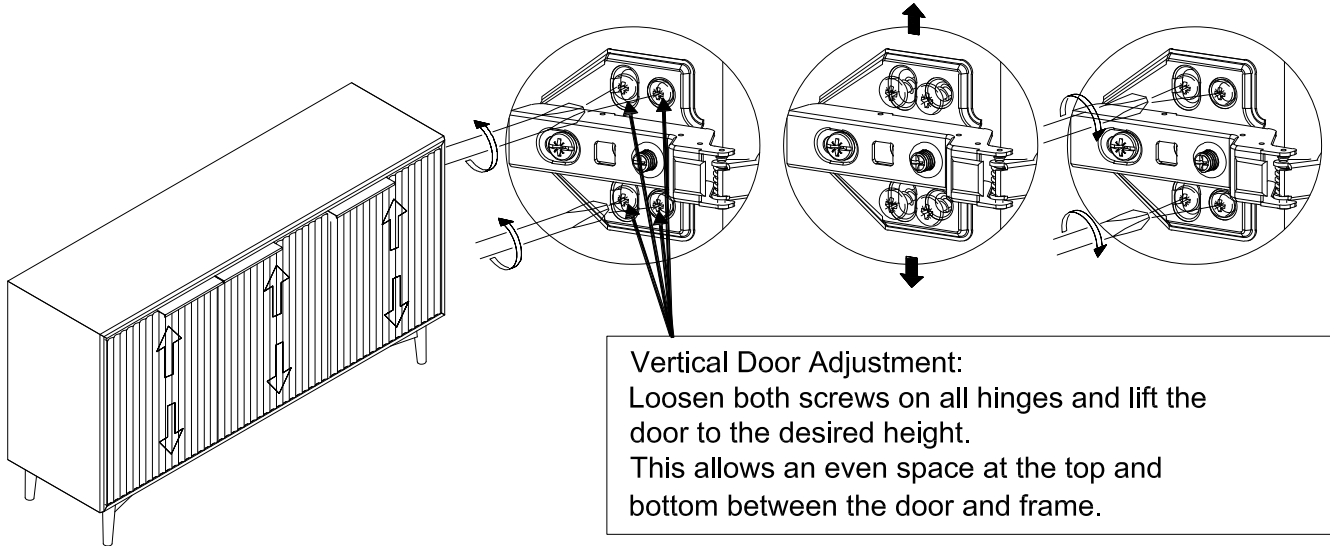
## Step 19



### Customer Attention:

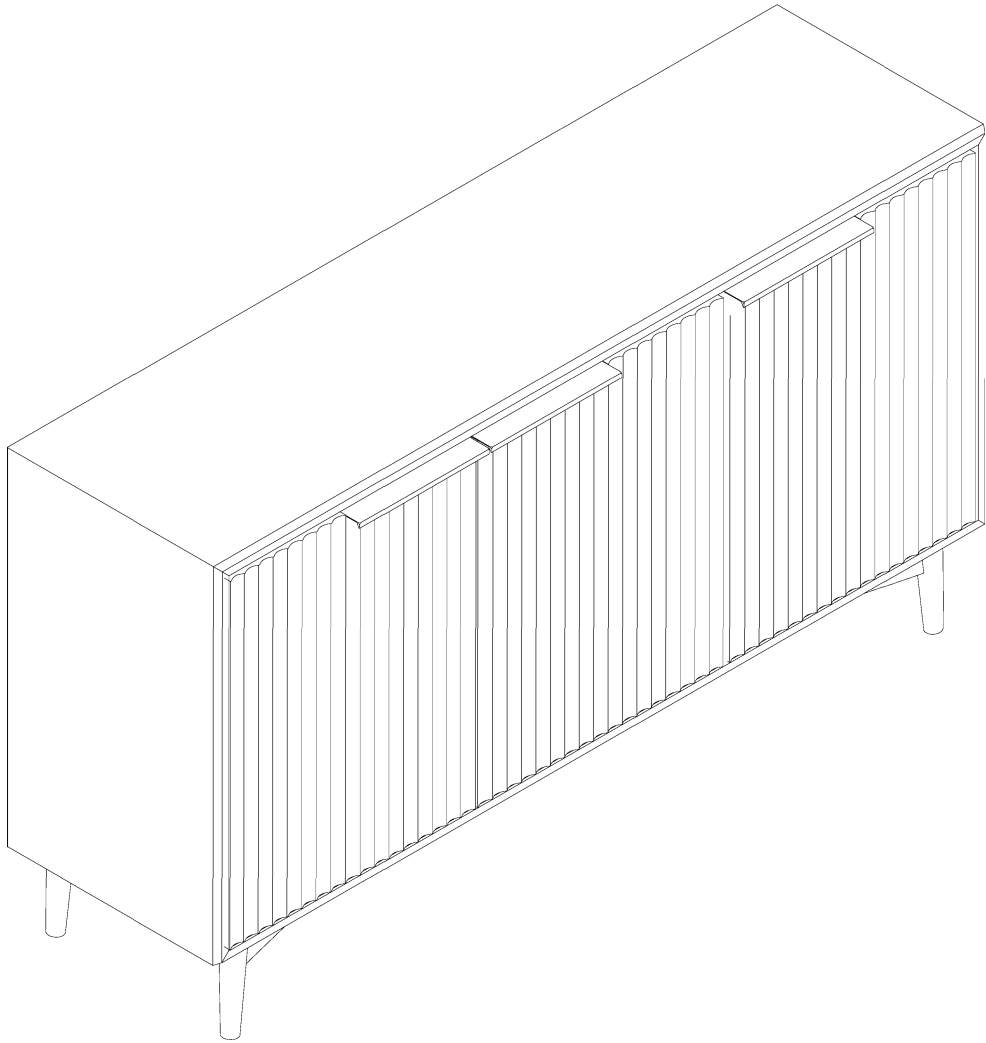
To align doors and control gap in between doors. Product doors may need adjusting during and after assembly.

This can be done by adjusting appropriate screws. See below illustration.



# ASSEMBLY INSTRUCTIONS

---



**Congratulations.**  
Now you have finished assembling the product.

# A Guide to - Wall Mounting & Fixings

## Important note:

If plastic wall plugs are supplied with your product:



- these are only suitable for use in masonry walls.

If you are in any doubt about the correct wall plugs for your wall, seek professional advice.

Failure of the product due to using incorrect fixings is the responsibility of the installer.



**Important:** When drilling into walls always check that there are no hidden wires or pipes etc.

Make sure that the screws and wall plugs being used are suitable for supporting your unit. Consult a qualified person if you are unsure.

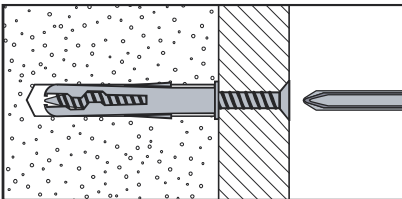
## Hints:

- 1: **General rule:** ⚠ Always use a larger screw and wall plug if you are not sure.
- 2: Ensure you use the recommended drill bit to match the wall plug and hole size.
- 3: Ensure you drill the hole horizontally, do not force the drill or enlarge the hole.
- 4: Take extra care when drilling high walls, ceilings and ceramic tiles. Ensure wall plugs are inserted beyond the thickness of the ceramic tiles to avoid the tiles splitting or cracking.
- 5: Ensure wall plugs are well fitted and are a tight fit in the drilled hole.

## Types of walls

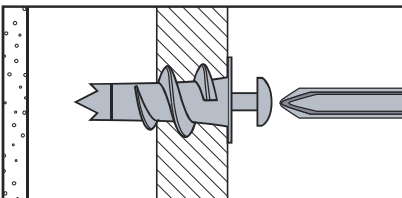
You can use one of the following types of wall plug if your walls are made of brick, breeze block, concrete, stone or wood.

### No.1 "General Purpose" wall plug



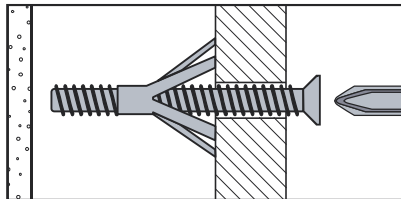
Generally aerated blocks should not be used to support heavy loads, use a specialist fitting in this case. For light loads, general purpose wall plugs can be used.

### No.2 "Plasterboard" wall plug



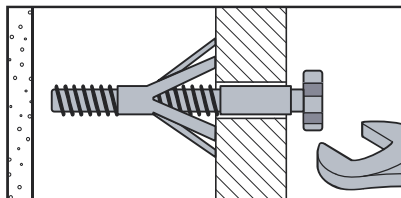
For use when attaching light loads on to plasterboard partitions.

### No.3 "Cavity Fixing" wall plug



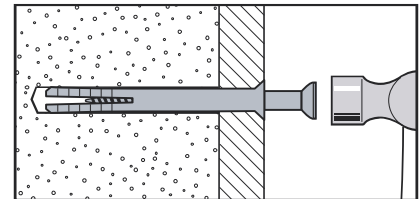
For use with plasterboard partitions or hollow wooden doors.

### No.4 "Cavity Fixing-Heavy Duty" wall plug



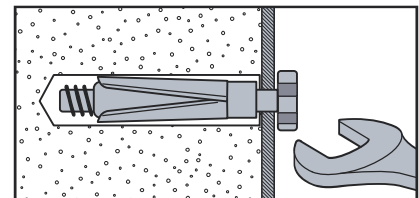
For use when fitting or supporting heavy loads such as shelving, wall cabinets and coat racks.

### No.5 "Hammer Fixing" wall plug



For use with walls stuck with plasterboard. The hammer fixing allows it to be fixed to the wall rather than the plasterboard. Always check the fixing is secure to the retaining wall.

### No.6 "Shield Anchor" wall plug Heavy loads



For use with heavier loads such as TV & HiFi speakers and satellite dishes etc.



## Care & Maintenance

**Safety:** Always check the fitting and location to ensure your safety in and around the home.

**Fitting:** From time to time check the fitting to ensure the wall plugs or screws do not become loose.