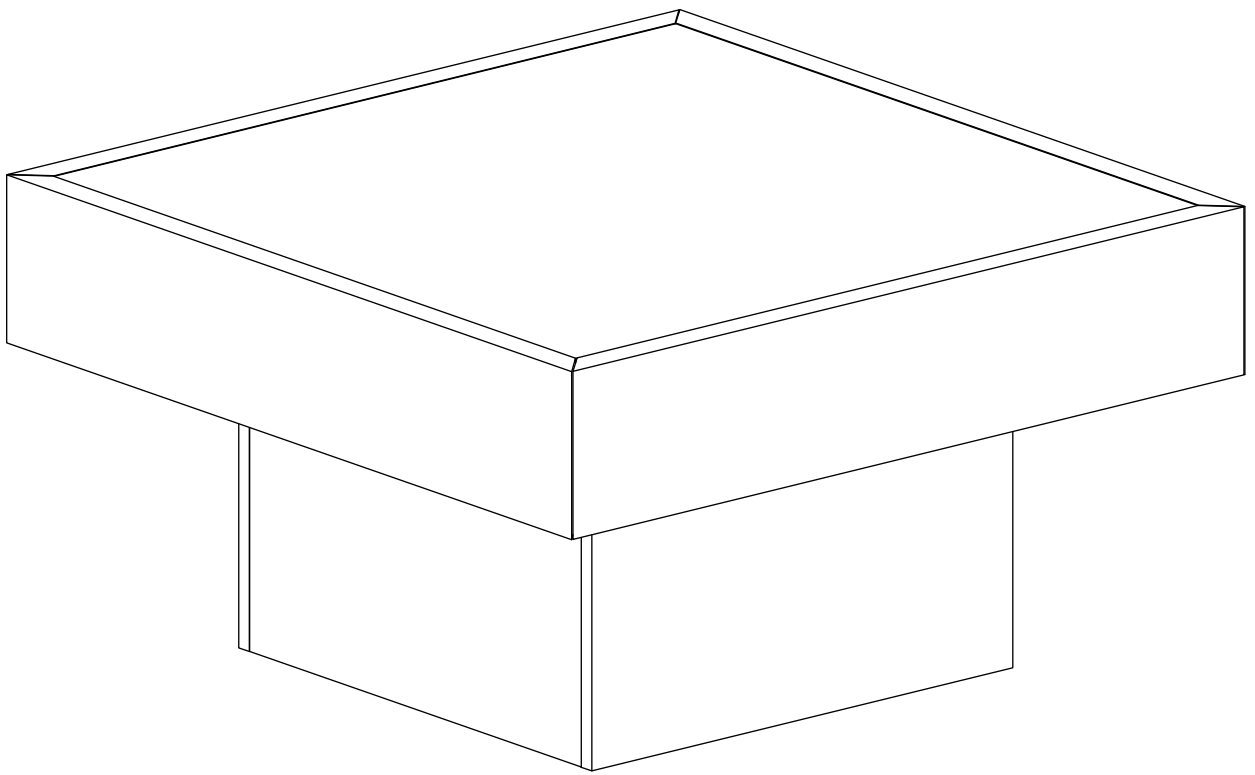
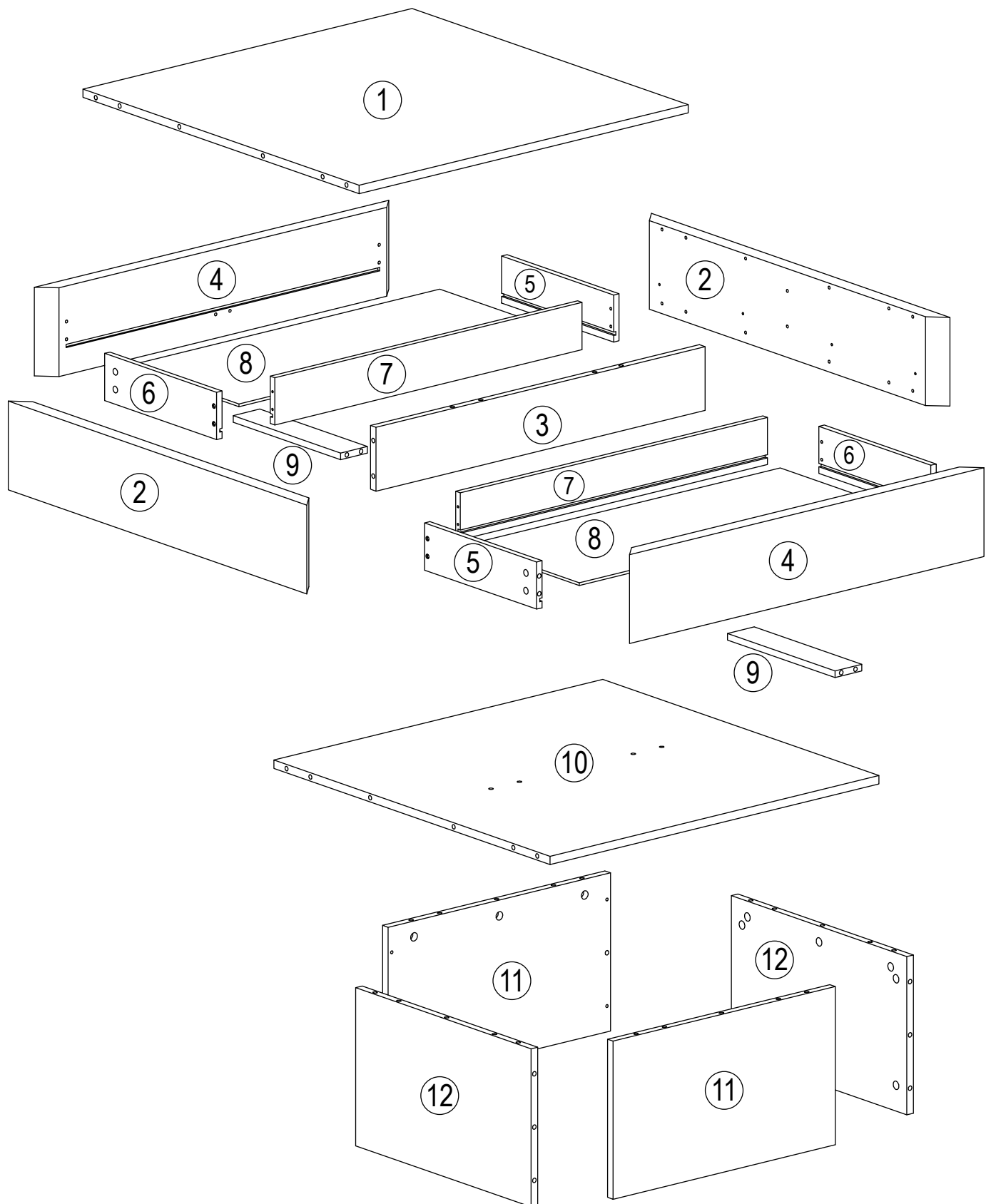


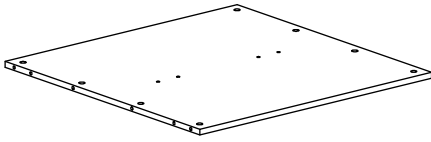
ZZGC-V4

FTLFCT-6026

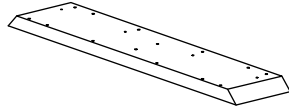


# IMPORTANT, RETAIN FOR FUTURE REFERENCE: READ CAREFULLY

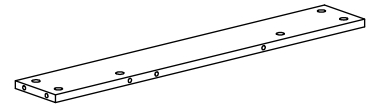




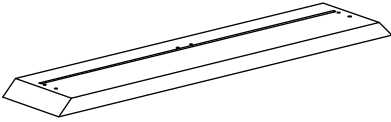
① x1



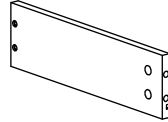
② x2



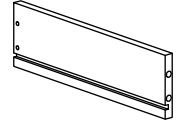
③ x1



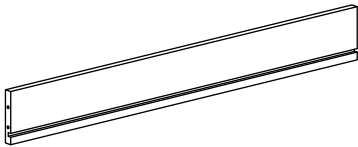
④ x2



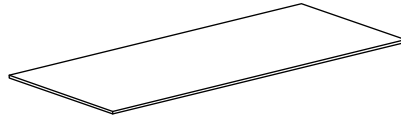
⑤ x2



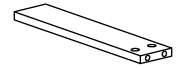
⑥ x2



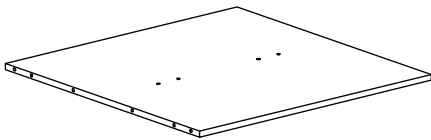
⑦ x2



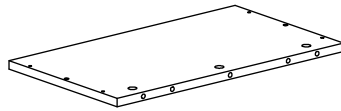
⑧ x2



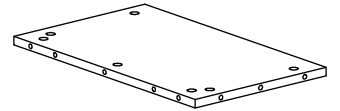
⑨ x2



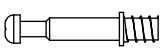



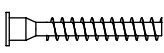
⑩ x1


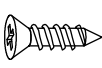
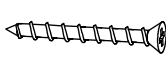








⑪ x2



⑫ x2

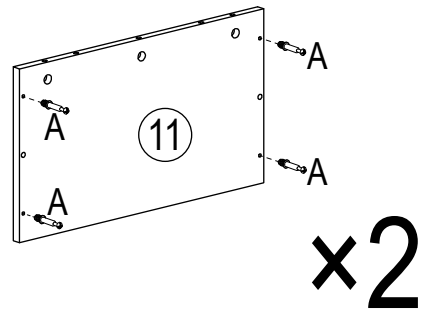
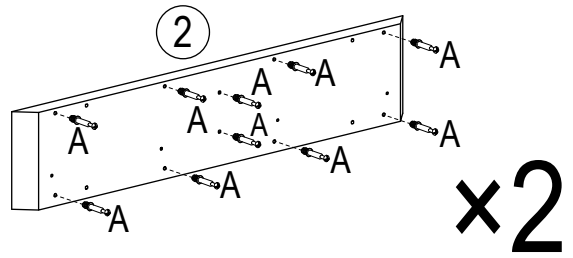
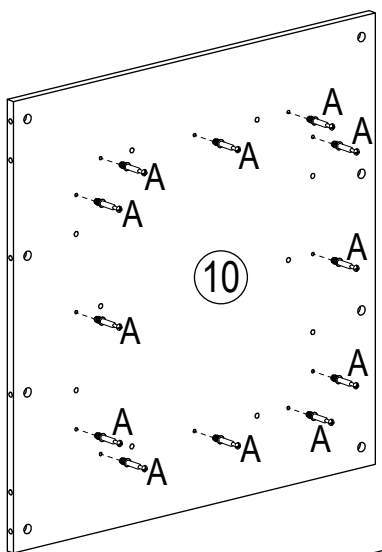
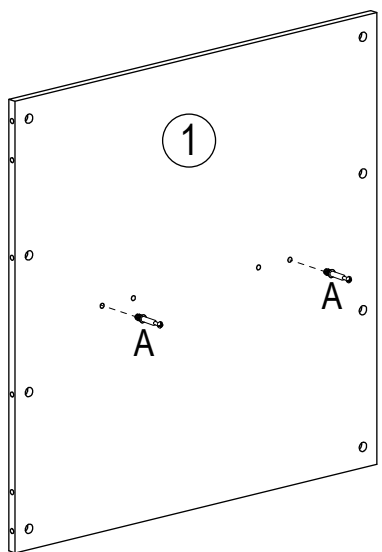
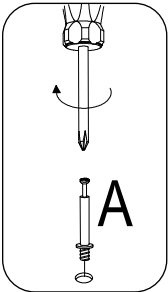
A	x54	B	x42	C	x12	D	x24	E	x2
									
Ø6×35mm		Ø15×12mm		Ø15×10mm		Ø8×30mm		Ø7×47mm	

F	x1	G	x16	H	x12	I	x2	J	x1
									
M4×64mm		3.5×14mm		Ø4×35mm		Ø20mm			

CL	x2	CR	x2	DL	x2	DR	x2
							
L300mm		L300mm		L300mm		L300mm	

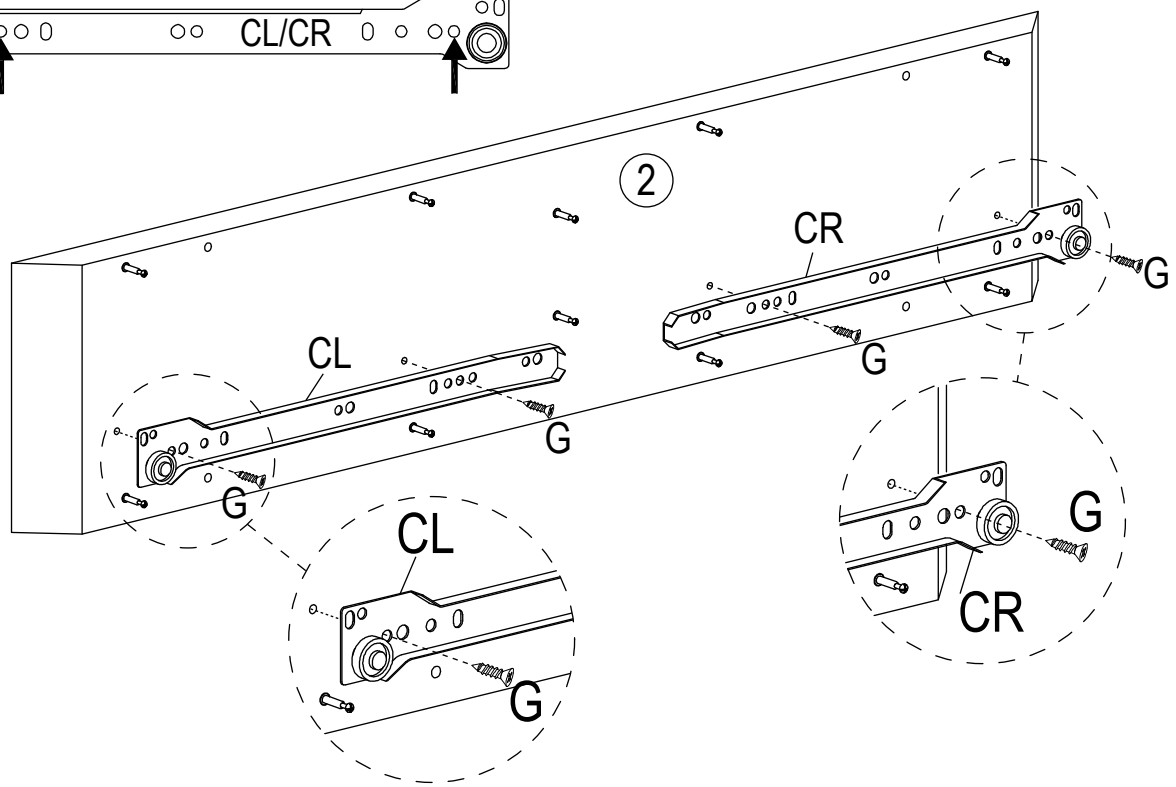
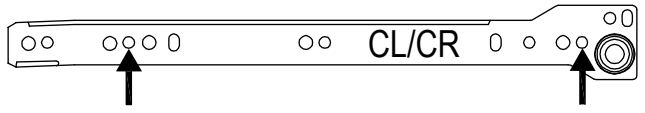
# 1

- ① × 1
- ② × 2
- ⑩ × 1
- ⑪ × 2
- A × 42

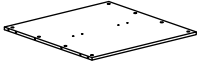


# 2

- ② × 2
- G × 8
- CL × 2
- CR × 2



# 3



① × 1



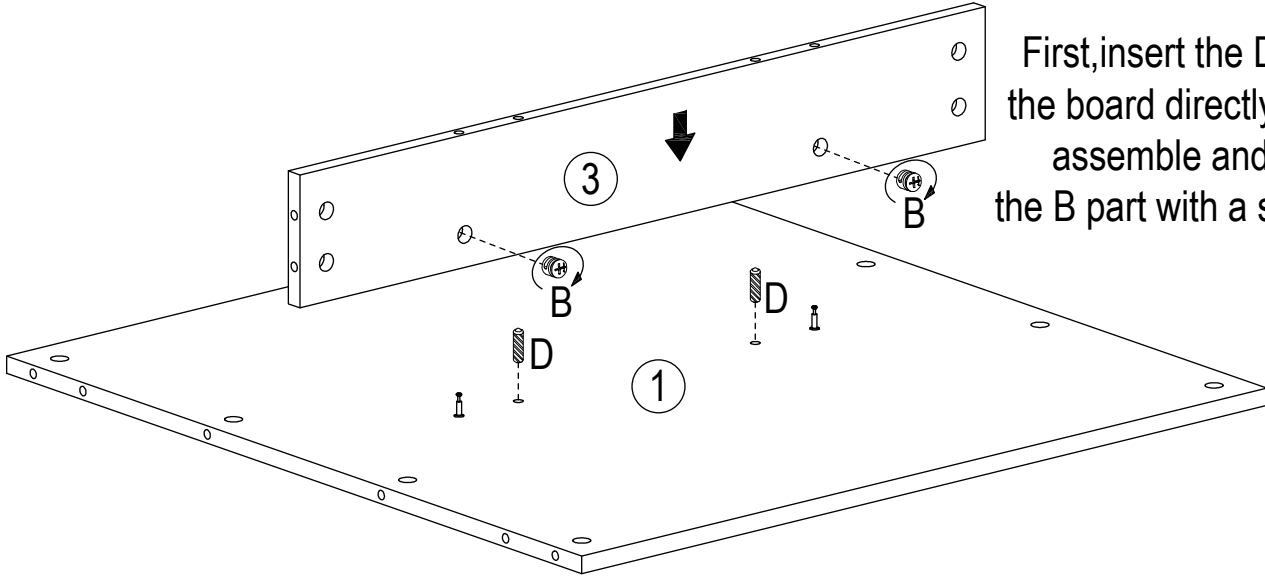
③ × 1



B × 2

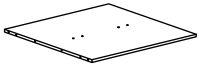


D × 2



First, insert the D part into the board directly, and then assemble and tighten the B part with a screwdriver.

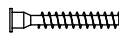
# 4



⑩ × 1



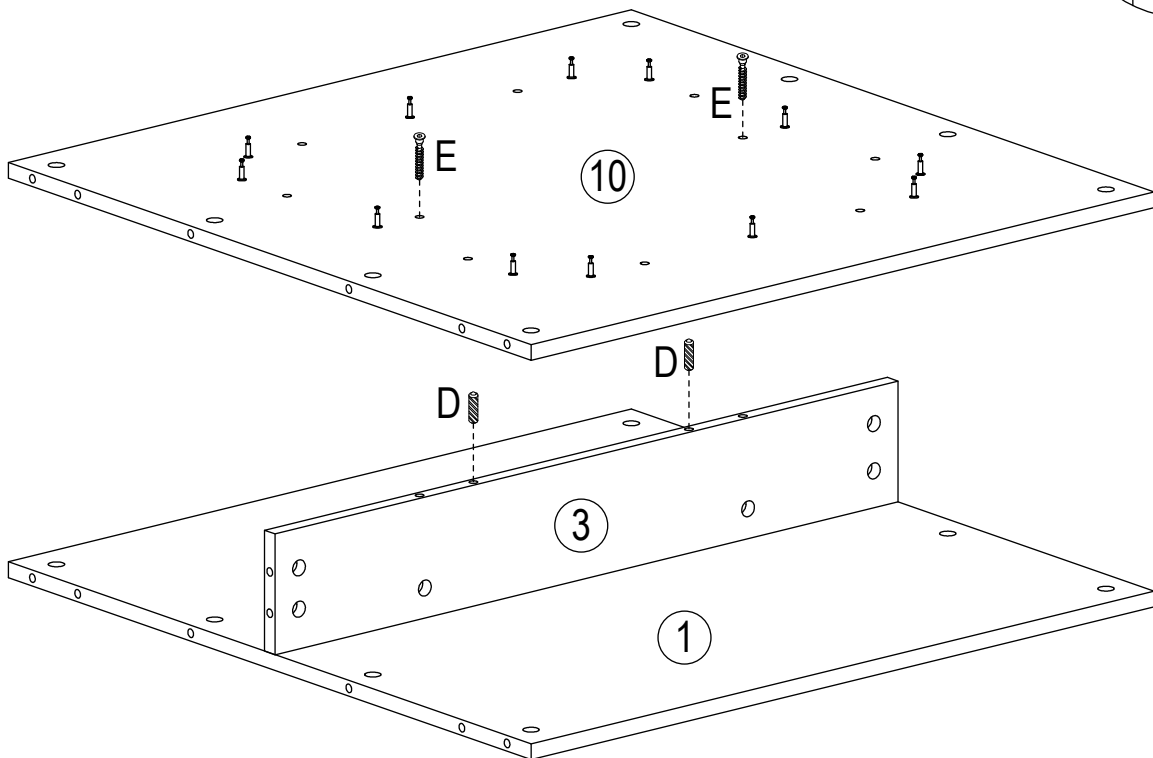
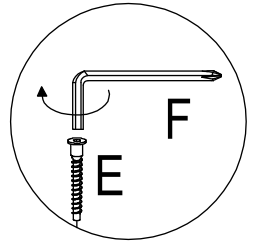
D × 2



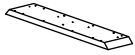
E × 2



F × 1



# 5



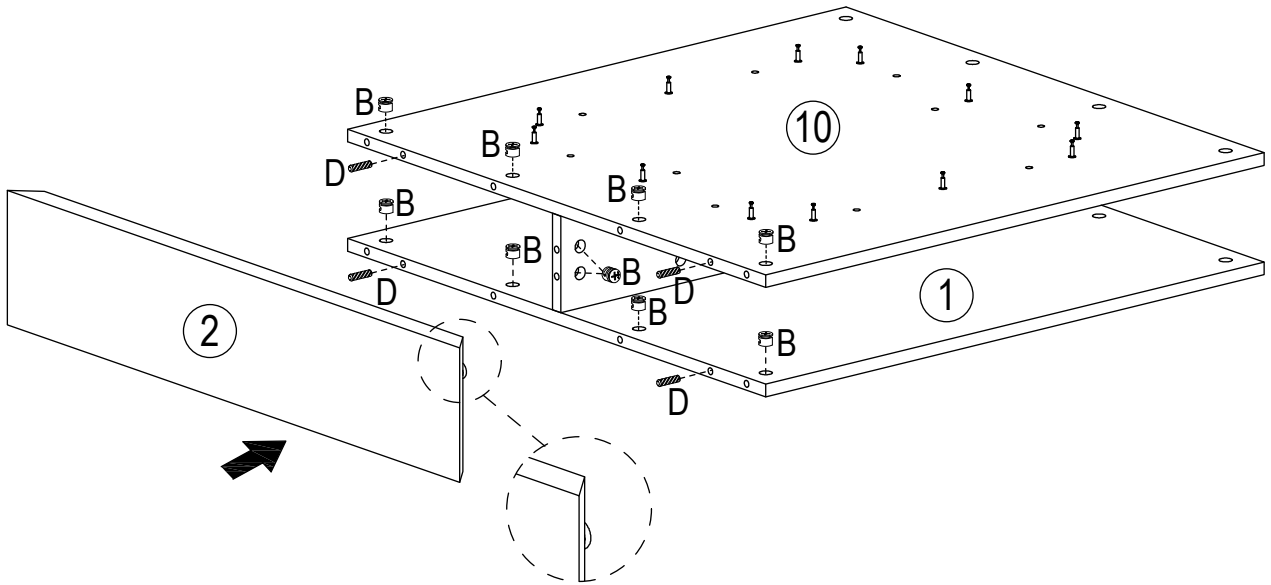
② × 1



B × 10

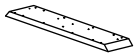


D × 4



Note: The position of the slides on the back is upward.

# 6



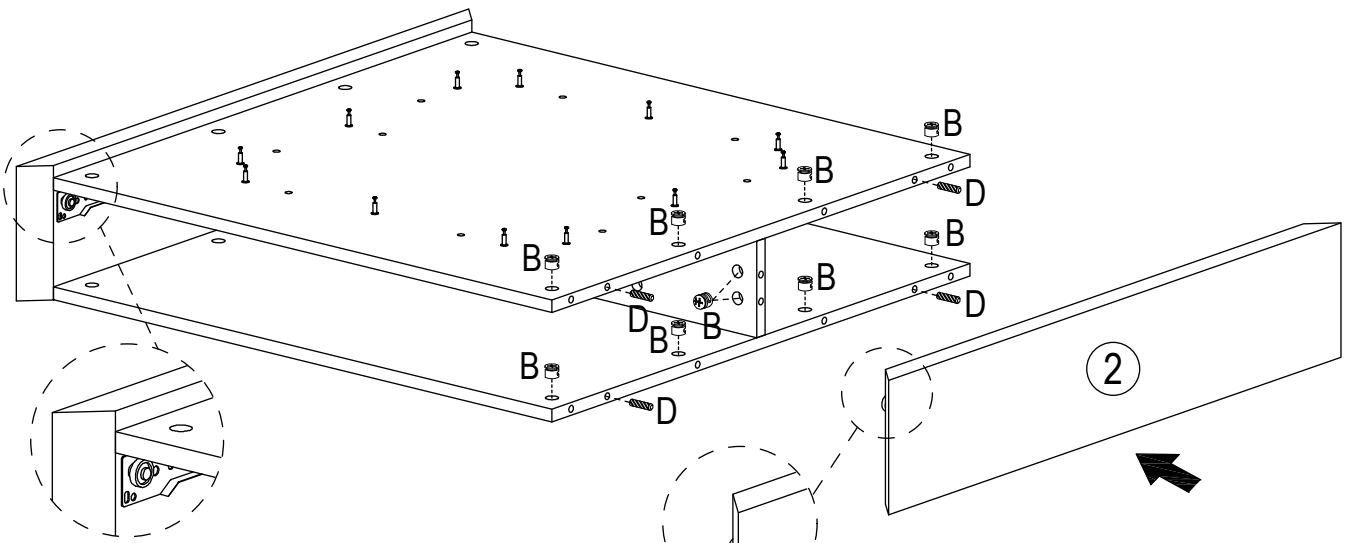
② × 1



B × 10



D × 4



Note: The position of the slides on the back is upward.

Note: The position of the slides on the back is upward.

# 7



①① × 1



①② × 2

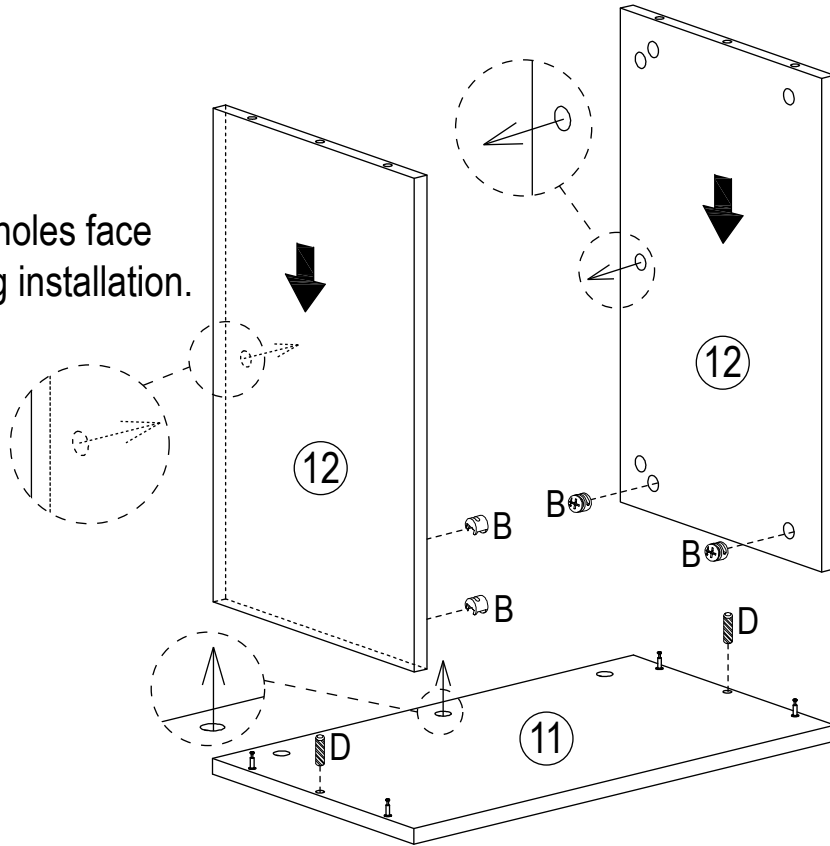


B × 4

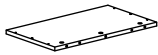


D × 2

Note: The holes face inward during installation.



# 8



①① × 1

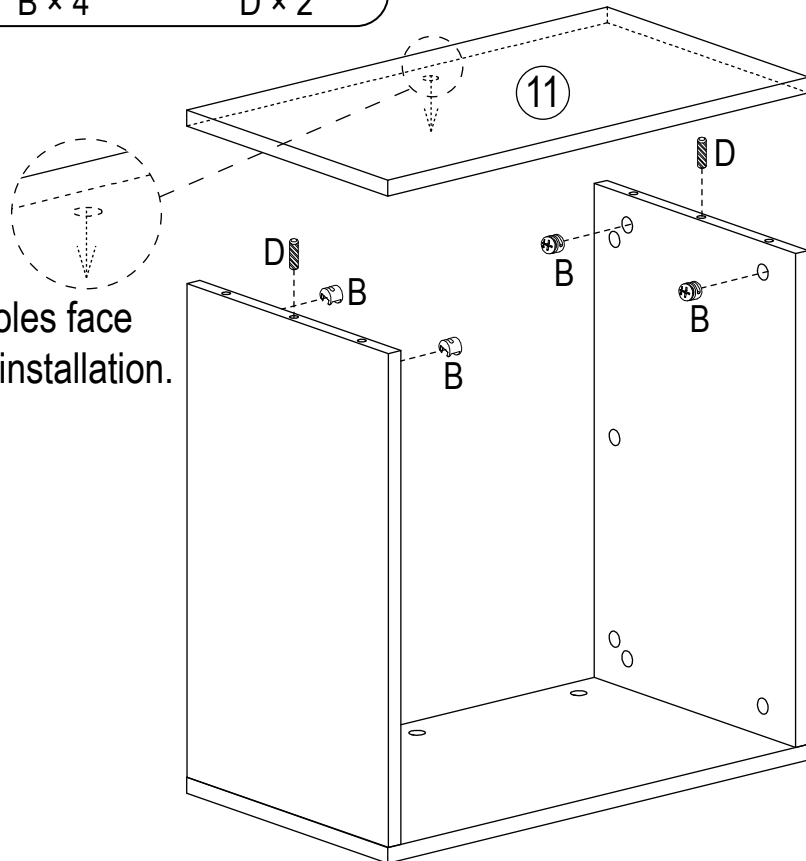


B × 4



D × 2

Note: The holes face inward during installation.



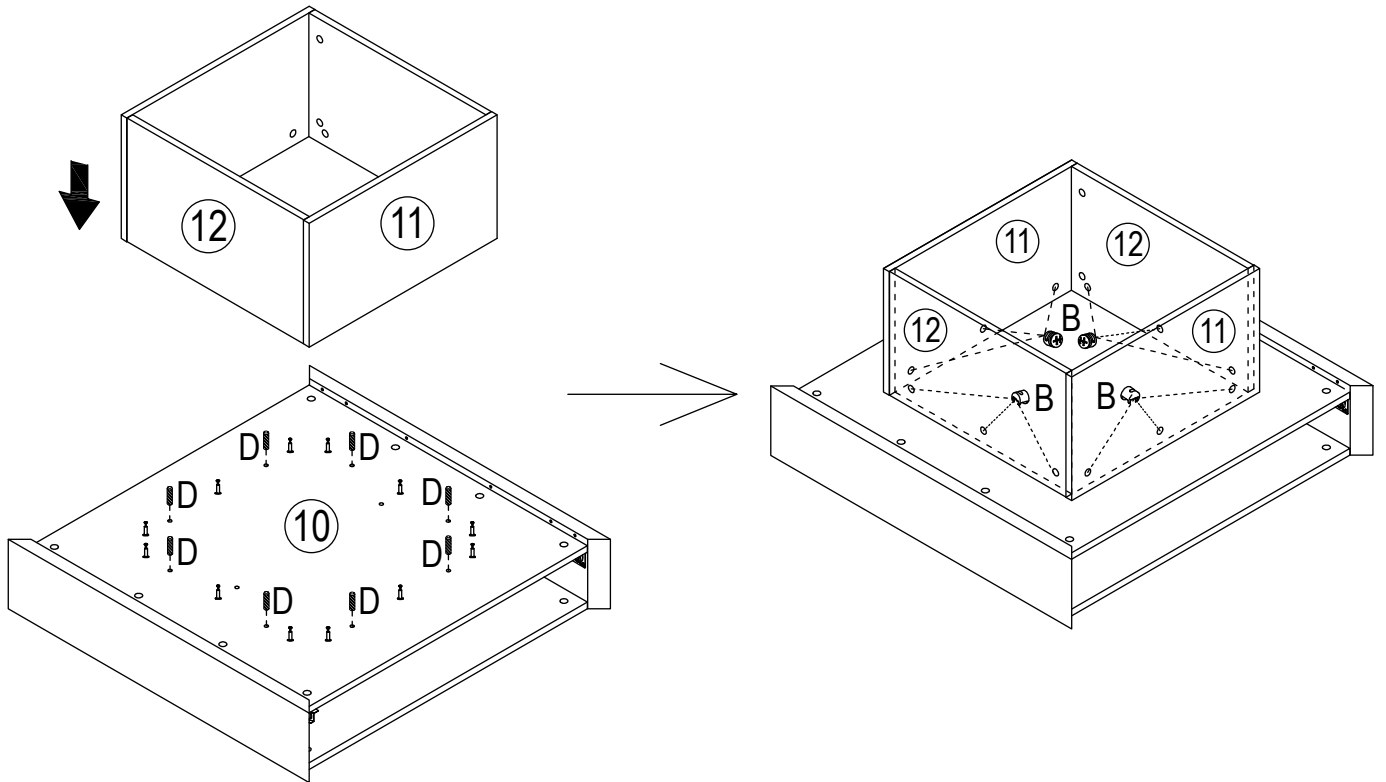
# 9



B x 12



D x 8

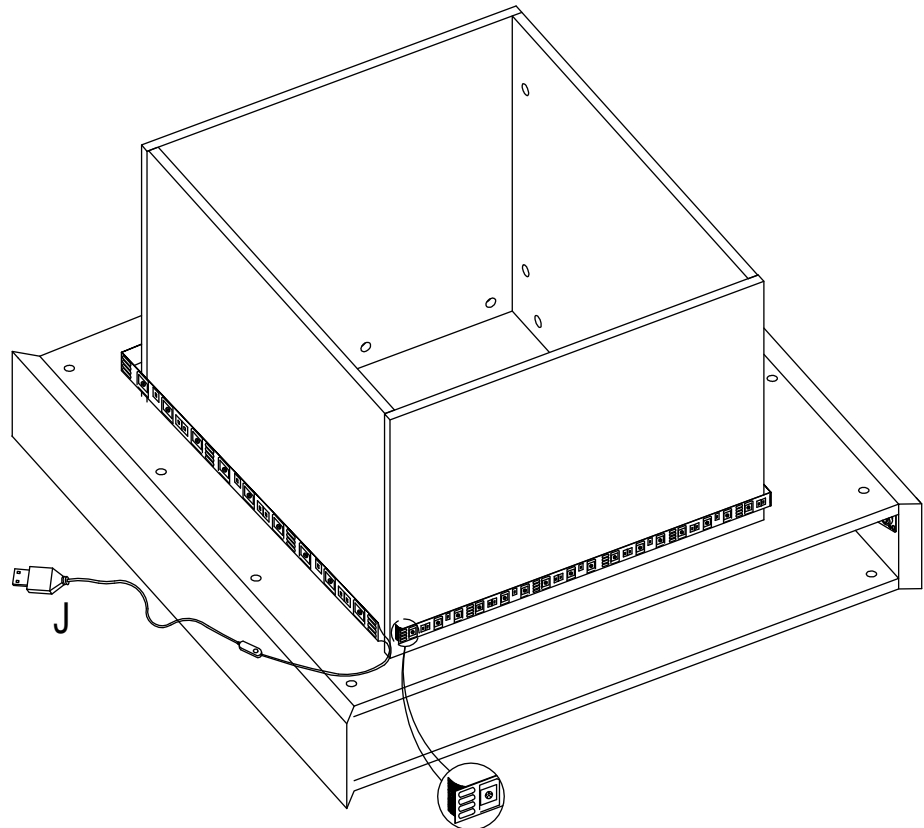


# 10



J x 1

Please remove the plastic film here before using the remote control.



Tear off the tape and apply it to the bottom plate, then press it firmly with your hand.

# 11



④ × 2



⑤ × 2



⑥ × 2



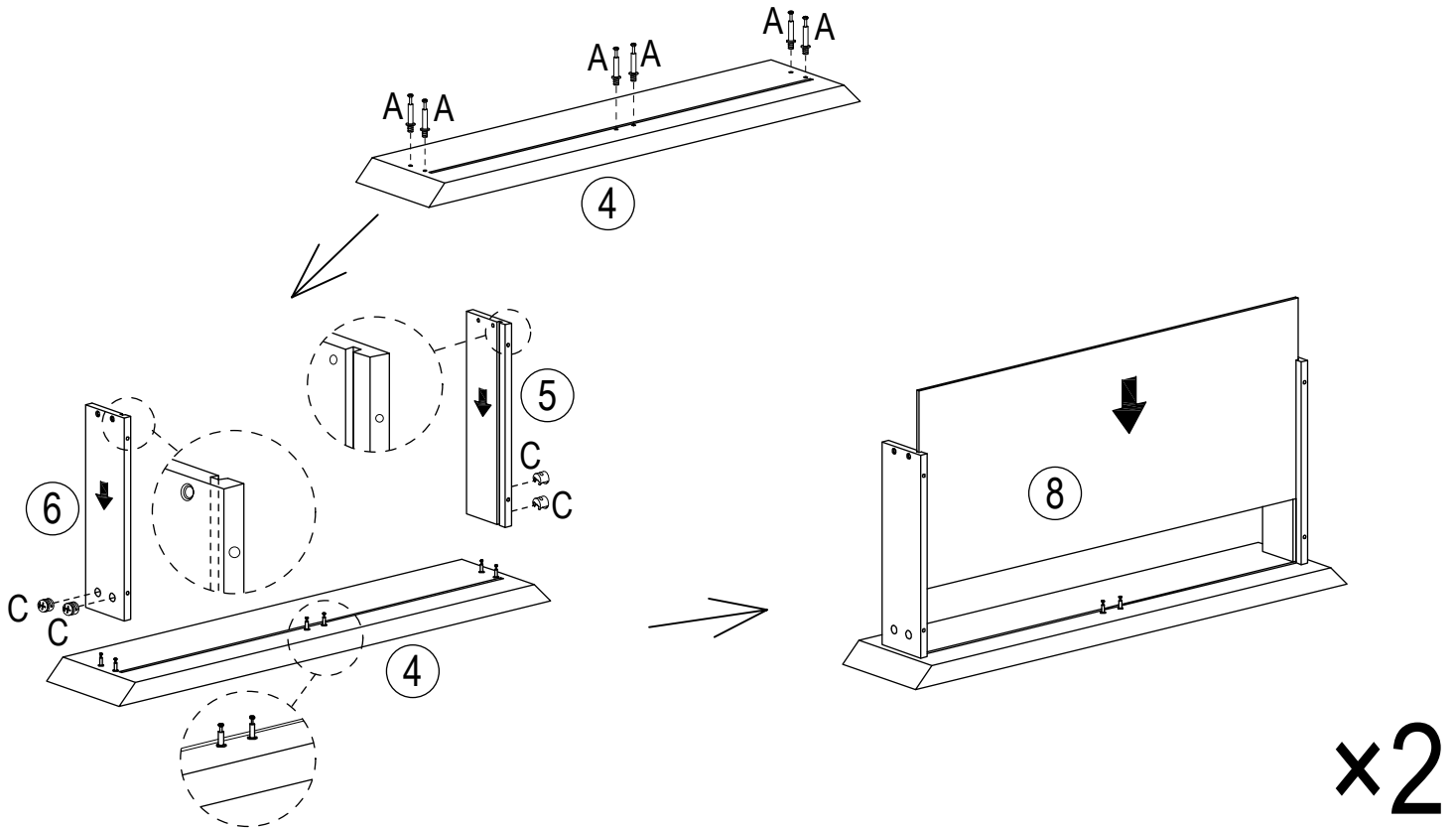
⑧ × 2



A × 12



C × 8



# 12



⑦ × 2



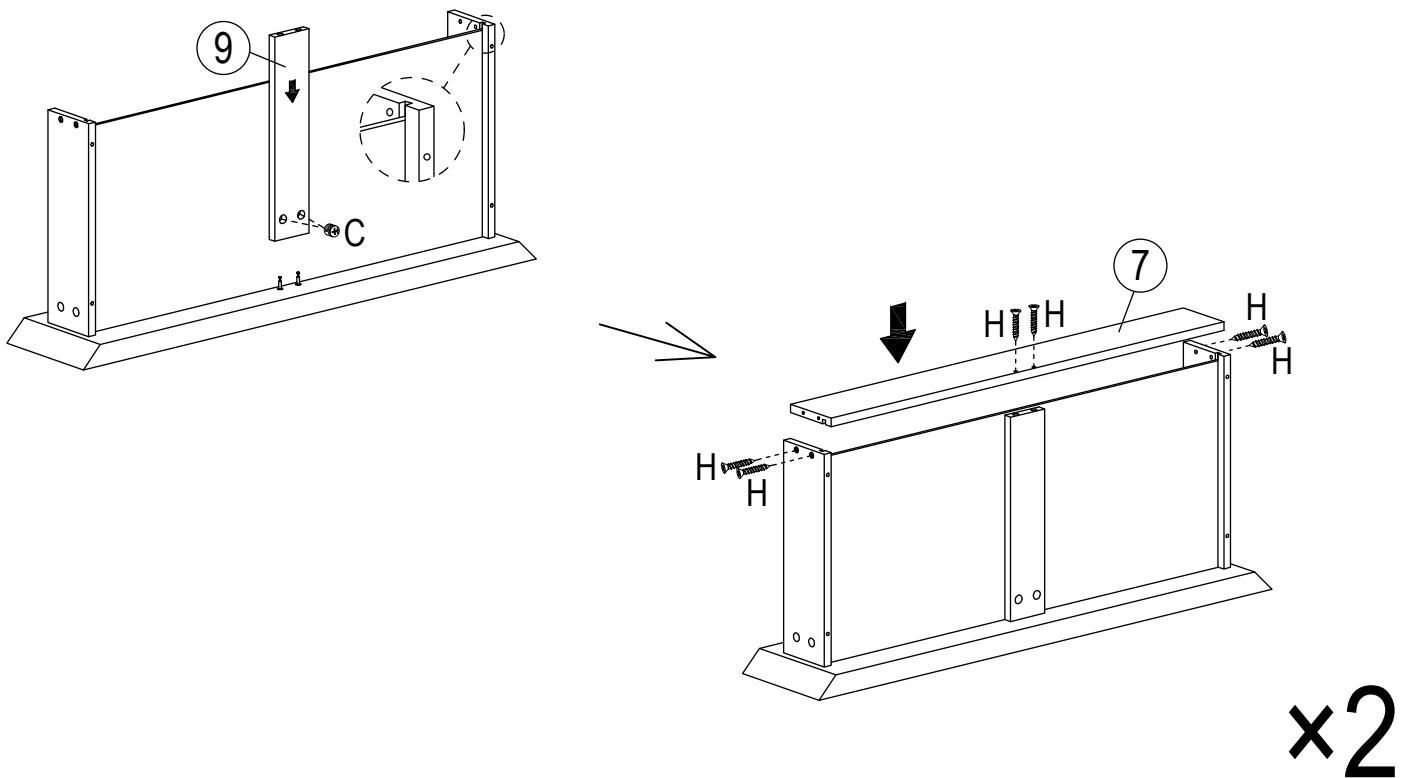
⑨ × 2



C × 4



H × 12



# 13



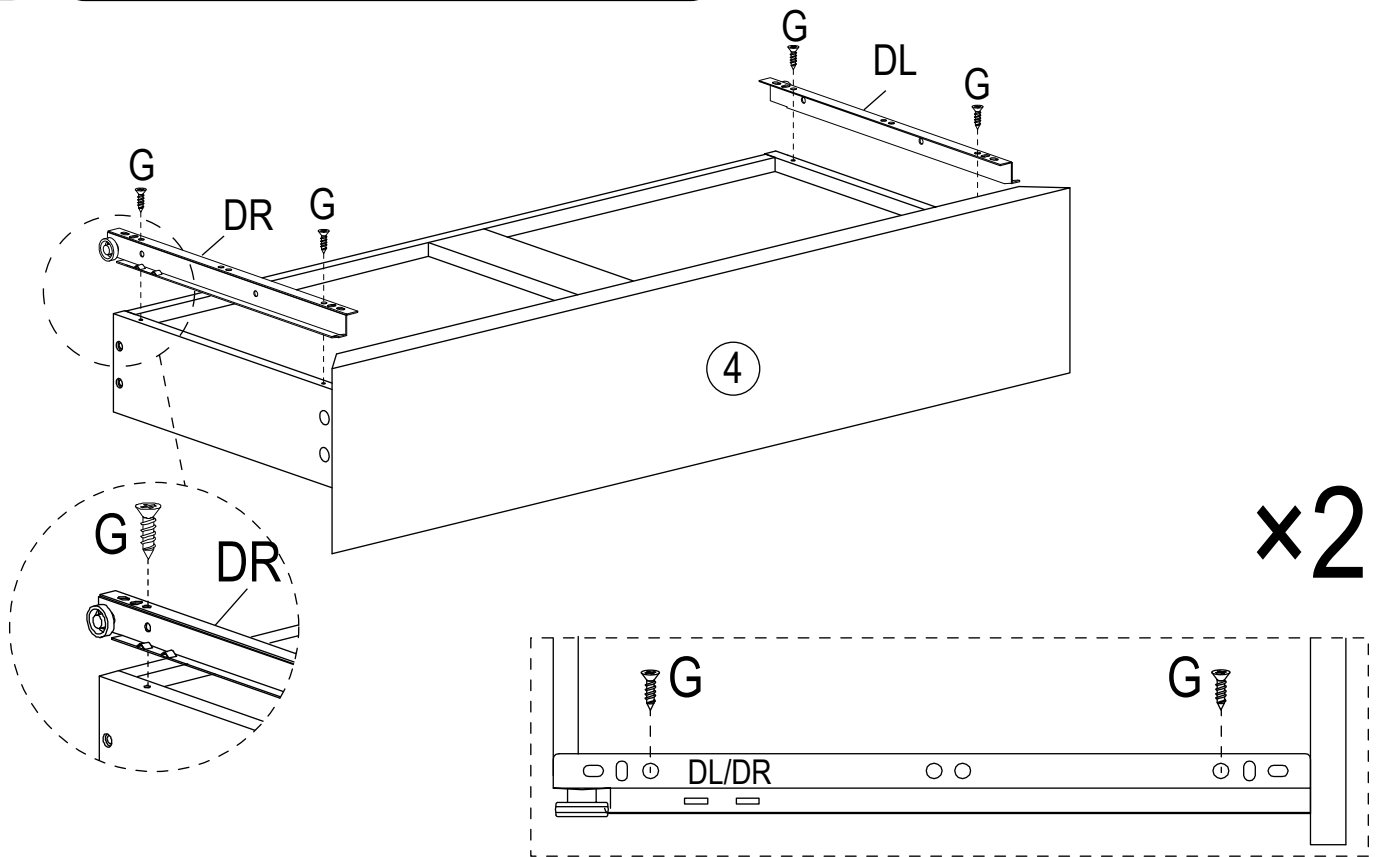
G × 8



DL × 2



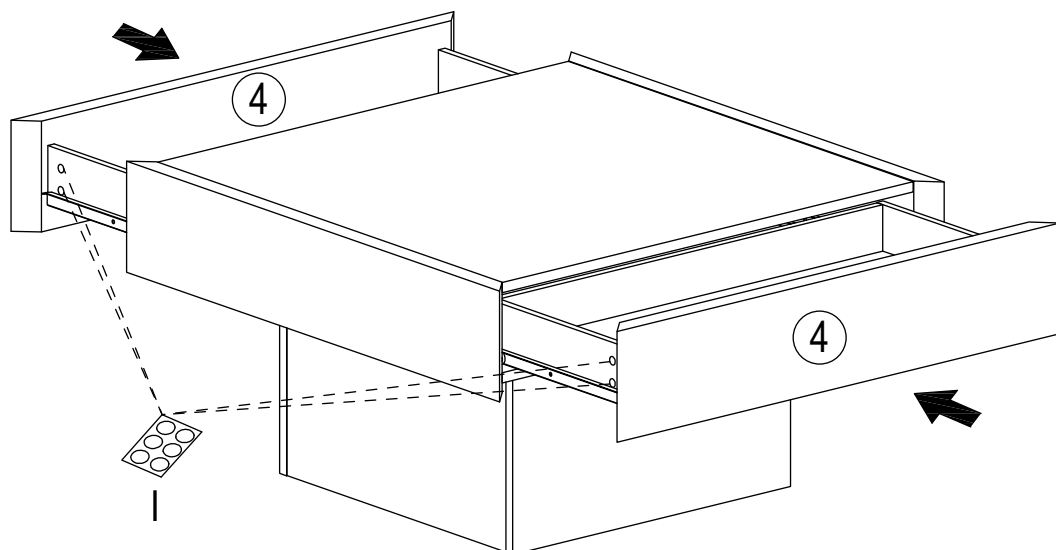
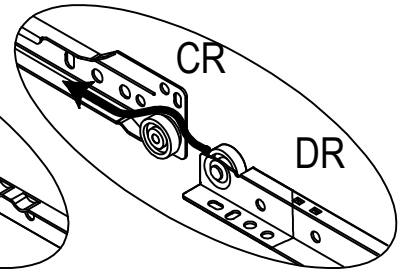
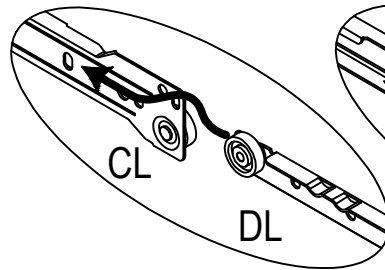
DR × 2



# 14



I × 2



Installation Completed