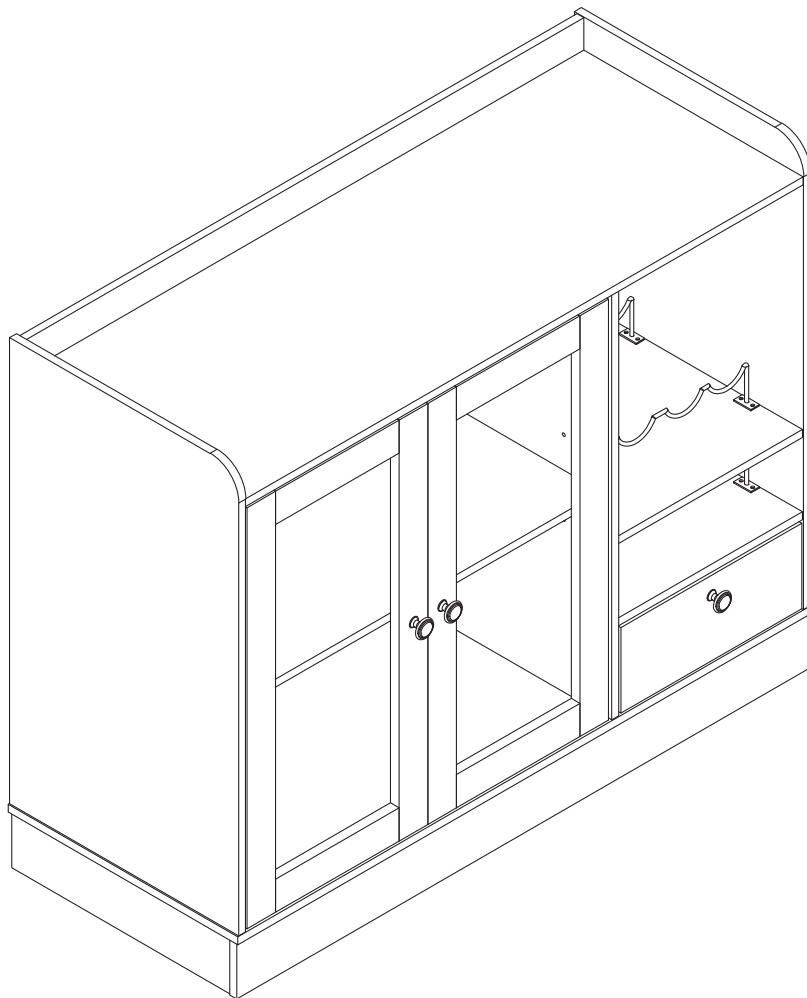


Assembly Instructions

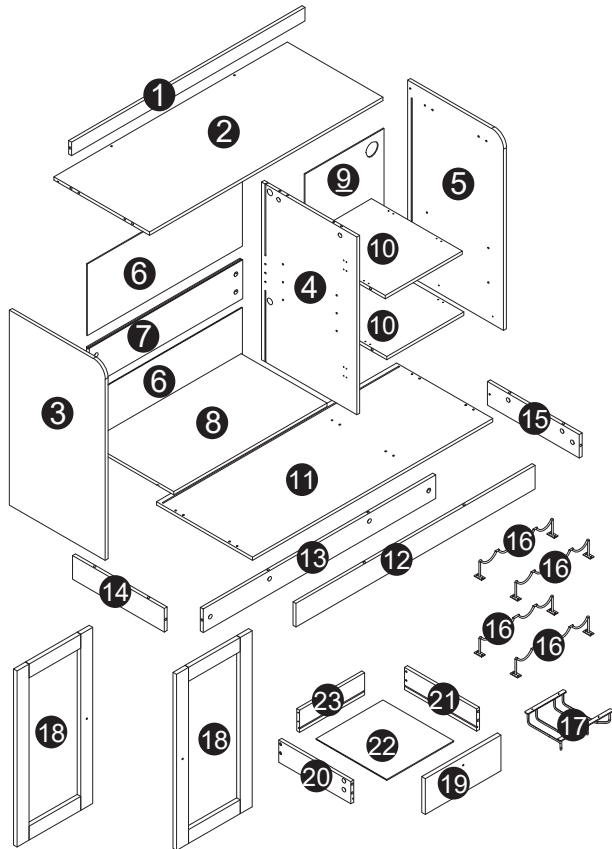
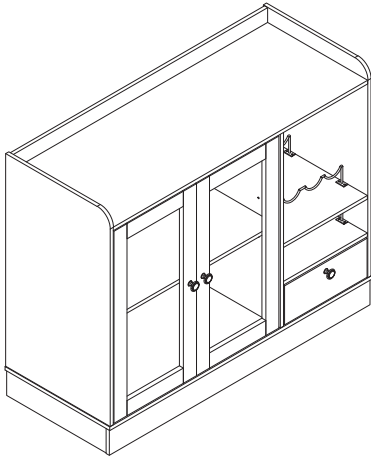
Decorate your home, Brighten wonderful life



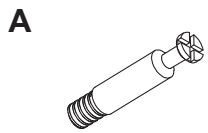
Part List



Open the package, and put the item on the mat with care. Please install it carefully to ensure your fingers will not be scratched.



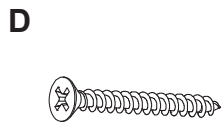
Hardware List



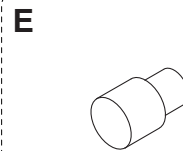
A
M6*35mm
×38 (+1)



B
φ15*9mm
×38 (+1)



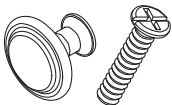
D
M4*40mm
×10 (+1)



E
×4 (+1)



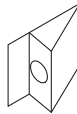
G
M3*12mm
×40 (+1)



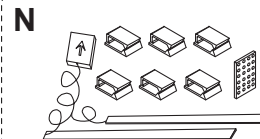
J
×3



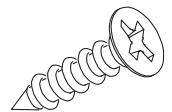
L
×1



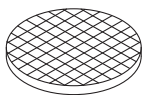
M
×12 (+1)



N
900mm
×1



W
M3.5*14mm
×24 (+1)



P
×4



Q
×4



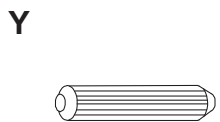
R
×1



T
×38 (+1)



V
×1



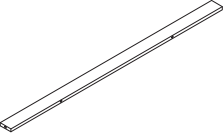
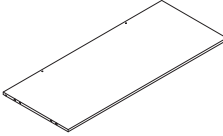
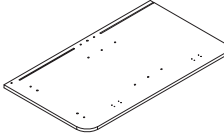
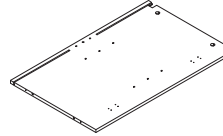
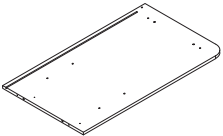
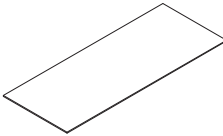
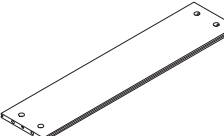
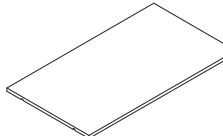
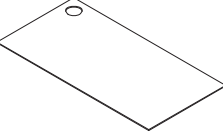
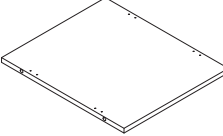
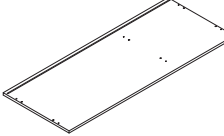
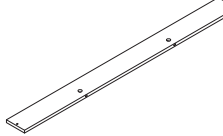
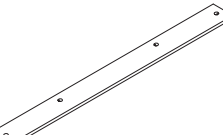
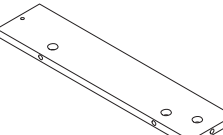
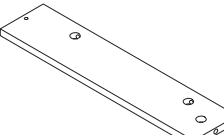

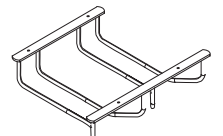
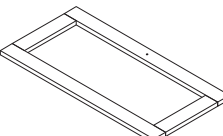
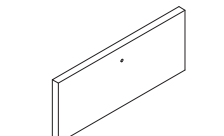
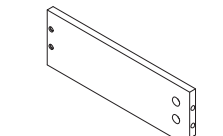
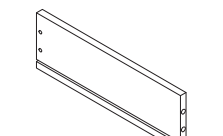
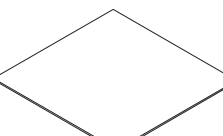
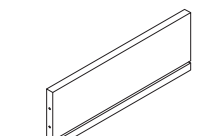
Y
M6*30mm
×14 (+1)

Extra white cam



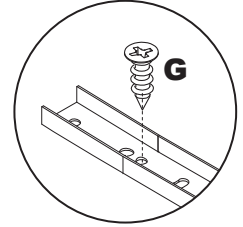
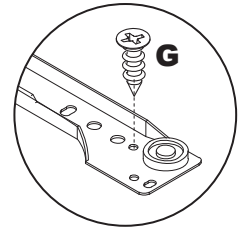
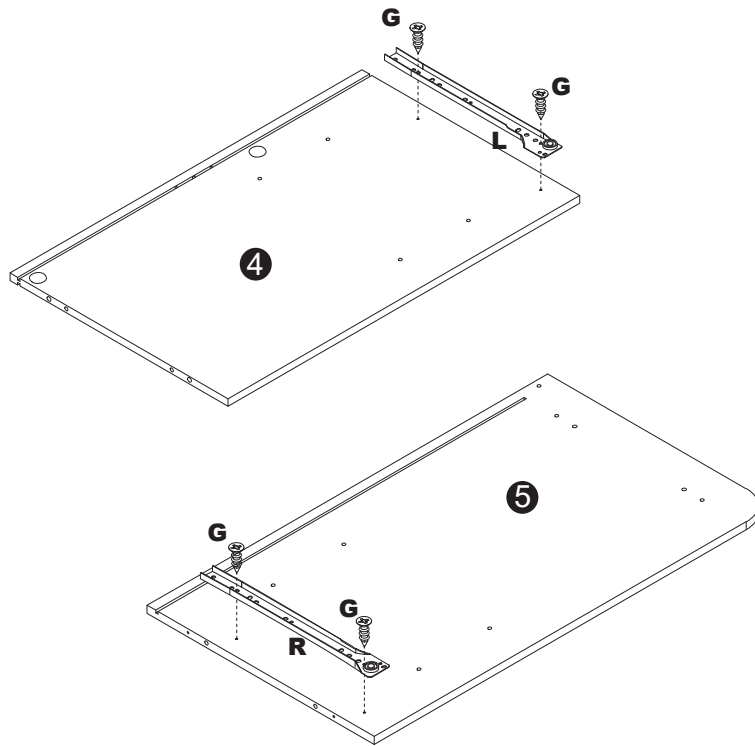
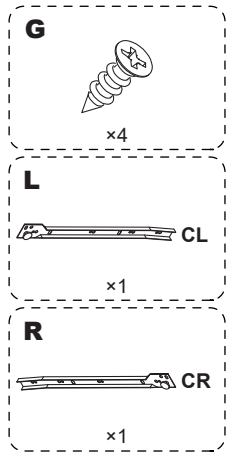
×2

PARTS List

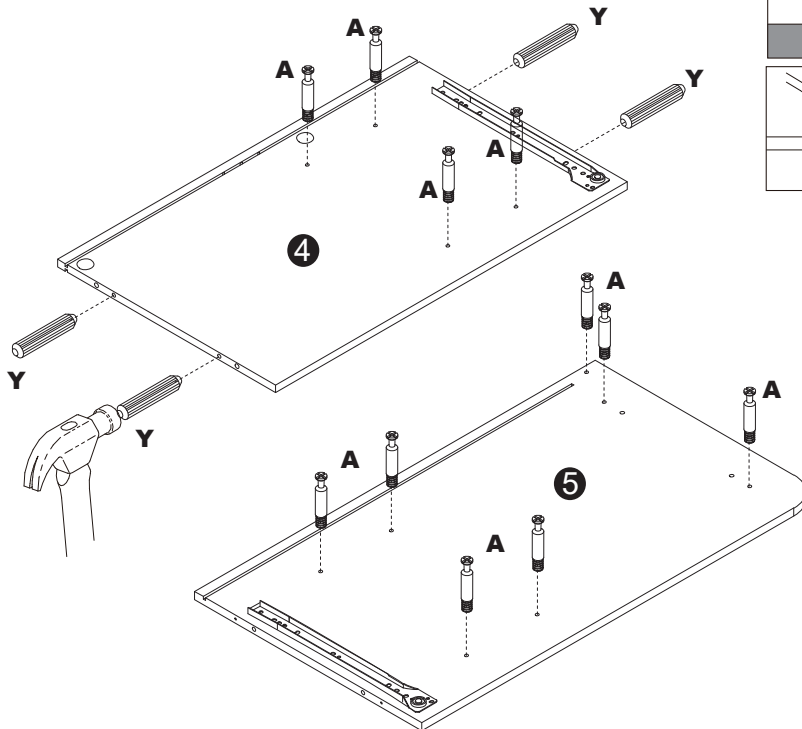
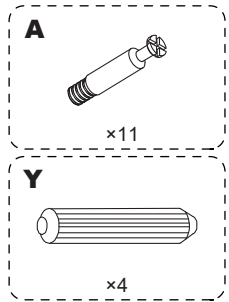
 972*49*12mm ① ×1	 972*49*12mm ② ×1	 703*399*12mm ③ ×1	 641*397*12mm ④ ×1
 703*399*12mm ⑤ ×1	 646.5*258*3mm ⑥ ×2	 639*140*12mm ⑦ ×1	 638*357*12mm ⑧ ×1
 649*328.5*3mm ⑨ ×1	 321*378*12mm ⑩ ×2	 1000*400*12mm ⑪ ×1	 996*85*12mm ⑫ ×1
 968*85*12mm ⑬ ×1	 382*85*12mm ⑭ ×1	 382*85*12mm ⑮ ×1	 ⑯ ×4
 ⑰ ×1	 635*215*15mm ⑱ ×2	 315*129*15mm ⑲ ×1	 300*80*12mm ⑳ ×1
 300*80*12mm ㉑ ×1	 279*295*3mm ㉒ ×1	 271*80*12mm ㉓ ×1	

Start...

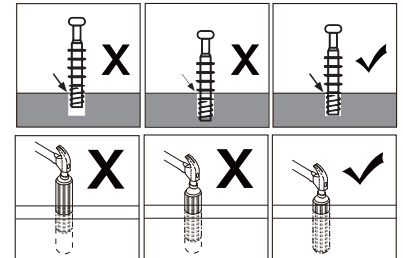
| Step1



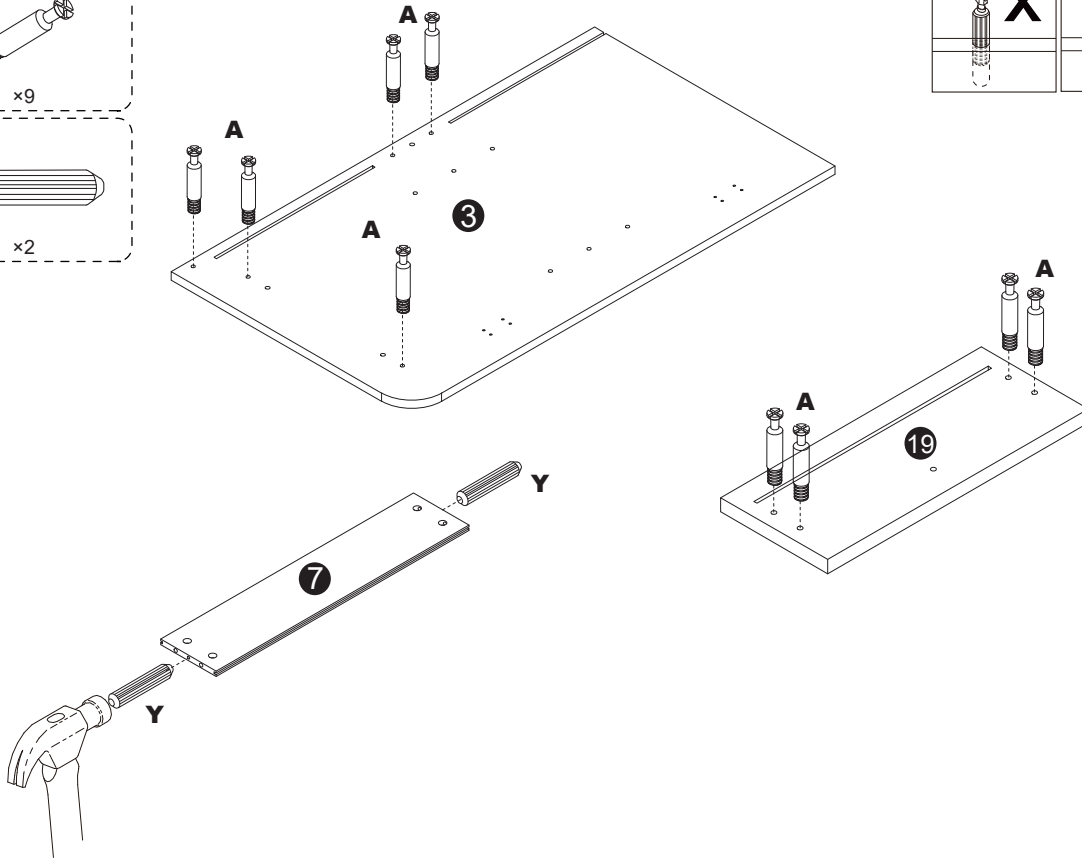
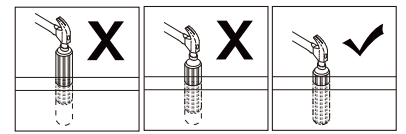
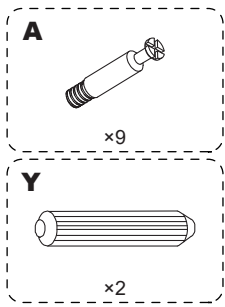
| Step2



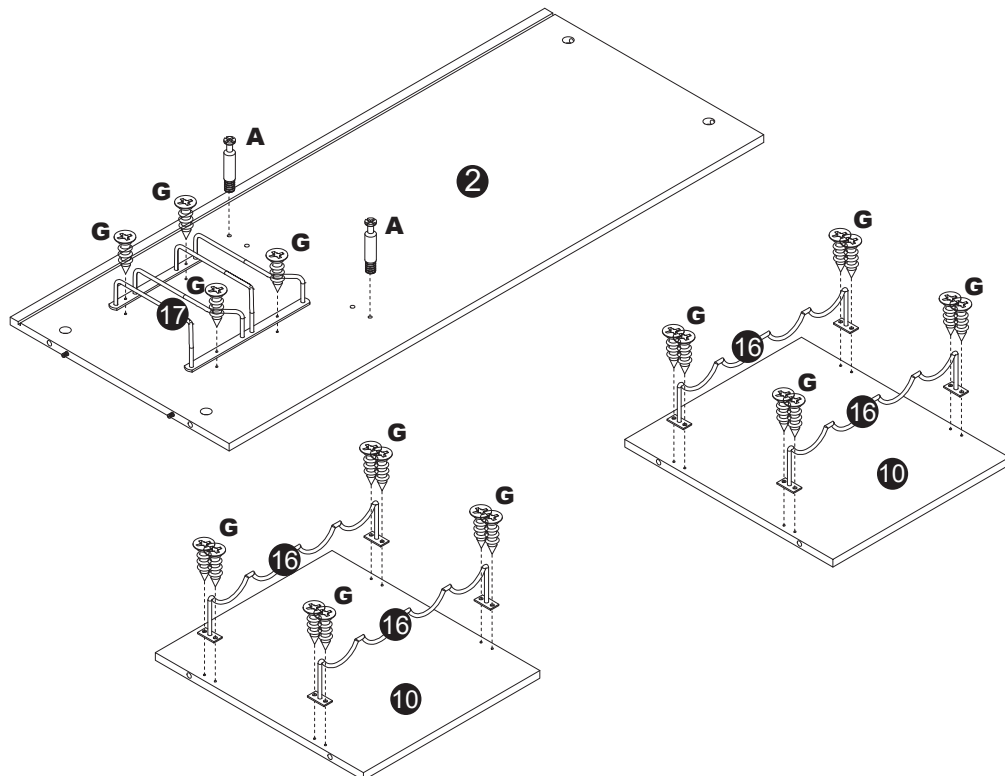
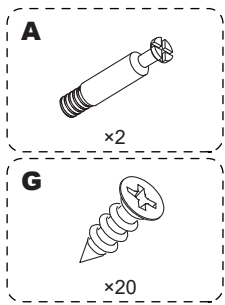
Installation method of three in one bolt



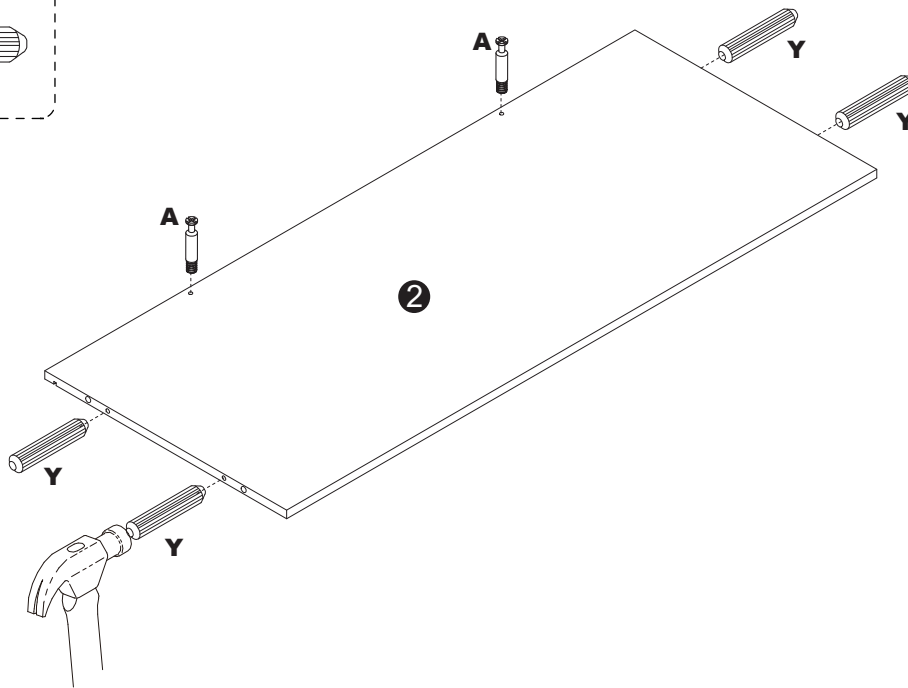
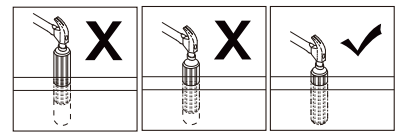
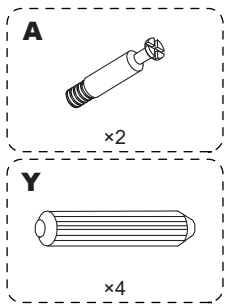
Step 3



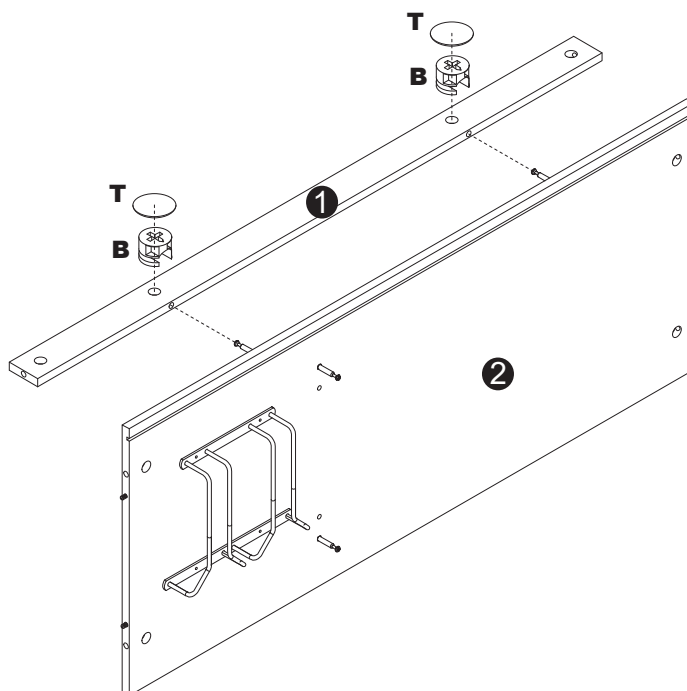
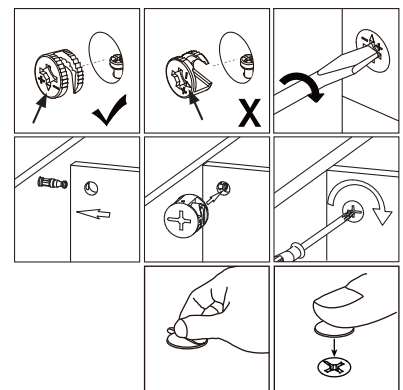
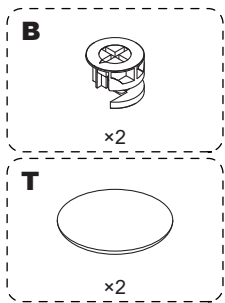
Step 4



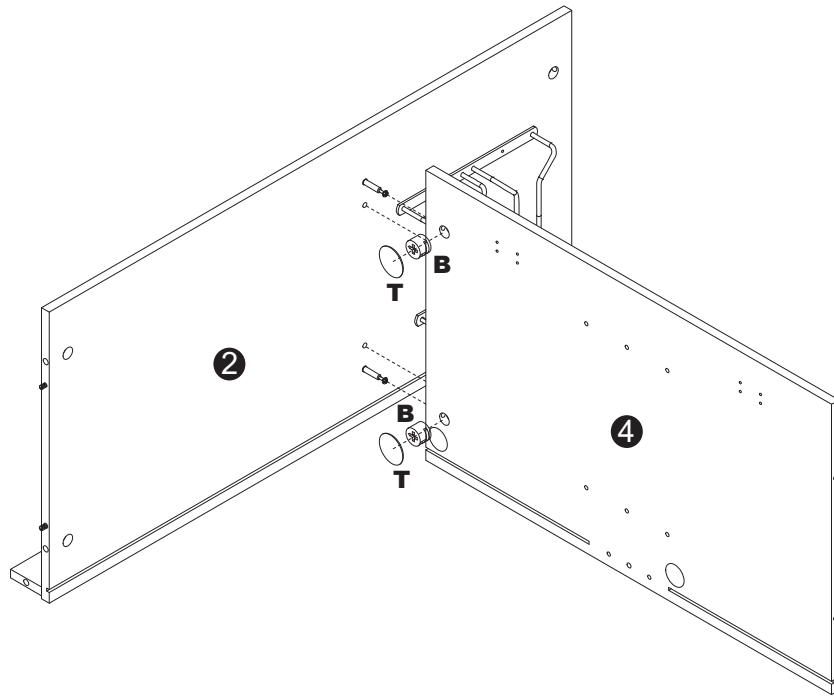
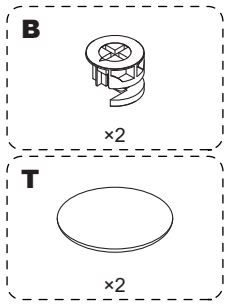
Step 5



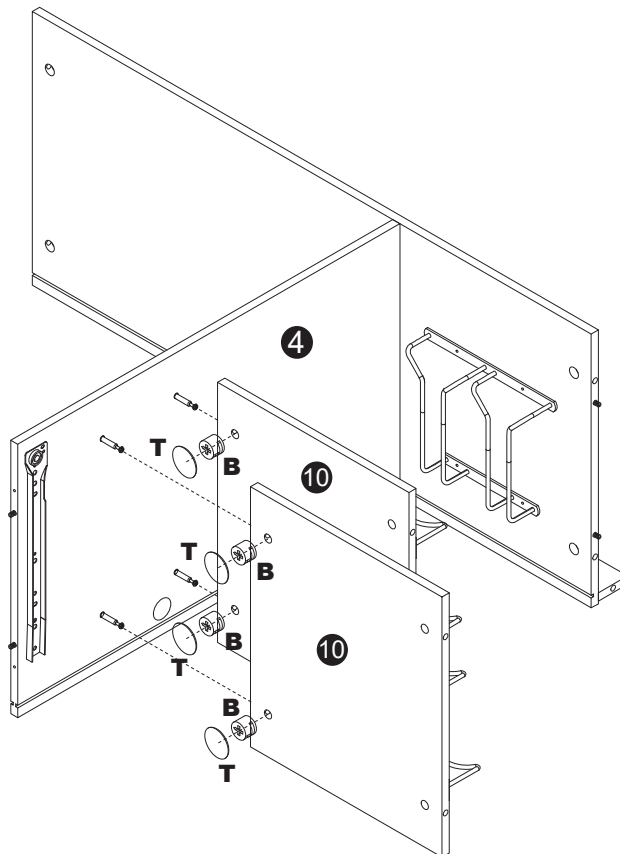
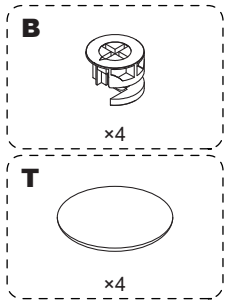
Step 6



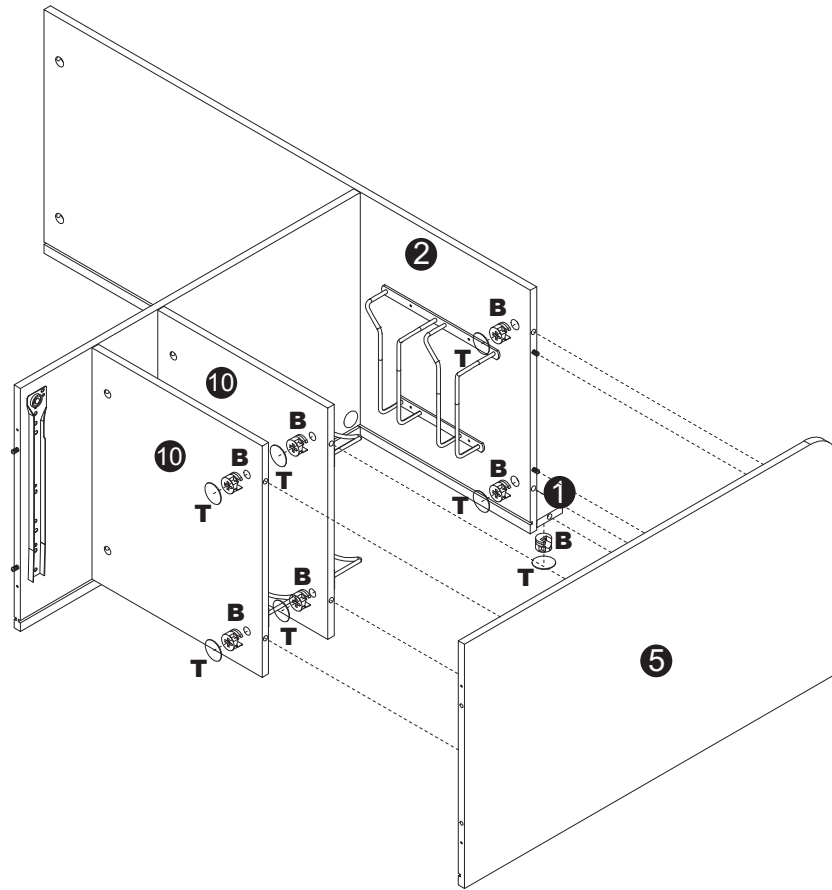
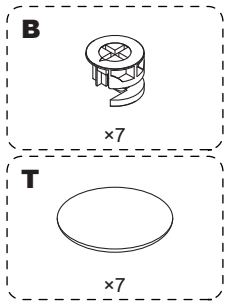
| Step7



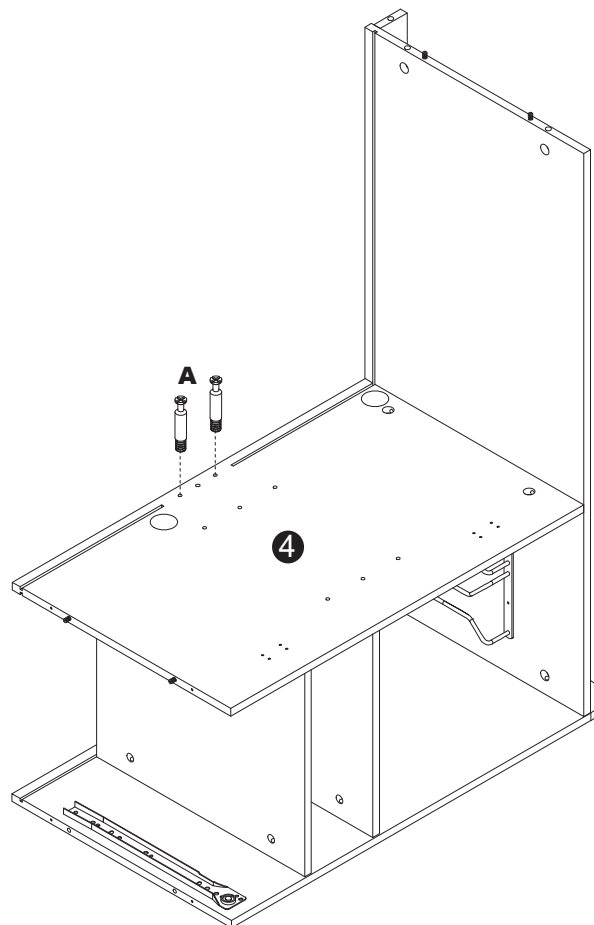
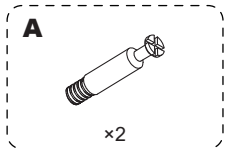
| Step8



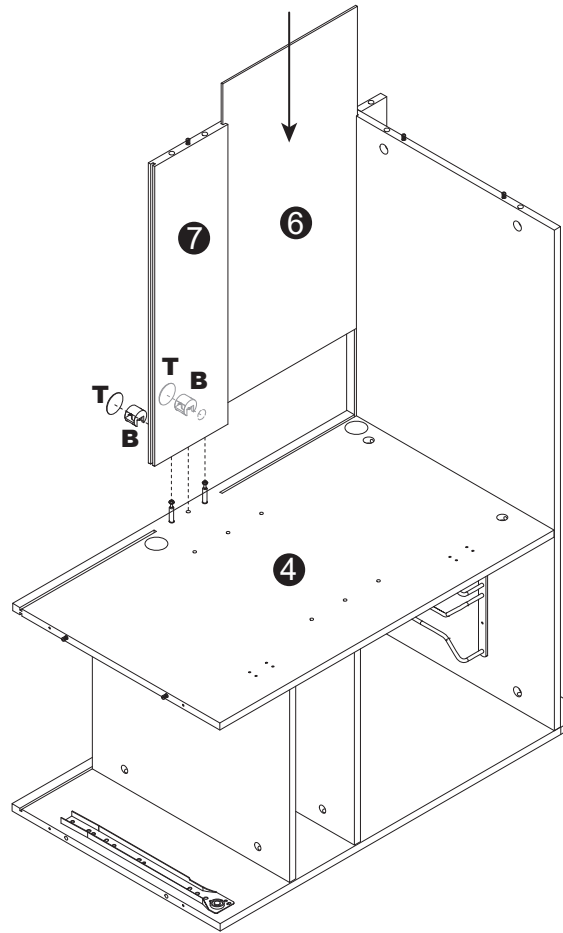
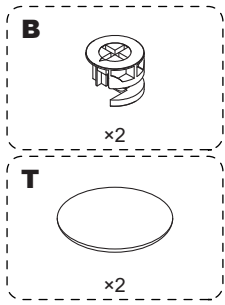
| Step9



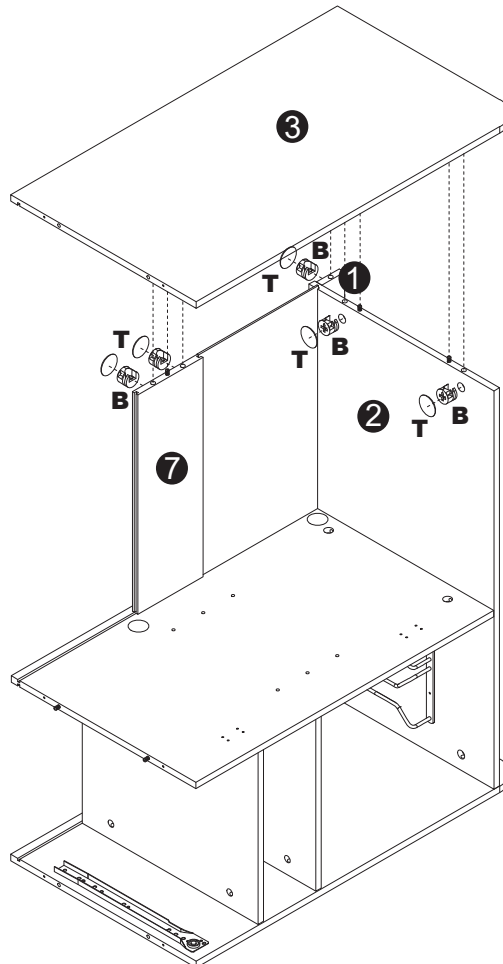
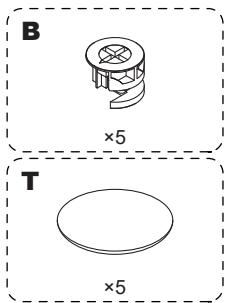
| Step10



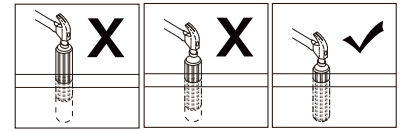
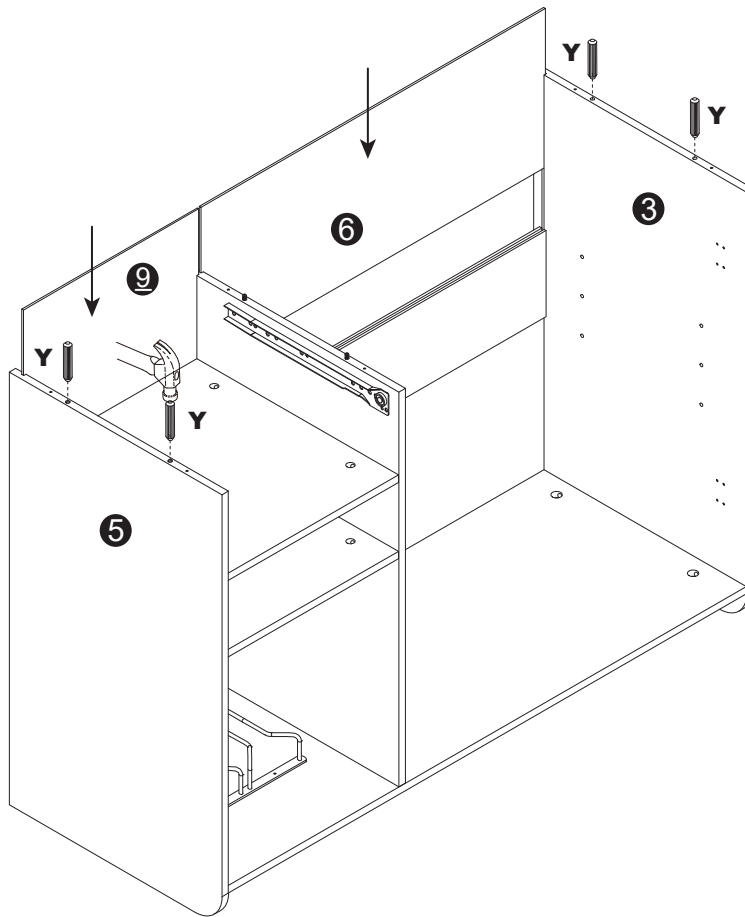
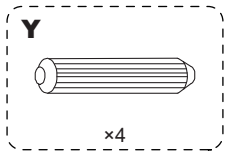
Step 11



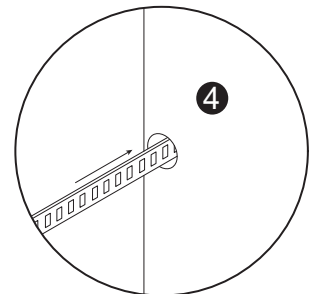
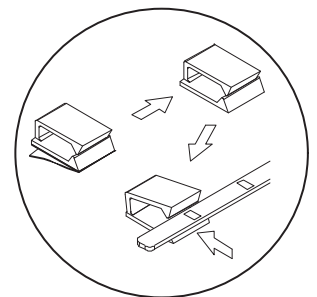
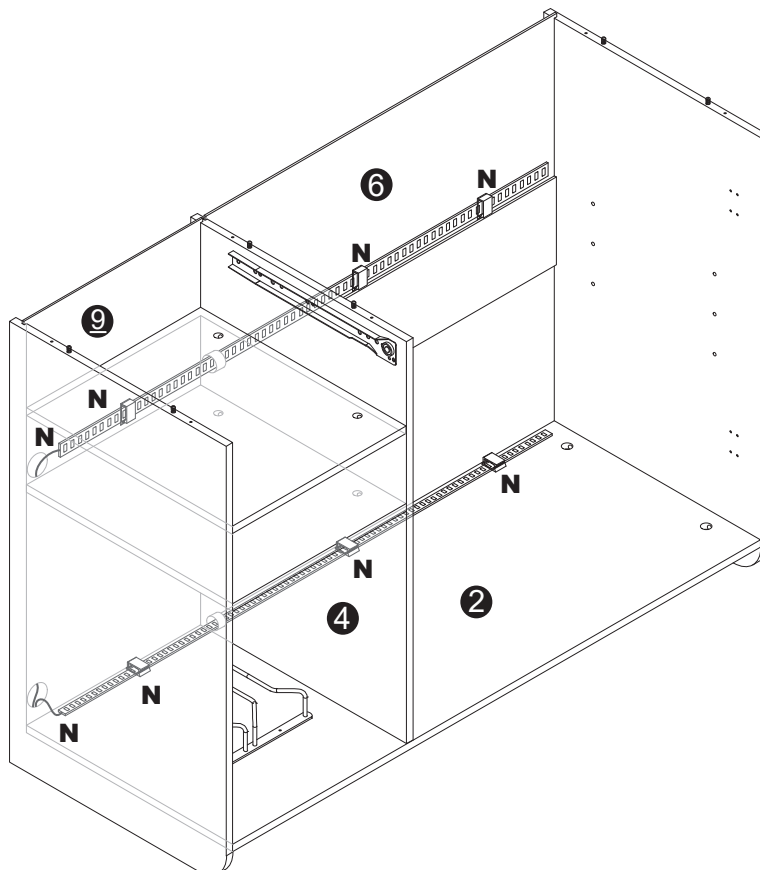
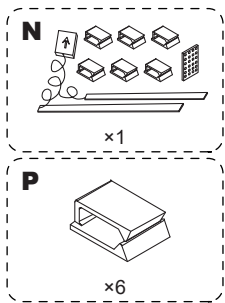
Step 12



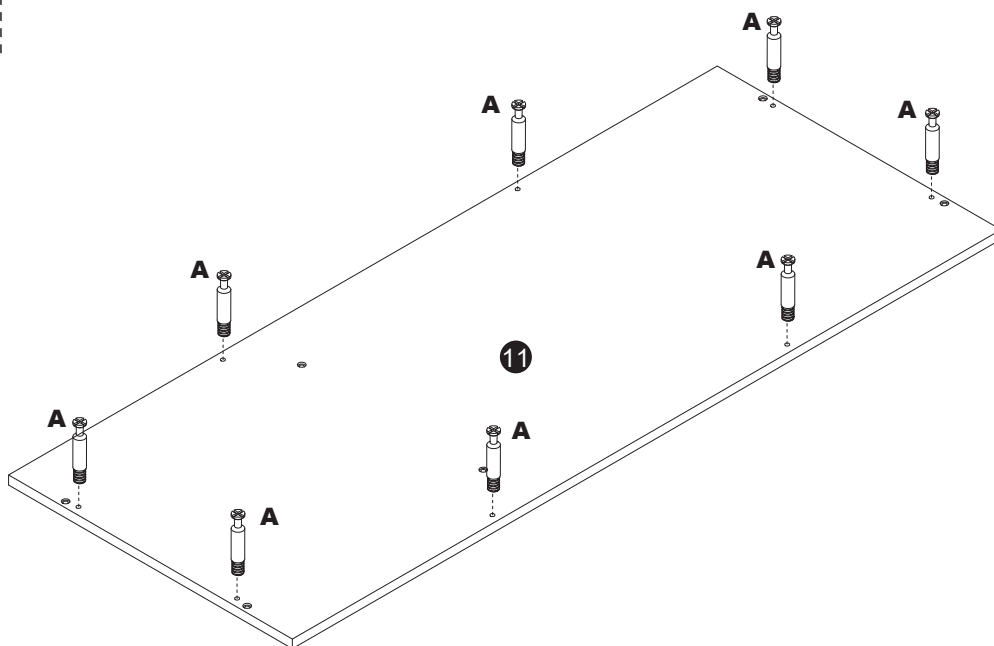
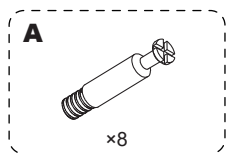
Step 13



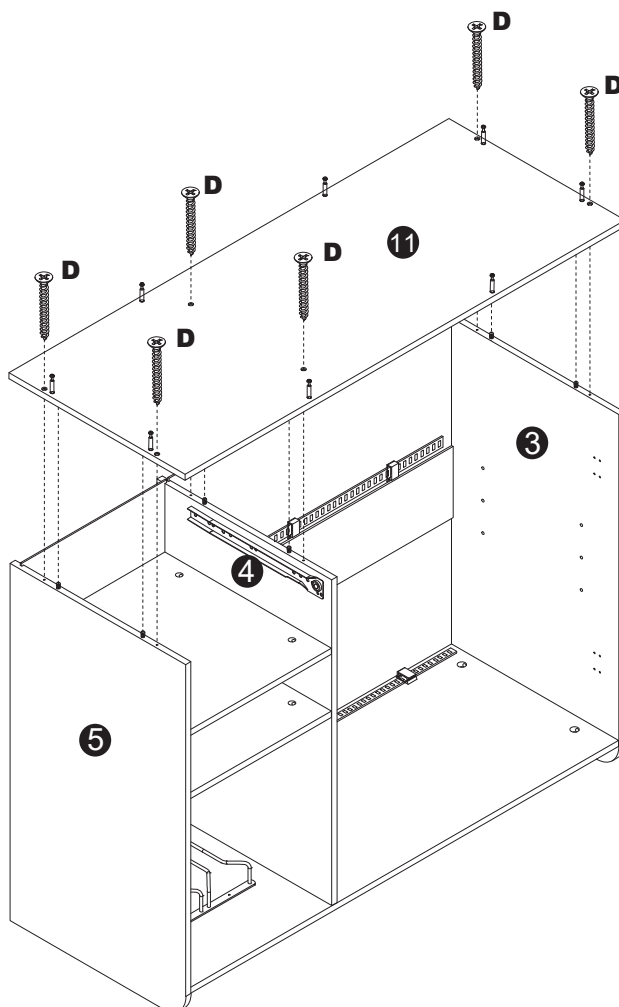
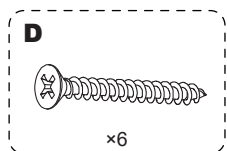
Step 14



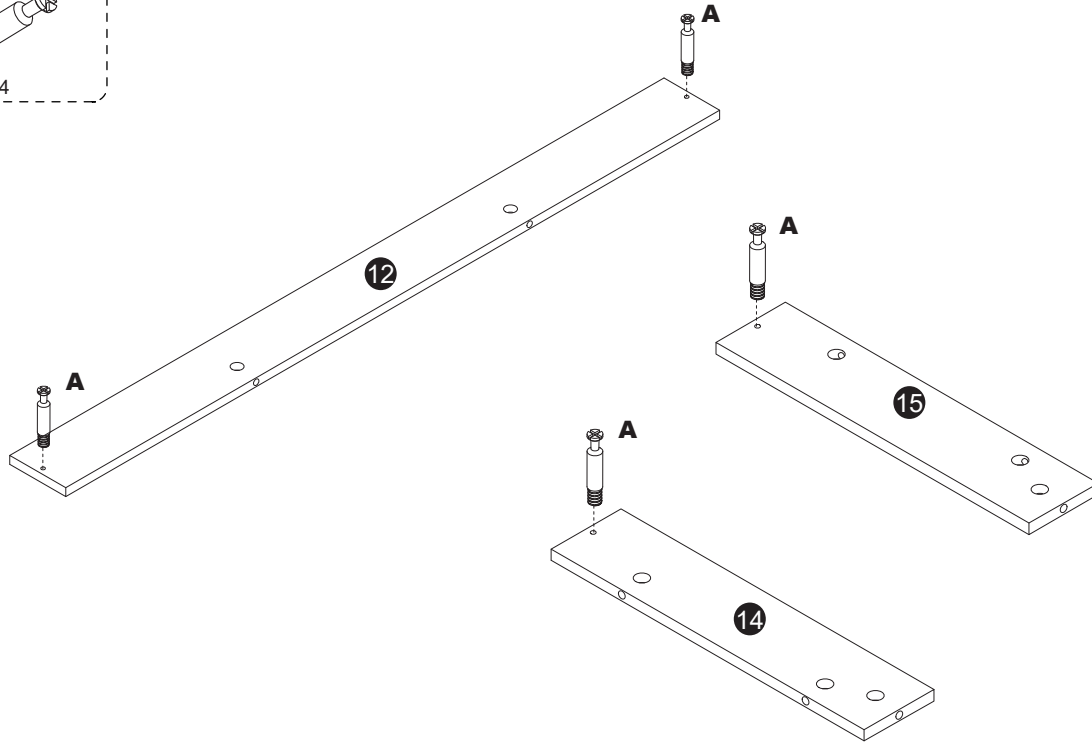
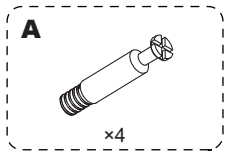
Step 15



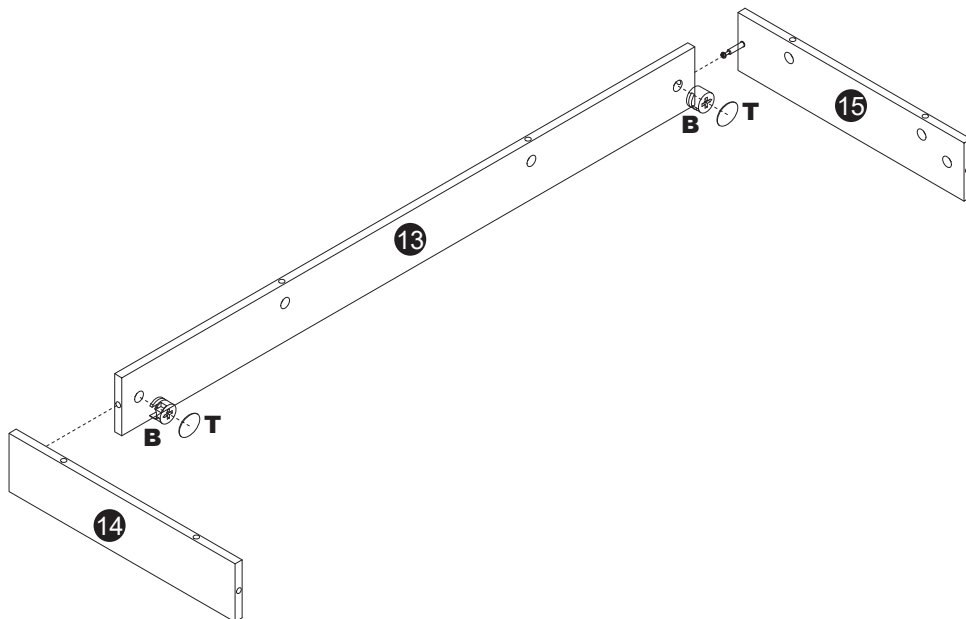
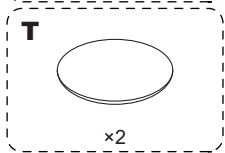
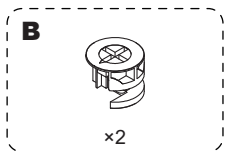
Step 16



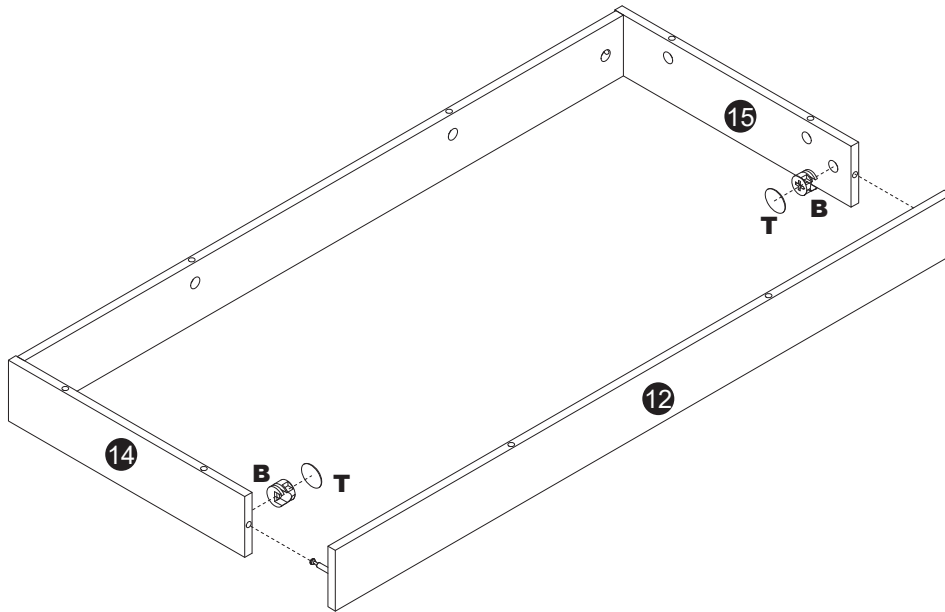
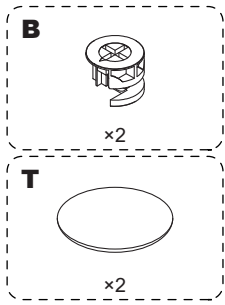
Step 17



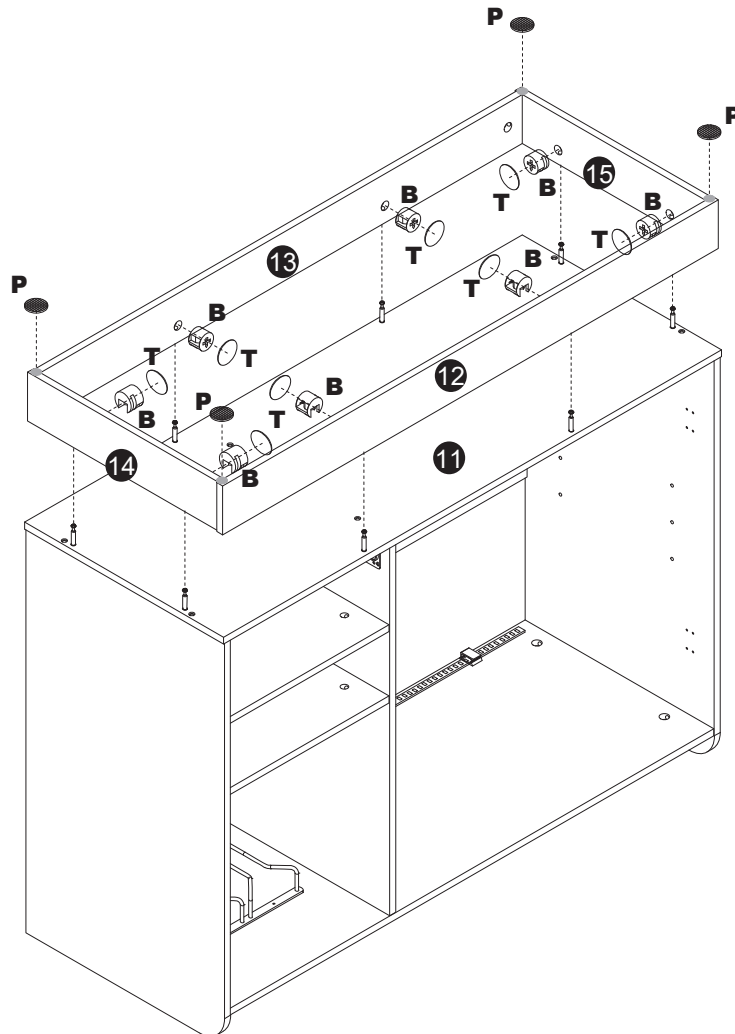
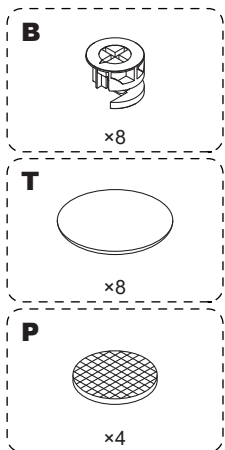
Step 18



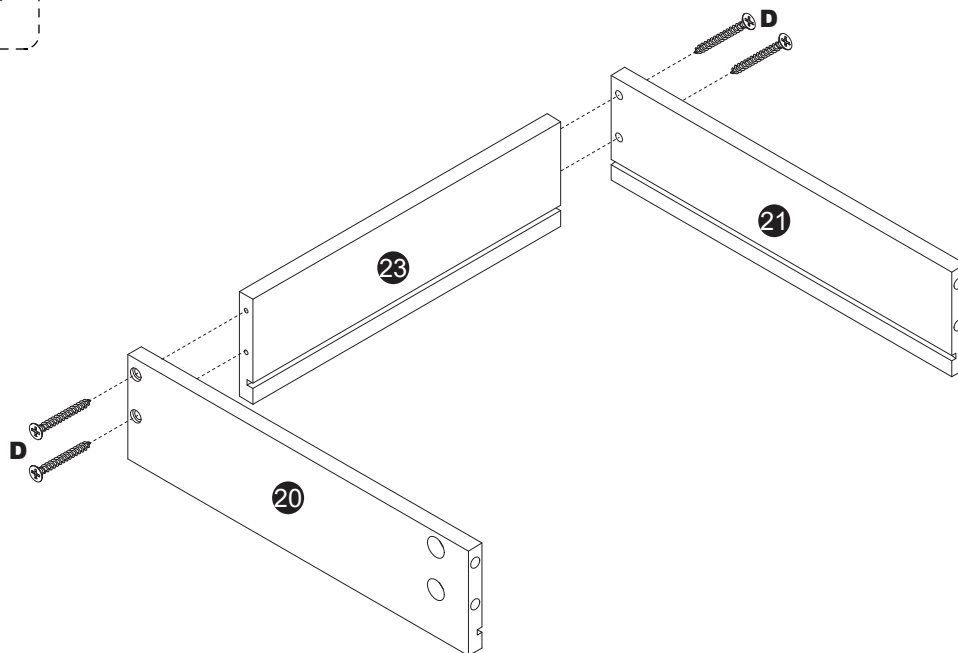
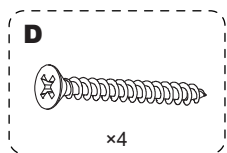
Step 19



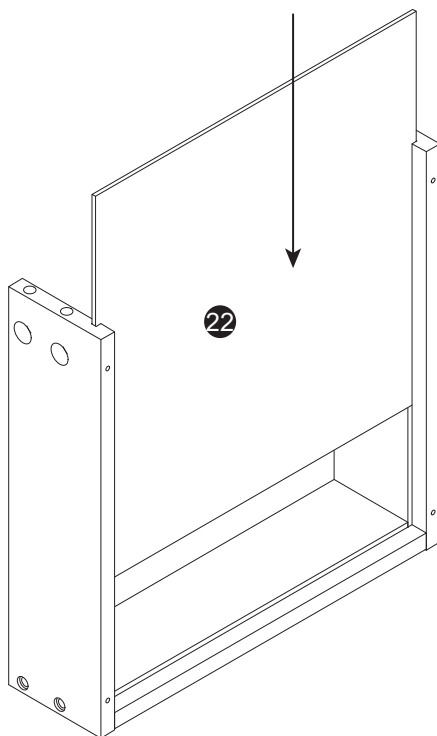
Step 20



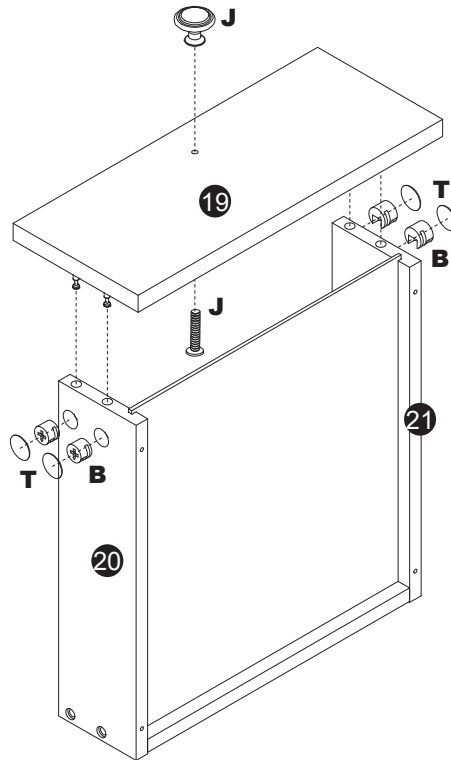
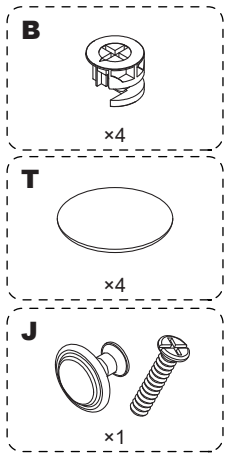
| Step21



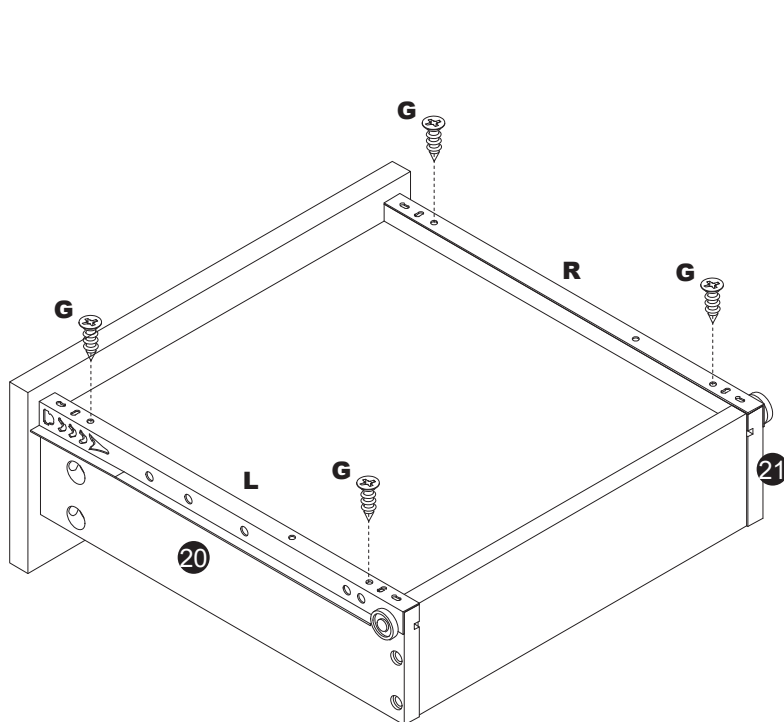
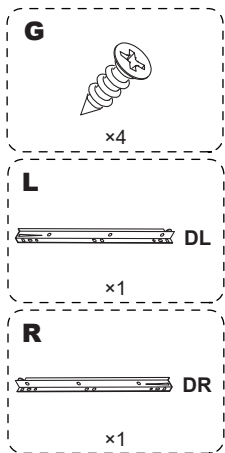
| Step22



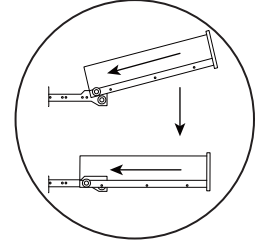
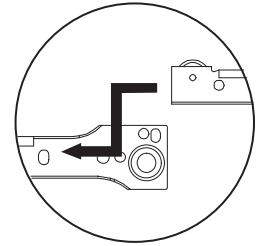
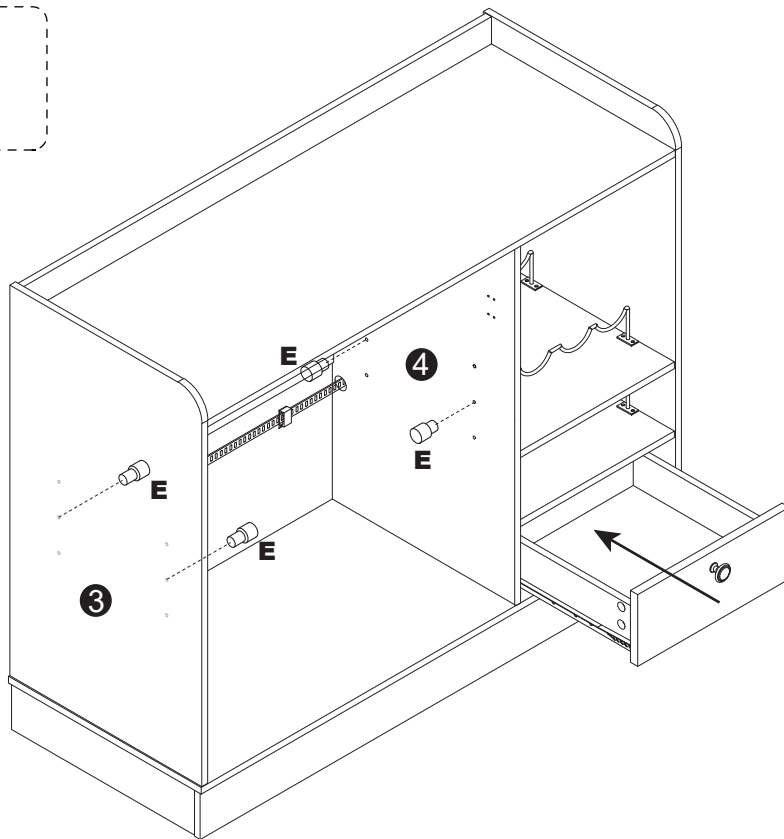
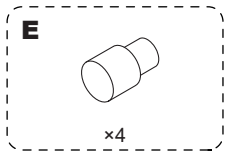
Step 23



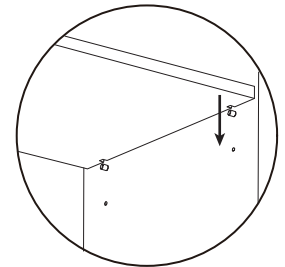
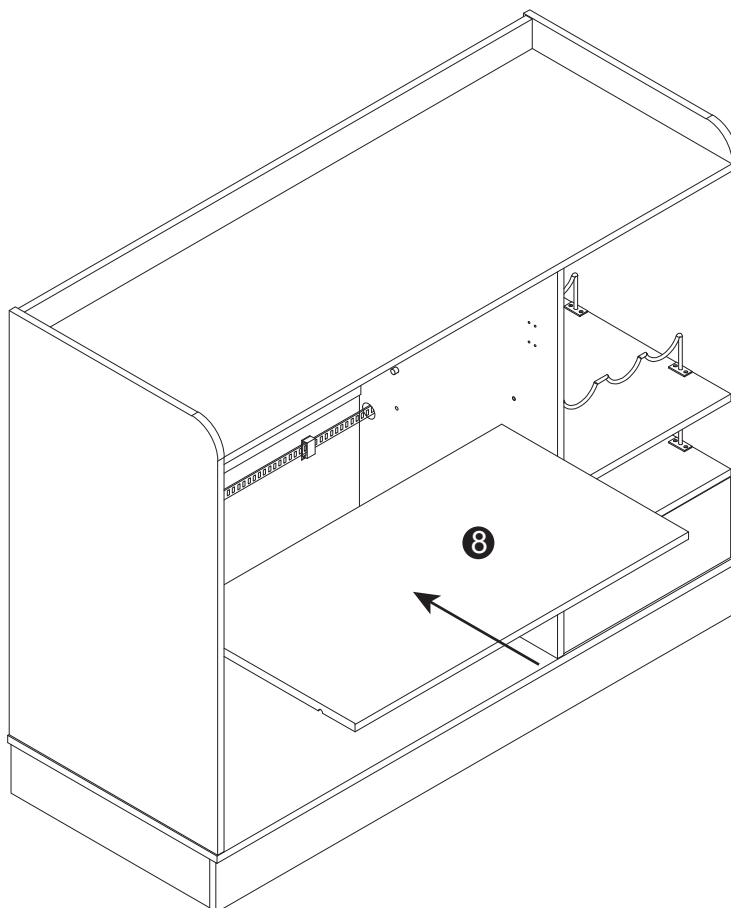
Step 24



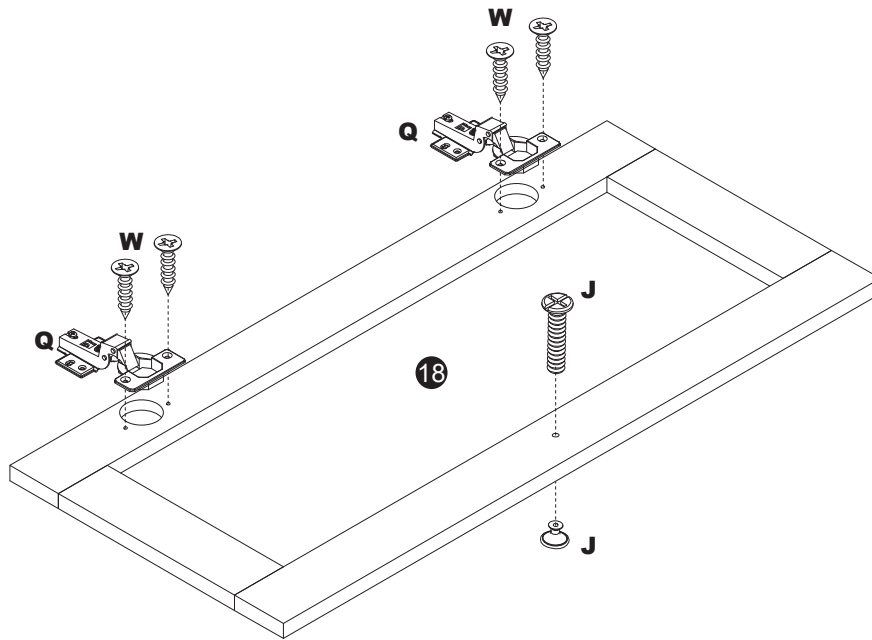
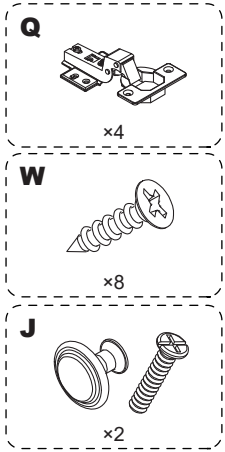
| Step25



| Step26

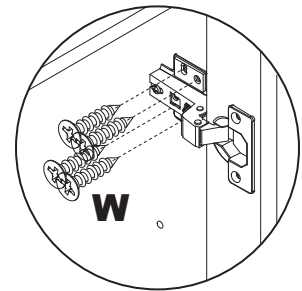
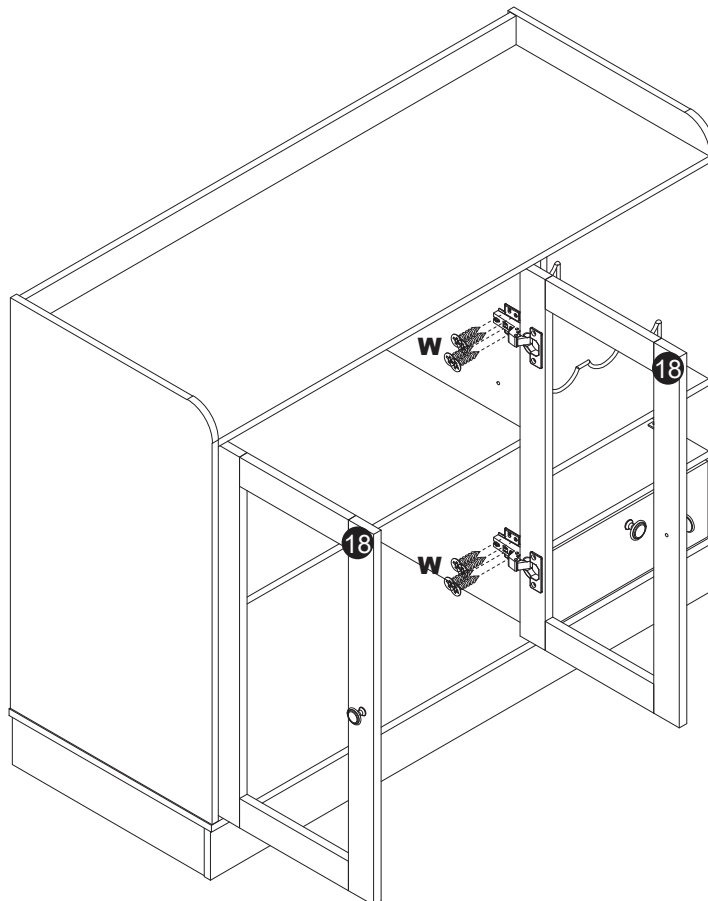
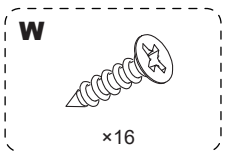


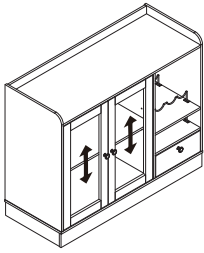
Step 27



x2

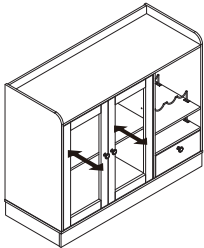
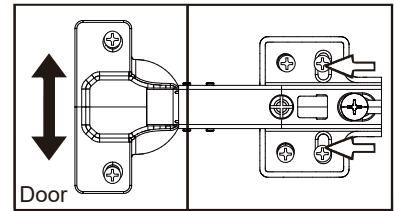
Step 28





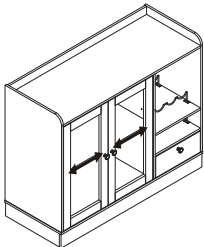
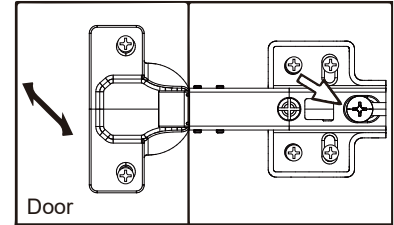
Hinge adjustment

A: To move doors up or down:
Loosen screws shown and move doors to suit.
Once doors are aligned, re-tighten screws.



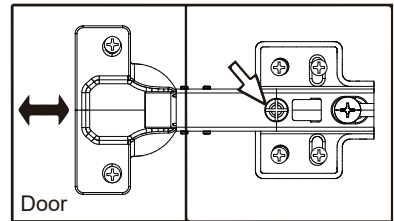
Hinge adjustment

B: To move doors in or out:
Loosen screw shown and move doors to suit.
Re-tighten screws.

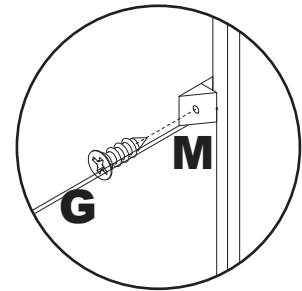
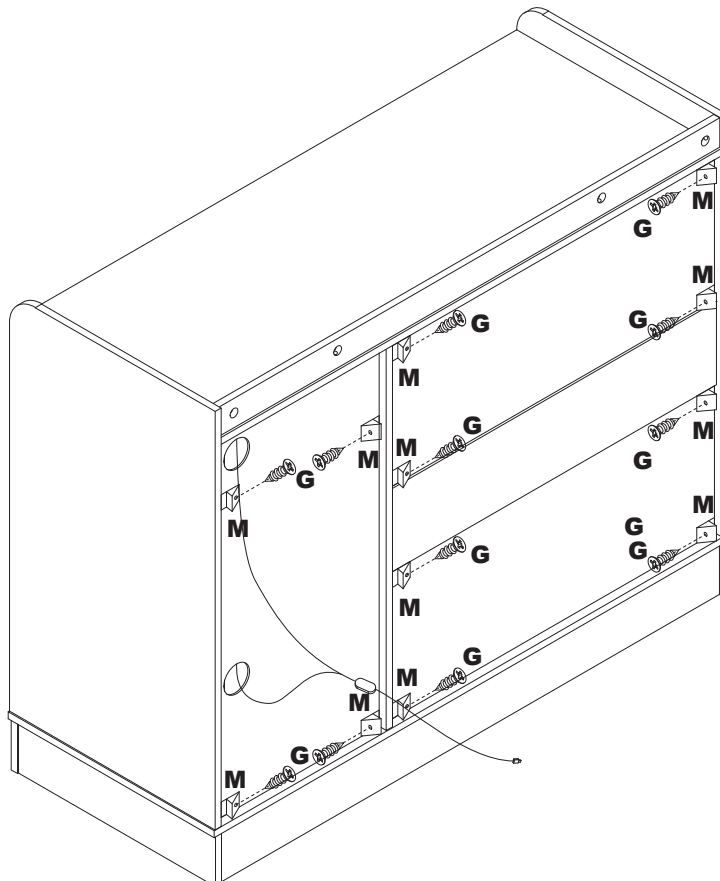
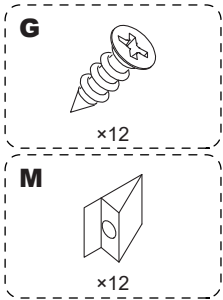


Hinge adjustment

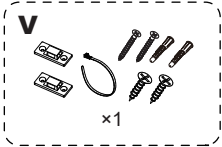
C: To move doors left or right:
Loosen screw shown and move doors to suit.
Re-tighten screws.



Step 29



Step 30

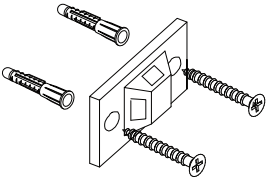


NOTE

Measure the same height as the suitable height for the Cabinet, mark the wall with a pencil as shown in the picture, then drill holes with an electric drill, insert the plastic expansion tubing, screw in the screws and install the anti-tip kit.

Anti-Tip-Over Kit

wall



Behind The Cabinet

