

E26

WARNING!



Be sure electrical power is OFF before and during installation or maintenance. The luminaire must be installed by a qualified electrician, in accordance with all applicable local codes.

Ensure that the rated luminaire voltage requirements are compatible with the available mains supply in which it will be installed. All LEDs are included in your lamp. Never touch the LED surface with your bare hands as this may reduce the life of your LED. Do not alter, relocate or remove any electrical component.

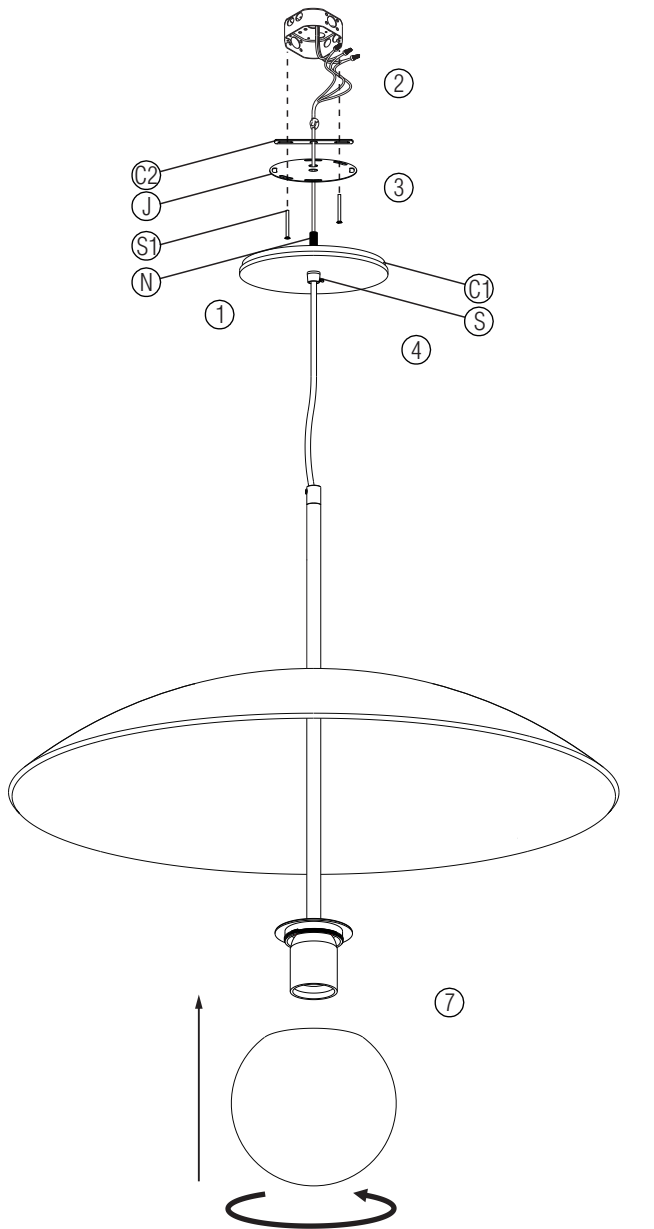
Line: Oyster
Family: Pendant
Description: Oyster Accord Pendant

Input voltage: 120 - 240V
Input frequency: 60Hz

Material: Natural Wood Vener and MDF.

Turn off the power before beginning the installation, and keep it off until the installation is complete.

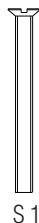
This assembly process requires the assistance of two people to be completed successfully.



- ① Pass the energy cable through the strain relief (S) fixed in the canopy (C1), through the nipple (N), junction box cover (J) and crossbar (C2).
- ② Make the electrical connections in accordance with all applicable local codes. This product must be installed in accordance with the applicable installation code by a person familiar with the construction and operation of the product, and the hazards involved
- ③ Screw the crossbar (C2) and junction box cover (J) in the junction box using the provided screws (S1).
- ④ Once the crossbar and junction box cover are fixed in the ceiling, screw the nipple (N) on it and insert the excess energy cable into the junction box through the strain relief (S).
- ⑤ Once the nipple is fixed on the junction box, screw the strain relief (S) on the nipple until the canopy is fixed and tight against the ceiling.
- ⑥ Adjust the height of the pendant and fasten the strain relief screw to lock the energy cable.
- ⑦ Install the compatible LED mini bulb (A-15) with an E-26 socket, MAX 25W

Turn on the power, your luminaire is ready for use

PROVIDED SCREWS



ATTENTION!



FAILURE TO COMPLY WITH THESE INSTRUCTIONS MAY CAUSE ACCIDENTS AND LOSS OF PRODUCT WARRANTY. Its recommended to read these instructions completely and carefully before proceeding.

SAVE THESE INSTRUCTIONS FOR FUTURE REFERENCE.

ACCORD Lighting guarantees coverage against manufacturing defects including electrical components and finishes, for a period of three years, under normal use, from the date of purchase. For warranty service, please contact your local dealer for further instructions. Proof of date of purchase will be required for validation of warranty service.

The responsibility of the manufacturer regarding the product warranty is related to the correct observation of the instructions contained in this manual. The manufacturer is not responsible for any damage to the product caused by accidents, alterations of any kind, improper usage or improper installation. See the website for additional warranty details.

ACCORD Lighting reserves the right to change the dimensions and specifications contained in this manual without prior notice, in accordance with its policy of continuous product improvement. Please, contact the manufacturer if additional information is necessary. The illustrations in this manual are for guidance only and may vary in scale, dimensions and model details.