

# CRYSTORAMA

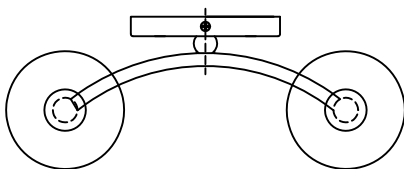
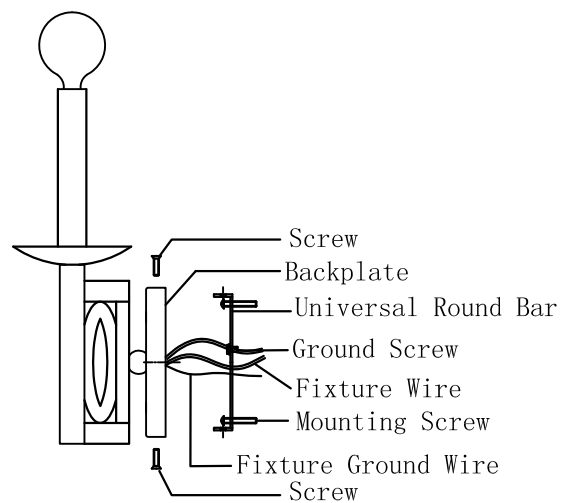
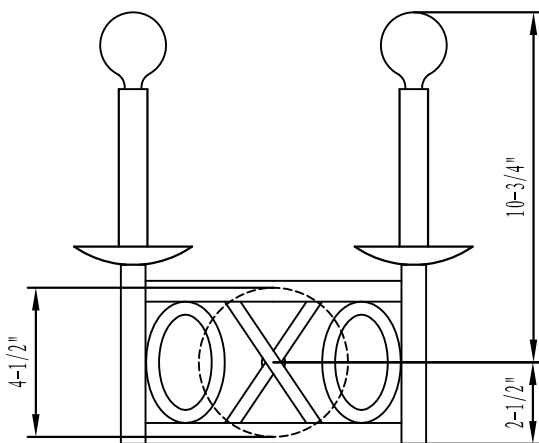
1958

95 Cantiague Rock Road, Westbury NY 11590  
ph: 516.931.9090 fax: 516.931.1254  
info@crystorama.com www.crystorama.com

## ASSEMBLY INSTRUCTIONS FOR 9242

IMPORTANT  
TURN OFF THE POWER AT THE MAIN FUSE  
OR CIRCUIT BREAKER BOX  
BEFORE STARTING INSTALLATION

Bulb  
(Not included)



2-E12 MAX 60W/C TYPE G 16-1/2

2011-6-24

