











Assembly Instructions

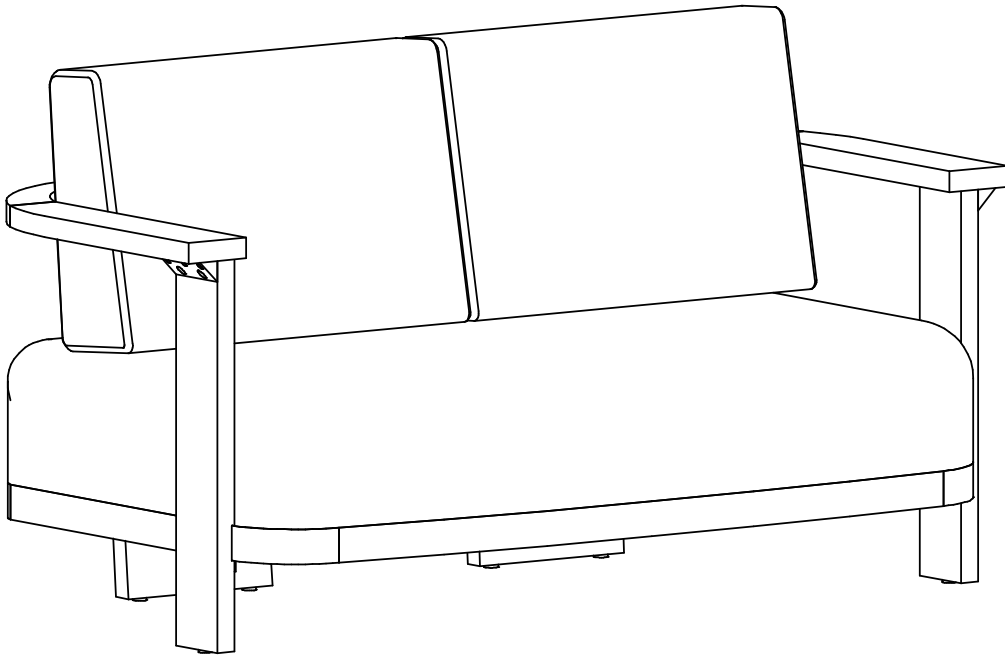
CAUTION: You must read this before you proceed.

Care & Maintenance

- ⊘  • Not for commercial use. For residential use only.
- ⊘  • Do not put hot items directly on furniture surface.
- ⊘  • Do not clean furniture with harsh cleansers or polish.
- ✓  • To obtain the longest lifespan of your outdoor products, minimizing exposure to direct sunlight is recommended.
- ⊘  • Children should not climb or jump on the furniture.
- ⊘  • Do not write on furniture without a padded barrier to protect the surface.
- ✓  • To obtain the longest lifespan of your outdoor products, avoid extended and lengthy exposure to rain, snow, and direct sunshine. Whenever possible cover the product and /or place under patio or awnings.
- ⊘  • Stains may be removed with mild soap solution and damp cloth.
- ✓  • Keep away from sources of ignition.
- ✓  • Dust and pick-up spills using a clean, non-colored, lint- free cloth.

Please look in the Seat Panel for hardware packs

LOVESEAT



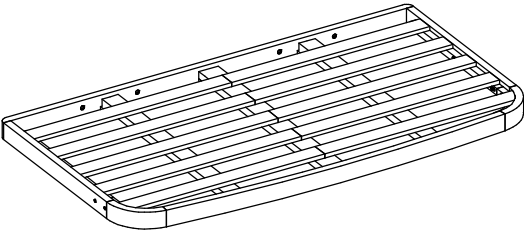
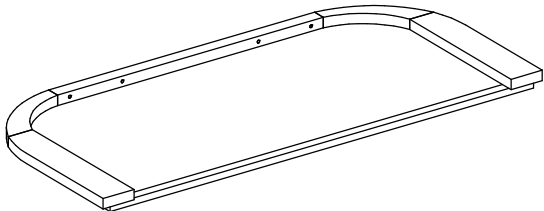
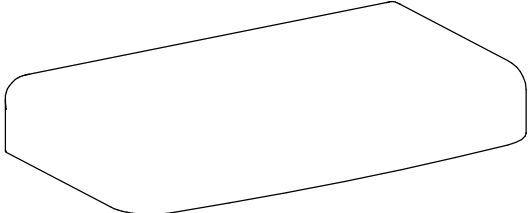
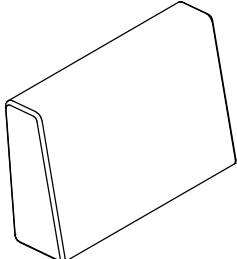


CAUTION: This Loveseat is NOT a TOY.





Keep your child / children at bay in the process of assembly.

For turning the Loveseat and to prevent damage to the Loveseat, 2 persons may be needed to execute this action.

Part list

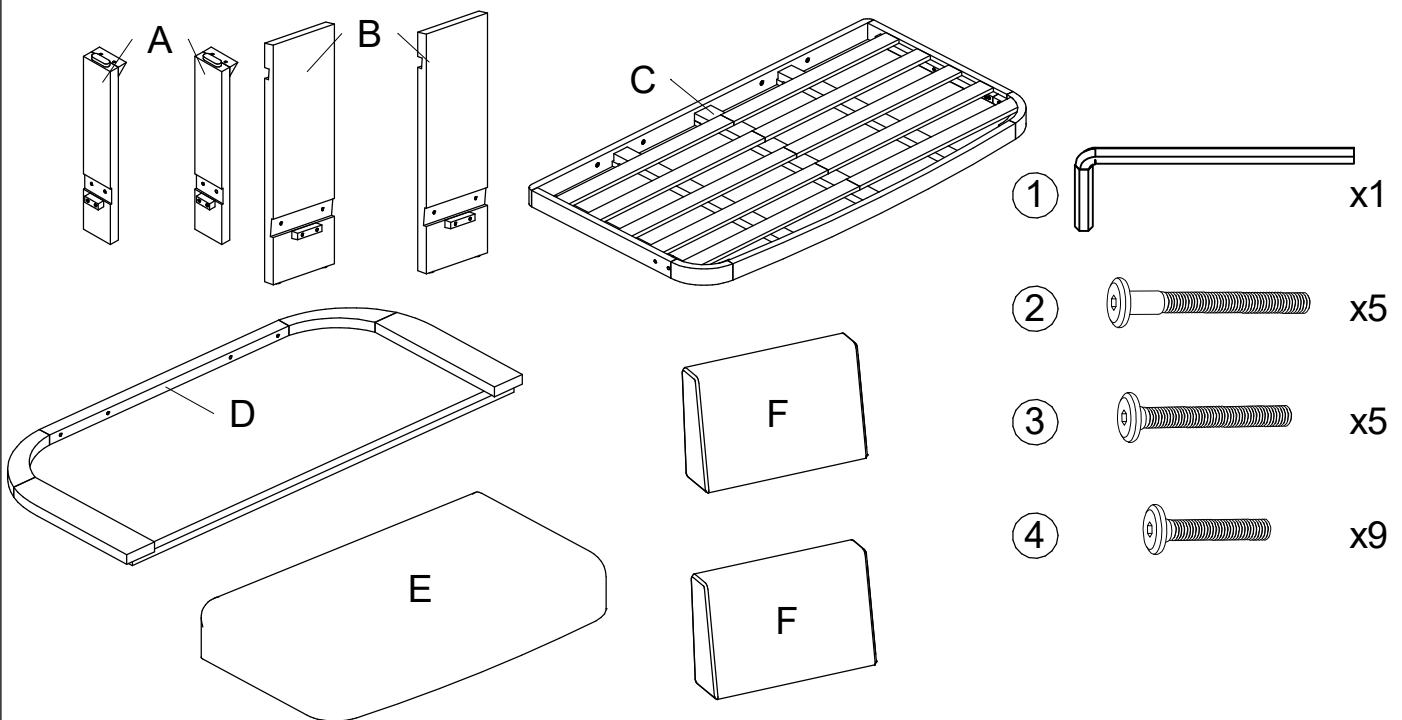
Label	Picture	Description	Qty
A	 A vertical rectangular leg with a mounting bracket at the bottom.	Front Leg	2
B	 A vertical rectangular leg with a mounting bracket at the bottom, similar to the front leg but with a different top profile.	Back Leg	2
C	 A rectangular panel with a grid of wooden slats.	Seat Panel	1
D	 A rectangular panel with rounded corners and a wooden bar across the top.	Armrest Panel with Wooden Bar	1
E	 A rectangular cushion with rounded corners.	Seat Cushion	1
F	 A rectangular cushion with a slightly curved back edge.	Back Cushion	2






Hardware

Label	Picture	Description	Qty
①		Allen Wrench	1
②		Bolt (M6*60)	5
③		Bolt (M6*50)	5
④		Bolt (M6*35)	9

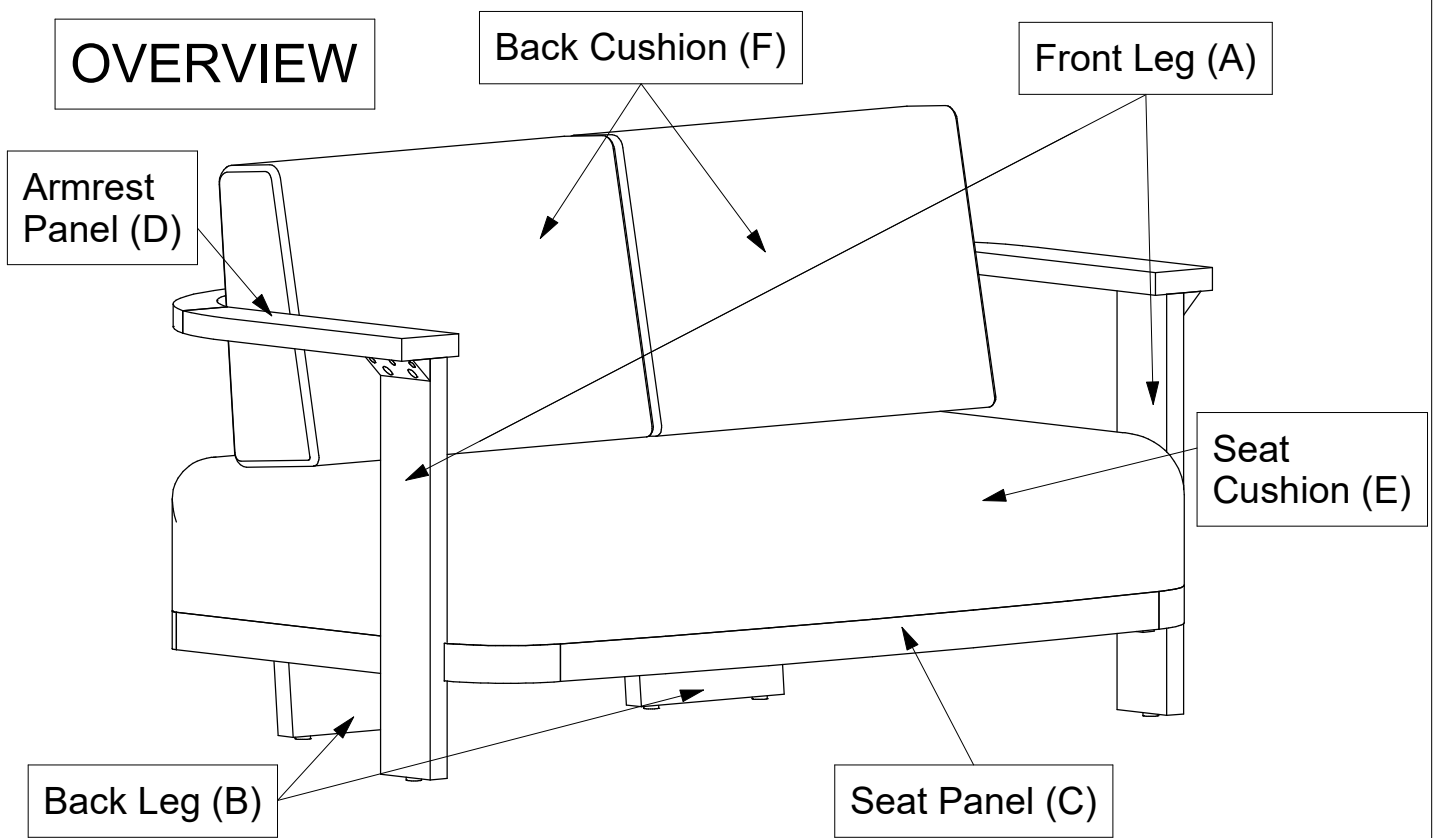
Assembly Preparation

Before Beginning Assembly:



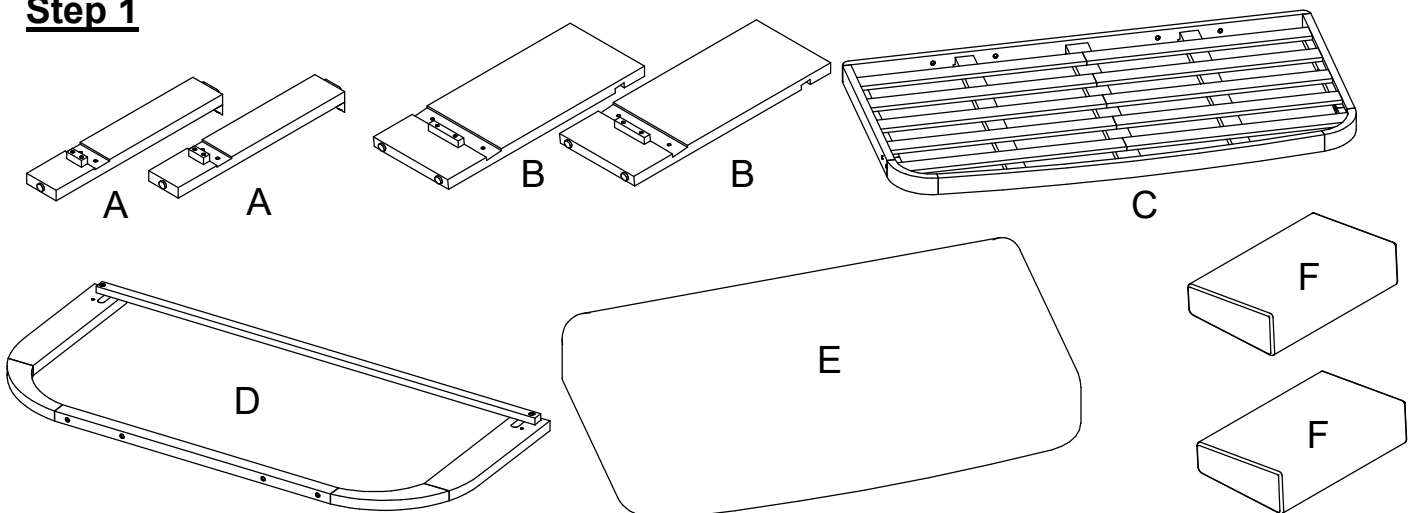
-  • Read instruction, cover to cover-
-  • Have 2 adults on hand for assembly-
-  • Do not assembly on flooring or carpet-
-  • Assemble on a clean non- marring surface (packing foam)-
-  • Save all packaging until finished-

Assembly Steps



This Loveseat has multiple parts and may require up to some 30 minutes to assemble. To give you an overview of the Loveseat, the above picture is to help you put the various parts into perspective. Please read through the instructions here below to familiarise the parts and steps before assembly.

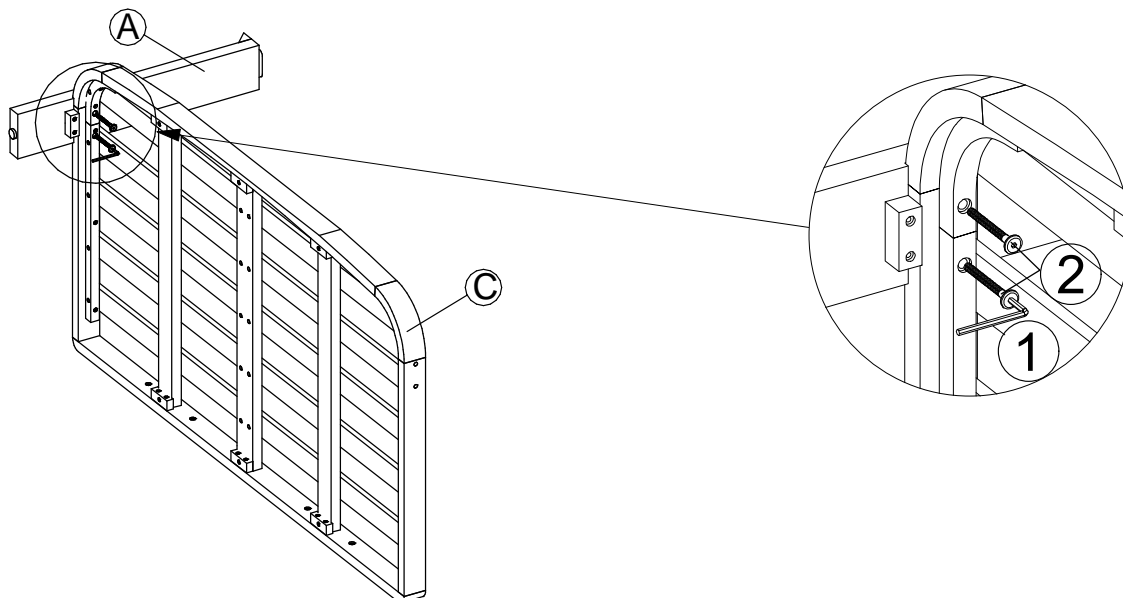
Step 1



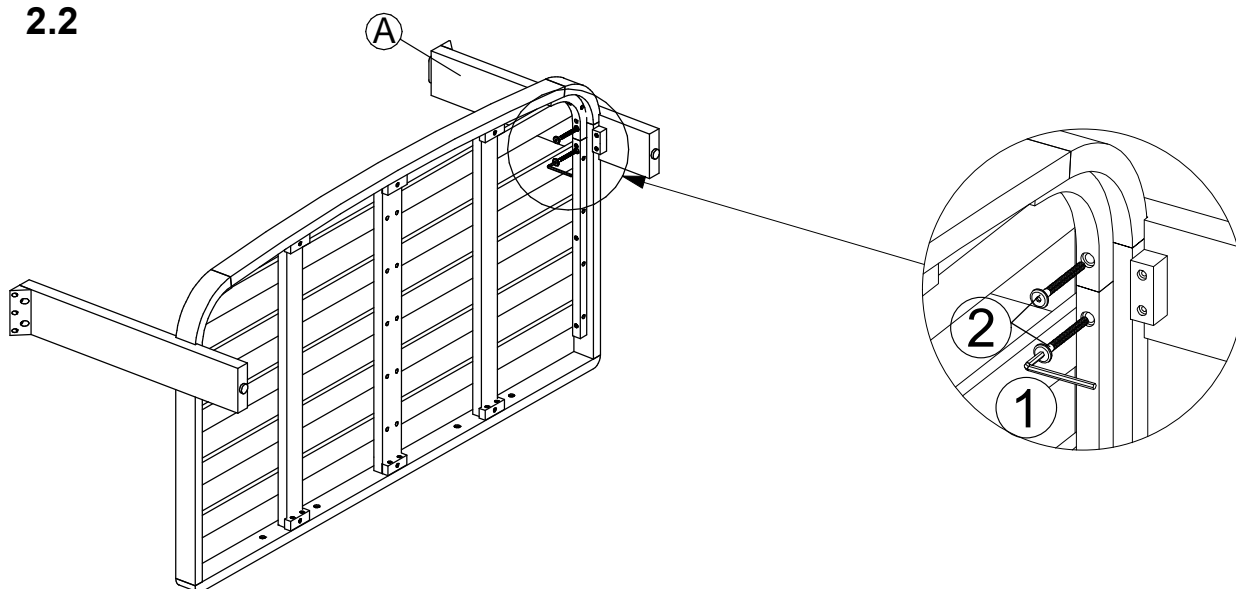
Unpack and place all parts on a clean, non-marring surface.

Step 2

2.1



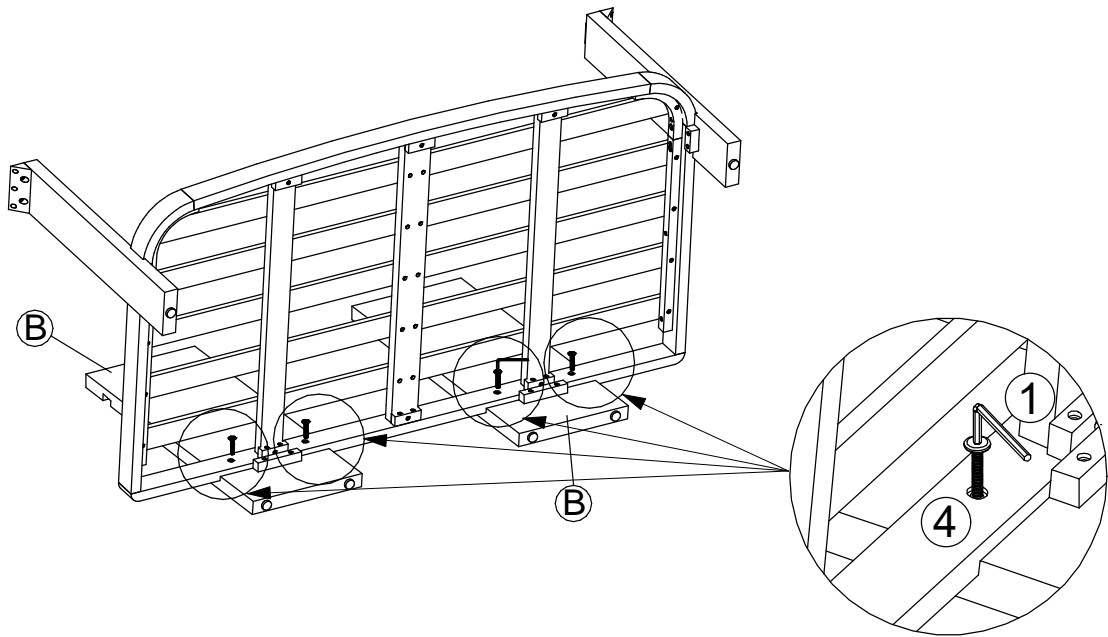
2.2



- 2.1. With assistance from your adult partners, attach Front Leg (A) to Seat Panel (C) by using 2 Bolts () with Allen Wrench () to secure as shown above picture.
- 2.2. Repeat the same process to attach other Front Leg (A).

DO NOT fully tighten the Bolts.

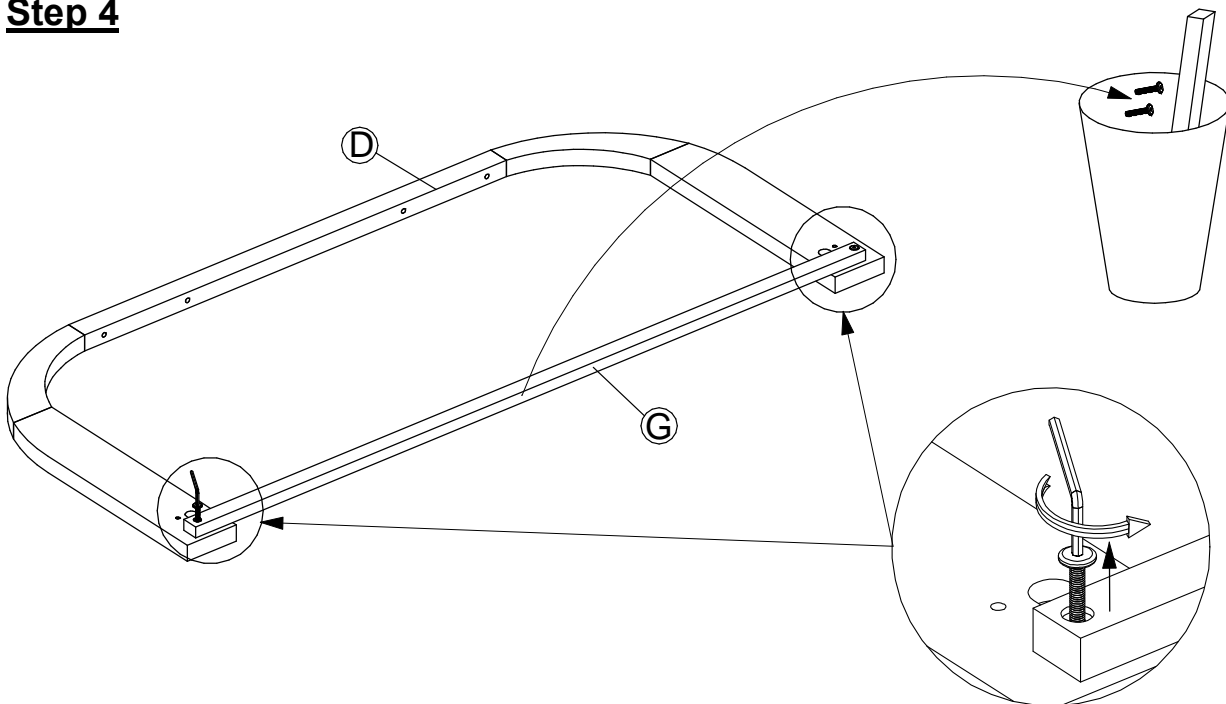
Step 3



With assistance from your adult partners, attach Seat Panel (C) to 2 Back Legs (B) by using 4 Bolts () with Allen Wrench () to secure as shown above picture.

DO NOT fully tighten the Bolts.

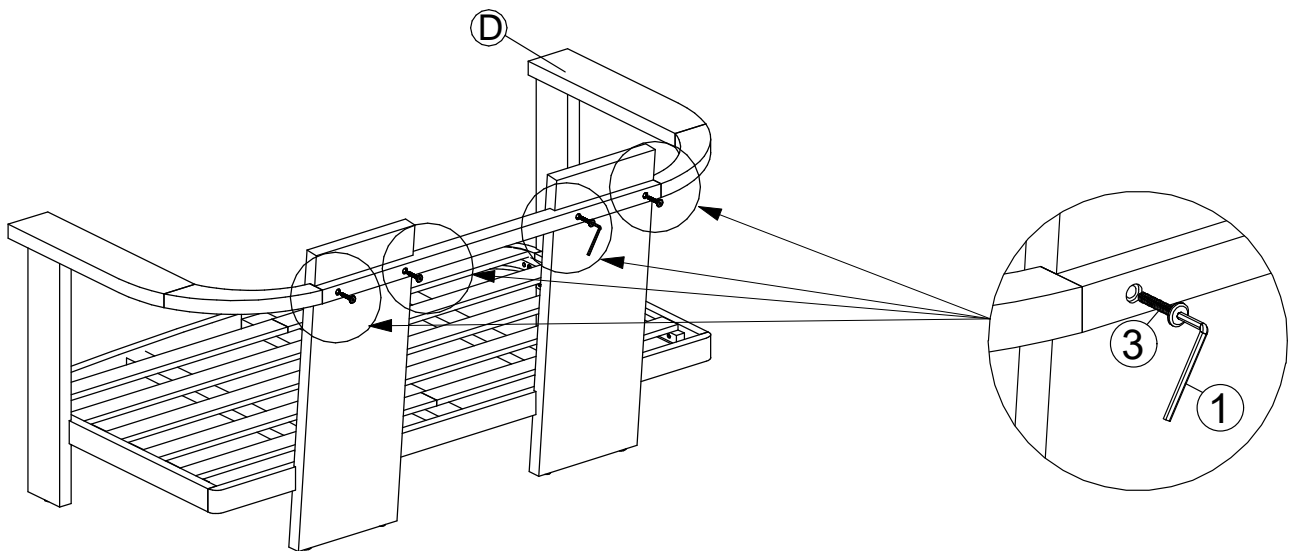
Step 4



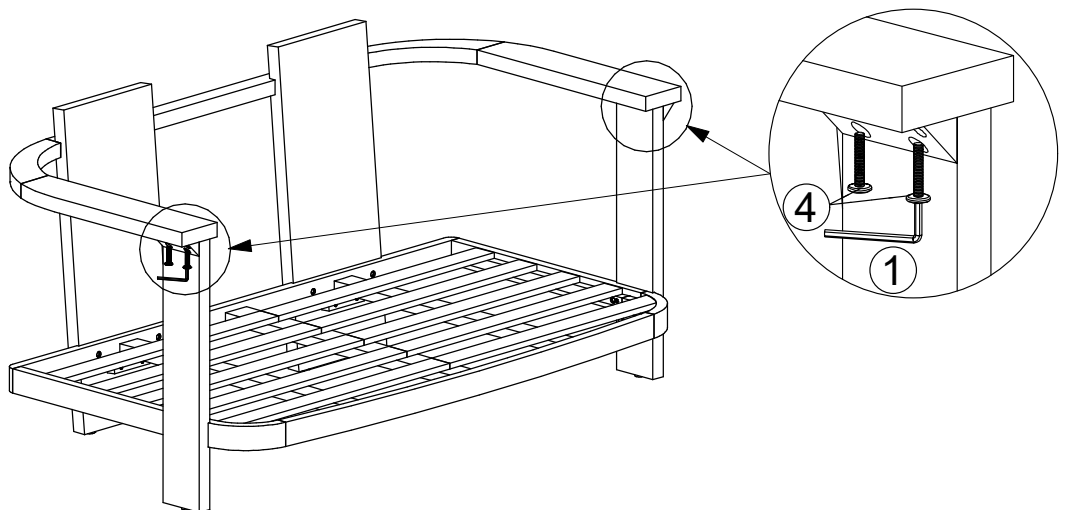
Using Allen Wrench () to remove 2 Bolts and Wooden Bar from Armrest Panel (D) , then put them in the trash and continue with step 5.

Step 5

5.1



5.2

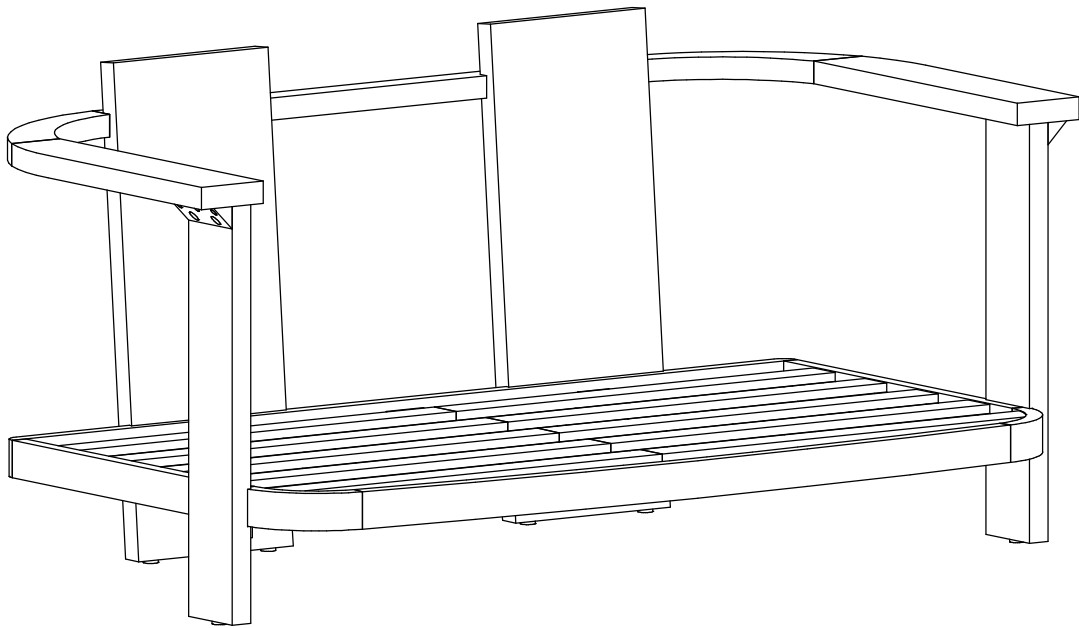


5.1. With assistance from your adult partners, attach Armrest Panel (D) to 2 Back Leg (B) by using 4 Bolts () with Allen Wrench () to secure as shown above.

5.2. Securing 2 Front Legs (A) to Armrest Panel (D) by using 4 Bolts () and Allen Wrench () as shown picture.

DO NOT fully tighten the Bolts.

Step 6



Turn the Loveseat to the right side.

Inspect it and make sure all parts are adequately connected.

Gently and gracefully, sit onto the Loveseat.

This will help to align all the parts at all joint areas.

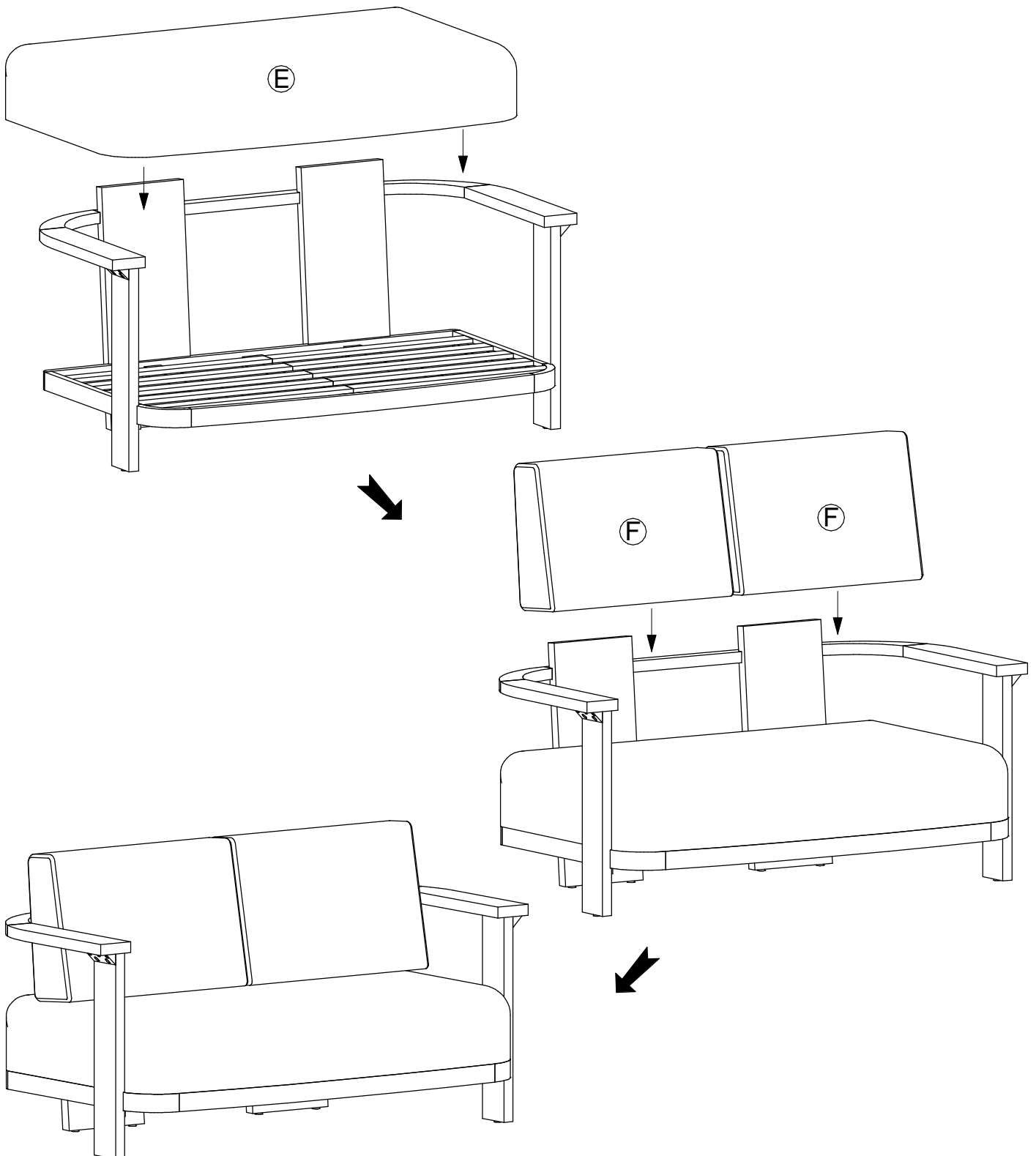
Then get off the Loveseat and proceed to tighten the Bolts and Screws in a sequential manner.

When tightening the Bolts, Screws tighten sequentially.

DO NOT tighten any Bolts, Screws fully and then move on towards the next one.

If there are still wobbles, loosen the Bolts, Screws and execute this same process.

Step 7



Place the Seat Cushion (E) and Back Cushion (F) on the Loveseat in position as shown above.

Your Loveseat is ready to use.

The Loveseat can only be used on a flat, level surface.