

## WIRE CONNECTION DIAGRAM

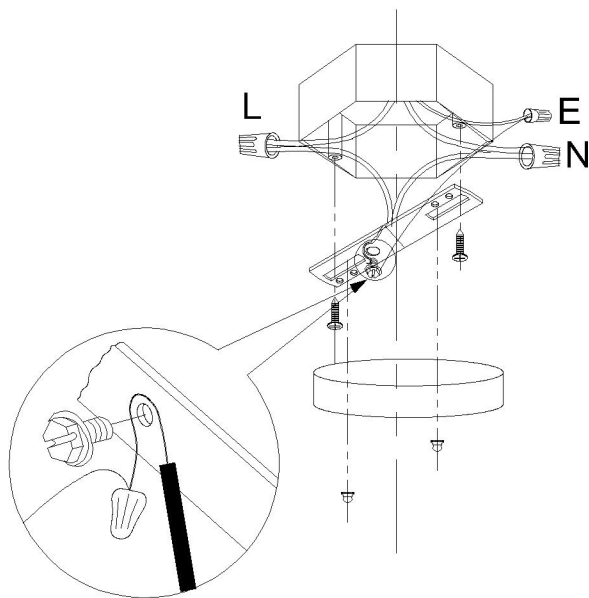
Wires met safety standards are recommended to connect the supply circuit.

**CAUTION: Risk of fire**

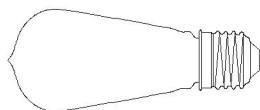


## CANOPY INSTALLATION INSTRUCTIONS

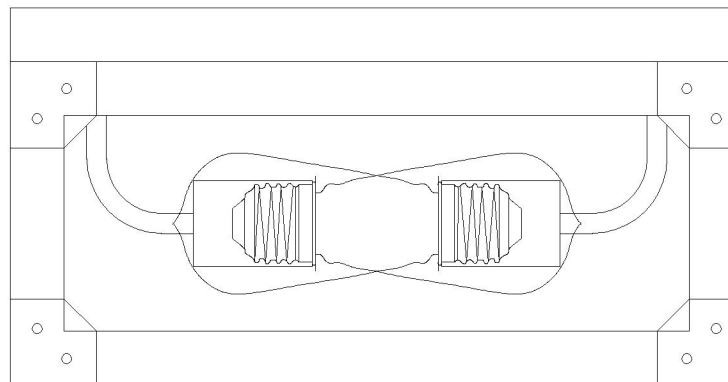
Please read all instructions carefully. Before you proceed to install, make sure that the power supply is turned off and remains off until installation is complete.



Light Bulb (Not included)



E26



( Rated 110-130V/60Hz, bulb 40W-60W maximum.)

# Assembly and Installation Steps

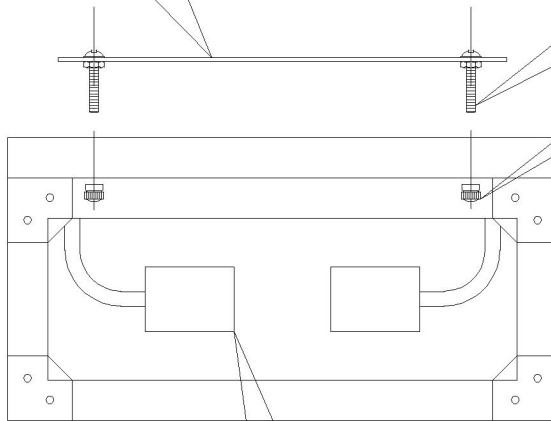
Please note: The parts in this table are completely unassembled, for illustrative purpose. In the actual product that you receive, some parts are assembled and attached together.

## Step 2

- 1A. Lock the crossbar to the junction box of the ceiling by using 2 pcs of 5/32 screws in the accessories bag.  
1B. Connect the wires. The hot/positive (+) wire is the one which has writing on it. The negative (-) wire is the one which has no writing.

## Step 3

Hang the lamp to the ceiling by attaching the screws to the nuts.



## Step 1

Install 2 E26 bulbs  
(Not included).

