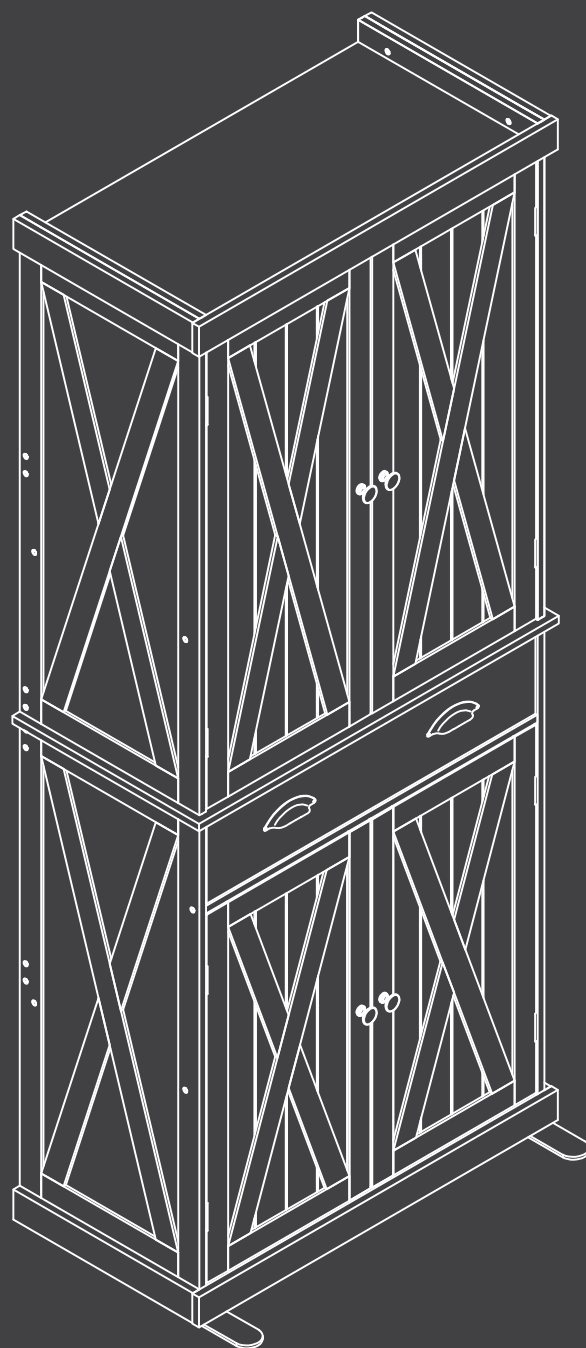
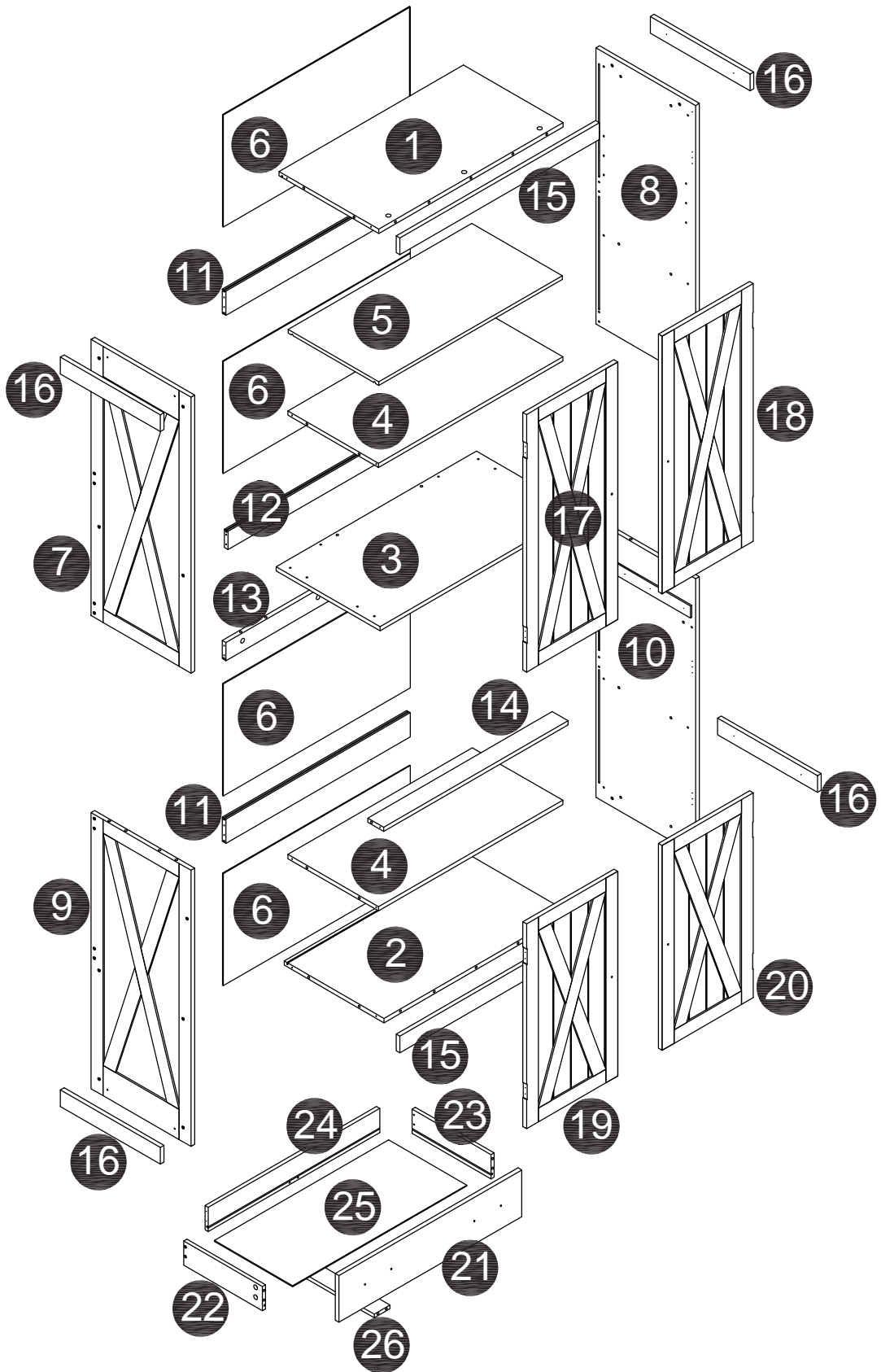


KITCHEN CABINET

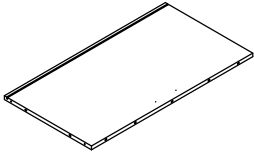
Instruction manual



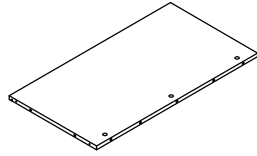


1 Component List

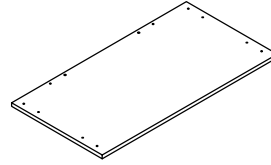
1 X1



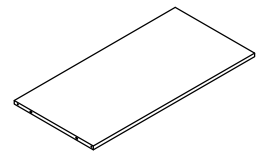
2 X1



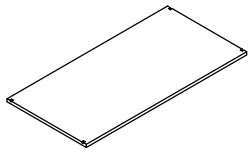
3 X1



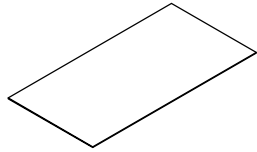
4 X2



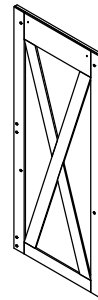
5 X1



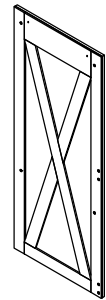
6 X4



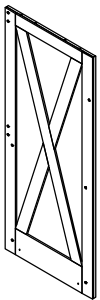
7 X1



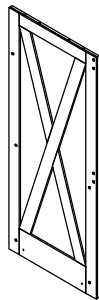
8 X1



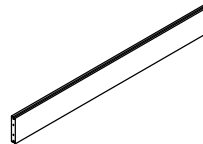
9 X1



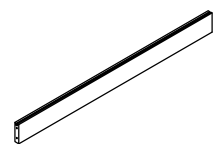
10 X1



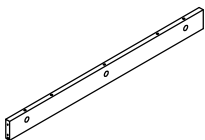
11 X2



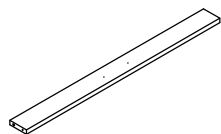
12 X1



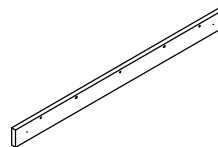
13 X1



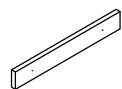
14 X1



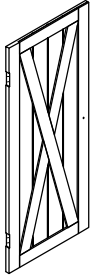
15 X2



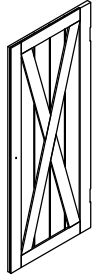
16 X4



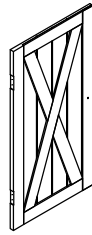
17 X1



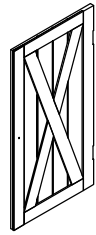
18 X1



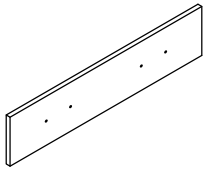
19 X1



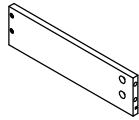
20 X1



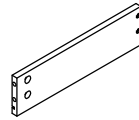
21 X1



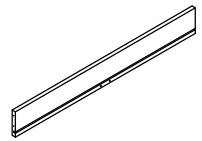
22 X1



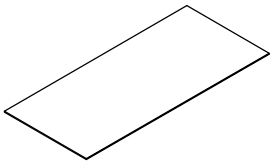
23 X1



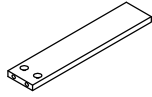
24 X1



25 X1



26 X1



2 Supplied Parts and Hardware

A X19+1



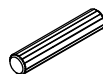
Ø6x34mm

B X19+1



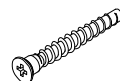
Ø15x9.5mm

C X34+2



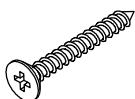
Ø8x30mm

D X40+2



Ø9.5*Ø6.2*40mm

E X6



Ø4*30mm

F X112+2



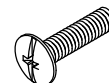
Ø3.5x12mm

G X4



Ø3.5x15mm

H X4



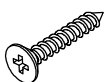
Ø5/32"x19mm

I X4



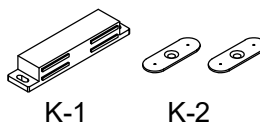
Ø5/32"x6mm

J X8



Ø3.5x22mm

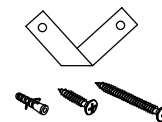
K X2SETS



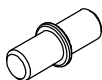
K-1

K-2

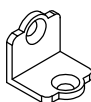
L X2SETS



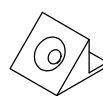
M X4



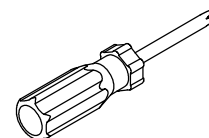
N X2



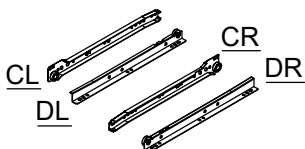
O X18



P X1



Q X1 SET



L300mm

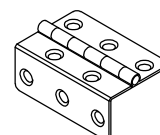
R X4



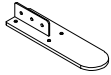
S X2



T X8

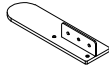


V X1



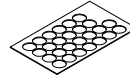
Left Lifter

W X1

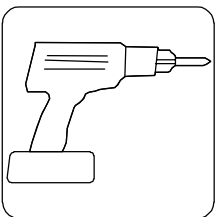


Right Lifter

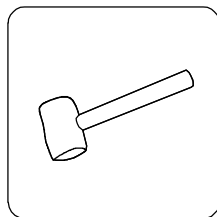
X X26



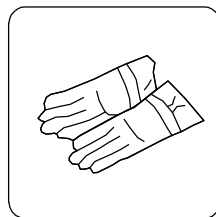
Please have the following auxiliary tools ready:
Bitte halten Sie folgende Hilfswerkzeuge bereit:
Veuillez préparer les outils auxiliaires suivants :
Si prega di avere pronti i seguenti strumenti ausiliari:
Por favor, tenga listas las siguientes herramientas auxiliares:



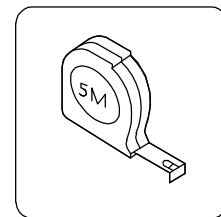
Electric Drill



Hammer



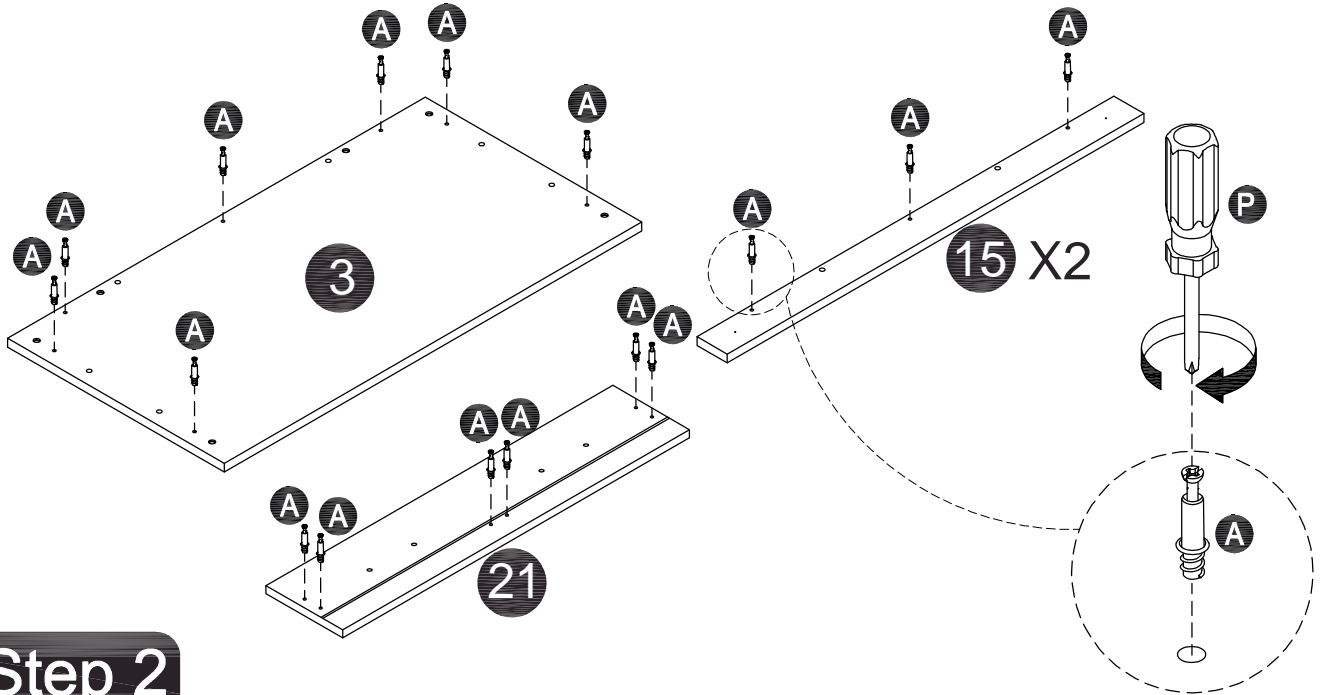
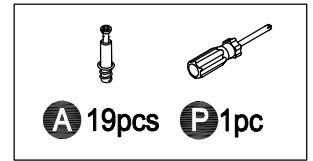
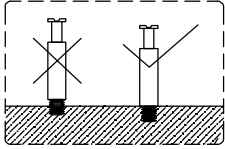
Gloves



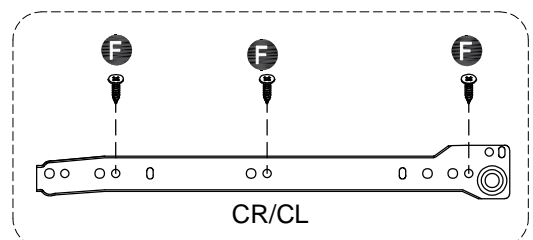
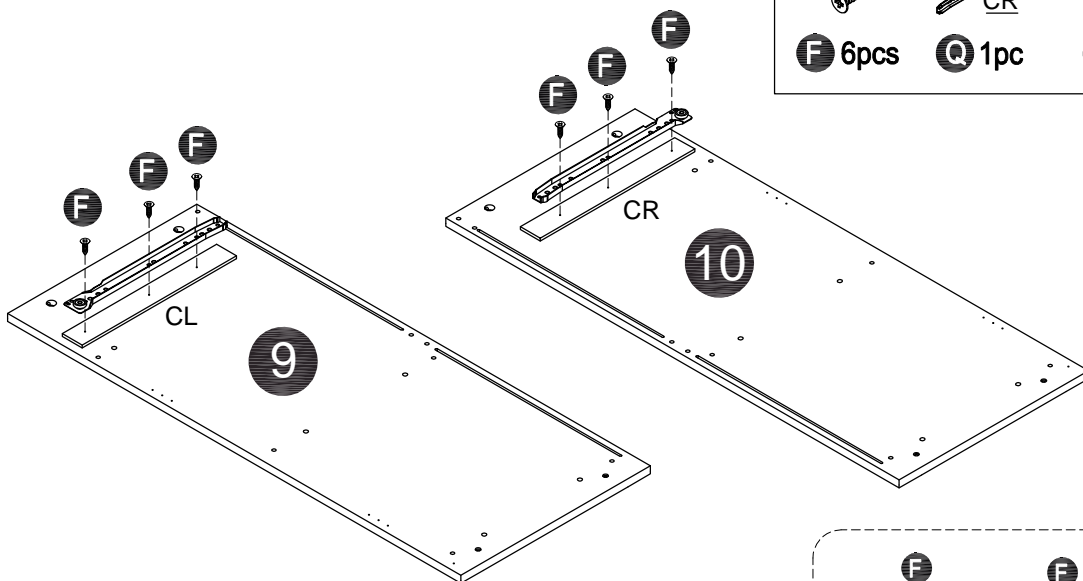
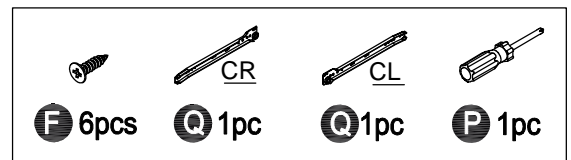
Tape Measure 5M

NOTE: This product requires at least two people for installation.

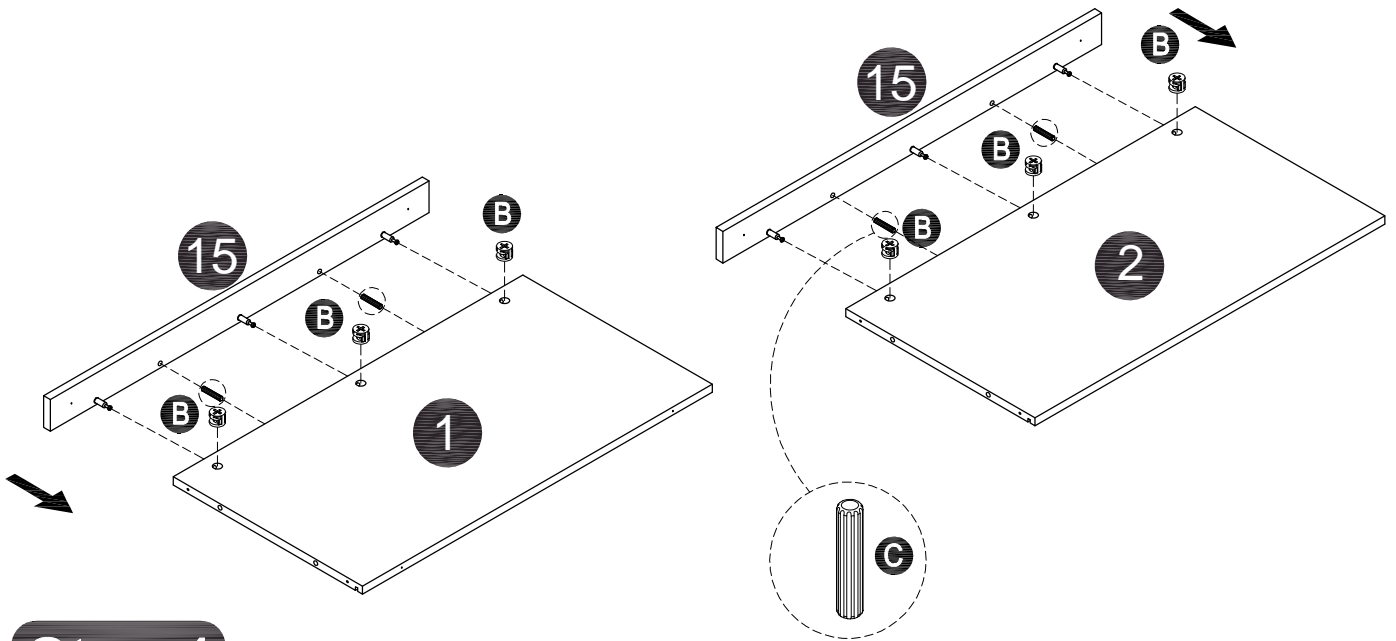
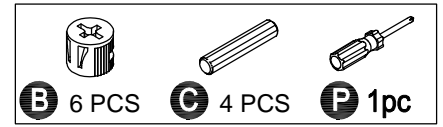
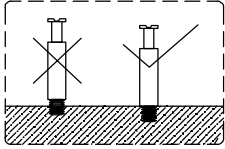
Step 1



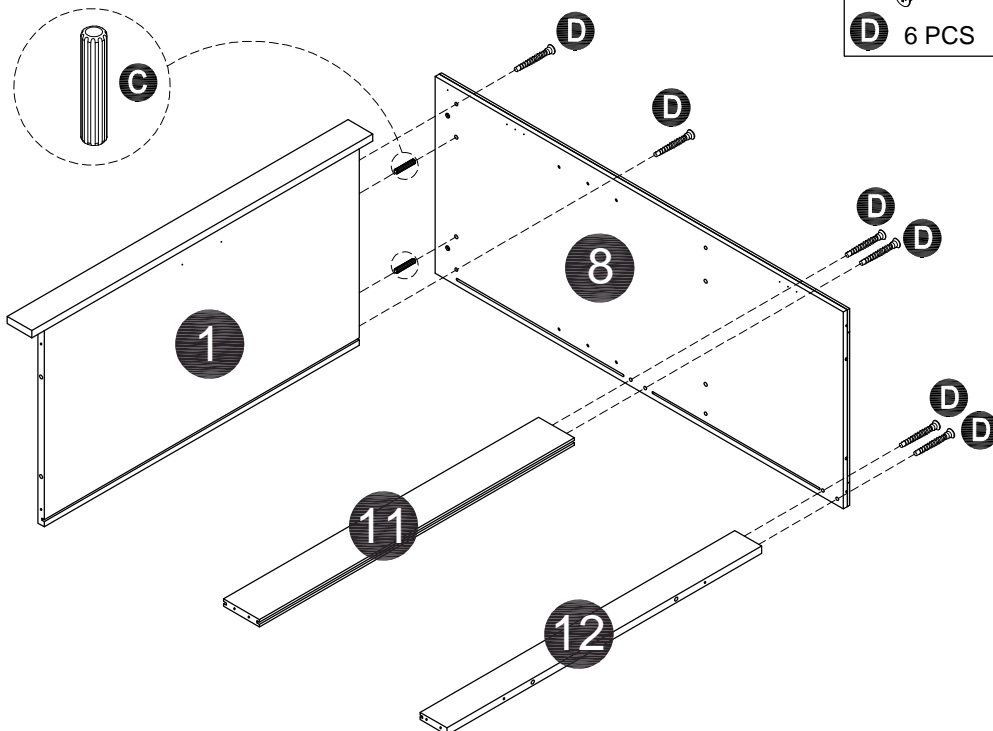
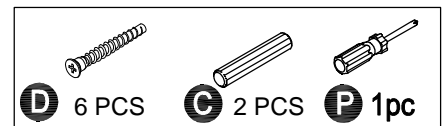
Step 2



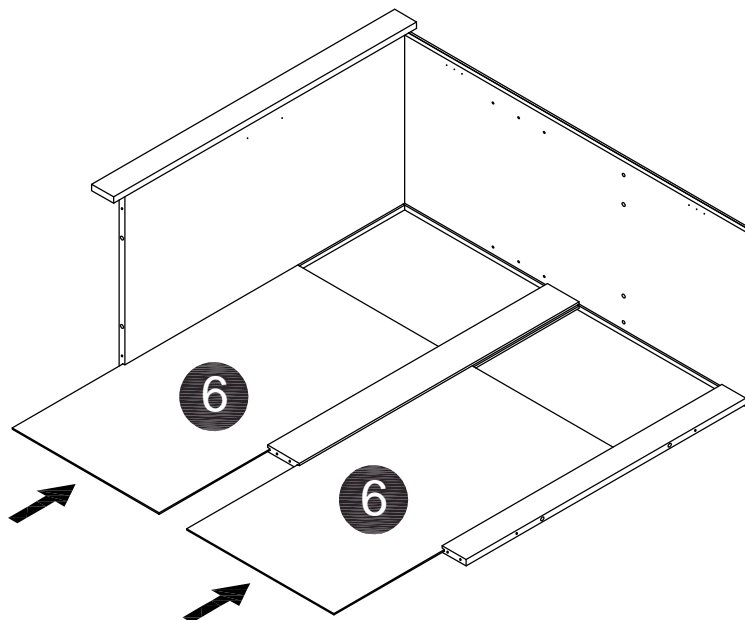
Step 3



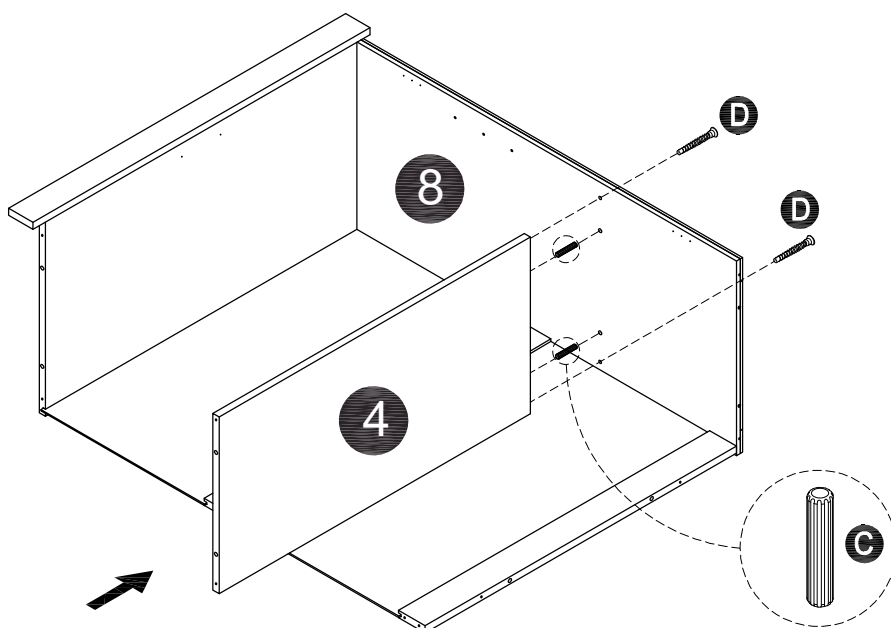
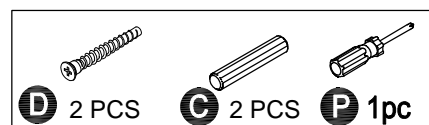
Step 4



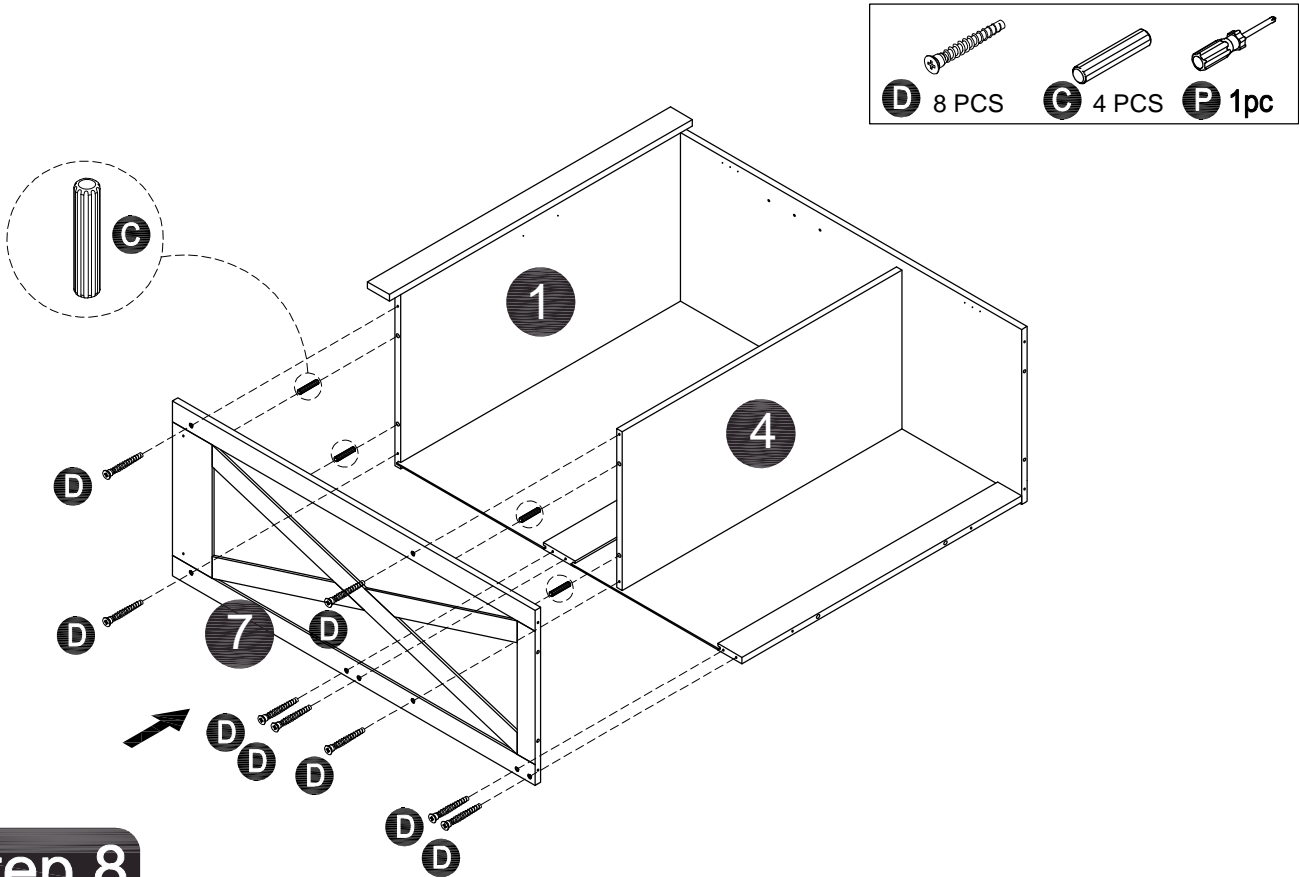
Step 5



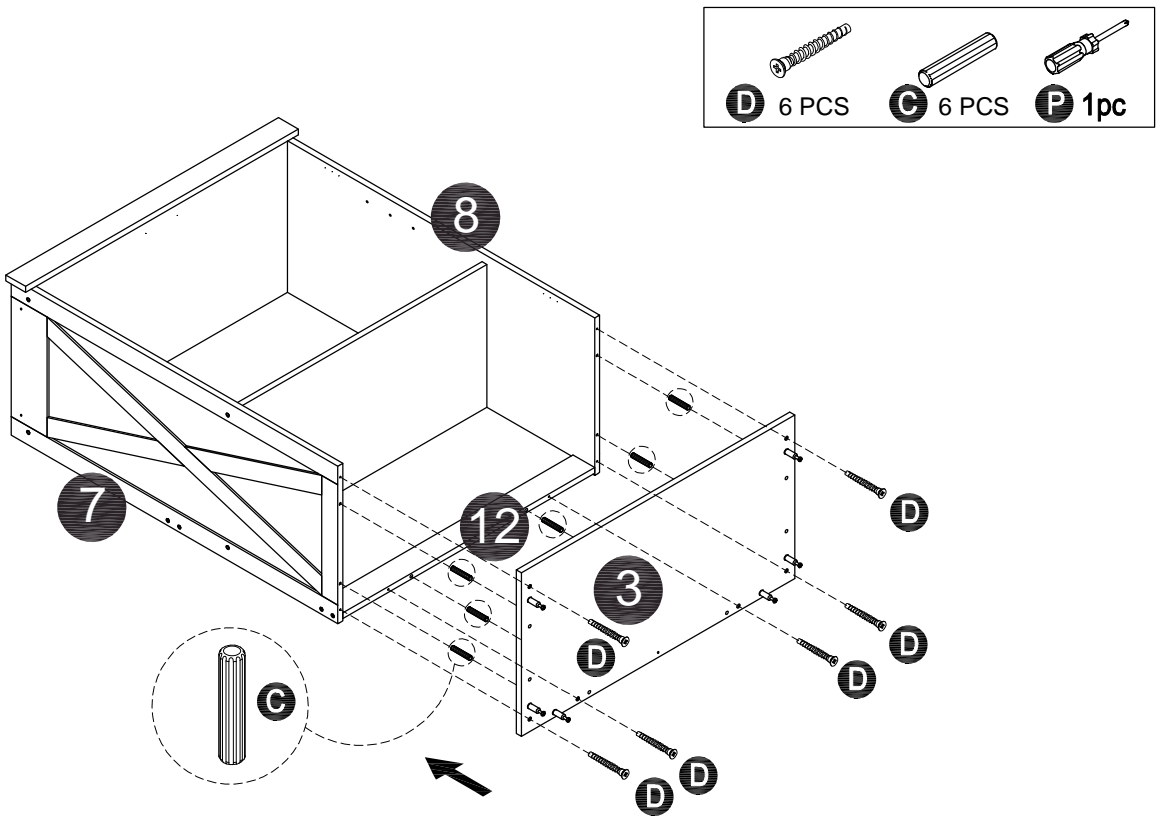
Step 6



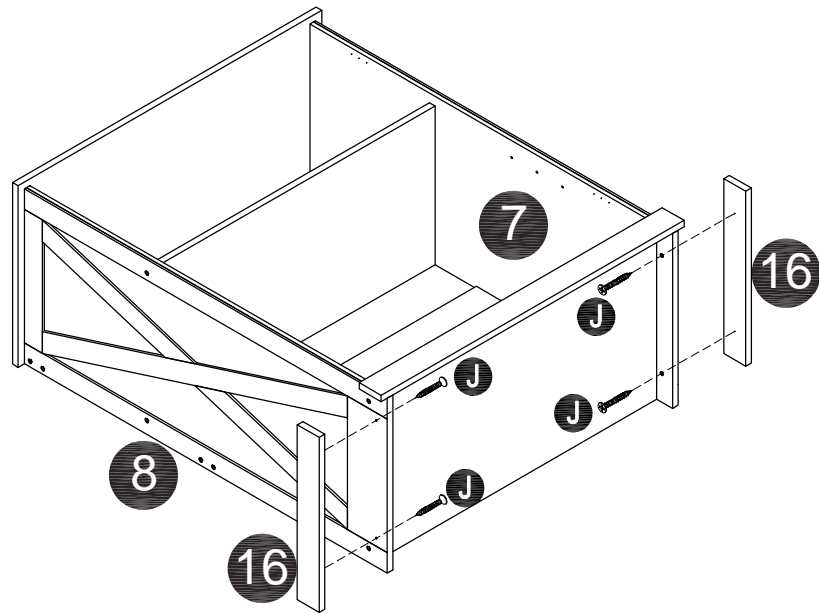
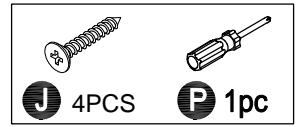
Step 7



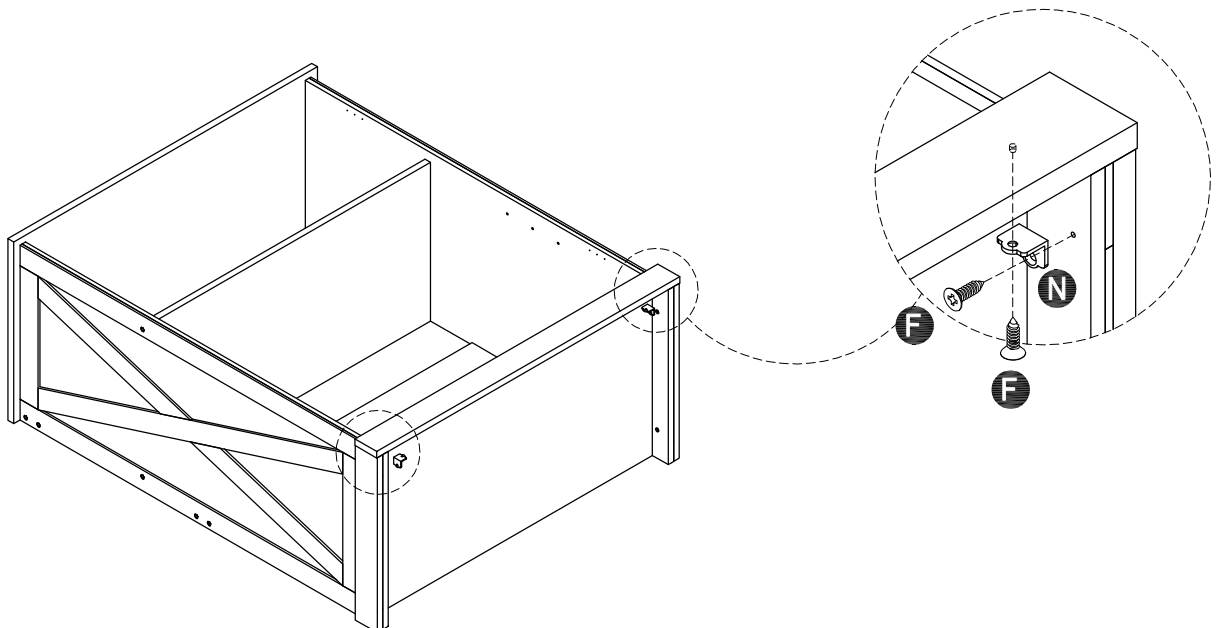
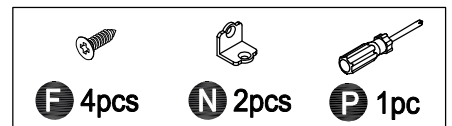
Step 8



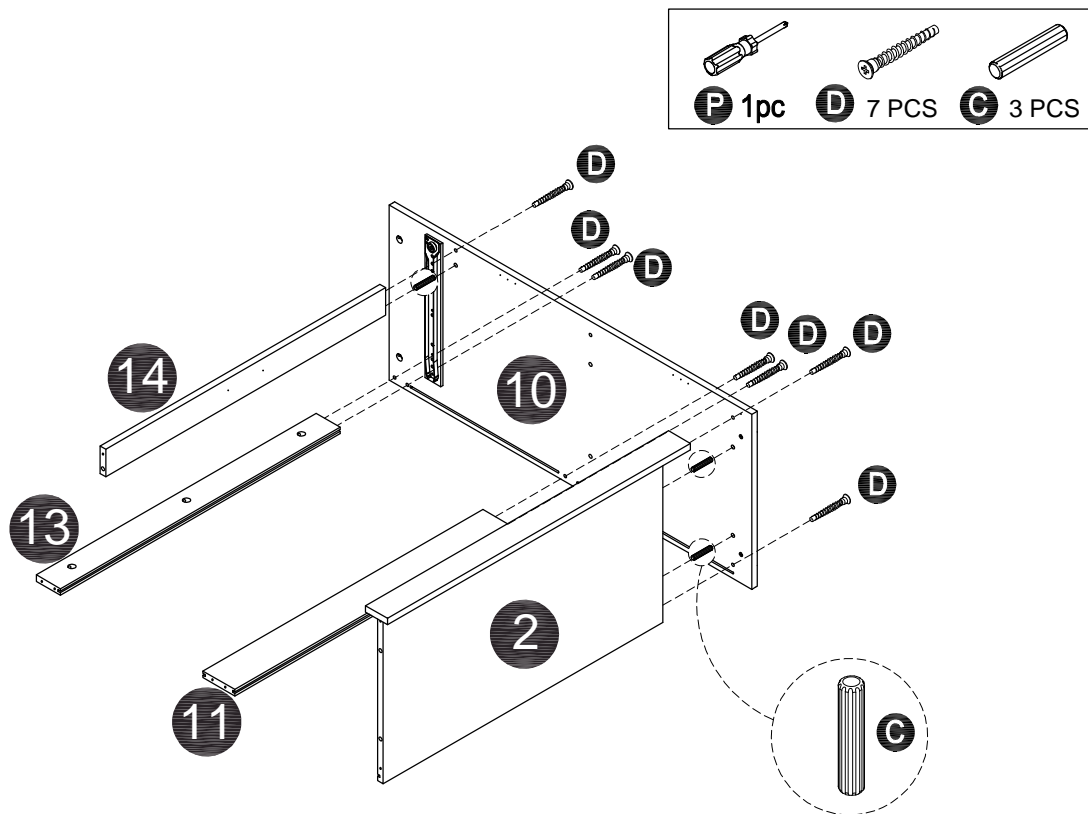
Step 9



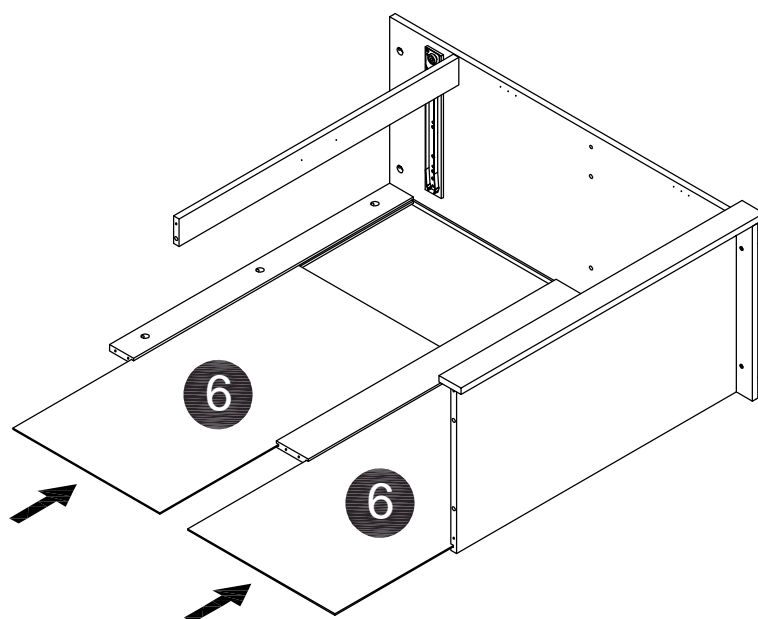
Step 10



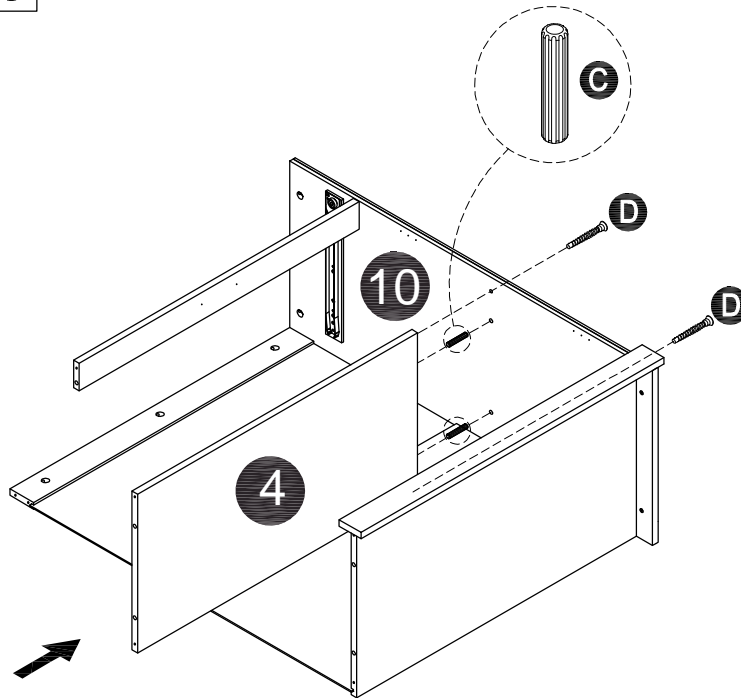
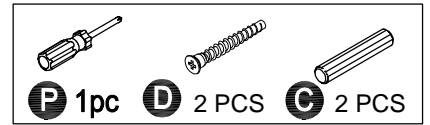
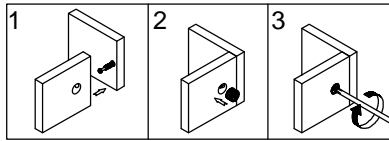
Step11



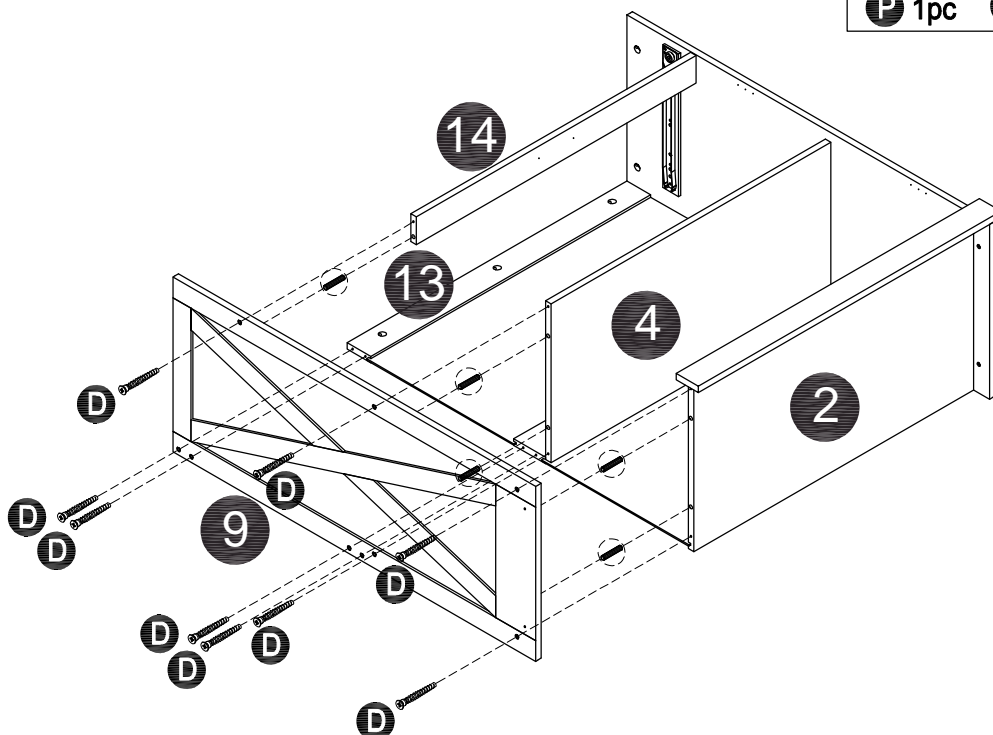
Step12



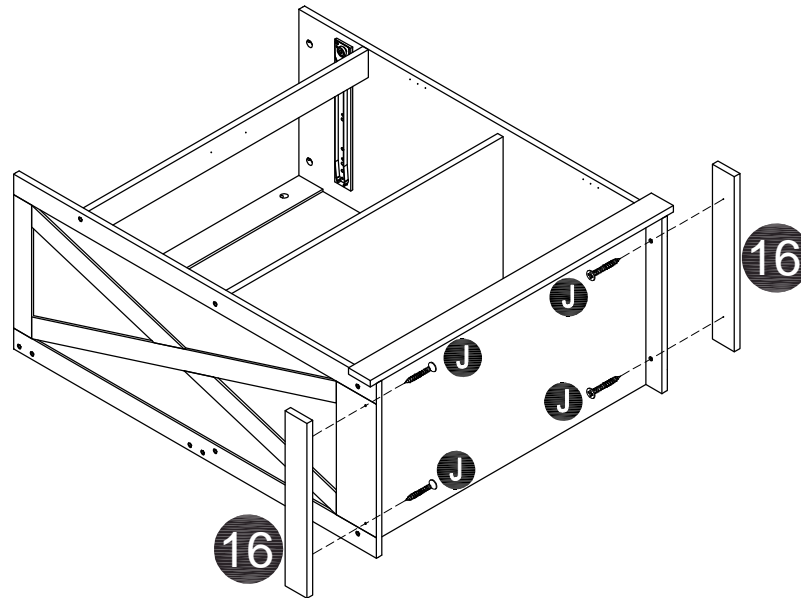
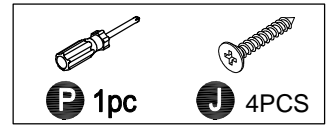
Step13



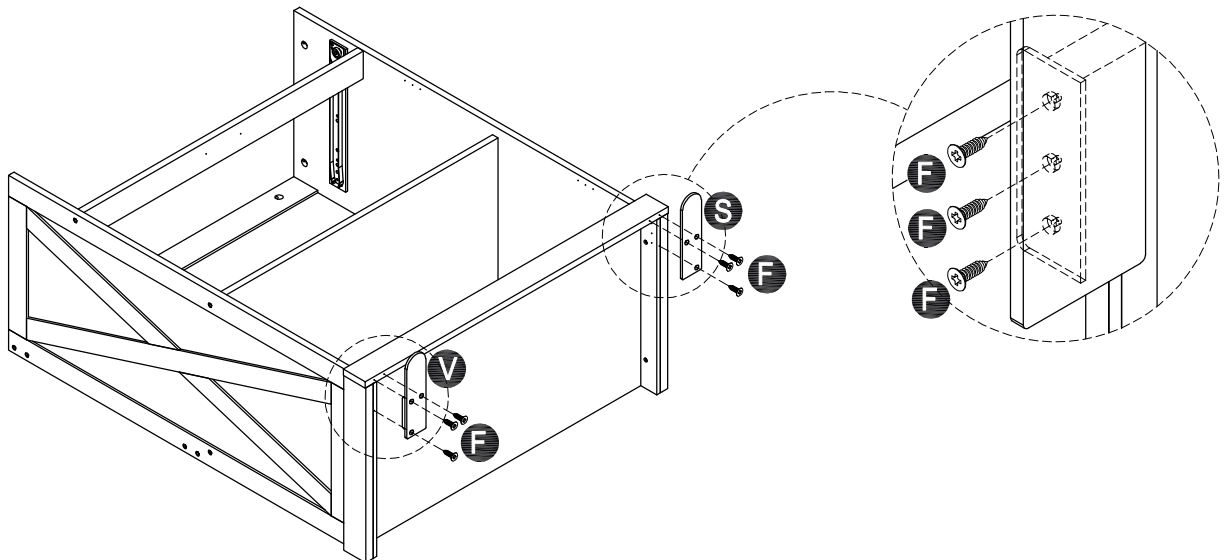
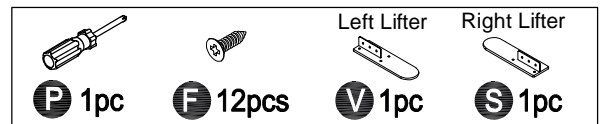
Step14



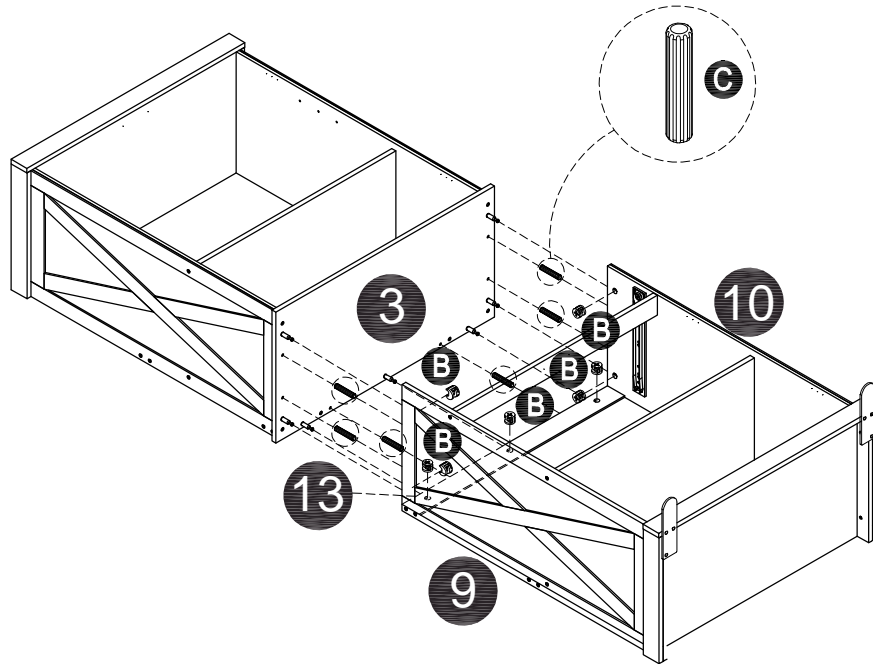
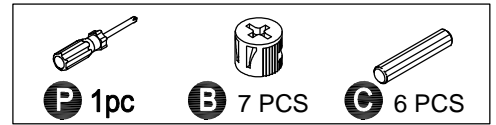
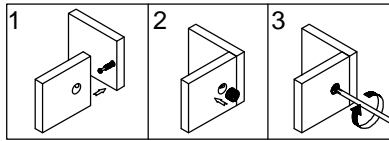
Step15



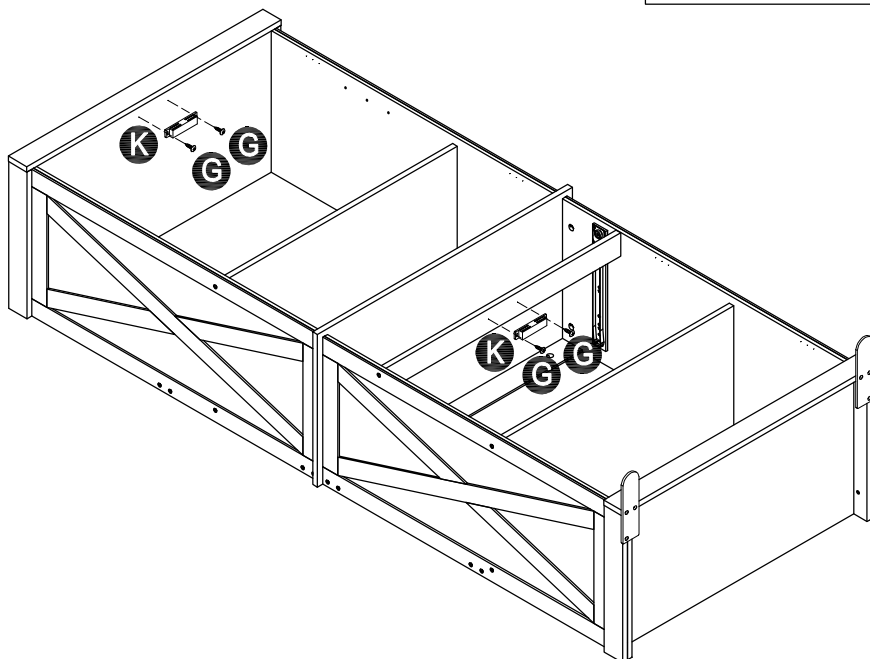
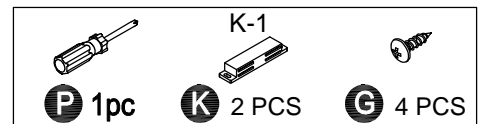
Step16



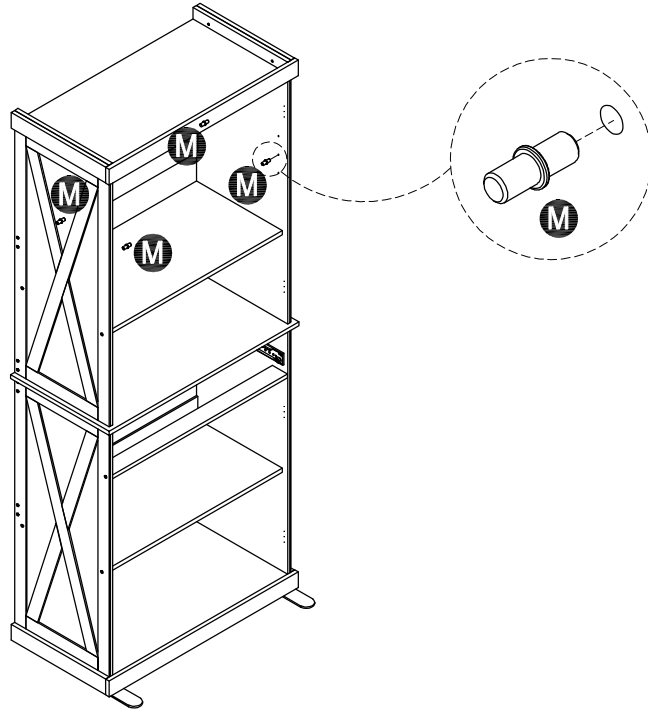
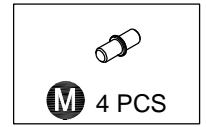
Step 17



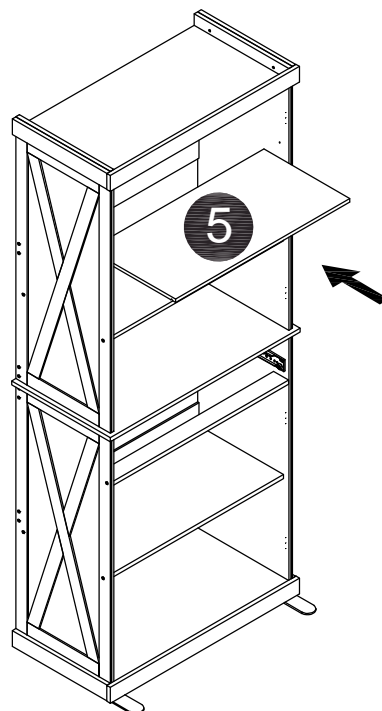
Step 18



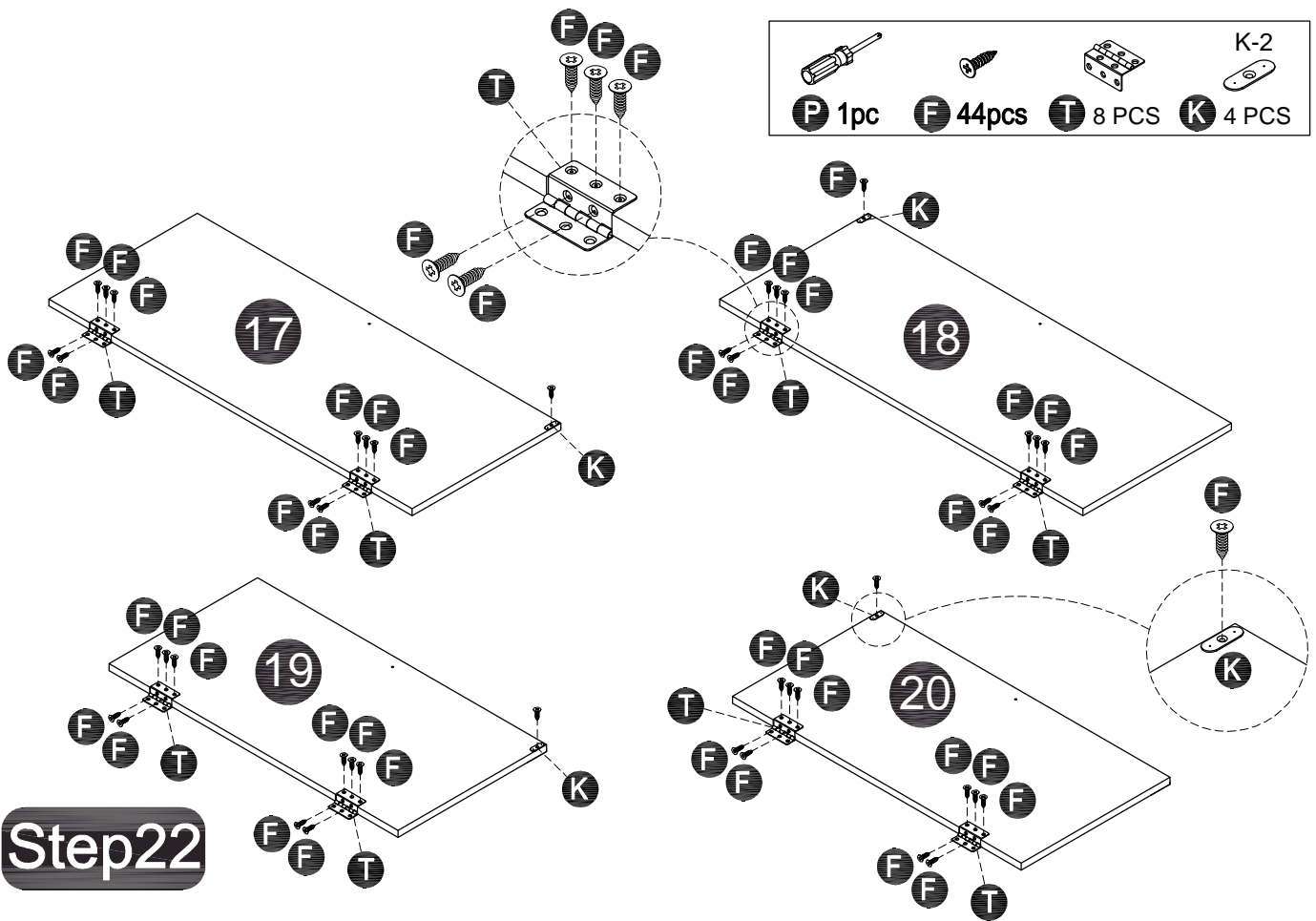
Step19



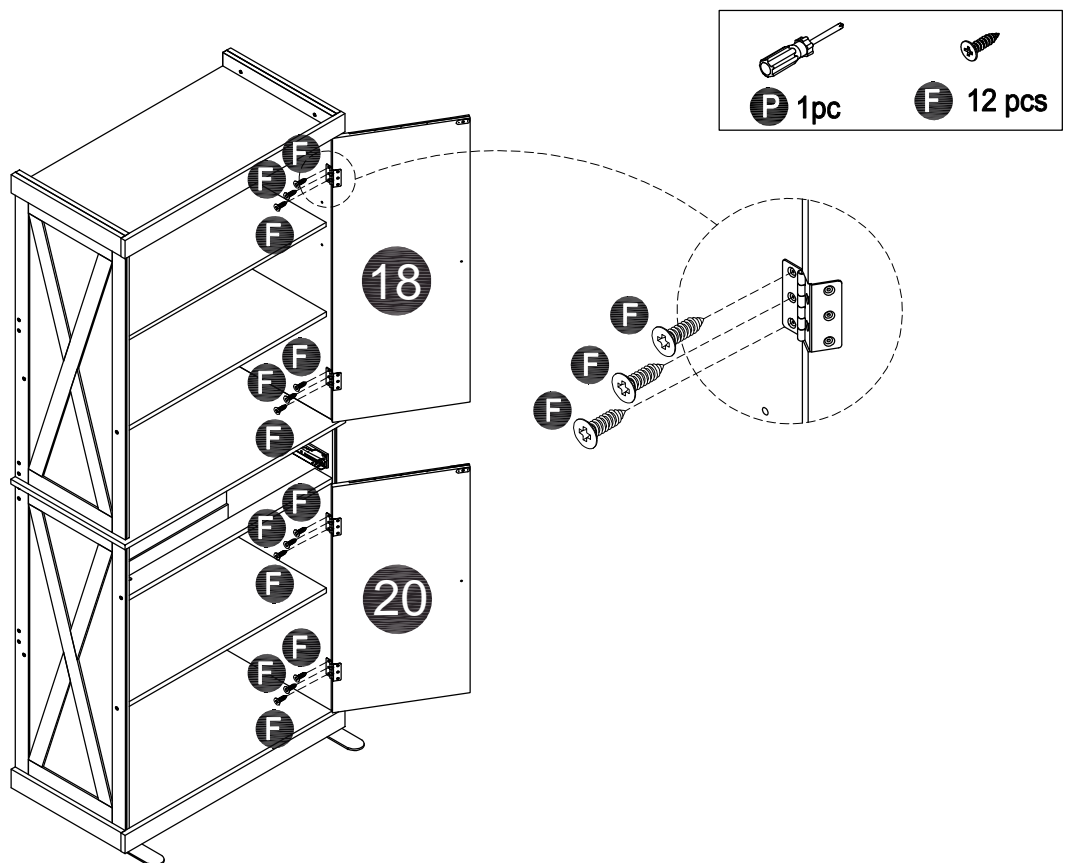
Step20



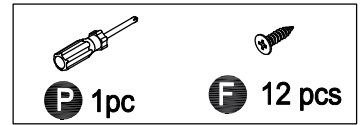
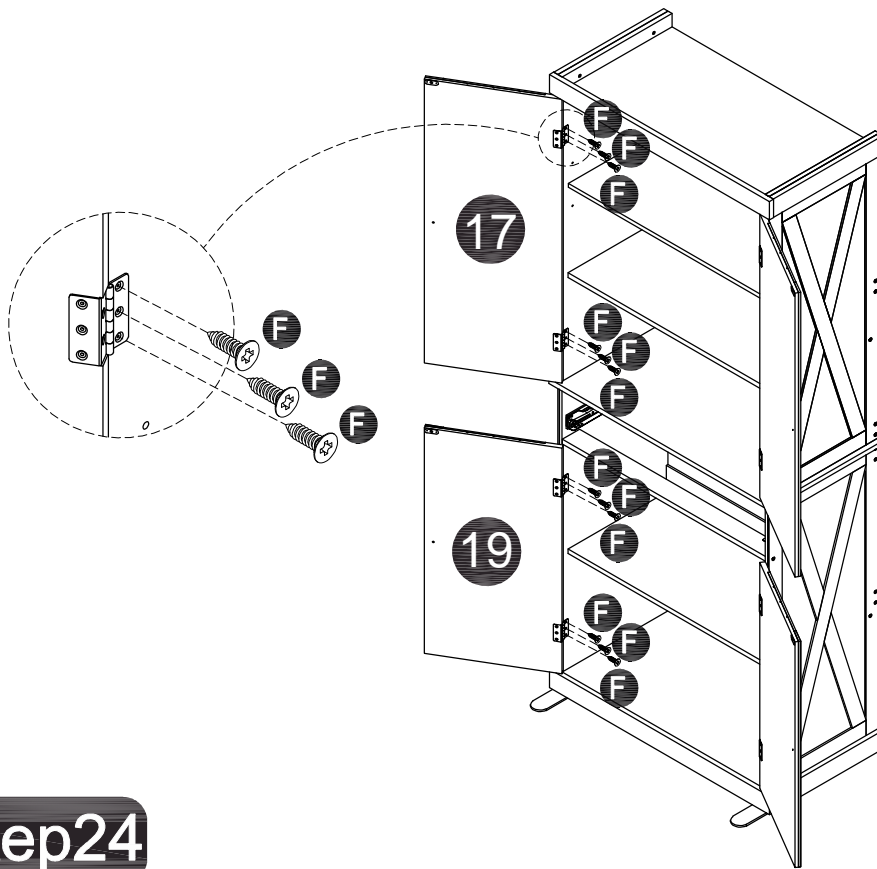
Step21



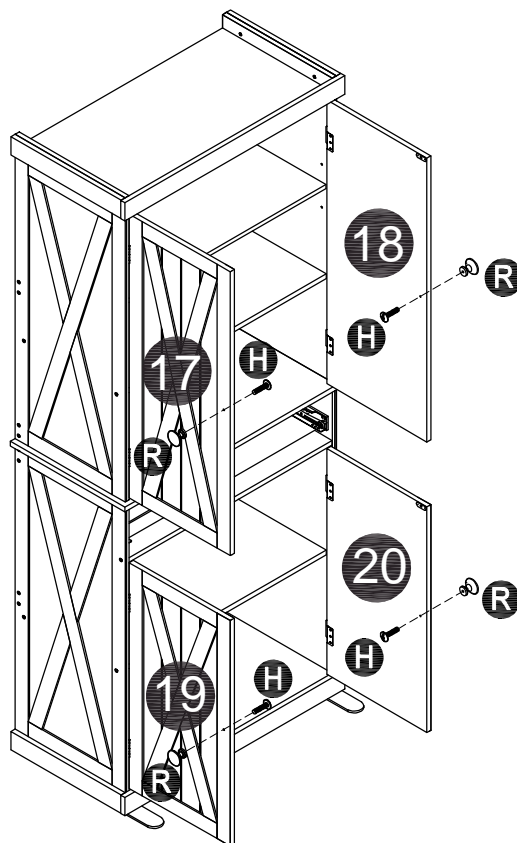
Step22



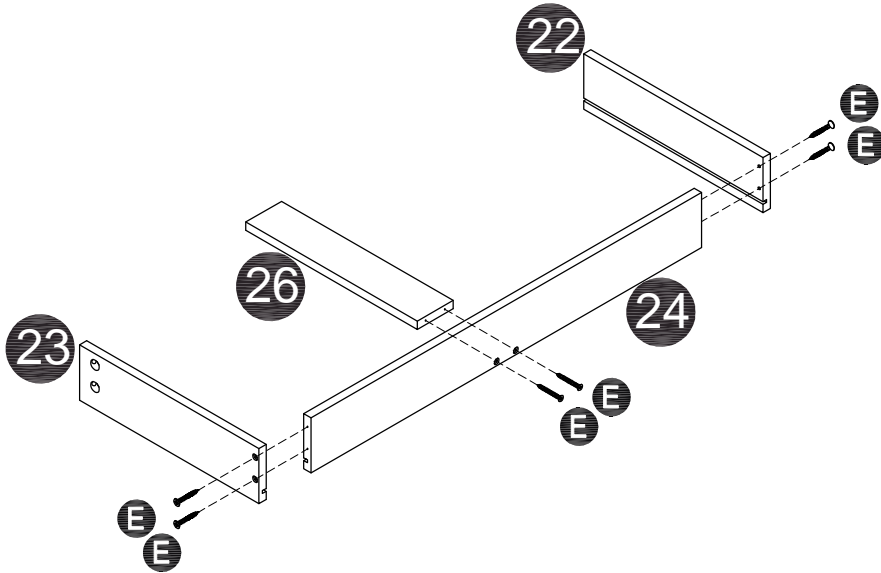
Step23



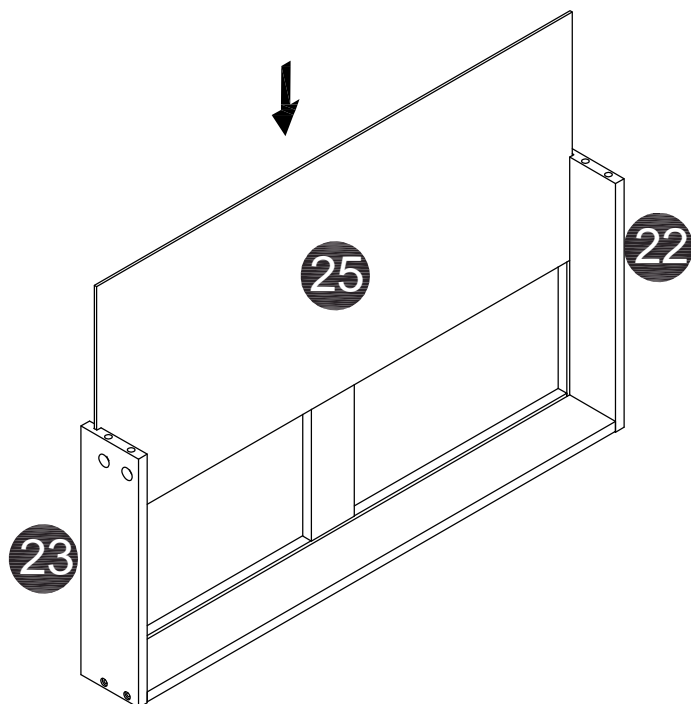
Step24



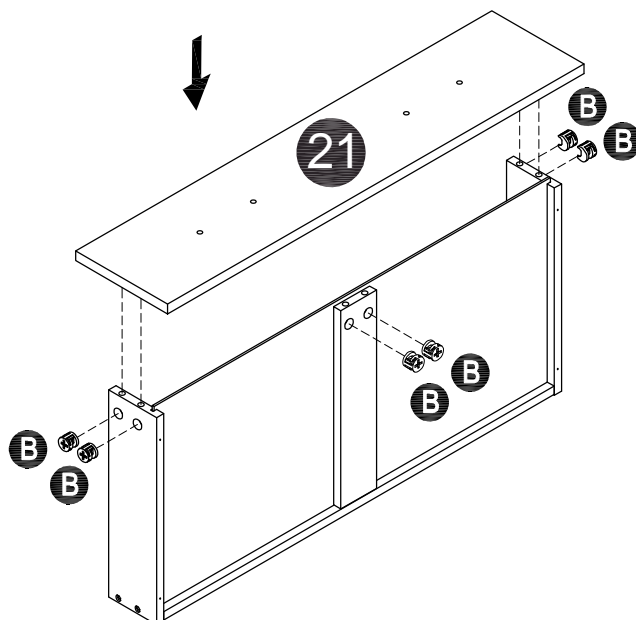
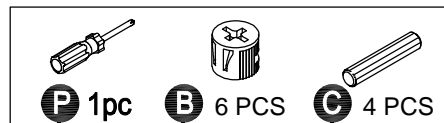
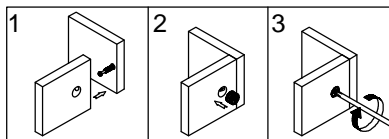
Step25



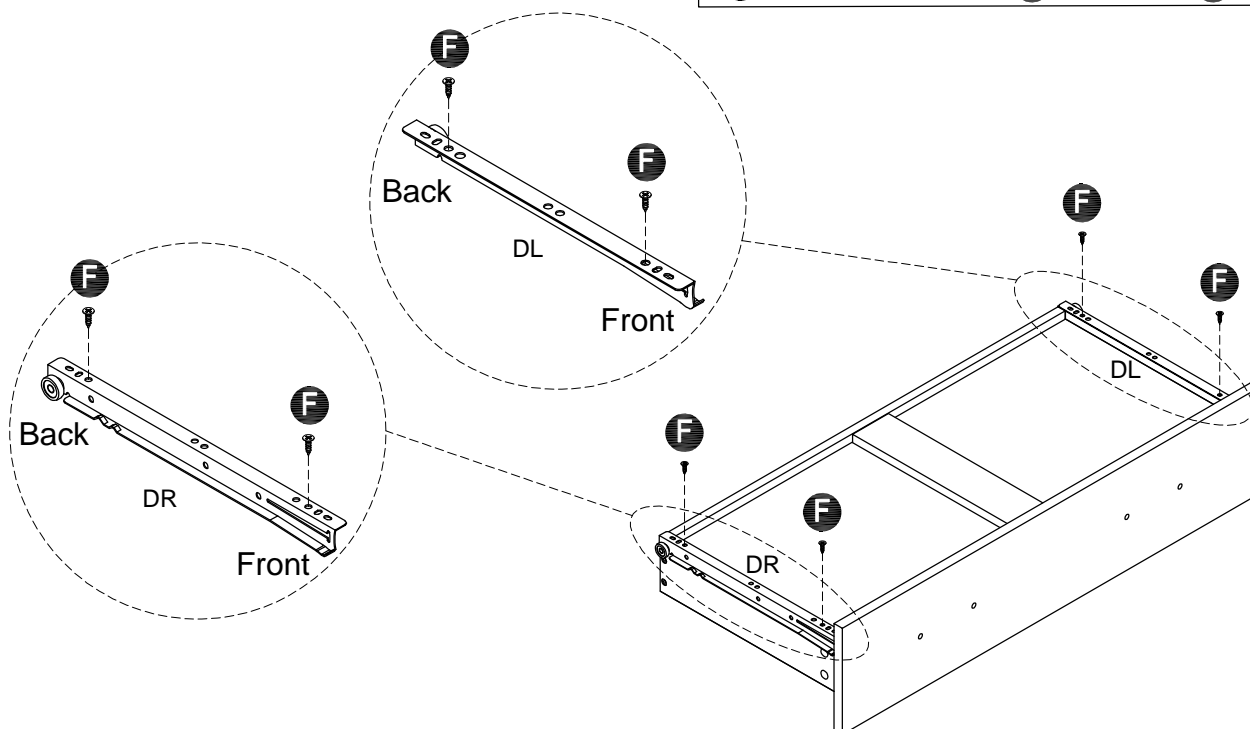
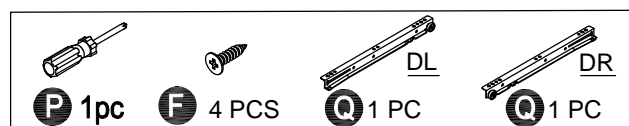
Step26



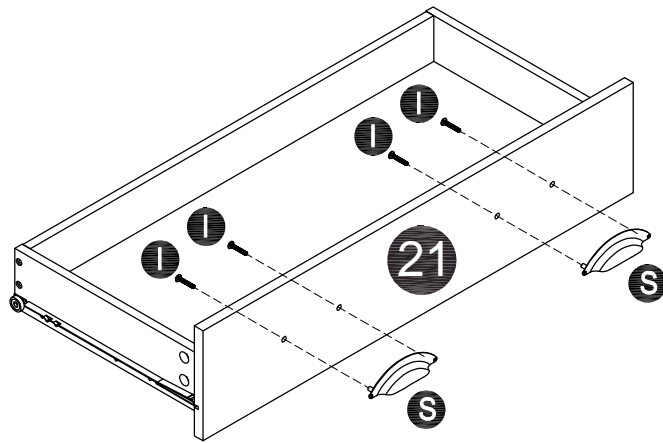
Step27



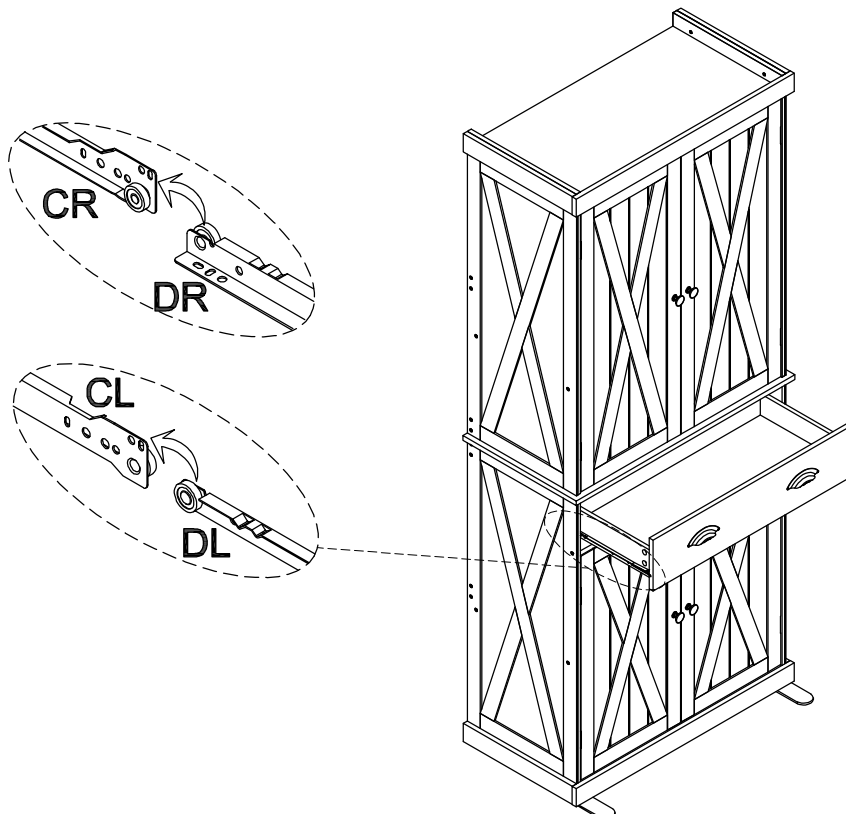
Step28



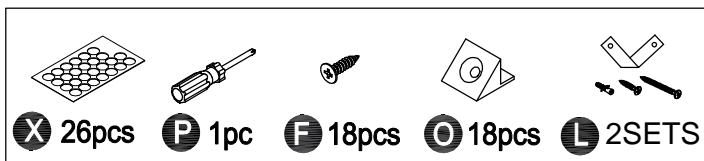
Step29



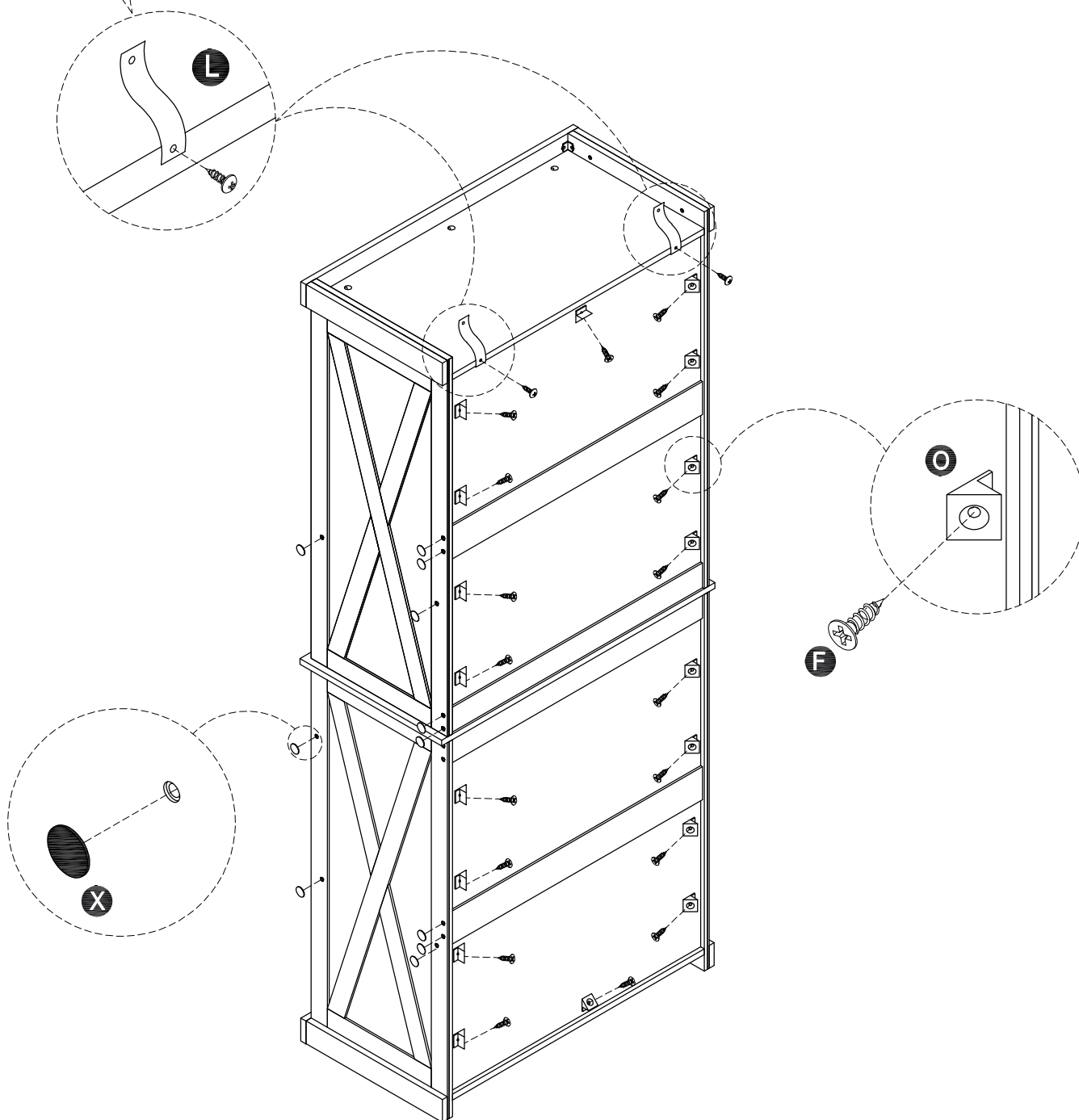
Step30



Step31

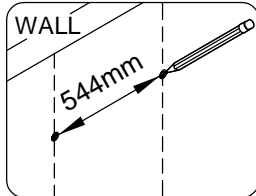
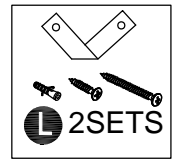


Assemble anti-rollover device used the short screws

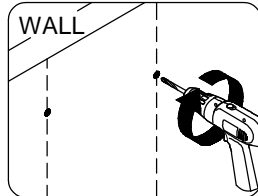


Step32

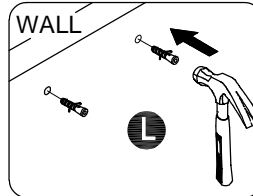
Install the anti-tip kit



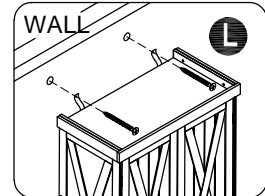
1. Make mark on the wall



2. Drill two Ø6 holes on the wall

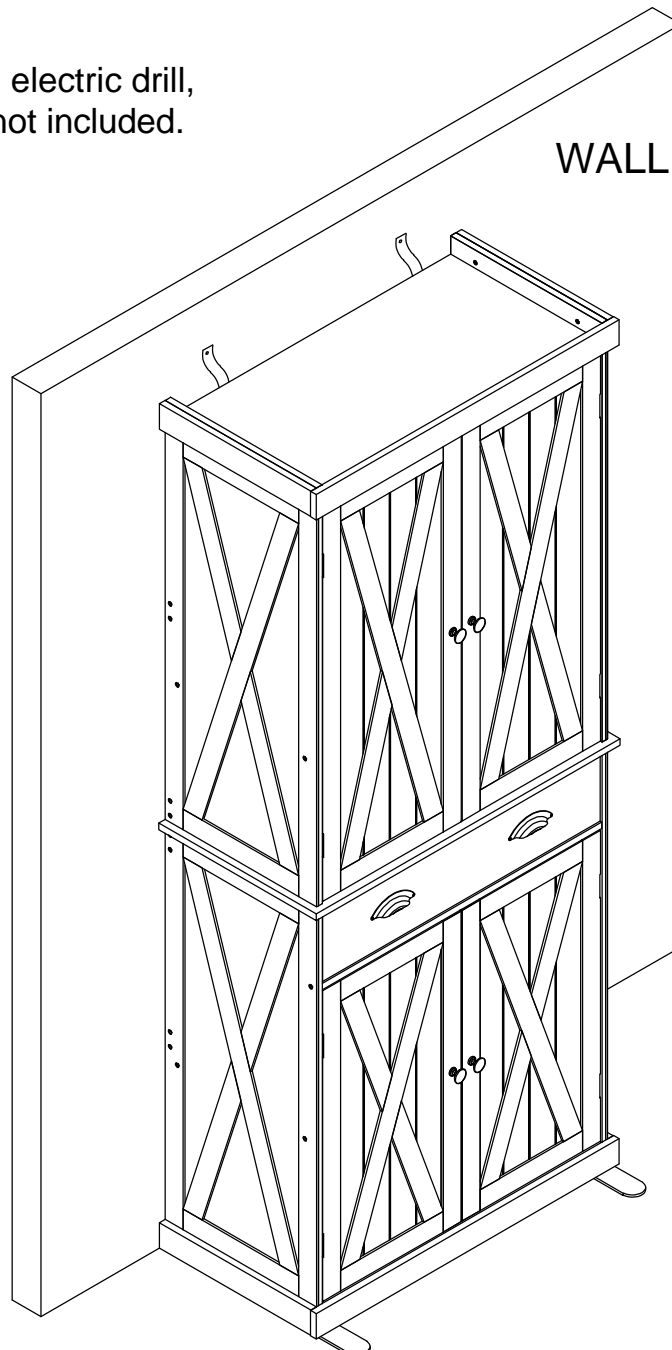


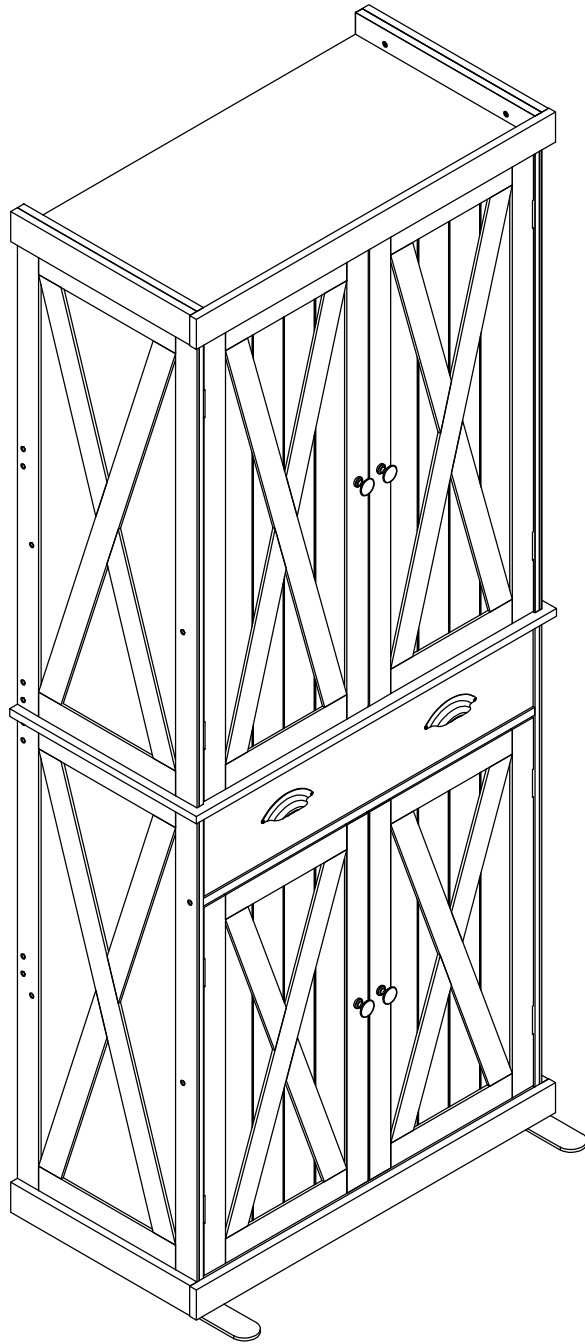
3. Put two anchors in the holes



4. Fix the device to the wall using the long screws

NOTE: Pencil, electric drill, and hammer not included.





Thank you for choosing this product. We strive to provide you with the best quality products and service in the industry. Should you have any issues, please don't hesitate to contact us.