

# Assembly Instructions for **Model 1391566**

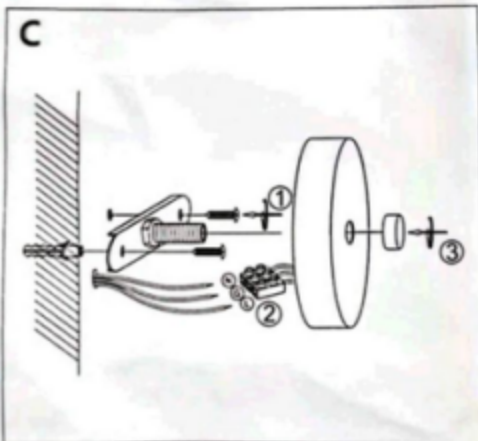
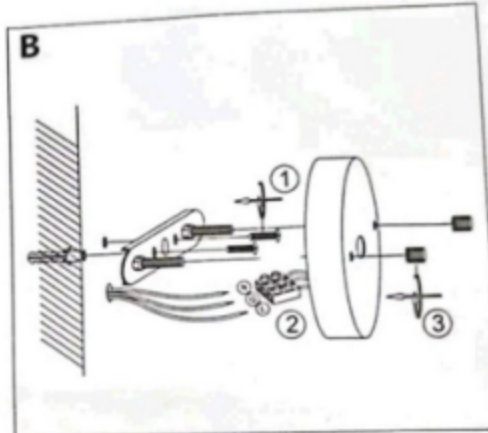
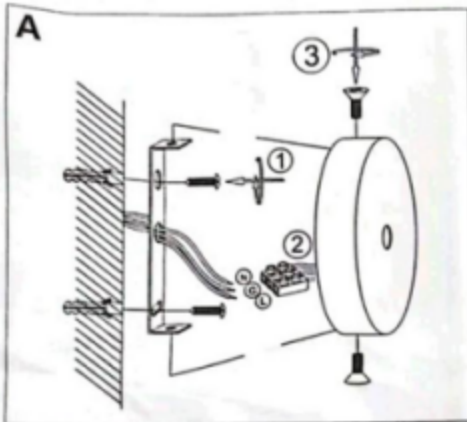


## Installation Manual

### THE LAMP ELUCIDATION



### INSTALL THE ELUCIDATI ON



①

Self tapping on flat pad on self tapping screw the screw passes through the hanging plate hole clockwise clockwise into T the sky Flower plate locking hanging plate (pictured).

②

Connect the wires to the terminals.

③

The lamp body with hanging plate fixed screw (Figure).

Maintenance	Precautions
1.Voltage/Frequency:110-220V 50Hz 2.Please wear gloves to install. 3.Don't install it on the moist ceiling. 4.Turn off the power before cleanout.	Keep the lighting away from acidic chemical solvent,Or the galvanized surface of the lighting will be damaged.
5.Please wash with the sanitizer without corrosivity.	
6.Please install according to the installation manual.	Installation Manual
	Please see the installing sketch map and install the parts in the right order.

Your fixture is now assembled and ready to use.