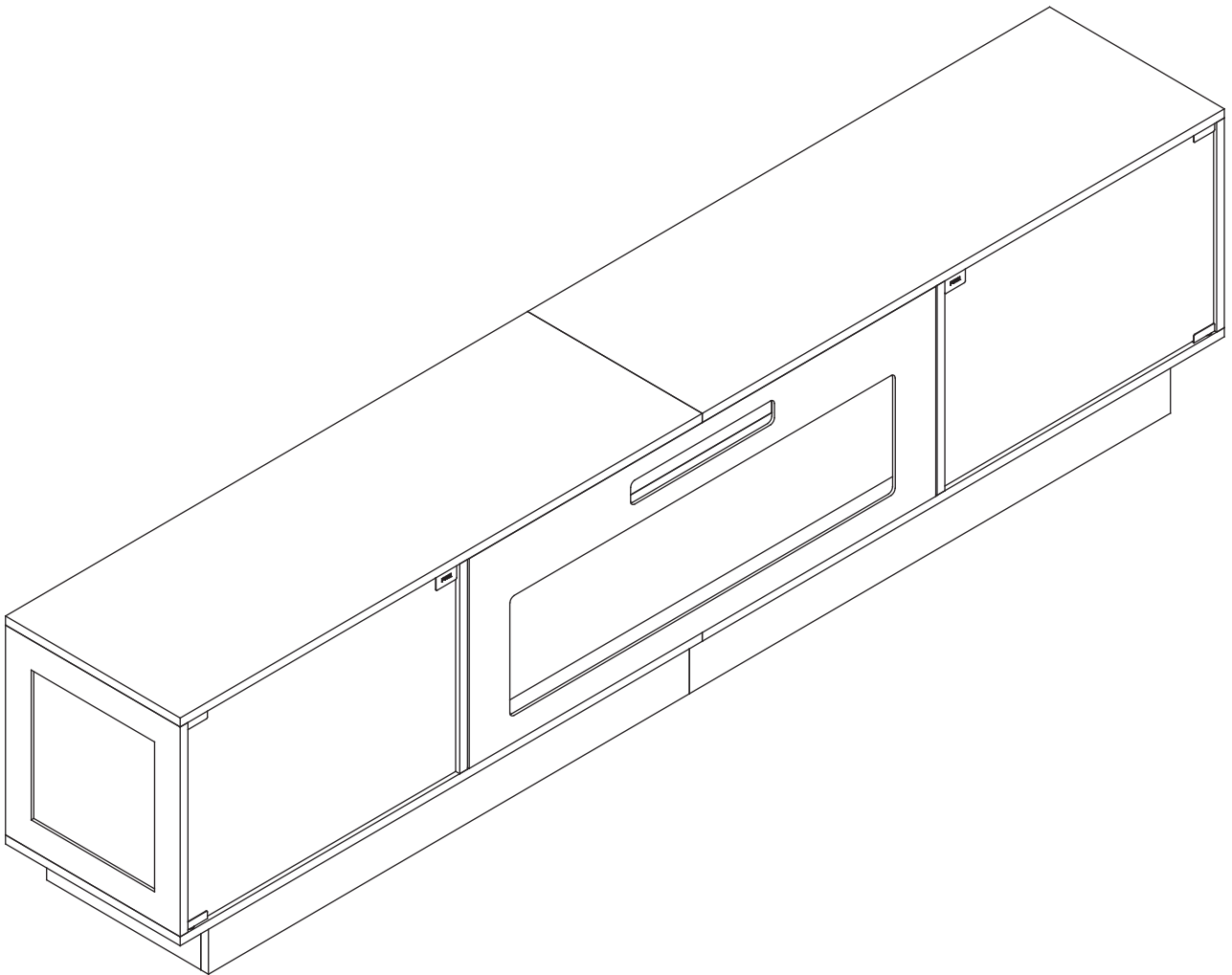


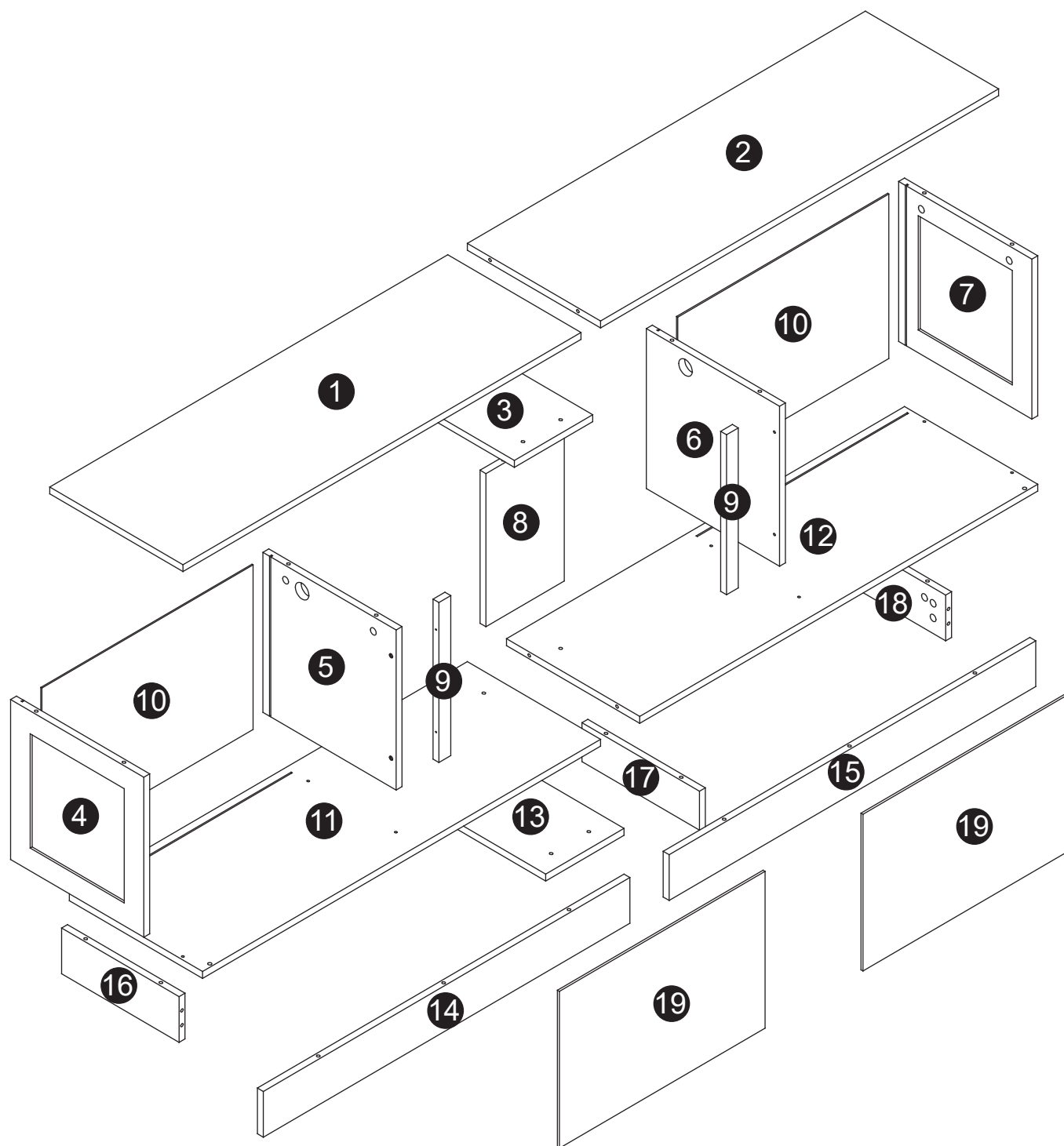
# ASSEMBLY INSTRUCTIONS



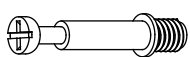
Attention: The Fireplace and TV stand come in **TWO PACKAGES**  
Please don't be confused if only one package was received.

The light strip comes with fireplace. It should be installed  
after **TWO PACKAGES** received.

# Parts list



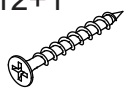
Ax28+1



Bx36+1

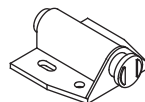


Cx12+1



M4x40

Dx2



Ex4



Fx8+1



Gx14+1

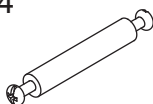


M3.5x14

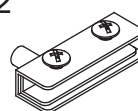
Hx2



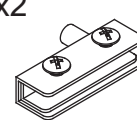
Ix4



Jx2

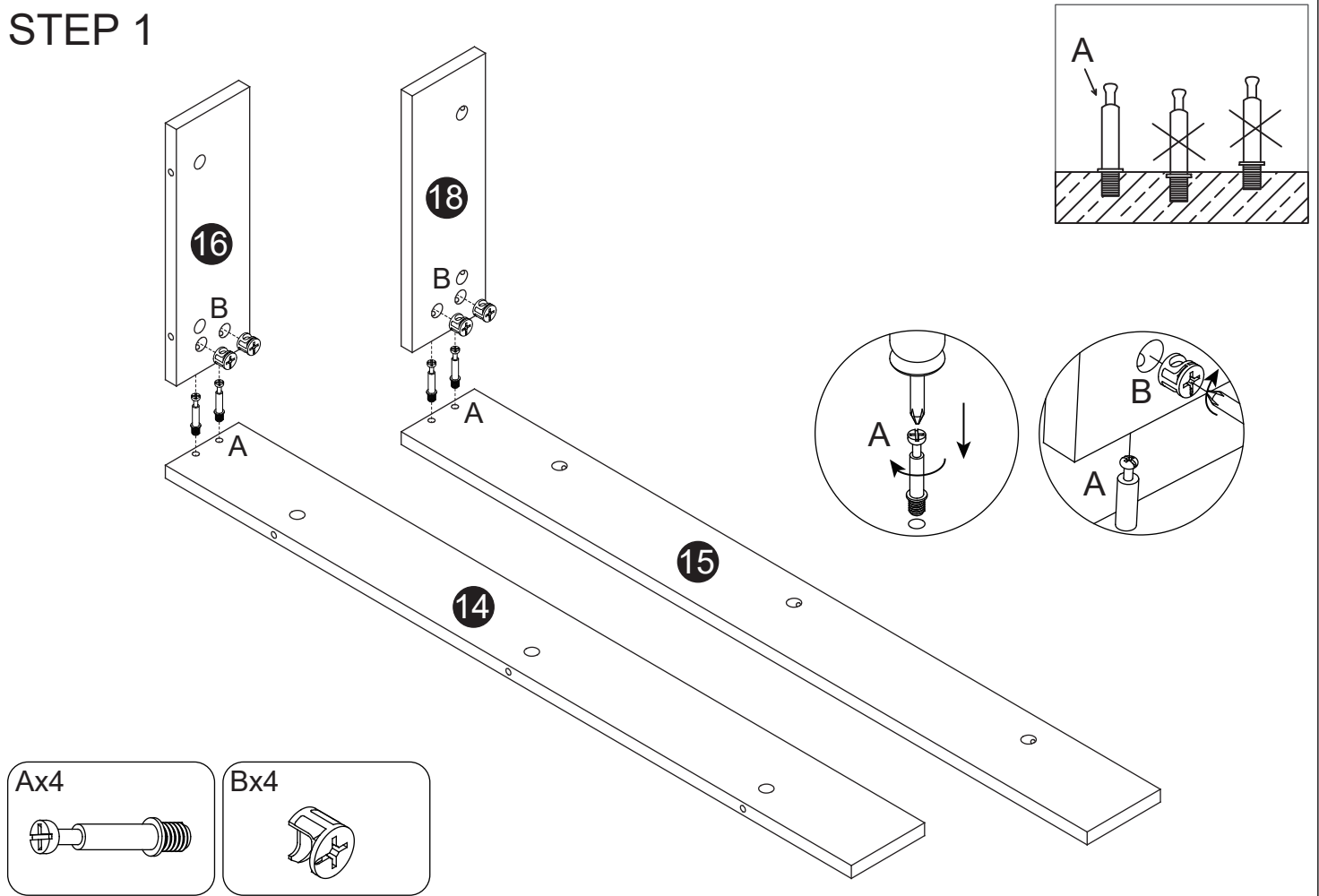


Kx2



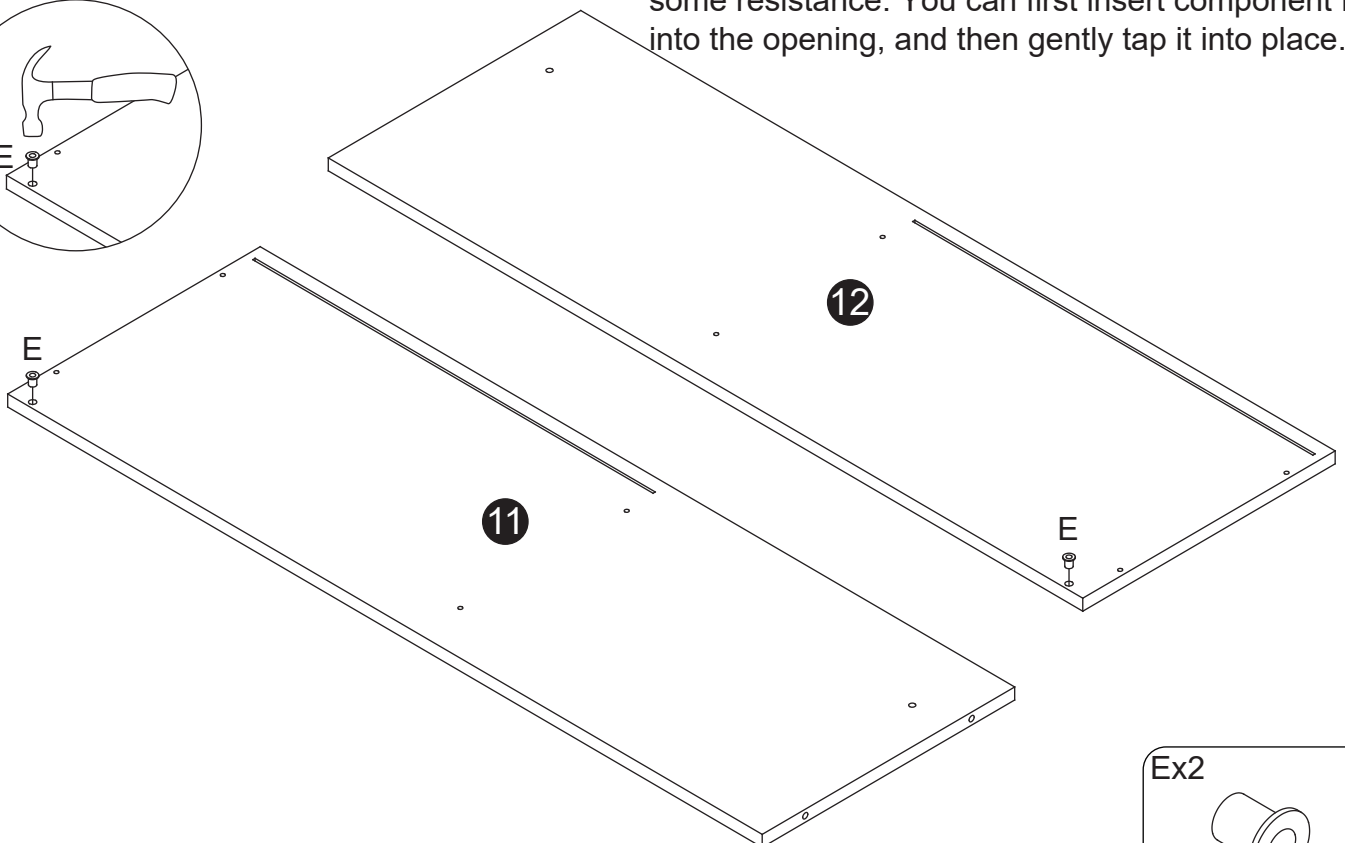
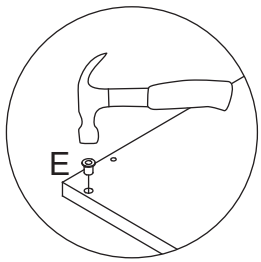
# Installation steps

## STEP 1



## STEP 2

When installing component E, you may encounter some resistance. You can first insert component E into the opening, and then gently tap it into place.

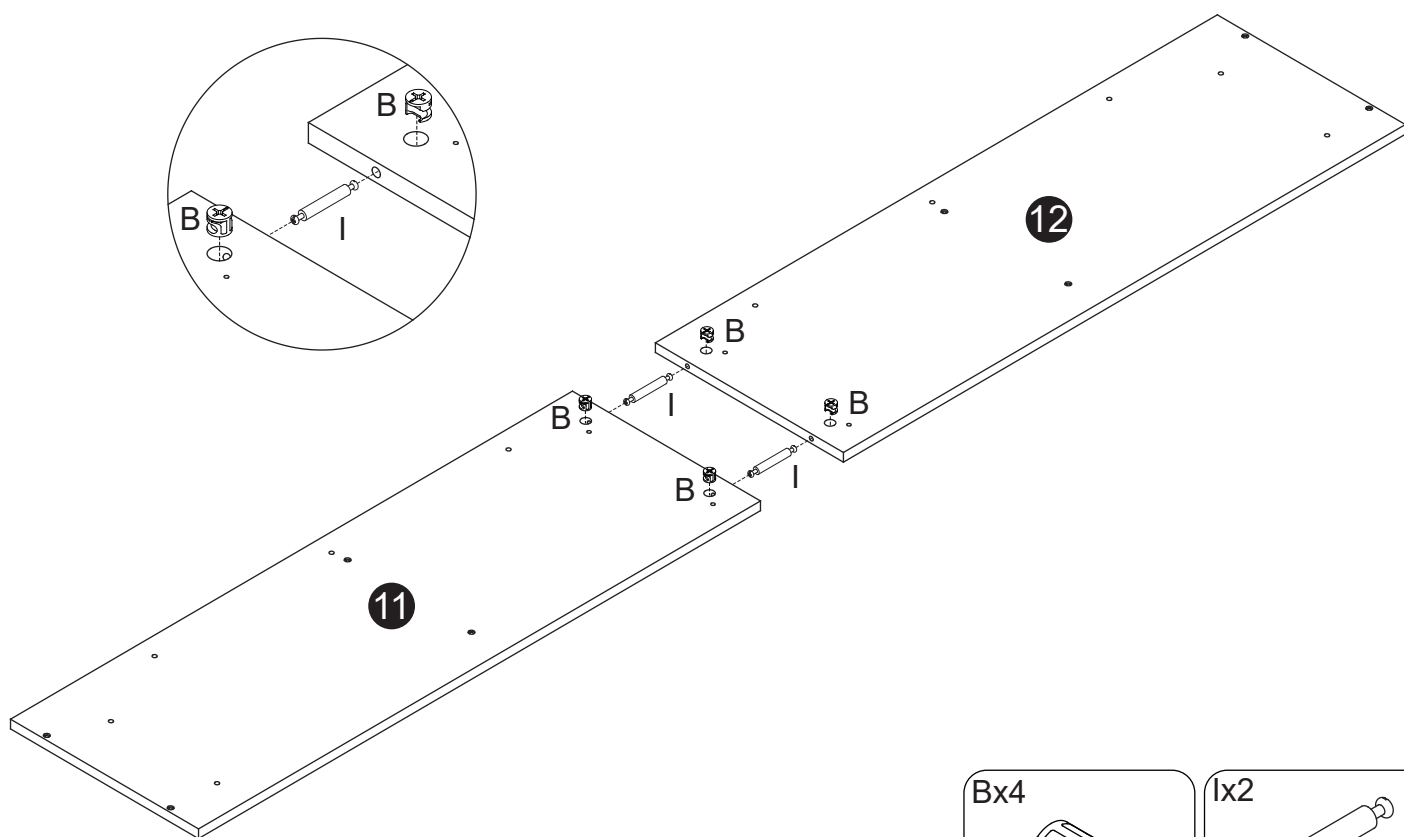


**Ex2**



# Installation steps

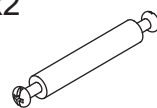
## STEP 3



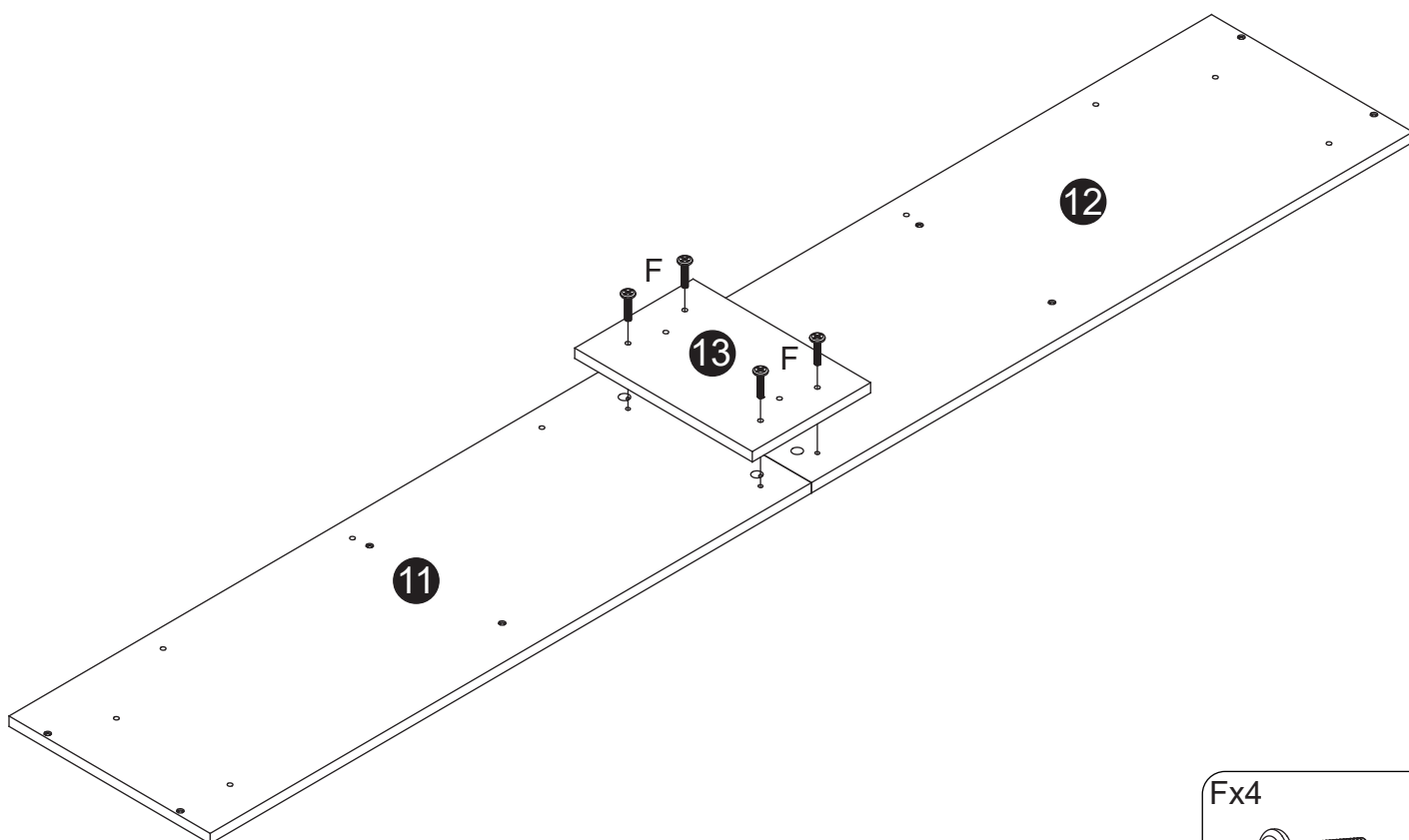
Bx4



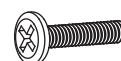
Ix2



## STEP 4

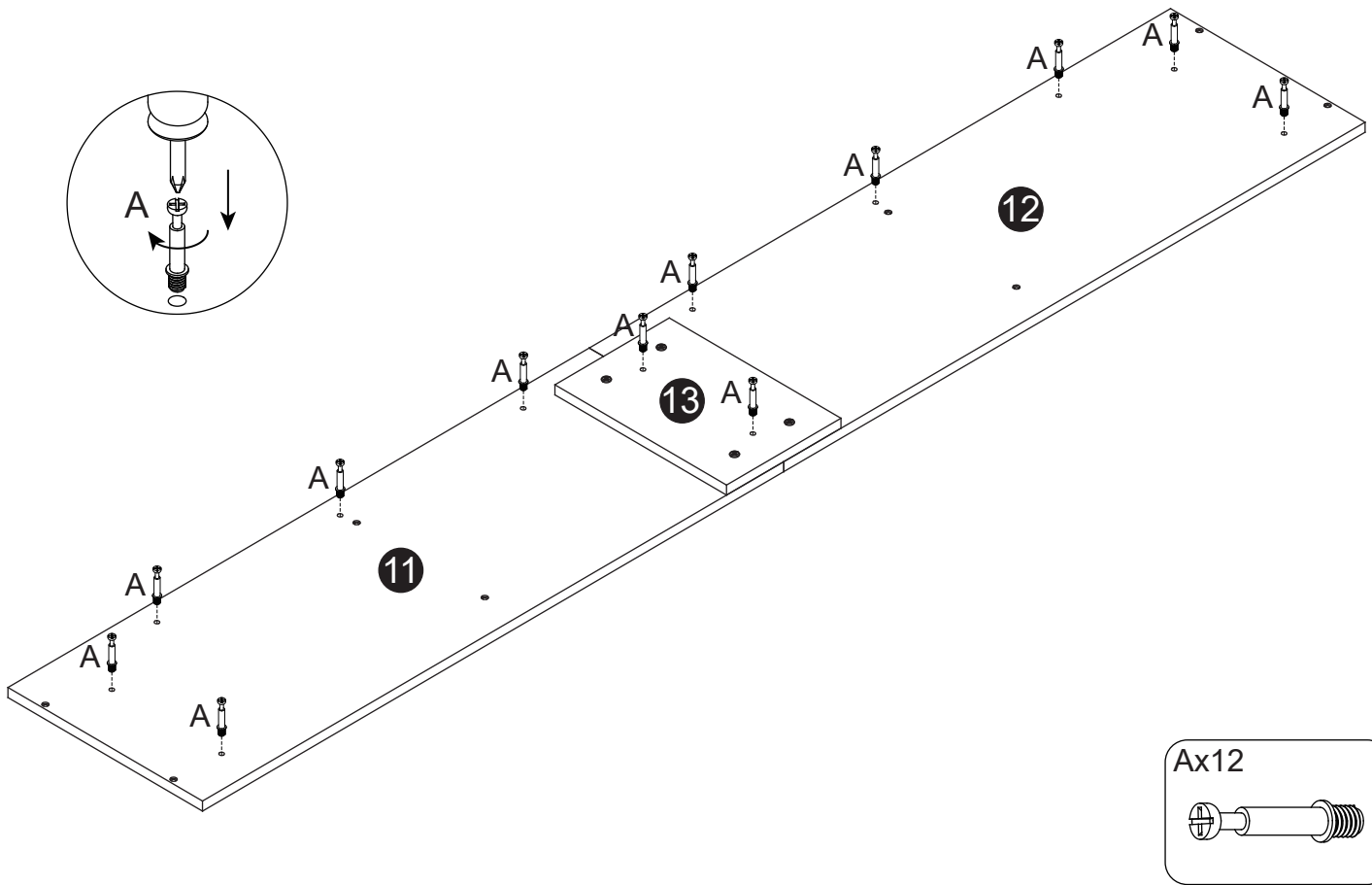


Fx4

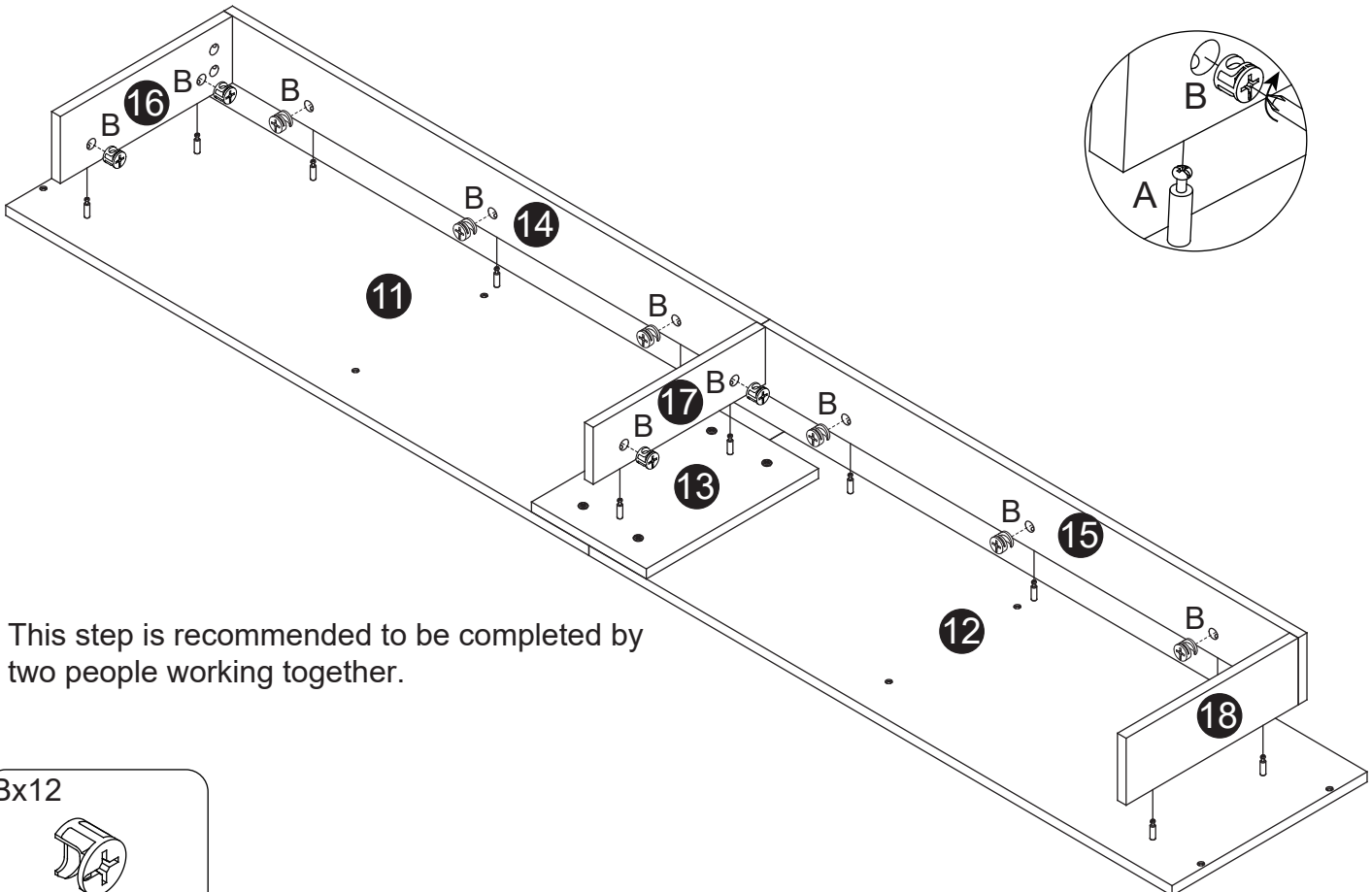


# Installation steps

## STEP 5



## STEP 6

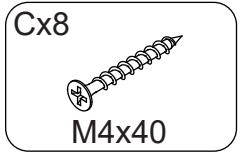
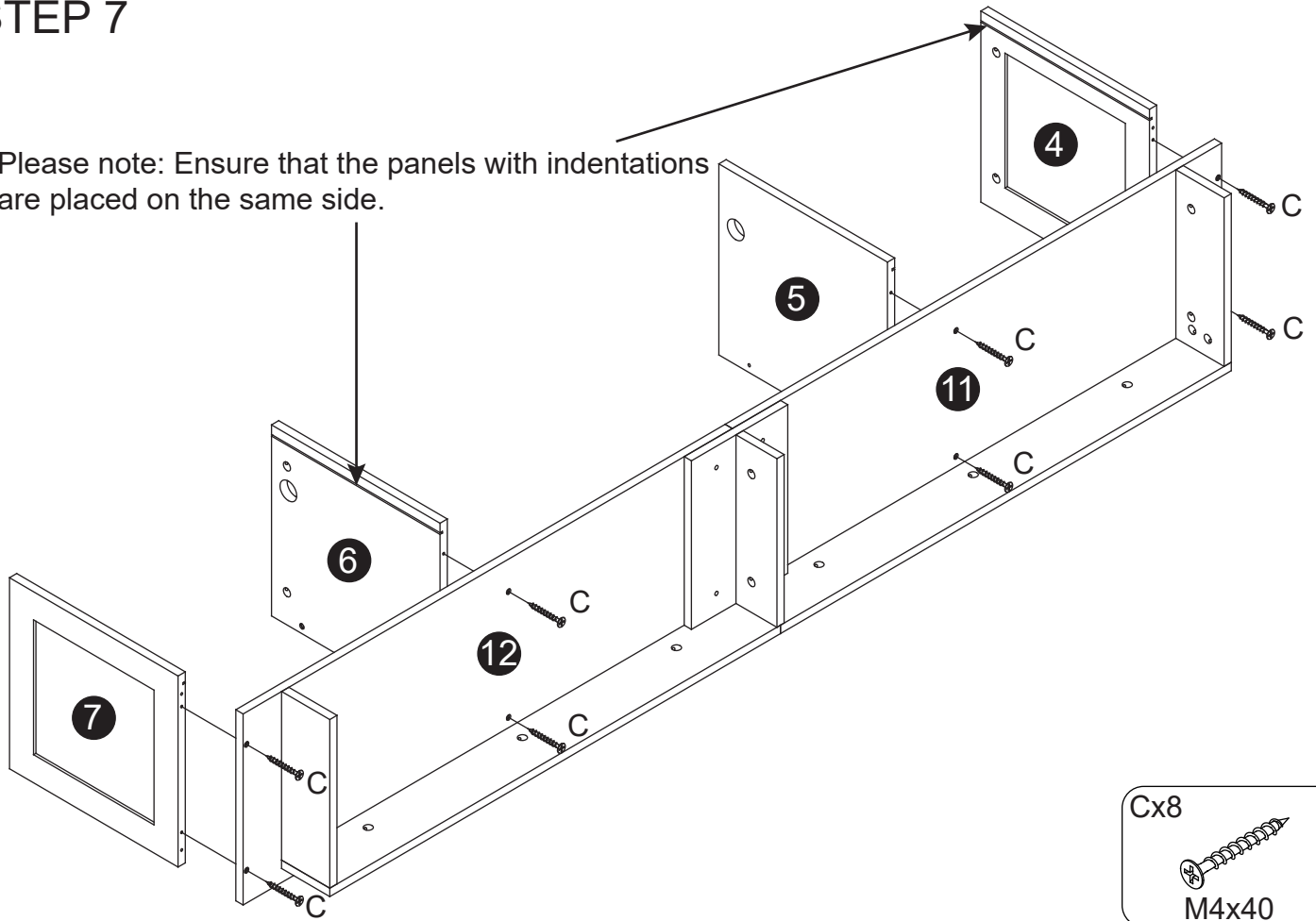


This step is recommended to be completed by two people working together.

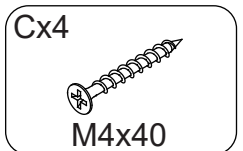
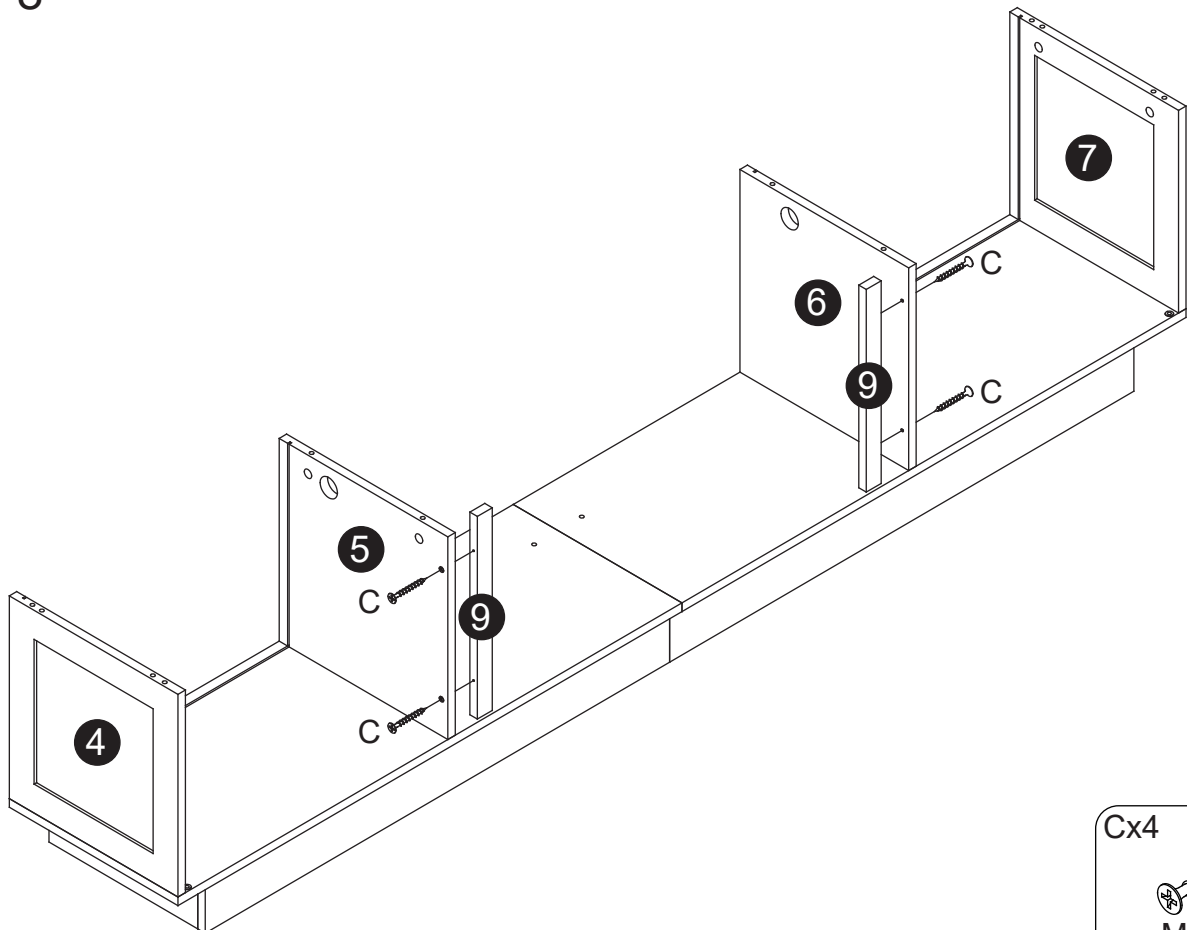
# Installation steps

## STEP 7

Please note: Ensure that the panels with indentations are placed on the same side.

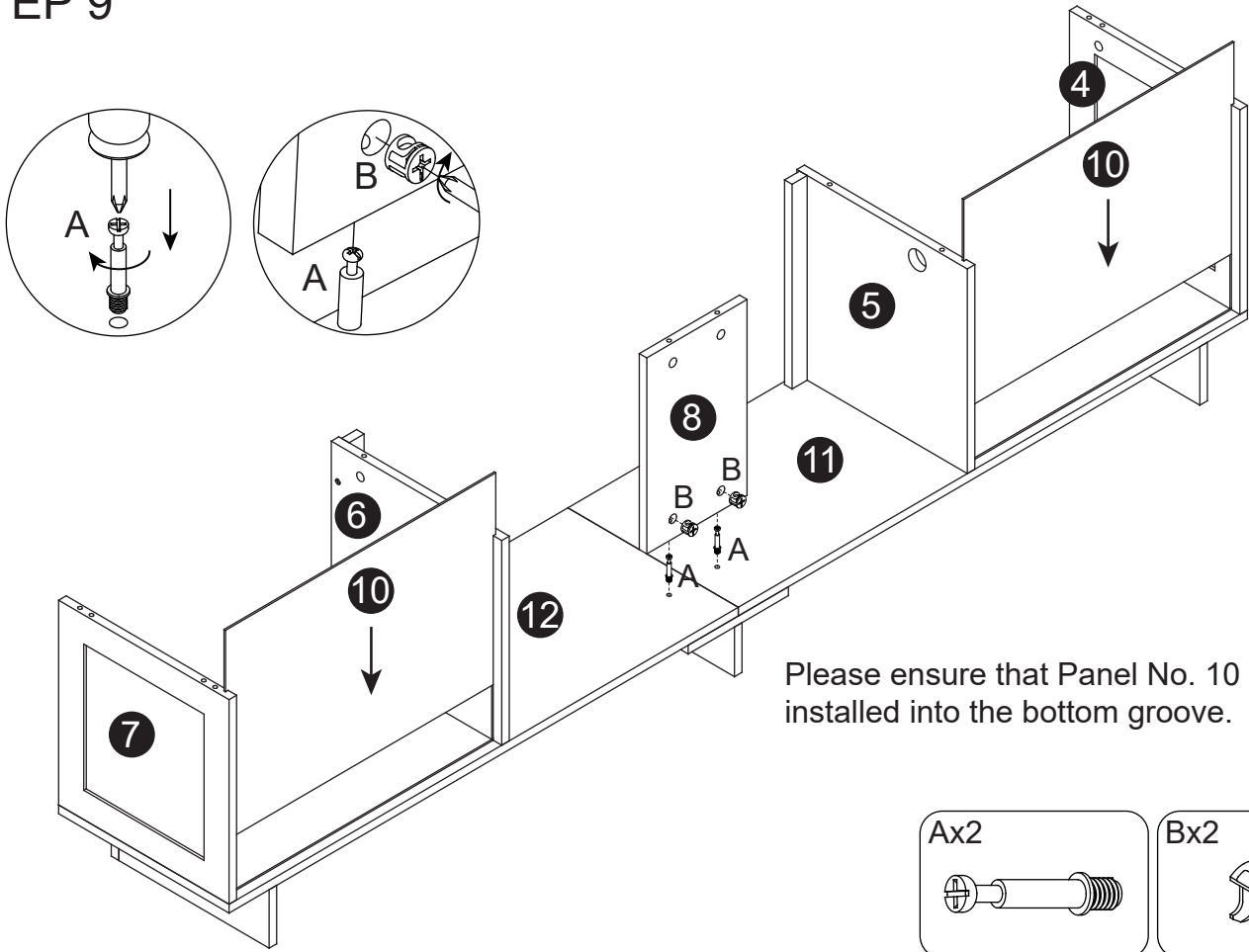


## STEP 8

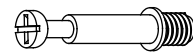


# Installation steps

## STEP 9



Ax2

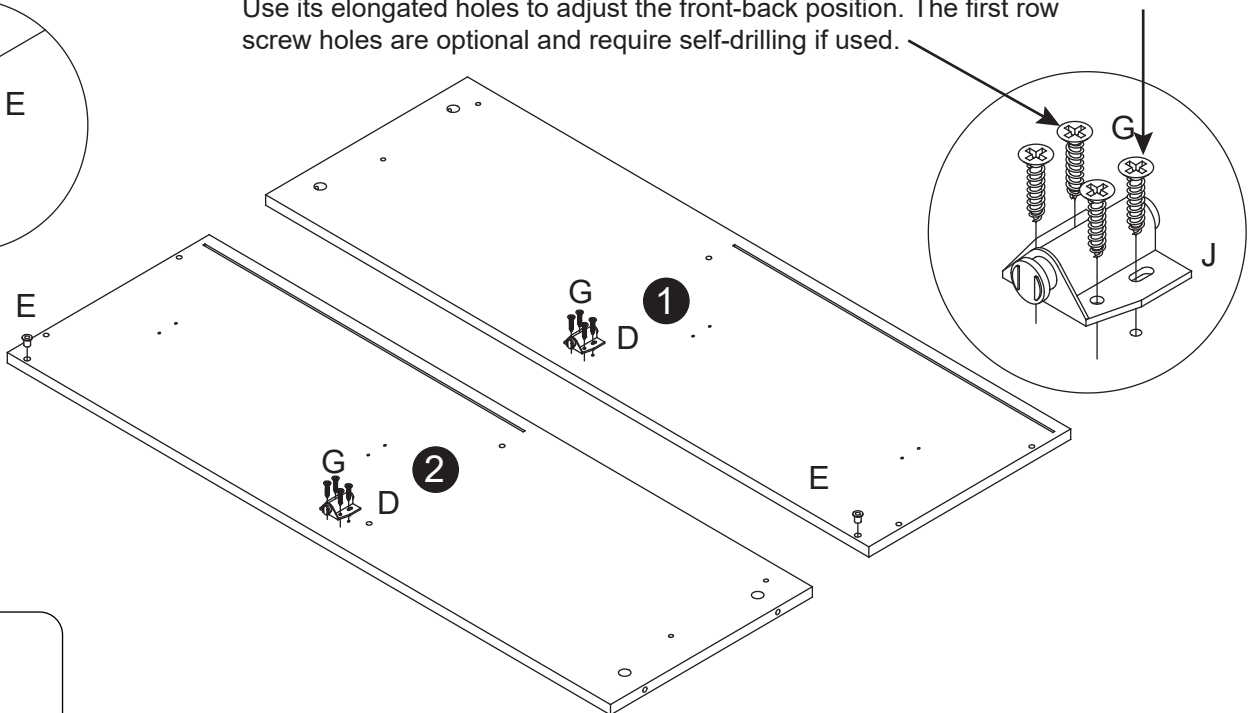
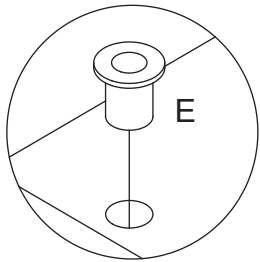


Bx2



## STEP 10

Align the second row screw holes on Accessory D with the panel's pre-drilled holes. Use its elongated holes to adjust the front-back position. The first row screw holes are optional and require self-drilling if used.



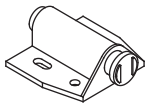
Ex2



Gx8



Dx2

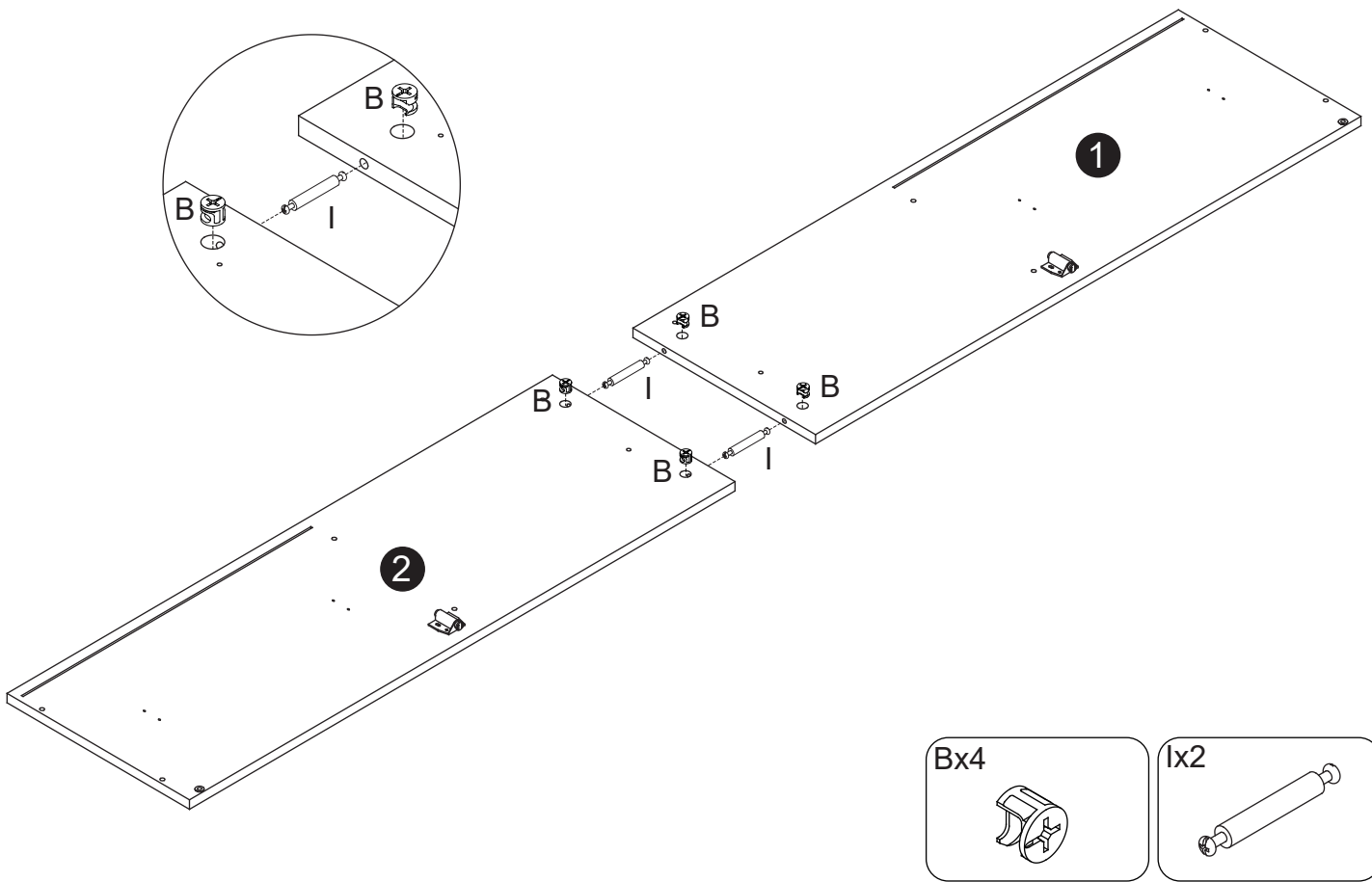


When installing component E, you may encounter some resistance. You can first insert component E into the opening, and then gently tap it into place.

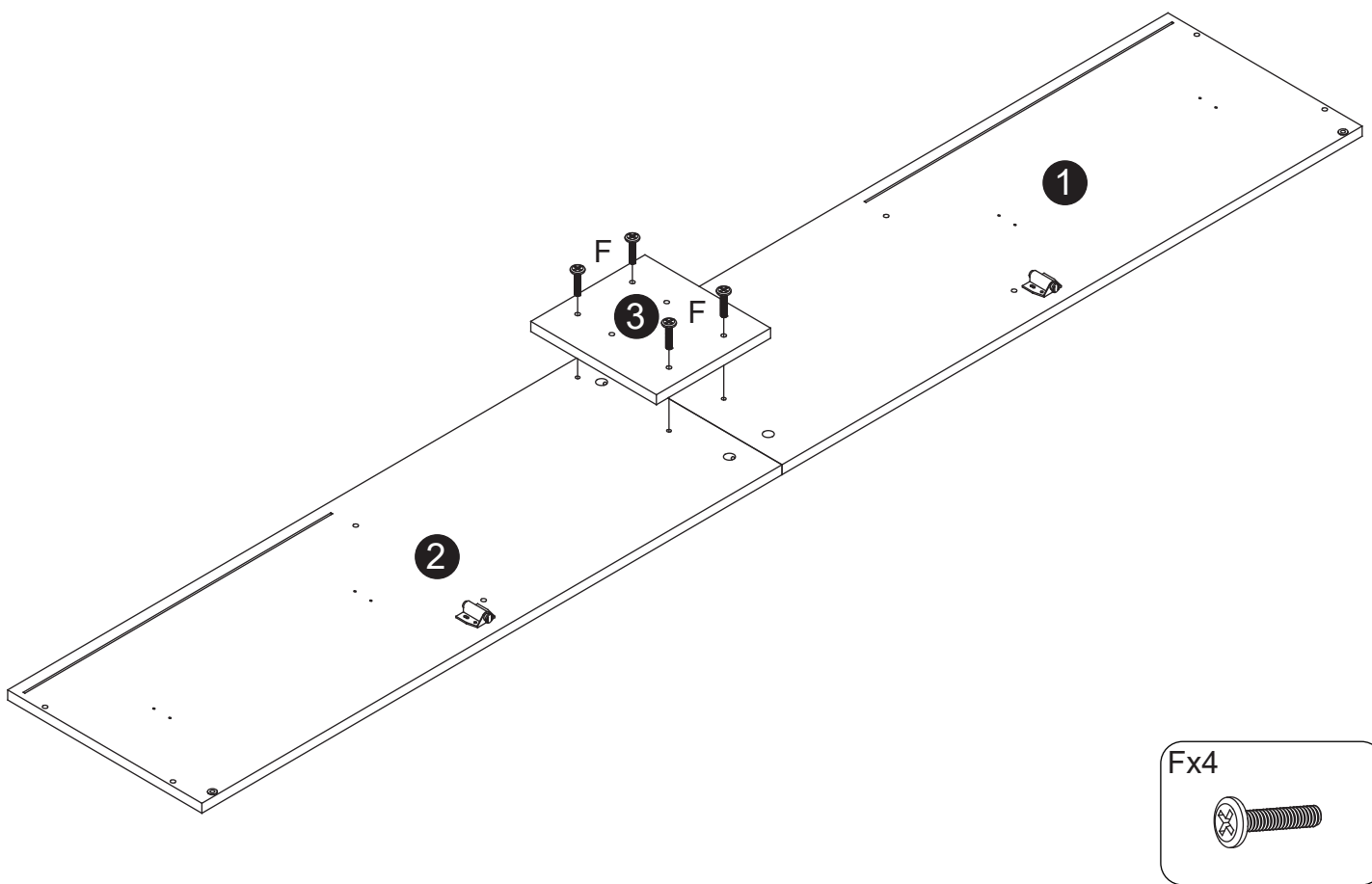
Please pay attention to the installation direction of Accessory G to avoid mounting it incorrectly. Accessory D comes with four small screws that may not provide a secure fit. Please use the screws provided with G directly for installation.

# Installation steps

## STEP 11

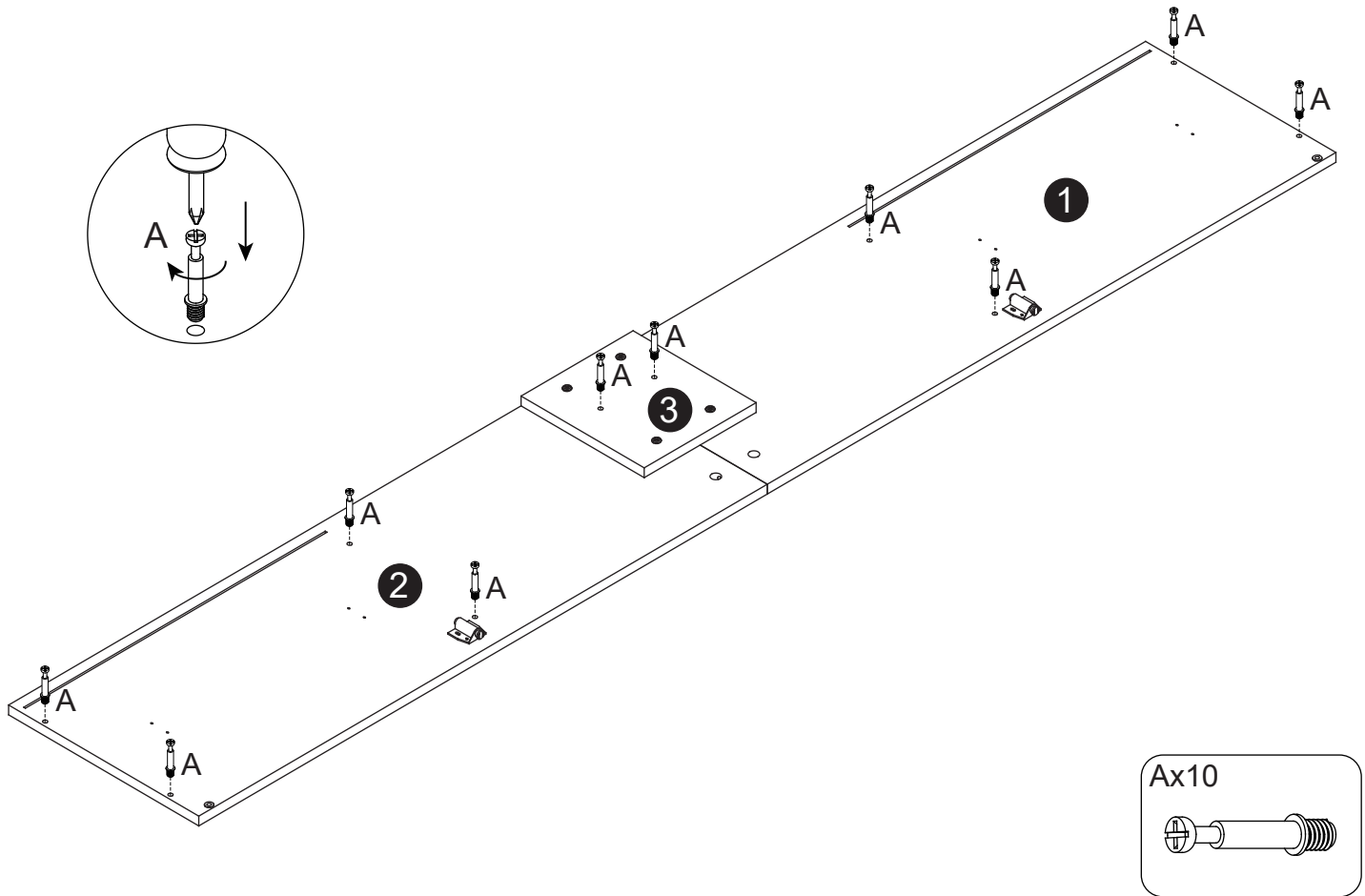


## STEP 12



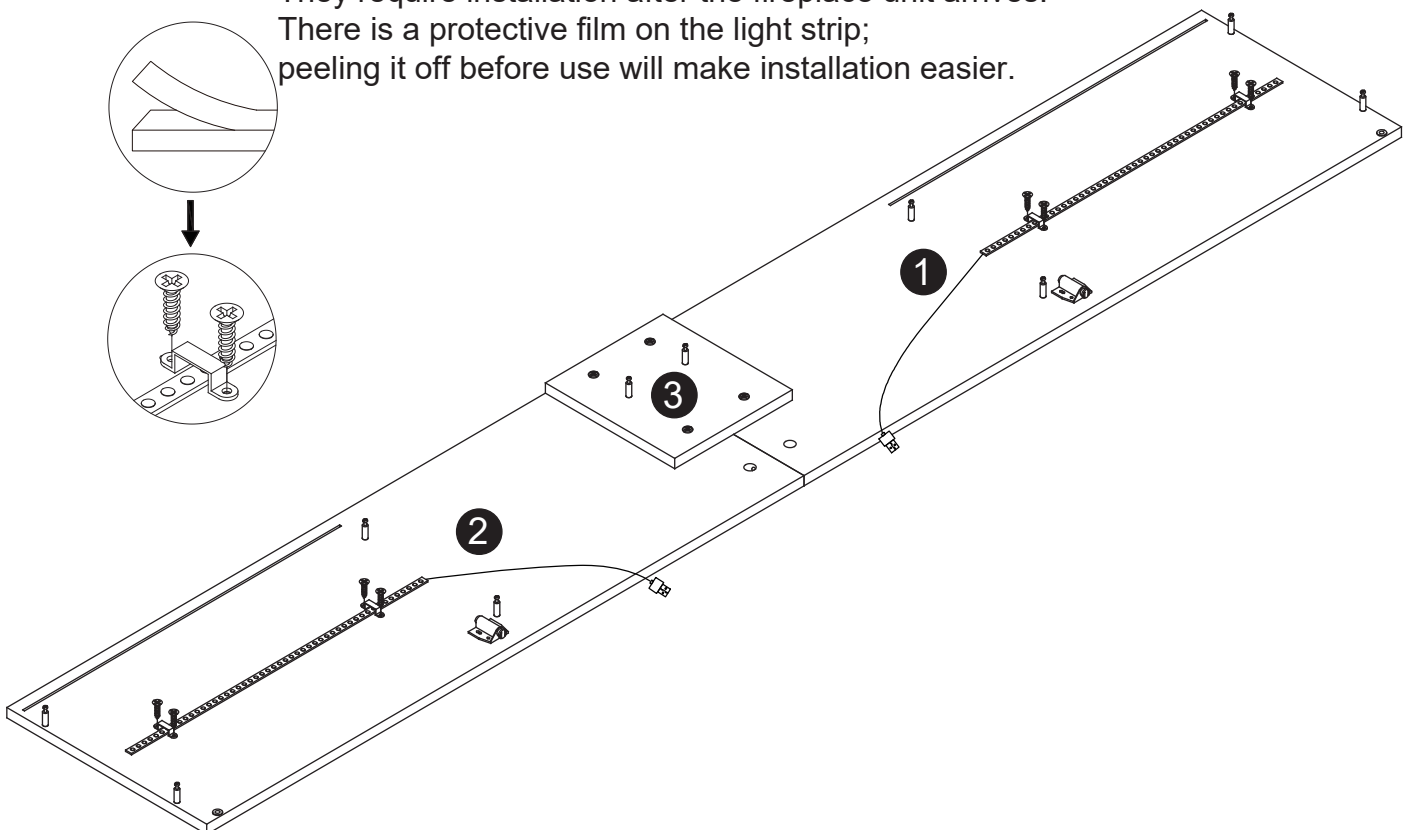
# Installation steps

## STEP 13



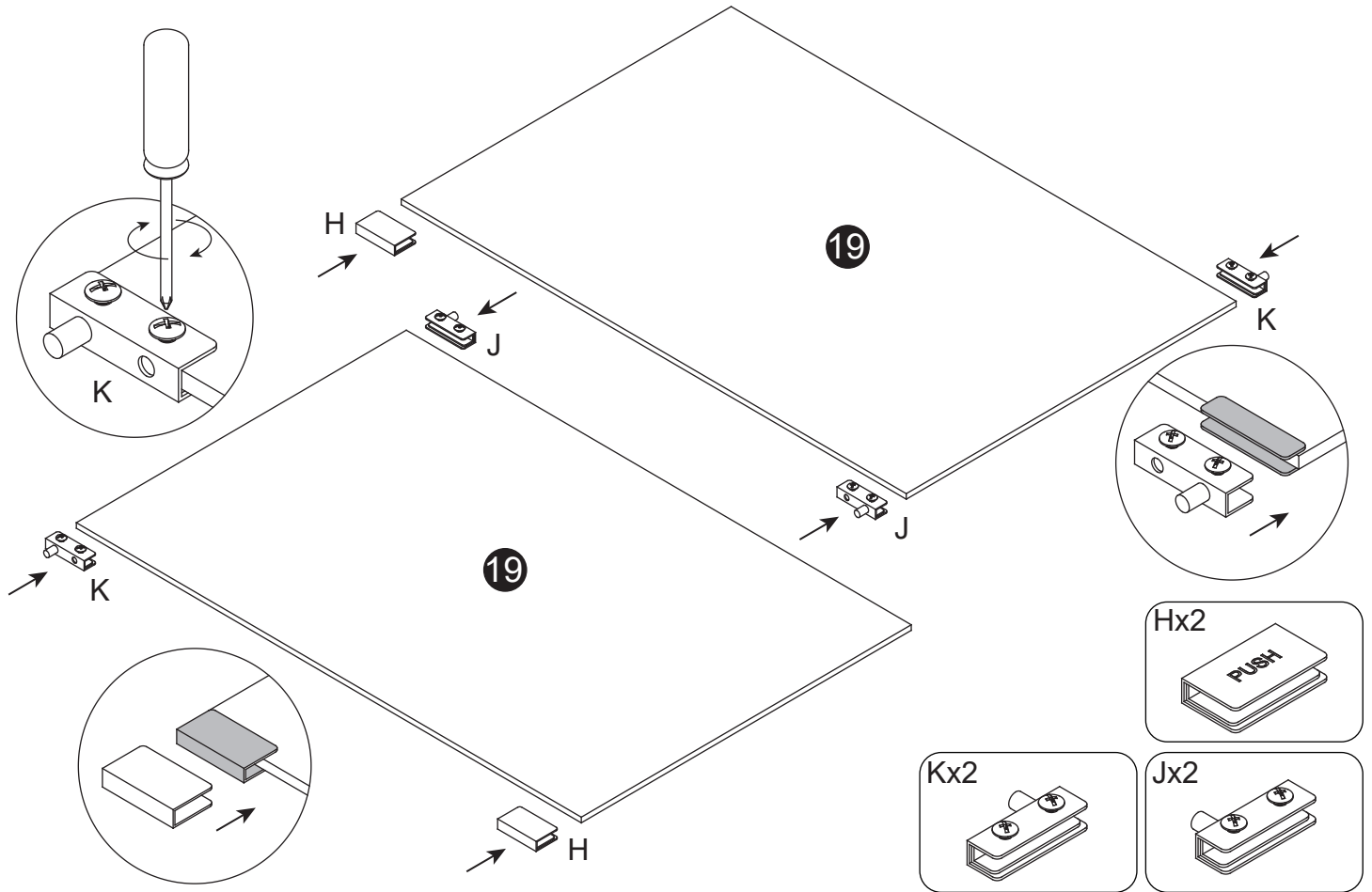
## STEP 14

The light strip, clips, and screws are accessories for the fireplace. They require installation after the fireplace unit arrives. There is a protective film on the light strip; peeling it off before use will make installation easier.



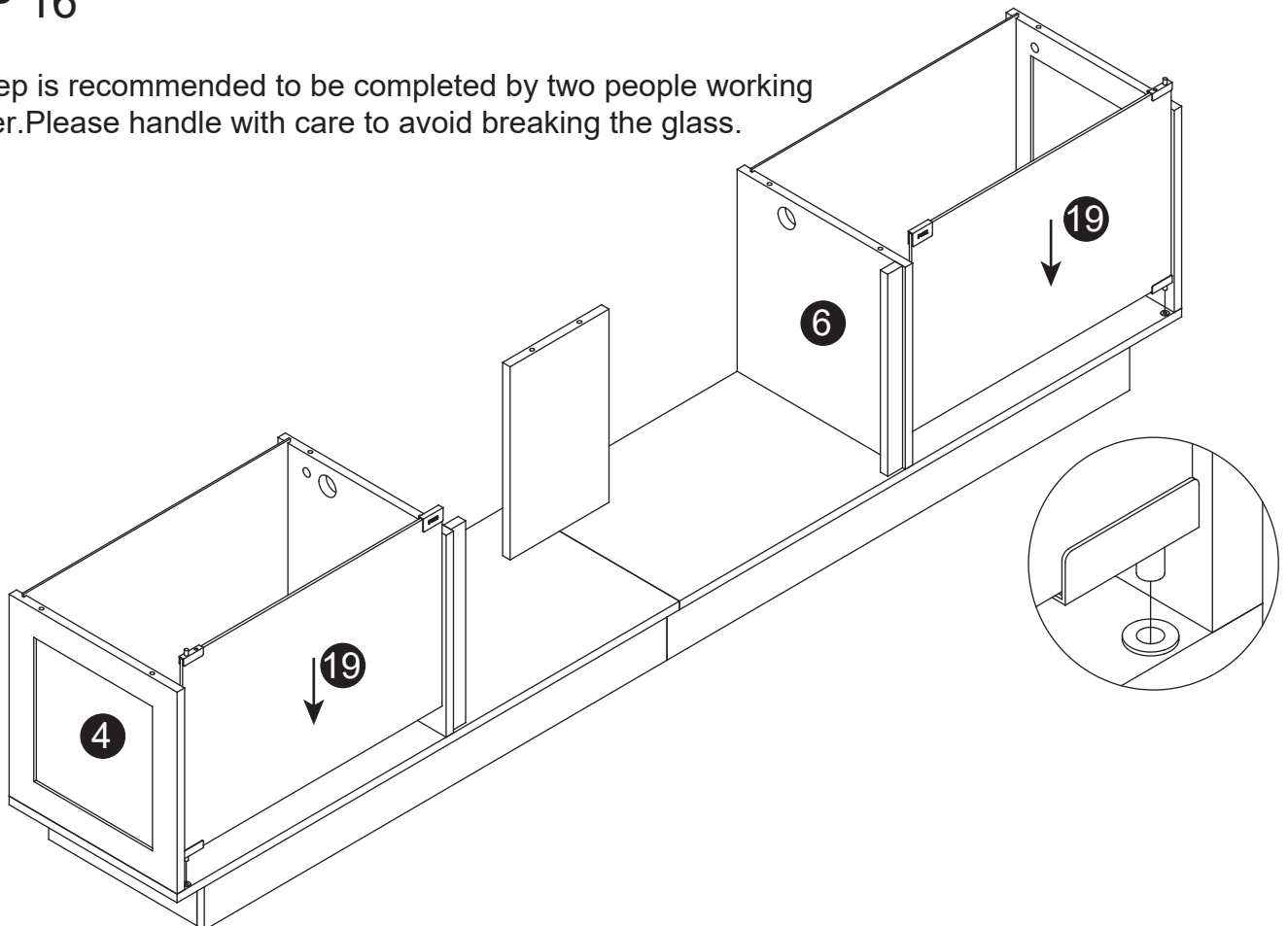
# Installation steps

## STEP 15



## STEP 16

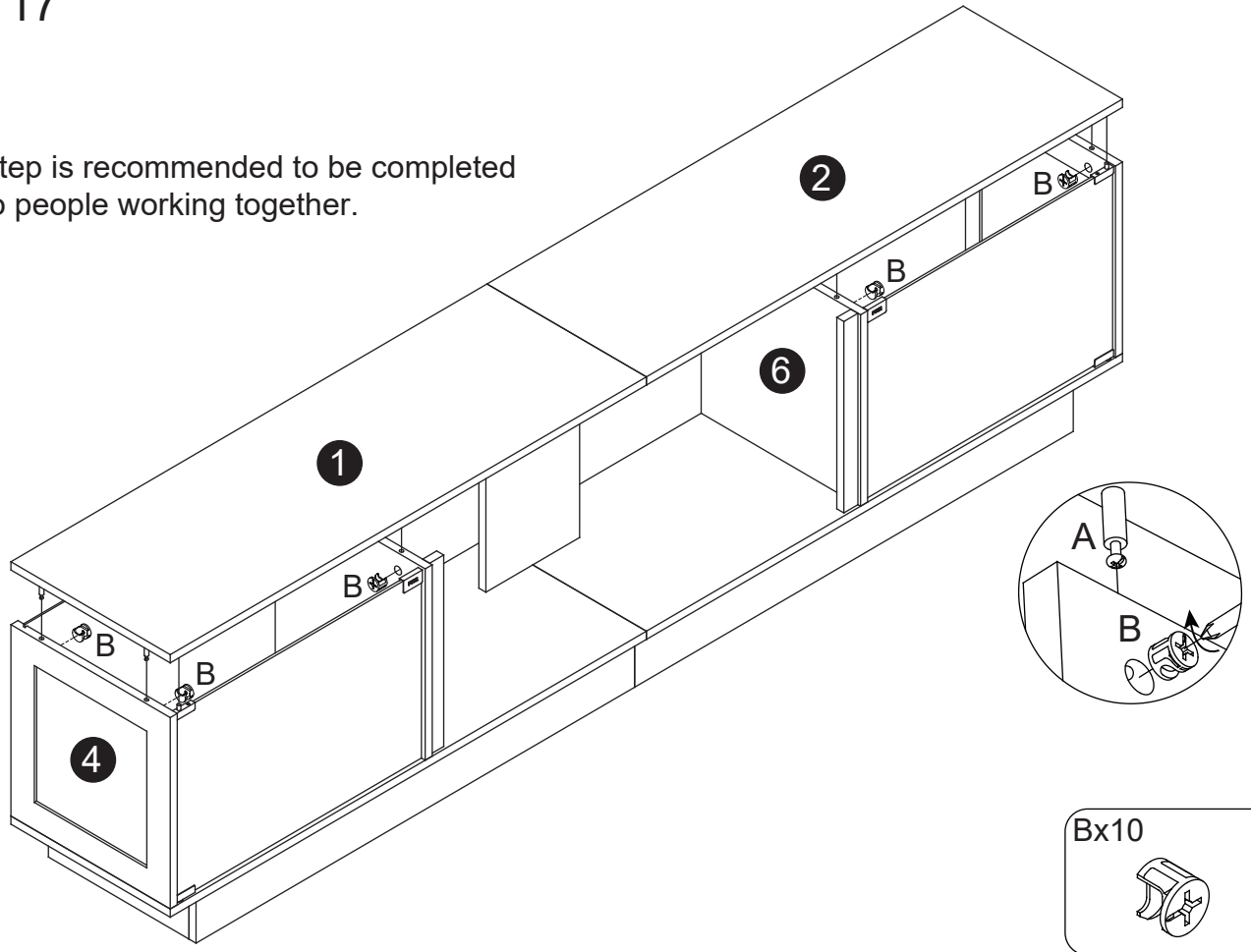
This step is recommended to be completed by two people working together. Please handle with care to avoid breaking the glass.



# Installation steps

## STEP 17

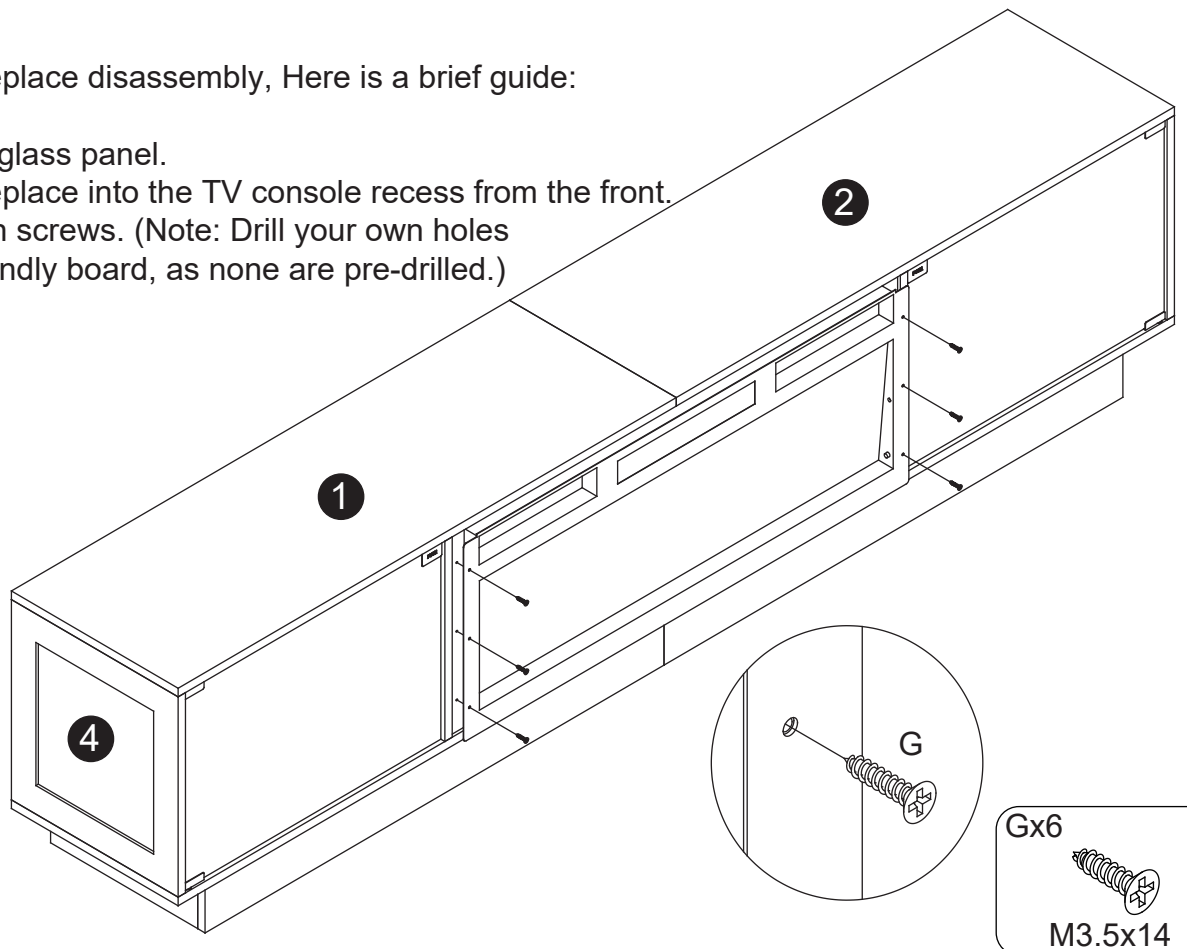
This step is recommended to be completed by two people working together.



## STEP 18

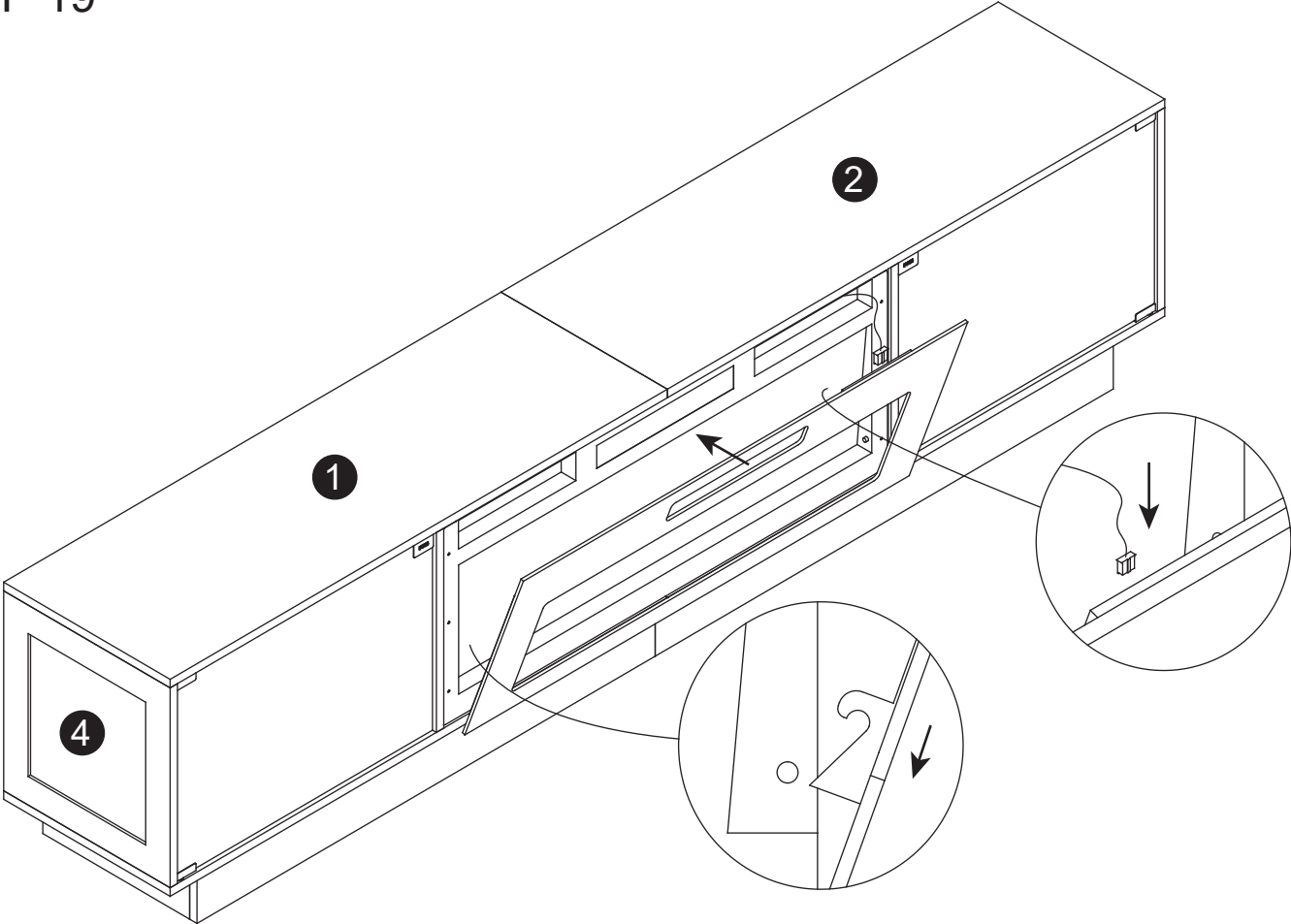
For detailed fireplace disassembly, Here is a brief guide:

1. Remove the glass panel.
2. Insert the fireplace into the TV console recess from the front.
3. Secure it with screws. (Note: Drill your own holes into the drill-friendly board, as none are pre-drilled.)



# Installation steps

## STEP 19



## STEP 20

