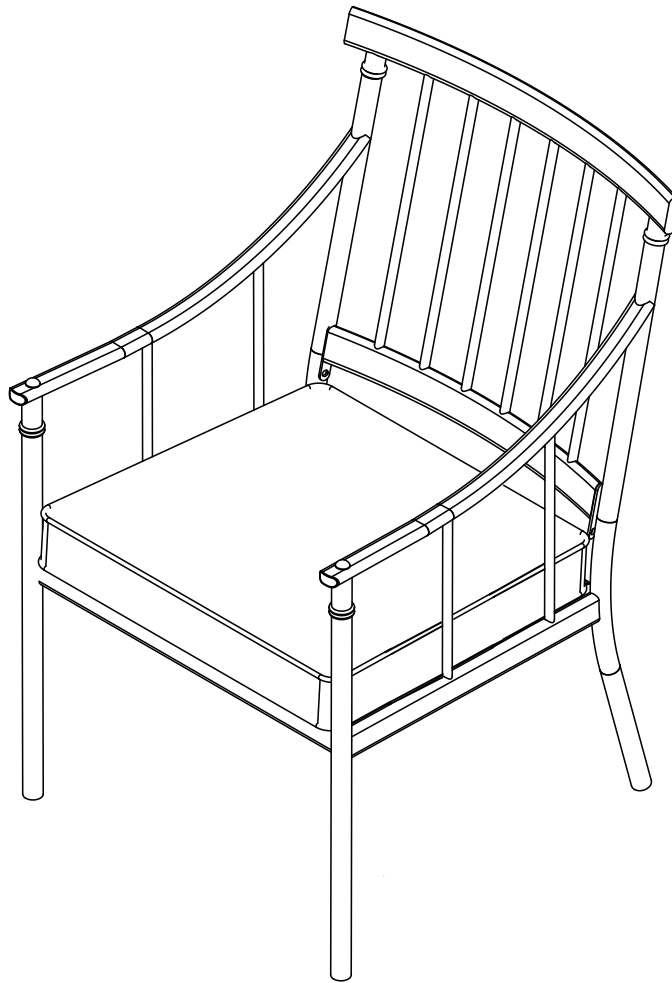


Life Gets Better With



USE AND CARE GUIDE

PV-344



Questions, problems, missing parts? Before returning to the store,
please contact our Customer Service

service@alphamarts.com

THANK YOU

We appreciate the trust and confidence you have placed in PHI VILLA through the purchase of our product. We strive to continually create quality products designed to enhance your home. Visit us online to see our full line of products available for your home improvement needs.

Thank you for choosing PHI VILLA!

Table of Contents

Table of Contents	2	Pre-assembly	3- 4
Safety Information	2	Assembly	5- 6
Warranty	2	Care And Maintenance	7
What is Covered	2		
What is Not Covered	2		

Safety Information

- Tighten each bolt firmly and properly. Do not completely tighten screws until all screws are started.
- Some parts may contain sharp edges. Wear protective gloves as necessary.
- Children under the age of 16 should not be engaged in the assembly, removal or disassembly of the product. Children under the age of 10 should be supervised by a competent adult while using this furniture.
- Please keep children out of the assembly area during assembly.
- This set is heavy, and may require two adults for safe assembly.
- Never use this product as a support. Do not shake, lean, or climb on the product at any time.



DANGER : Do not allow children to play with plastic wraps or small parts to prevent potential choking hazard.



CAUTION: Read all the instructions before assembly. Failure to do so may result in faulty assembly and potential injury!

Warranty

LIMITED WARRANTY

This warranty is a limited warranty, and applies to the original purchase is required. This is a residential warranty and does not apply to commercial use. This collection carries a (1) year limited warranty and is valid from original date of purchase to the original owner (proof of purchase required).

WHAT IS COVERED

We warrant the frame to be free of Manufacturing defects to the original purchaser for one year.

WHAT IS NOT COVERED

This warranty does not cover commercial use, hardware, acts of nature, fire, freezing and abusive.

In addition, purchased parts are not covered under this warranty.

We reserve the right to make substitutions with similar merchandise, if the model in question is no longer in production.

For a copy of our full limited warranty, please contact our customer service team below.

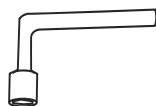
Pre-assembly (continued)

Assemble the item on a soft, non-abrasive surface, such as carpet or cardboard to avoid damaging the item. Seek assistance to assemble bulky or heavy items.



NOTE: Identify all parts packed in the carton against the parts list.
Remove all the protective material carefully and DO NOT use a knife to prevent scratching the furniture.

TOOLS REQUIRED

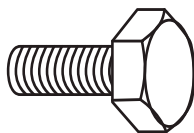


_____ EE

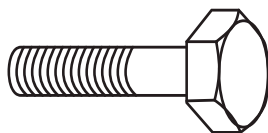
HARDWARE INCLUDED



NOTE: Hardware shown to actual size.



_____ AA



_____ BB



_____ CC

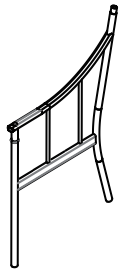


_____ DD

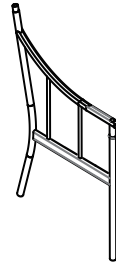
Part	Description	Quantity
AA	M6*15 Hex Bolt	4+1
BB	M6*25 Hex Bolt	8+1
CC	M6 Washer	12+1
DD	M6 Hex Bolt Cap	12+1
EE	Socket Wrench	1

Pre-Assembly (continued)

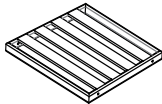
PACKAGE CONTENTS



_____ A₁



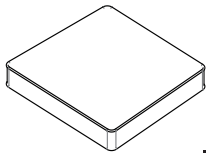
_____ A₂



_____ B



_____ C



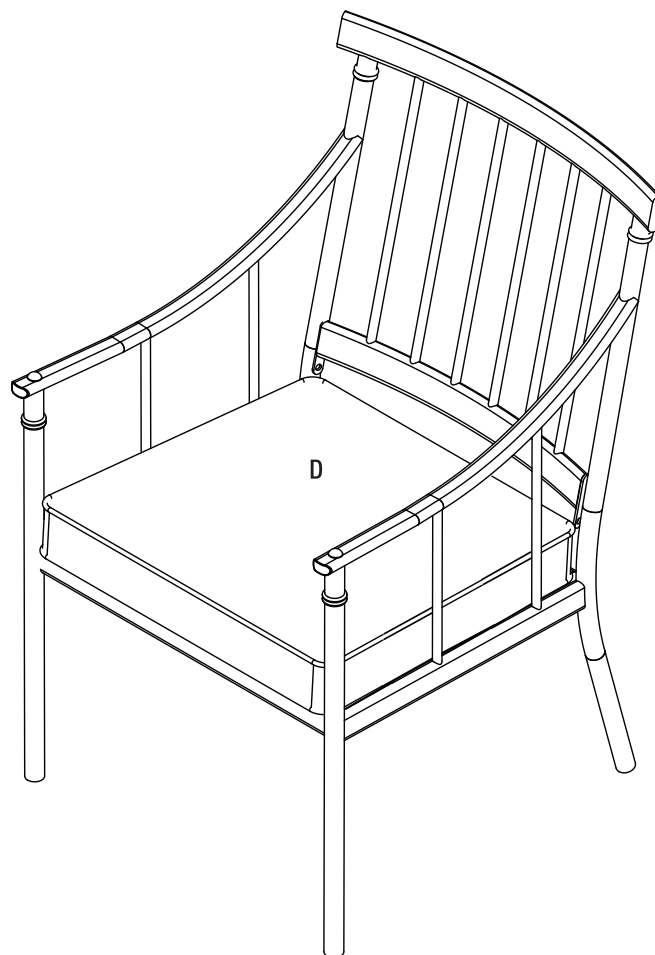
_____ D

Part	Description	Quantity
A ₁	Left arm	2
A ₂	Right arm	2
B	Seat frame	2
C	Back frame	2
D	Seat cushion	2

Assembly (Continued)

3 Attaching The Cushion

- Put the cushion (D) onto the seat (B).
- The chair is now ready for use.
- Repeat step 1-3 for the second Chair.

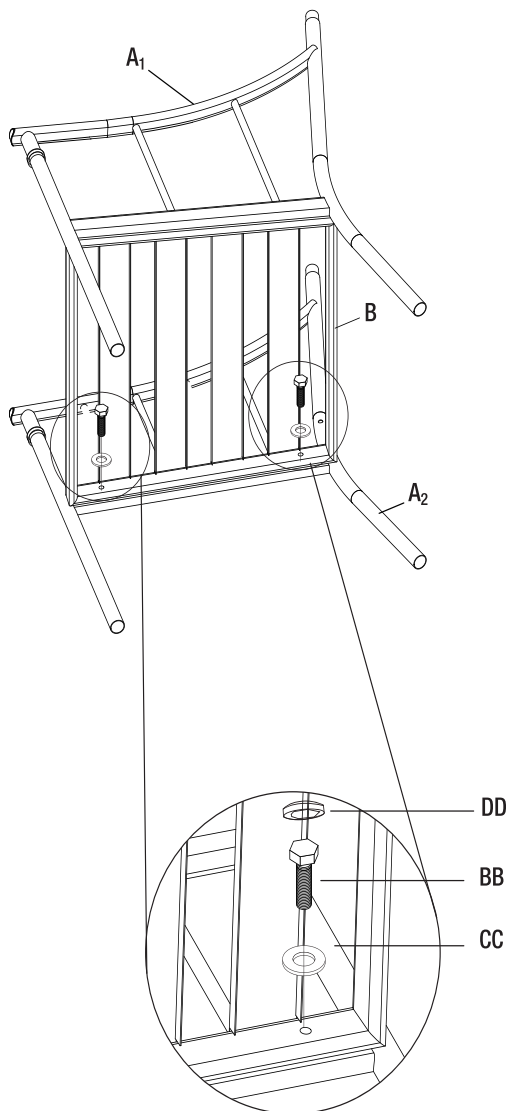


Assembly

1 Attaching The Leg

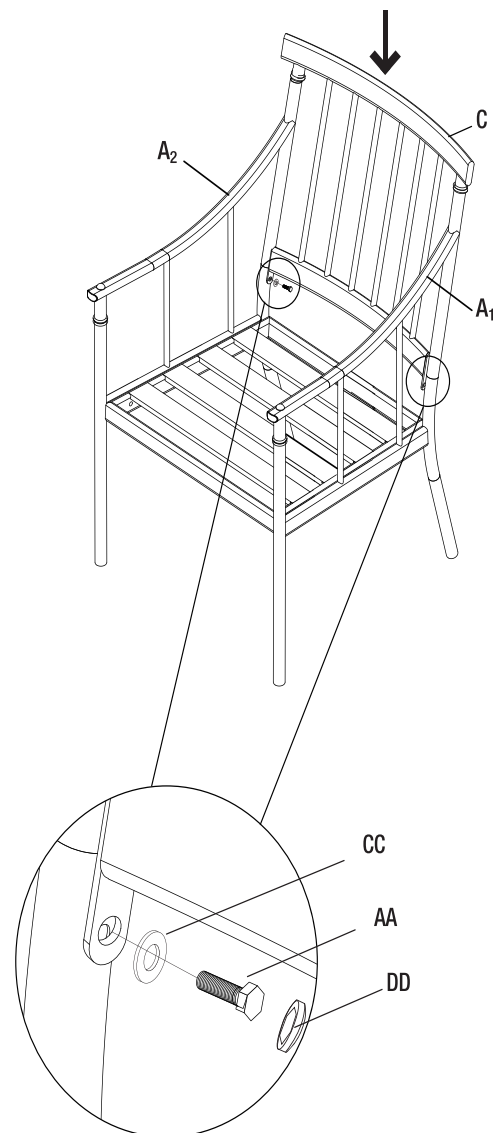
- Place the seat frame (B) and arms (A₁) and (A₂) on a soft, flat non-abrasive surface.
- Attach the left arm (A₁) and right arm (A₂) to the seat frame (B) using the M6*25 Hex bolts (BB) and washers (CC).

DO NOT FULLY TIGHTEN THE BOLTS, ONLY HAND TIGHTEN UNTIL ASSEMBLY IS COMPLETE. THEN FULLY TIGHTEN WITH THE PROVIDED WRENCH.



2 Attaching The Back

- Attach the back (C) to the arm (A₁) and (A₂) using the M6*15 hex bolts (AA) and washers (CC).
- Please ensure all the bolts are assembled correctly. Tighten all the hex bolts (AA) and (BB) with the wrench (EE). Attach the hex bolt caps (DD).





Care and Cleaning

- Clean the furniture frame with a wet towel using a mild soap and water solution, dry completely with a soft towel.
- Clean the cushions and the sling seat material with a mild solution of soap and water. Hang cushions to drip dry completely. It is recommended that cushions be stored in a dry area during rain and if they are not in use and indirect sunlight. Do not machine wash or dry. Do not use bleach or strong solvents to clean any of your patio furniture. It will harm both fabrics and metal finishes.
- Cushion should not be used when using oils, lotions and other chemicals such as chlorine or repeated exposure to extreme weather conditions (including heat), which may cause permanent discoloration to the fabric.
- To maintain and protect the furniture, always cover it with an outdoor furniture cover or store in a safe dry area when not in use for long periods of time.



Questions, problems, missing parts? Before returning to the store
please contact our Customer Service

service@alphamarts.com

1-877-606-2818