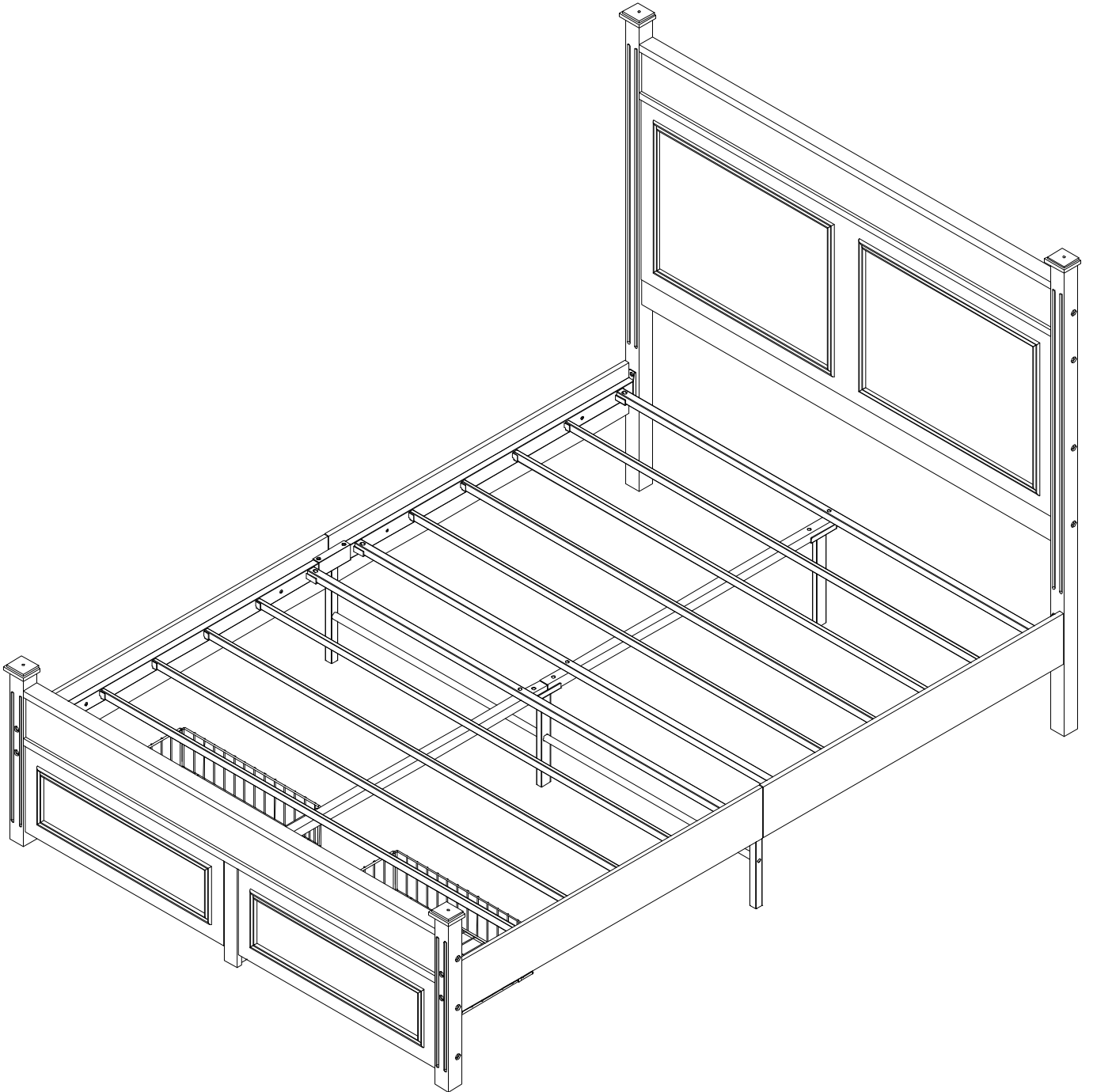


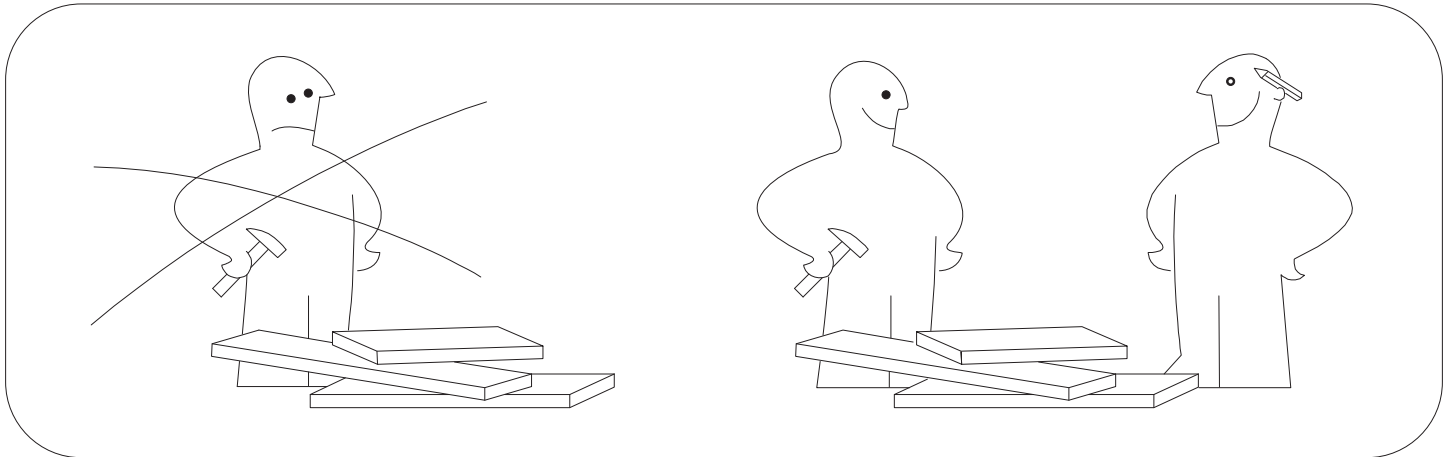
ASSEMBLY INSTRUCTIONS



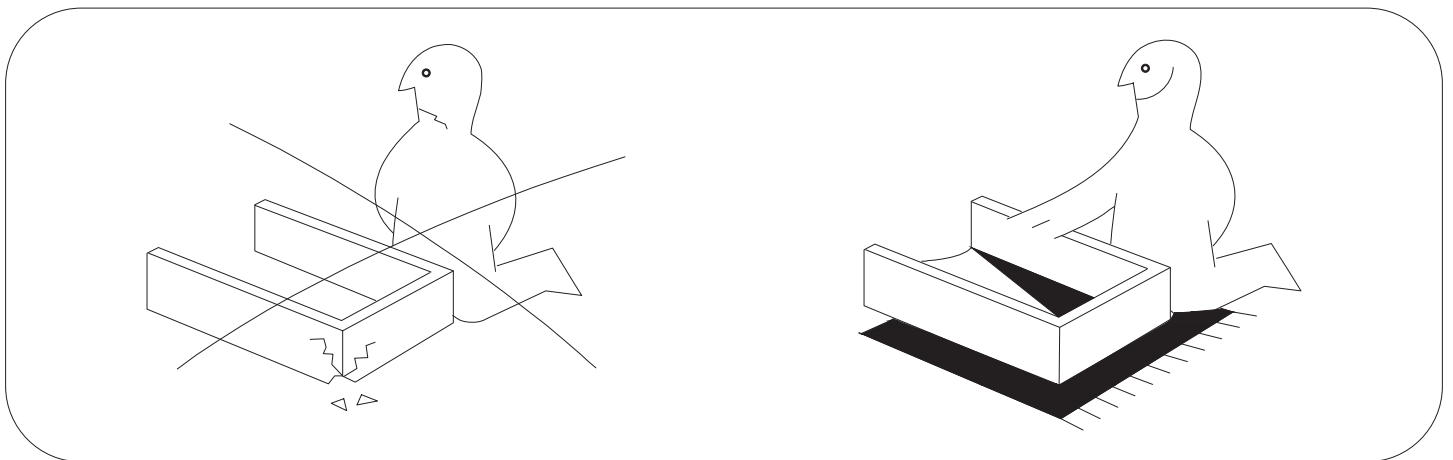


WARNING

Need Two Or More People To Complete

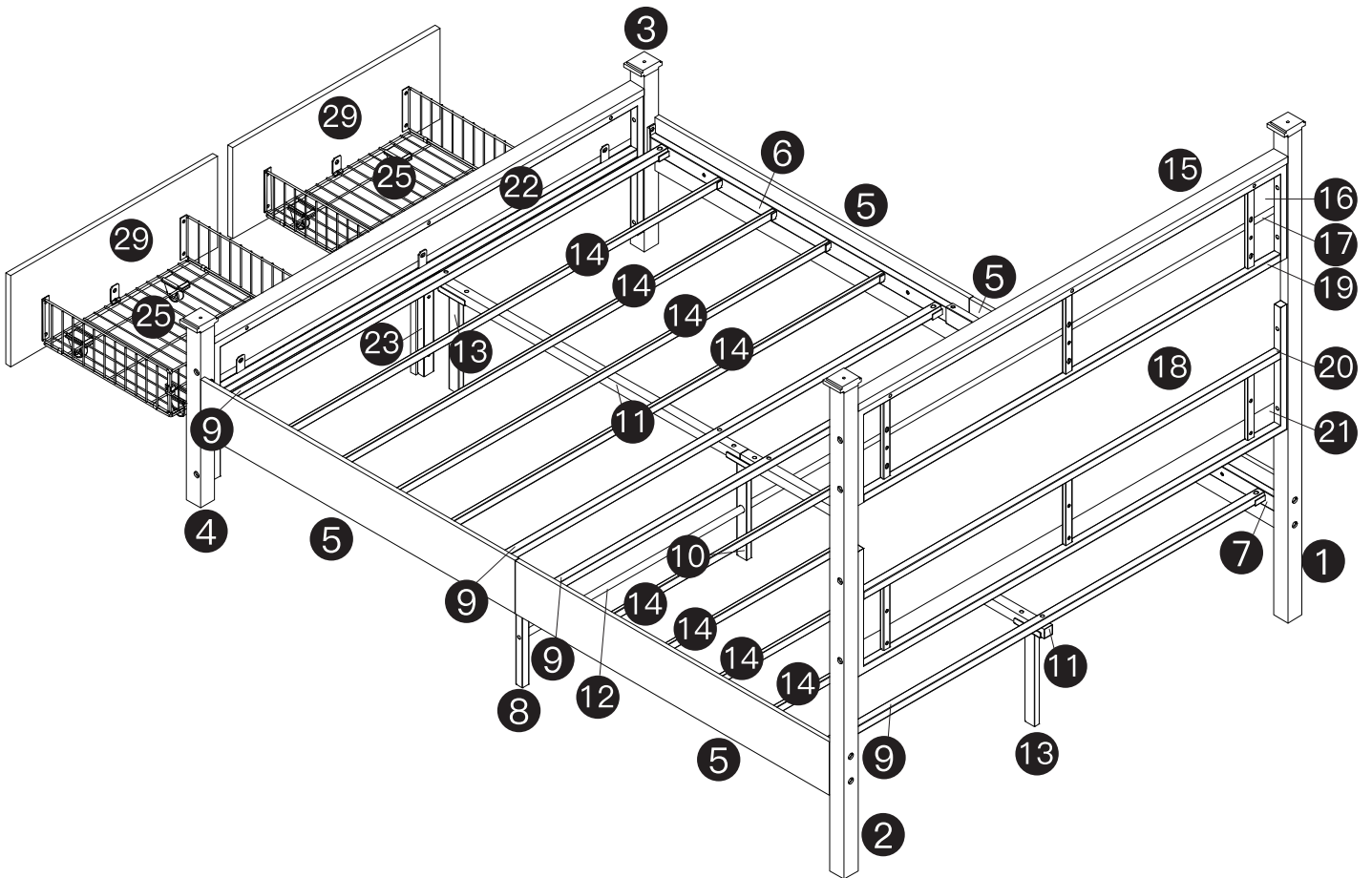


Assemble Item On a Clean Flat Surface



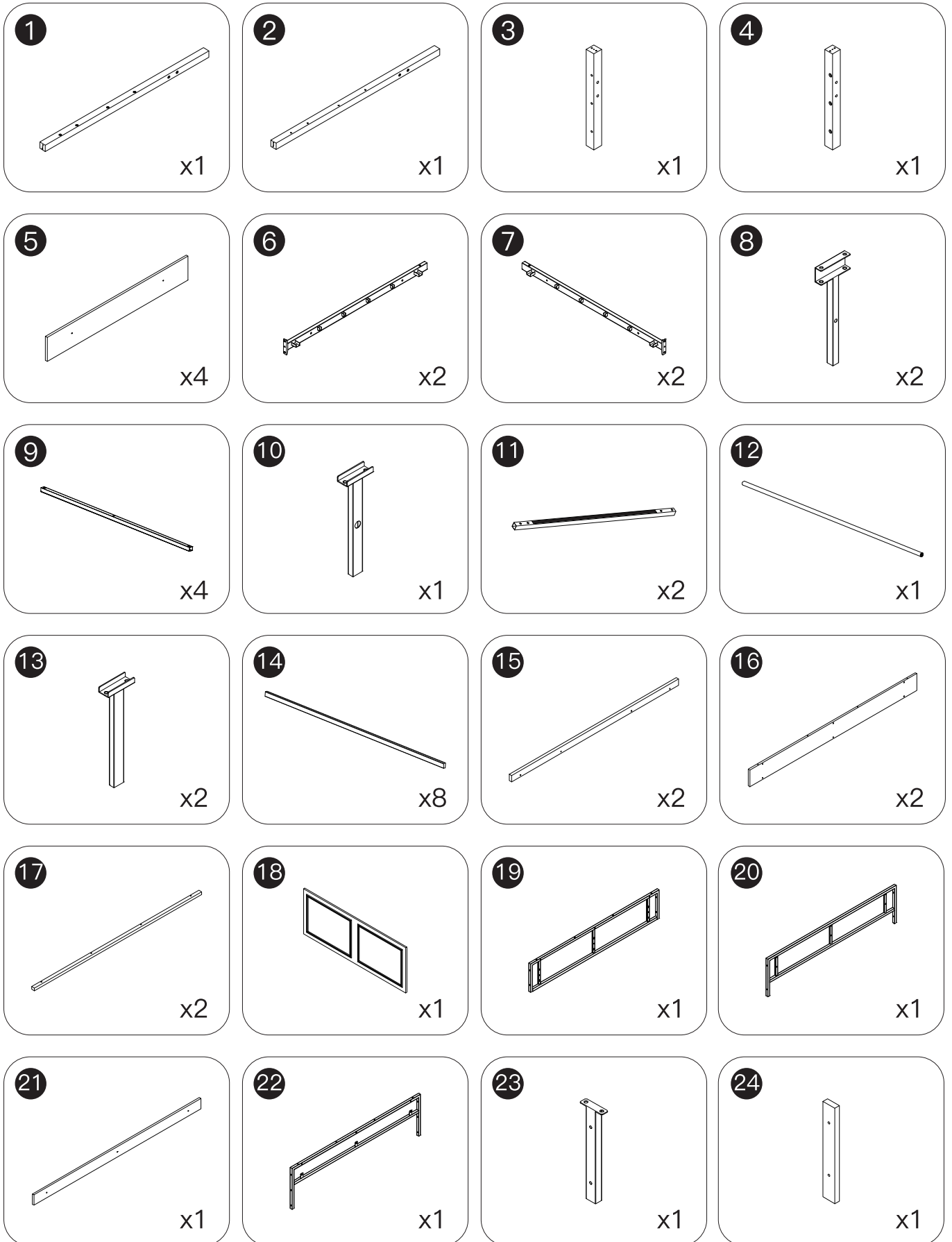
- Please check you have all hardware before assembling.
- Please ensure you have the name of the item and hardware part required and quantity.
- If you have any questions, please contact us by original purchase platform. we will reply you ASAP.
- Please don't tighten the screws completely and go back later for a final tightening of all the screws after pieces are aligned with each other.

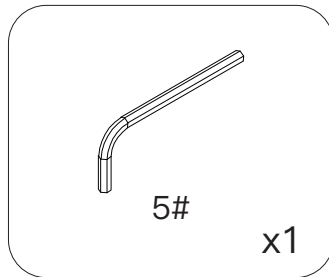
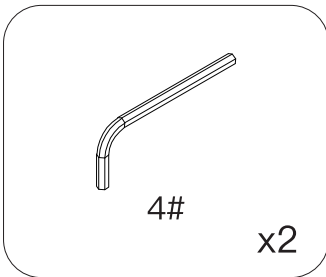
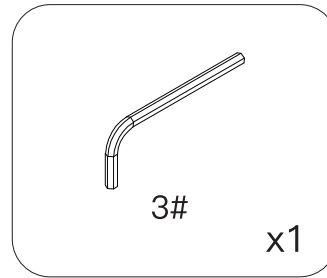
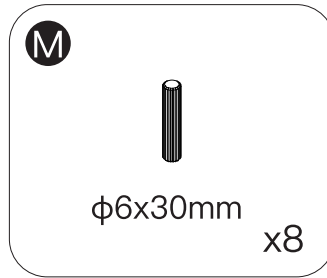
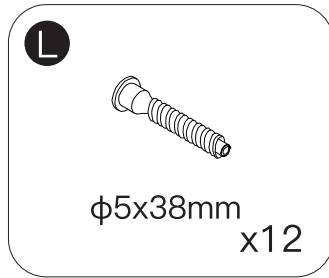
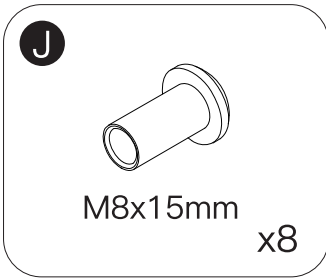
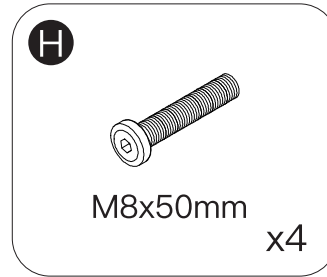
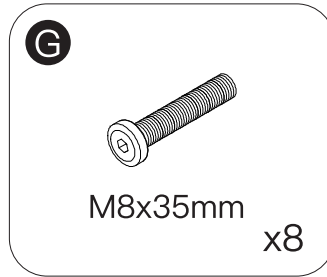
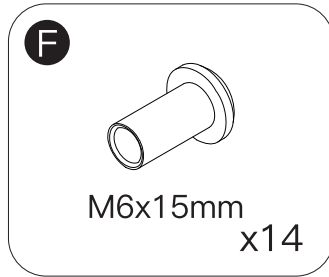
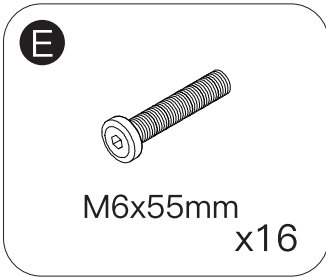
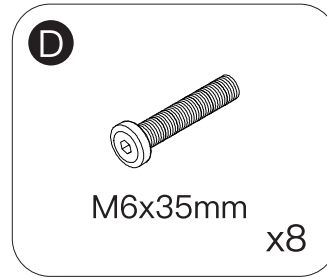
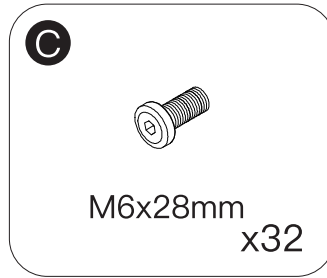
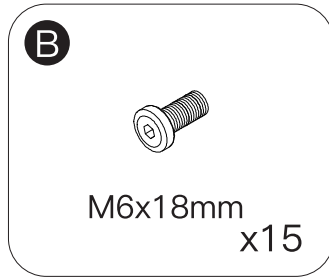
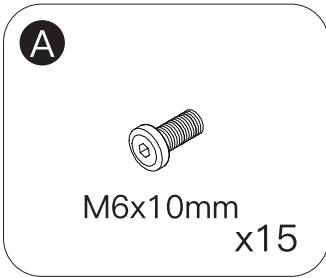
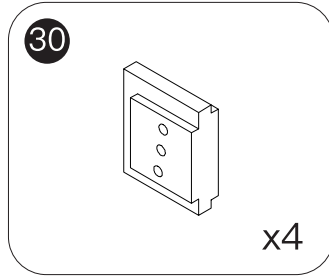
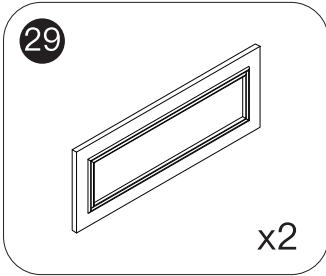
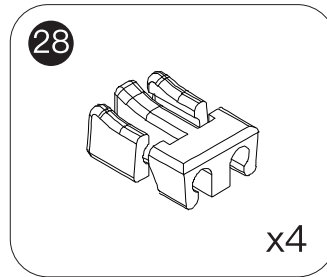
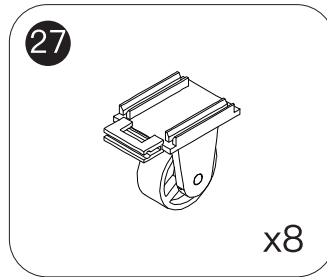
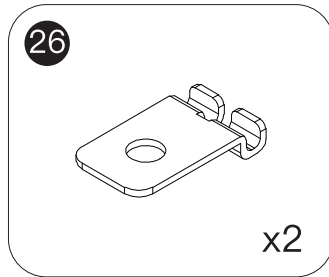
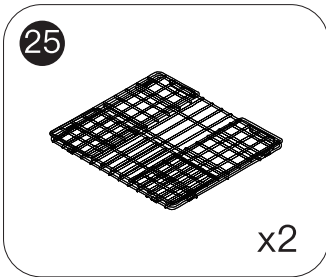
EXPLODED DRAWING:



Please check all parts and accessories according to the parts list before assembling, make sure all contents are sufficient and in good condition. If there is any parts missing or defective, please contact us with purchase platform message immediately to get replacement parts.

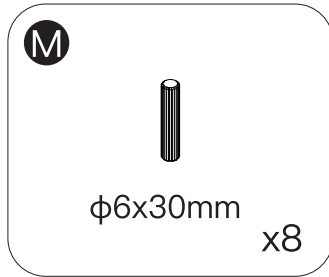
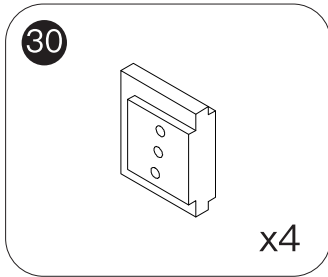
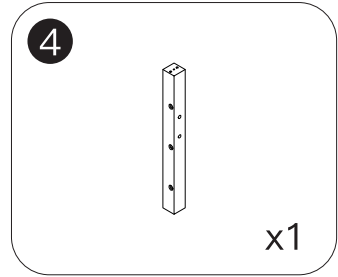
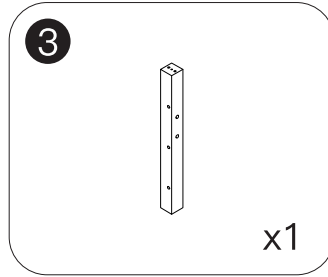
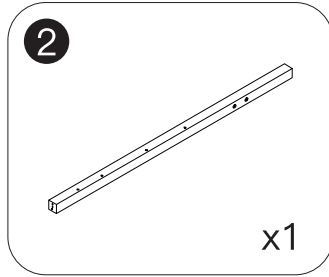
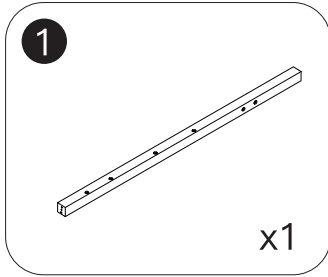
PARTS:





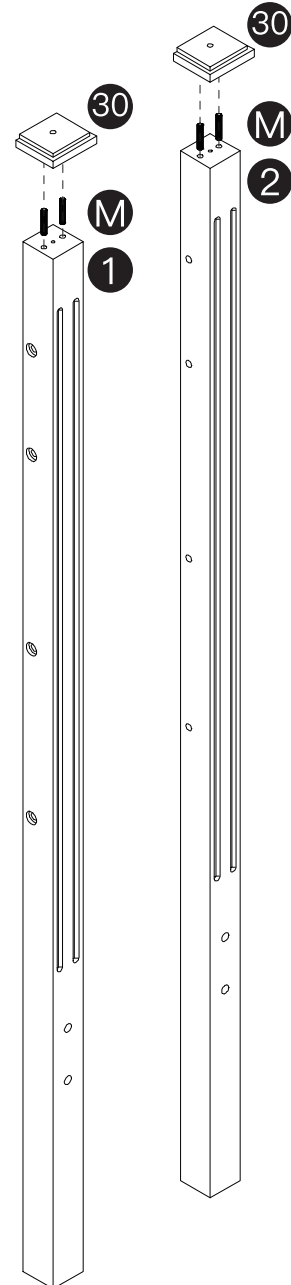
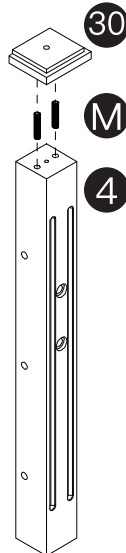
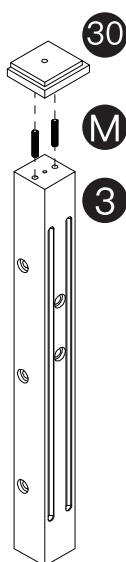
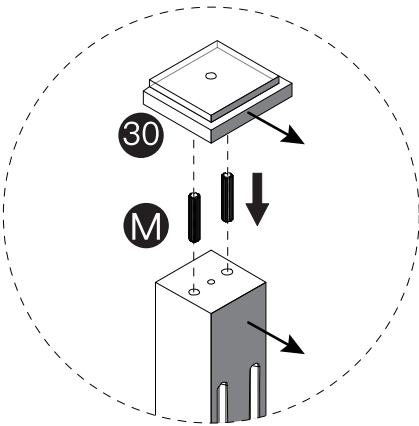
HOW TO INSTALL

STEP 1



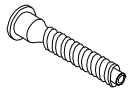
NOTICE:

Please pay attention to the direction of part 30 .

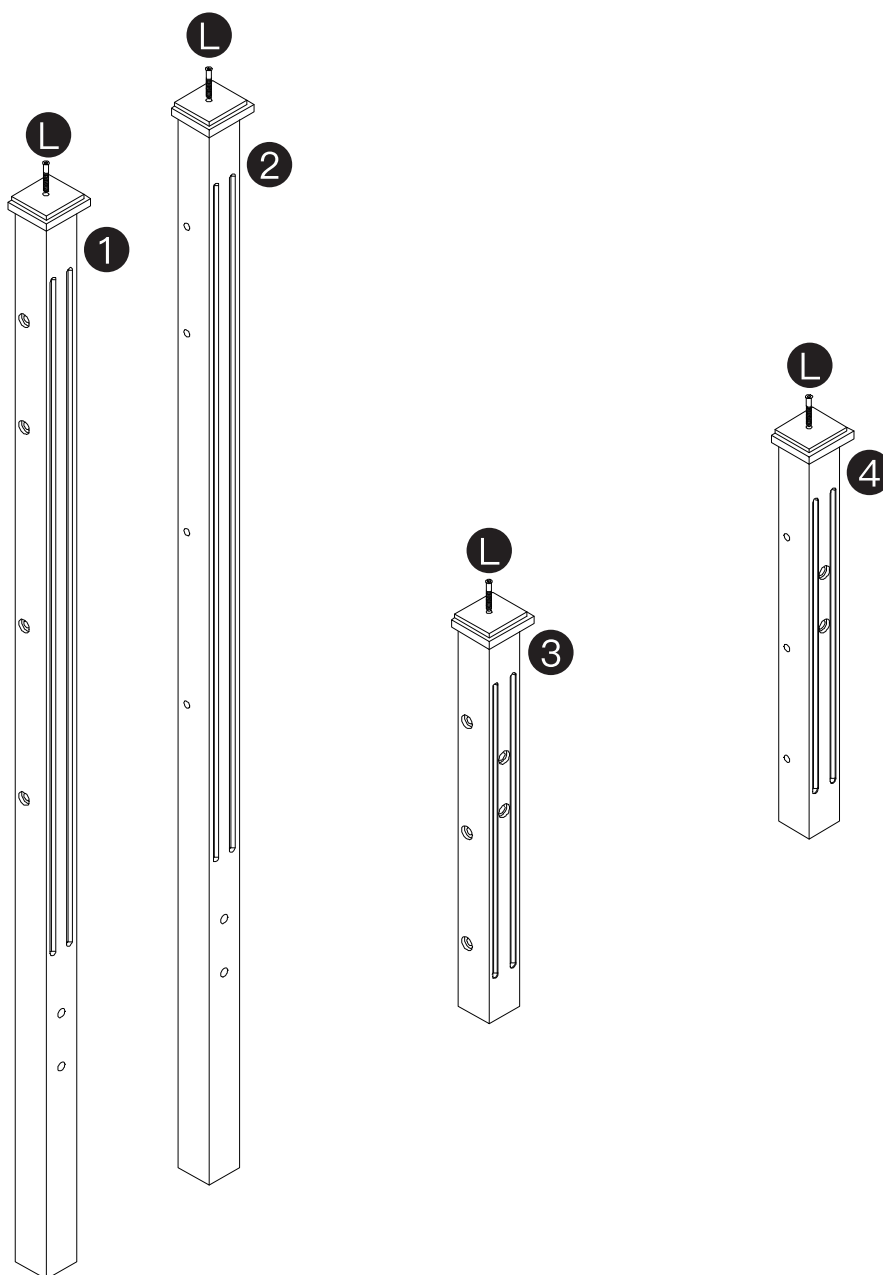


STEP 2

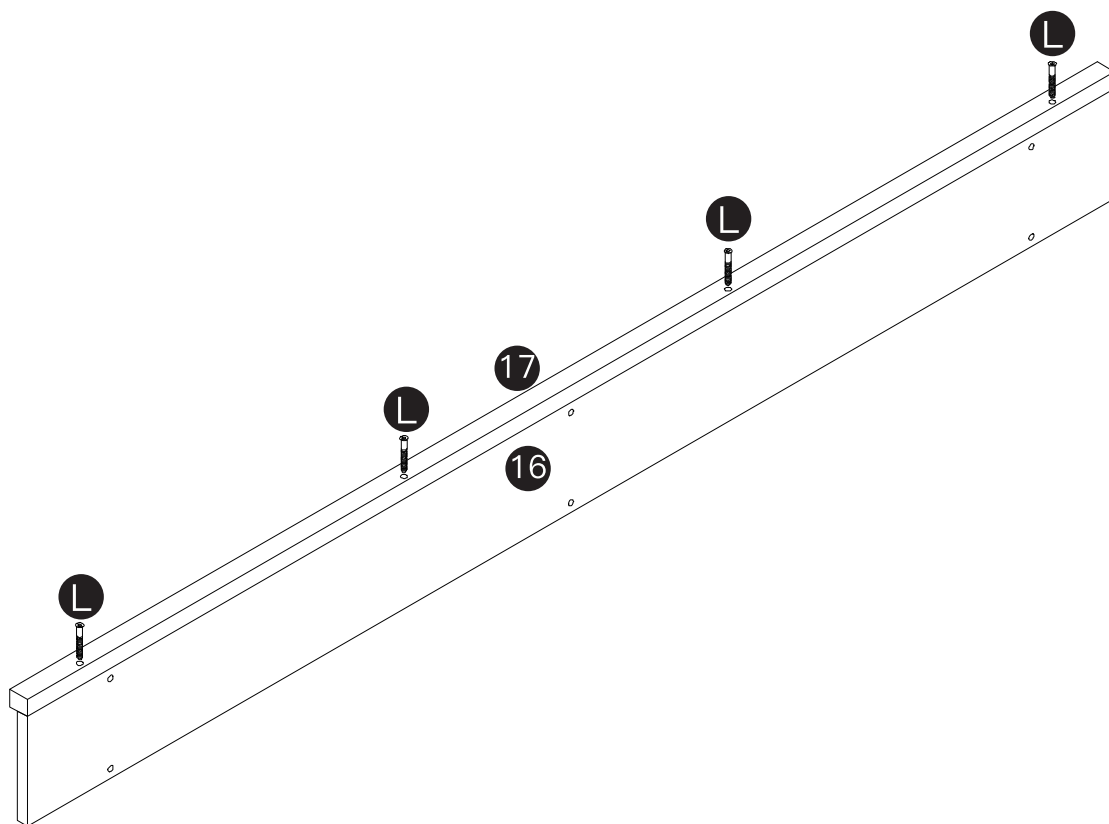
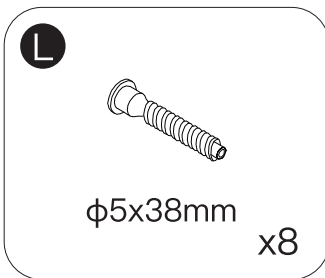
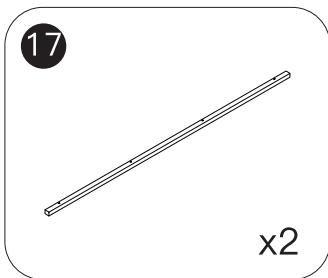
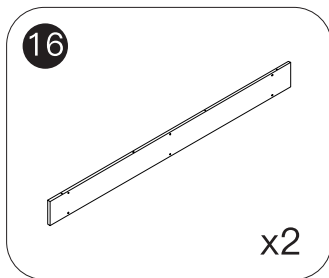
L



$\phi 5 \times 38 \text{mm}$
x4

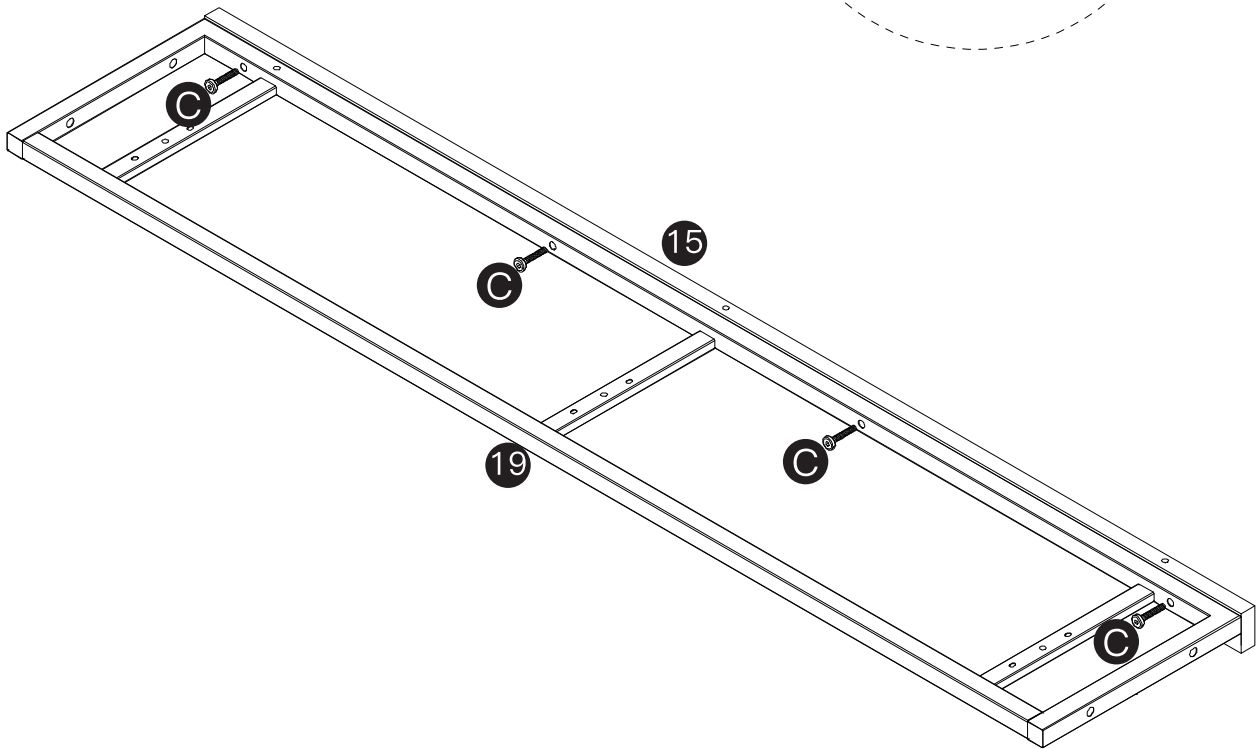
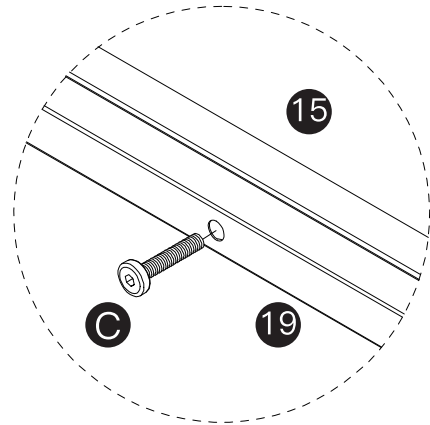
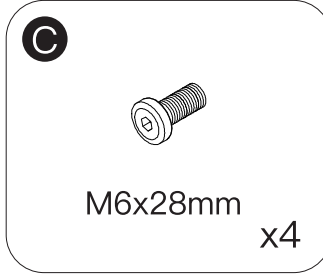
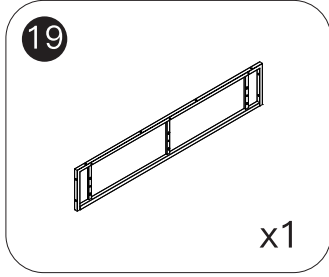
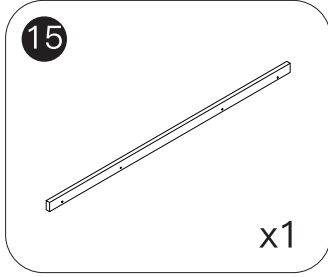


STEP 3



x2

STEP 4

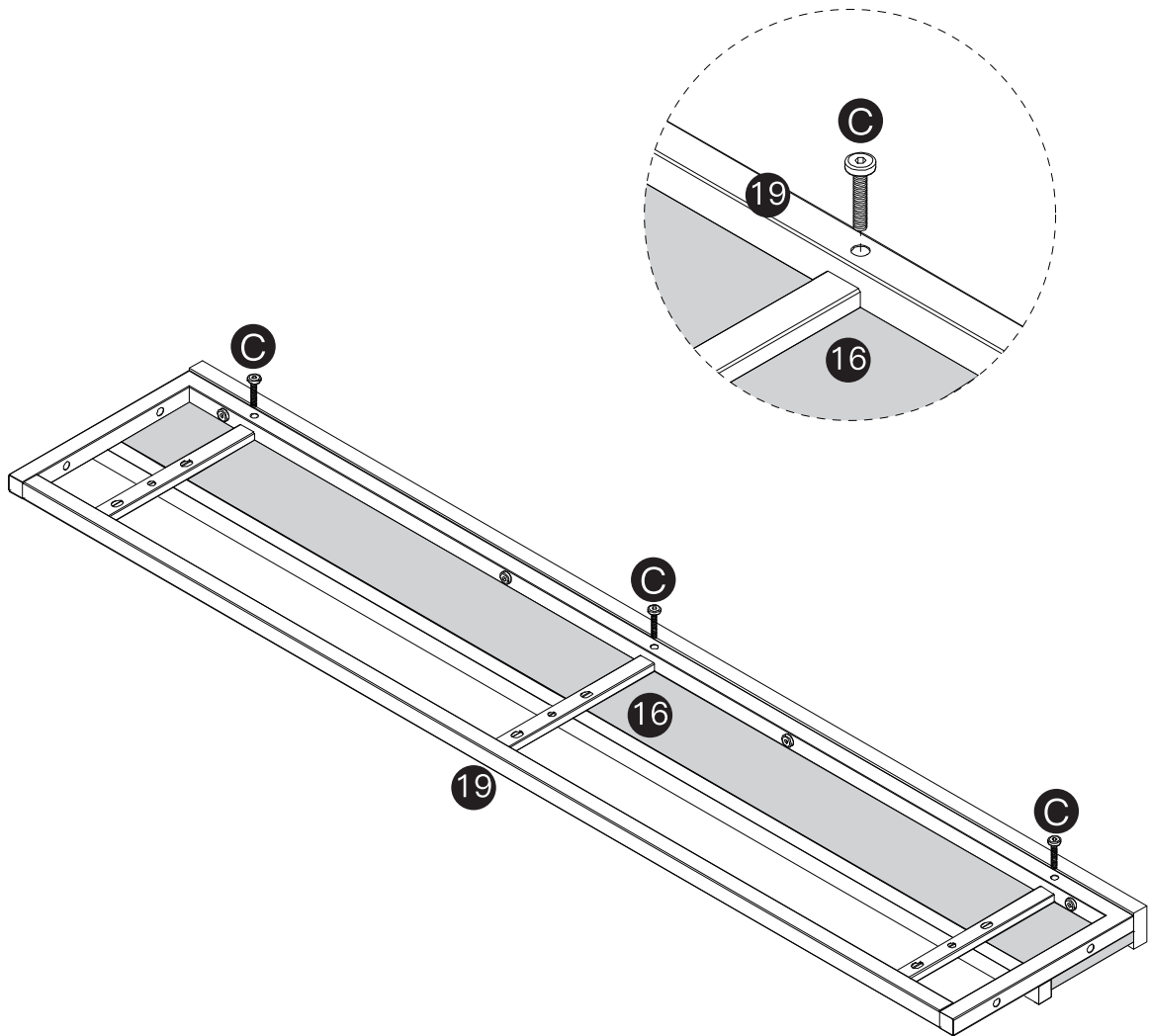


STEP 5

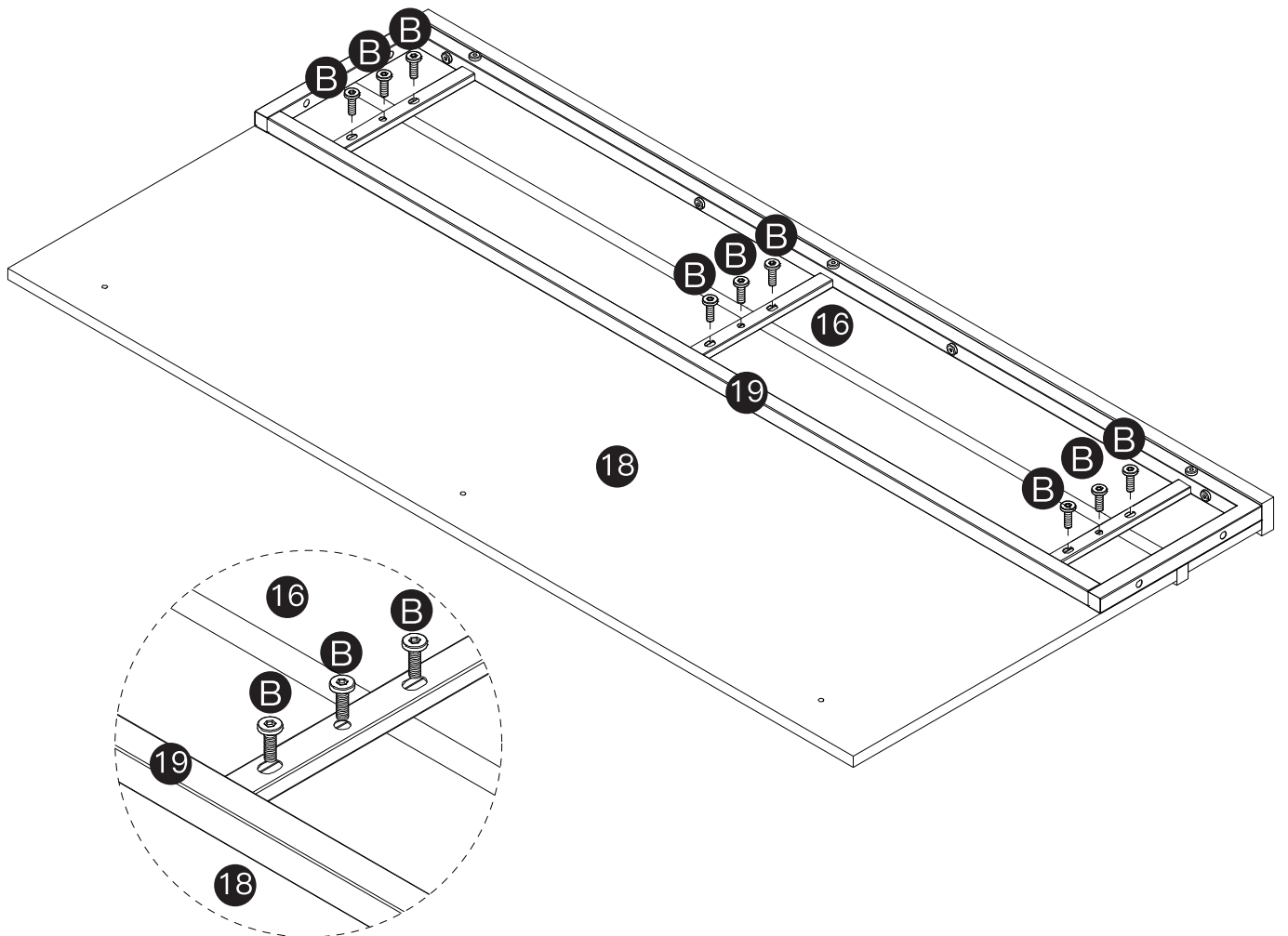
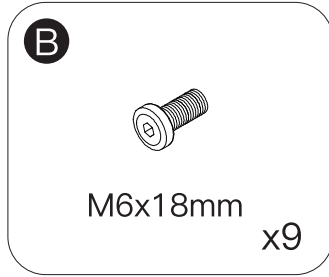
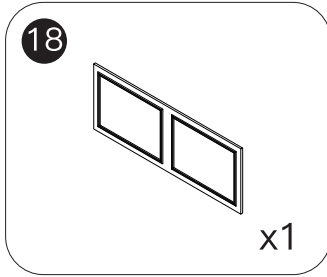
C



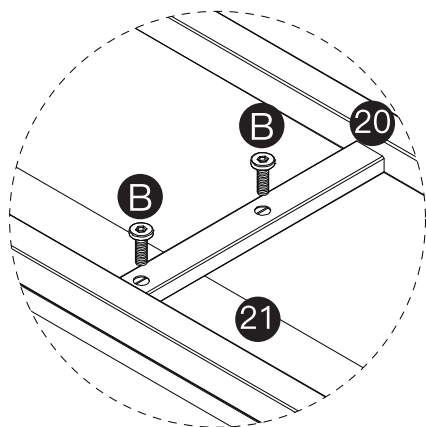
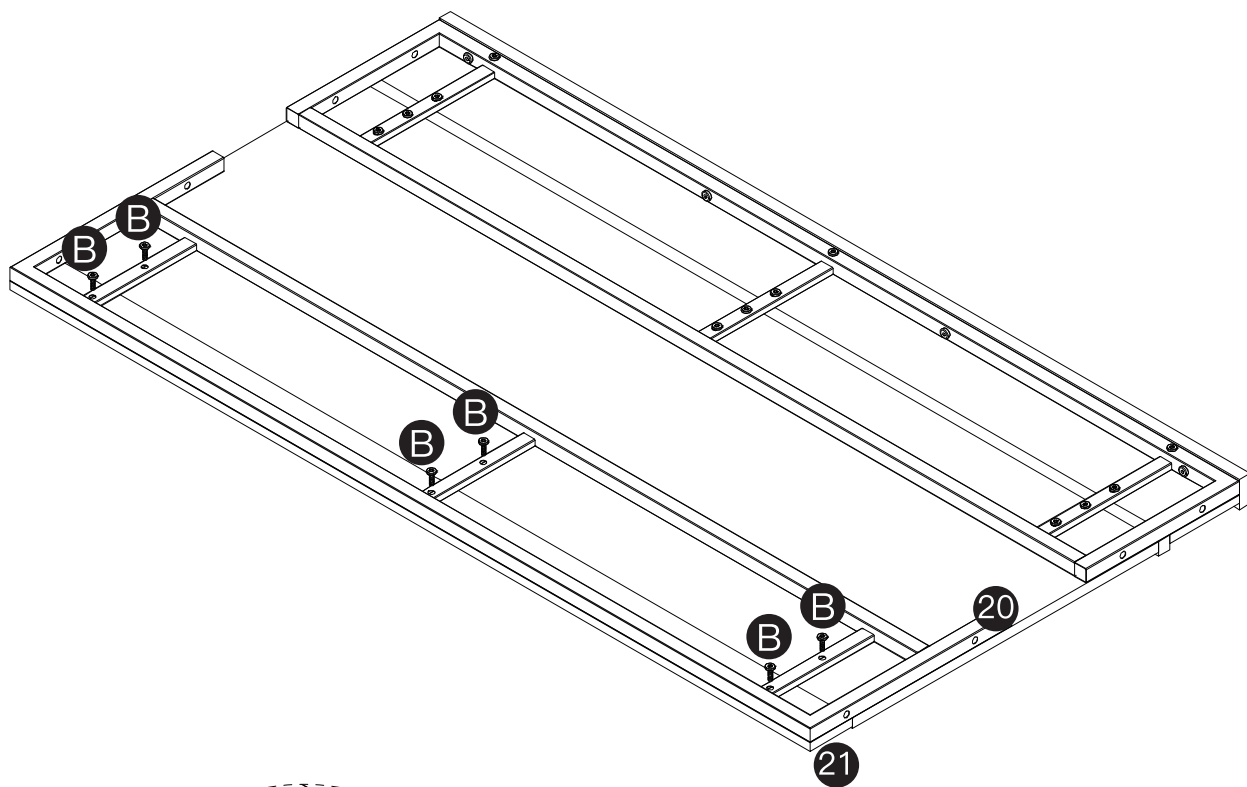
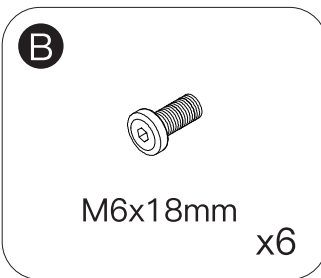
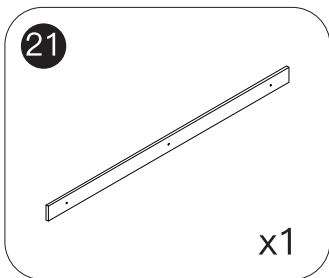
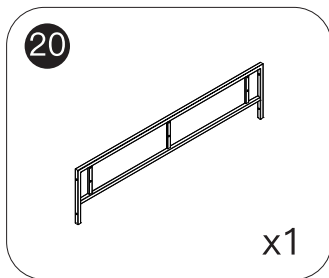
M6x28mm
x3



STEP 6

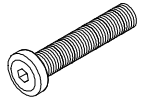


STEP 7



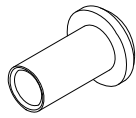
STEP 8

E

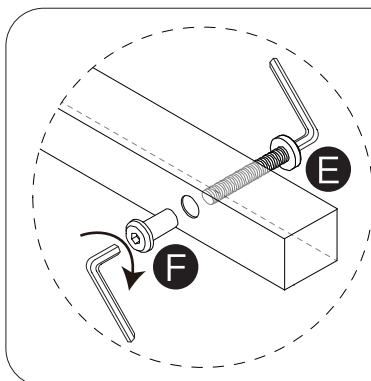
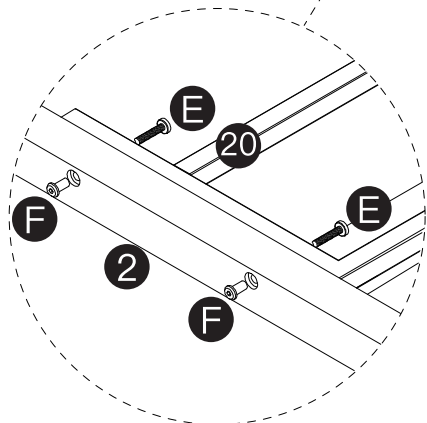
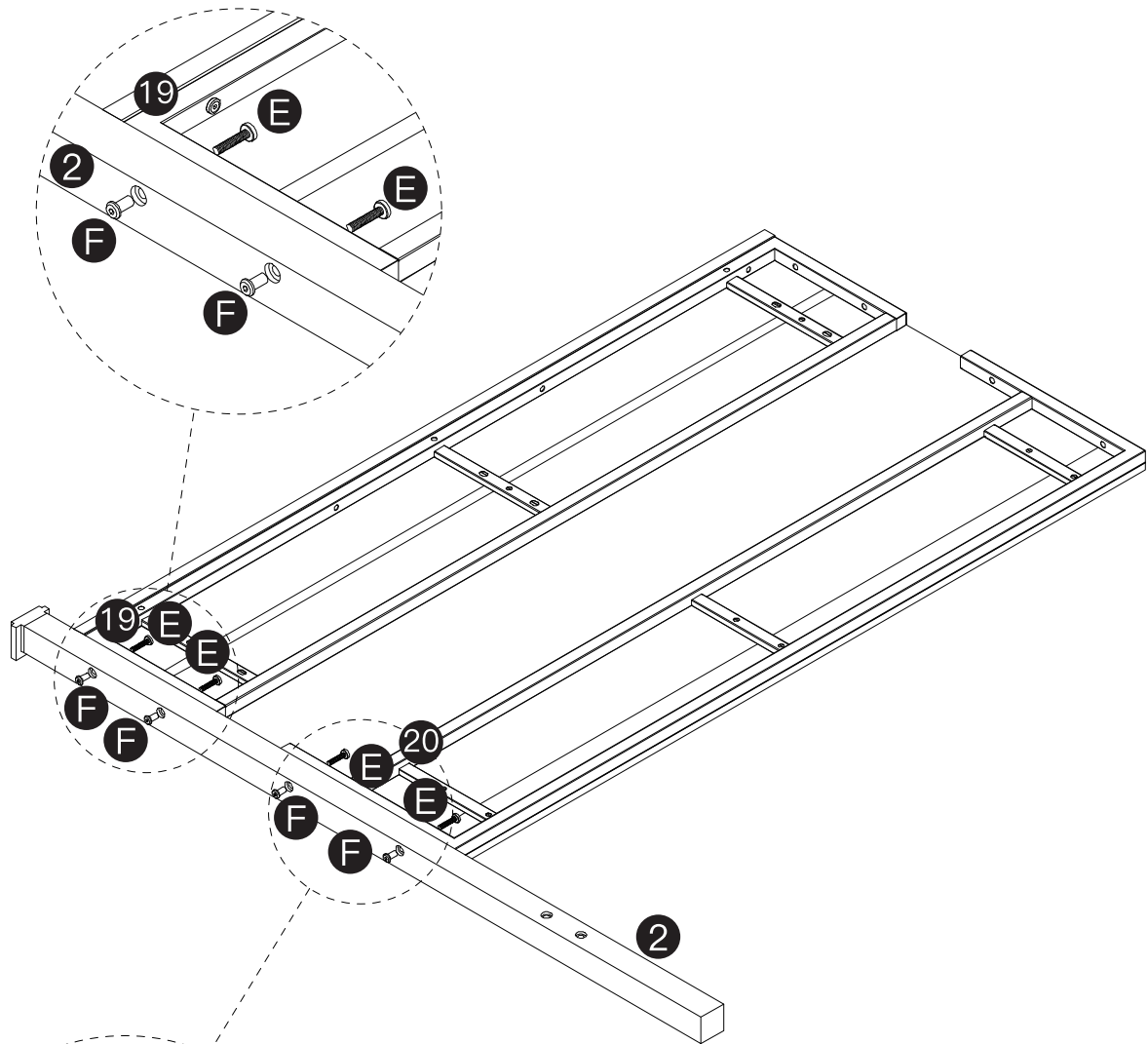


M6x55mm
x4

F



M6x15mm
x4

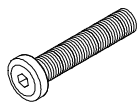


! NOTICE

Please Secure part **E** first with hex screwdriver, then lock it with part **F**.

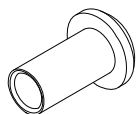
STEP 9

E

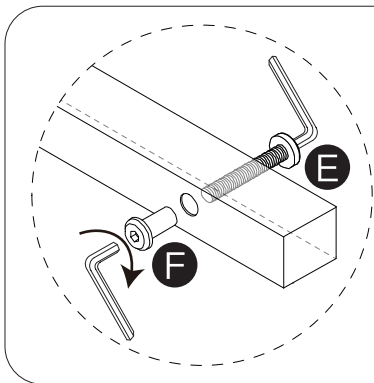
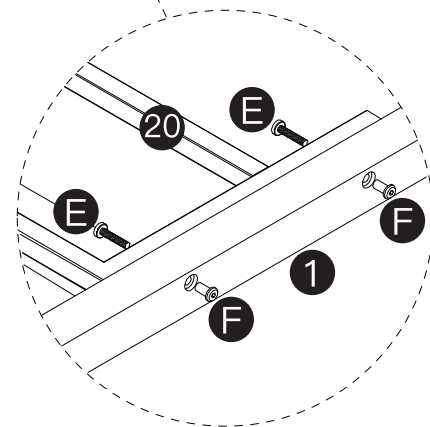
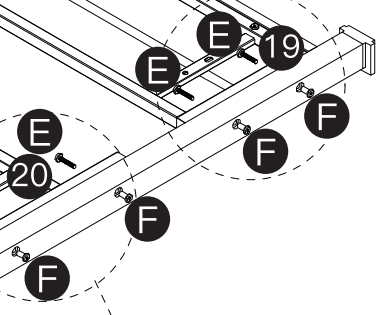
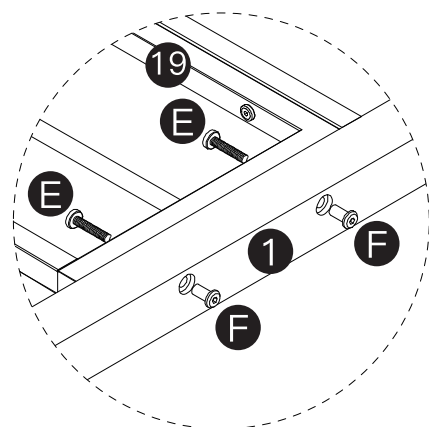
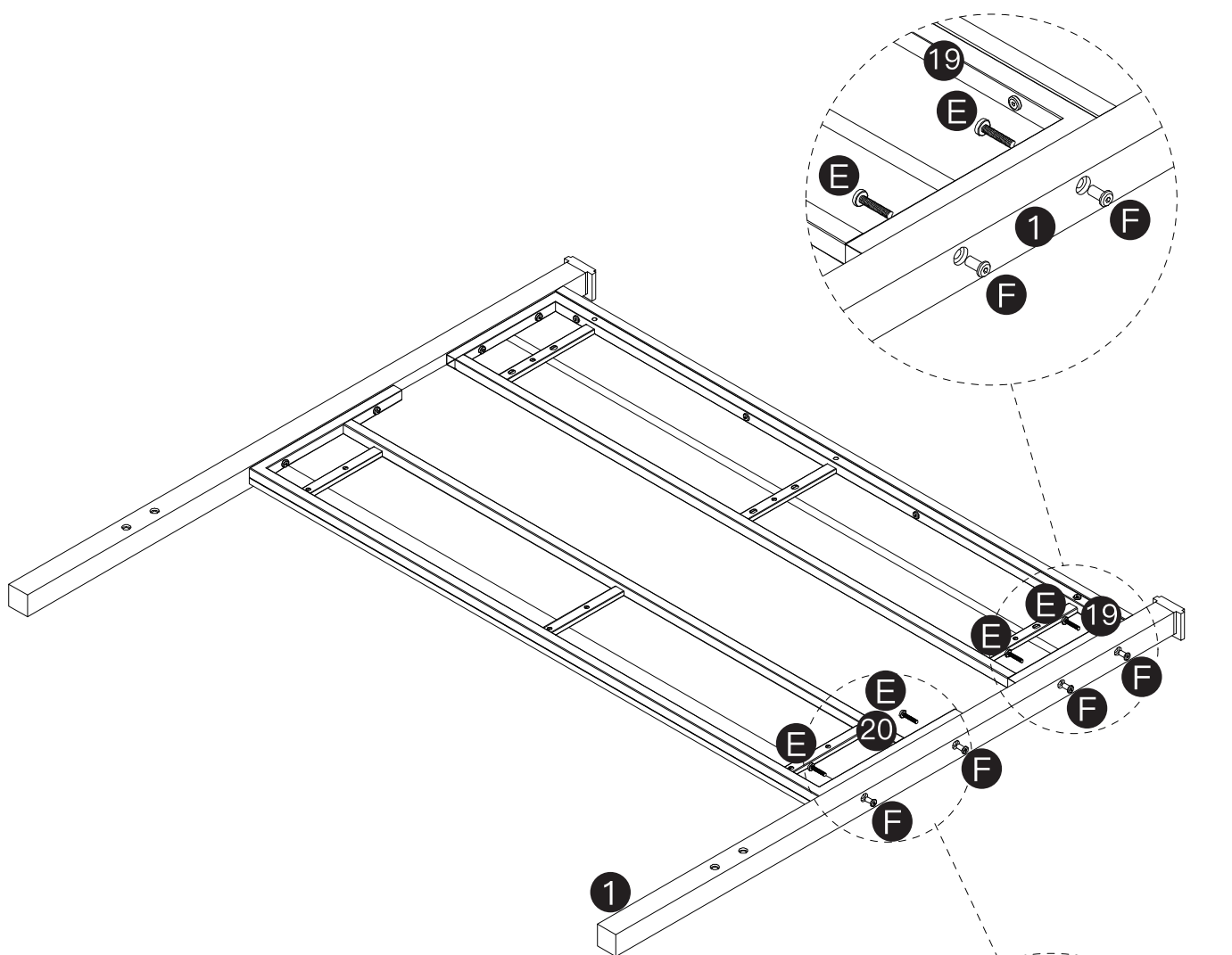


M6x55mm
x4

F



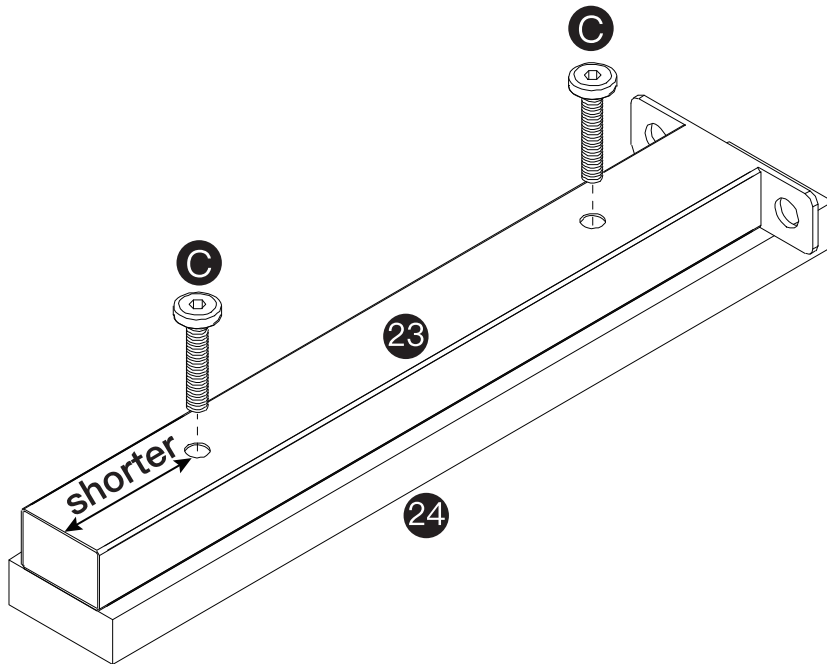
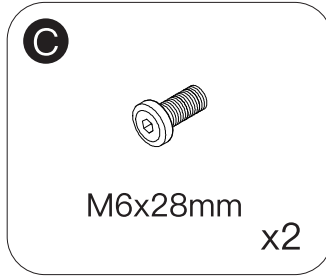
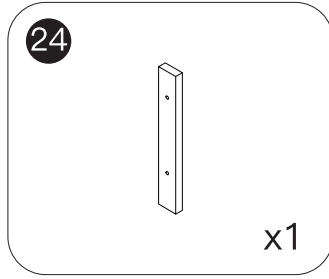
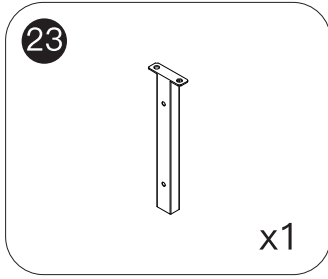
M6x15mm
x4



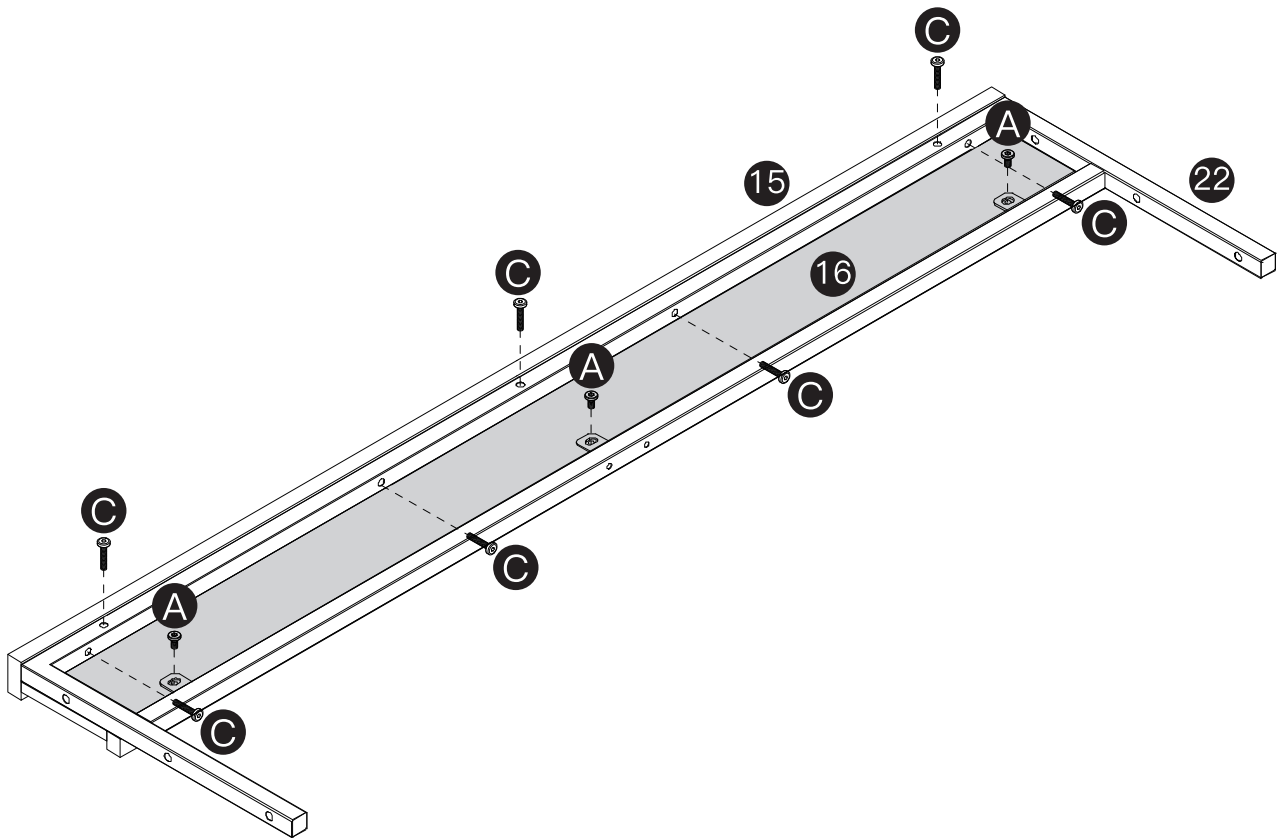
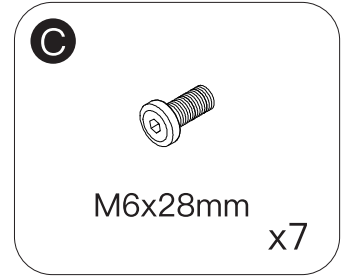
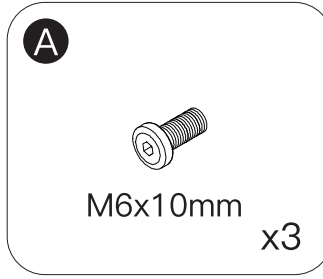
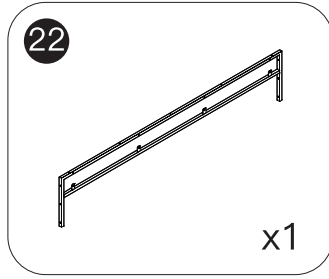
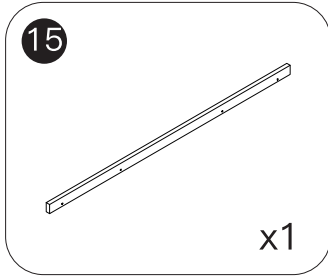
! NOTICE

Please Secure part **E** first with hex screwdriver, then lock it with part **F** .

STEP 10



STEP 11

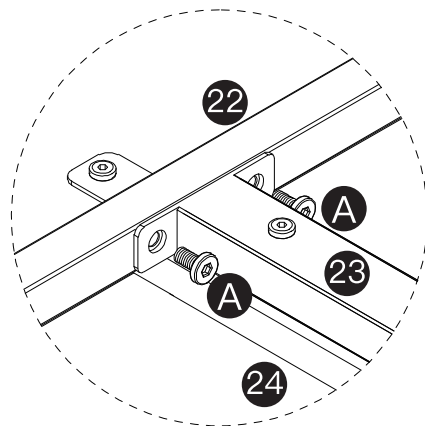
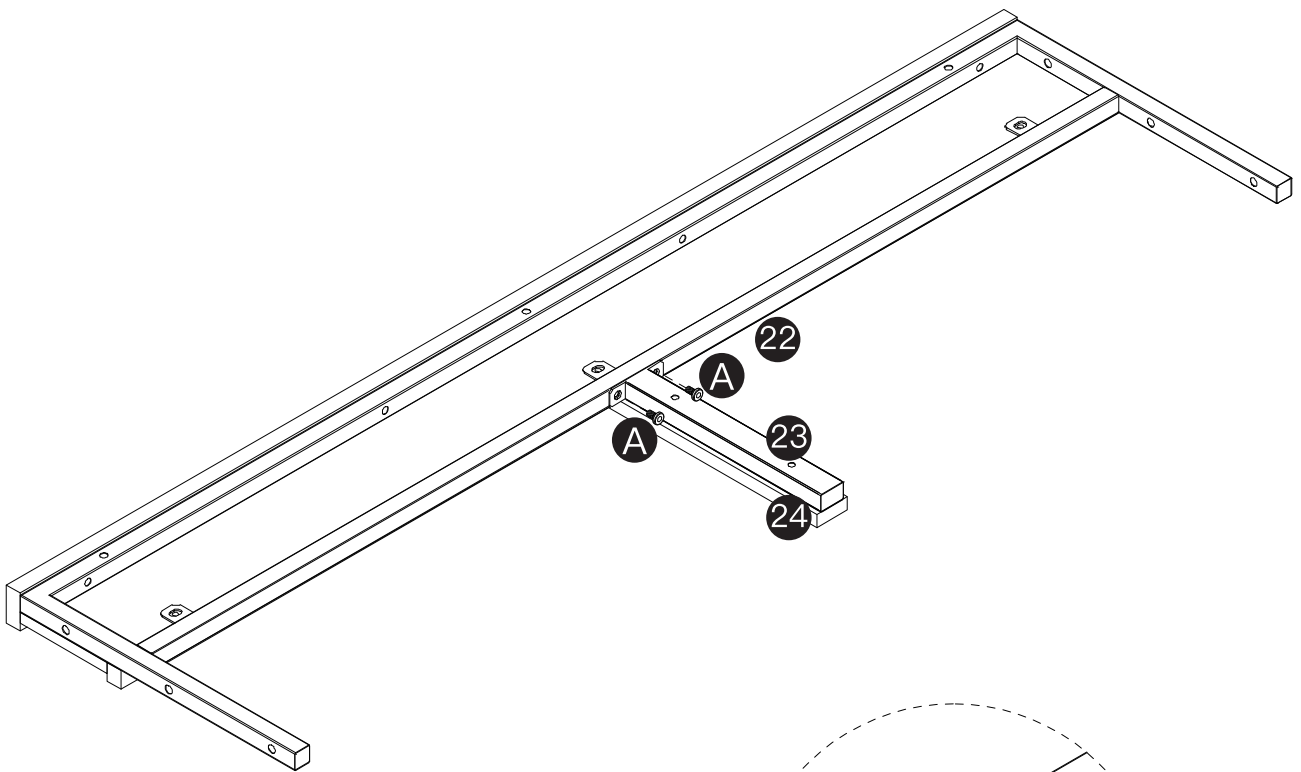


STEP 12

A

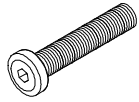


M6x10mm
x2



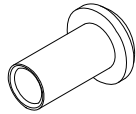
STEP 13

E

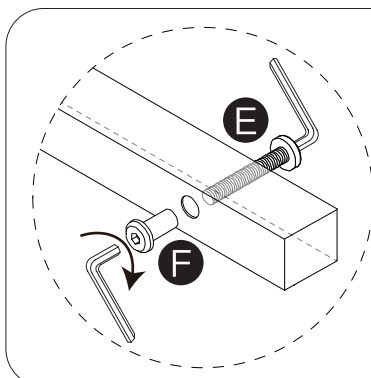
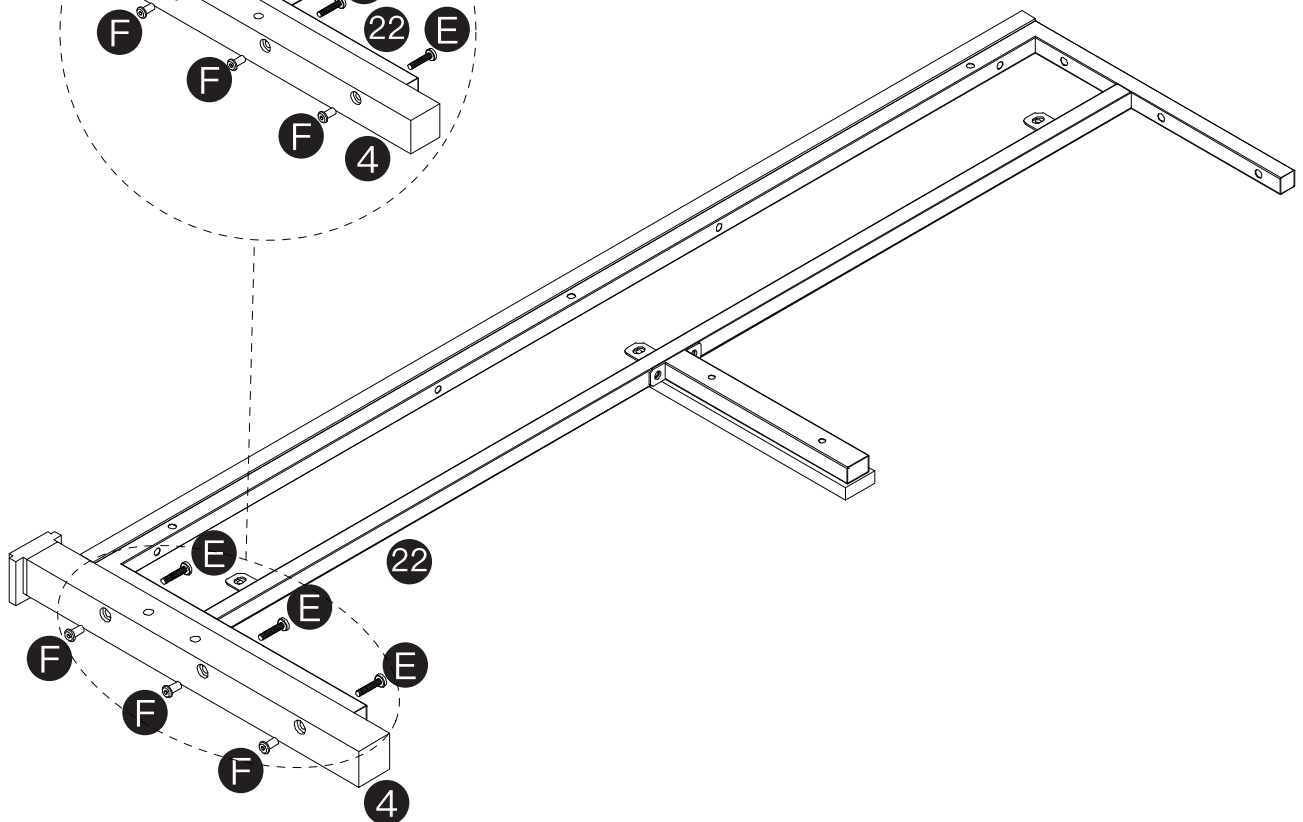
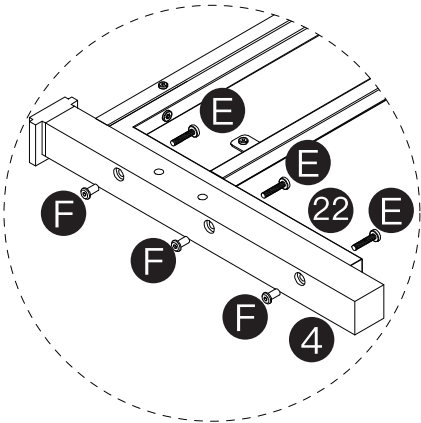


M6x55mm
x3

F



M6x15mm
x3

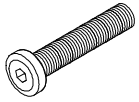


! NOTICE

Please Secure part **E** first with hex screwdriver, then lock it with part **F**.

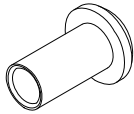
STEP 14

E

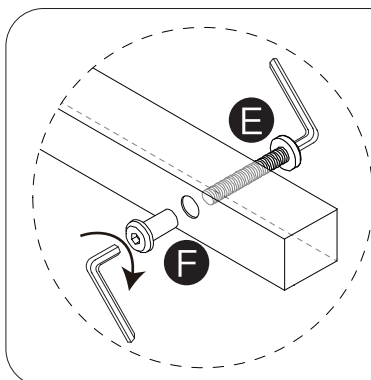
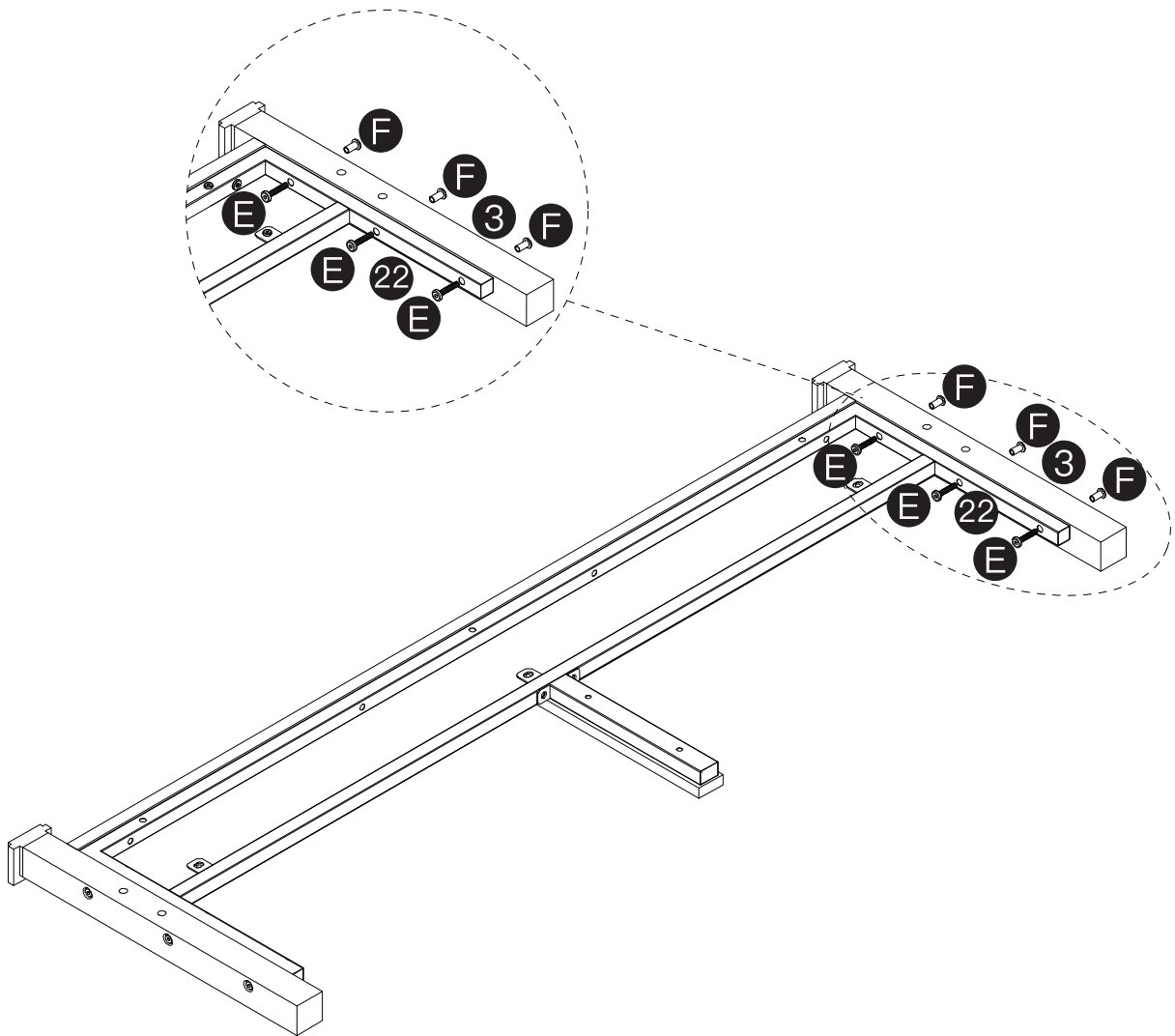


M6x55mm
x3

F



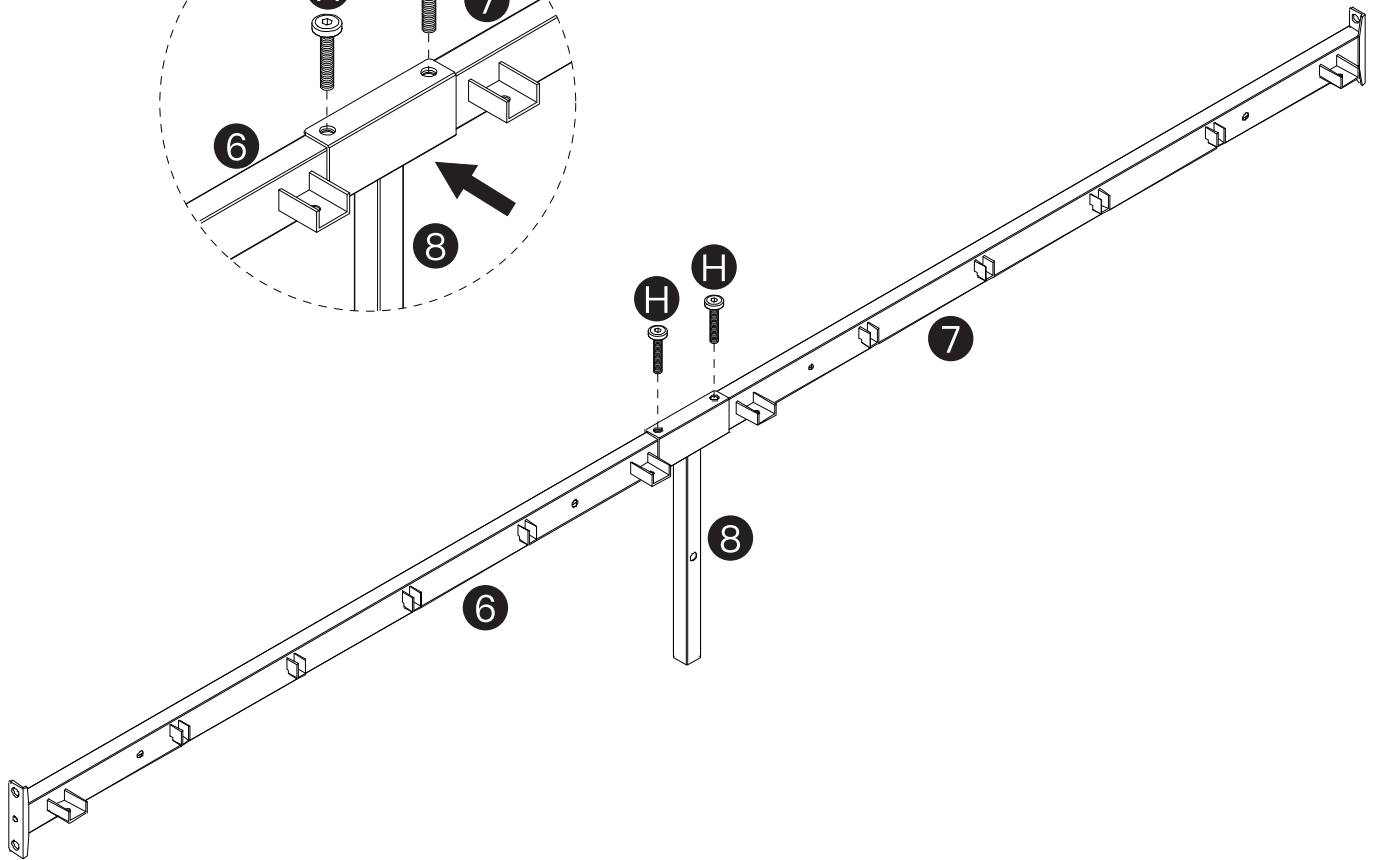
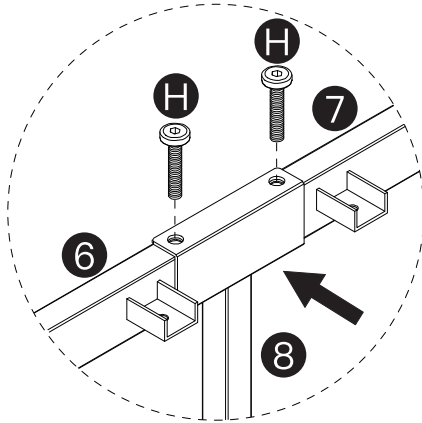
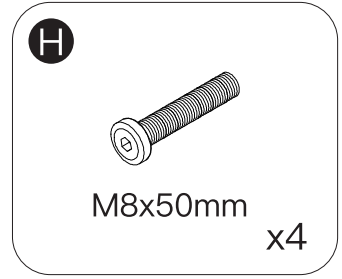
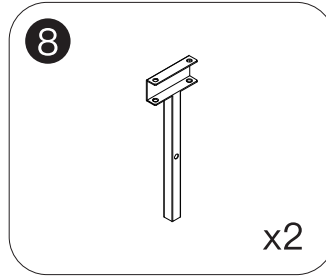
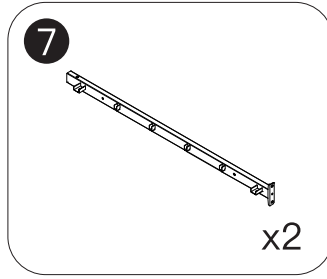
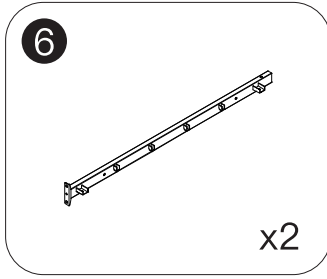
M6x15mm
x3



! NOTICE

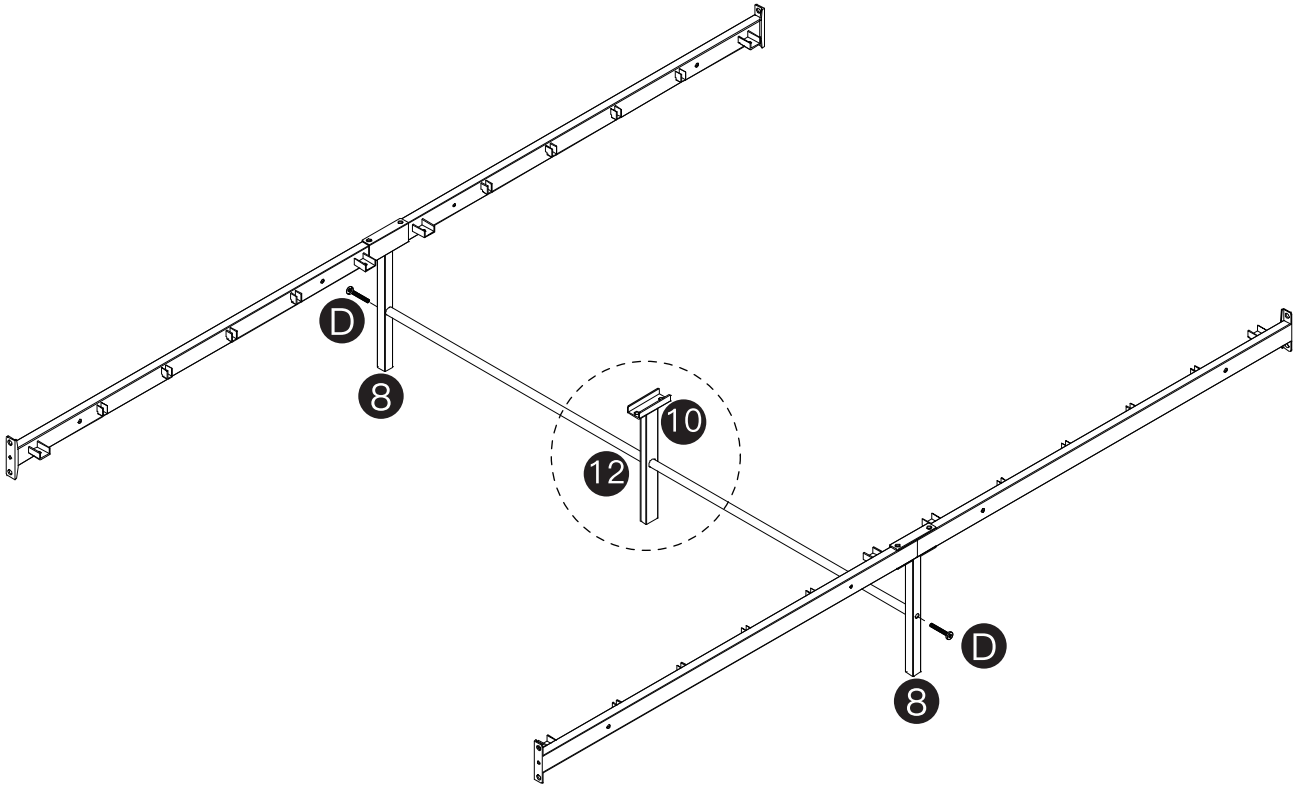
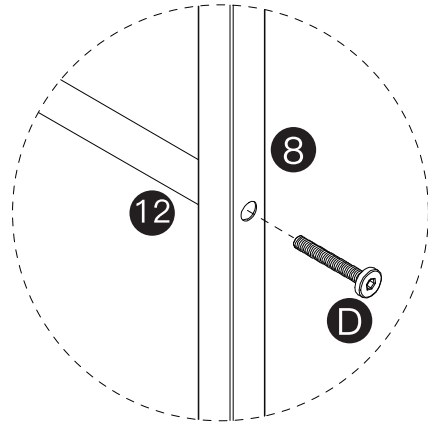
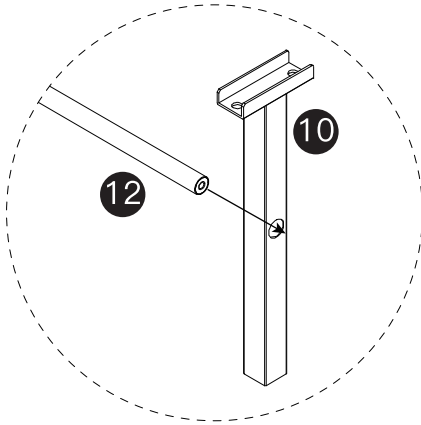
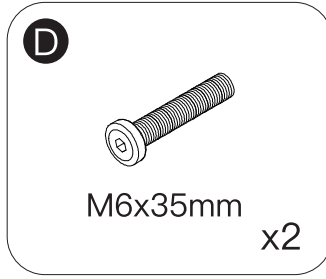
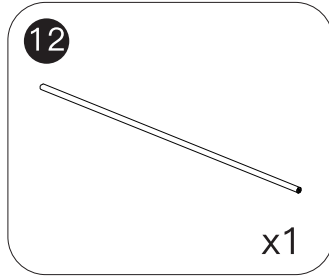
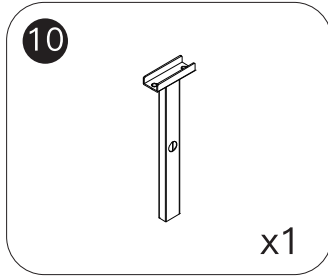
Please Secure part **E** first with hex screwdriver, then lock it with part **F**.

STEP 15



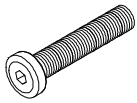
x2

STEP 16



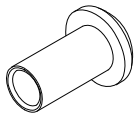
STEP 17

G

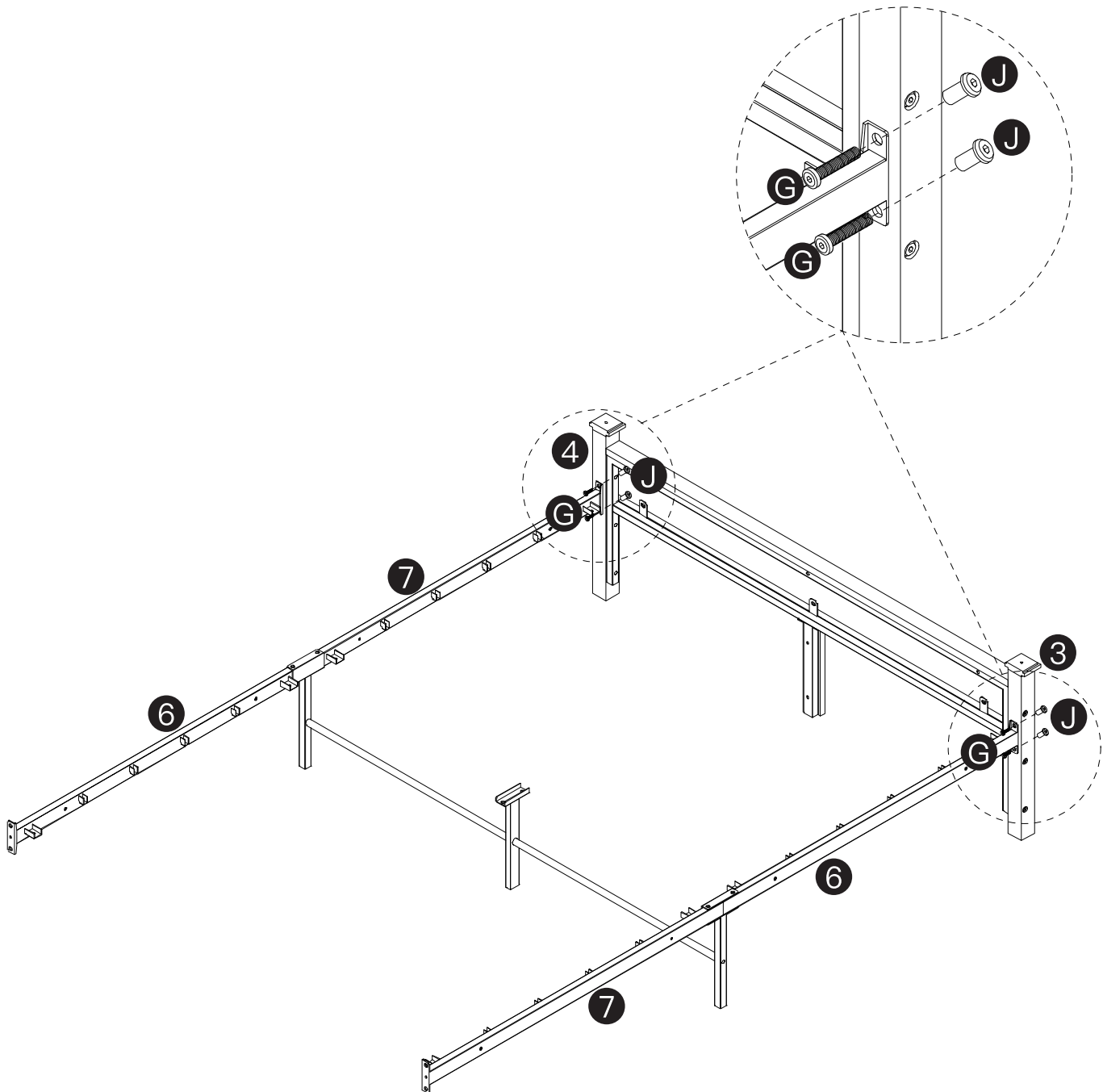


M8x35mm
x4

J

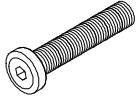


M8x15mm
x4



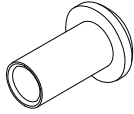
STEP 18

G

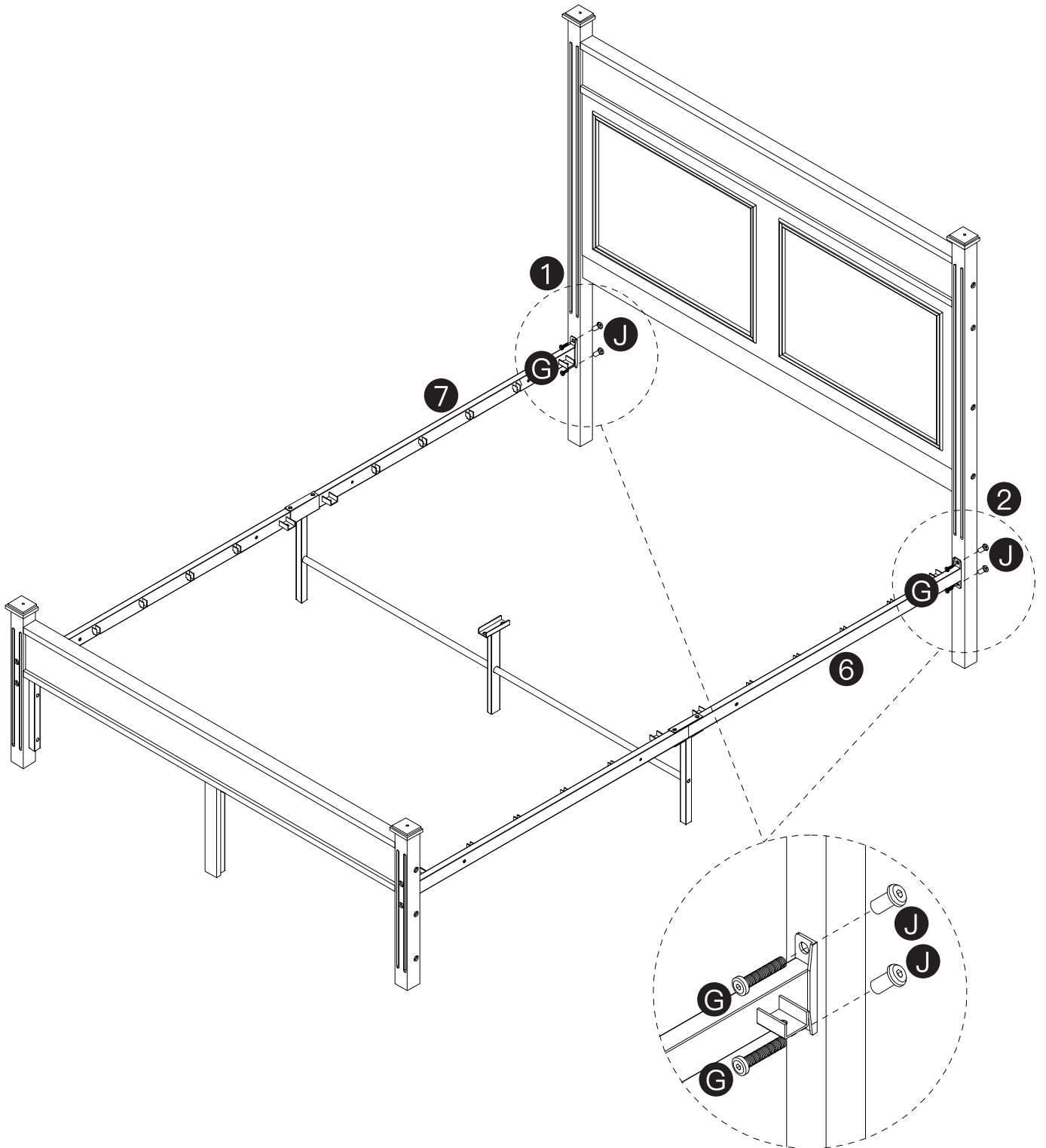


M8x35mm
x4

J



M8x15mm
x4



STEP 19

9



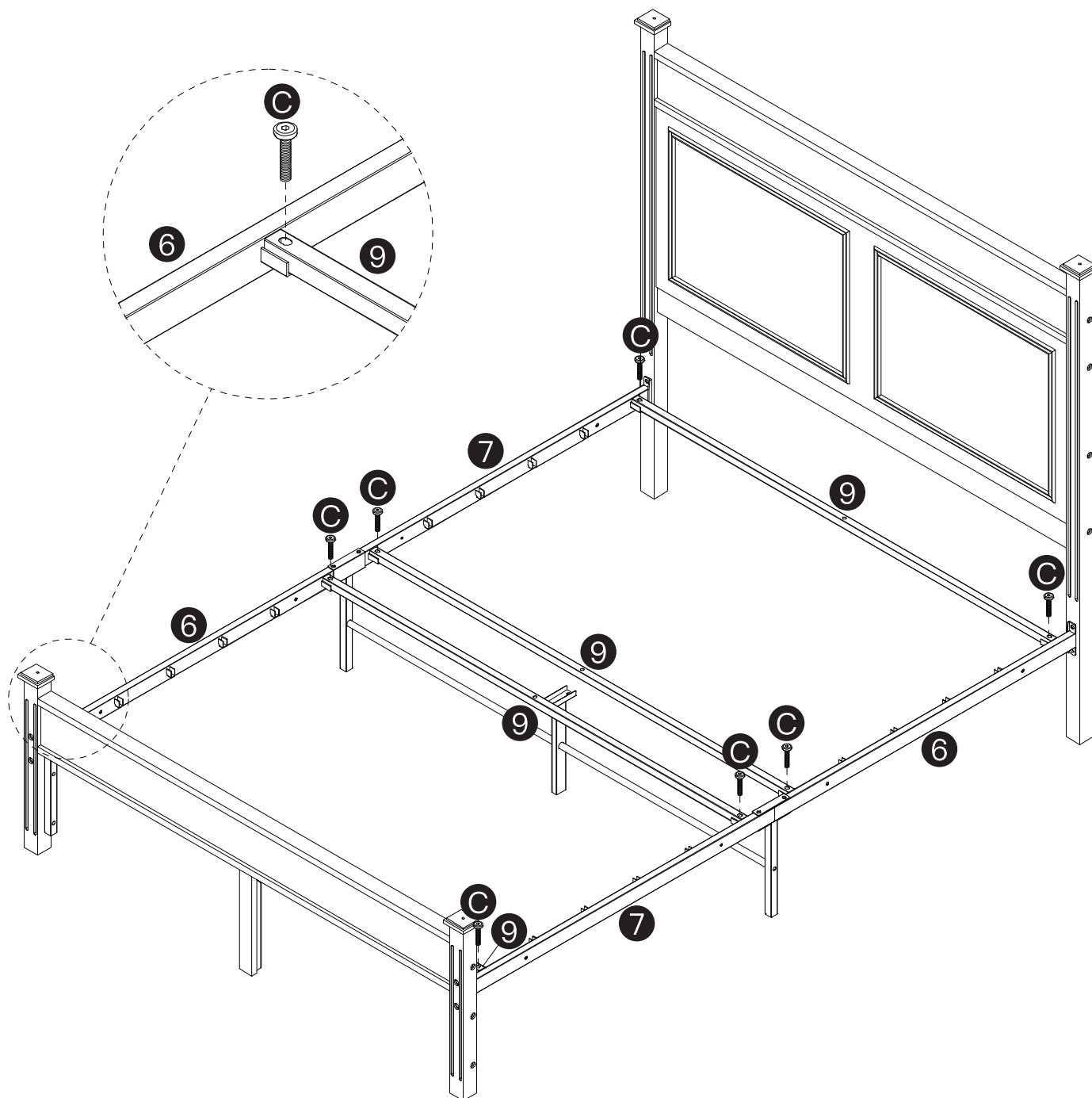
x4

C

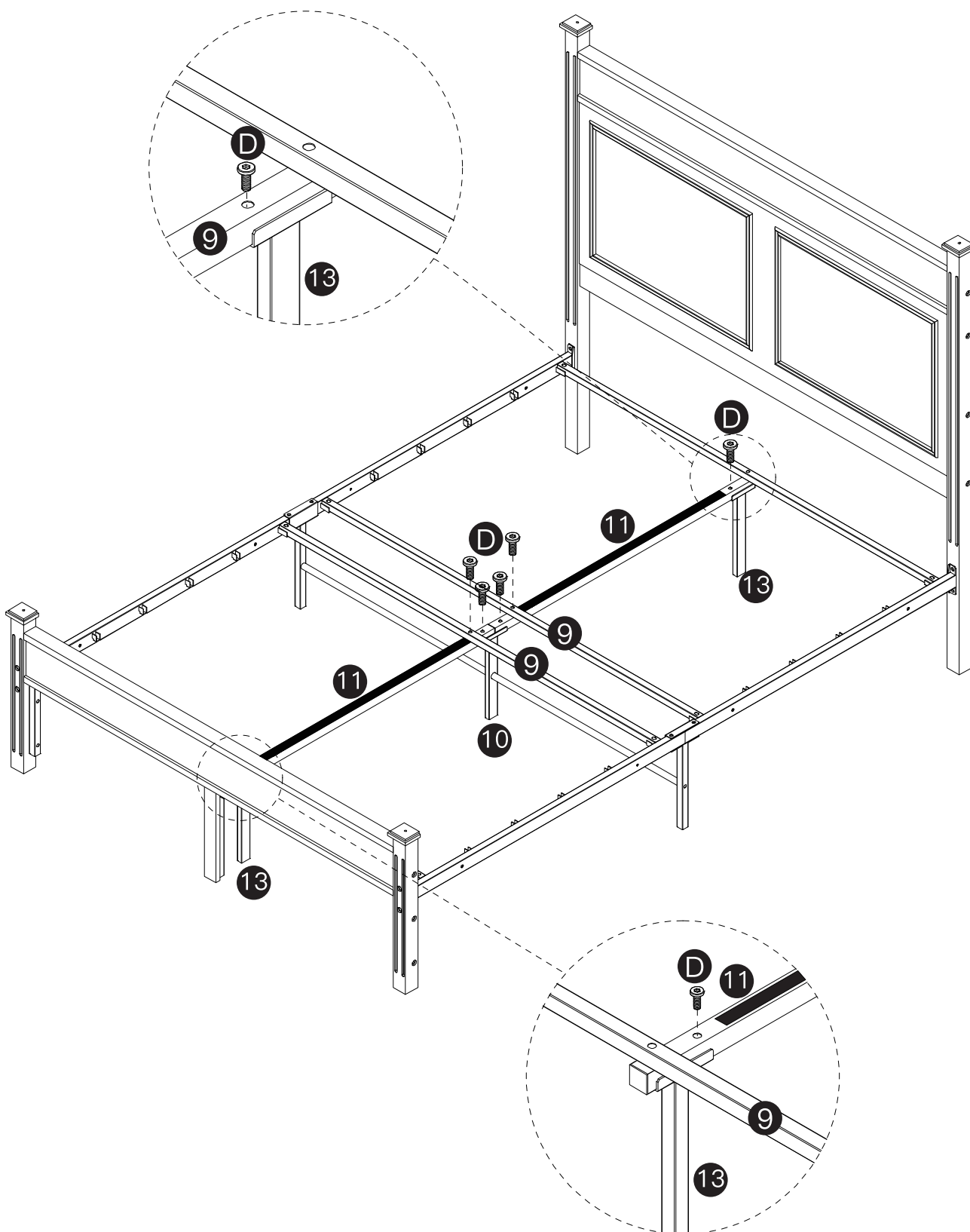
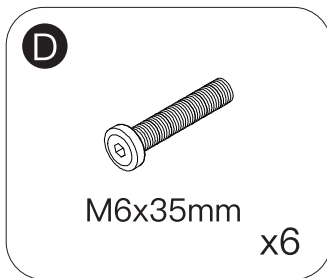
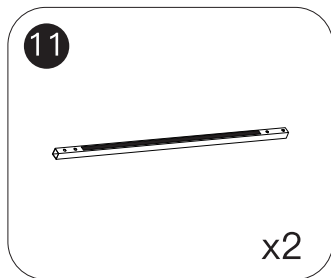
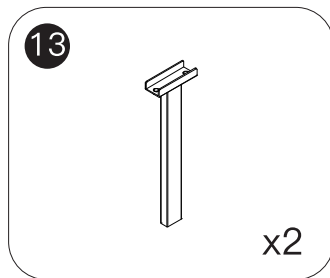


M6x28mm

x8

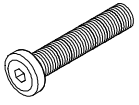


STEP 20

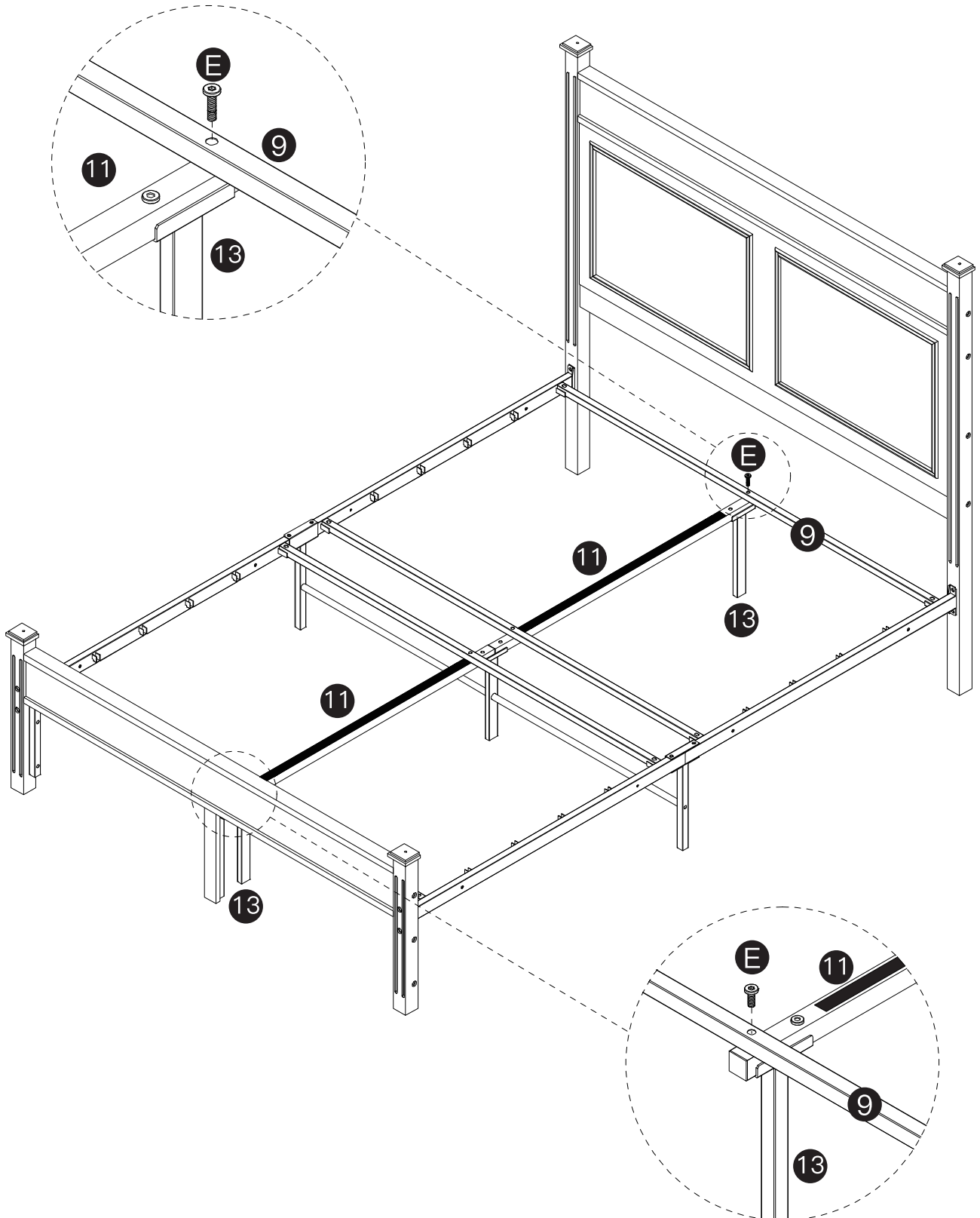


STEP 21

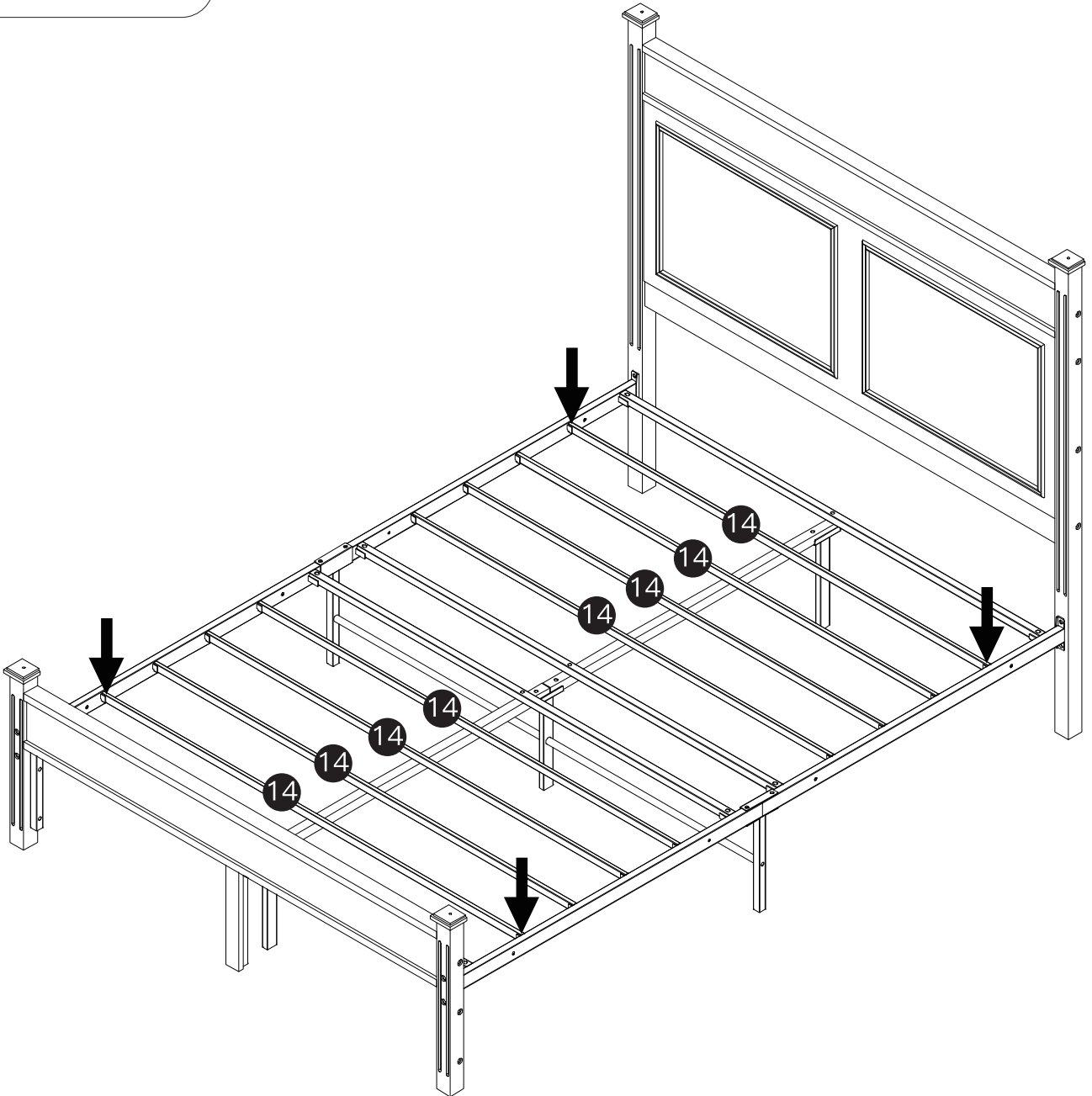
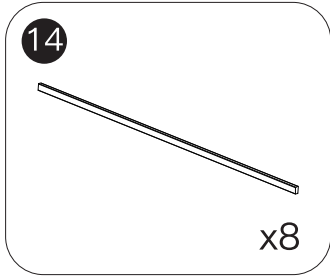
E



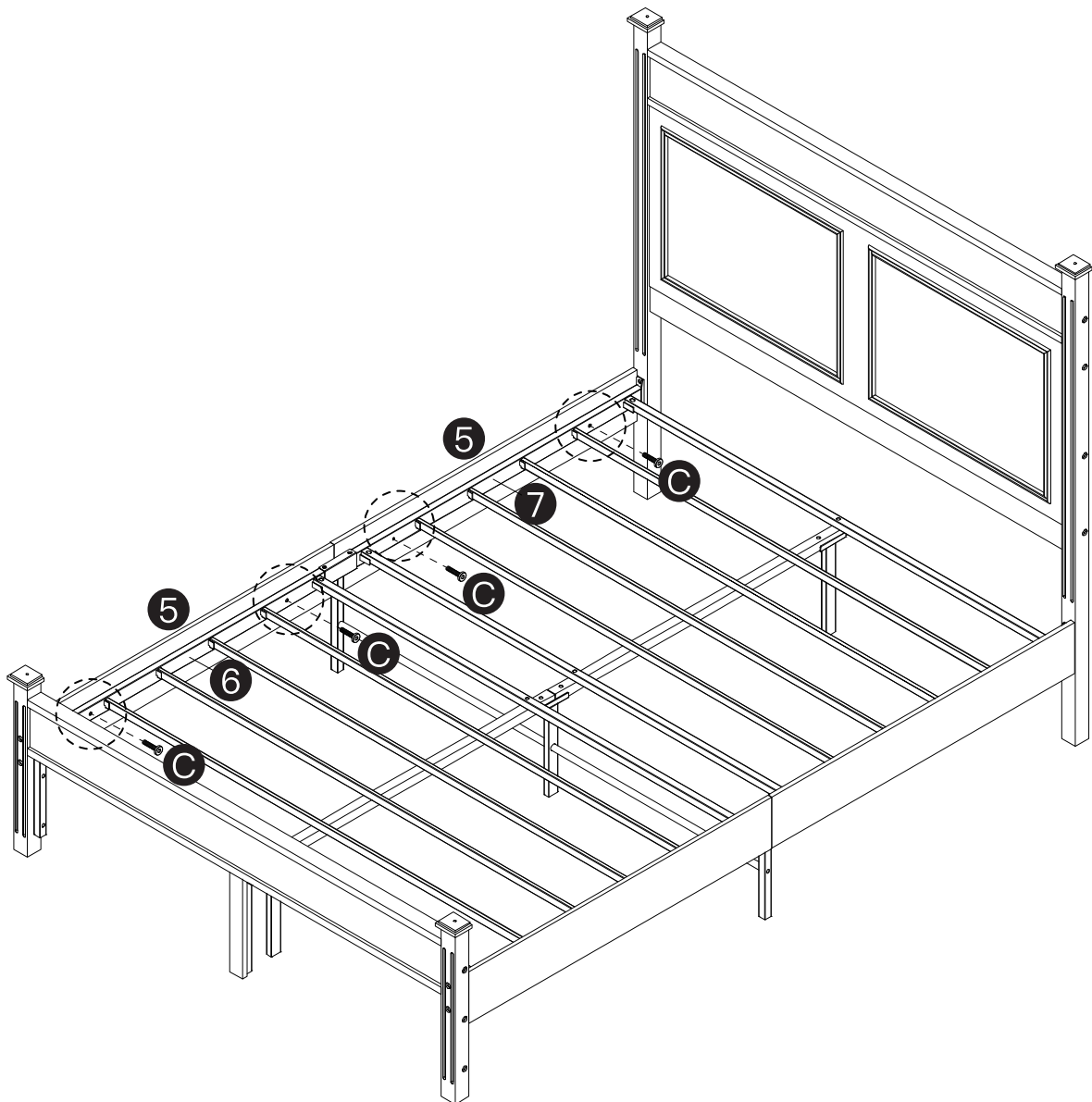
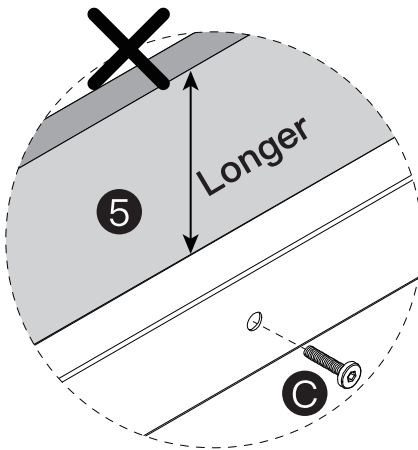
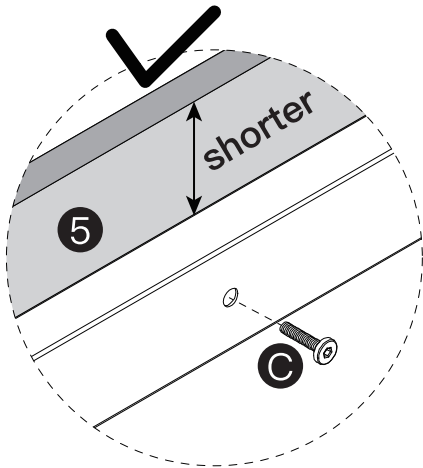
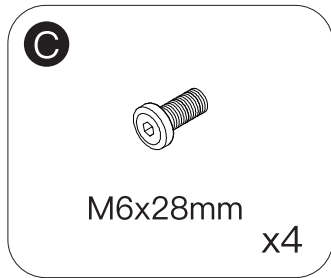
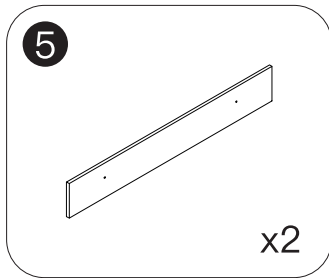
M6x55mm
x2



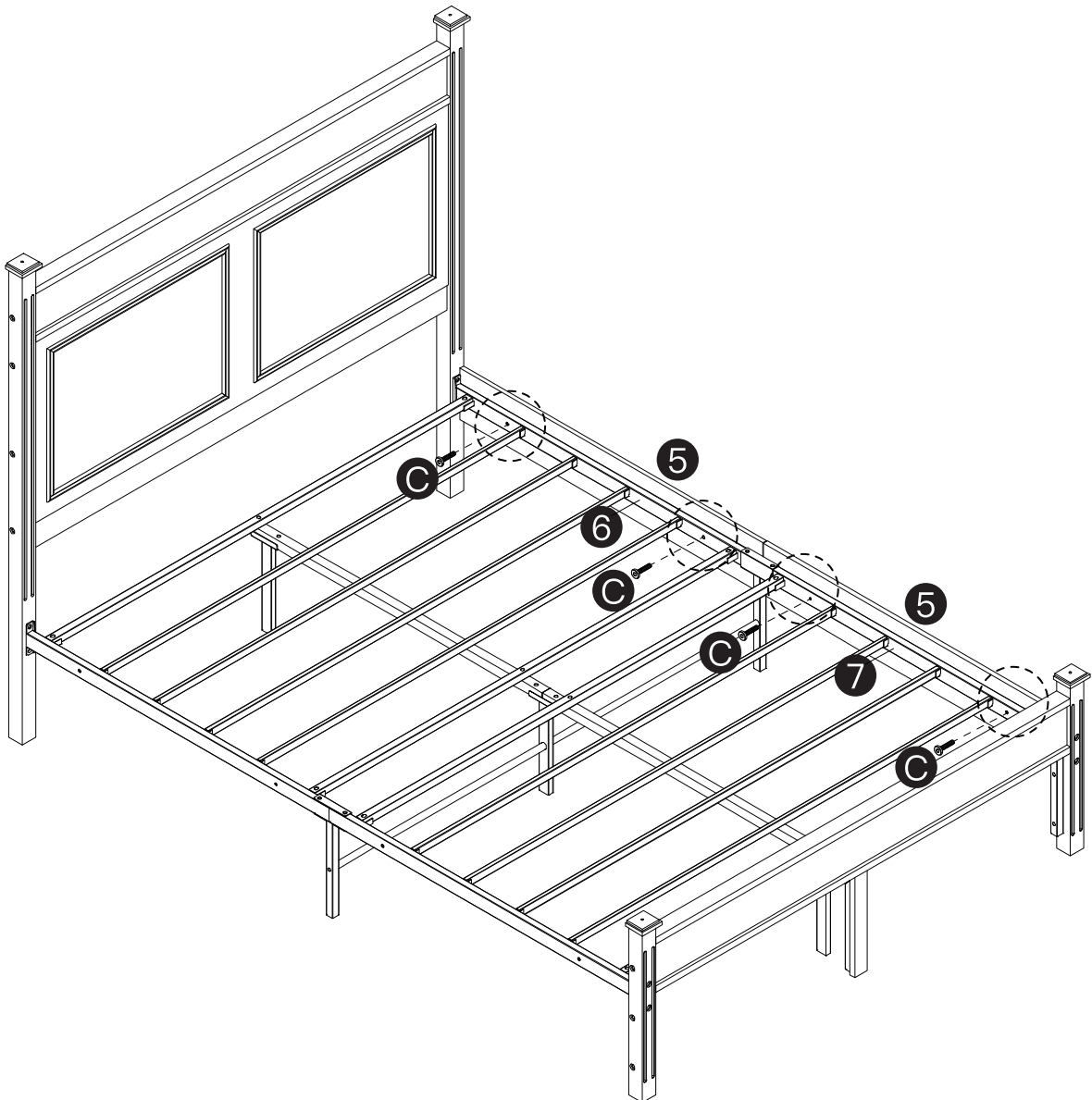
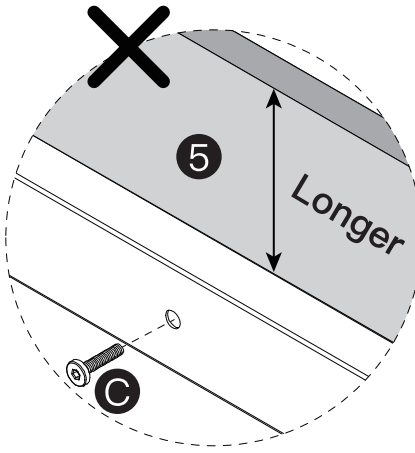
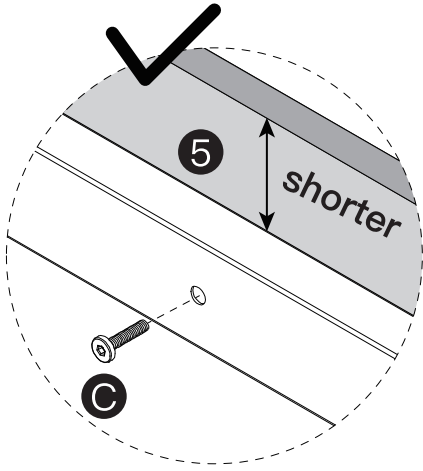
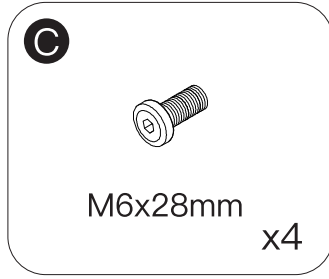
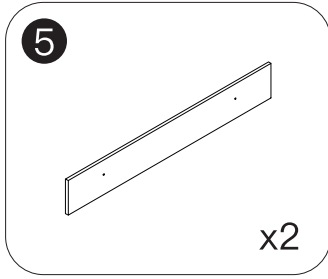
STEP 22



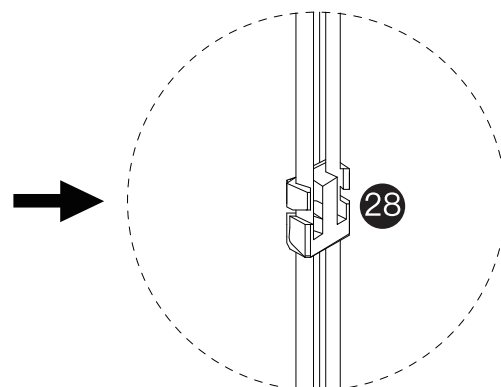
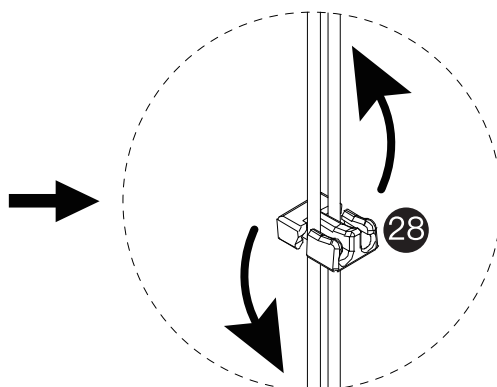
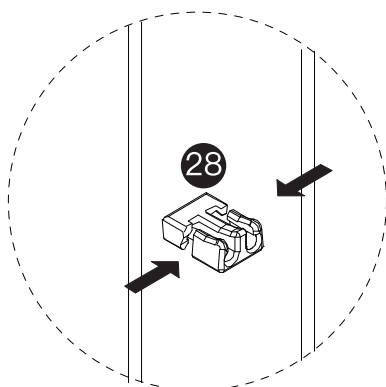
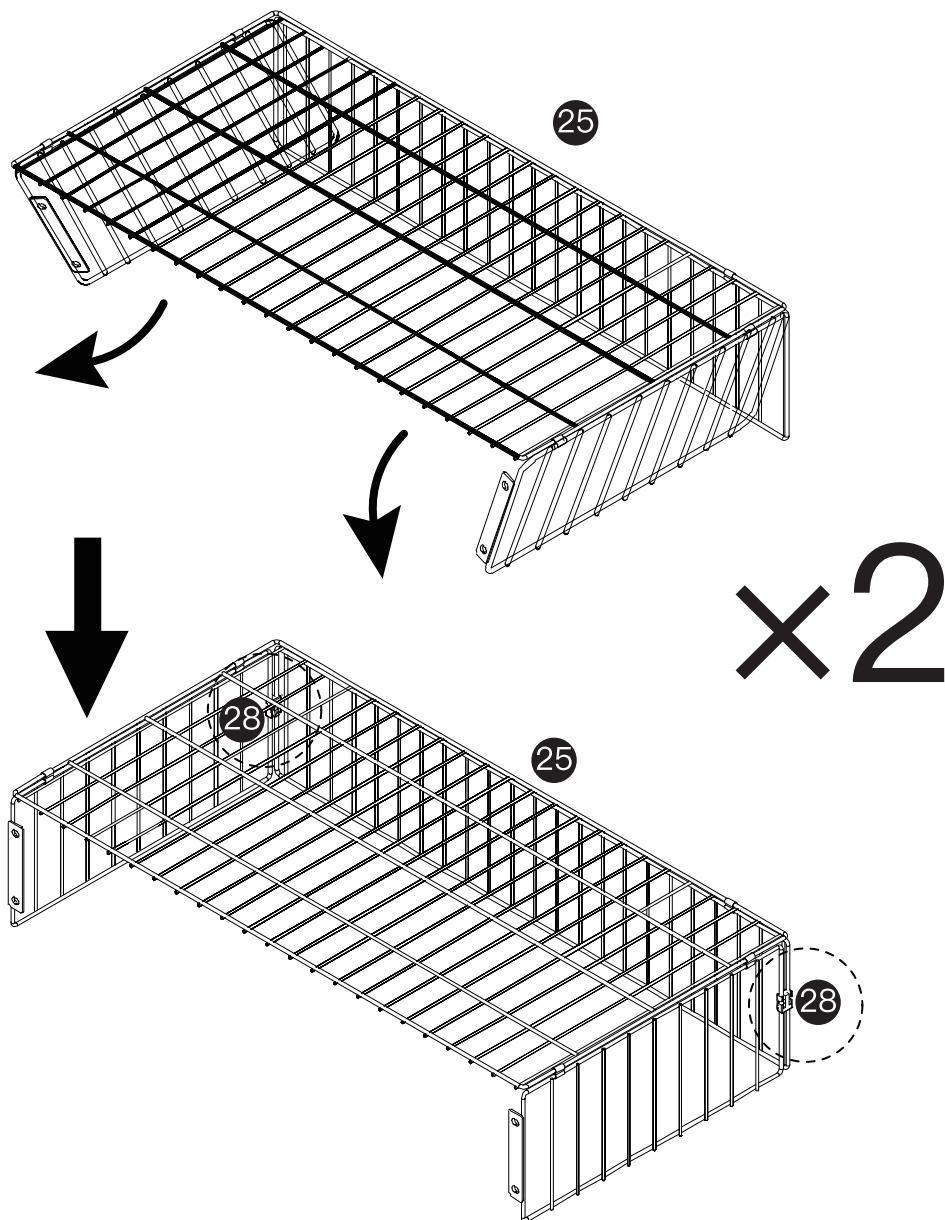
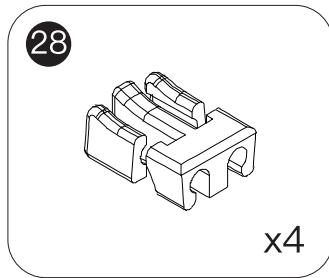
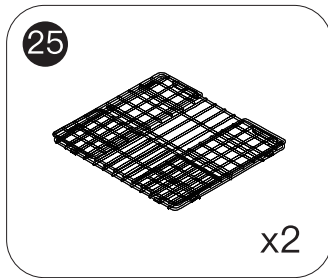
STEP 23



STEP 24

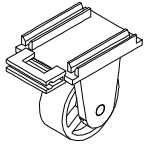


STEP 25

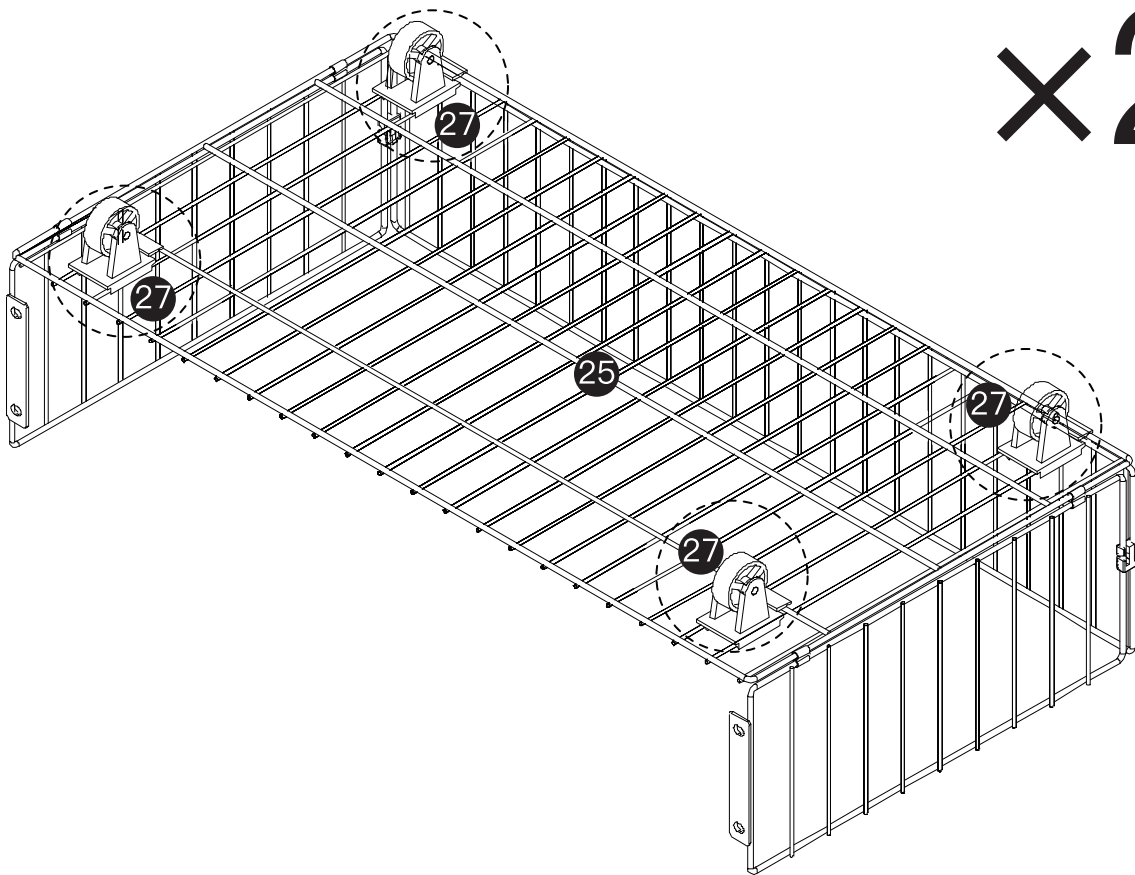


STEP 26

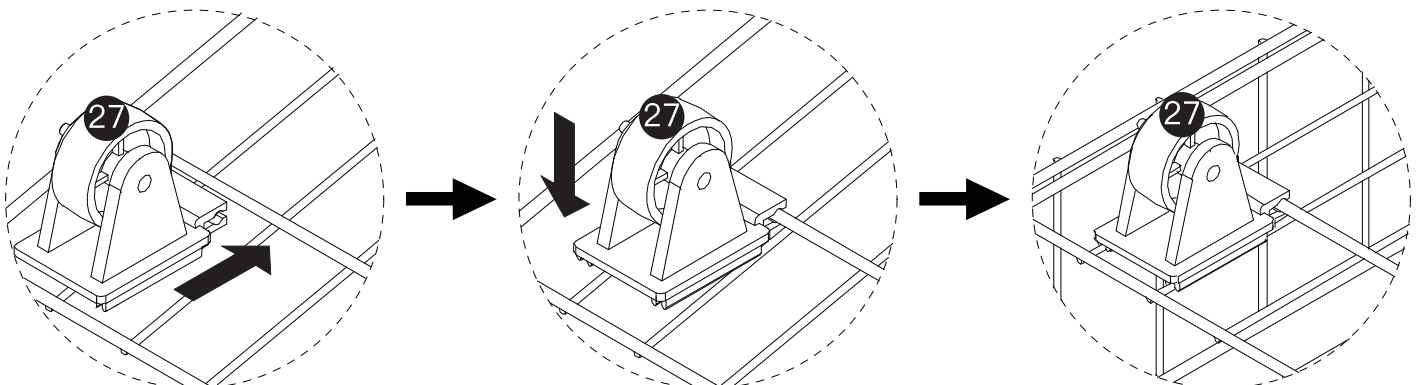
27



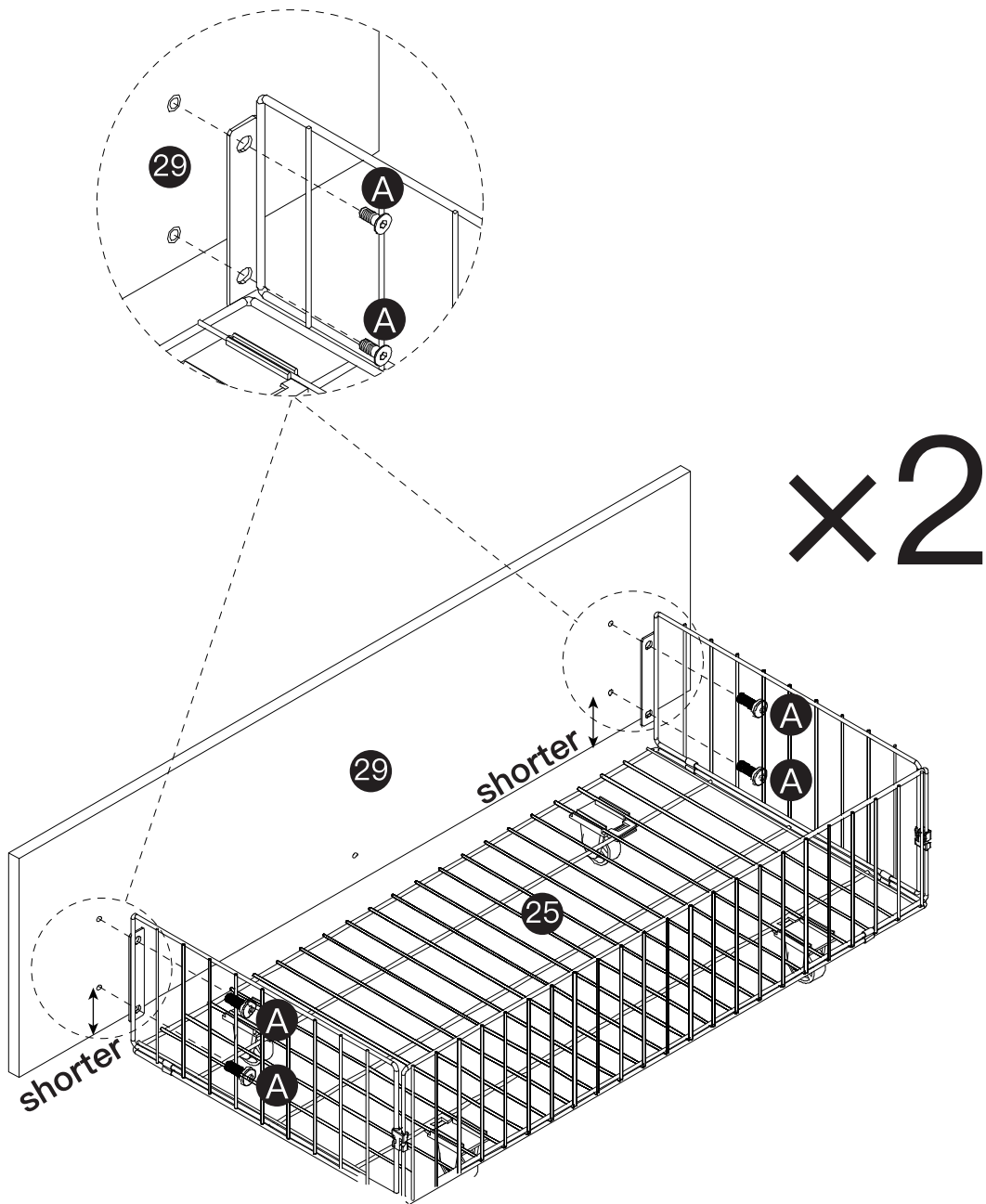
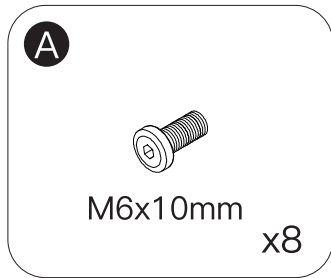
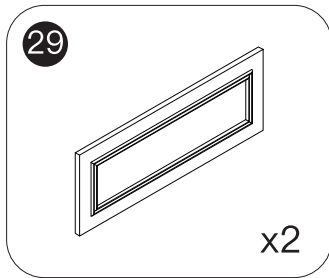
x8



x2

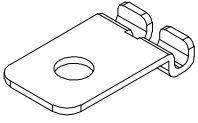


STEP 27



STEP 28

26



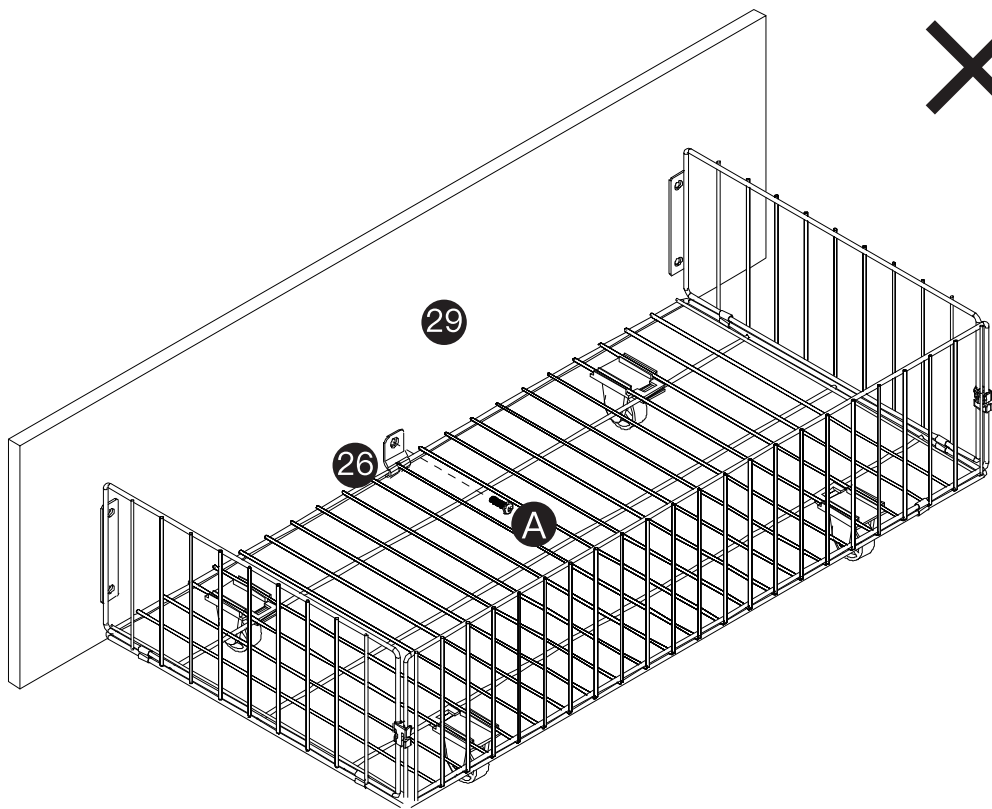
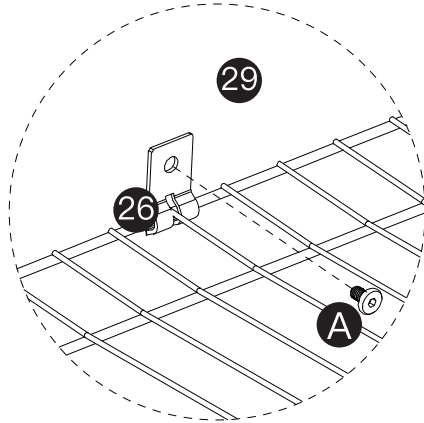
x2

A



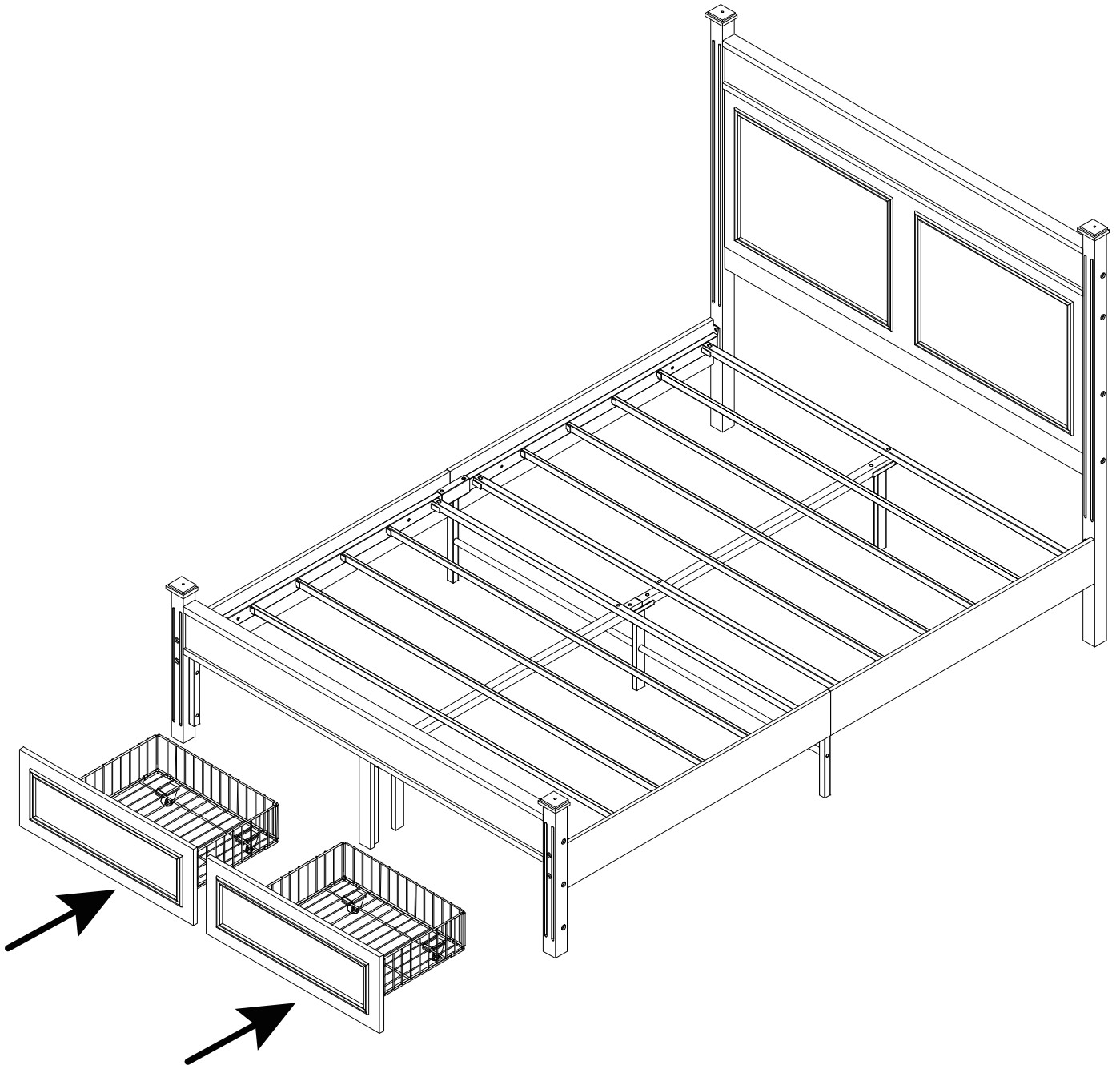
M6x10mm

x2

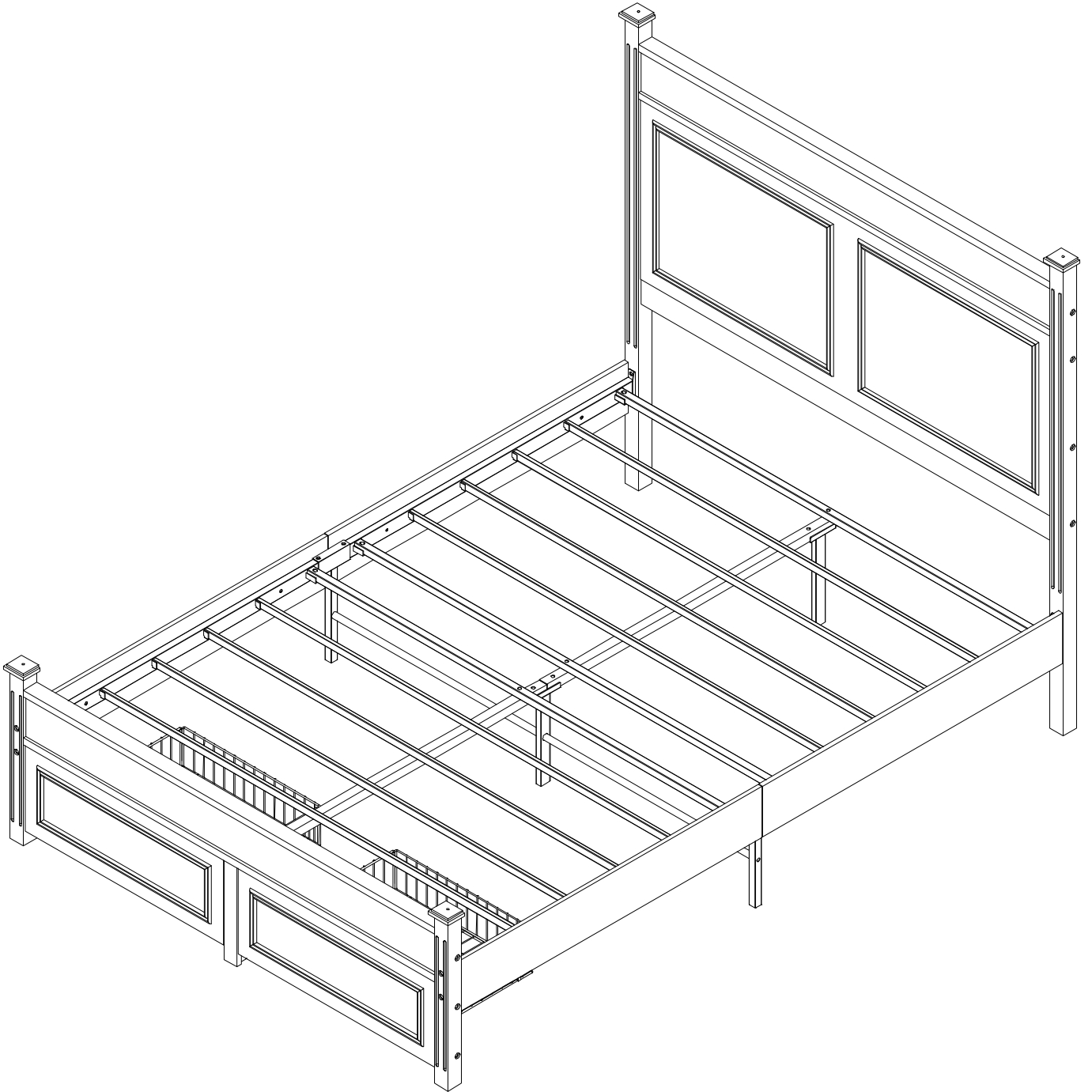


x2

STEP 29



STEP 30



AFTERSALE SERVICE

Dear customer,

Thank you so much for purchasing the product from us, we really appreciate your support.

We are aimed to provide the best shopping experience to our customers. We also want to build a mutually beneficial relationship with our customers, and step further to make our brand both reliable, responsible and recommendable.

We hope that our products could meet your needs and expectations, please consider us again if you need more products for your home and kitchen.

The package would be out of our control during shipping, please contact us through your purchasing channel directly if there is anything wrong with the box or contents. We are always here offering you our service.

We will reply your messages within 24 hours, please kindly wait for the response from our professional service team.

Your comfort and contentment are of utmost importance.

Best Regards,

Customer Care Specialist