

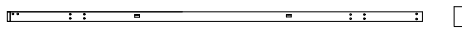

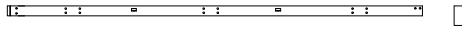
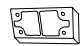
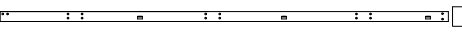




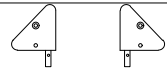

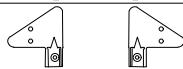







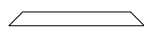

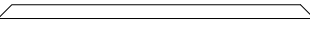
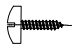
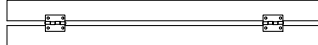

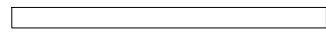




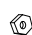







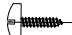




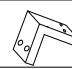

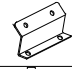

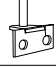

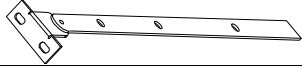

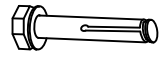

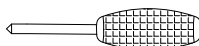
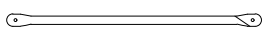
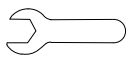
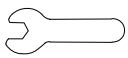

Greenhouse 6 X10FT Manual


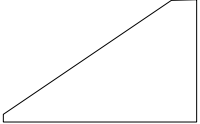

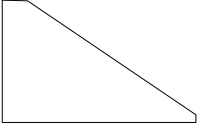

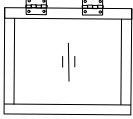




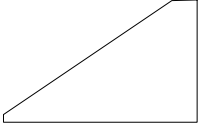
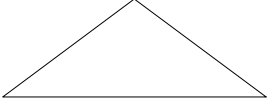
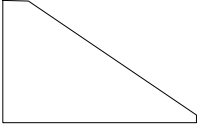
Dear customer,

Thank you for your support. If you have any questions or concerns, please don't hesitate to contact us. Our customer service team is always here to help and assist you in any way we can. Thank you again for choosing our greenhouse.

Phone: 3022415039/6605538327
Email: benassservice@gmail.com
Please contact us by phone or email.

After-sales phone service hours:
US Central Time: 19:00-23:00
Seattle time: 17:00-21:00
US Eastern Time: 20:00-00:00
Toronto time: 20:00-00:00
Germany time: 8:00-11:00
After-sales mailbox service time: 7*24 hours

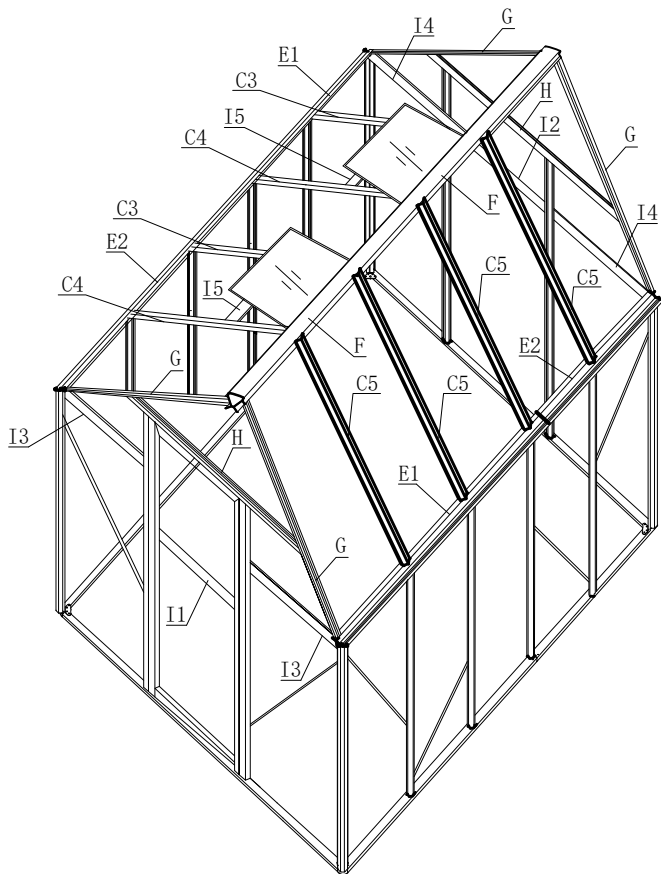
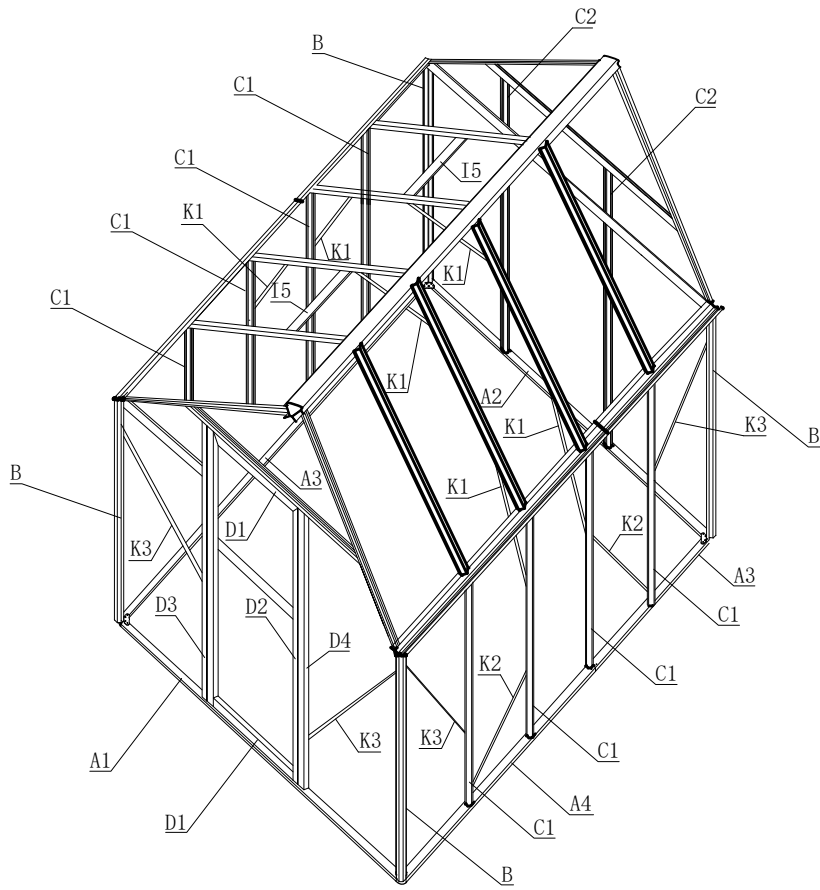
A1		1	Z1		4
A2		1	Z2		2
A3		2	Z3		1
A4		2	Z4		30
B		4	Z5		1
C1		8	Z6		1
C2		2	Z7		2
C3		2	Z8		2
C4		2	Z9		2
C5		4			
D1		2	W1	 M5*8	28
D2		1	W2	 M5*16	136
D3		1	W3	 M3*8	8
D4		1	W4	 M3	8
E1		2	W5	 M5*35	4
E2		2	W6	 M5	4
F		2	W7	 M4*8	8
G		4	W8	 M4.2*16	4
H		2	W9	 M5*16	8
I1		1	W10	 M5*20	16
I2		1			
I3		2	X1		4
I4		2	X2		4
I5		2	X3		2
J1		2	X4		2
J2		2	X5		2
K1		6	X6		4
K2		4	X7		1
K3		8	X8		1
			X9		1
			X10		8

Y1		13	Y8		1
Y2		8	Y9		1
Y3		2	Y10		2
Y4		1	Y11		1
Y5		1	Y12		2
Y6		1	Y13		2
Y7		1	Y14		

IMPORTANT !

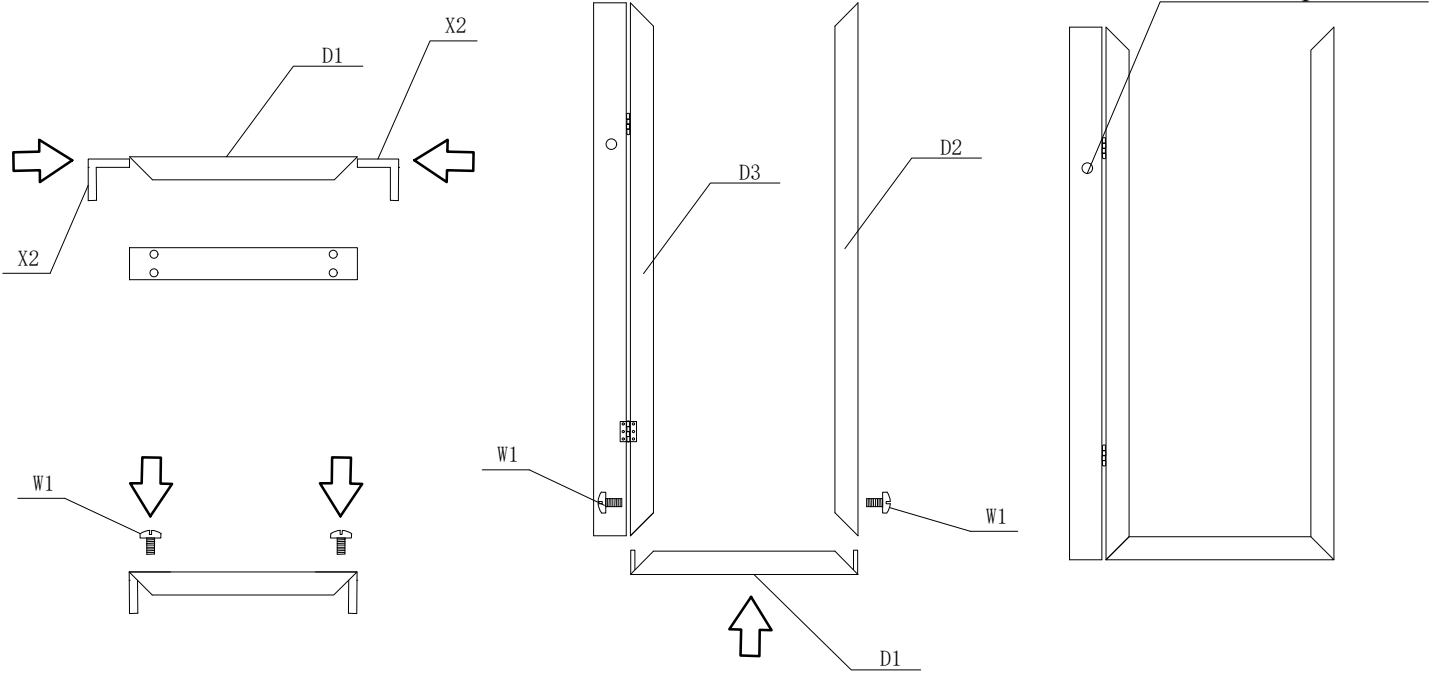
Please read all instructions carefully before assembly. It is best to familiarize yourself with the parts and collate the appropriate parts for each step.

The red lettering side of the sun panel faces inside the product and the white lettering side faces the sun.



1. Connect door frame D1 with corner part X2 and tighten the screws W1

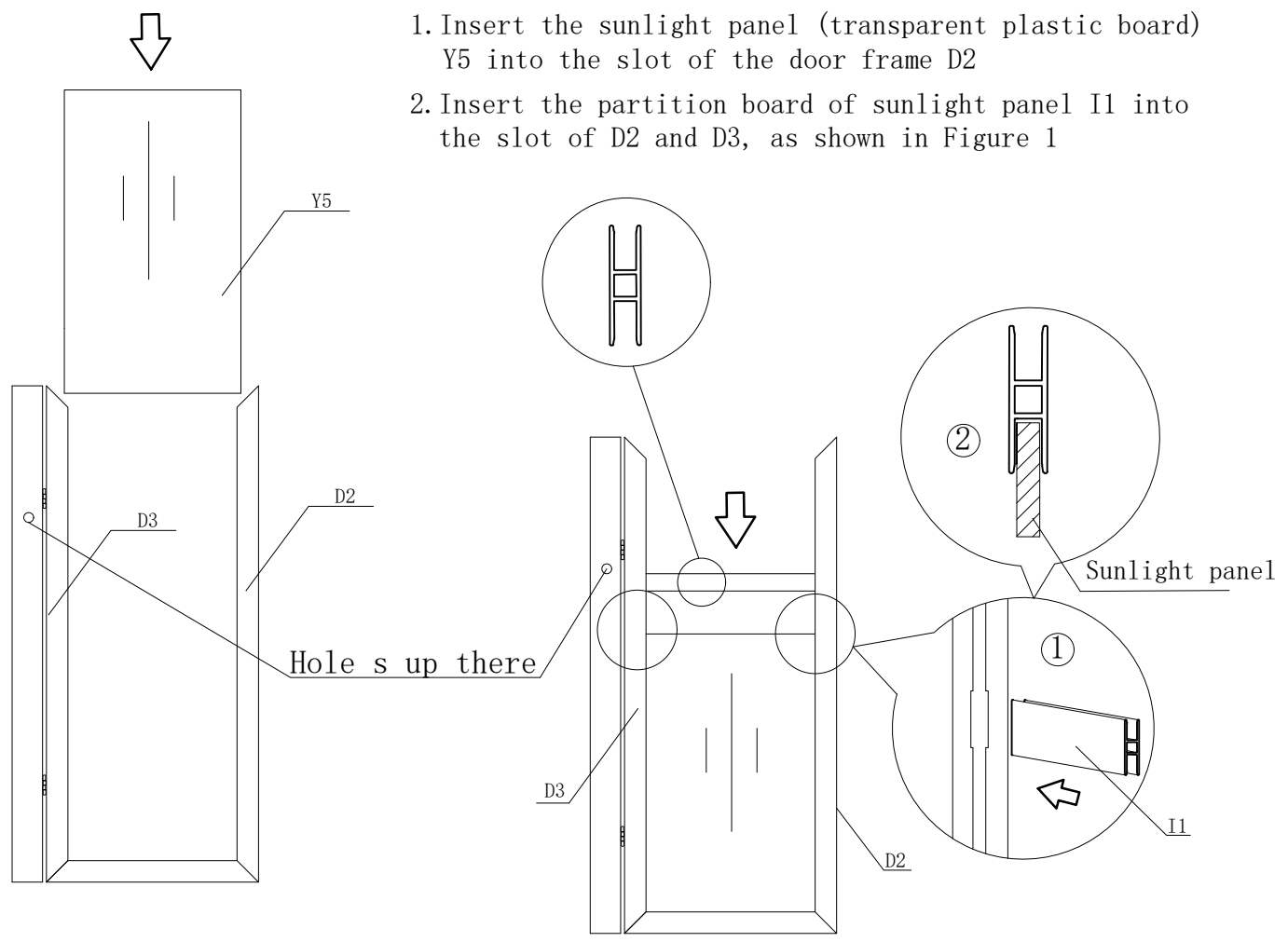
2. Connect door frame D1 with D3 and D2 and tighten screws W1



1

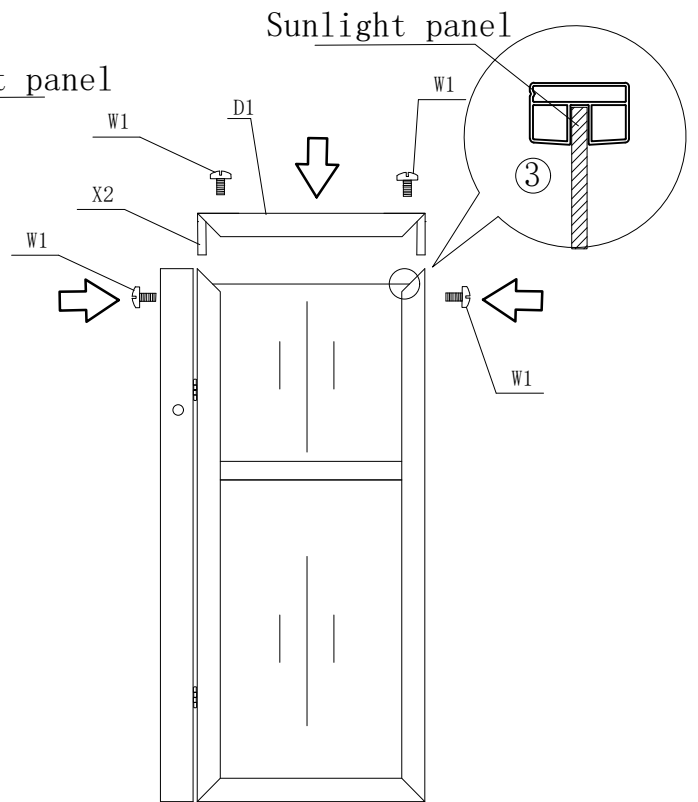
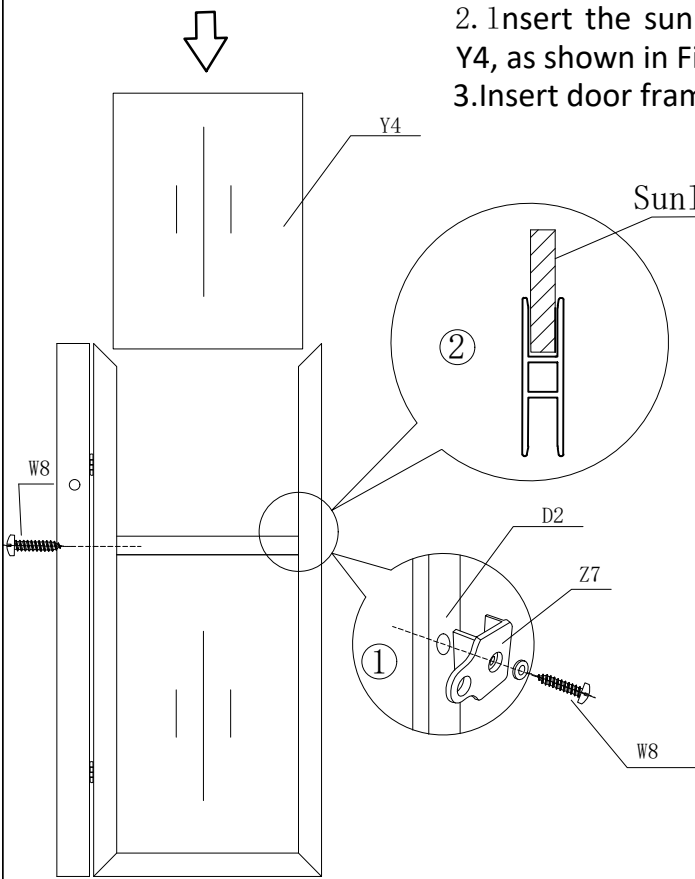
1. Insert the sunlight panel (transparent plastic board) Y5 into the slot of the door frame D2

2. Insert the partition board of sunlight panel I1 into the slot of D2 and D3, as shown in Figure 1



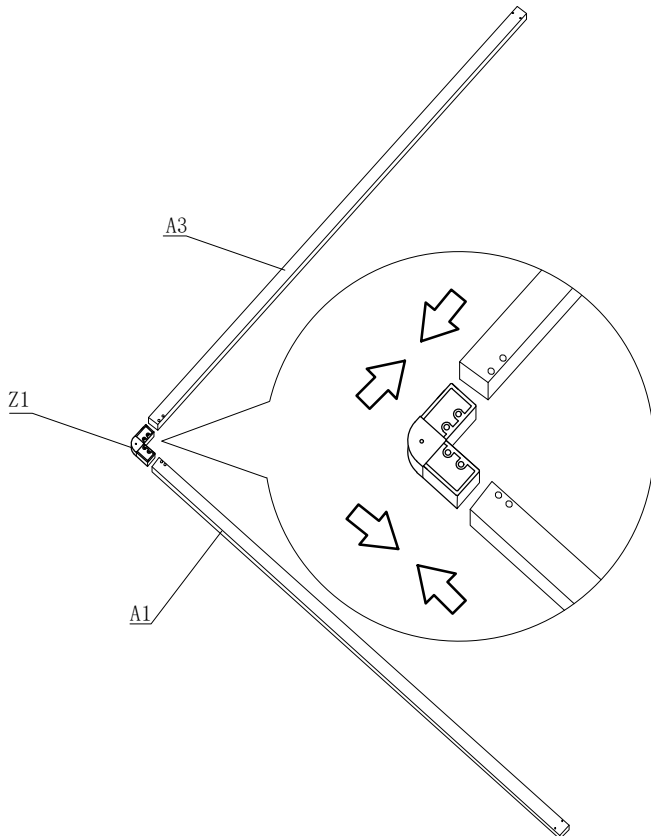
2

1. Press the door lock Z7 into the door frame hole, tighten the tapping screw W8, as shown in Figure 1
2. Insert the sunlight panel (transparent plastic board) Y4, as shown in Figure 2
3. Insert door frame D1 and tighten screw W1, as shown in Figure 3

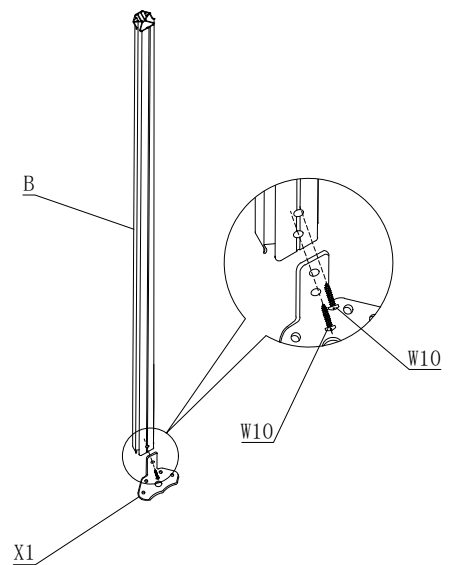


3

Connect bottom beams A1 and A3 to corner part Z1

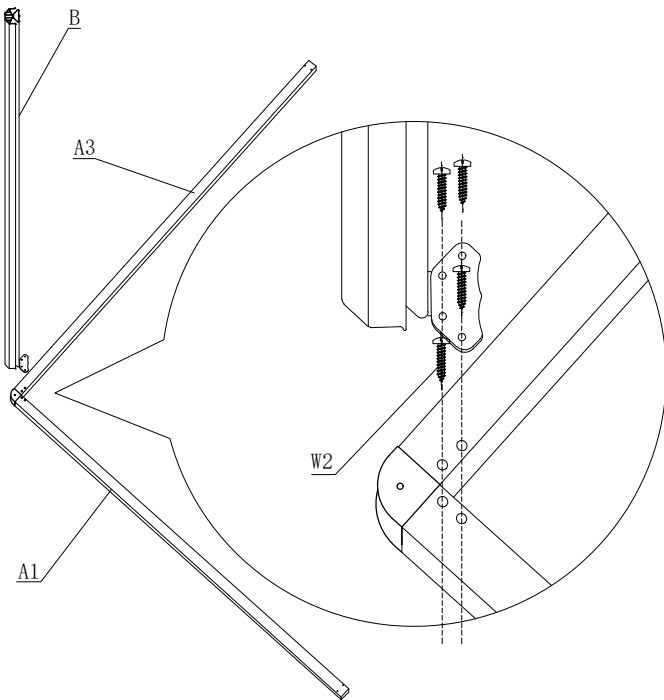


Connect corner pillar B to corner part X1

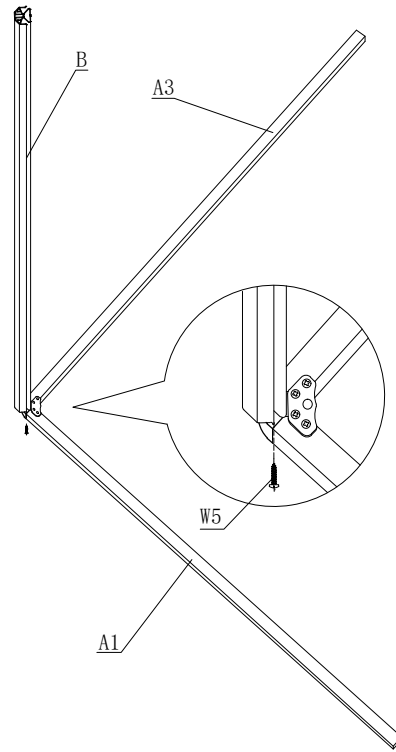


4

Connect corner pillar to bottom beam

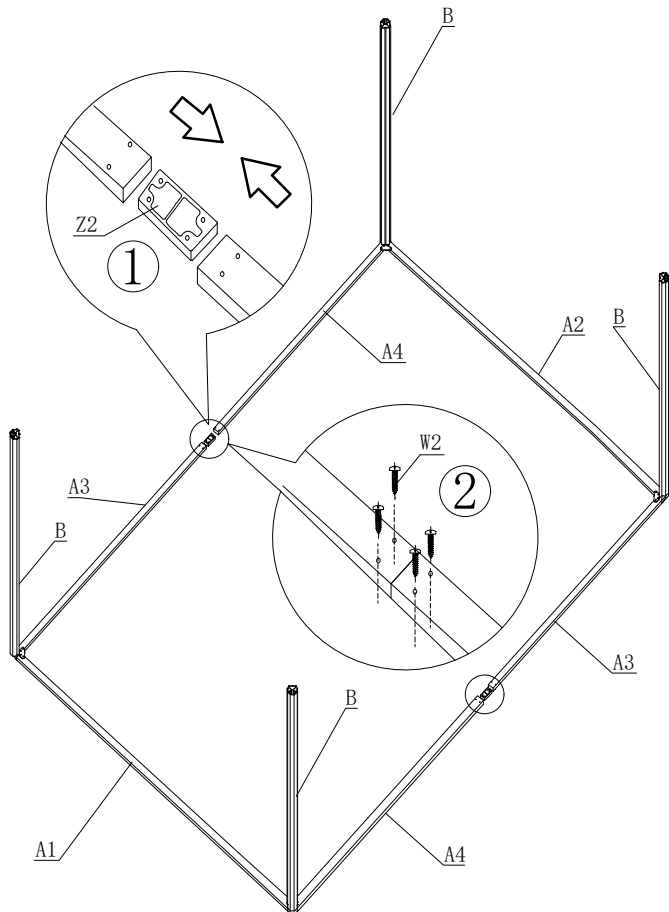


Connect corner pillar to bottom beam

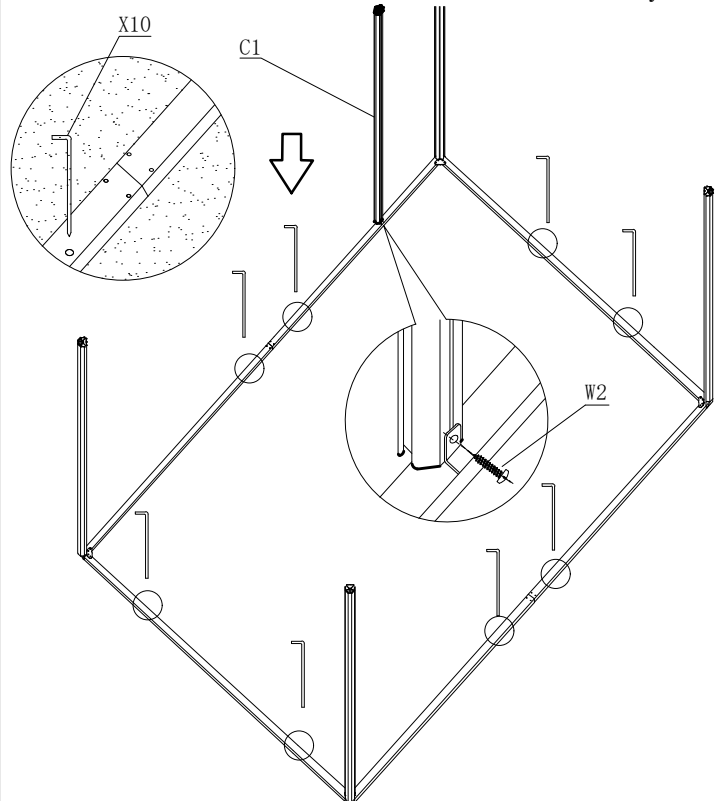


5

Connect bottom beams A3, A4 through Z2

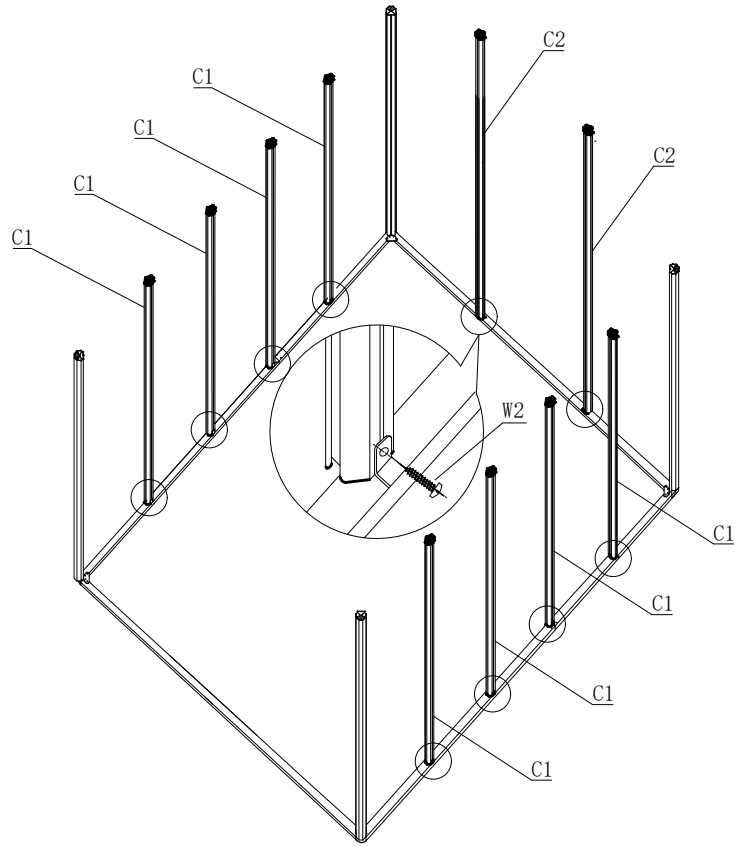


Connect side pillar C1 to the bottom beam
Insert tent peg X10 in to the middle of side bottom beams to make bottom beams steadily



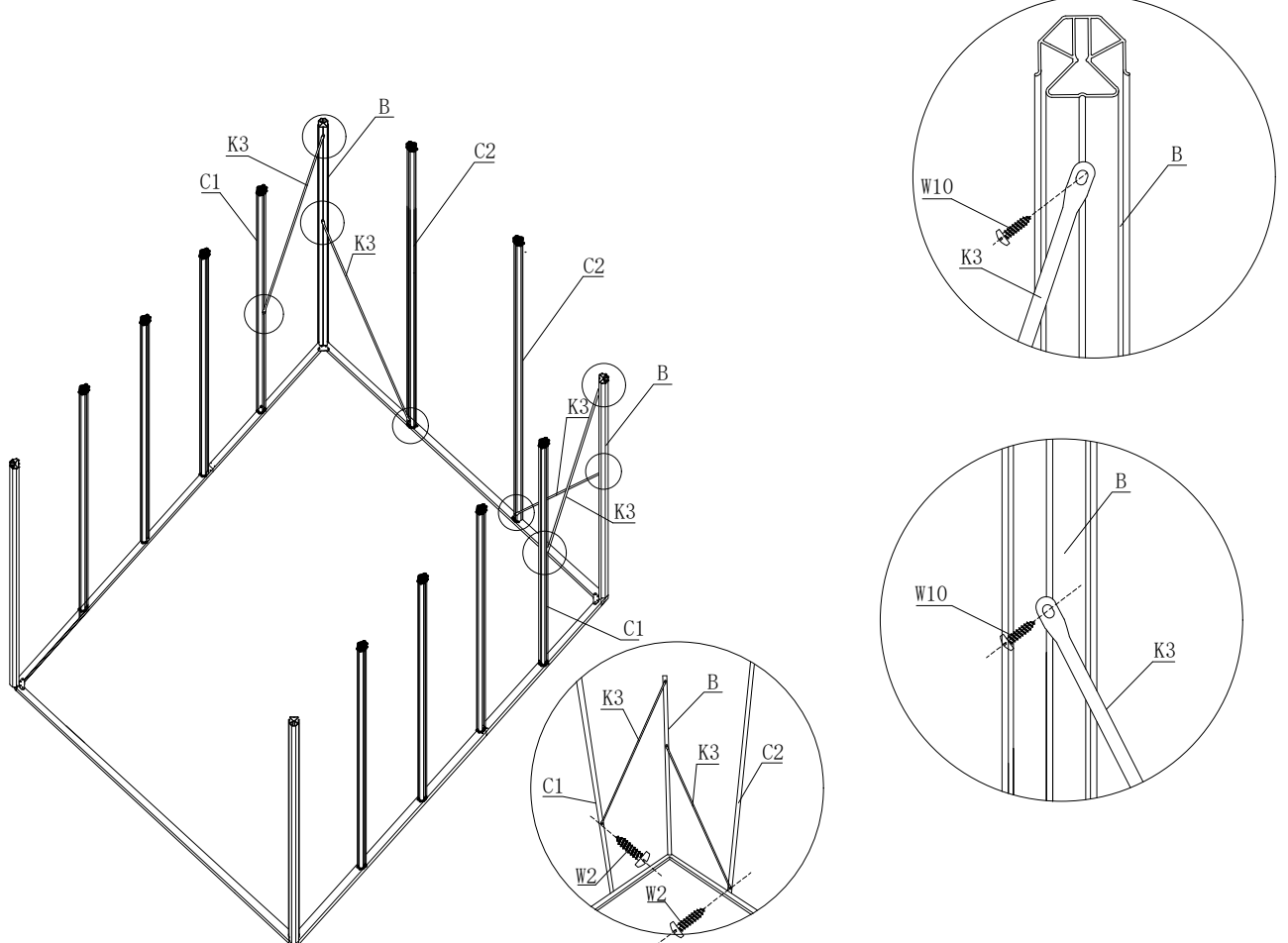
6

Connect side pillars C1, C2, to bottom beam



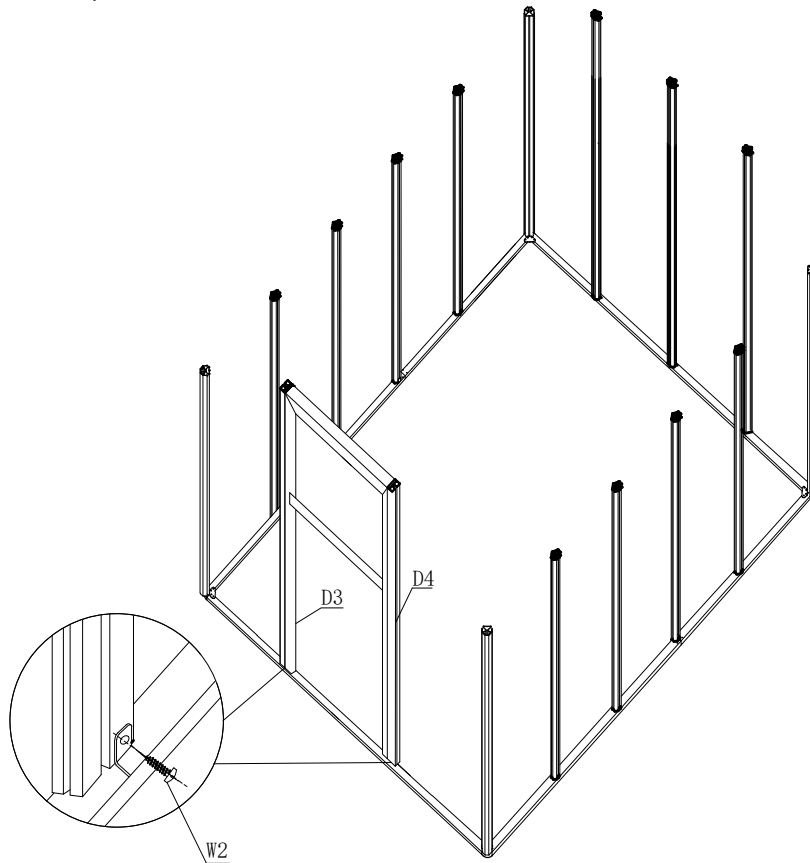
7

Connect the corner pillar B opposite the door to the side pillars C1 and C2 by K3



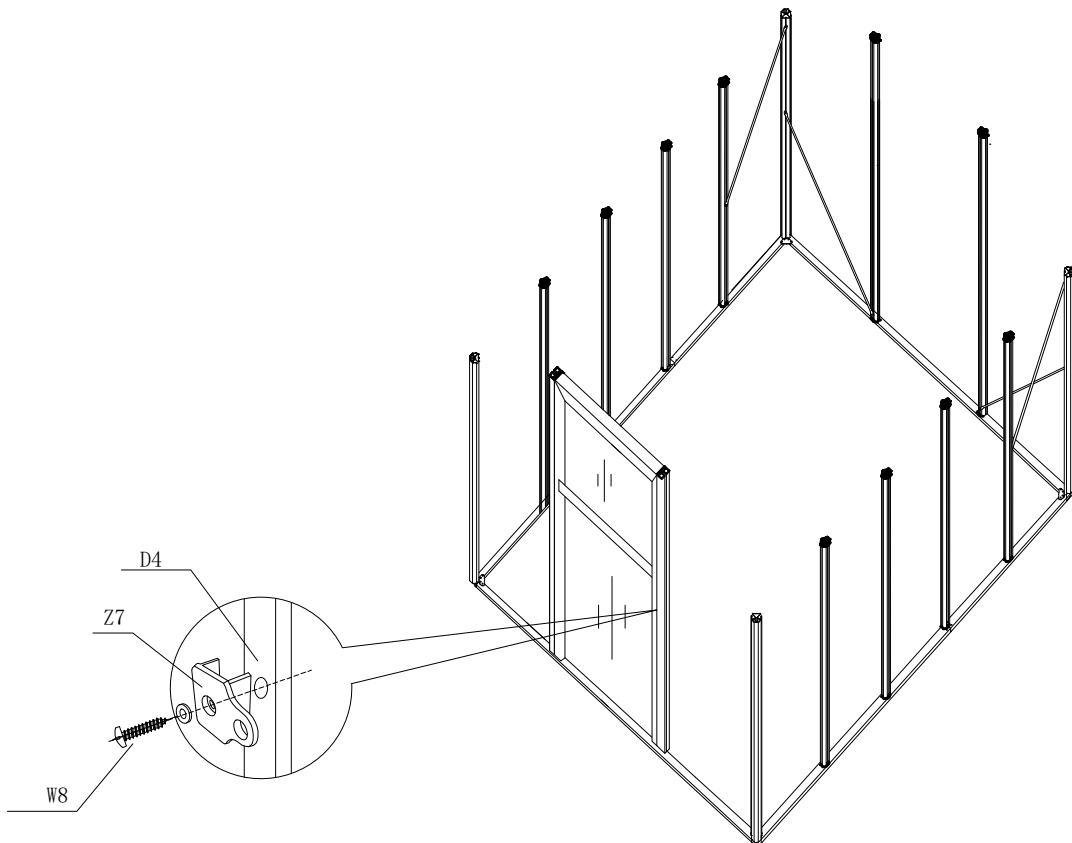
8

Connect side pillars D3, D4 to bottom beam



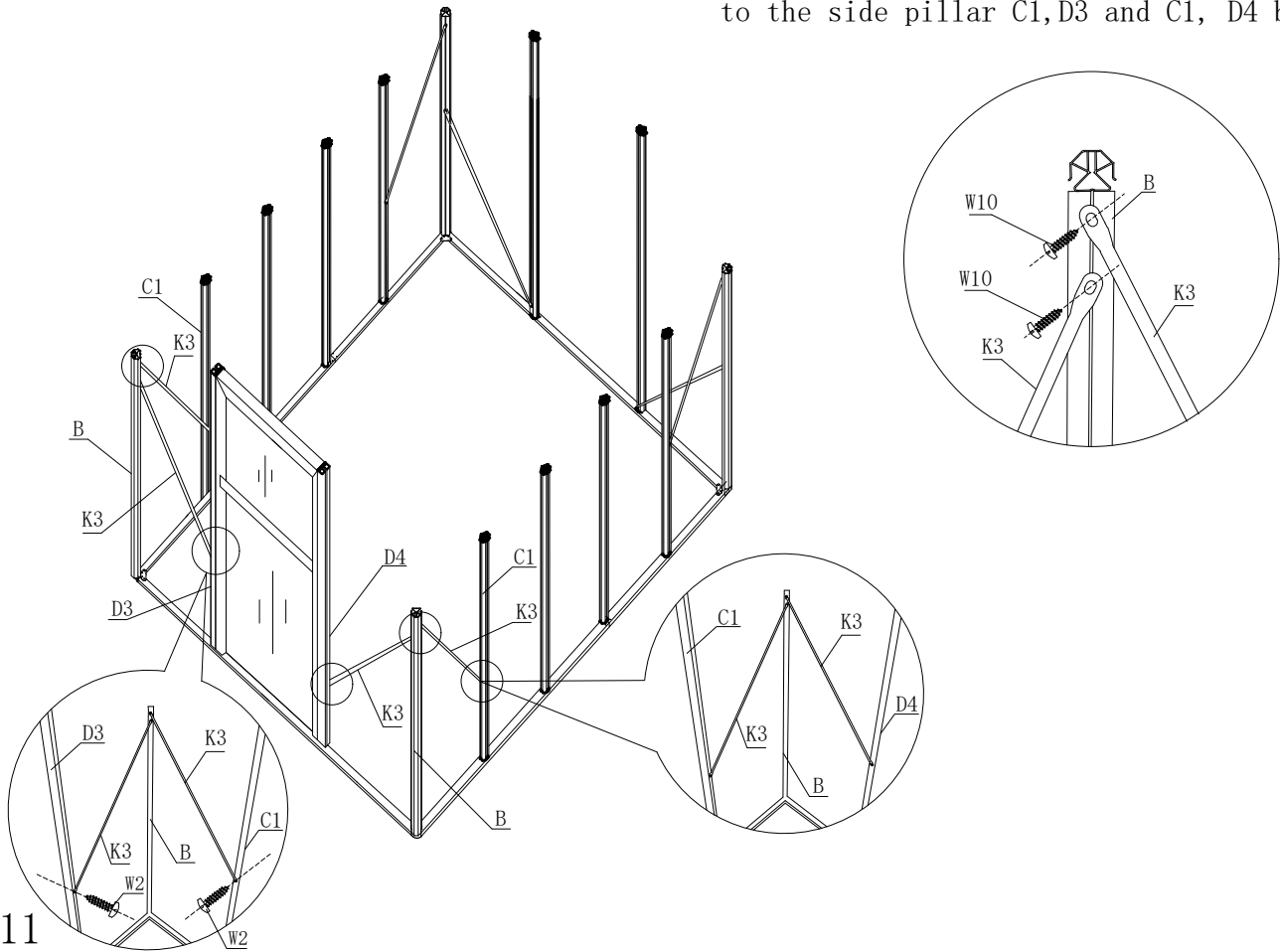
9

Press the door lock Z7 into the door frame hole, tighten the tapping screw W8

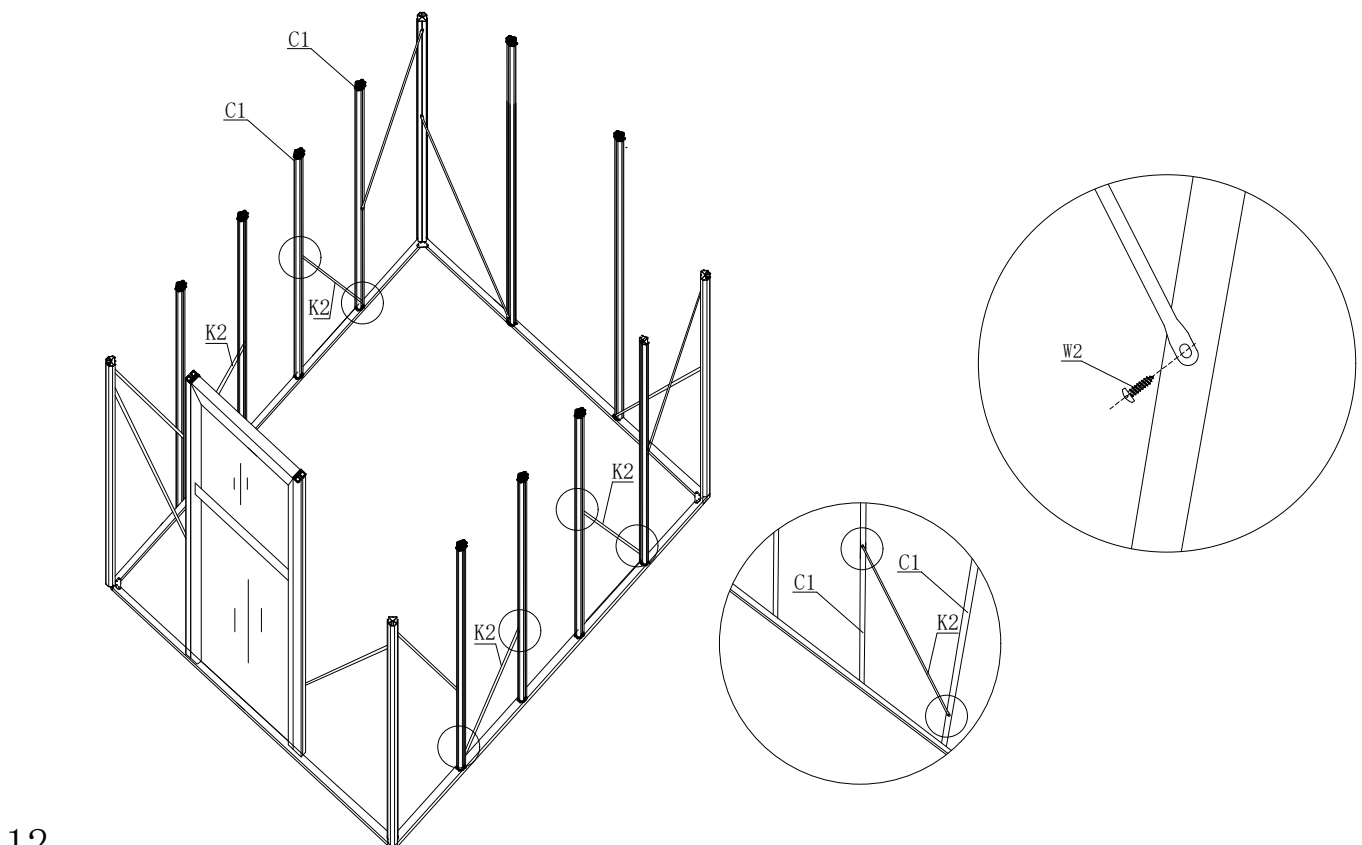


10

Connect the pillar B next to the front door to the side pillar C1, D3 and C1, D4 by K3

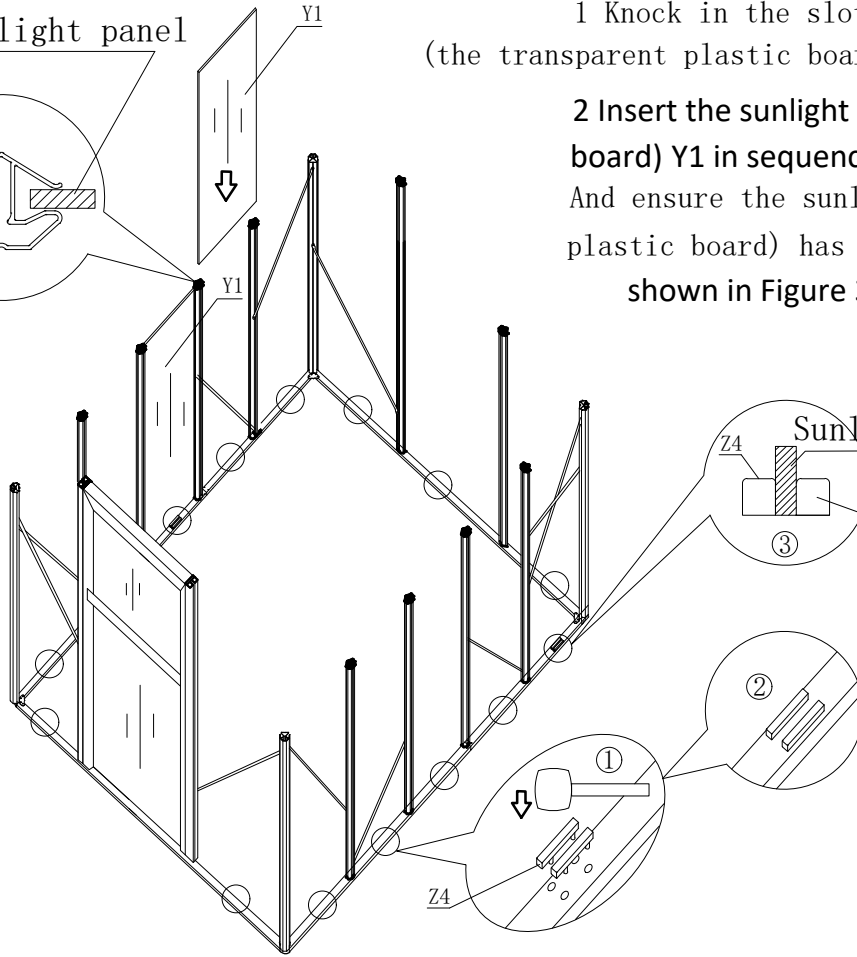
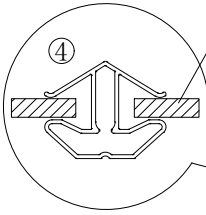


Connect the Side pillars C1 by K2



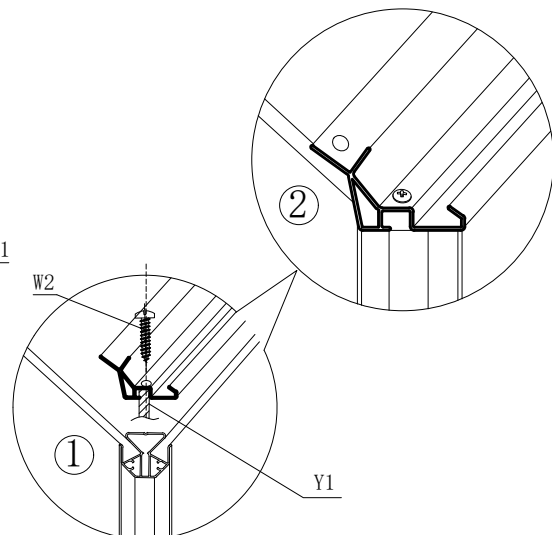
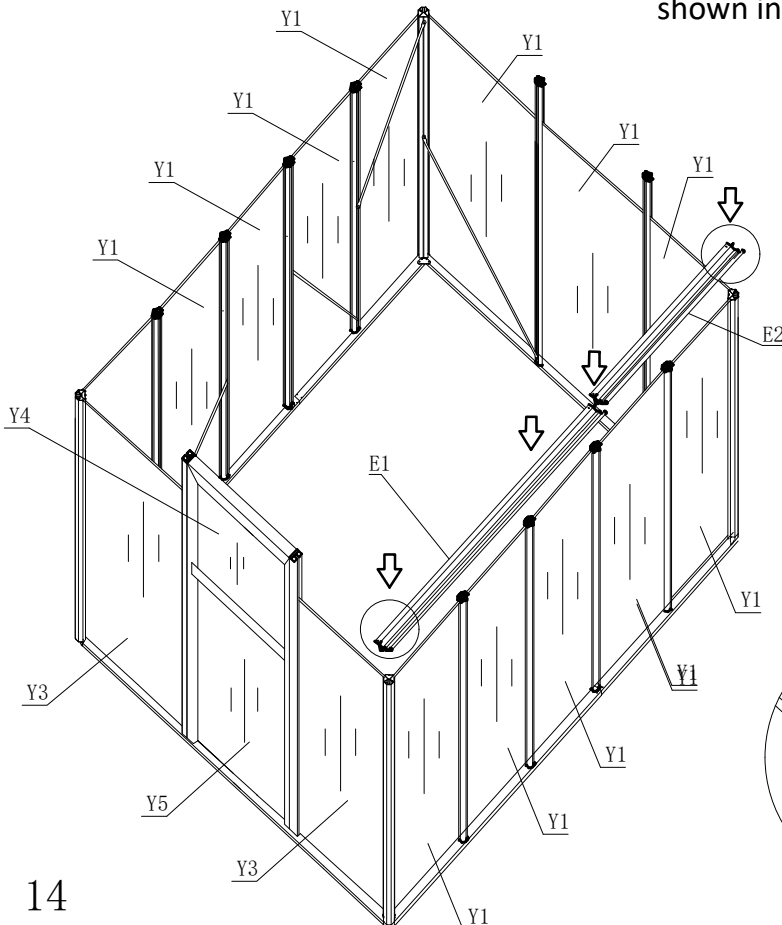
Sunlight panel

- 1 Knock in the slot Z4 of the sunlight panel (the transparent plastic board) , as shown in Figure 1 and 2
- 2 Insert the sunlight panel (the transparent plastic board) Y1 in sequence , as shown in Figure 4
And ensure the sunlight panel (the transparent plastic board) has been inserted into the slot as shown in Figure 3



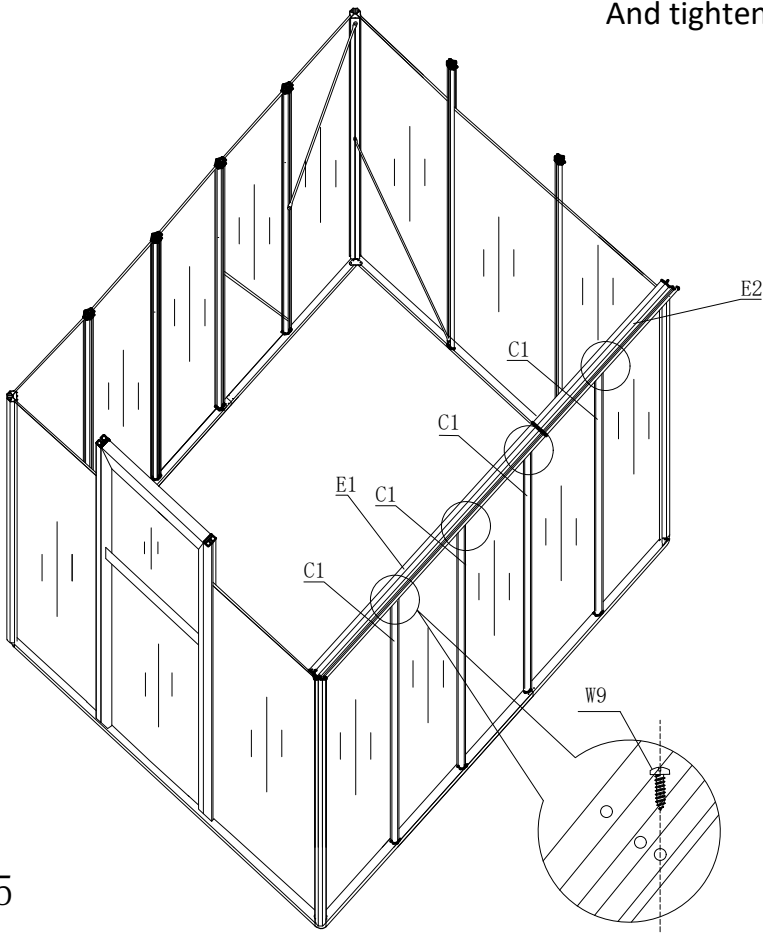
13

- Use the slot of the drainage ditch E1,E2 to press down on the sunlight panel (the transparent plastic board) , as shown in Figure 1 and tighten the screw W2



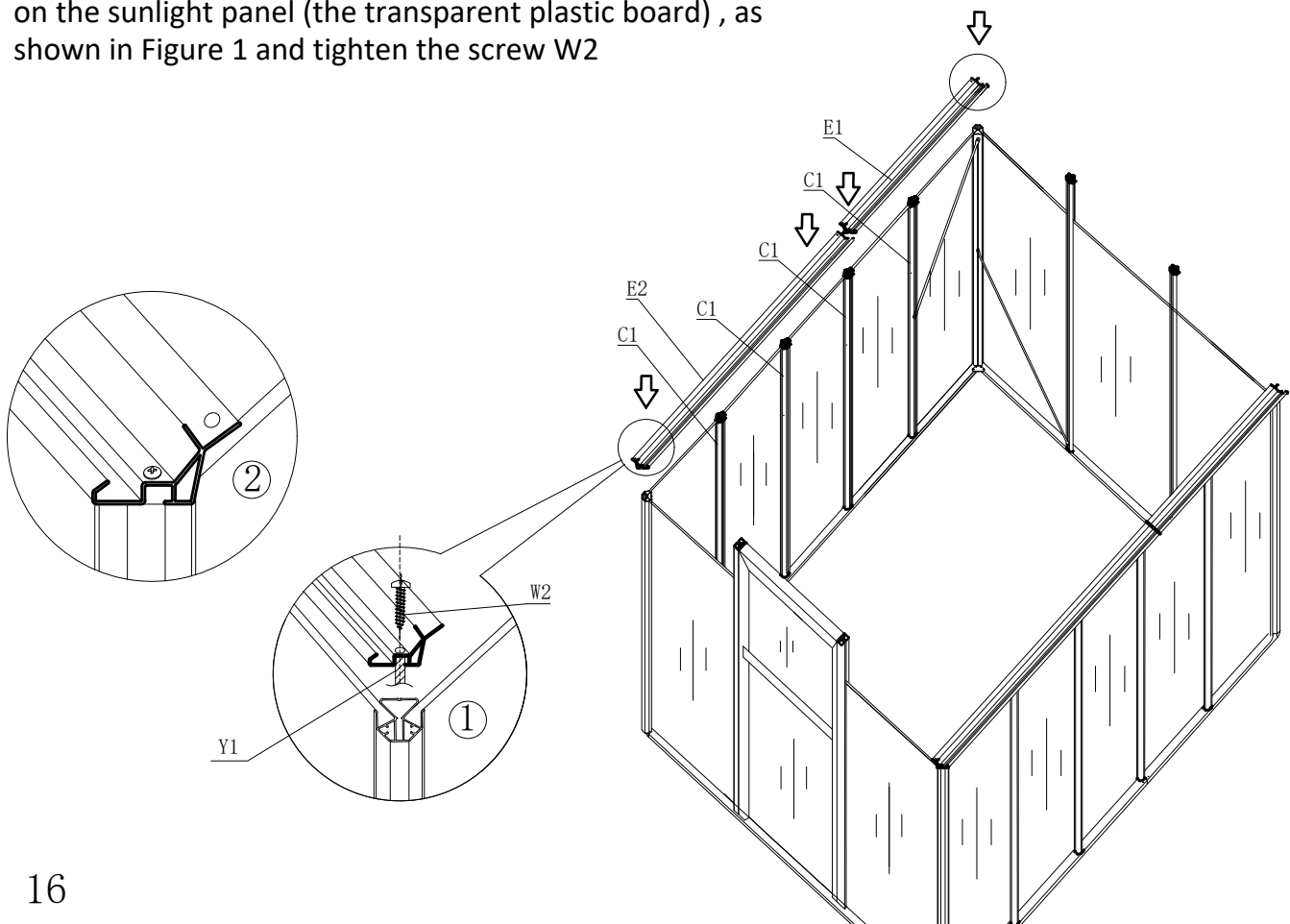
14

Connect the drainage ditch E1,E2 to the side pillars C1
And tighten screws W9 in sequence



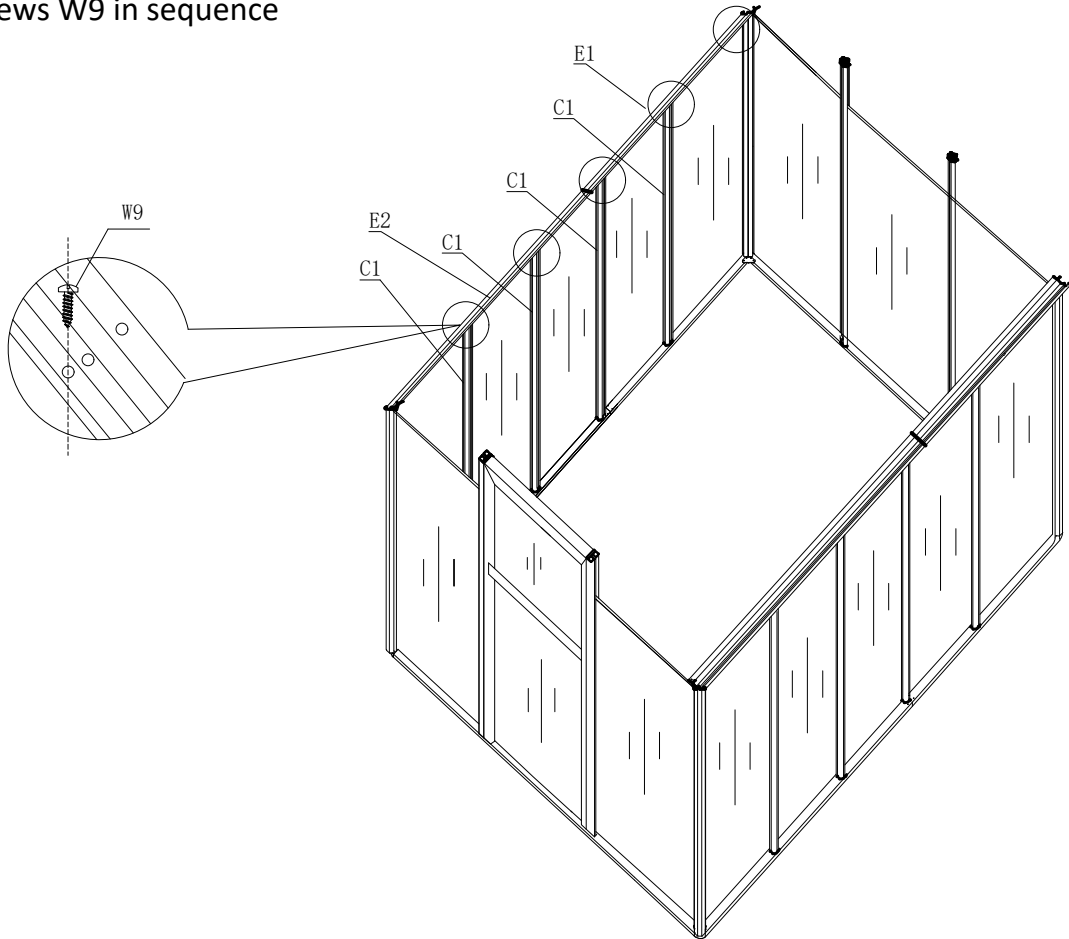
15

Use the slot of the drainage ditch E1,E2 to press down
on the sunlight panel (the transparent plastic board) , as
shown in Figure 1 and tighten the screw W2

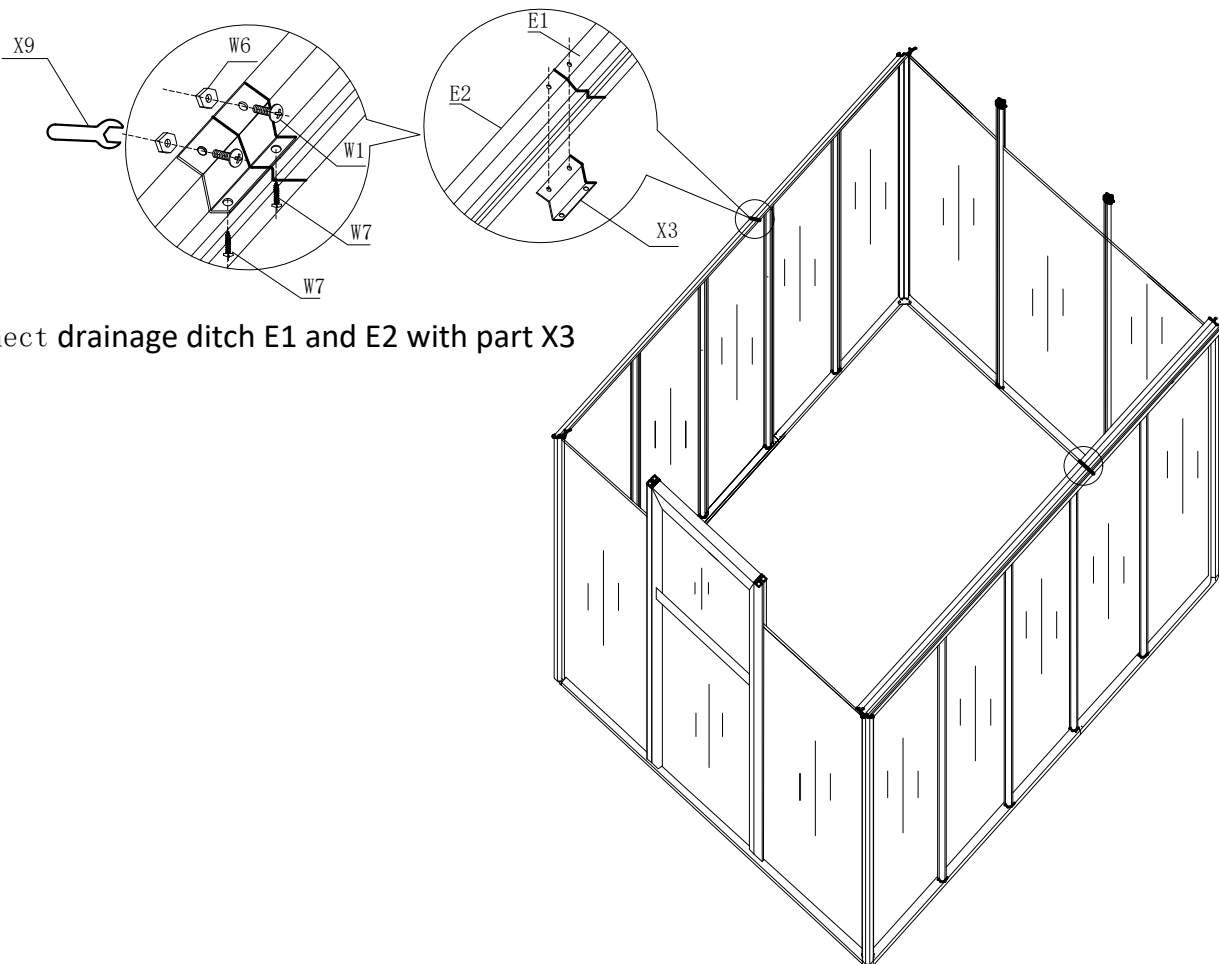


16

Connect the drainage ditch E1,E2 to the side pillars C1
And tighten screws W9 in sequence



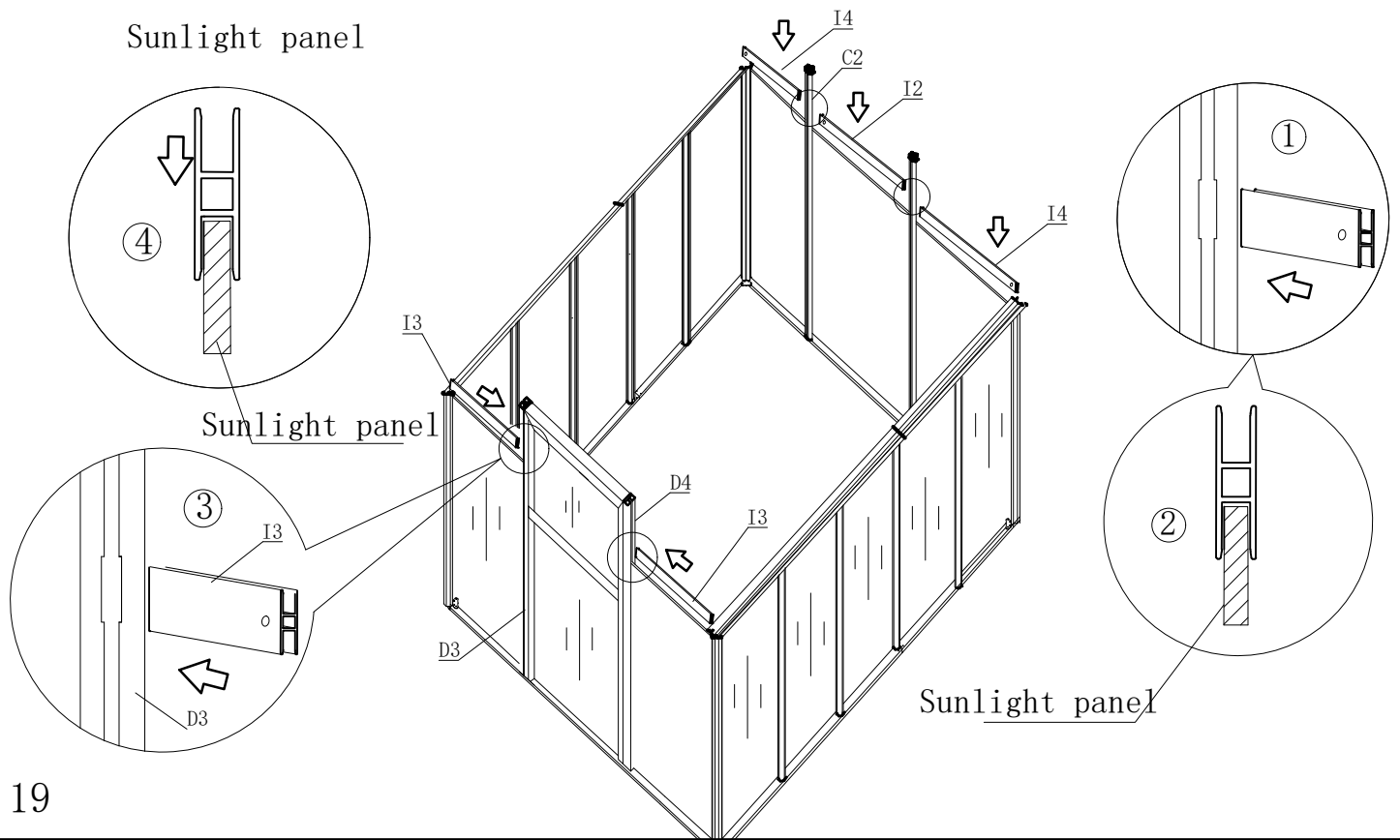
17



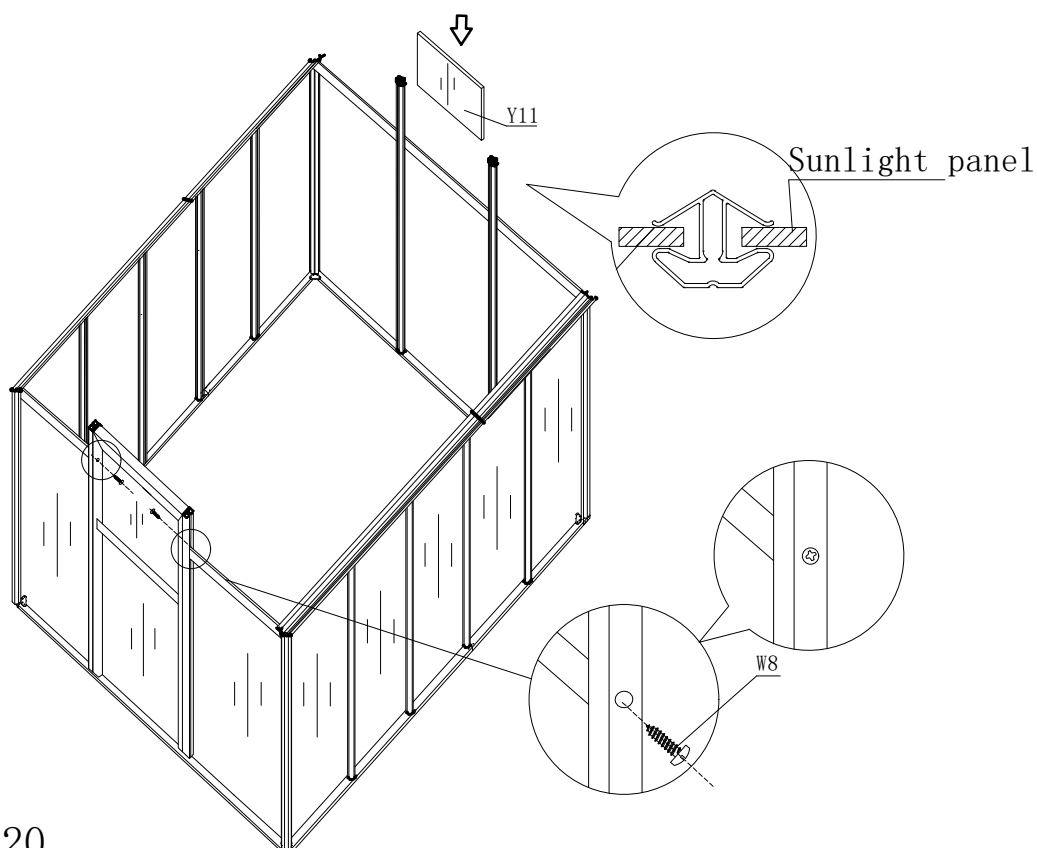
Connect drainage ditch E1 and E2 with part X3

18

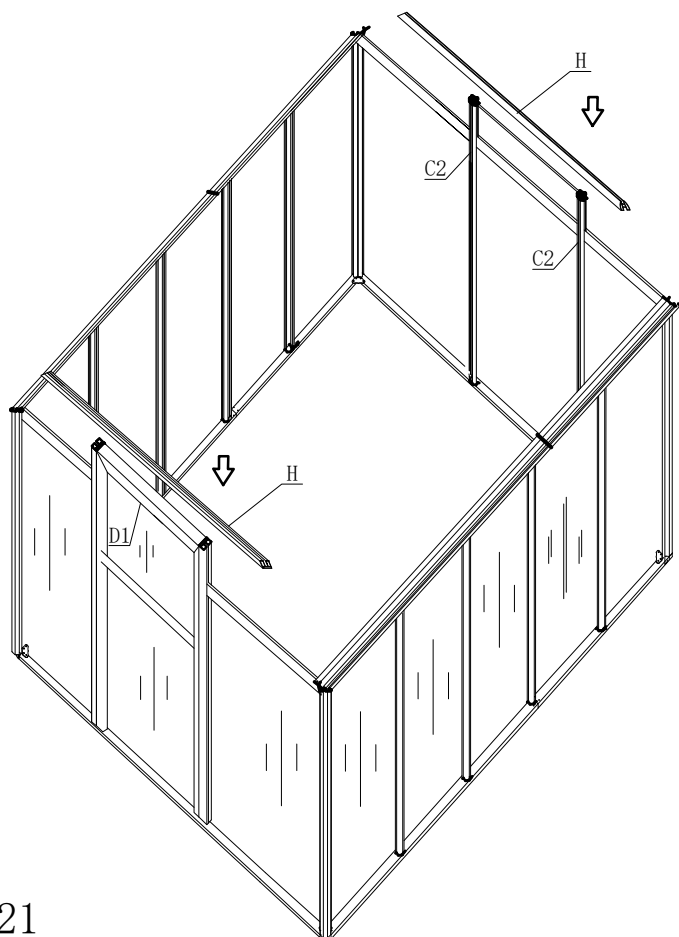
1. Connect the partition board of sunlight panel I2 to the side pillar C2
2. Connect the partition board of sunlight panel I4 to the side pillar C2
3. Connect the partition board of sunlight panel I3 to the door frame pillar D3, D4



1. Insert sunlight panel Y12 into the slot of the side pillar
2. Tighten the W8 screws on both sides of the door

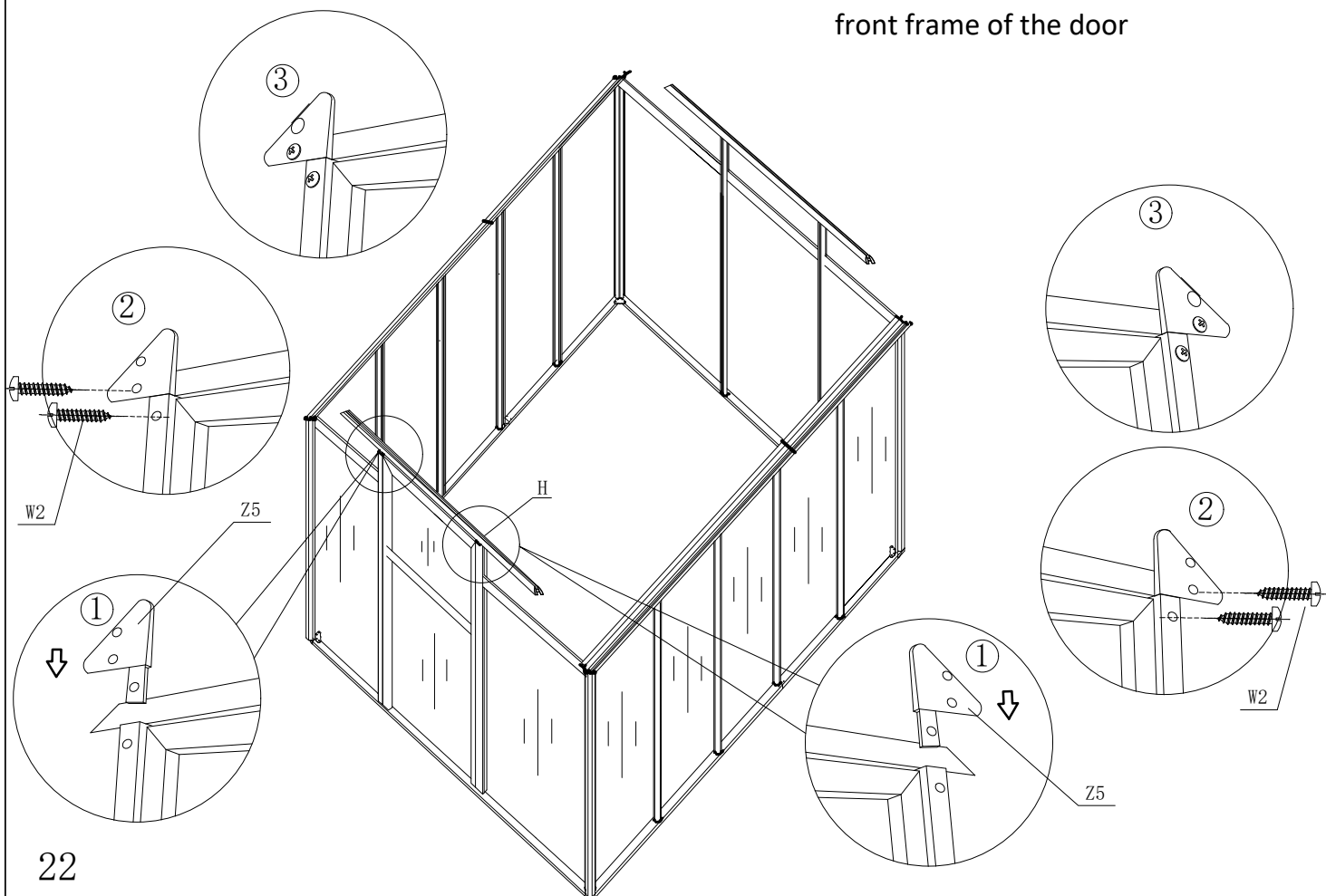


Place the crossmember H on the pillar C2 of the door frame D1



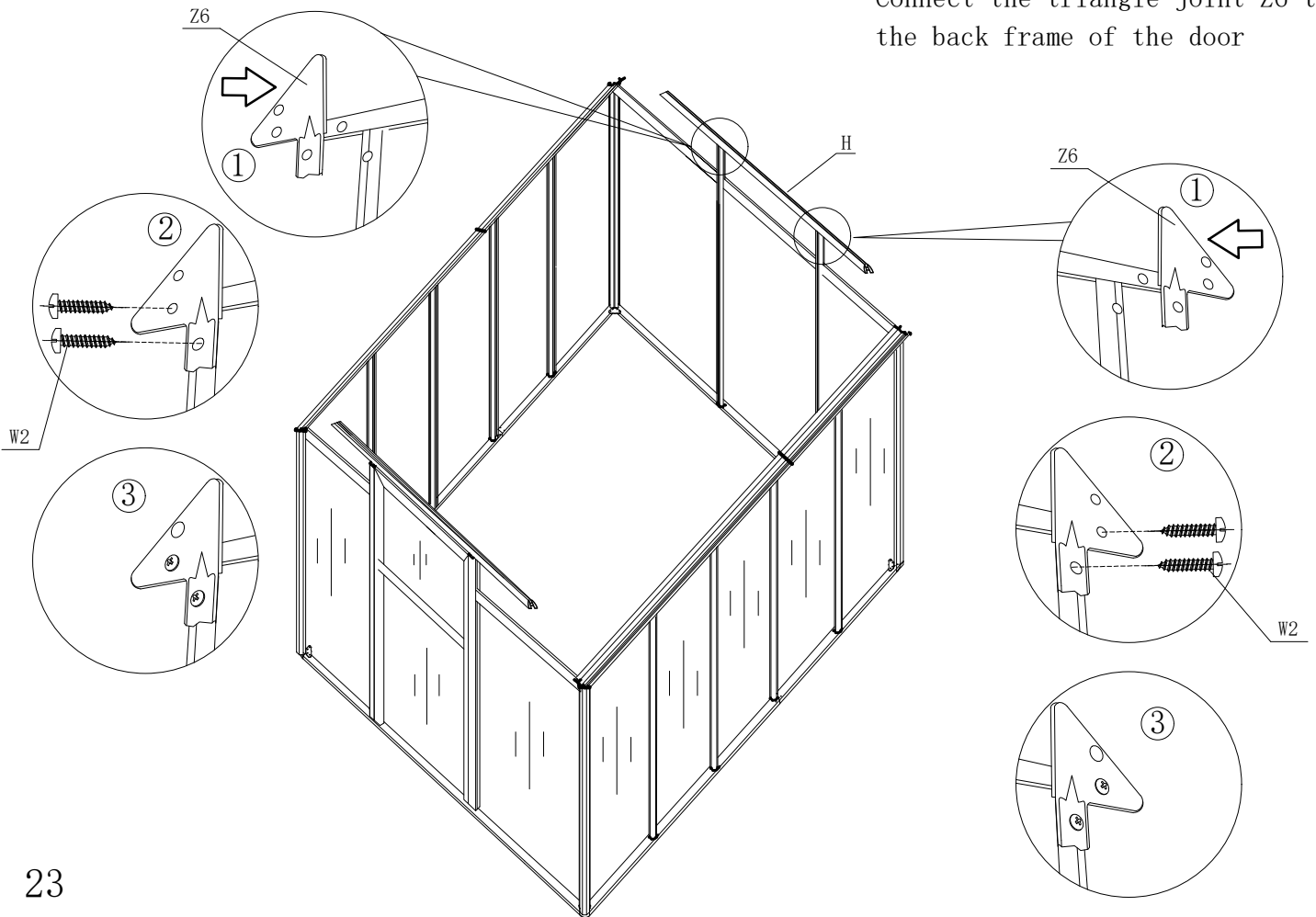
21

Connect the triangle joint Z5 to the front frame of the door

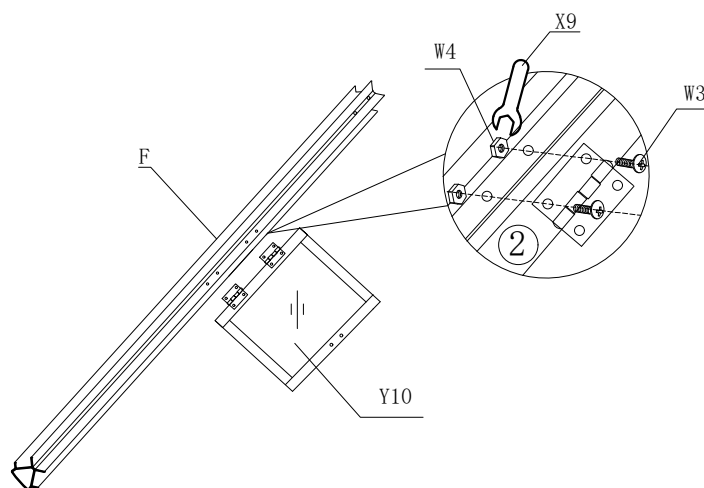


22

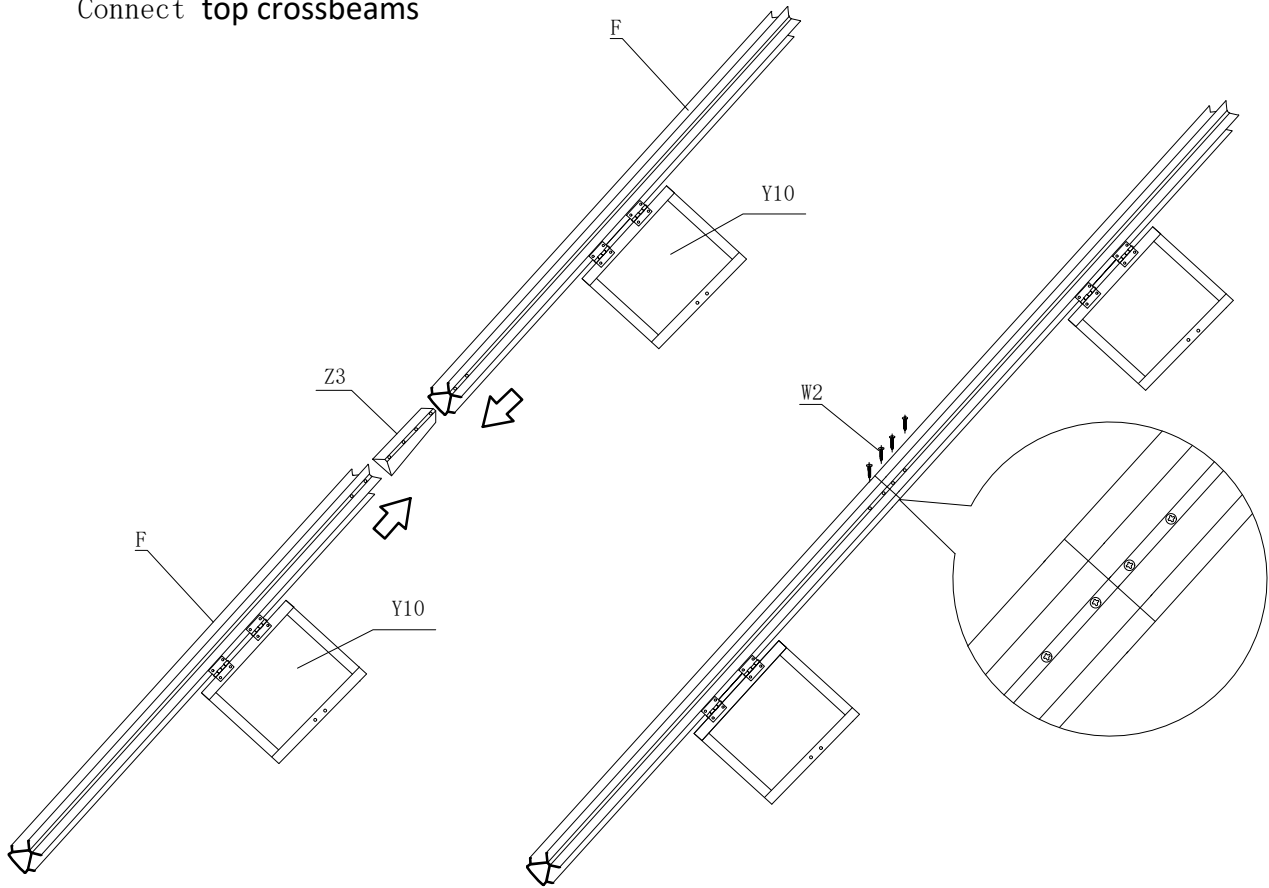
Connect the triangle joint Z6 to the back frame of the door



- 1 Connect bracing piece of Skylight Plastic Sheet X5 with Skylight Plastic Sheet Y10
2. Connect Skylight Plastic Sheet Y10 to the top crossbeam F

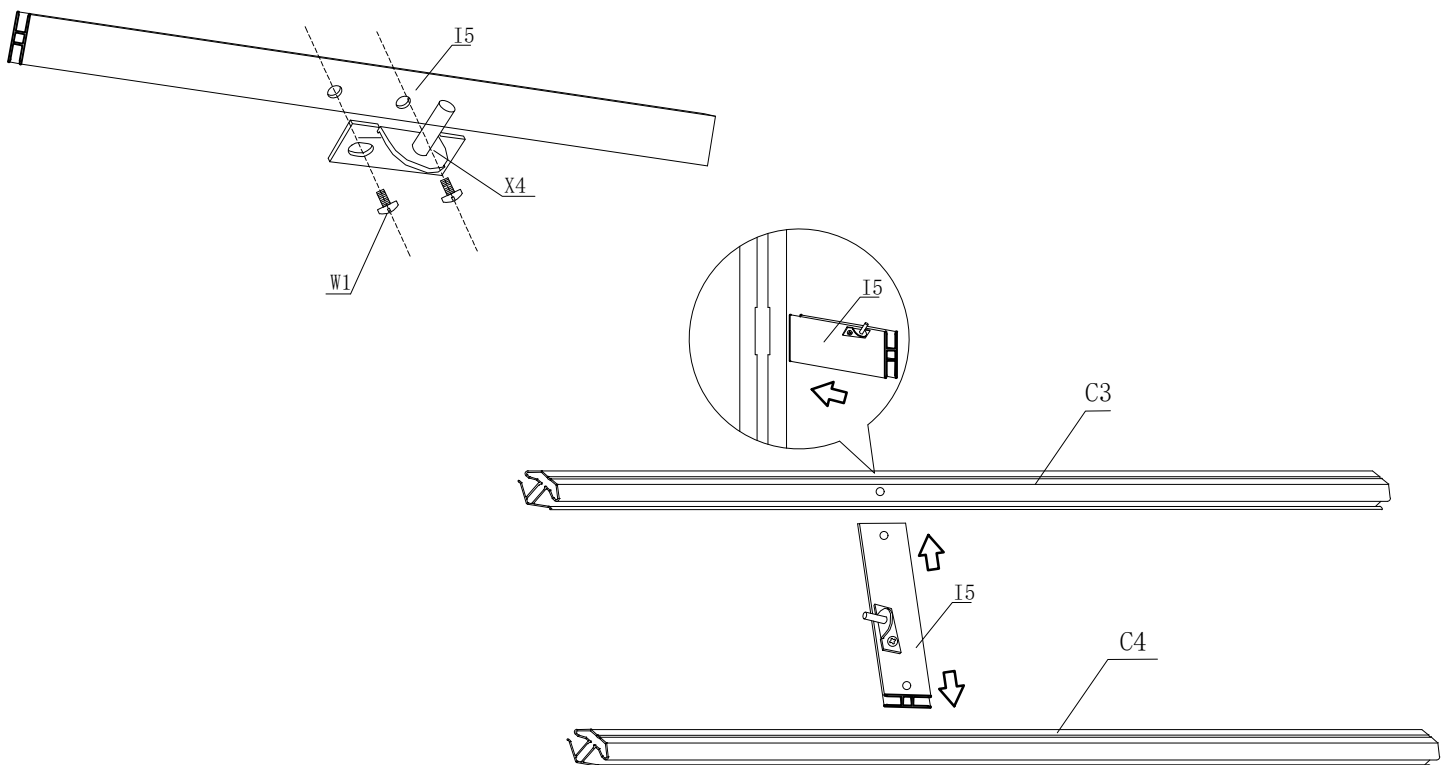


Connect top crossbeams

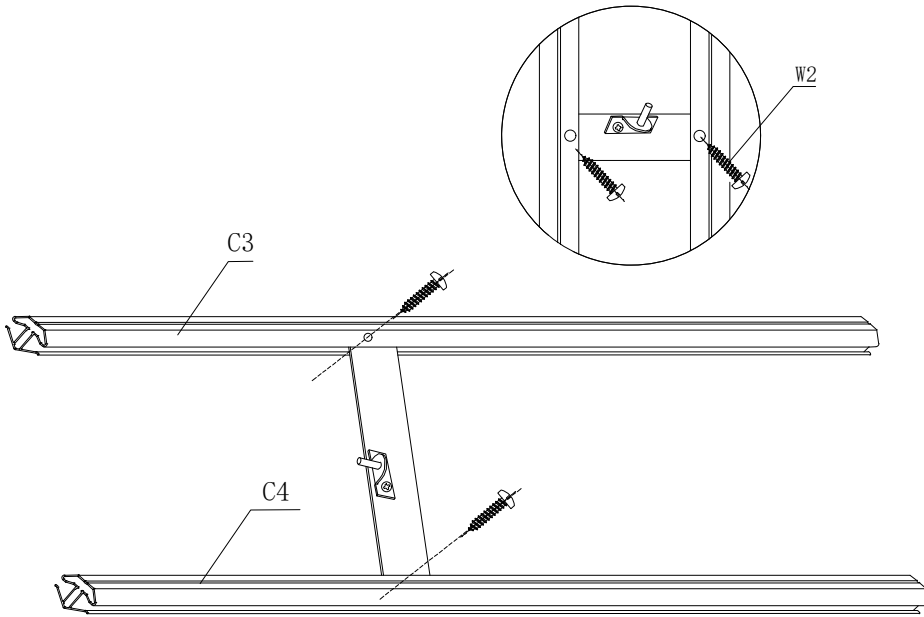


25

1. Connect and tighten skylight panel crossbar I 5 to skylight supporting seat X4
2. Insert the skylight panel crossbar I 5

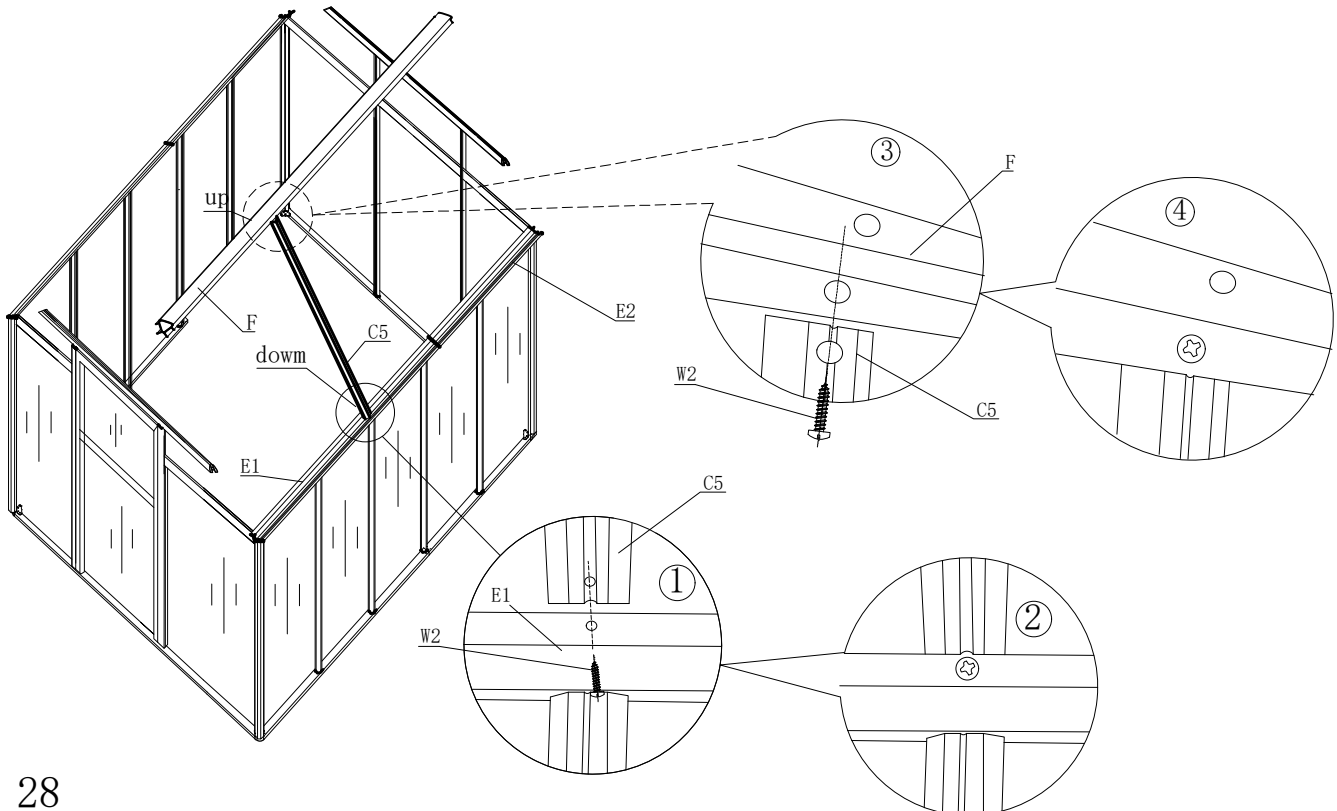
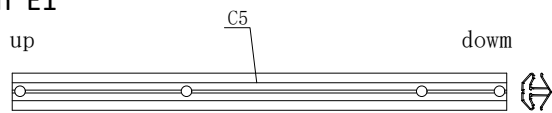


26



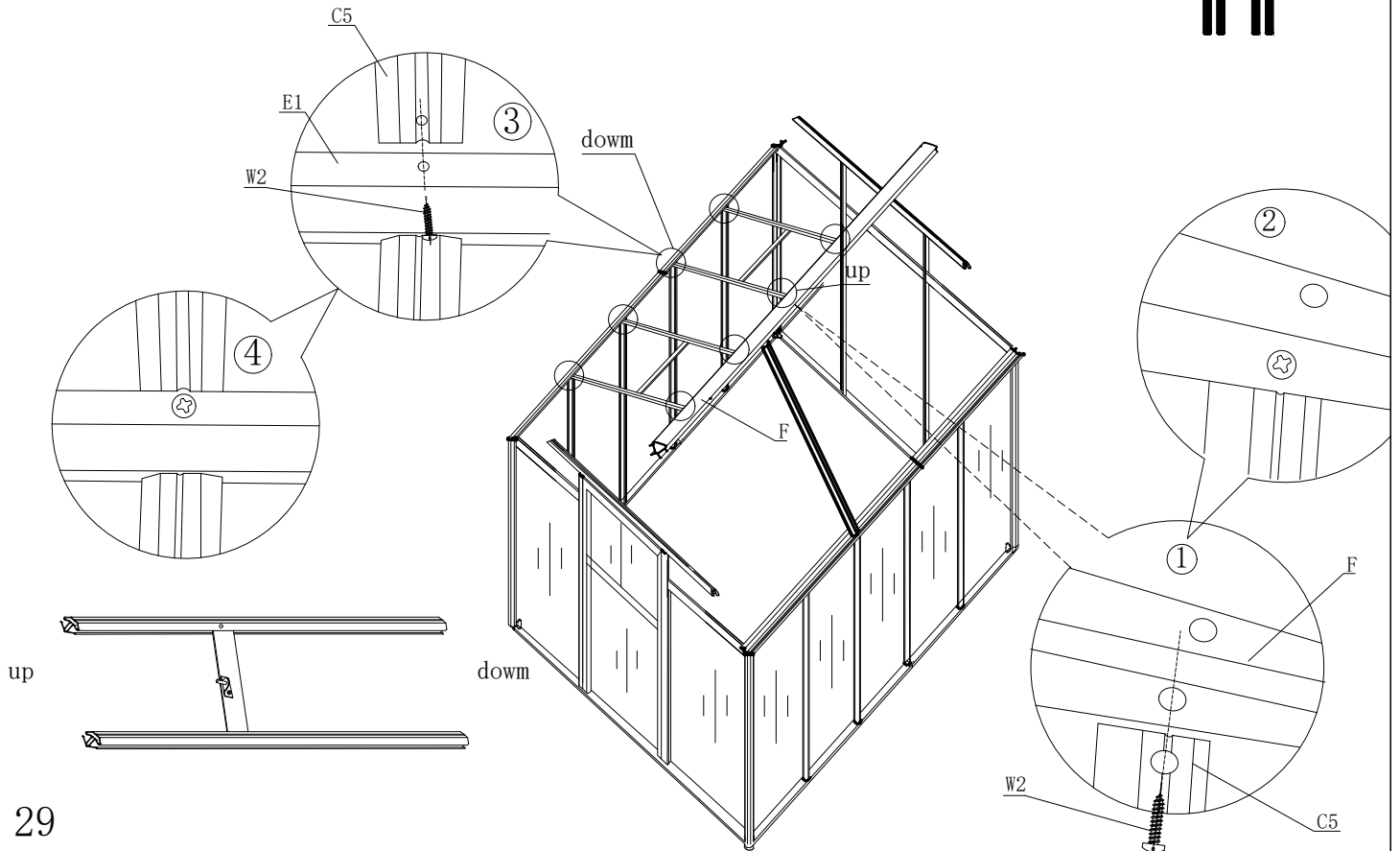
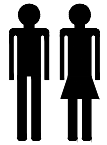
27

Connect the inclined pillar C5 to the drainage ditch E1
 Connect inclined pillars C5 to top crossbeam F

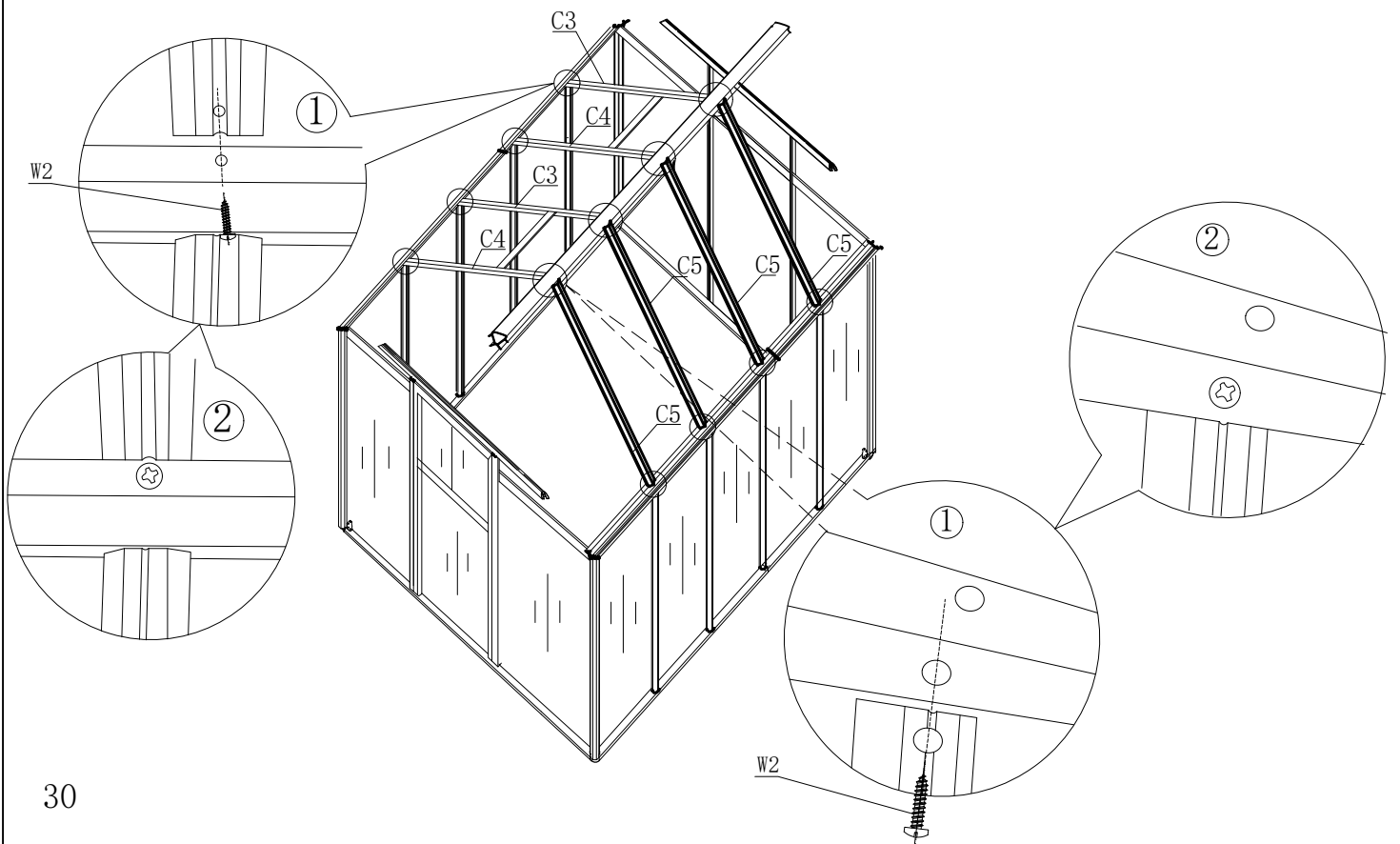


28

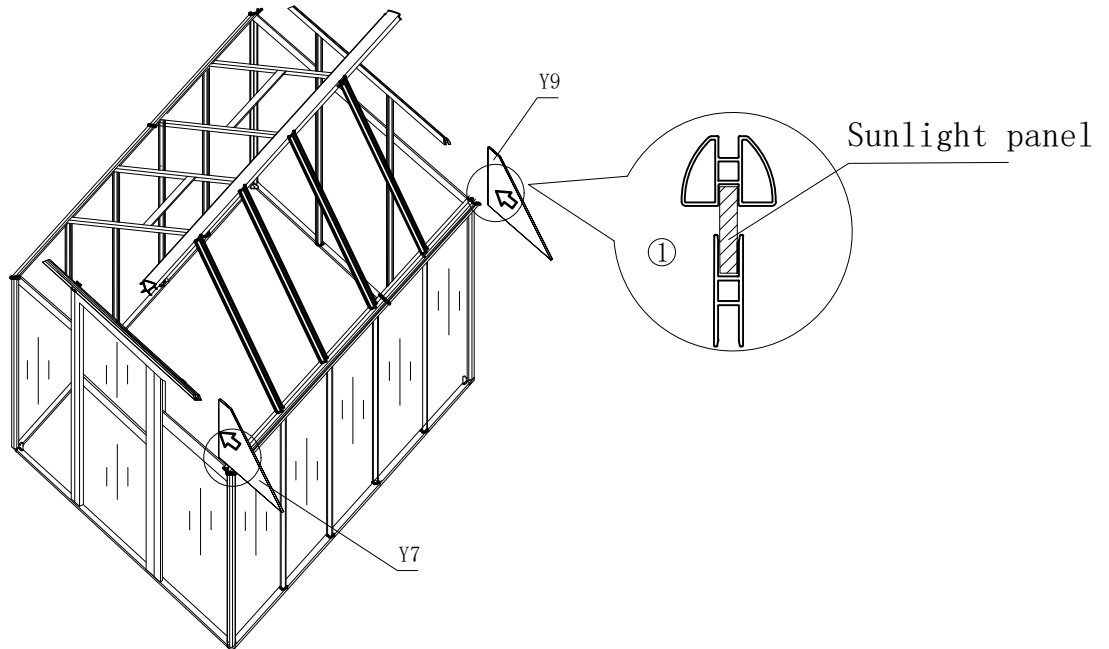
Connect inclined pillars to top crossbeam F
Connect the inclined pillar to the drainage ditch E1



Link all inclined beams C3 C4 C5

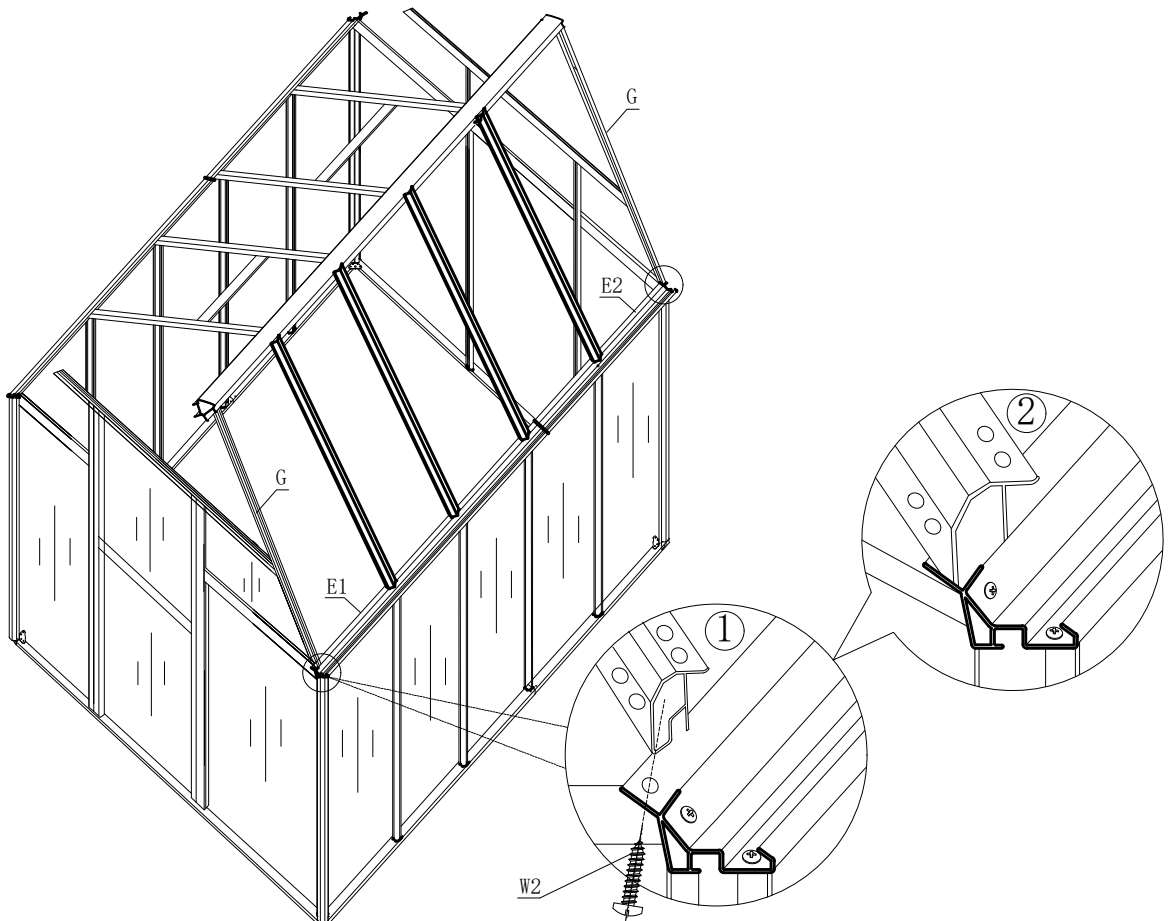


Insert Trapezoid sunlight panel into slot, as shown in 1



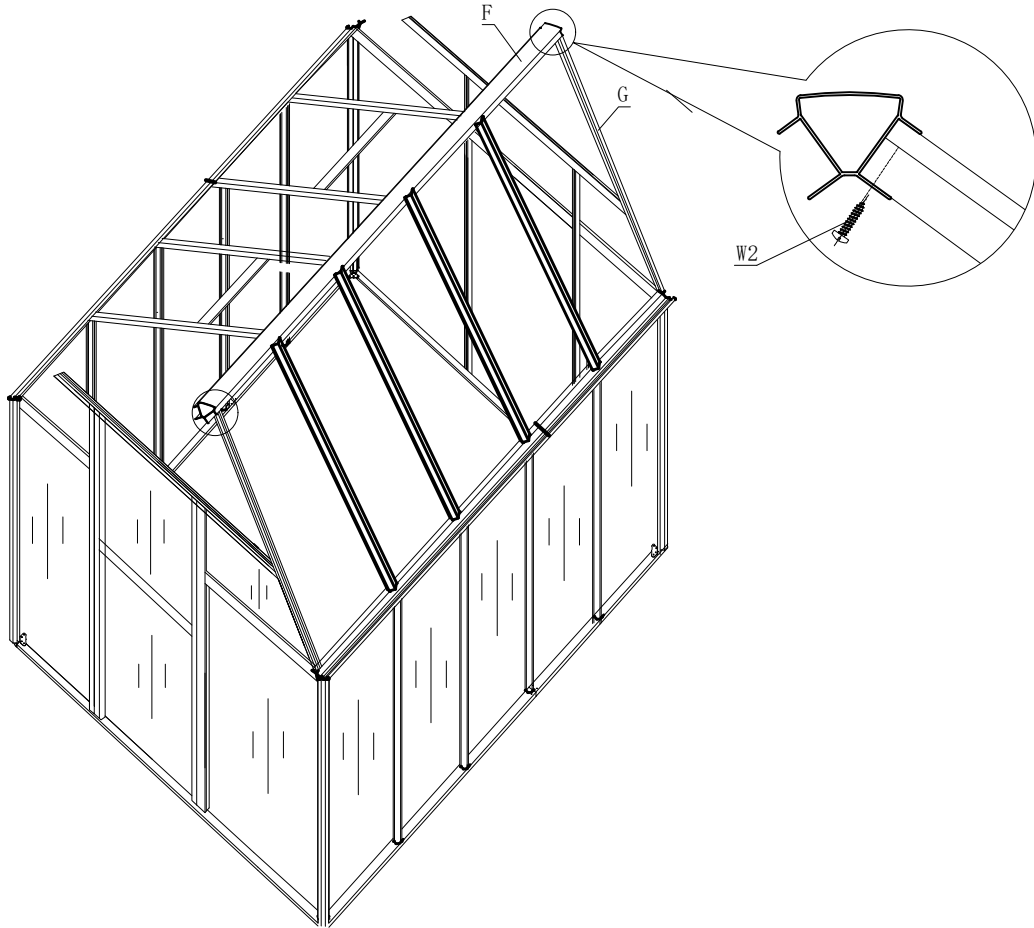
31

Connect the inclined pillars of the four corners G with drain E1 E2

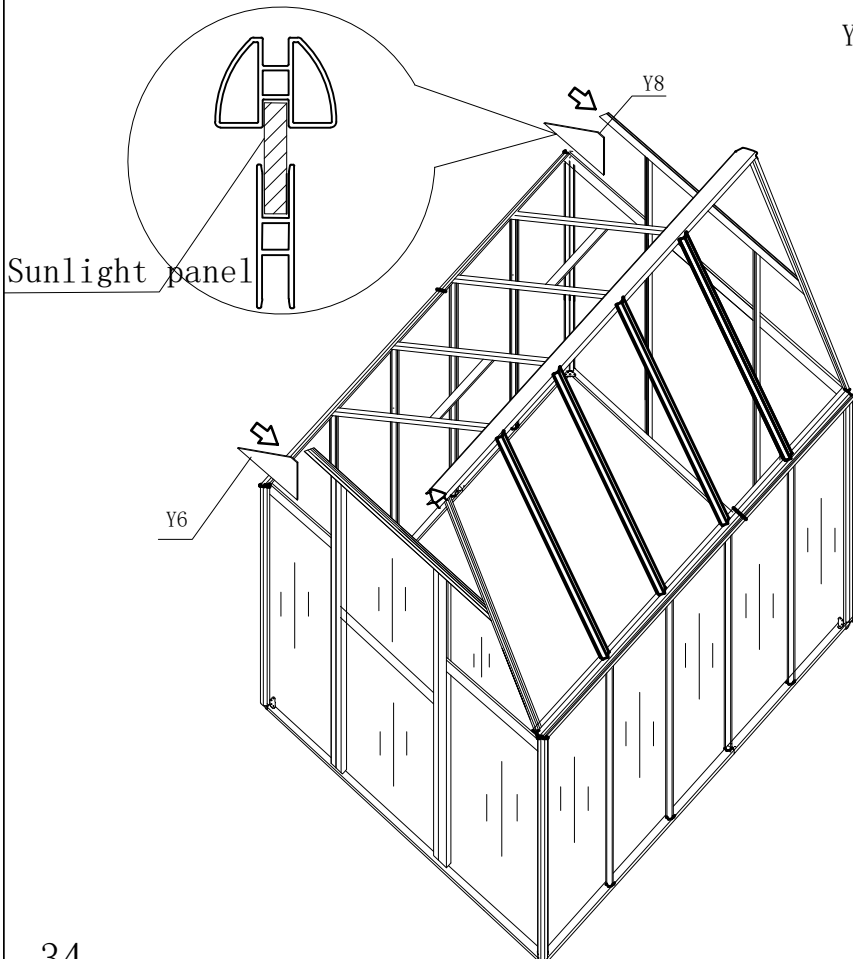


32

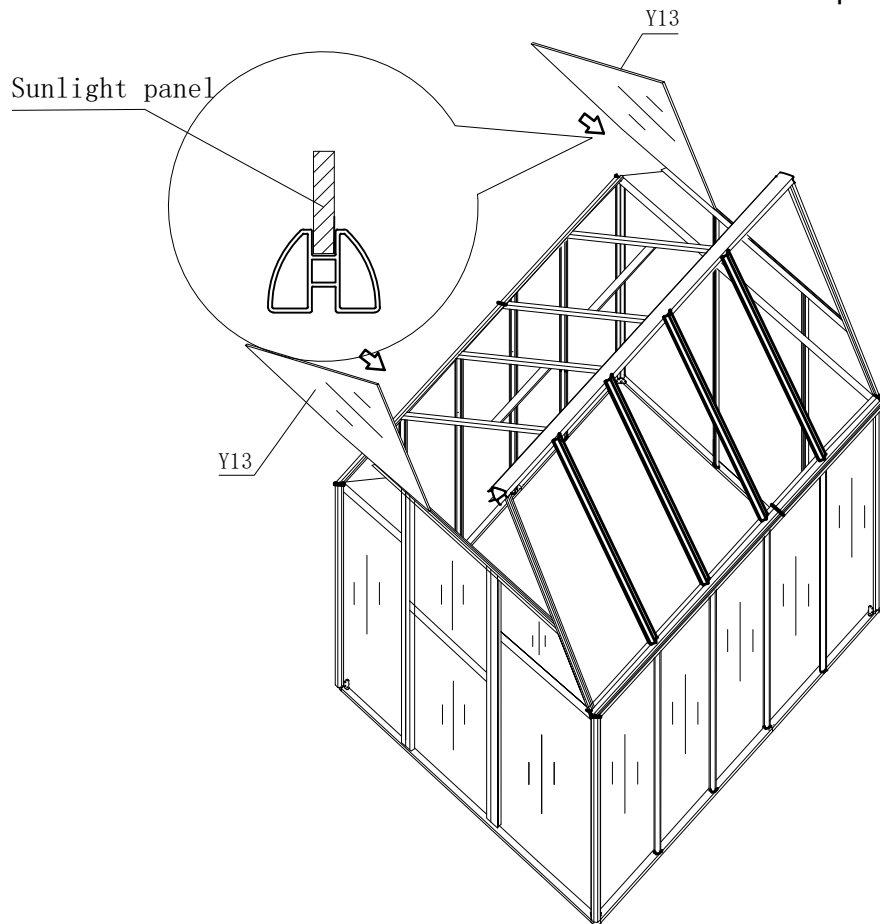
Connect the inclined pillars of the four corners G to the top crossbeam F



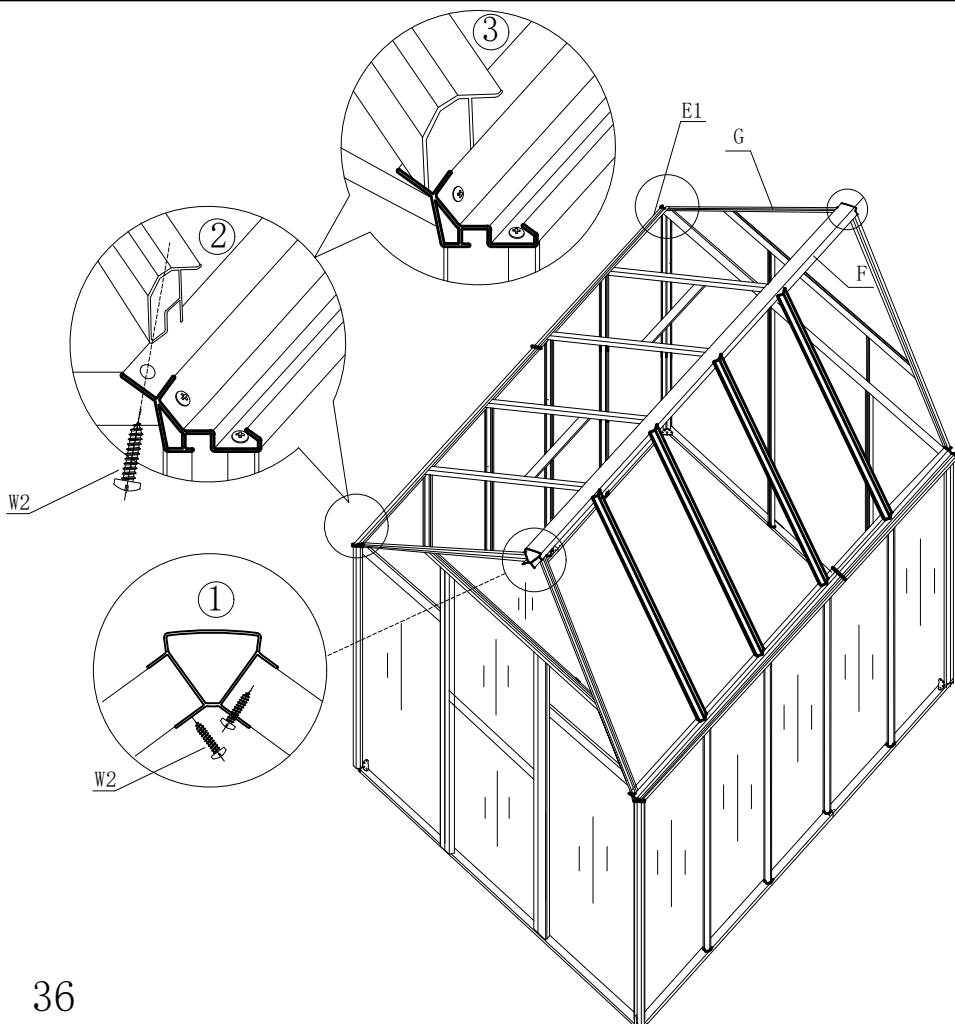
Insert trapezoid sunlight panel Y6 and Y8 into slot



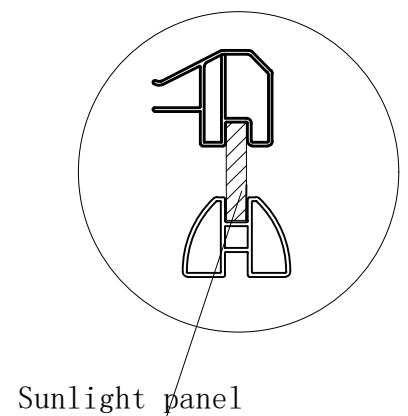
Insert the top triangle sunlight panels into the slots



35

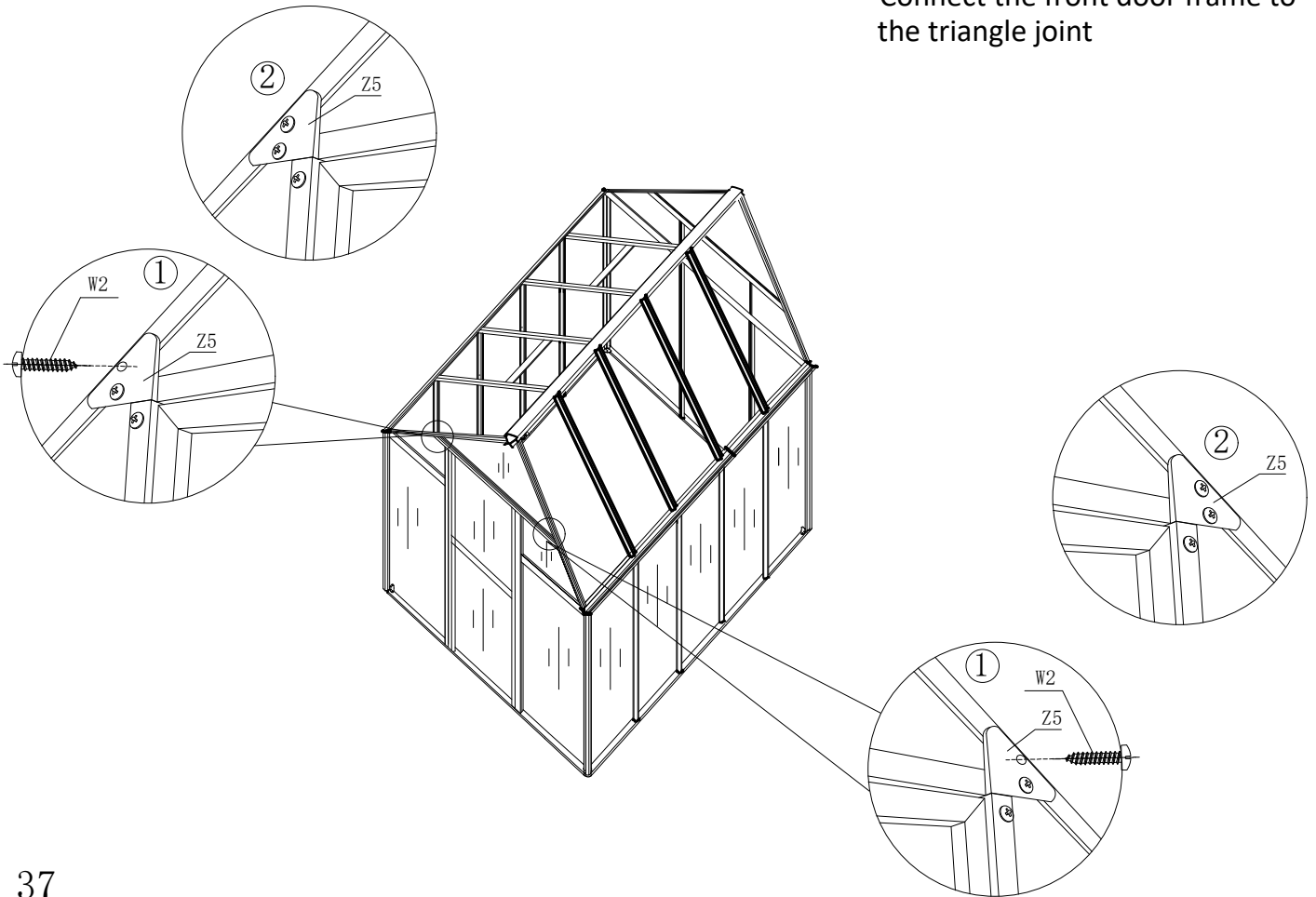


1. Connect four angled inclined pillars G with drain E1, as shown in Figure 2
2. Connect four angled inclined pillars G to the top crossbeam F, as shown in Figure 1



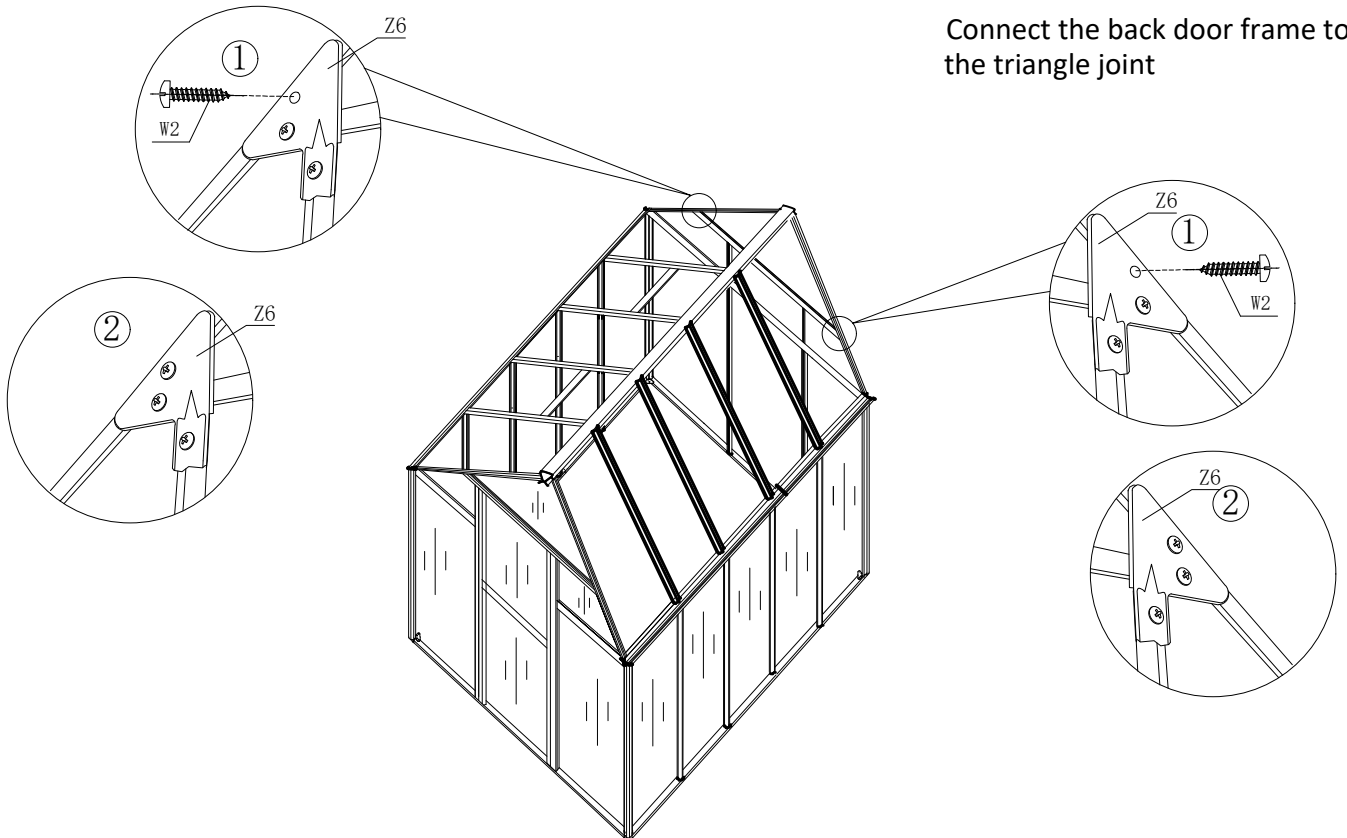
36

Connect the front door frame to the triangle joint



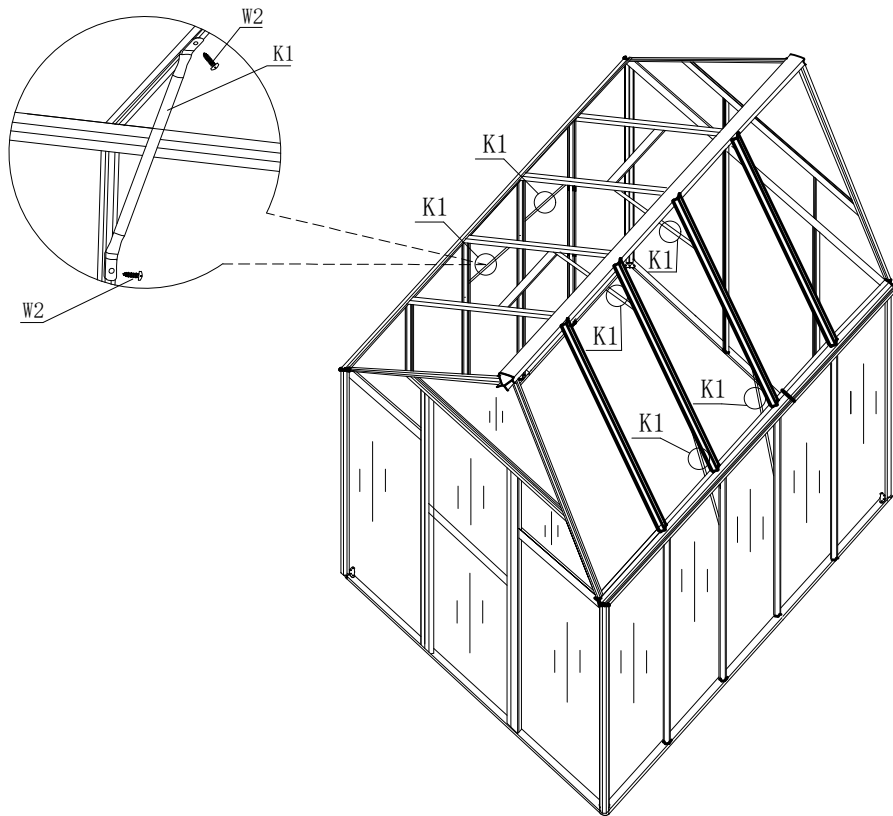
37

Connect the back door frame to the triangle joint



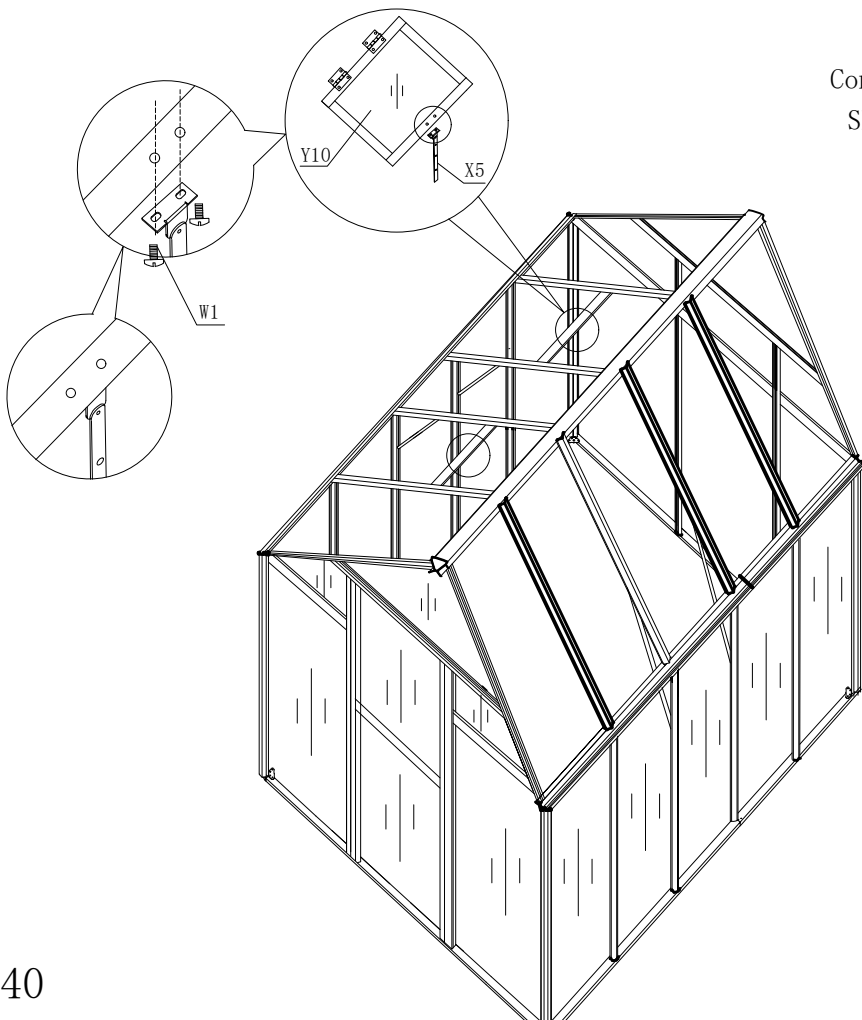
38

Install the inclined supporting bars K1 on the side pillars and inclined pillars.



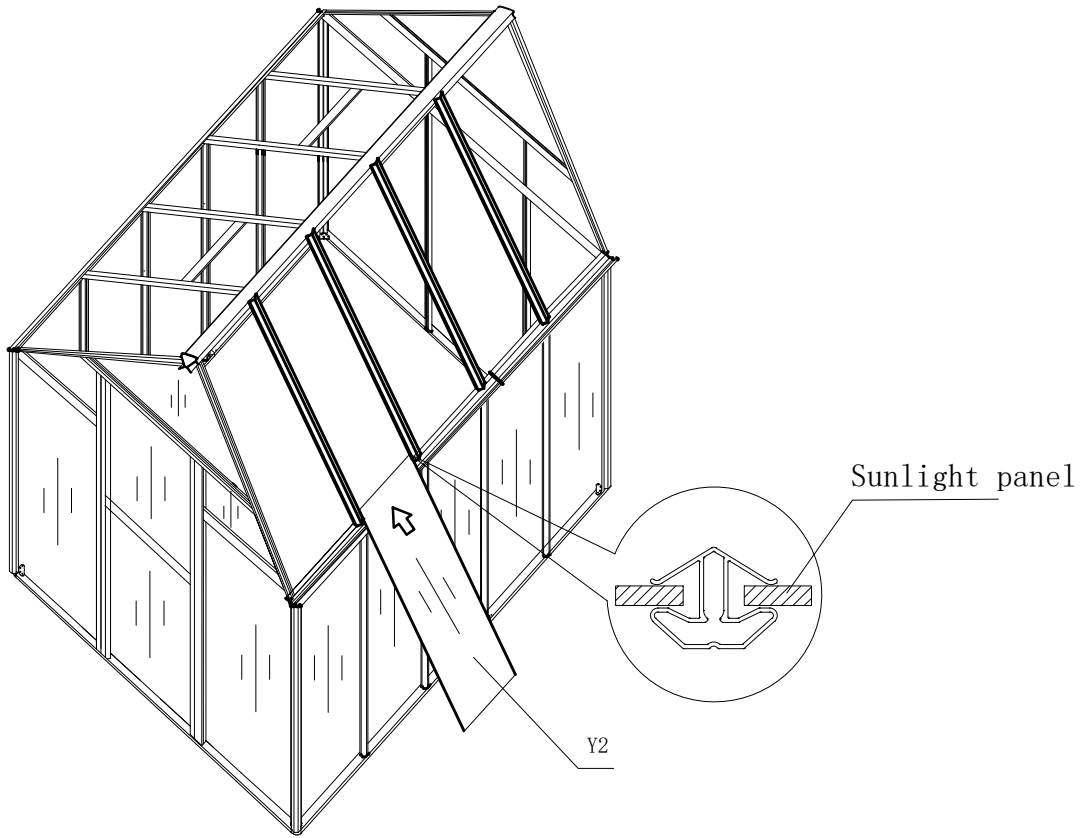
39

Connect bracing piece of Skylight Plastic Sheet X5 with Skylight Plastic Sheet Y10

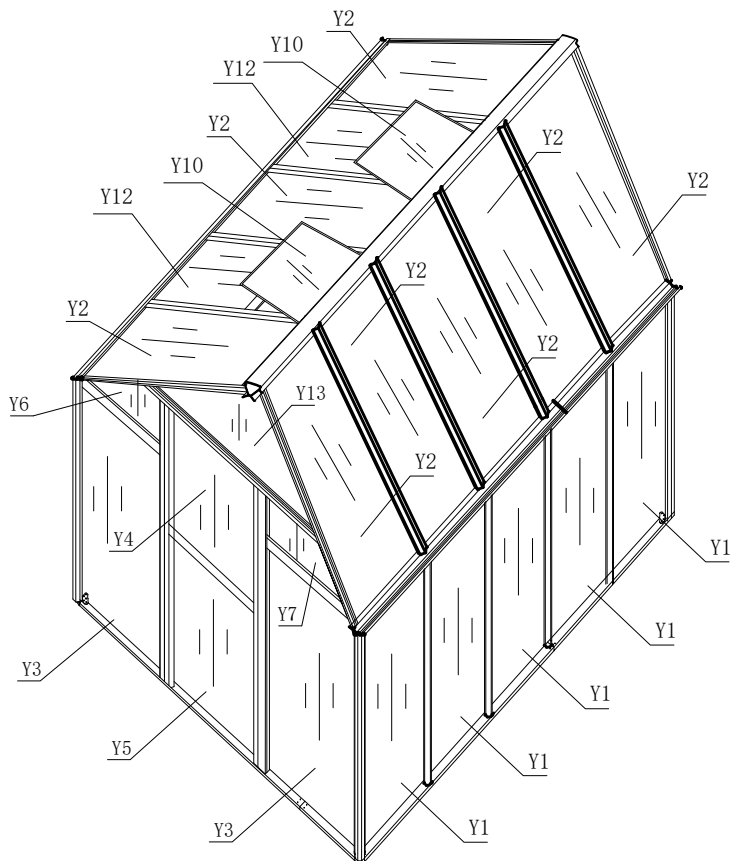


40

Insert skylight plastic panels Y2 in sequence

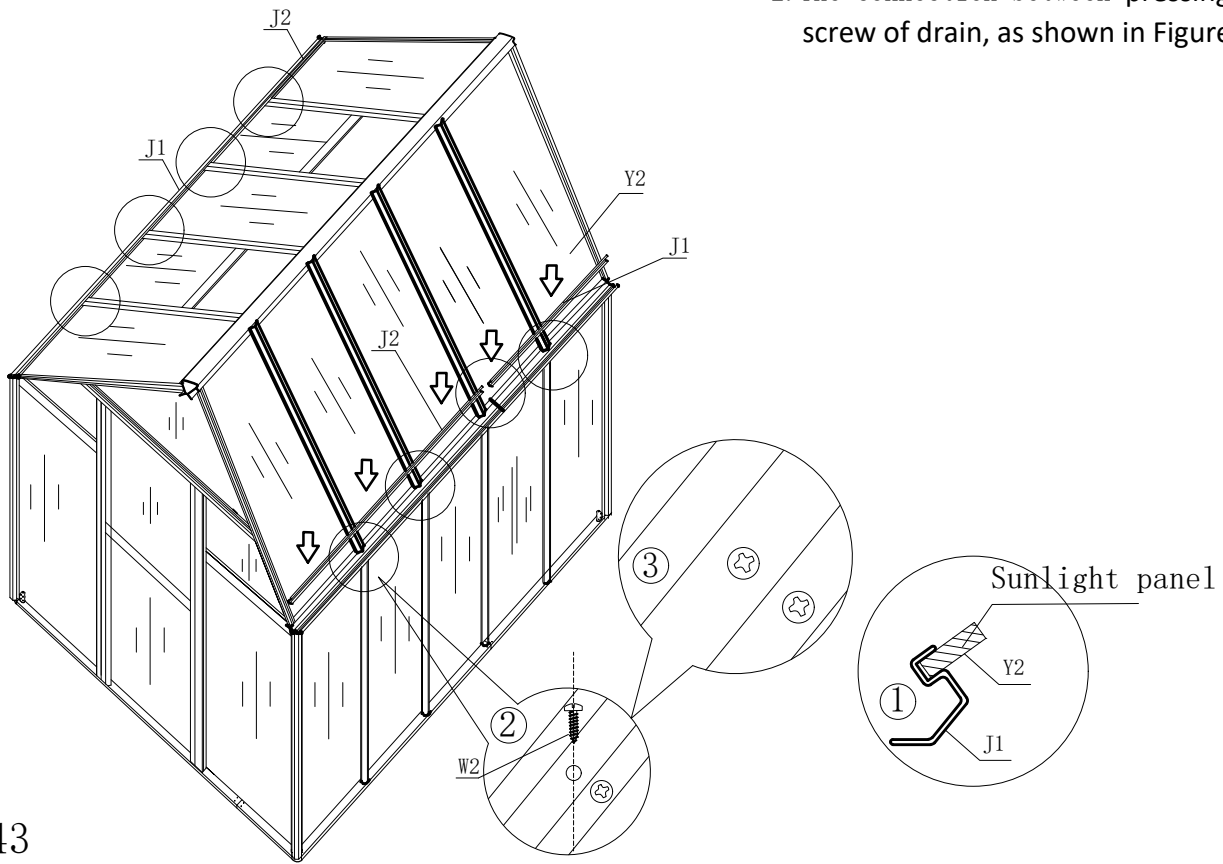


41



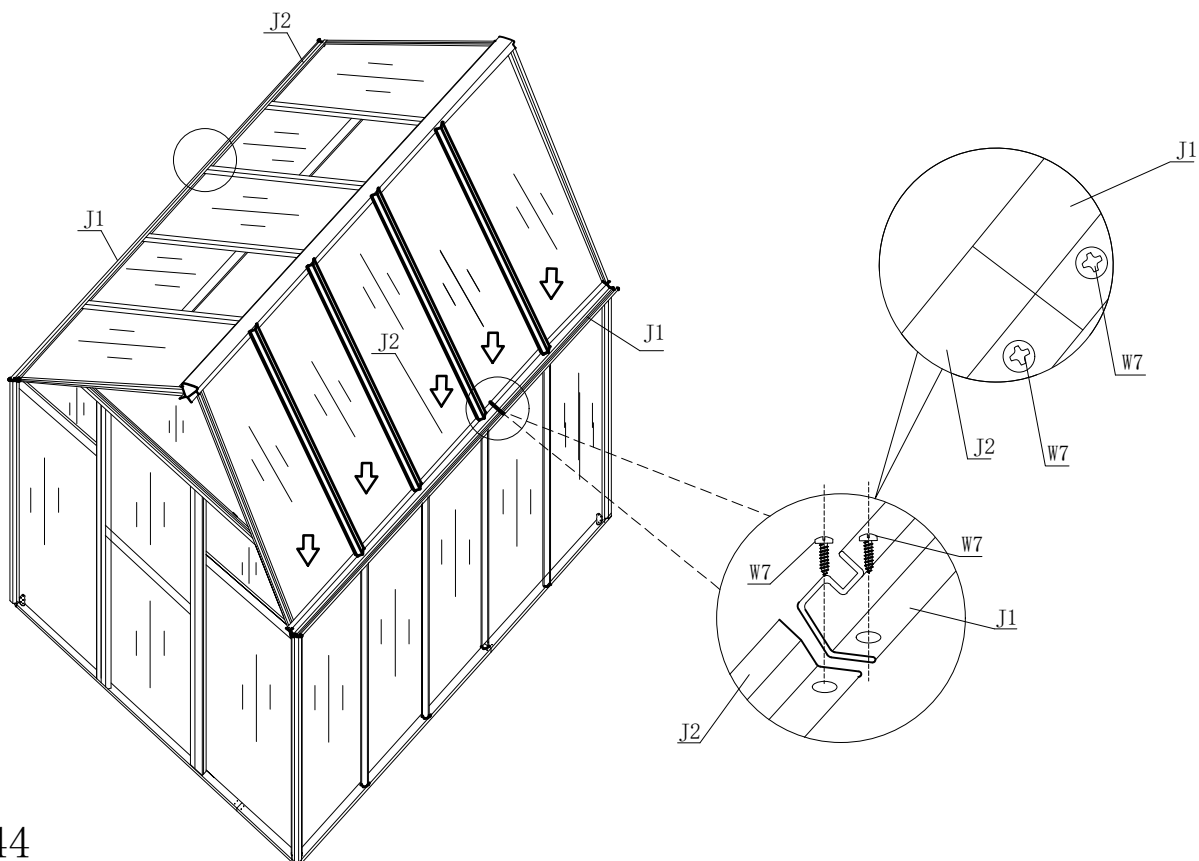
42

1. Insert pressing plate of drain into skylight plastic panel, as shown in Figure 1
2. The connection between pressing plate and screw of drain, as shown in Figure 2



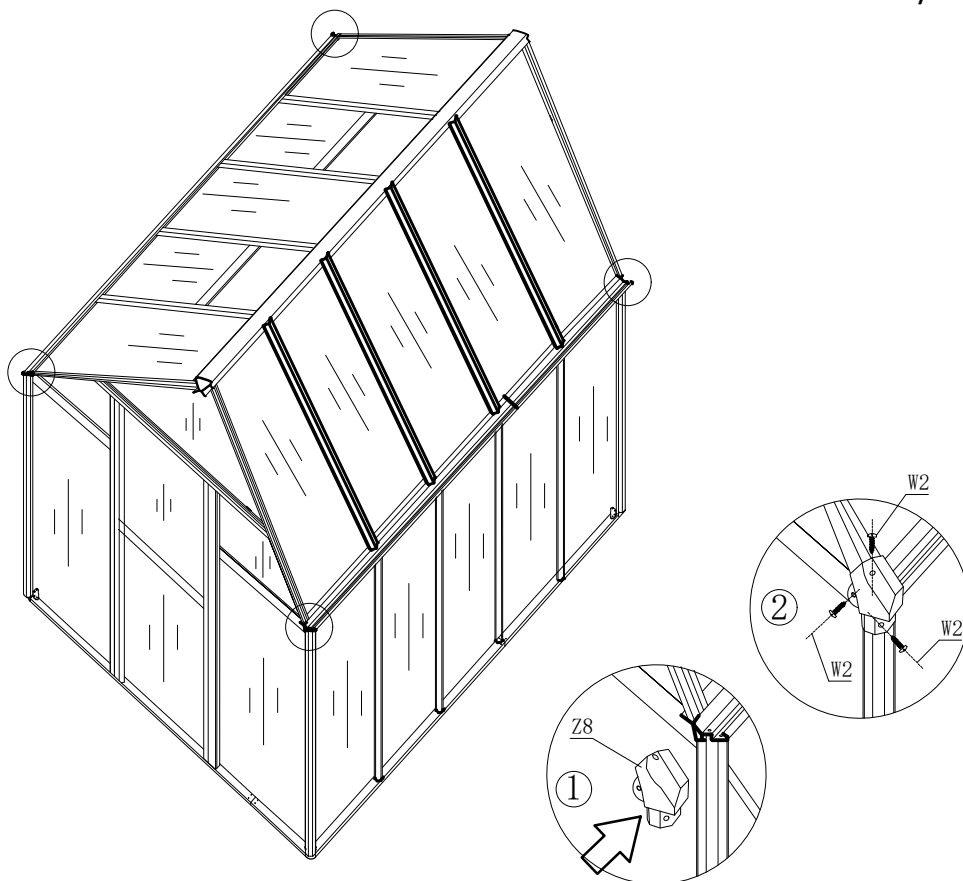
43

Connection of pressure plate and drainage ditch W7



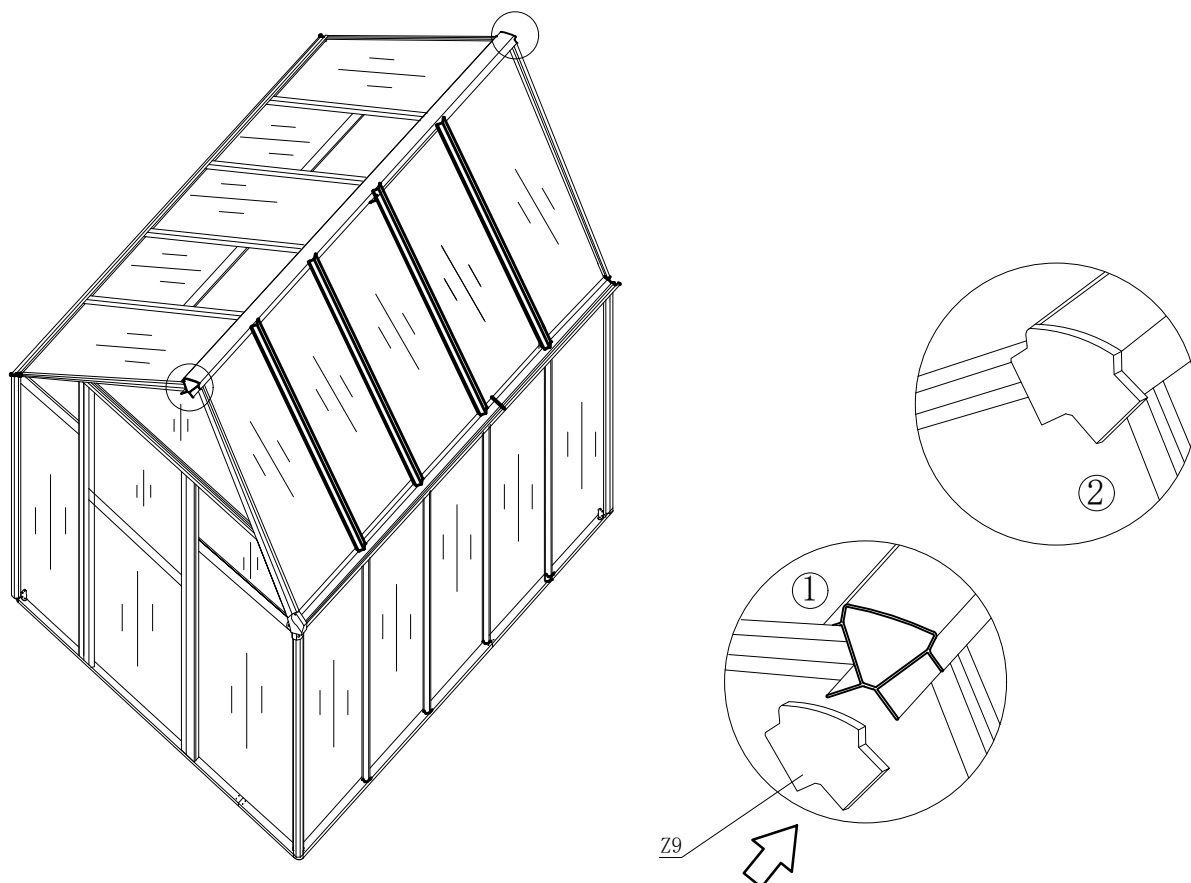
44

Fix the plugs onto drainage ditches at
the four corners by screws



45

Knock and fix two side plugs of
the top crossbeam



46

