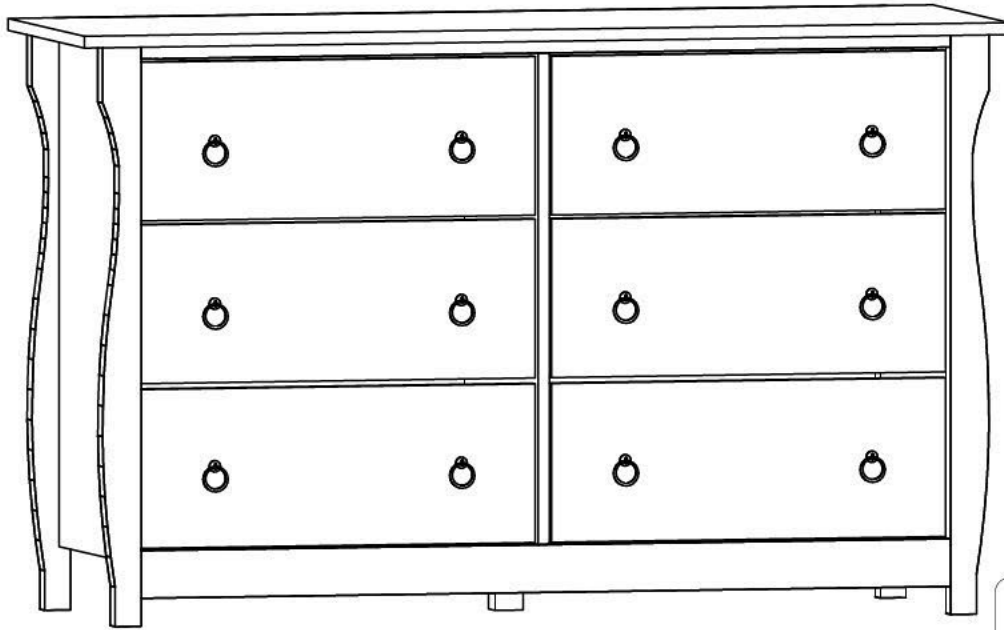



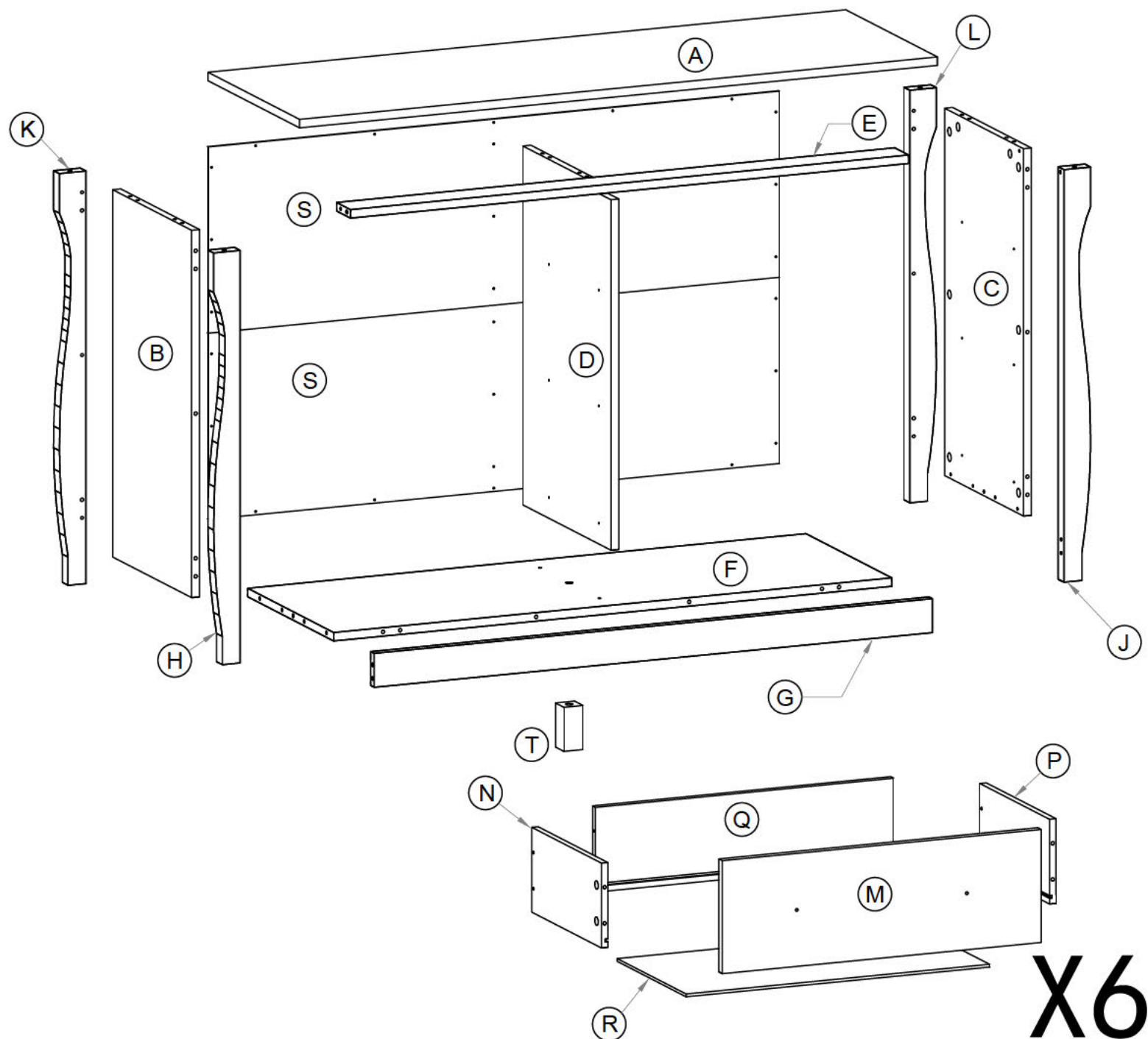


Assembly Instruction

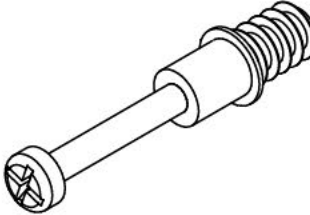

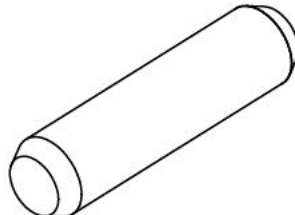


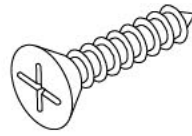
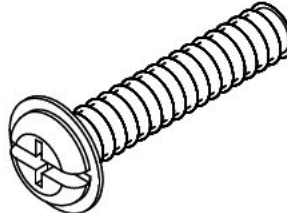
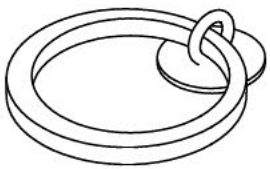
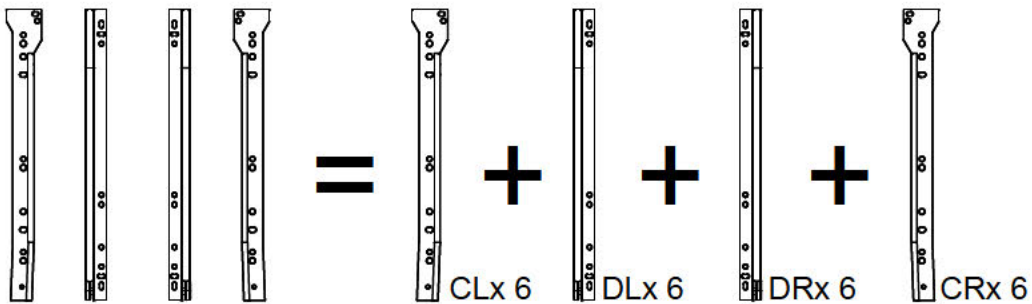



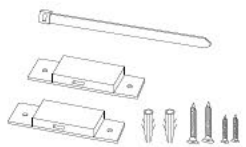
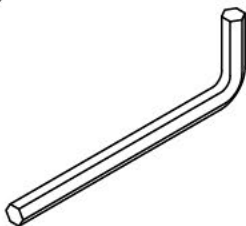


 Team
Assembly
Recommended

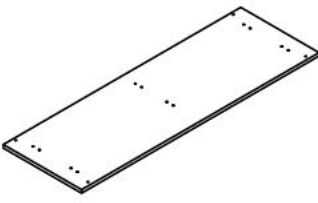
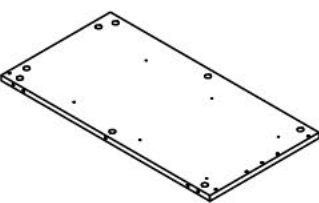
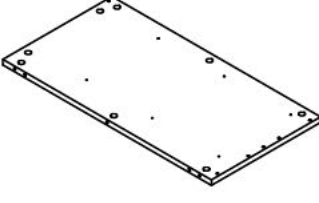
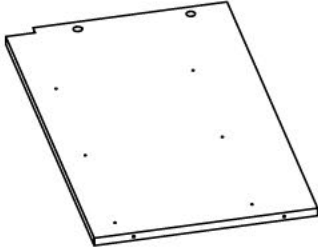
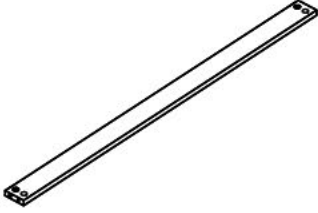
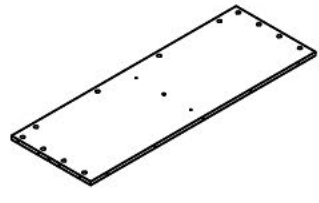

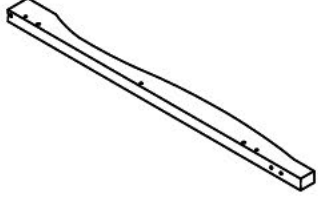
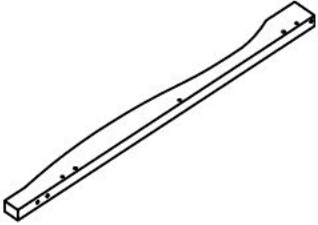
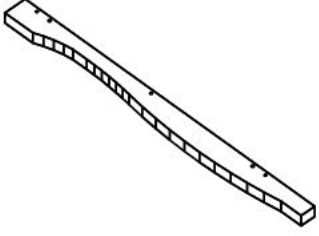
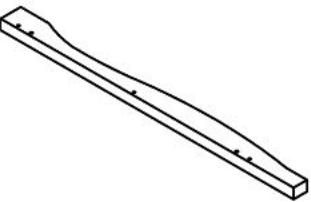
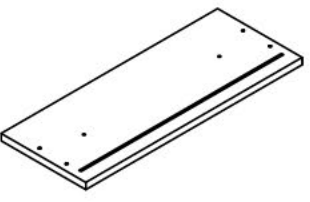
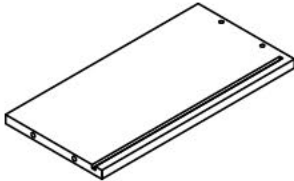
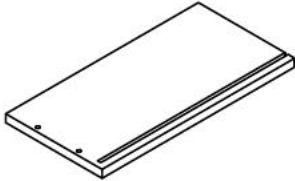
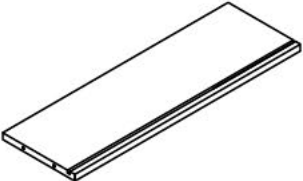
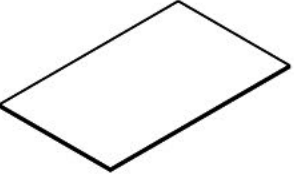
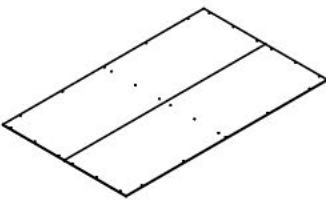
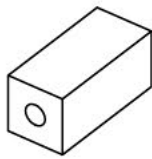
Part Nr.	Qty	Part Nr.	Qty	Part Nr.	Qty
A	1pcs	B	1pcs	C	1pcs
D	1pcs	E	1pcs	F	1pcs
G	1pcs	H	1pcs	J	1pcs
K	1pcs	L	1pcs	M	6pcs
N	6pcs	P	6pcs	Q	6pcs
R	6pcs	S	1pcs		



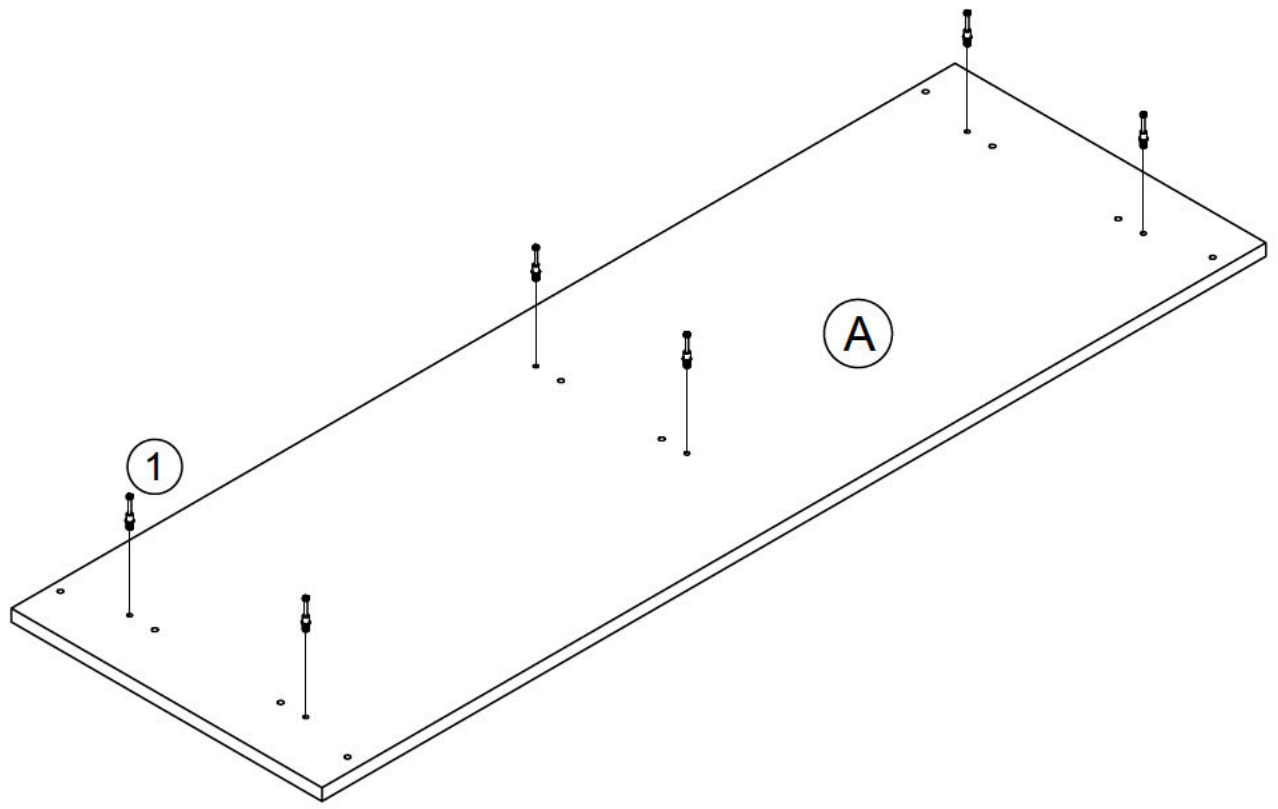
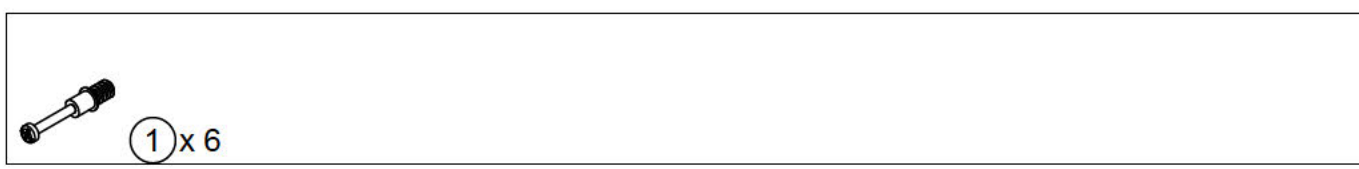
HARDWARE LIST

<p>① x 62</p> 	<p>② x 62</p> 	<p>③ x 22</p>  <p>6X30mm</p>	<p>④ x 26</p>  <p>D5x40mm</p>
<p>⑤ x 28</p>  <p>M3.5X12mm</p>	<p>⑥ x 48</p>  <p>Ø3.5X12mm</p>	<p>⑦ x 12</p>  <p>M4x18mm</p>	<p>⑧ x 12</p> 
<p>⑨ x 6</p>  <p>CLx 6 DLx 6 DRx 6 CRx 6</p>			
<p>⑩ x 1</p>  <p>M6x23mm</p>	<p>⑪ x 1</p>  <p>3#</p>	<p>⑫ x 1</p> 	<p>⑬ x 2</p> 
<p>⑭ x 1</p>  <p>4#</p>			

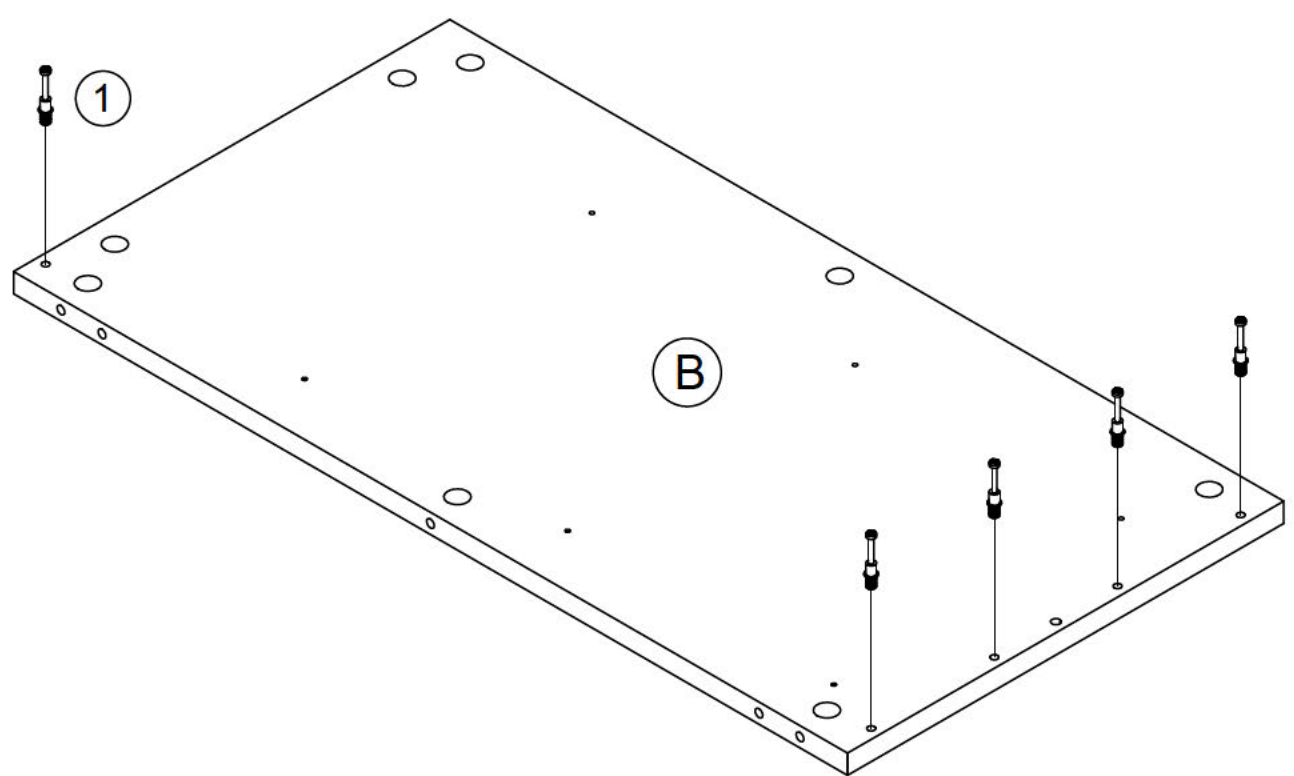
HARDWARE LIST

<p>(A) x 1</p> 	<p>(B) x 1</p> 	<p>(C) x 1</p> 	<p>(D) x 1</p> 
<p>(E) x 1</p> 	<p>(F) x 1</p> 	<p>(G) x 1</p> 	<p>(H) x 1</p> 
<p>(J) x 1</p> 	<p>(K) x 1</p> 	<p>(L) x 1</p> 	<p>(M) x 6</p> 
<p>(N) x 6</p> 	<p>(P) x 6</p> 	<p>(Q) x 6</p> 	<p>(R) x 6</p> 
<p>(S) x 1</p> 	<p>(T) x 1</p> 		

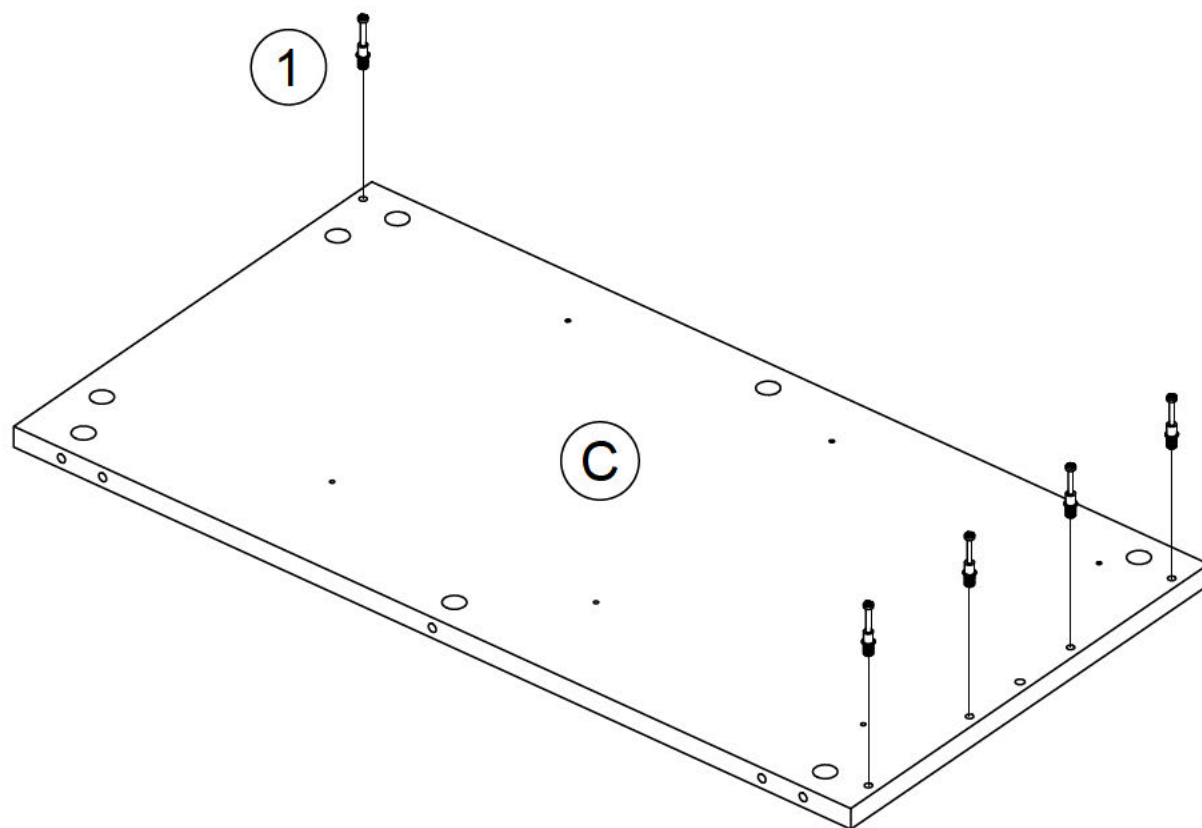
1



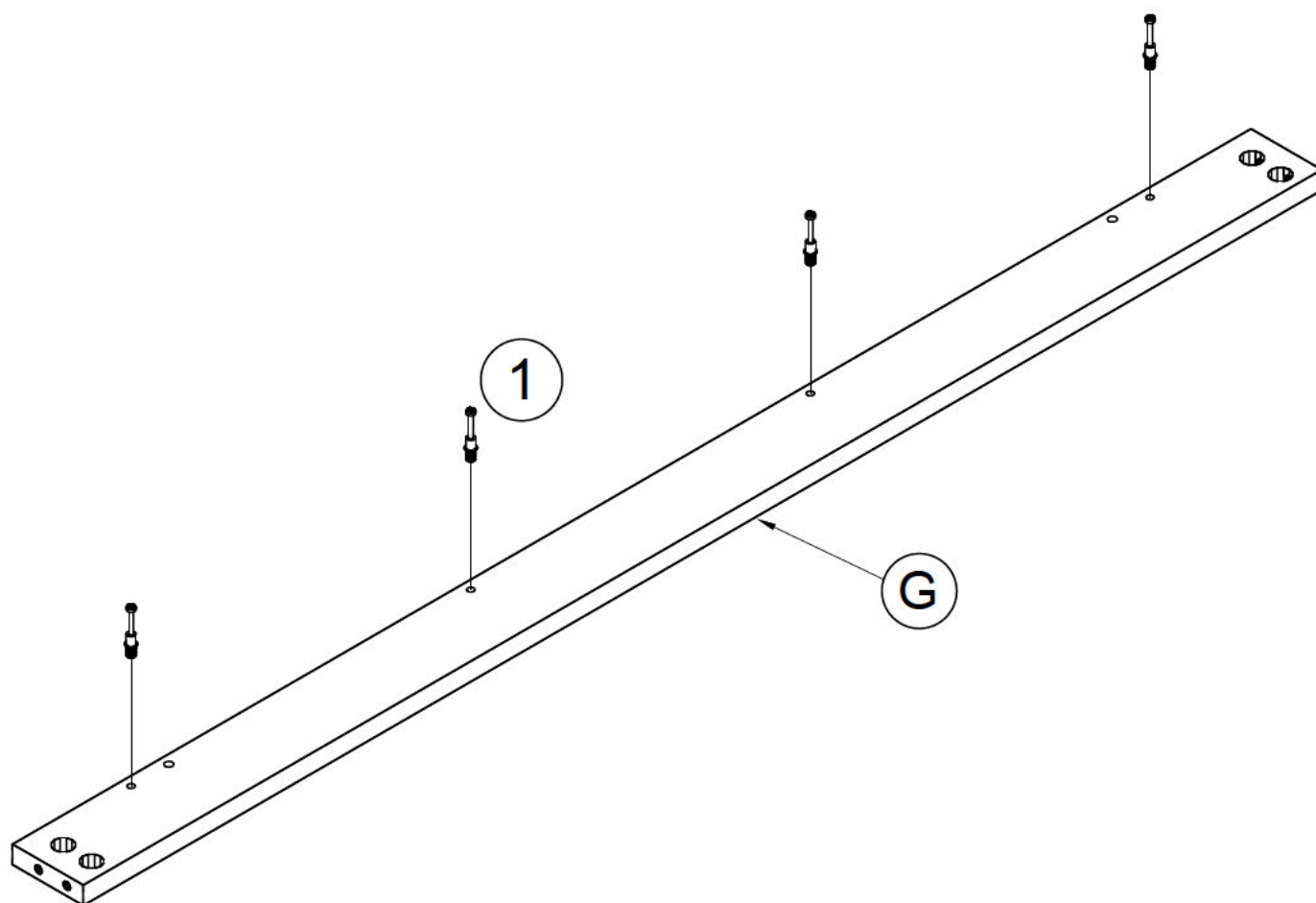
2



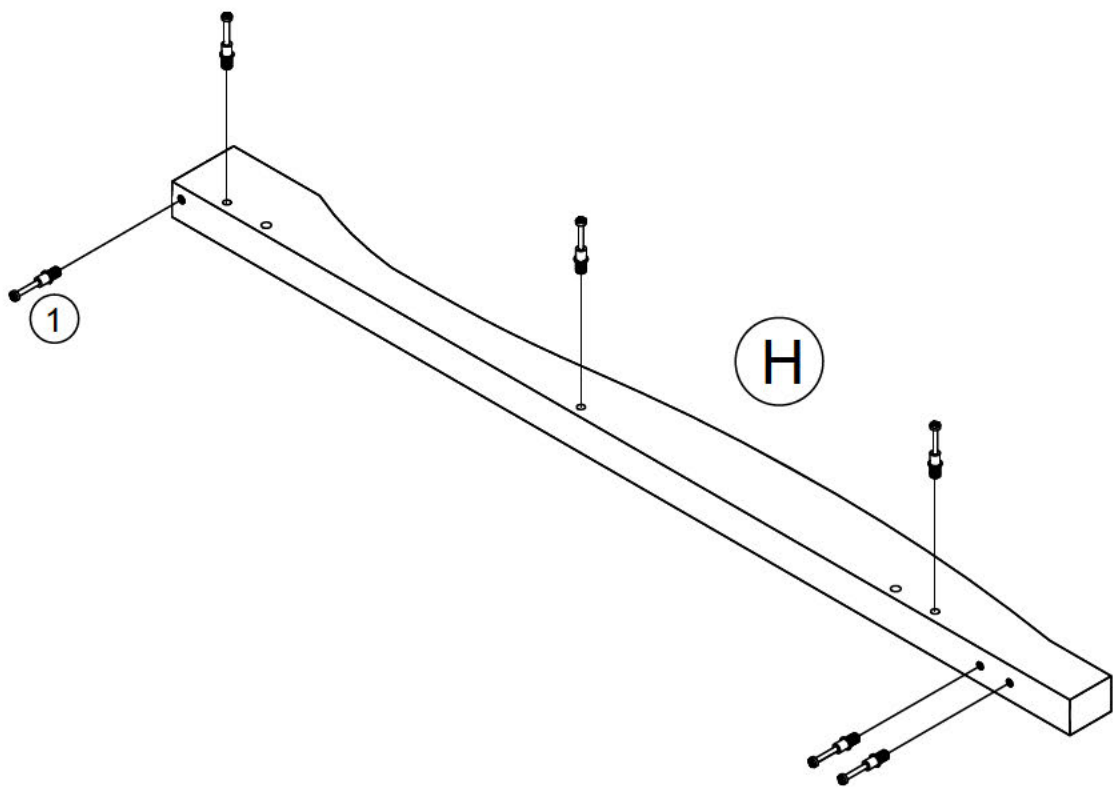
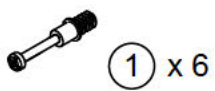
3



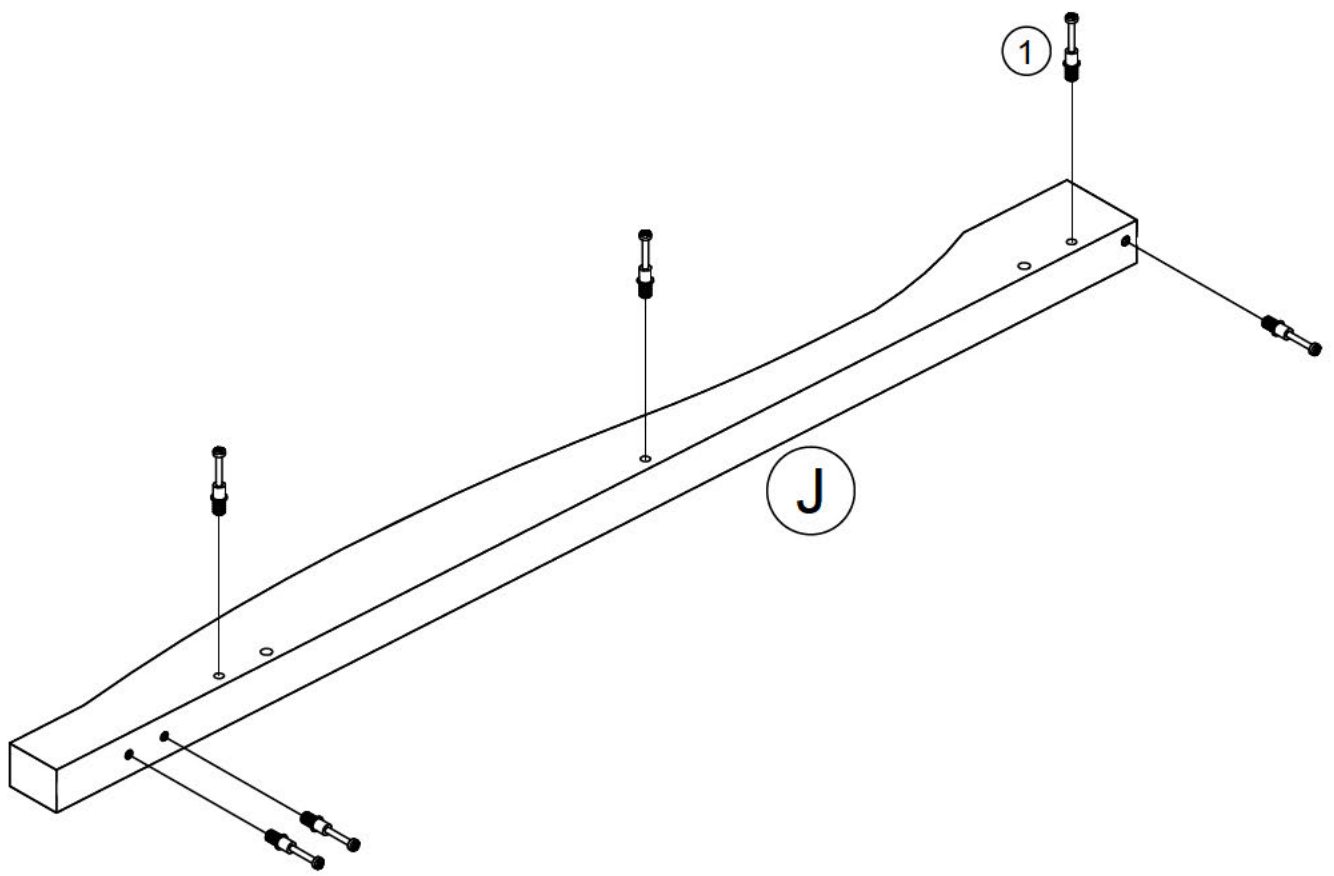
4



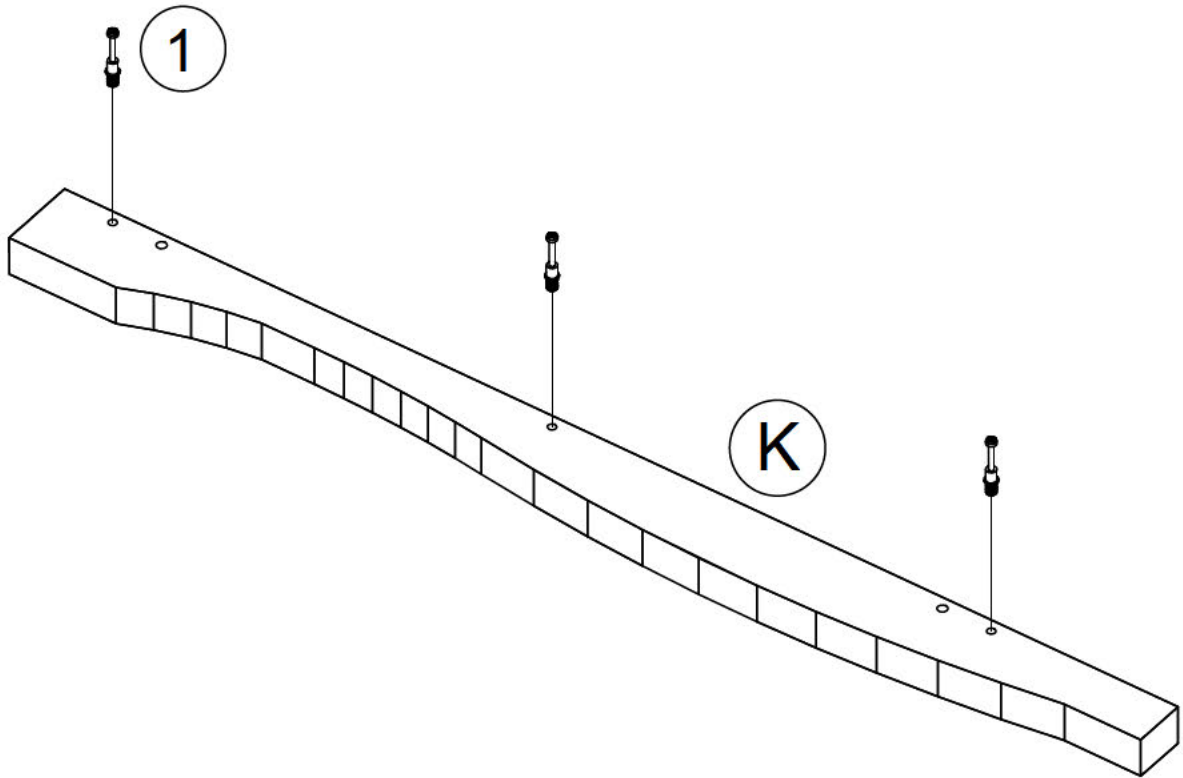
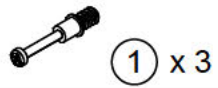
5



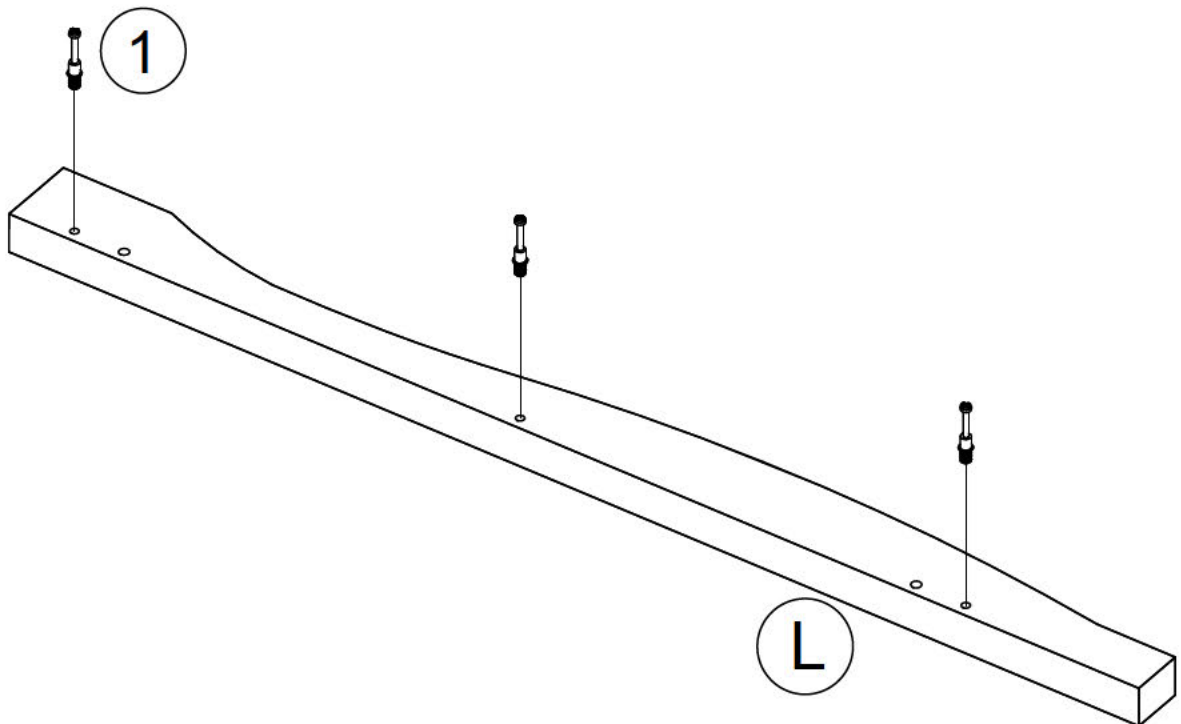
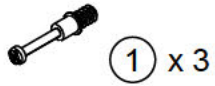
6



7



8



9

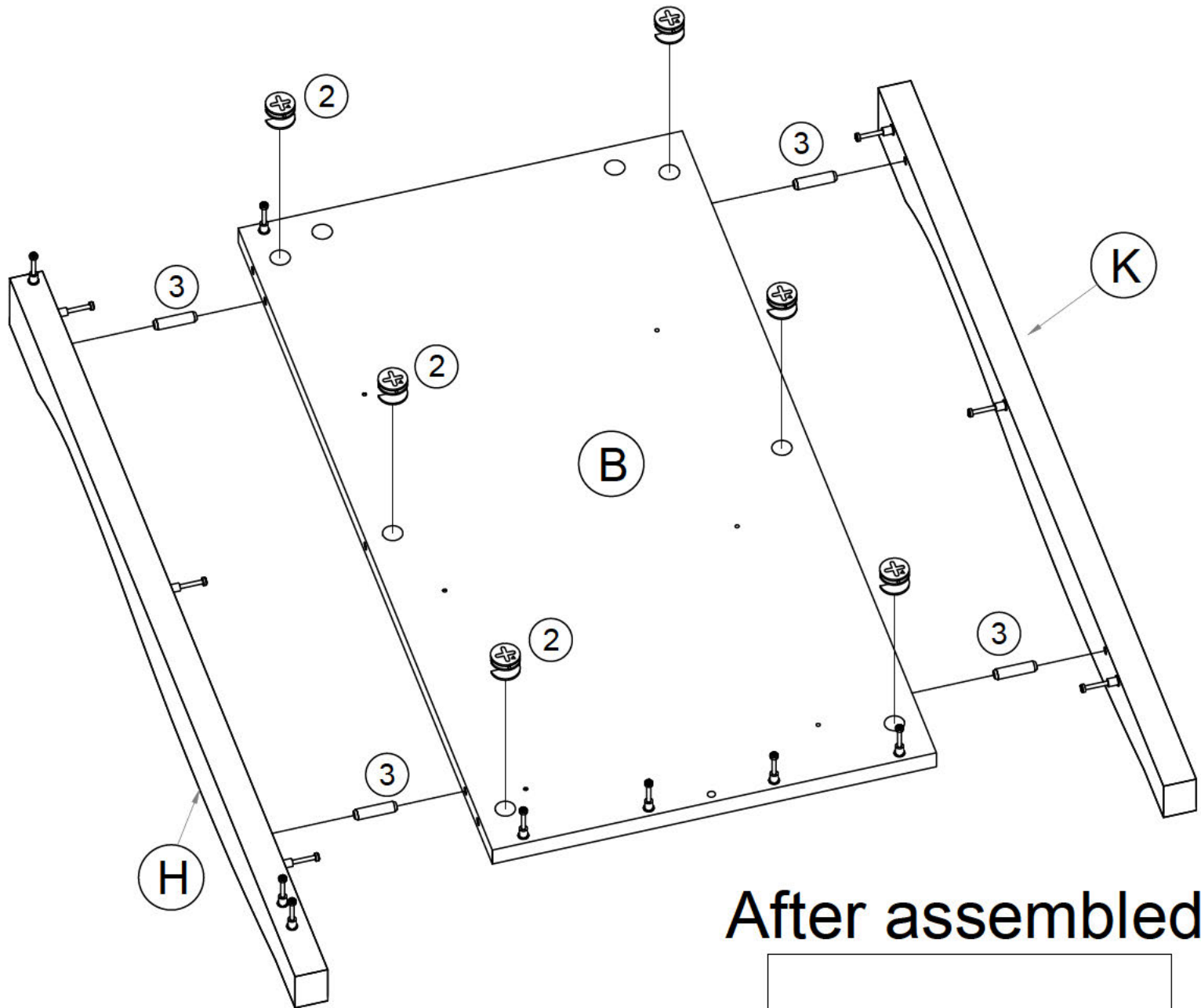
6X30MM



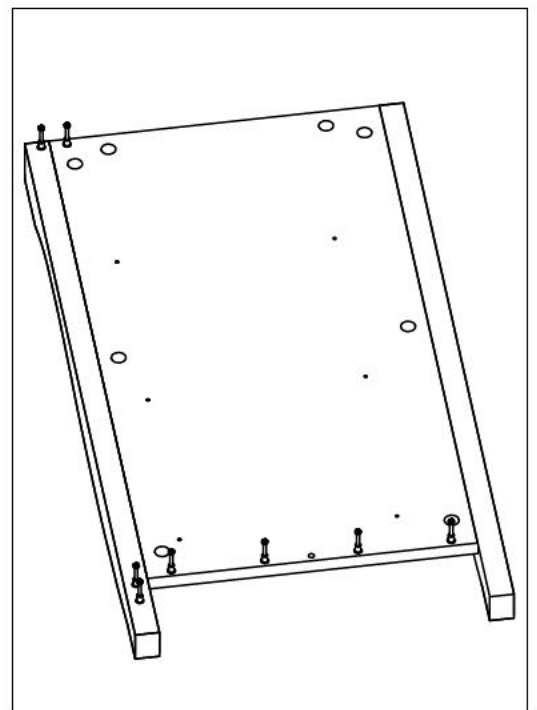
2 x 6



3 x 4

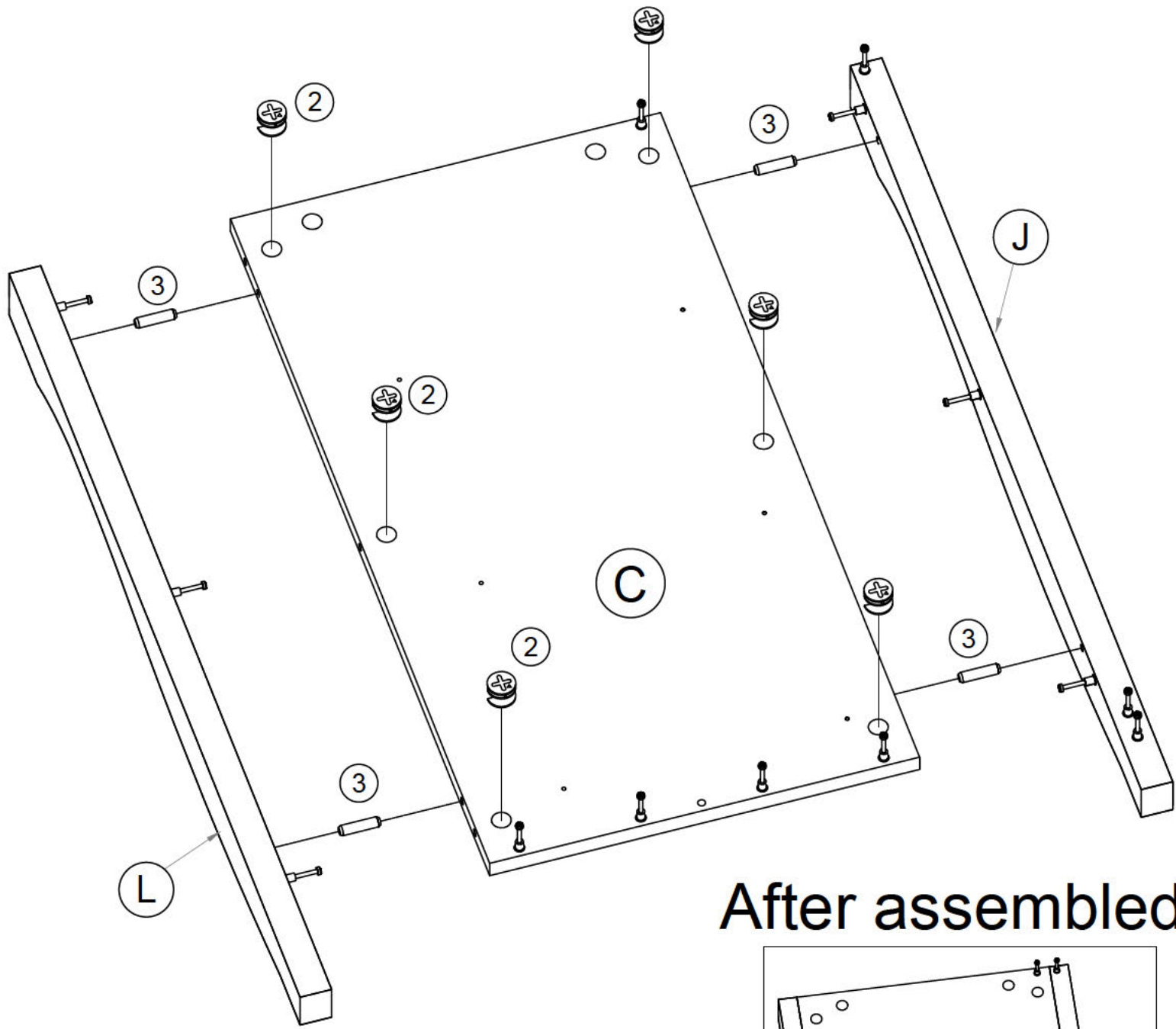
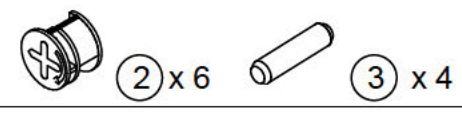


After assembled

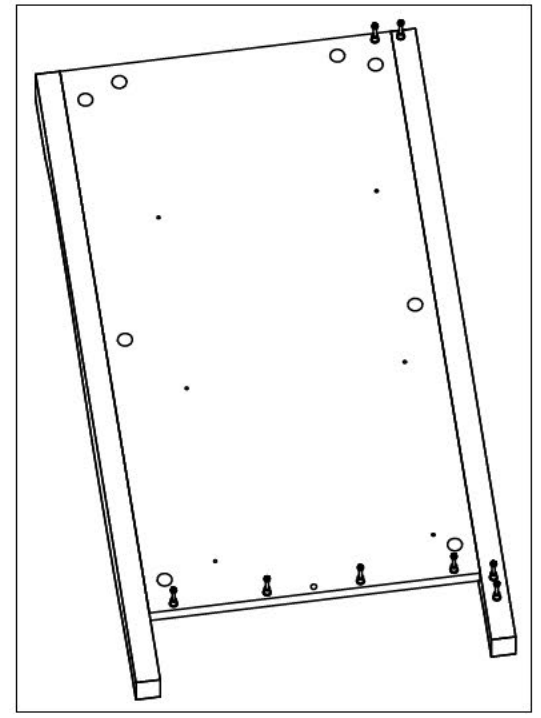


10

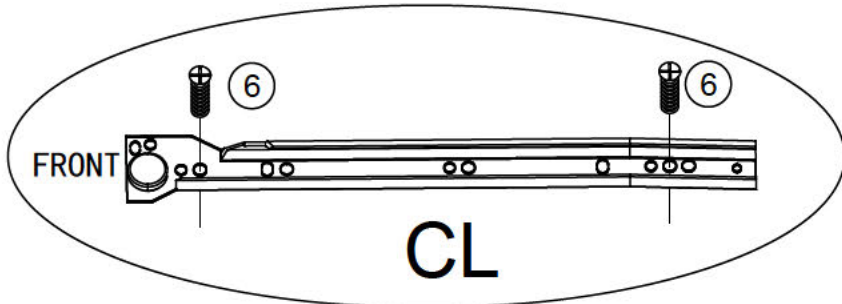
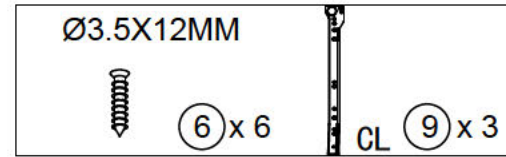
6X30MM



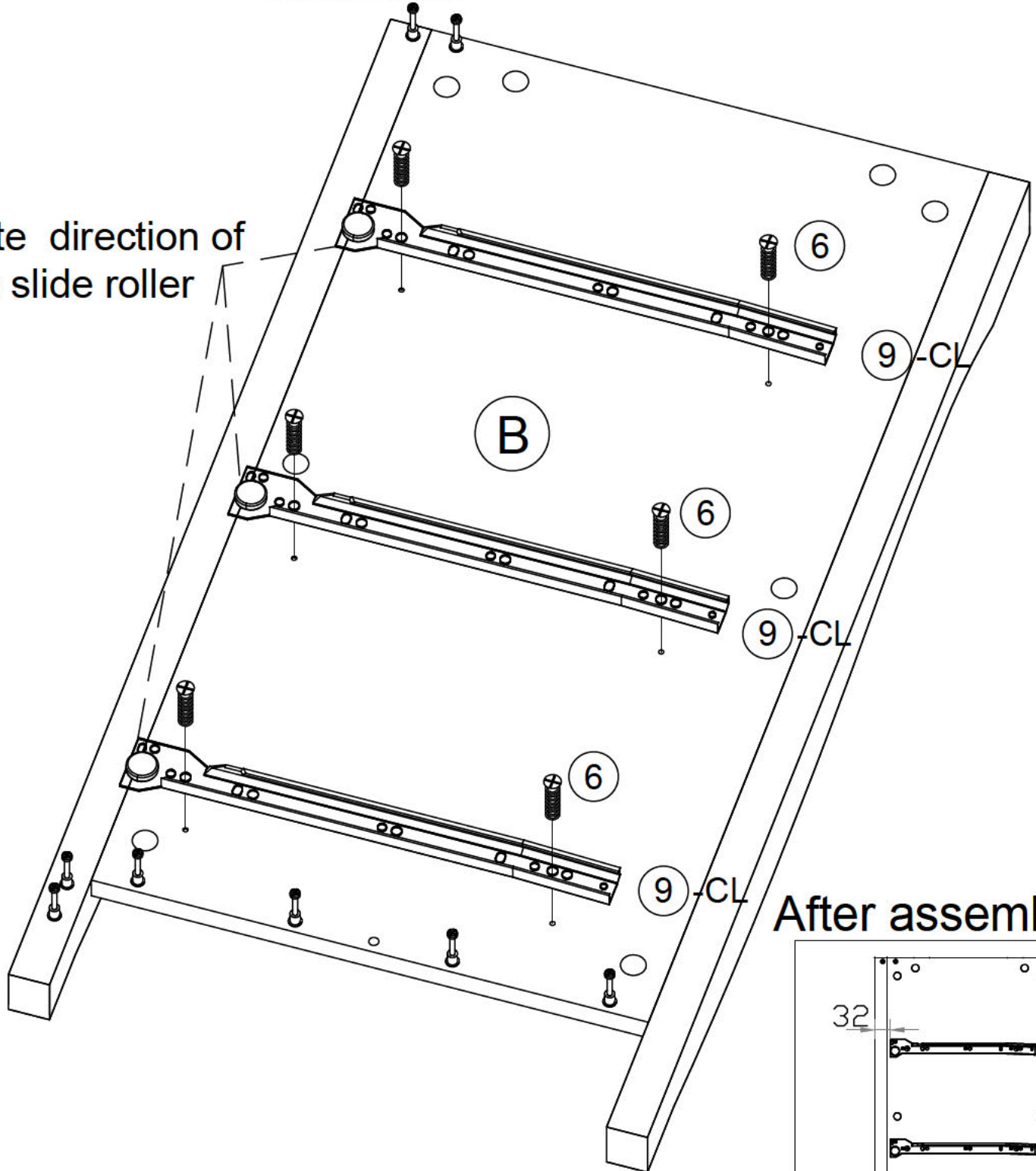
After assembled



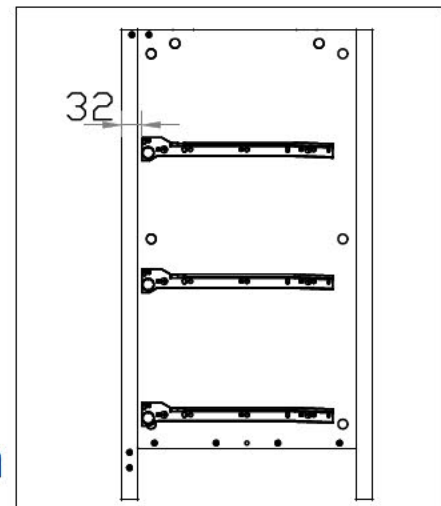
11



Note direction of the slide roller

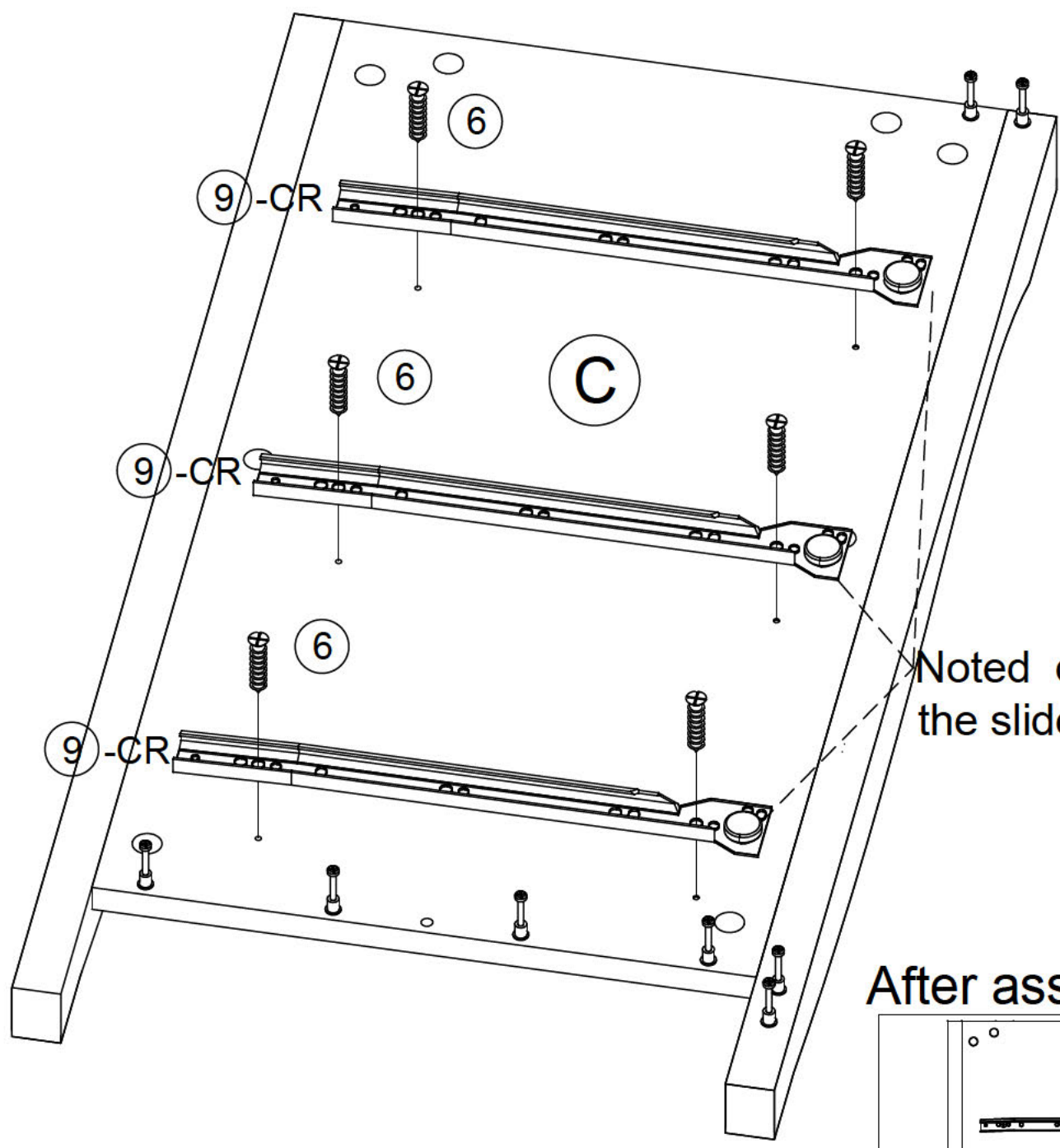
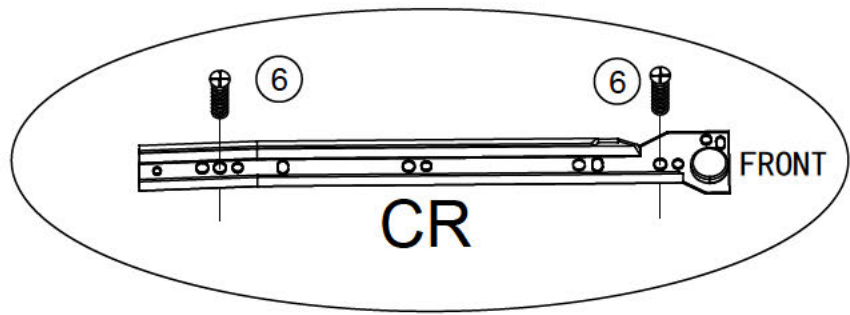
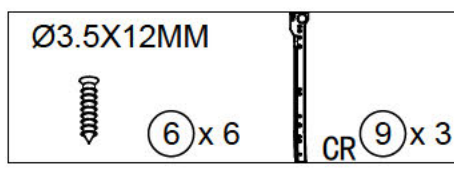


After assembled

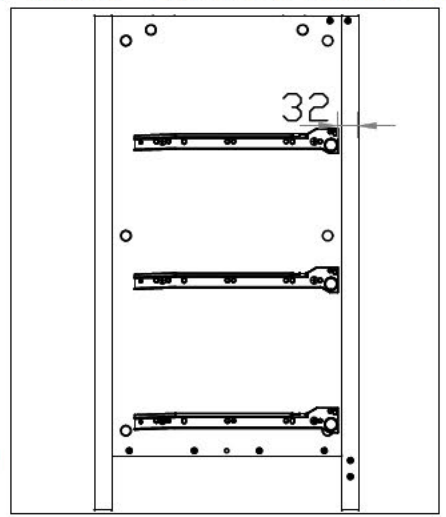


Noted the distance of glide to edge is 32mm

12

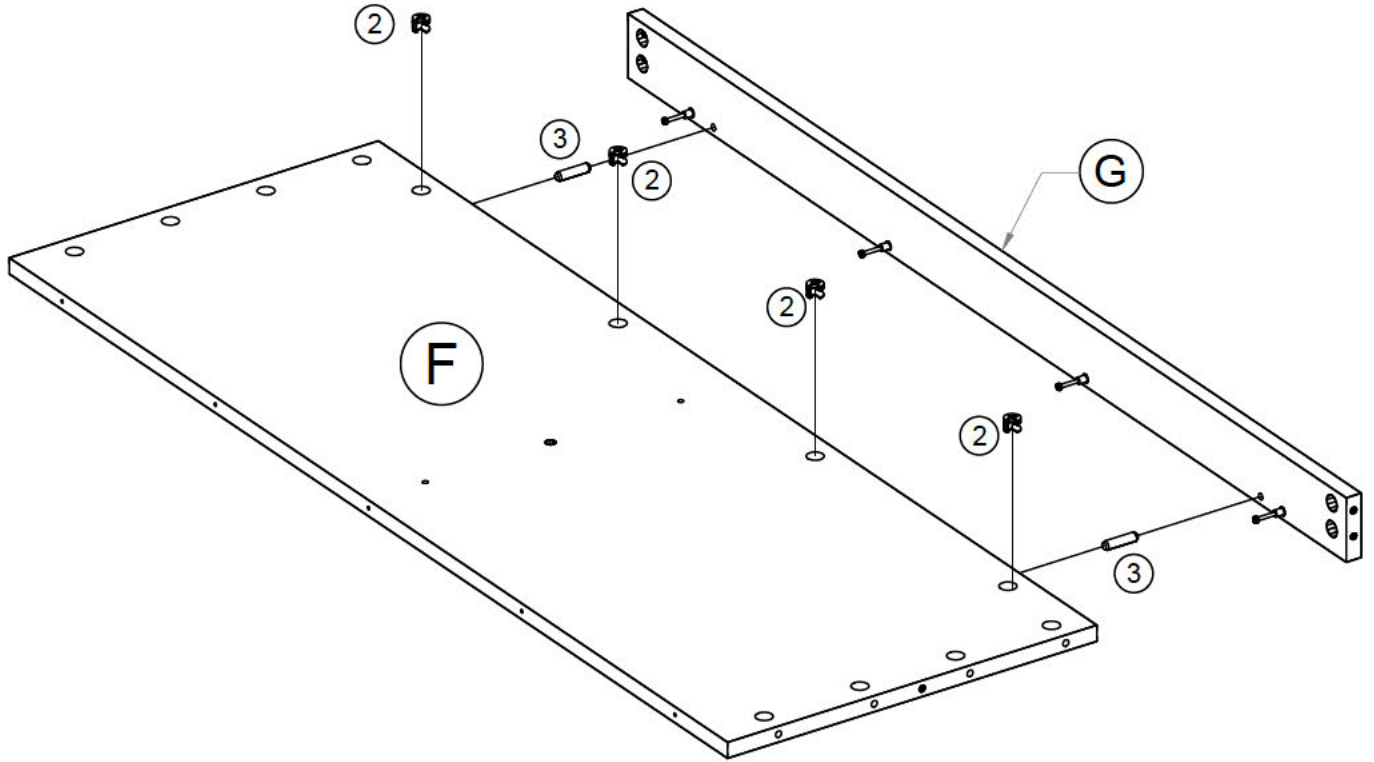
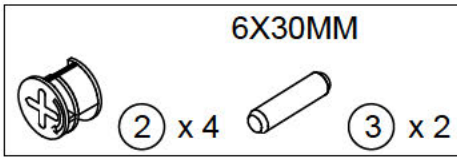


After assembled

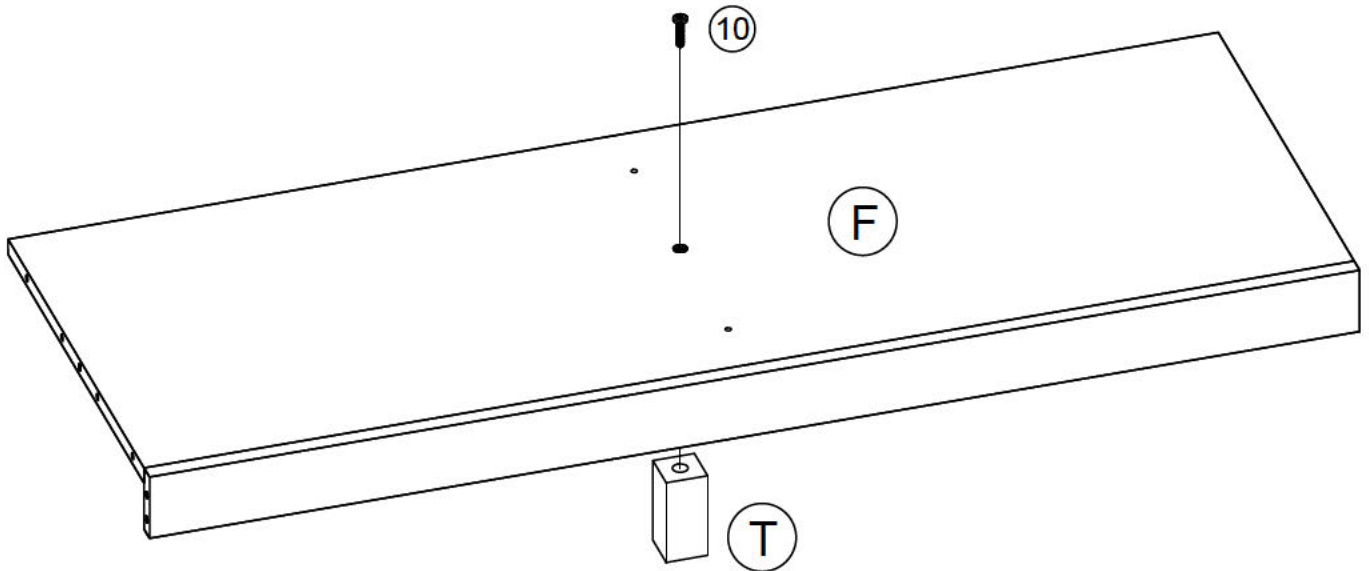


Noted the distance of glide to edge is 32mm

14



15



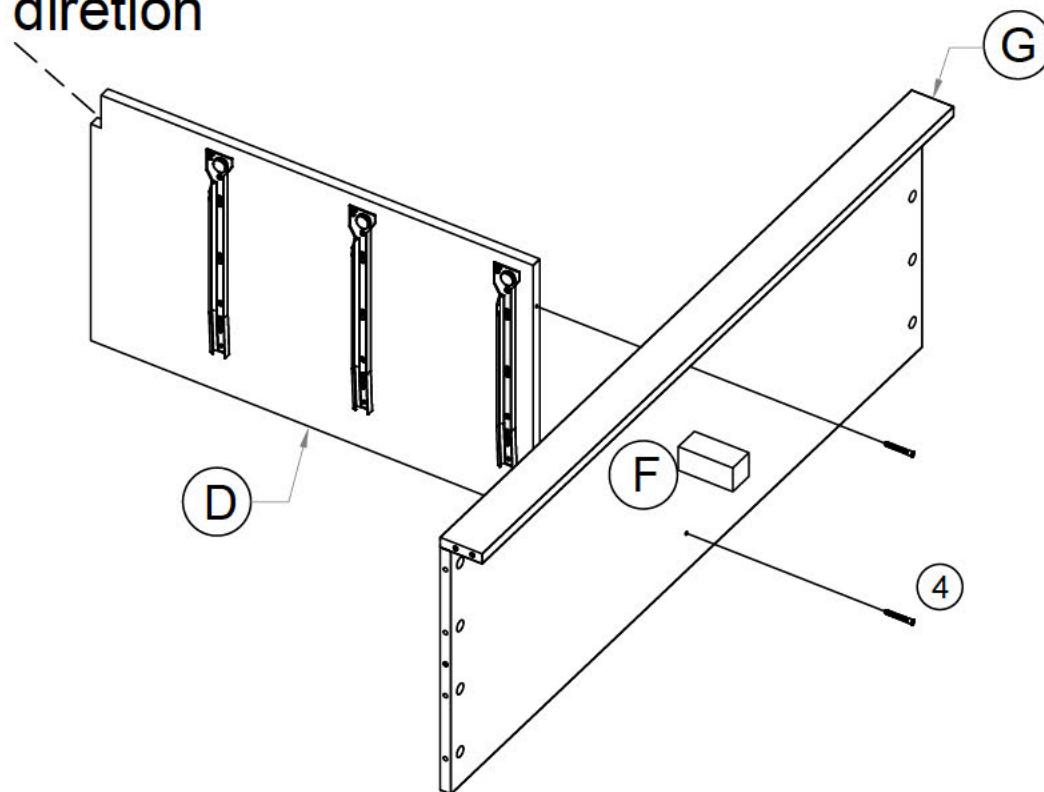
16

D5X40MM



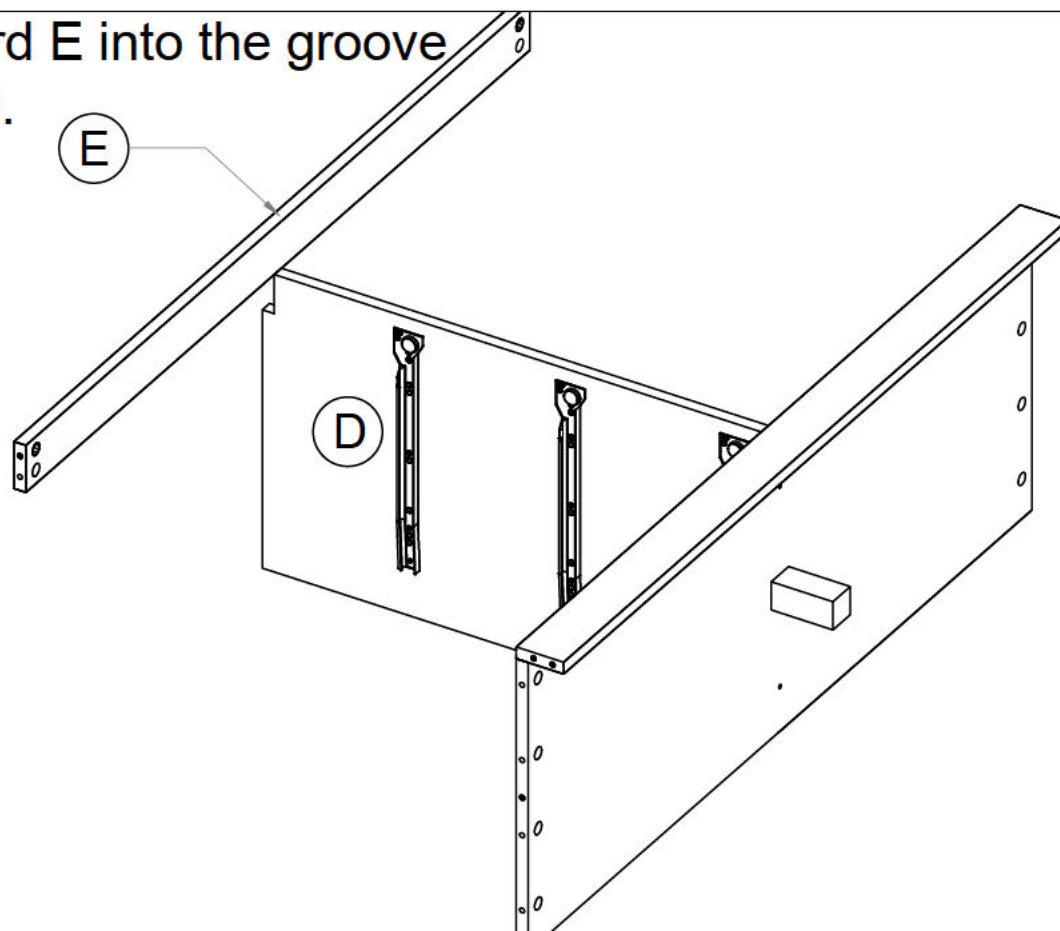
④ x 2

Noted direction

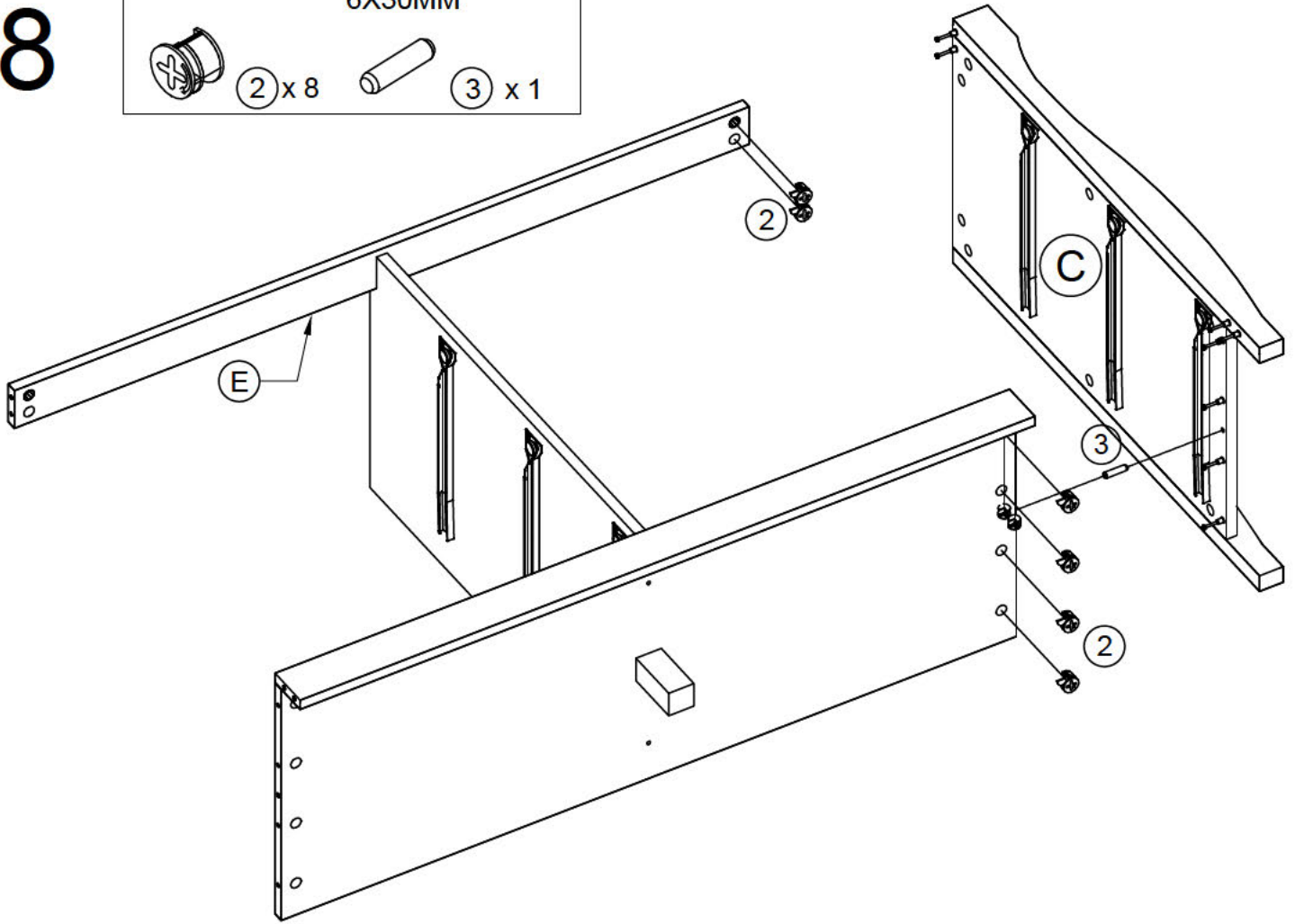
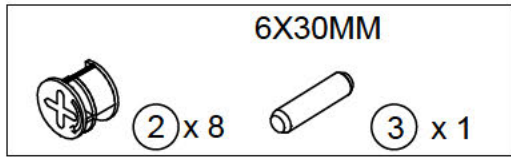


17

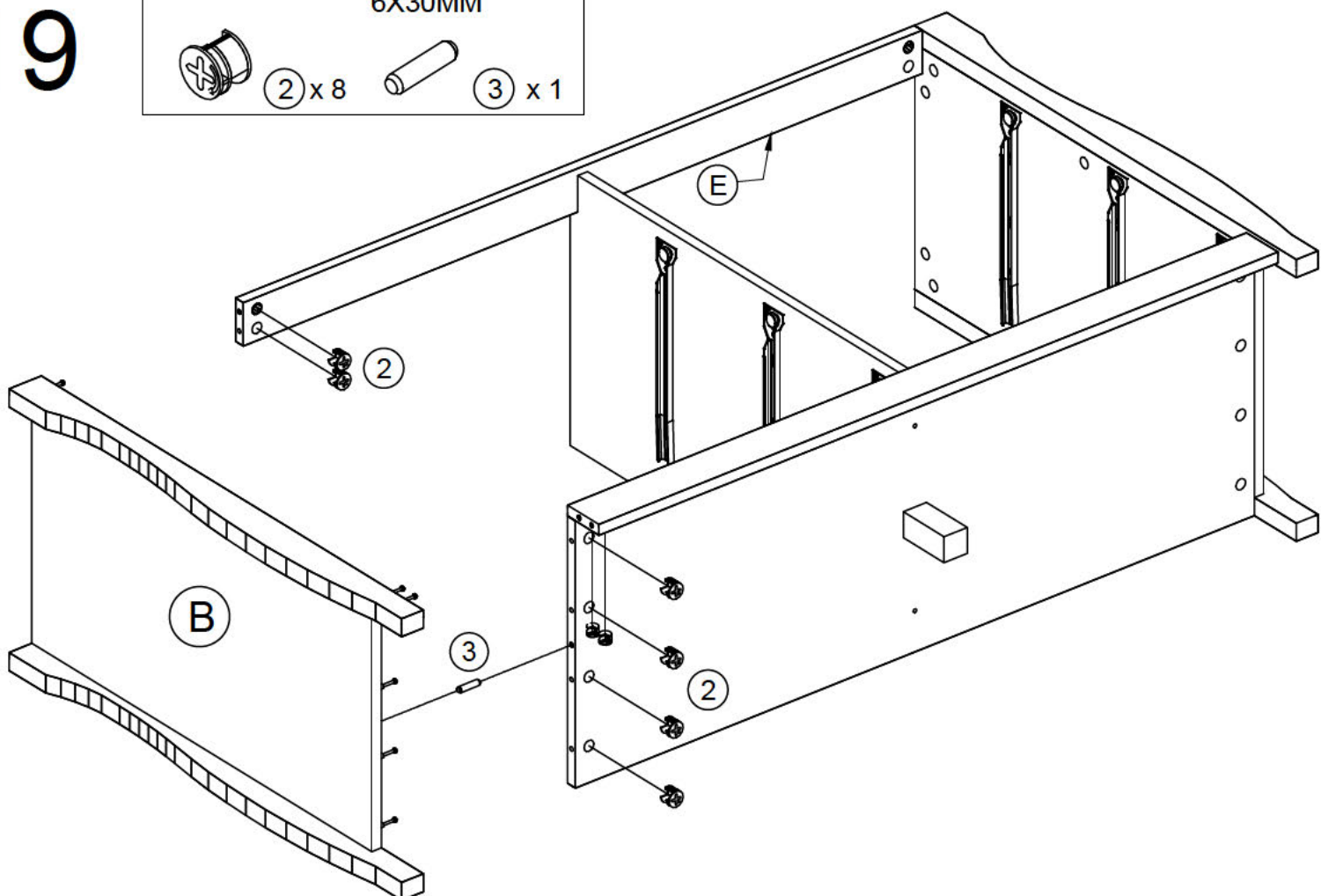
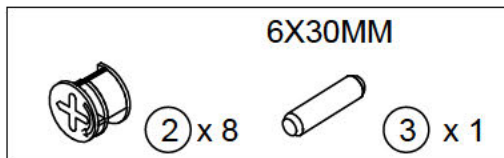
Place board E into the groove of board D.



18

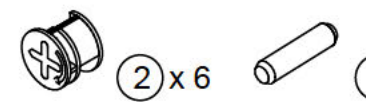


19

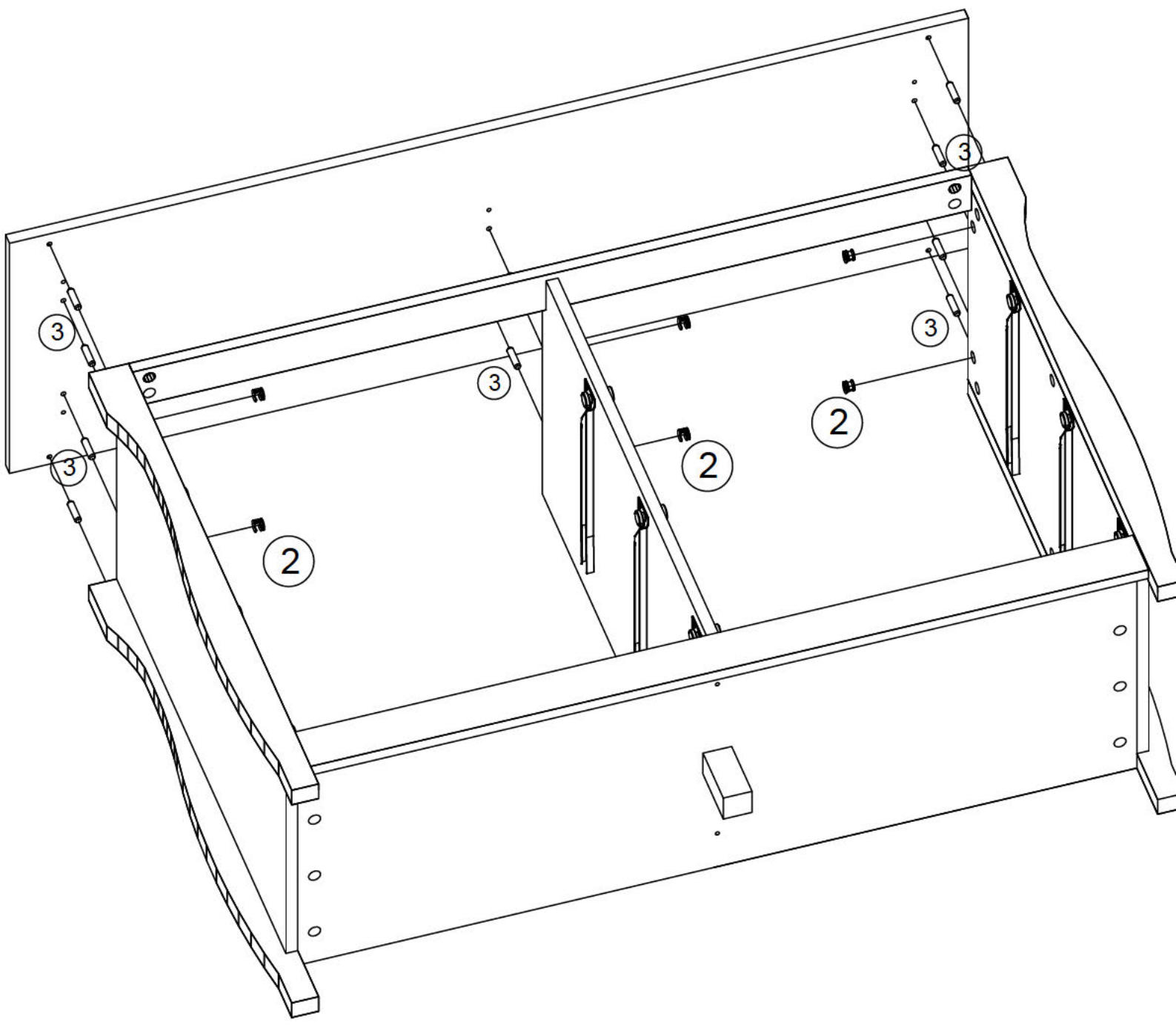


20

6X30MM



(2) x 6 (3) x 10



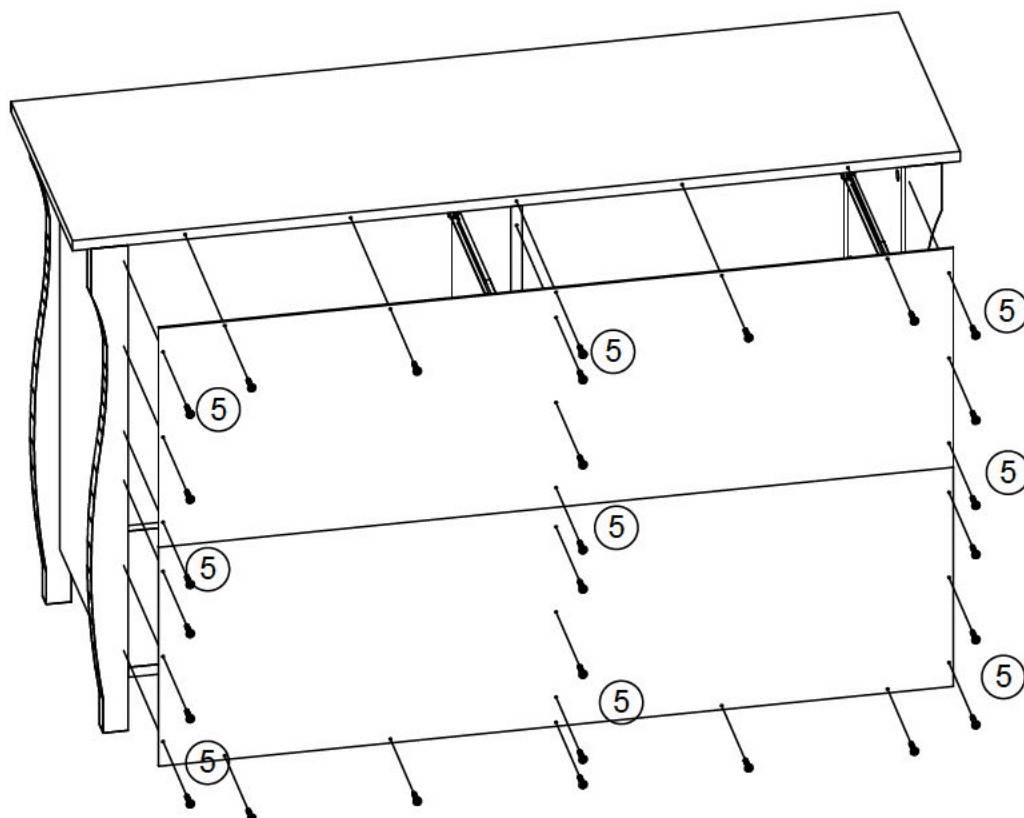
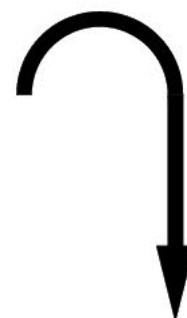
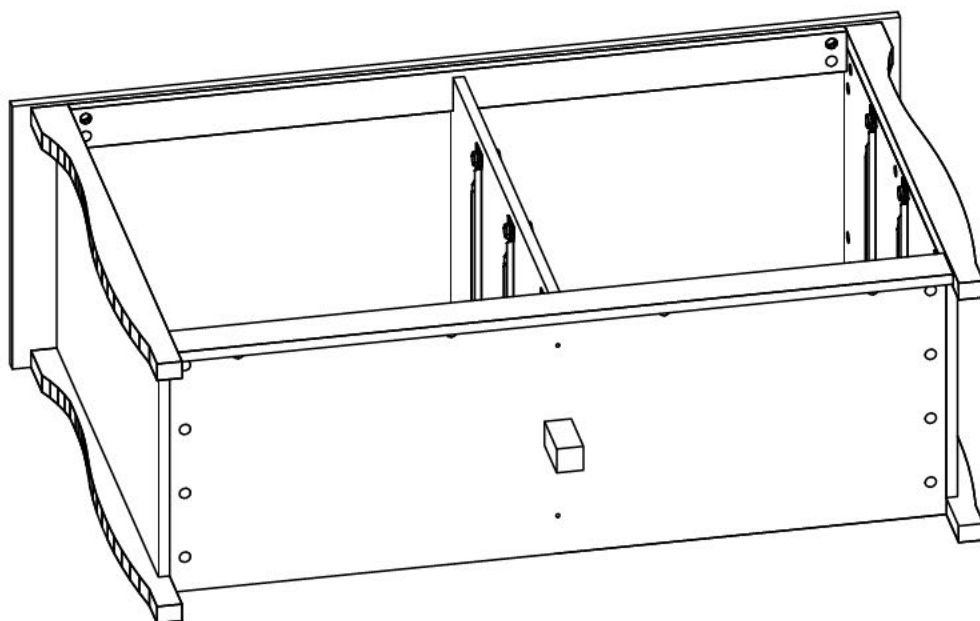
21

M3.5X12MM



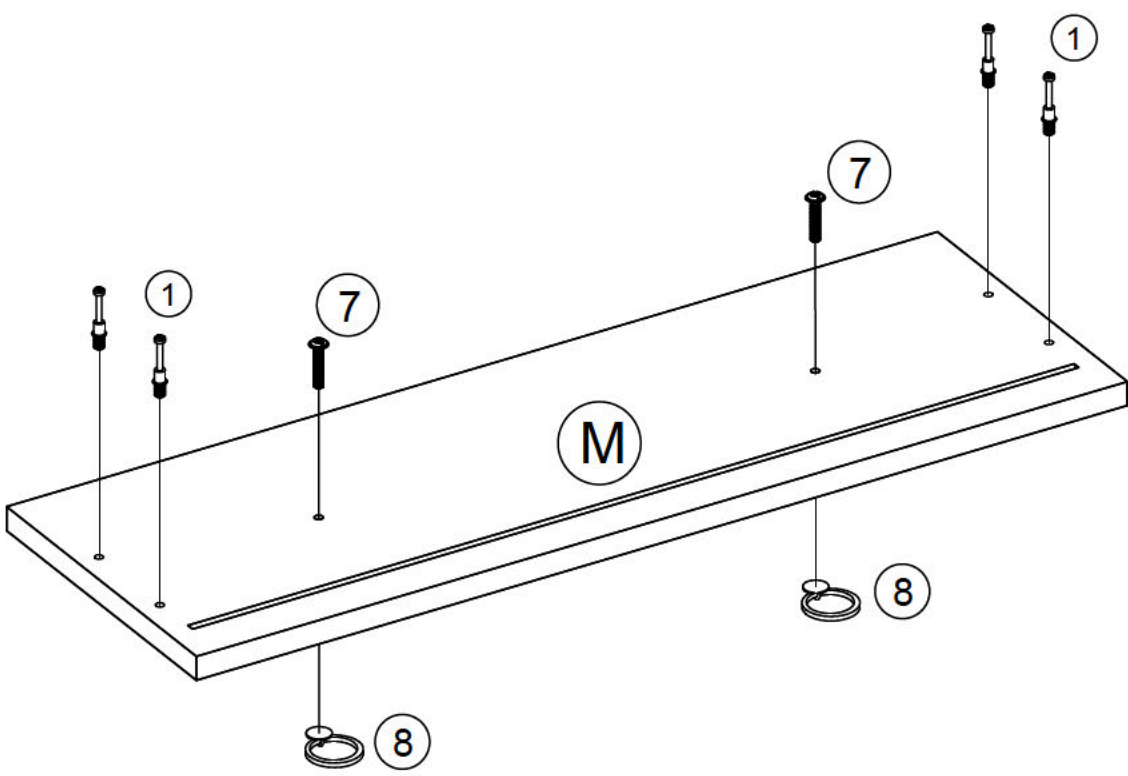
⑤ x 28

Pls careful to stand up the product



22

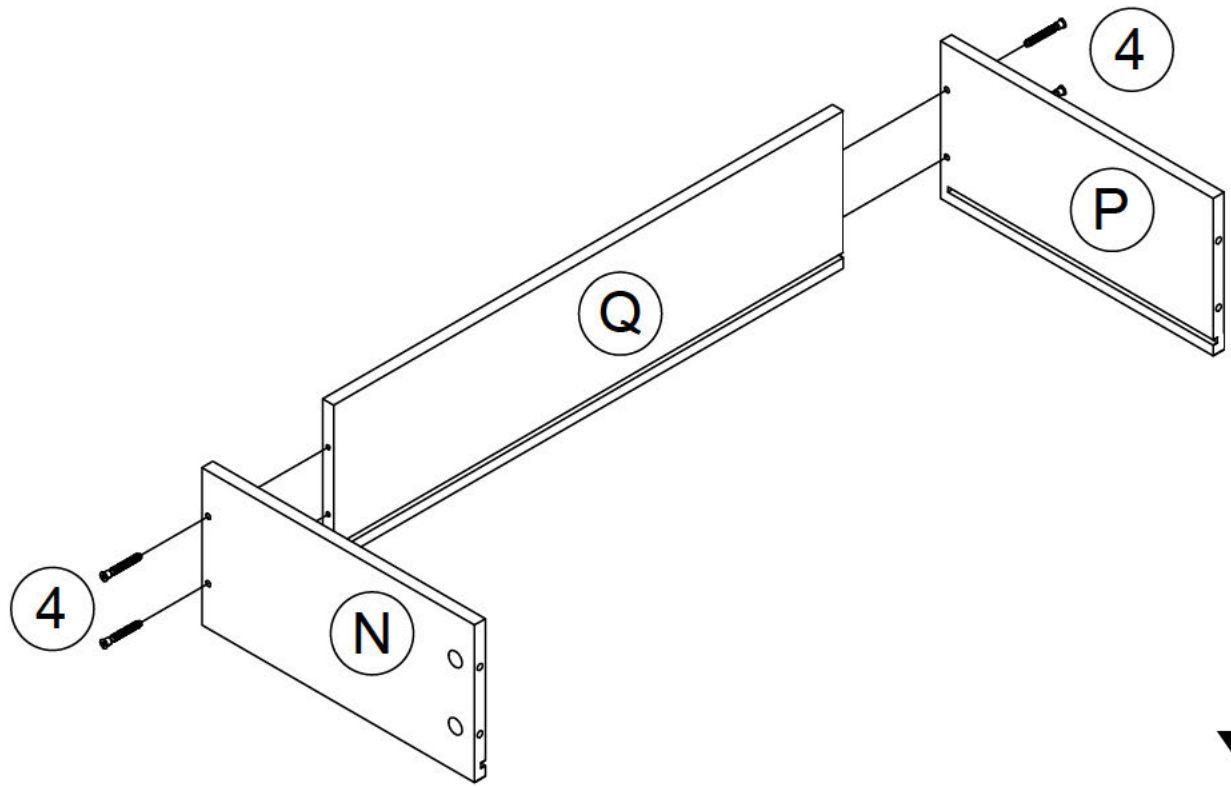
M4X18MM



x6

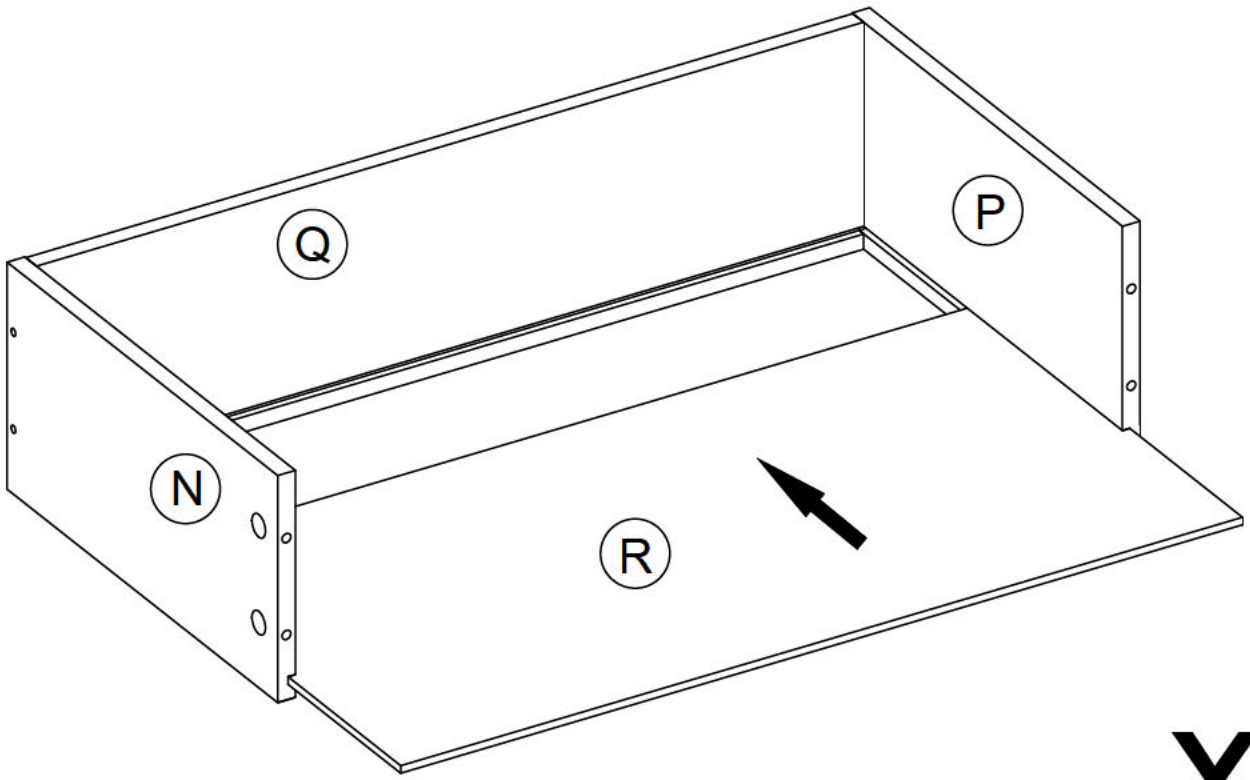
23

D5X40MM



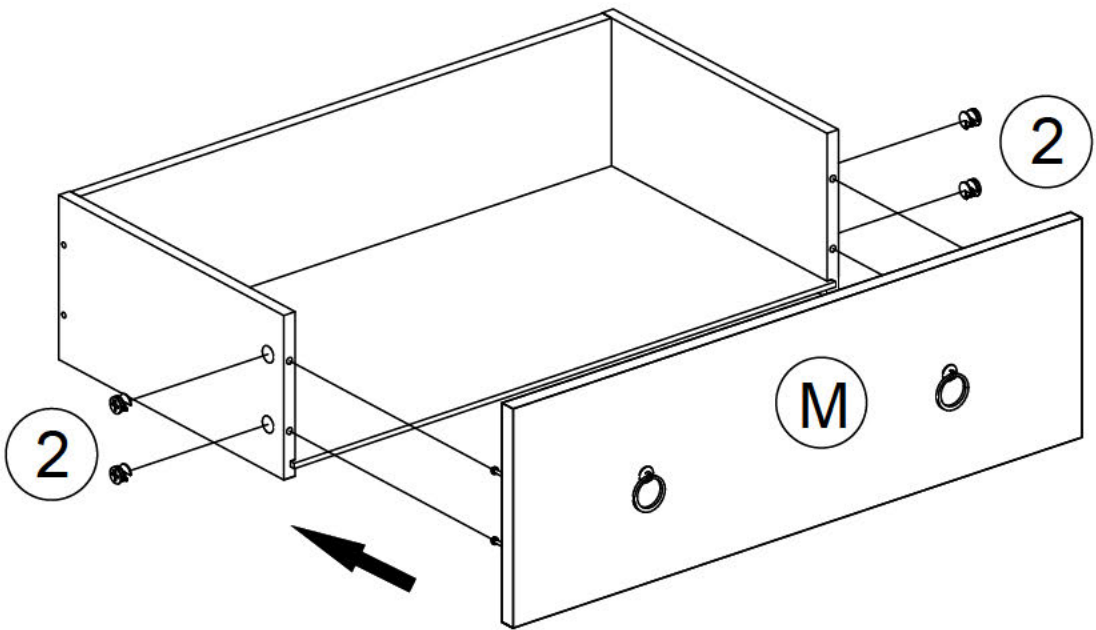
x6

24



x6

25



x6

Ø3.5X12MM



6 x 24



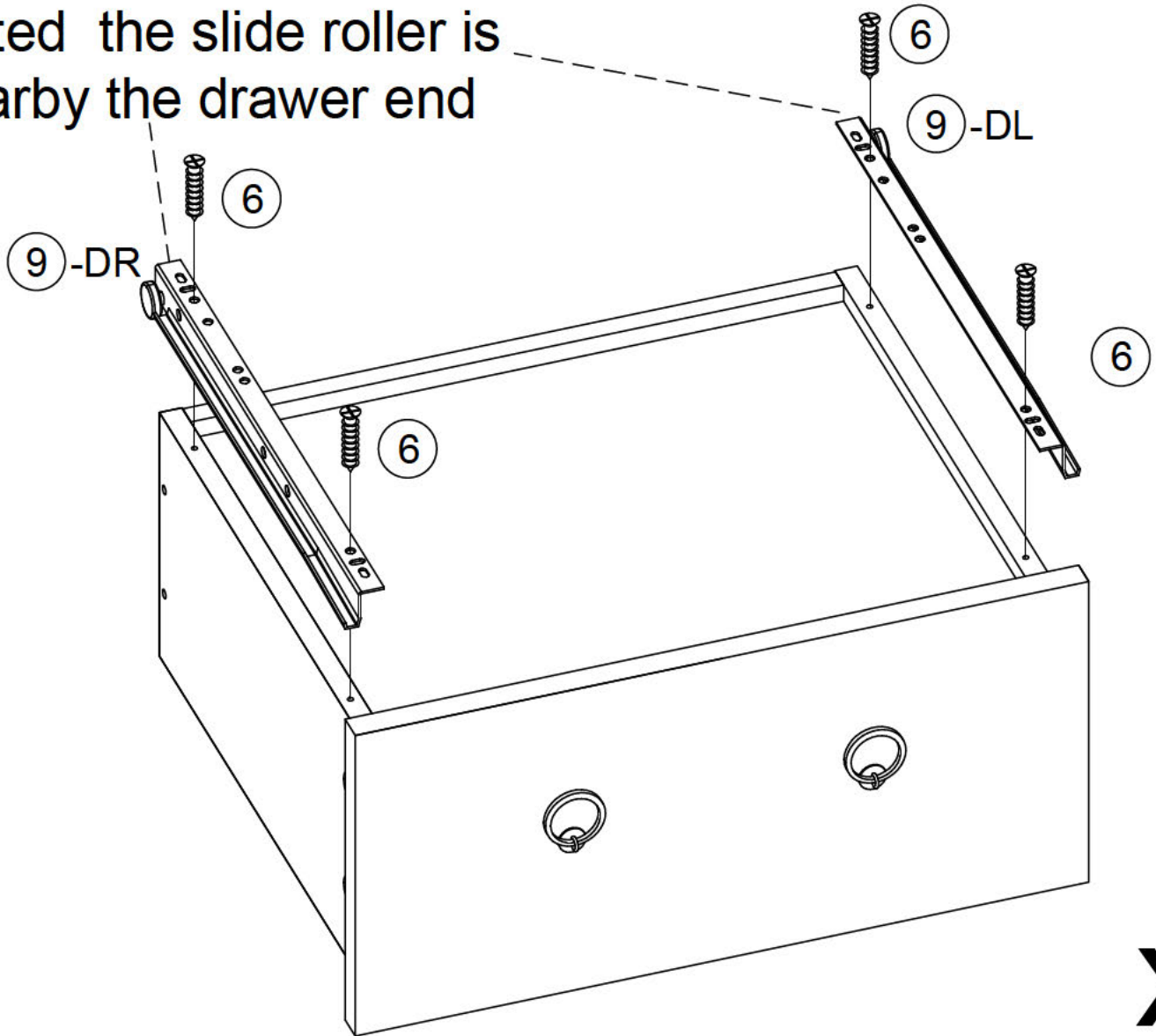
DR 9 x 6



DL 9 x 6

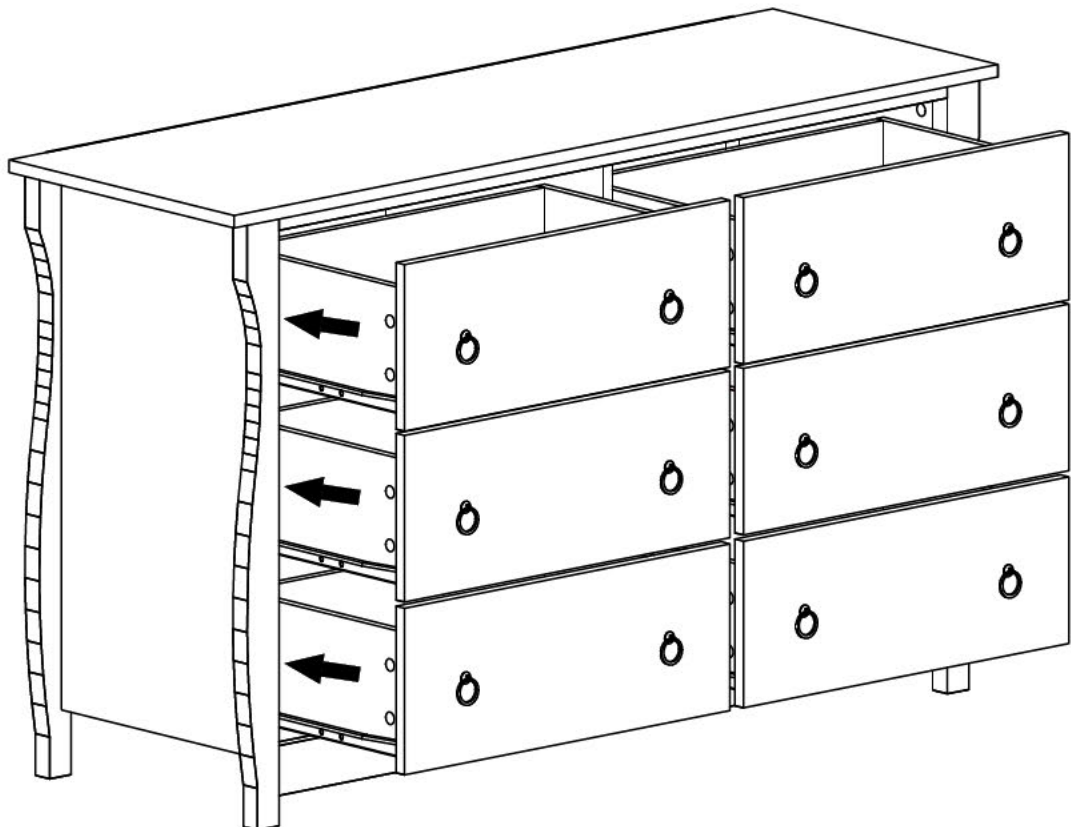
26

Noted the slide roller is nearby the drawer end

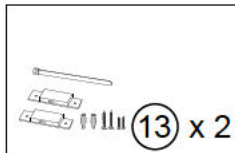


x6

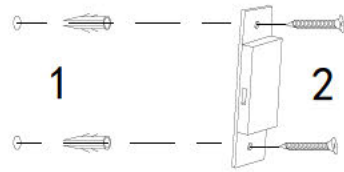
27



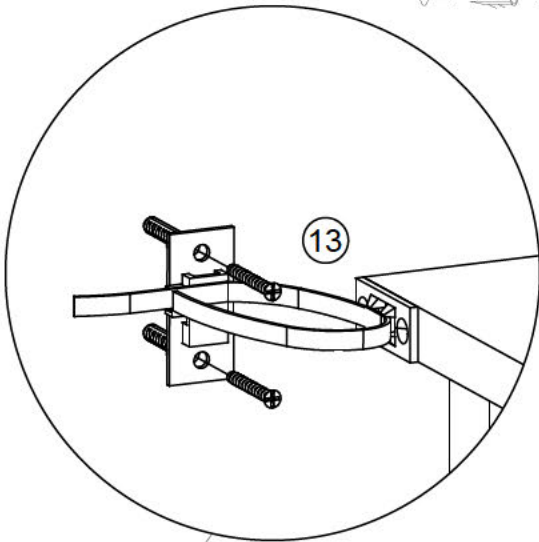
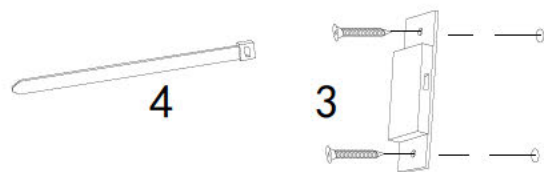
28



WALL



BOARD



1. Drive the expansion screw into the appropriate position on the wall

2. Use long screws to install one of the plastic buckle seats in the appropriate position on the wall.

3. Use short screws to install the other plastic buckle in the appropriate position on the cabinet.

4. Push the cable tie through the two plastic buckle seats and pull tight. As shown in the figure.

