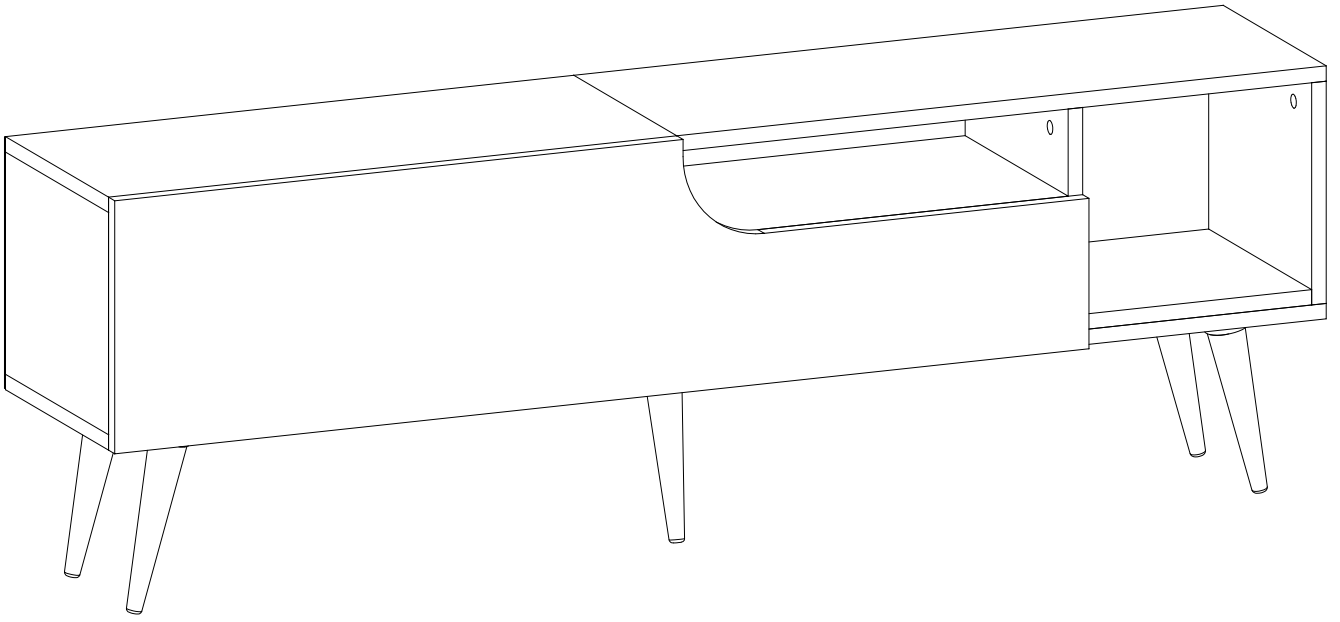
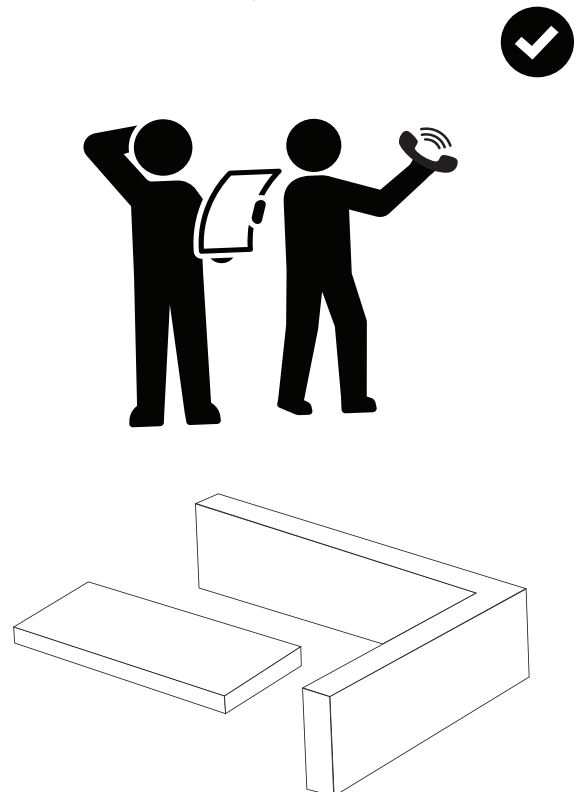
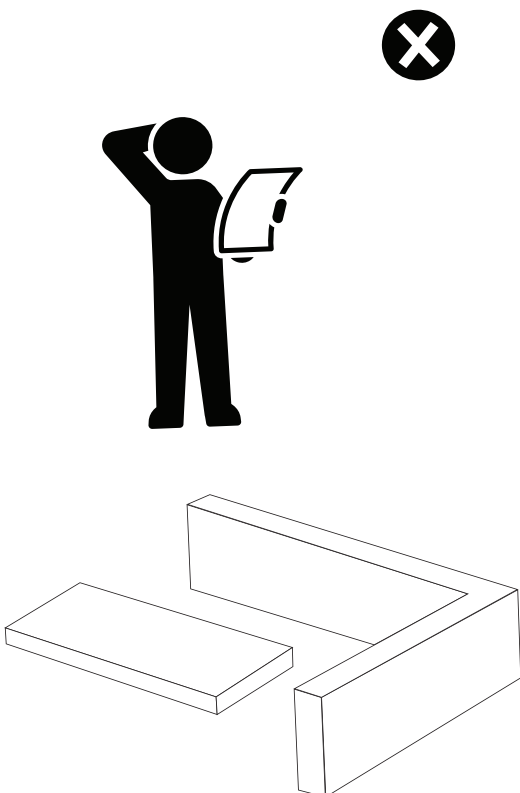
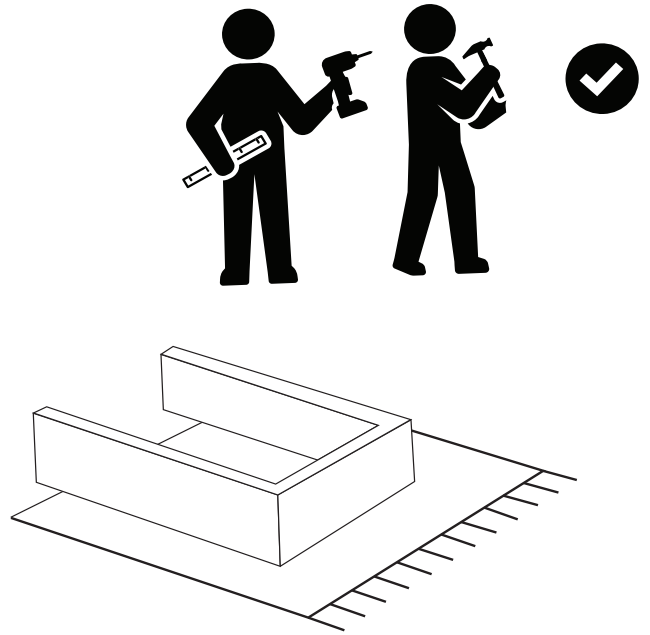
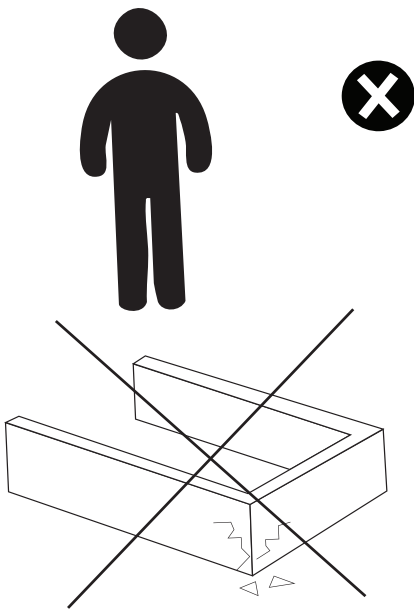
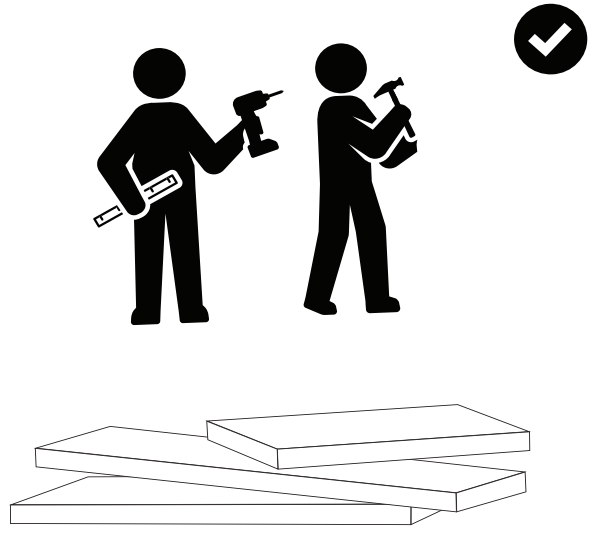
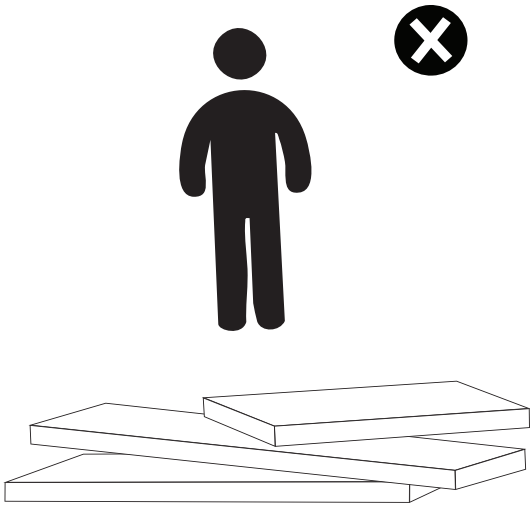
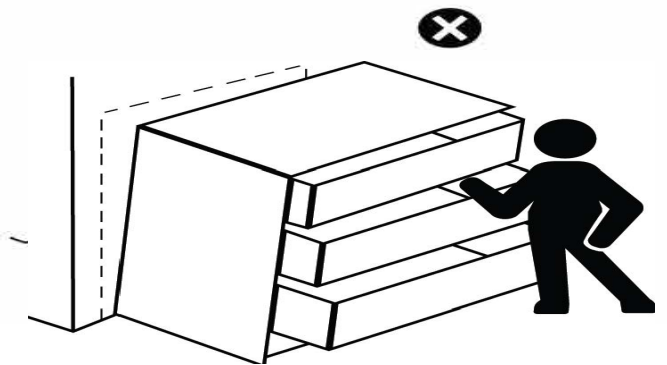
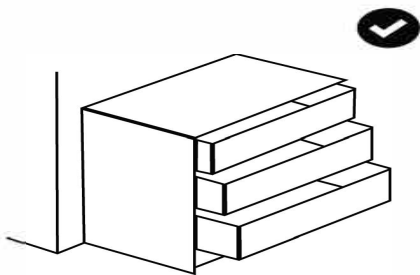
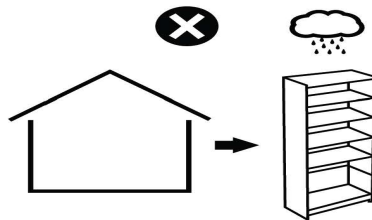
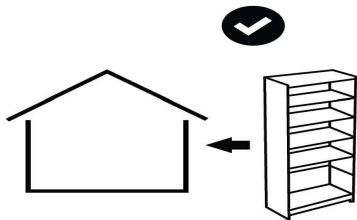
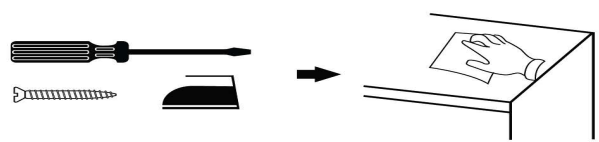
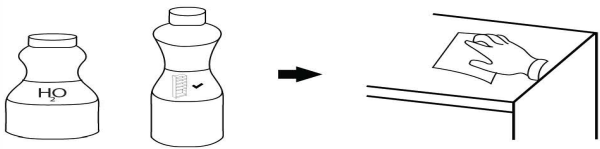
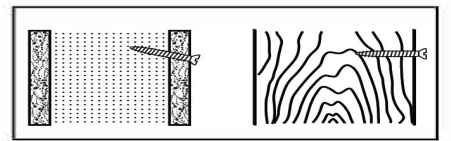
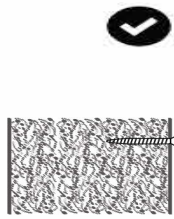
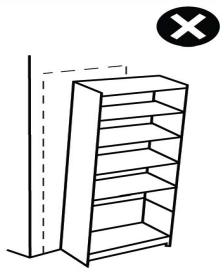
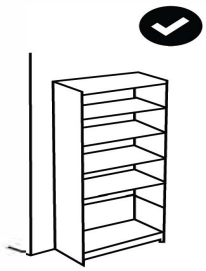
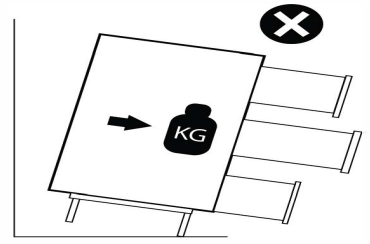
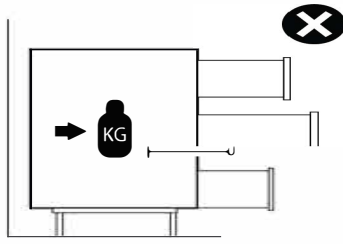
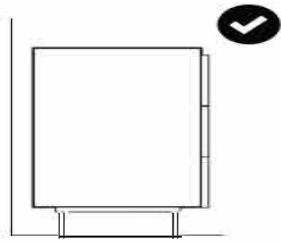


TV STAND

MONTAJ KILAVUZU
ASSEMBLY MANUAL









Dear customer

We are delighted to meet your needs and hope you enjoy our products. May they bring joy to you and your family. Please be assured that this product has successfully passed all safety and health tests. Thank you for choosing us.

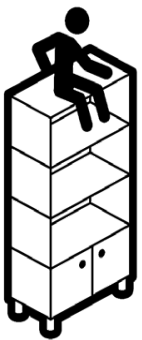


Assembly Recommendations

We kindly recommend the kinetic components and accessories listed in the installation guide before beginning assembly. If you have purchased multiple products, be sure to start at the suggested order in the assembly of the first product before moving on to the second.



We recommend that you clean all parts slightly before assembly to avoid damage before assembling the product.



Safety Instructions

Please avoid using the products for purposes other than their intended use. It is crucial for the safety and well-being of you and your family to prevent any risk of injury. To ensure the longevity of the product, please keep it away from excessive heat and humidity.



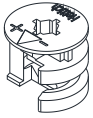
ARNIN

Secure the furniture to the wall is highly recommended for your safety. Furniture tipovers can result in serious injuries or even fatal accidents. To prevent such risks, please ensure your furniture is securely fixed to the wall. Please note that affixing devices are not included in the package as different wall types require different solutions. Use suitable fixing devices that you trust. If you are unsure which devices to use, we recommend consulting your local dealer for guidance. Do not undo or remove the drawer locking system.

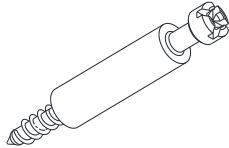
ATTENTION !!

Minifix is the main connection material used in products.
Before starting assembly, please check the drawings below...

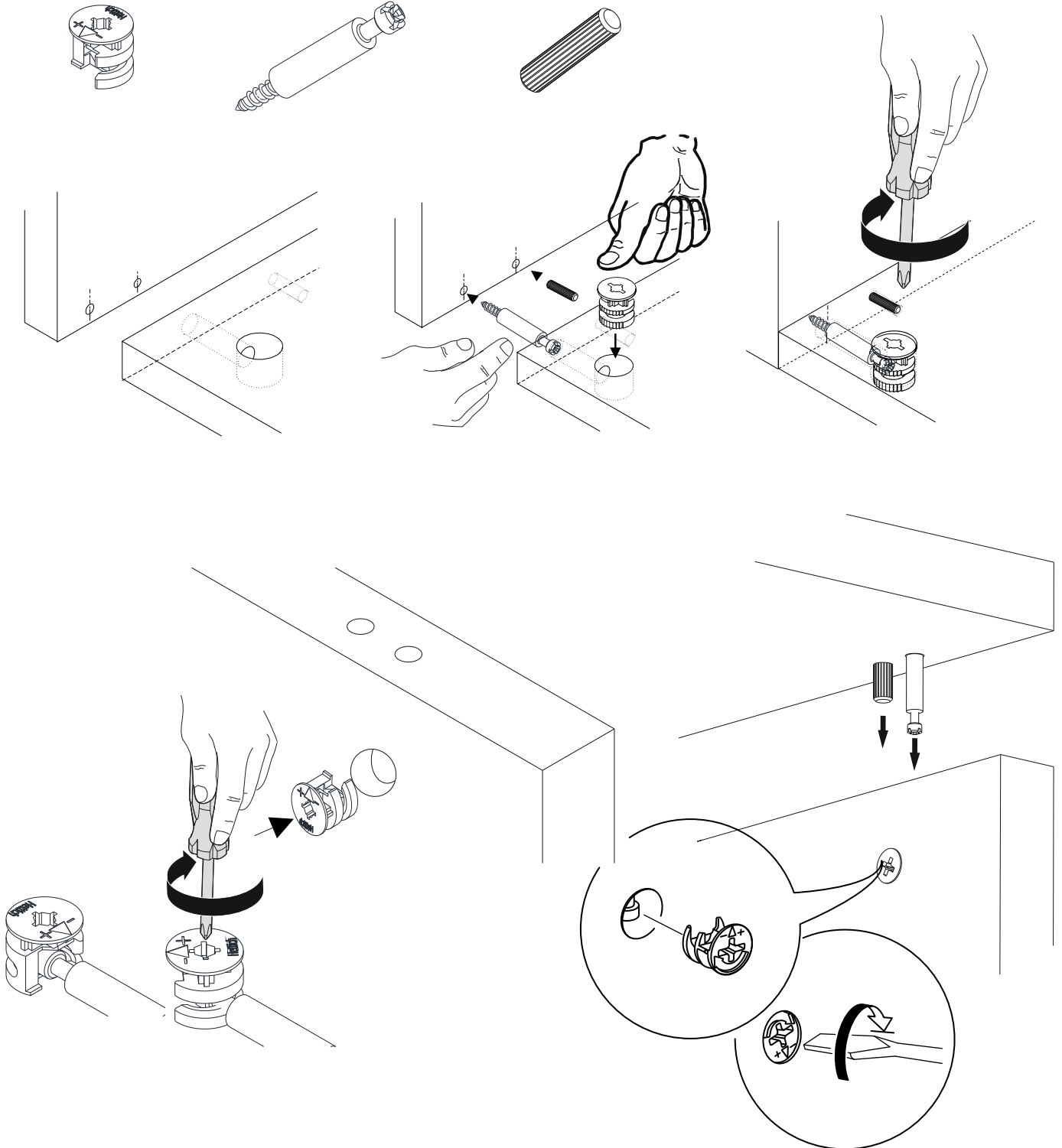
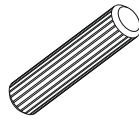
MINIFIX BODY



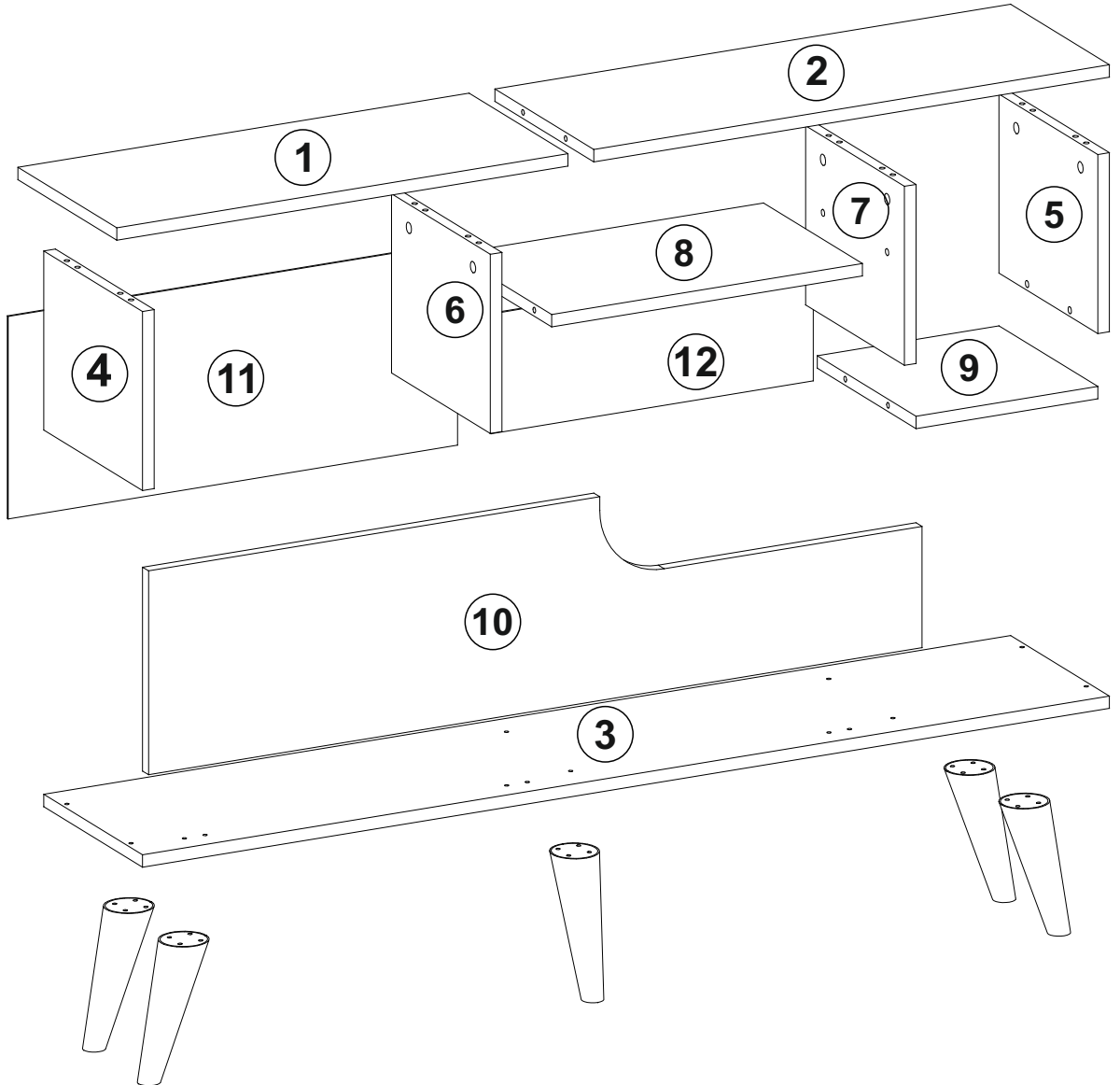
MINIFIX SHAFT



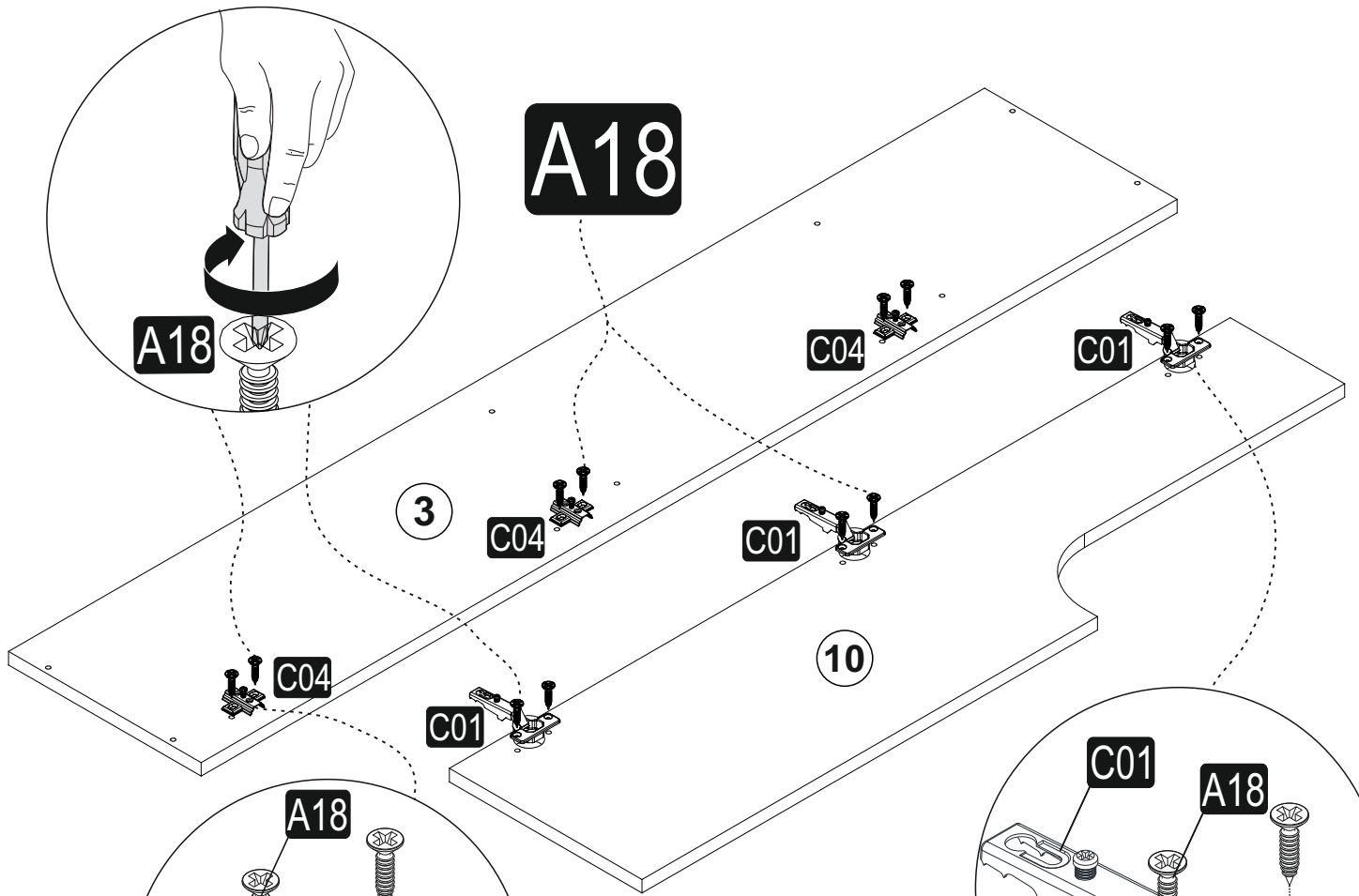
DOWEL



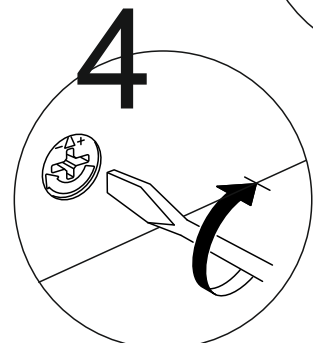
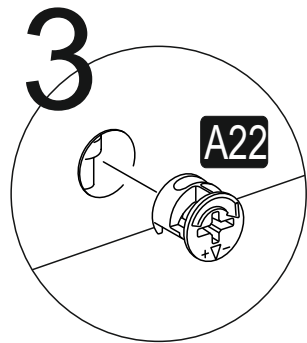
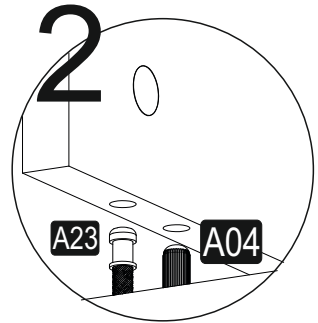
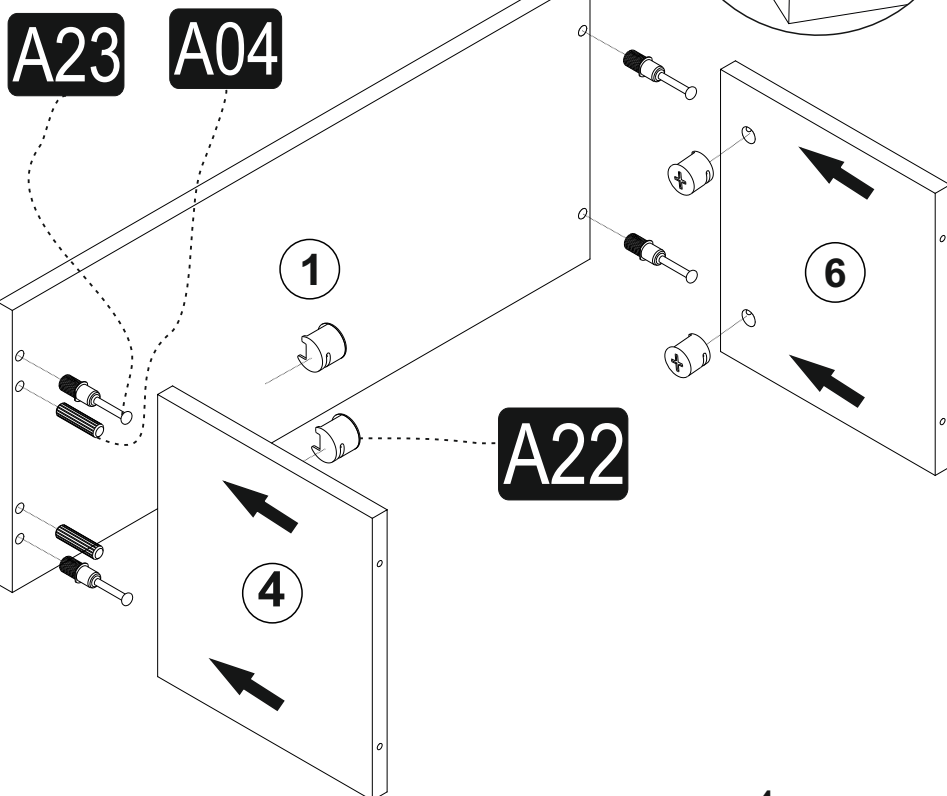
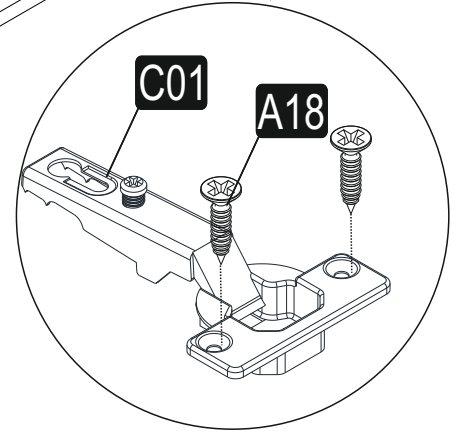
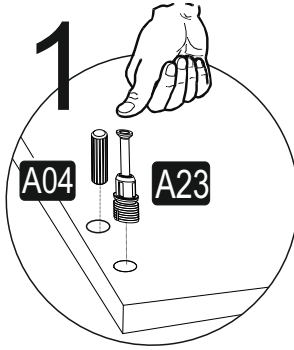
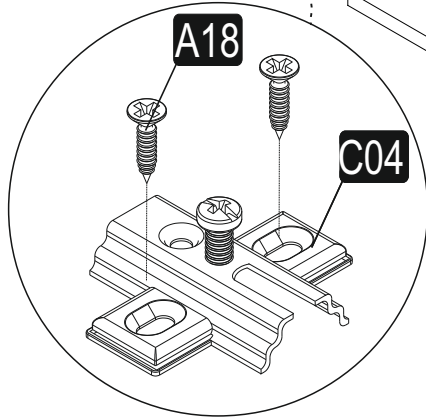
A23 Minifix Mil 14x 14x	A22 Minifix Gövde 14x 14x	A04 Kavela 12x 8x30	A17 4x50 8x 8x	A18 3,5x18 32x 32x
A20 20 cm 5x SİYAH	A48 ARKALIK ÇİVİSİ 30x 18 mm	C01 DÜZ MENTEŞE 3x 3x	C04 MENTEŞE ALTIĞI 3x 3x	A10 14 mm 8x 1. RENK
A06 18 mm 2x 1. RENK	A06 18 mm 12x 2. RENK	<p>1.RENK 2.RENK</p> <p>ATLANTİK ÇAM ANTRASİT</p> <p>CEVİZ BEJ</p>		



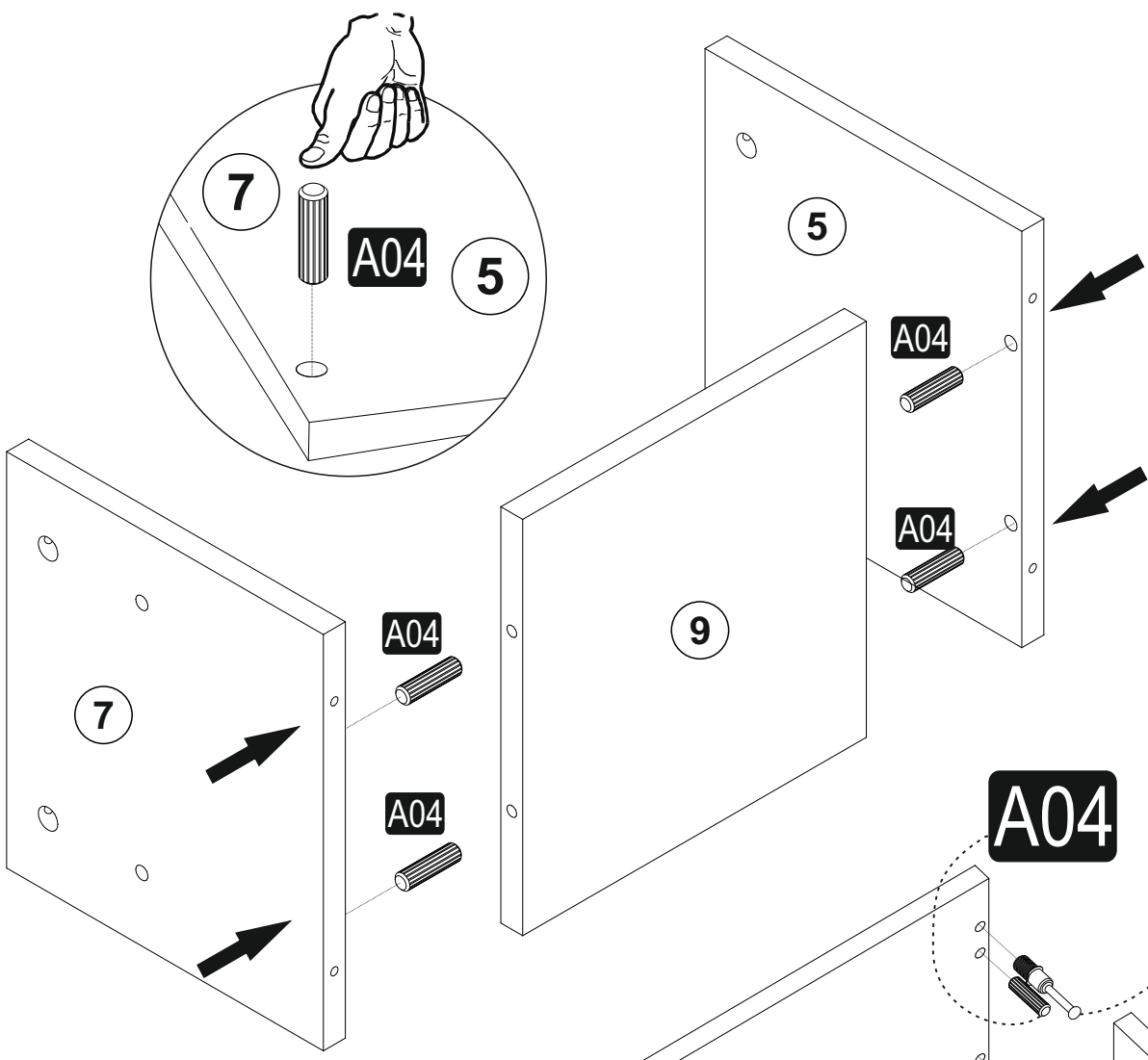
1



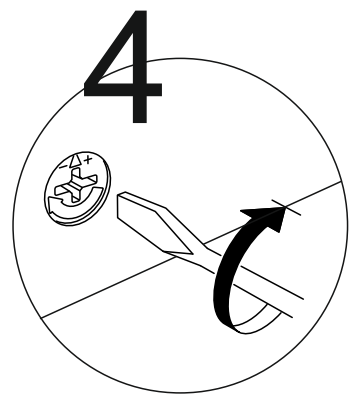
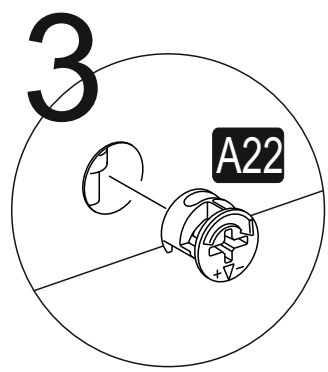
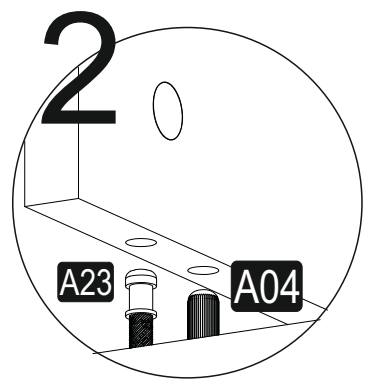
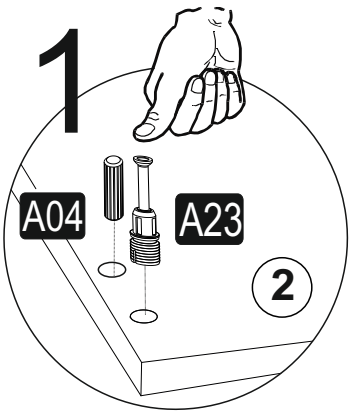
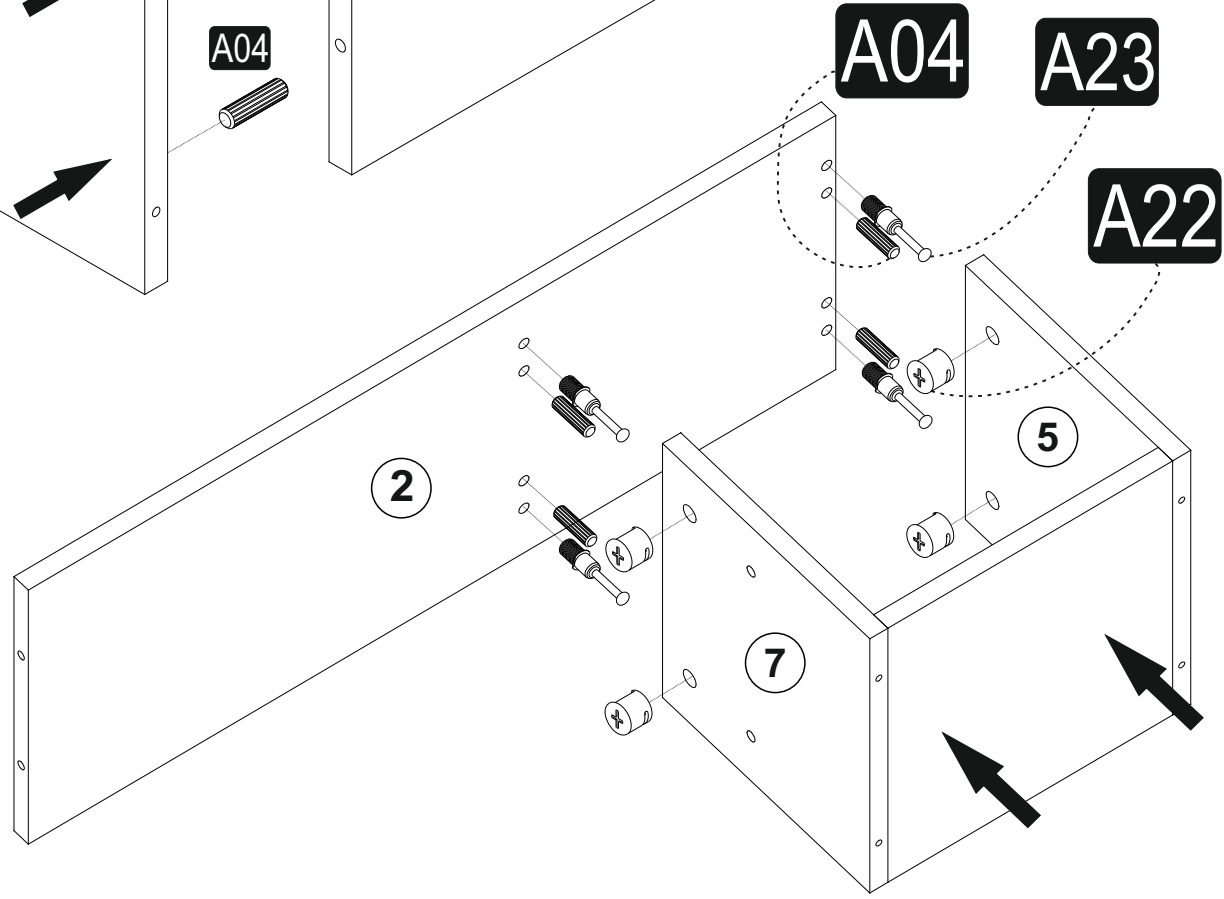
2



3



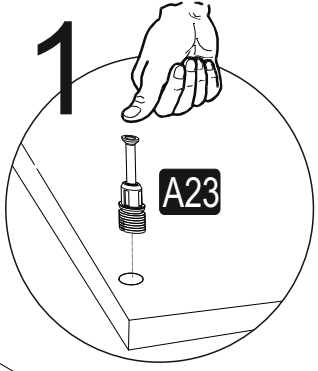
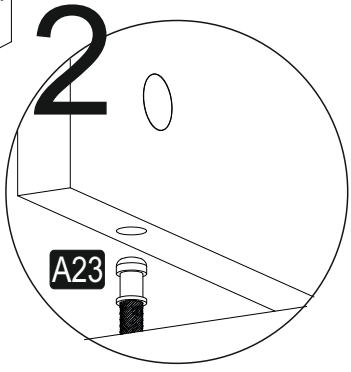
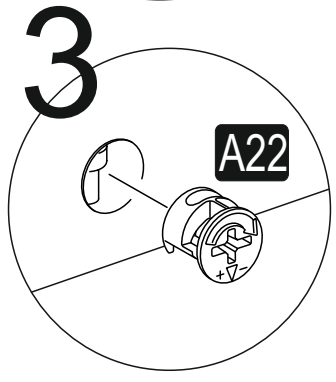
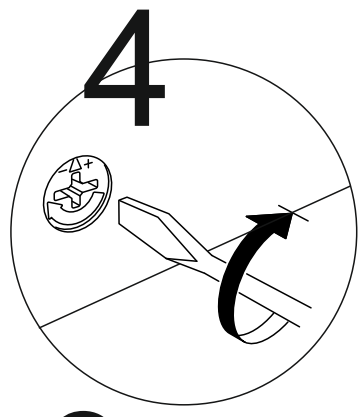
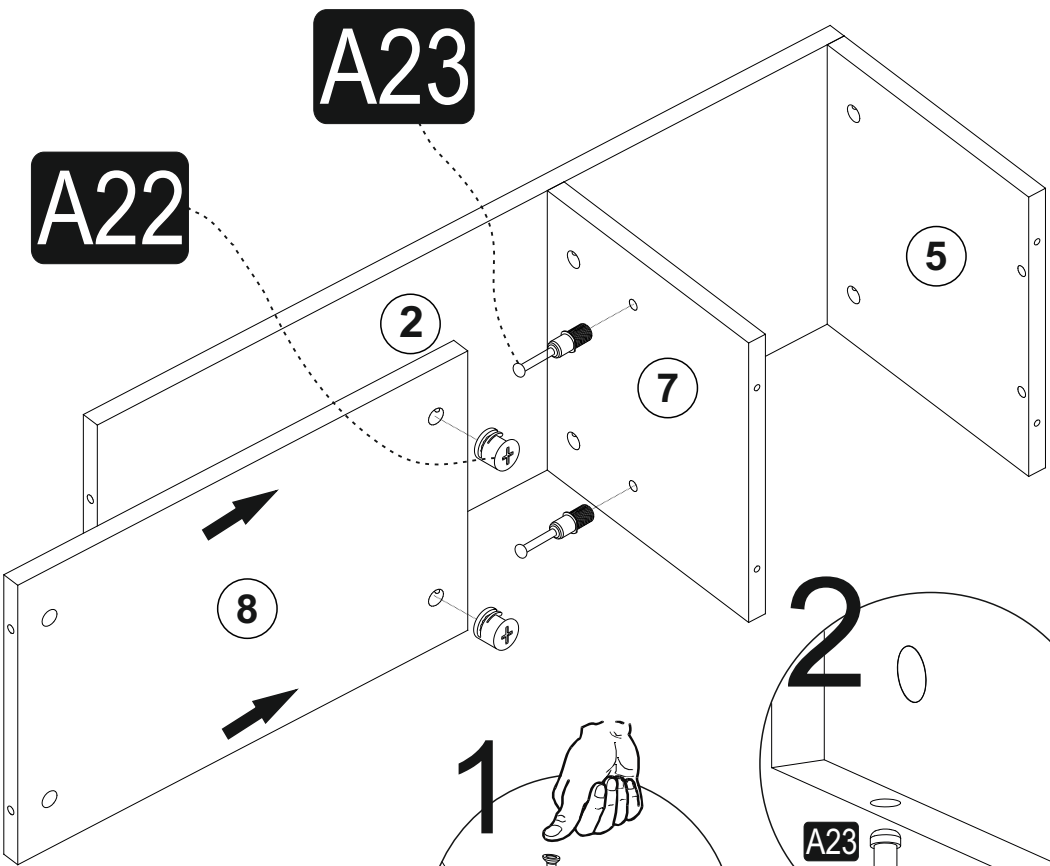
4



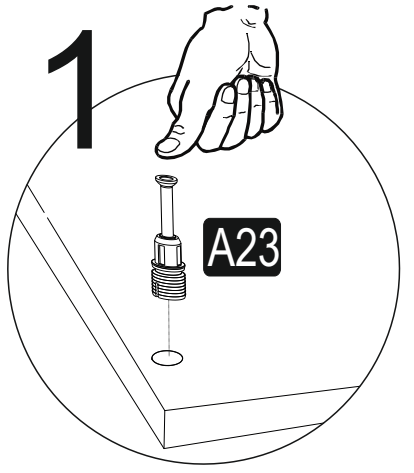
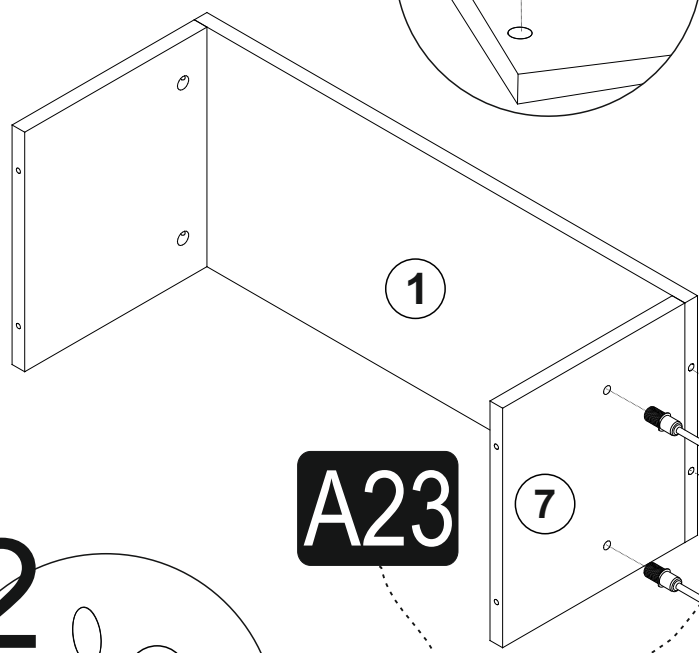
5

A23

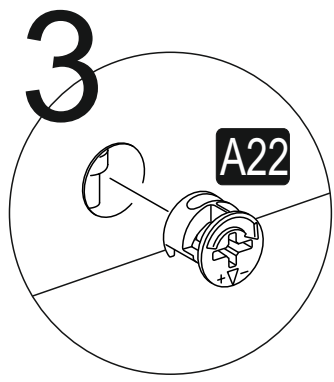
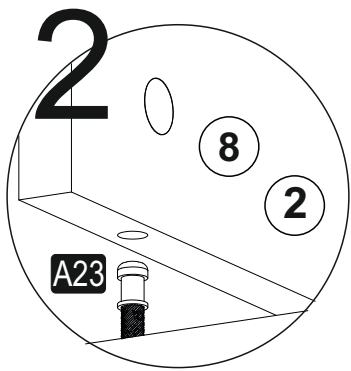
A22



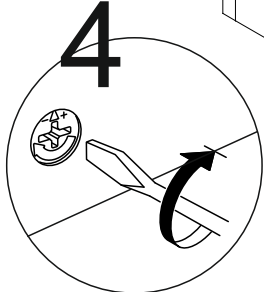
6



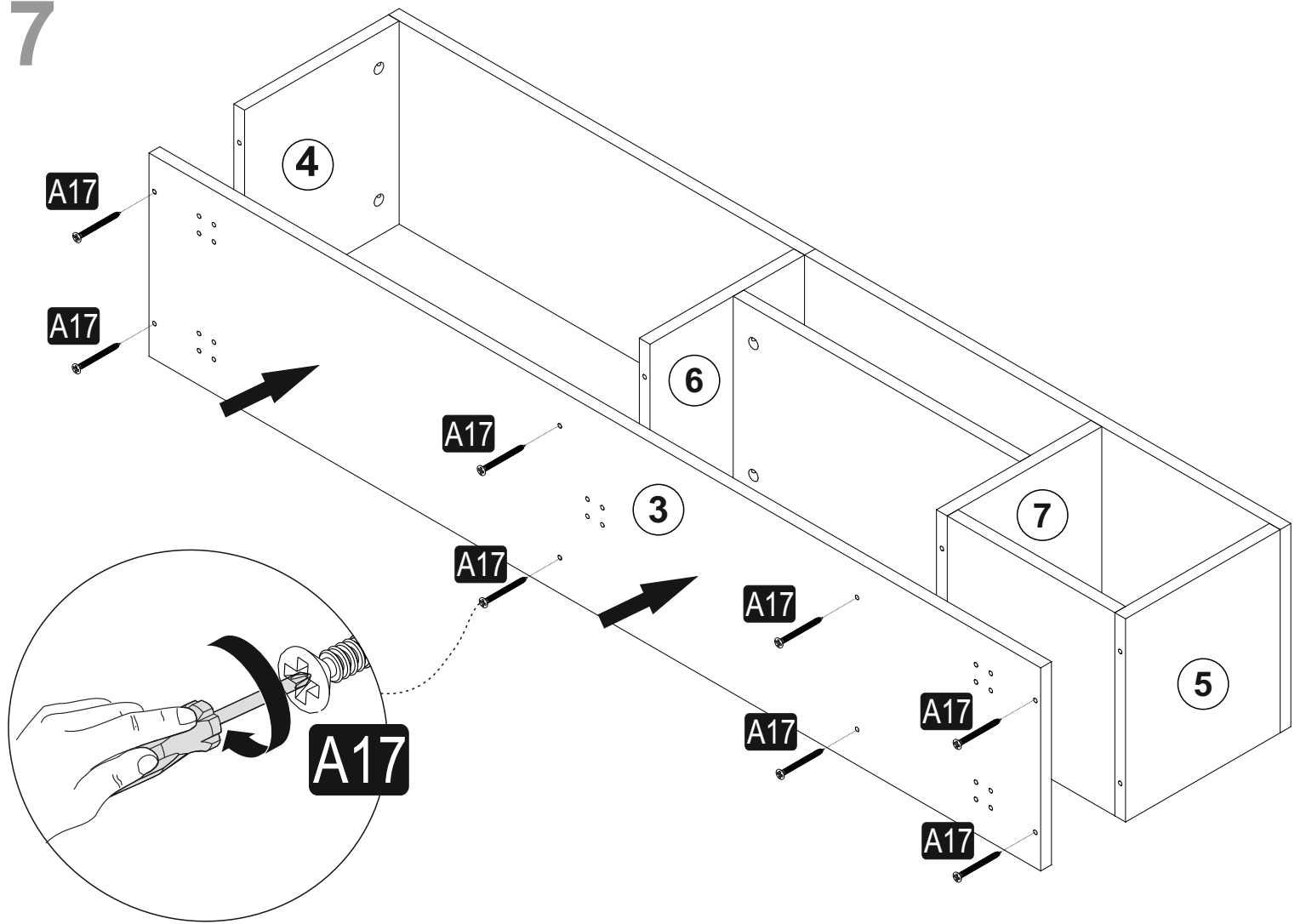
A23



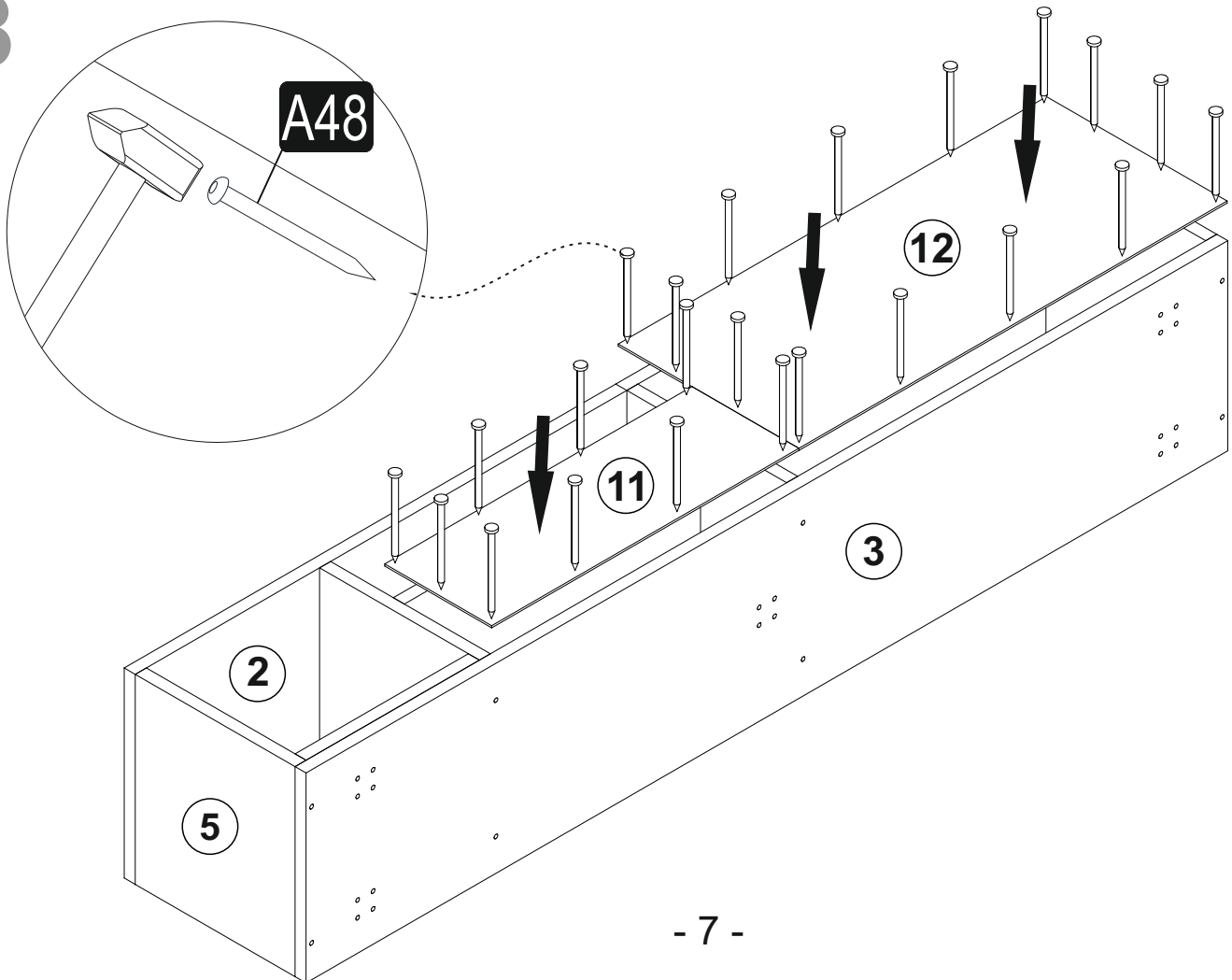
A22



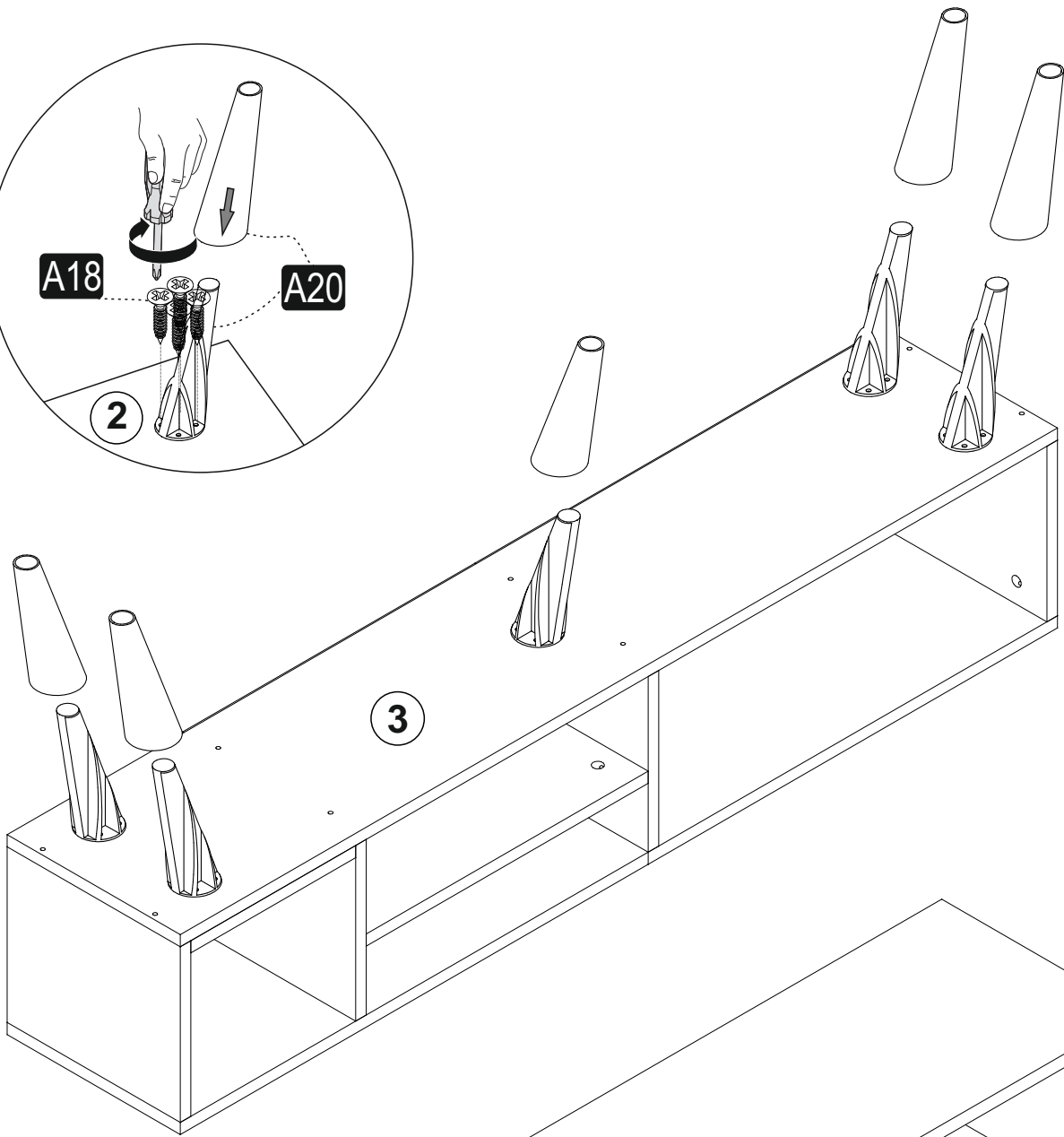
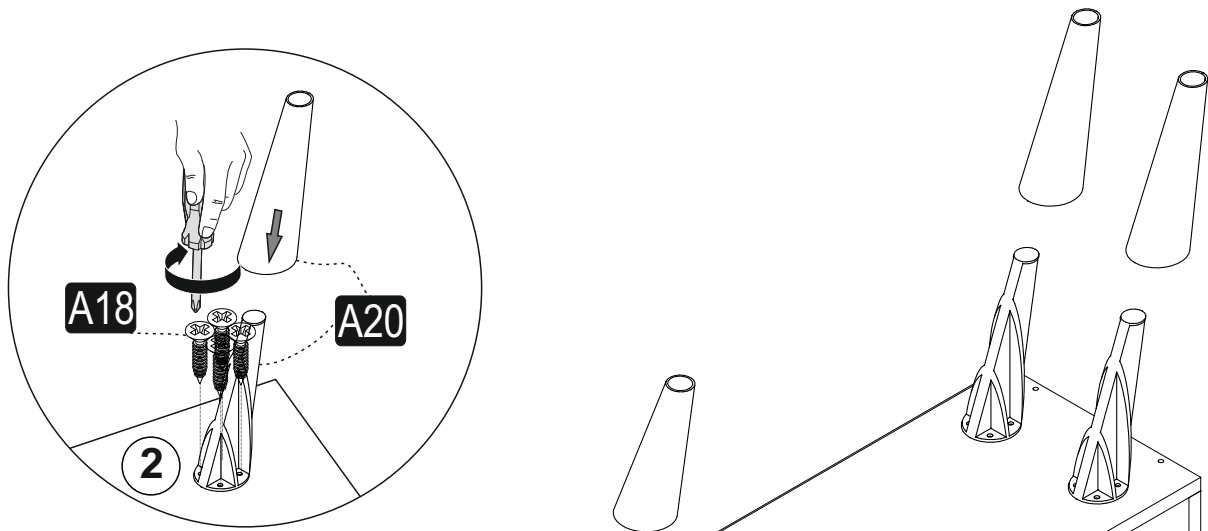
7



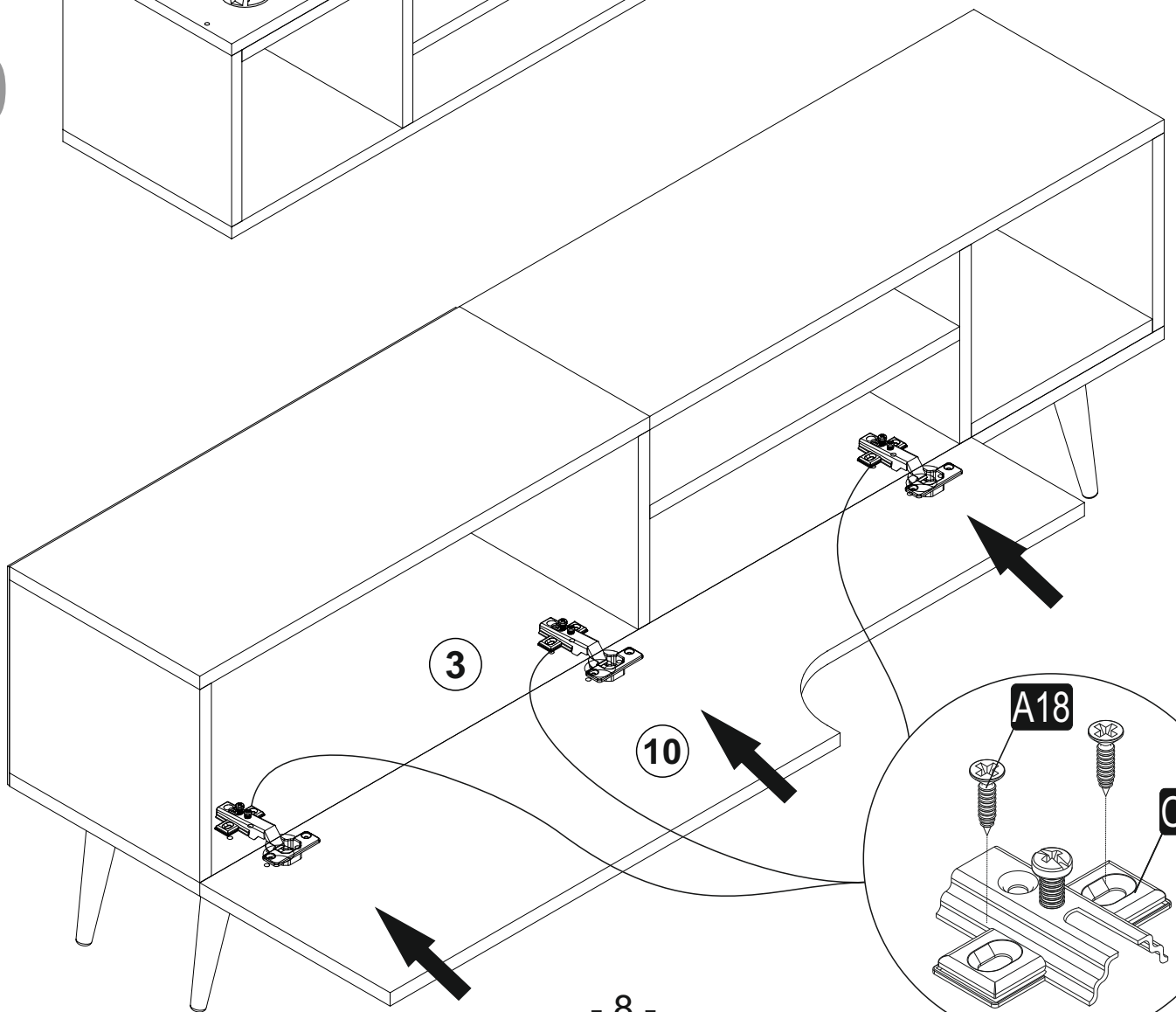
8

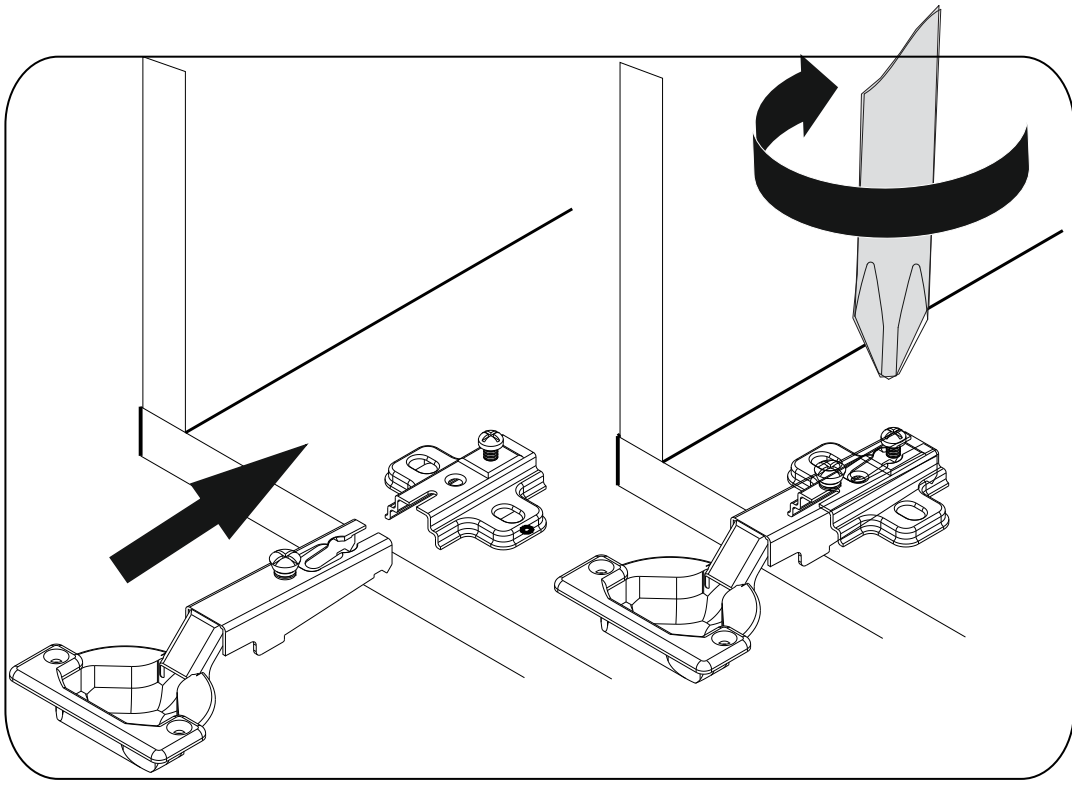


9



10





KAPAK AYAR ŞEMASI
cover setting chart

