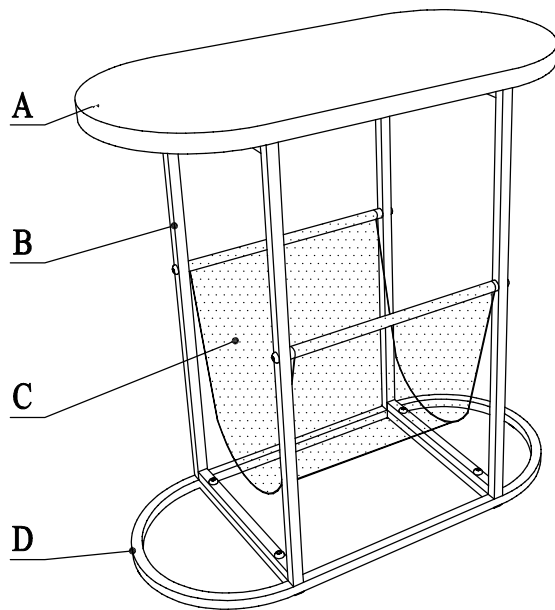
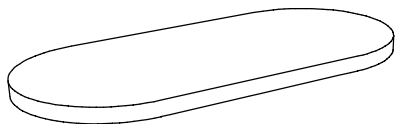


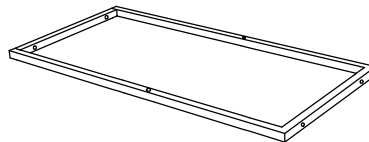
# I - PARTS AND HARDWARE



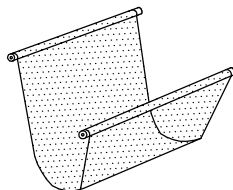
**A x 1**



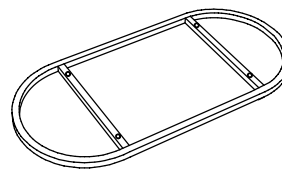
**B x 2**



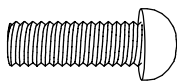
**C x 1**



**D x 1**

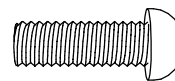


**E x 8**



Bolt M6x25

**F x 4**



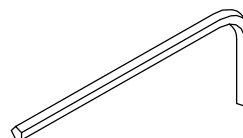
Bolt M6x20

**G x 4**



M4x17/D10

**H x 1**



Allen Key 4

\* Please check all the parts listed . Find the hardwares attached to the package's bottom by A RED STRING. Contact us if you have damaged or missing any components.

\* Please watch and follow our assembly video on our product page.

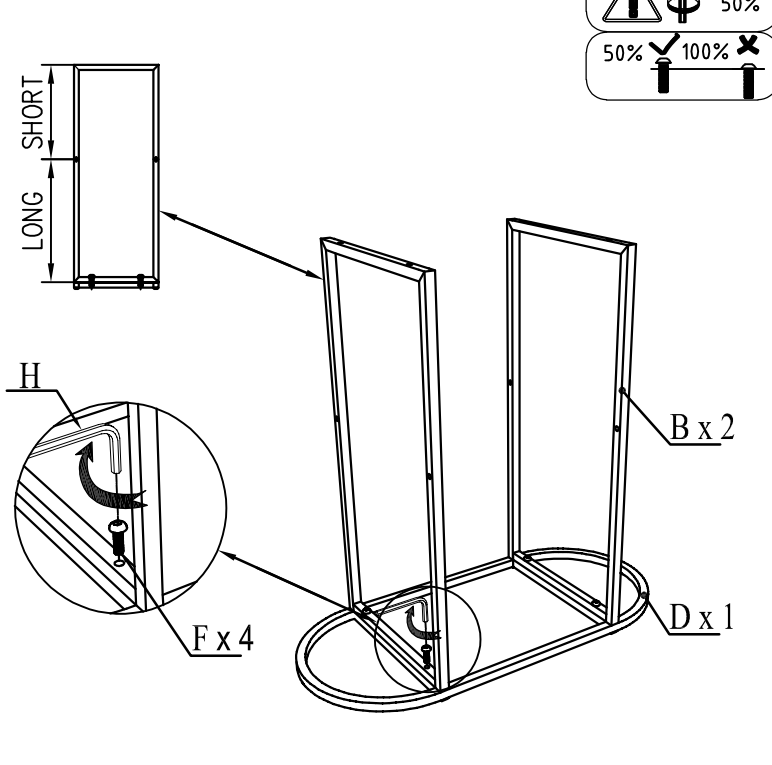
\*You can use ELECTRIC SCREWDRIVER for easier assembly.

# II. PRODUCT

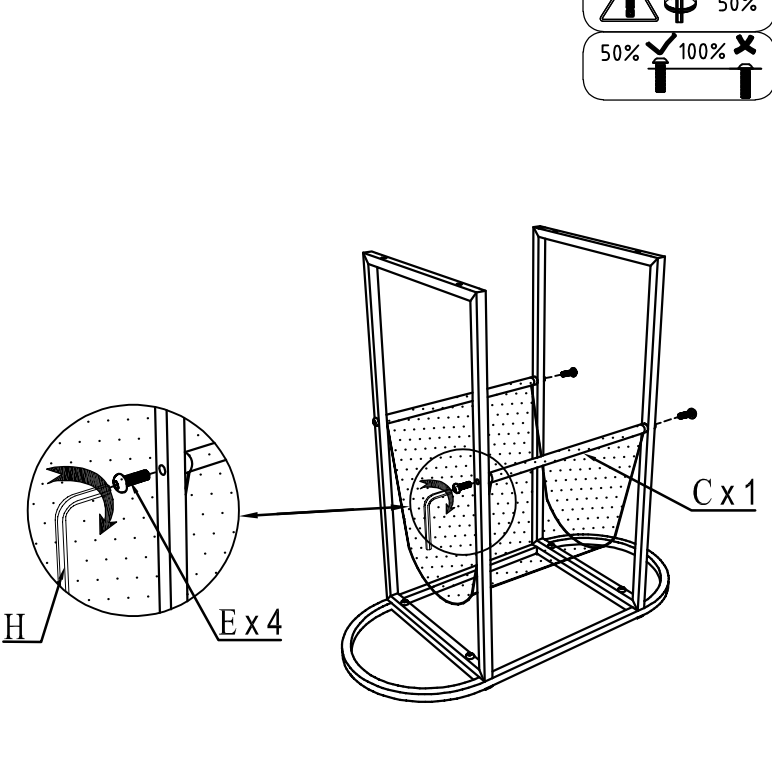
"DO NOT tighten the screws until all of parts set into correct position"

## ASSEMBLY

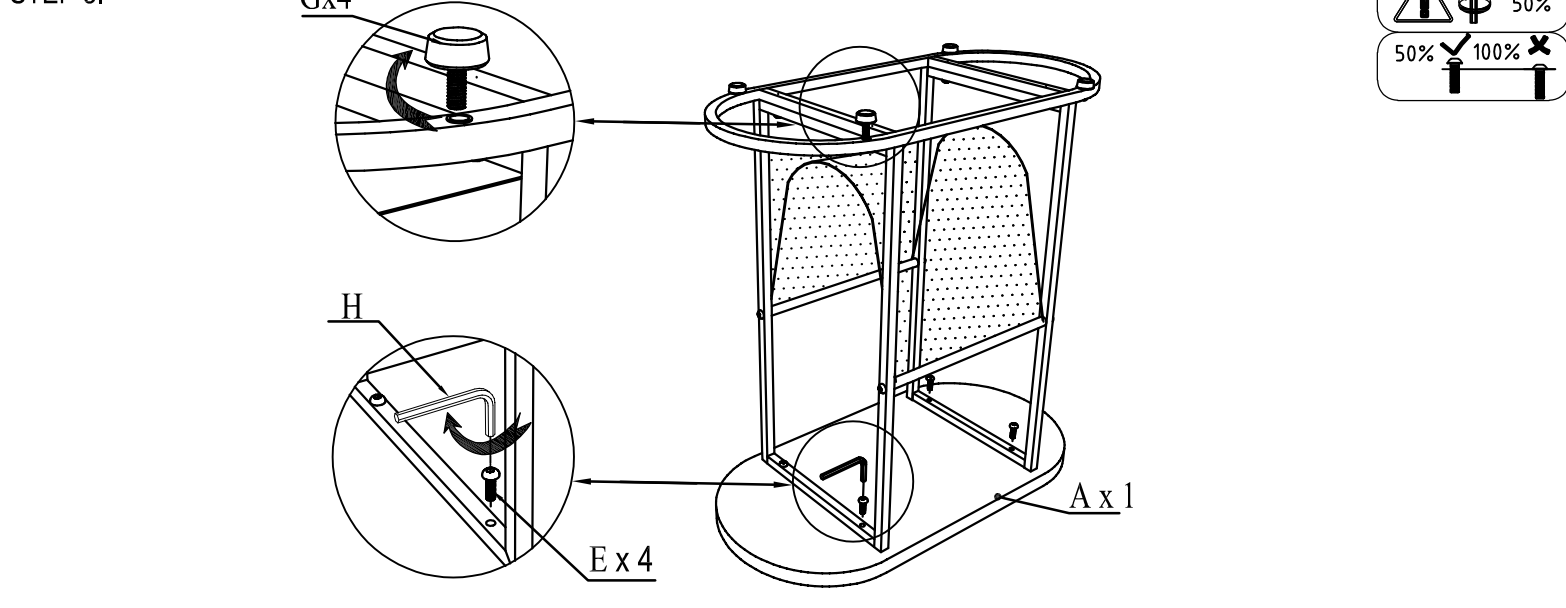
### STEP 1:



### STEP 2:



### STEP 3:



### STEP 4:

