

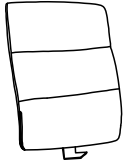

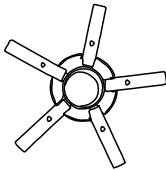
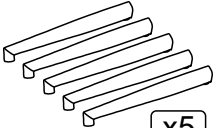

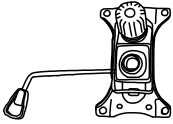

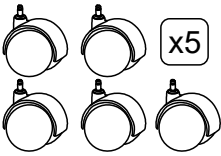
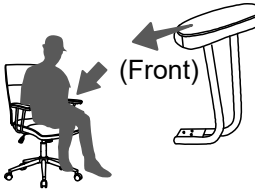
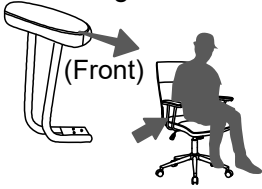
Elegant textured boucle office chair  
**MODEL RTA-3270C**  
**ASSEMBLY INSTRUCTIONS**

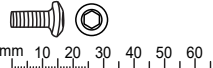


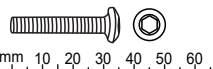
REV.2-AFSI-8740-0225




Thank you for  
purchasing our product!

<p>Do a quick inventory of all the parts and hardware listed below.</p> 	<p><b>For Support, assembly questions &amp; Replacement Parts within the 48 Contiguous United States:</b></p> <p>Please email us at: <a href="mailto:support@rtaproducts.com">support@rtaproducts.com</a></p> 	<p>Replacement Parts for International Customers &amp; <b>AK-HI-PR</b> orders: RTA Products will replace the part free of charge, while <b>the customer is responsible for shipping costs plus any International local taxes or duties.</b></p>
---	---	---

MAIN PARTS LIST				
<p><b>A</b> Backrest</p> 	<p><b>B</b> Seat</p> 	<p><b>C-1</b> Star base</p> 	<p><b>C-2</b> Legs</p>  <p>x5</p>	<p><b>C-3</b> Cover for base</p>  <p>NOTE: This piece comes attached to the base C-1</p>
<p><b>D</b> Mechanism</p> 	<p><b>E</b> Lift cylinder</p> 	<p><b>F</b> Casters</p>  <p>x5</p>	<p><b>G-L</b> Left armrest</p>  <p>(Front)</p>	<p><b>G-R</b> Right armrest</p>  <p>(Front)</p>

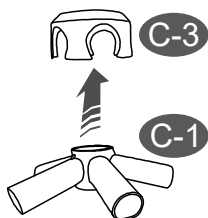
HARDWARE LIST			
Part #	QTY	SIZE/Description	Item
I	5	M6x12	
J	6	M6x25	
K	4	M6x20	
L	4	M6x30	

INCLUDED TOOLS	
M6 Allen Wrench	

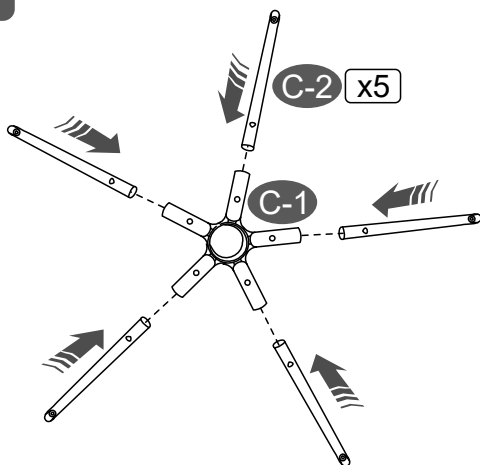
## ASSEMBLY STEPS

### STEP 1

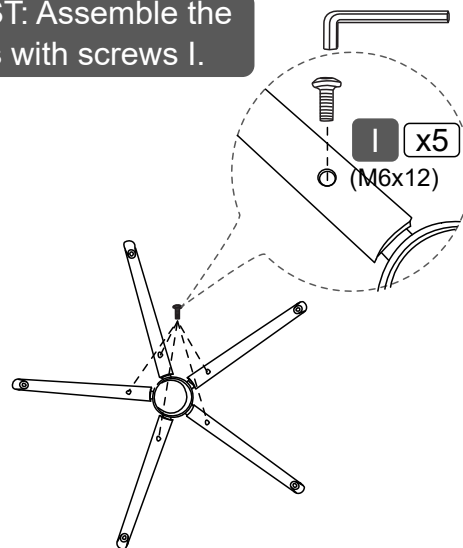
**FIRST:** Remove C-3 from the base C-1.



**THEN:** Insert the legs C-2 into the base C-1.

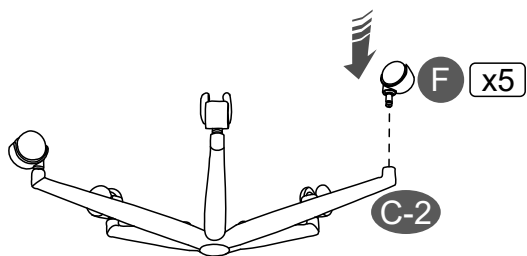


**LAST:** Assemble the legs with screws I.

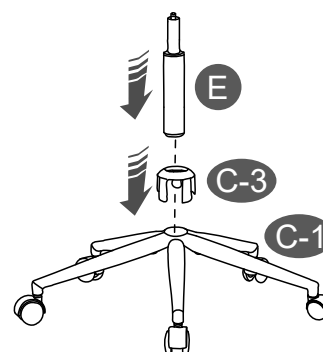


### STEP 2

**FIRST:** Insert the casters F into the legs C-2 using pressure.

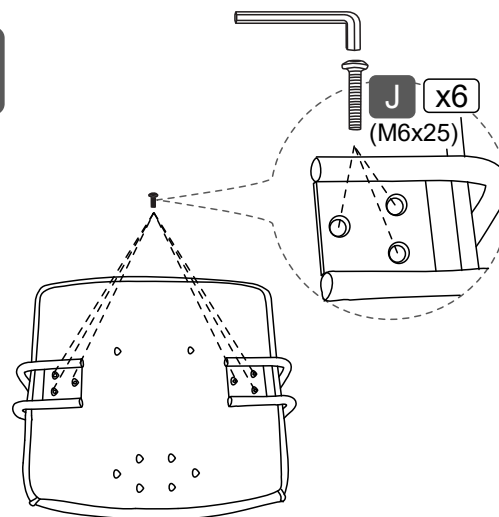
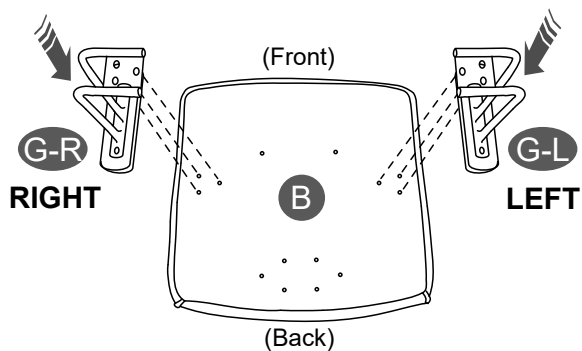


**THEN:** Insert the gas lift E and the cover C-3 in the middle of the base C-1.



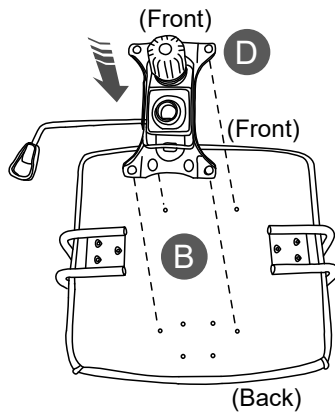
### STEP 3

Assemble G-L and G-R to B on their respective sides with screws J.

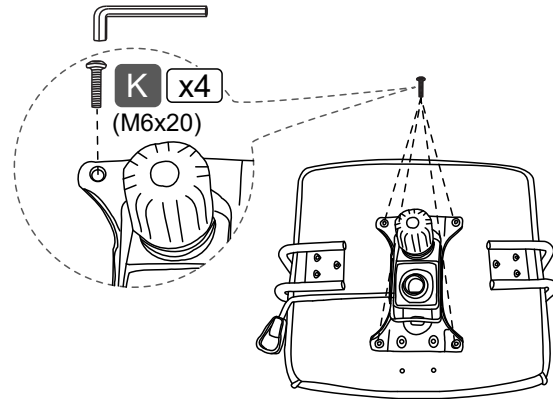


**STEP 4**

**FIRST:** Place the mechanism D over the seat B with its knob facing towards the front.

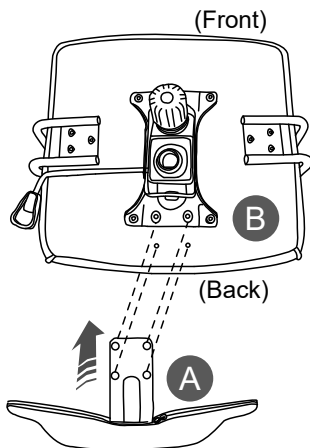


**THEN:** Secure D with screws K.

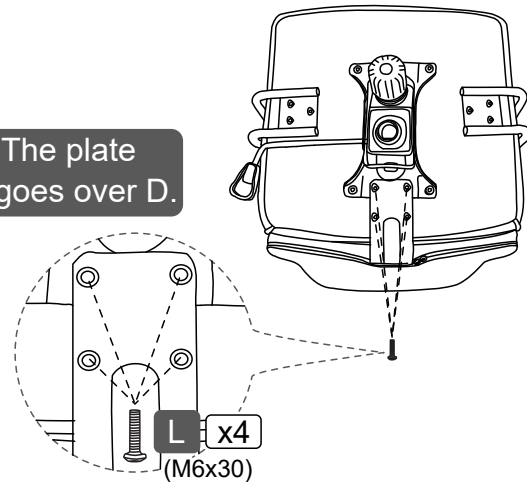


**STEP 5**

Assemble the metal plate of the backrest A to the seat B with screws L.

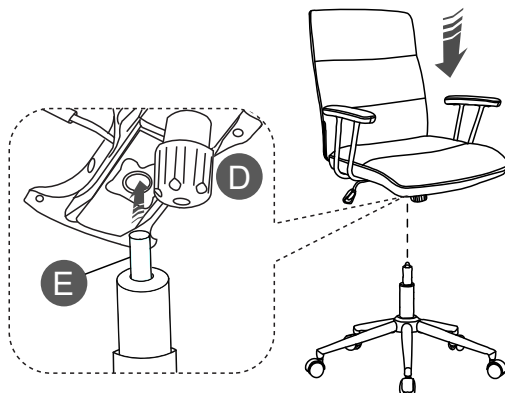


**NOTE:** The plate from A goes over D.



**STEP 6**

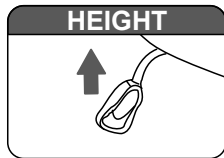
Join the seat to the base parts so the tip of the gas lift E enters into the big hole of the mechanism D.



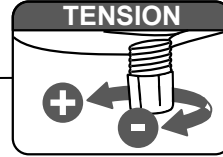
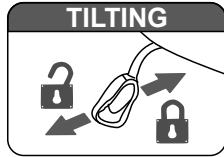
**ALL DONE!** Please read the safety warnings on the next page.

## CHAIR'S FUNCTIONS

Pull Handle UP.



Pull Handle OUT to UNLOCK;  
Push Handle IN to LOCK.

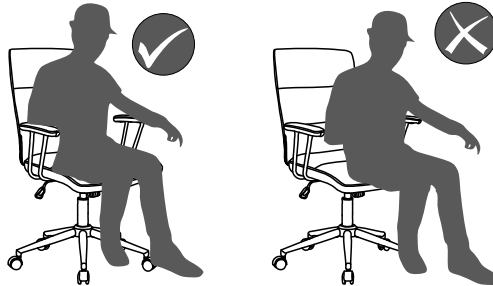


Turn **CLOCKWISE** for less tension (-); **COUNTERCLOCKWISE** for more tension (+).  
With less tension, the tilting feels easier.

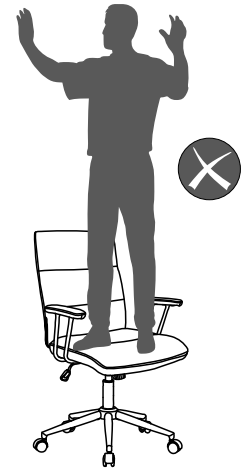
## WARNINGS - Not paying attention to the following warnings could result in injuries.



Do not use the chair if the frame parts are damaged, or if any of the screws are loose or missing.



Only one person at a time and refrain from sitting on the edge of the seat to prevent the chair from tipping over.



Do not stand or use the chair as ladder.

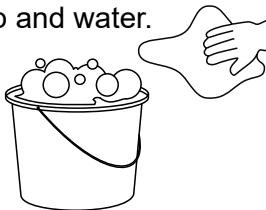
### WEIGHT LIMIT



Do not leave babies or toddlers unattended while seated on the chair, always ensure adult supervision. Keep children from playing with the chair for their safety.

## CARE AND MAINTENANCE

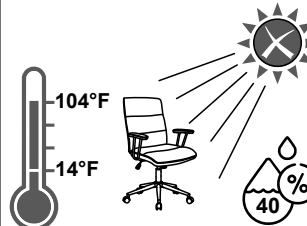
Clean with a soft cloth lightly damped in a solution of smooth soap and water.



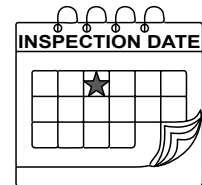
Do not use solvents or abrasive materials.



Do not expose to direct sunlight or to extreme environmental conditions.



Inspect the chair thoroughly every 4 months and re-tighten the screws.



## WARRANTY



LIMITED 2 YEAR WARRANTY

For details on the Warranty Policy, please visit online:  
[www.technimobili.com](http://www.technimobili.com)