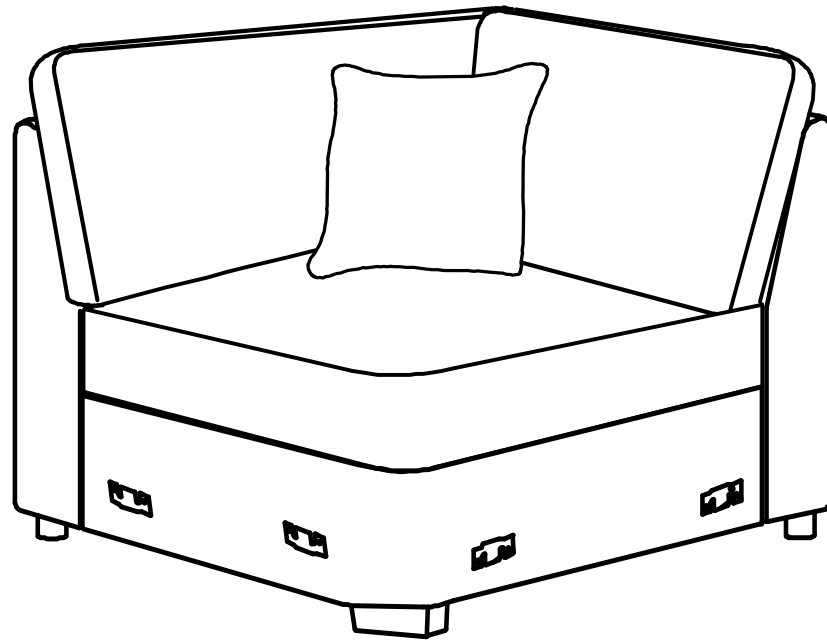
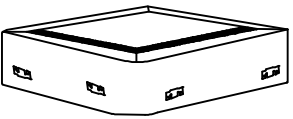
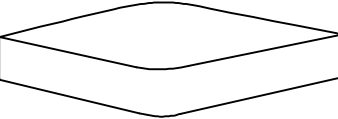
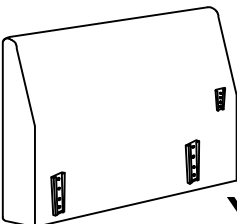
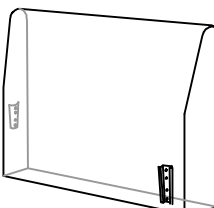


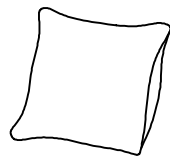
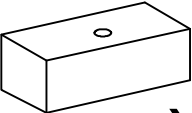

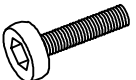

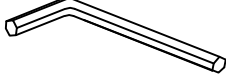


ASSEMBLY INSTRUCTION

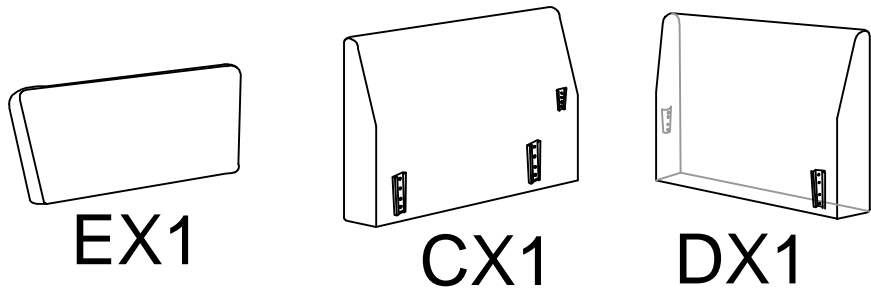
MODELNO.:F10031-C/F10031-D/F10032-C/F10032-D/F10033-C/
F10033-D/F10034-C/F10034-D



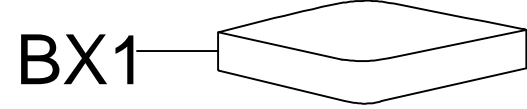
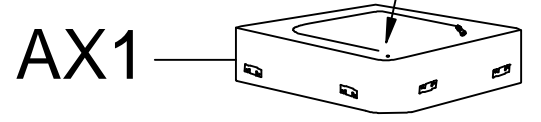
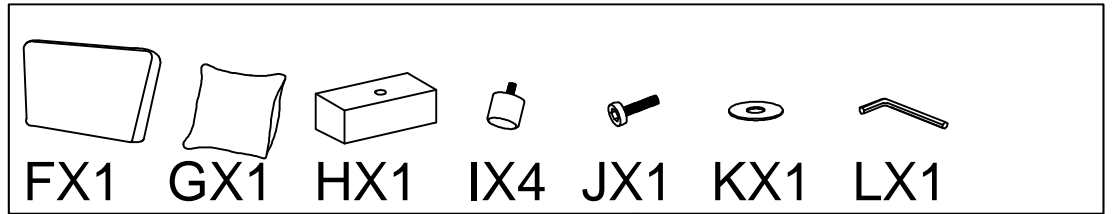
PARTS LIST

A  X1	B  X1	C  X1	D  X1	E  X1
F  X1	G  X1	H  X1	I  X4	J  X1
K  X1	L  X1			

Packing list:

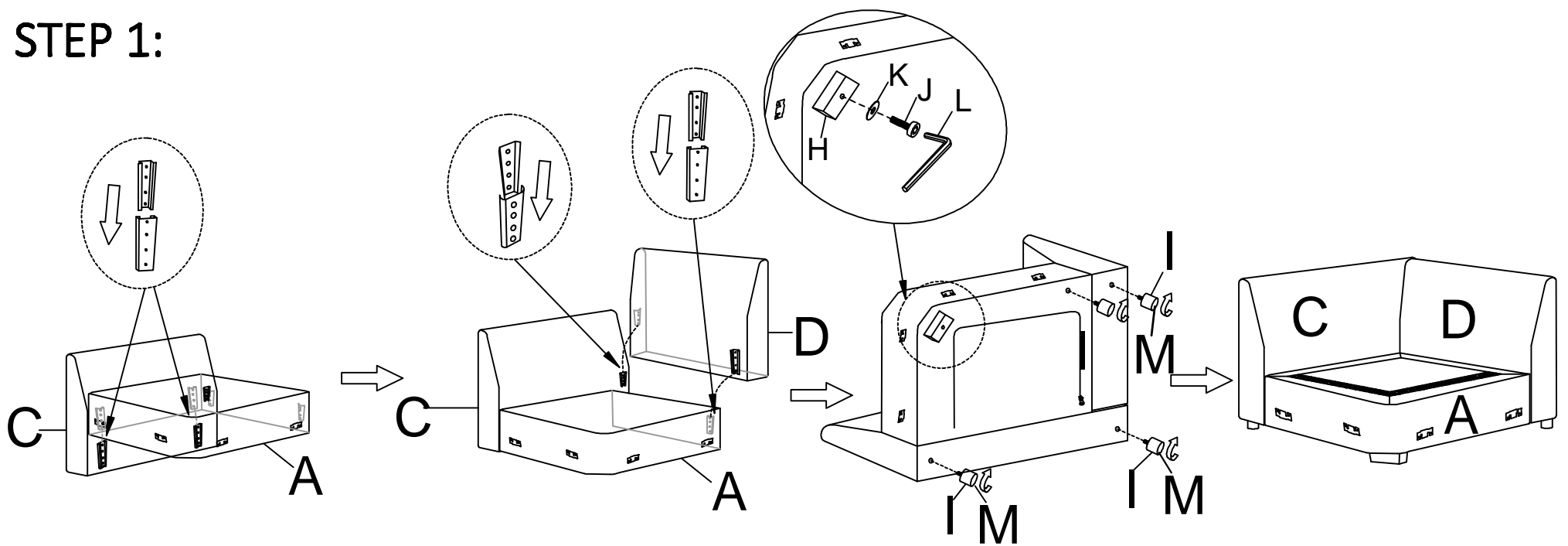


Carton 5/8

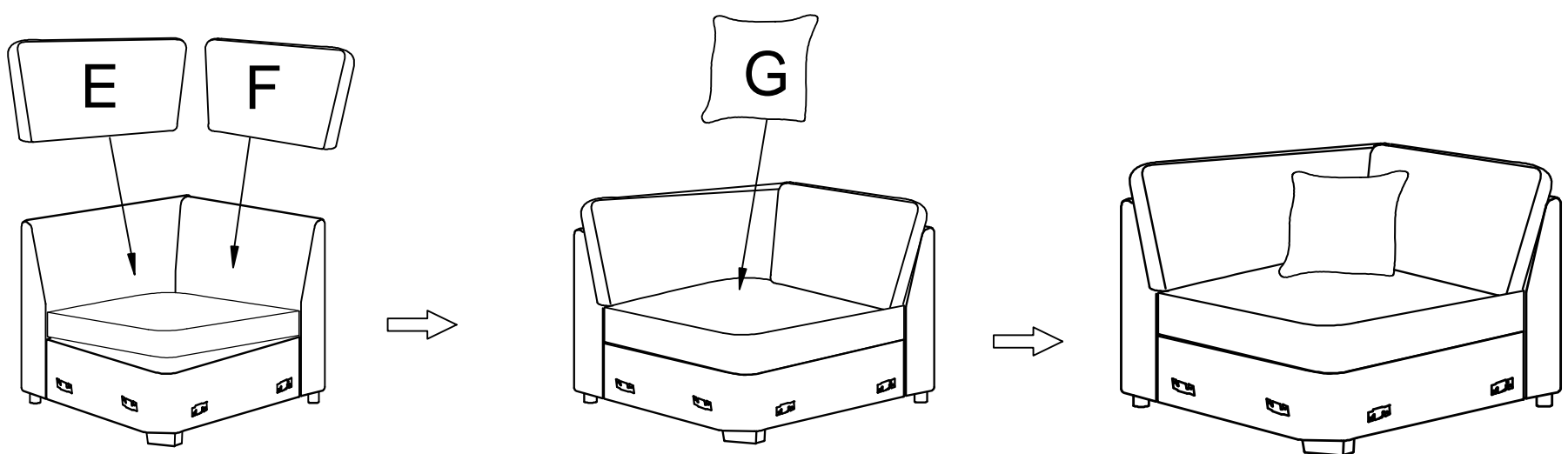


Carton 6/8

STEP 1:



STEP 2:



Toll-Free number: 1-833-273-2277