



TRADITIONAL

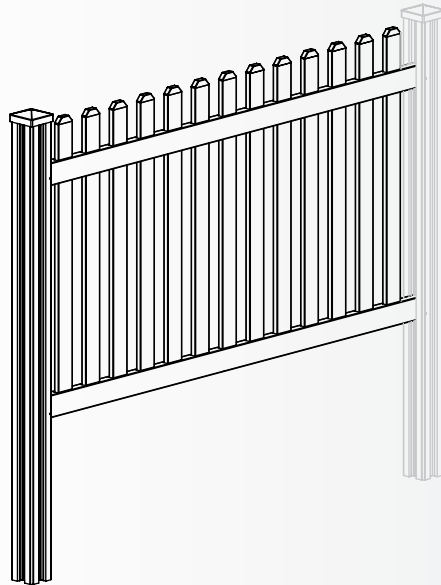
CLASSIC
VINYL PICKET
FENCE
(4'H X 7'W)

ASSEMBLY
INSTRUCTIONS
VF13003

60 MIN

Approximate assembly time

Want to see a video on how to
assemble this product?
Scan the QR code



GENERAL INFORMATION



IMPORTANT

- + Check the inside of the larger pieces in your box for other materials packed inside.
- + When assembling components, place on a non-abrasive surface (i.e. shipping box) to avoid scratching.
- + We recommend an area approximately 5'x 8' for unobstructed assembling.
- + You should not need to use excessive force when assembling components.

MISSING OR DAMAGED PARTS?

VISIT OUR WEBSITE FIRST, SO WE CAN HELP YOU RIGHT AWAY!

Although great care has been taken to ensure proper packaging and handling of this product, occasionally problems occur. If you discover any missing, damaged, or defective parts, please visit our website to order replacement parts. If you experience any further trouble with your product, please contact our customer service department.

 parts.nychbrands.com

 hmmm@wambamfence.com

 **704-892-5222 / 877-778-5733**

Customer service agents are available to take calls weekdays from 9am-5pm EST. If you call outside of business hours, please leave a voicemail.

To help you quickly and accurately, please have reference item number **VF13003** and the specific part name which can be found on page 7. It is helpful if you can provide the batch lot which is a stamped number on the inside of the box.

NEED ASSEMBLY HELP?

If you are having problems with the assembly or installation of this product, we are happy to assist you with the process, **so please give us a call at 704-892-5222 / 877-778-5733.**

NEED TO RETURN?

If for some reason you need to return this product, please allow us to help resolve your issues first. If you still decide to return the product, **you will need to initiate the return from the company you originally purchased from.**

**AVOID THESE
PITFALLS!**

HAVE YOU CONTACTED
YOUR **LOCAL UTILITIES?** **1**



You must call your local utilities before you start installing your fence to avoid puncturing any unseen underground utilities, especially electrical or gas lines. Fortunately, this is made easy for you.

*Simply call 811 in the US or visit www.call811.com.
In Canada, visit <http://www.clickbeforeyoudig.com/>
for a list of phone numbers by province.*

HAVE YOU CHECKED YOUR
LOCAL ZONING LAWS? **2**

Local zoning laws and Home Owners Associations may regulate the height, style, and placement of your fence. Some locations may even require a permit.

ARE YOU ABSOLUTELY SURE
WHERE YOUR **PROPERTY
LINE IS?** **3**

Ensure the installation of your fence is within your property line limits.

HAVE YOU TALKED TO YOUR
NEIGHBORS? **4**

Your fence will become part of their yard too, and you'll have an easier time building it if you can have access from both sides. Besides, you may get lucky if they decide to share the cost with you.

TOOLS AND MATERIALS YOU'LL NEED

- Safety Glasses
- 1ft. Torpedo Level
- 4ft. Level
(optional String Line Level)
- 2in. x 2in. x 6in. Inch Wood "Spacer" Block
(2 for each panel)
- Cordless Drill *(preferably with a high-torque setting)*
- Auger *(optional)*
- Shovel *(optional)*
- Any Power Or Hand Saw With A Fine-Toothed Blade
- String Line Stakes
- Spool of String
- Tape Measure

MURPHY'S VINYL FENCE LAWS

LET'S PRETEND (JUST FOR A MOMENT) THAT YOU LIVE IN A PERFECT WORLD.

To get started, we are going to walk you through how you would install the fence illustrated below.

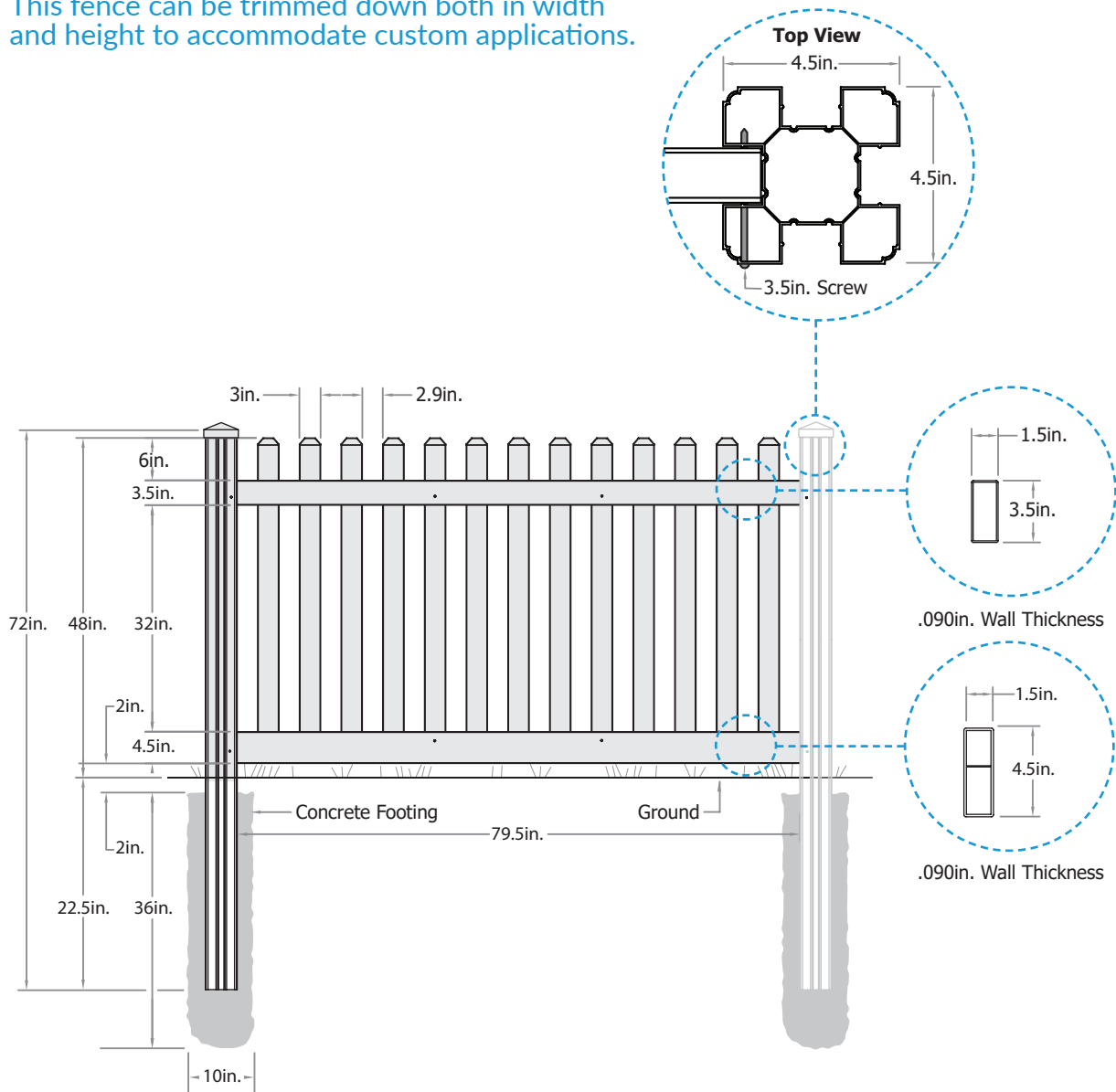
This is the perfect scenario with no curve balls. The ground is level, your fence sections all work out evenly, the birds are chirping, and the sky is blue.

Now back to reality. Your situation is almost guaranteed not to be like this. That's why we created "Murphy's Vinyl Fence Laws". This is a guide that outlines some of the different obstacles you could run into while installing your fence and how to overcome them. You can locate this information at: <https://wambamfence.com/knowledgebase/tag/murphys-fence-laws>

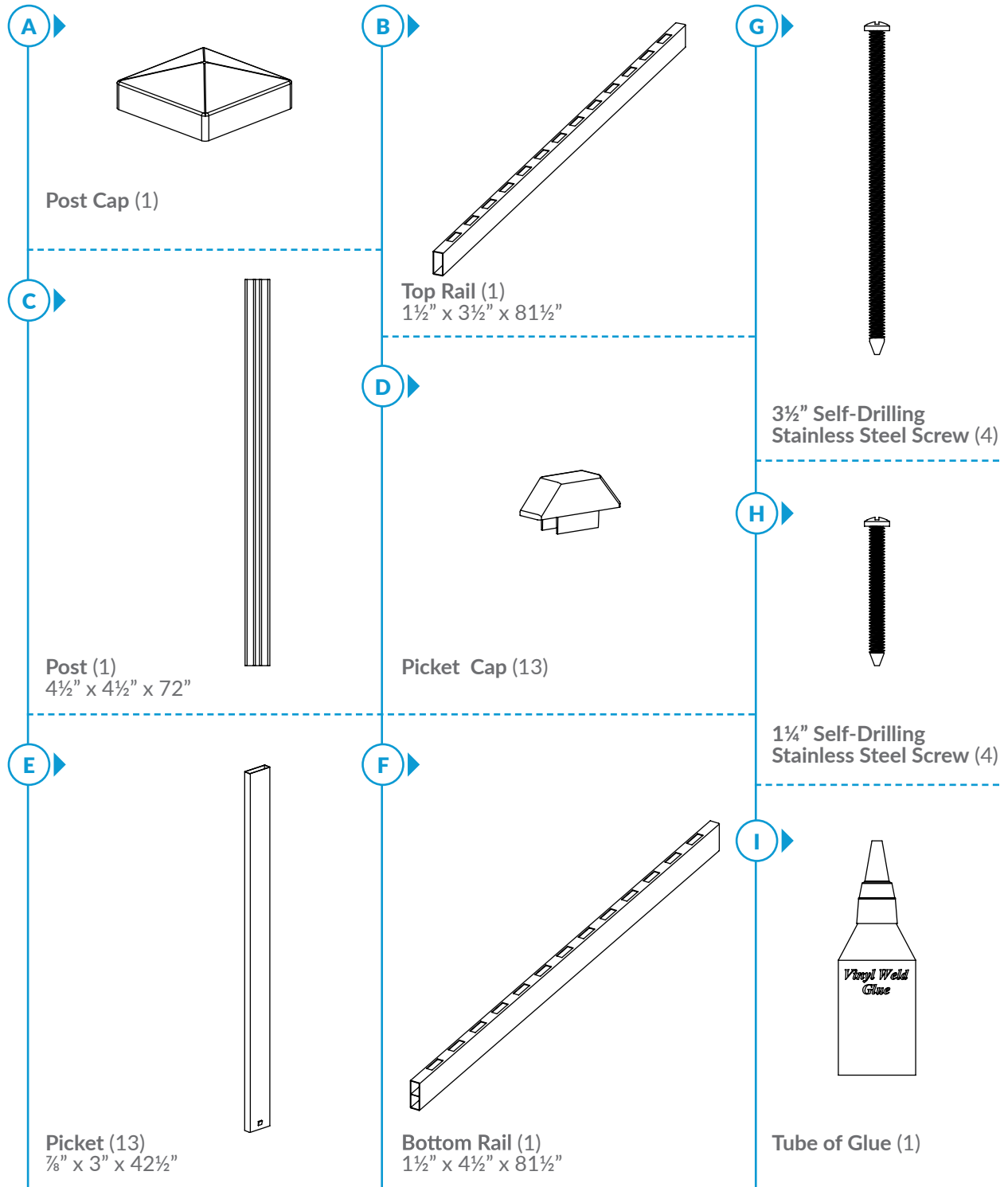


Detailed Product Dimensions & Specifications

This fence can be trimmed down both in width and height to accommodate custom applications.



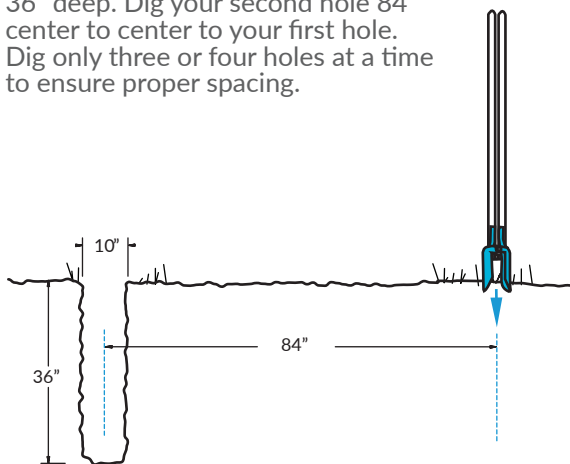
STEP 1: LAY OUT MATERIALS



STEP 2: INSTALL POSTS

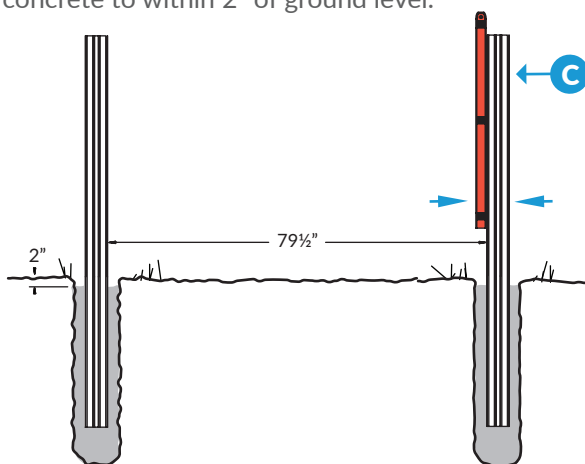
STEP 2.1

► After stringing your fence line, dig your first post hole 10" diameter x 36" deep. Dig your second hole 84" center to center to your first hole. Dig only three or four holes at a time to ensure proper spacing.



STEP 2.2

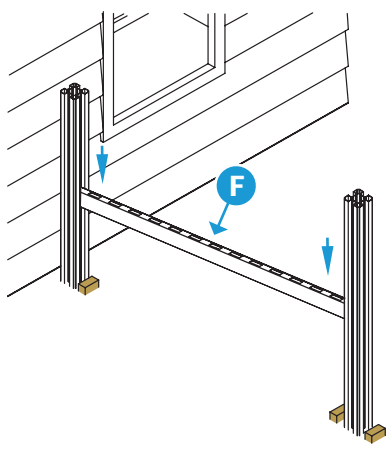
► Add approximately 18" of concrete to the bottom of the hole. Then, install Posts (C) straight and level. Add more concrete to within 2" of ground level.



STEP 3: INSTALL RAILS AND PICKETS

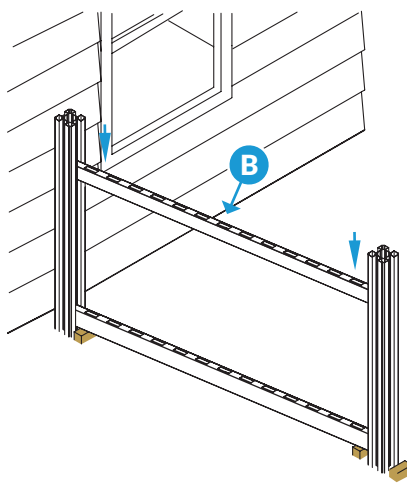
STEP 3.1

► Slide the Bottom Rail (F) through the channel in the post until it is about 2" above the ground. Use wooden blocks as temporary spacers.



STEP 3.2

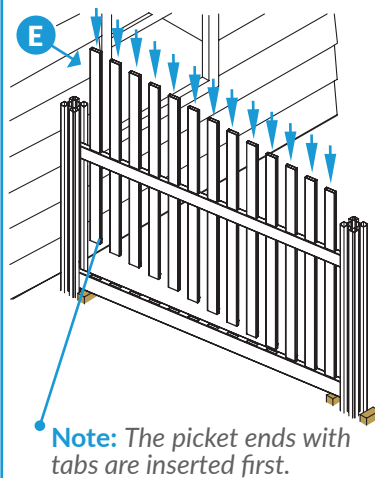
► Slide the Top Rail (B) through the channel in the post into the position as illustrated.



STEP 3.3

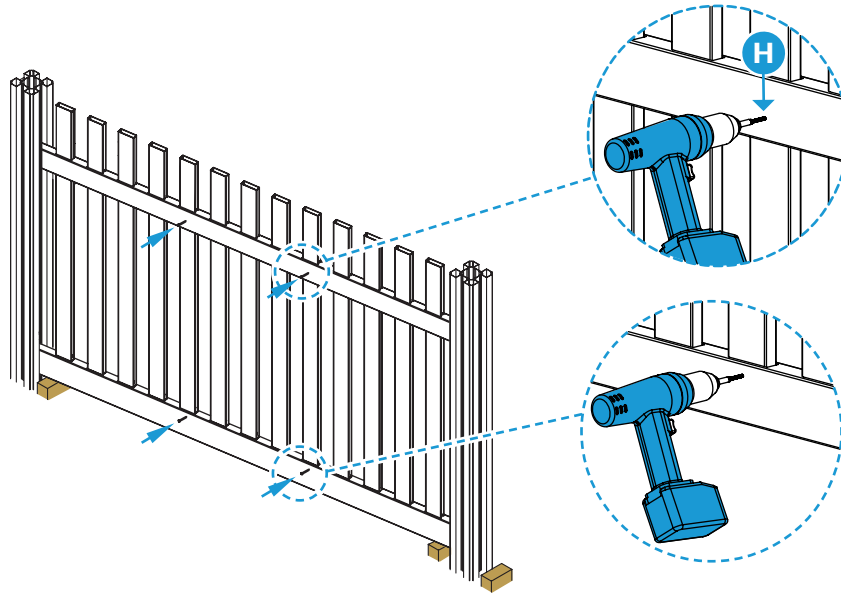
► Slide the Pickets (E) through the holes in the rails as illustrated.

Note: The pickets cannot be removed after being inserted into the bottom rail.



STEP 3.4

▶ Drive (4) 1¼" Self-Drilling Stainless Steel Screws (H) through the middle of the top rail and upper cavity of the bottom rail as illustrated. The height of the rails can now be adjusted as needed.

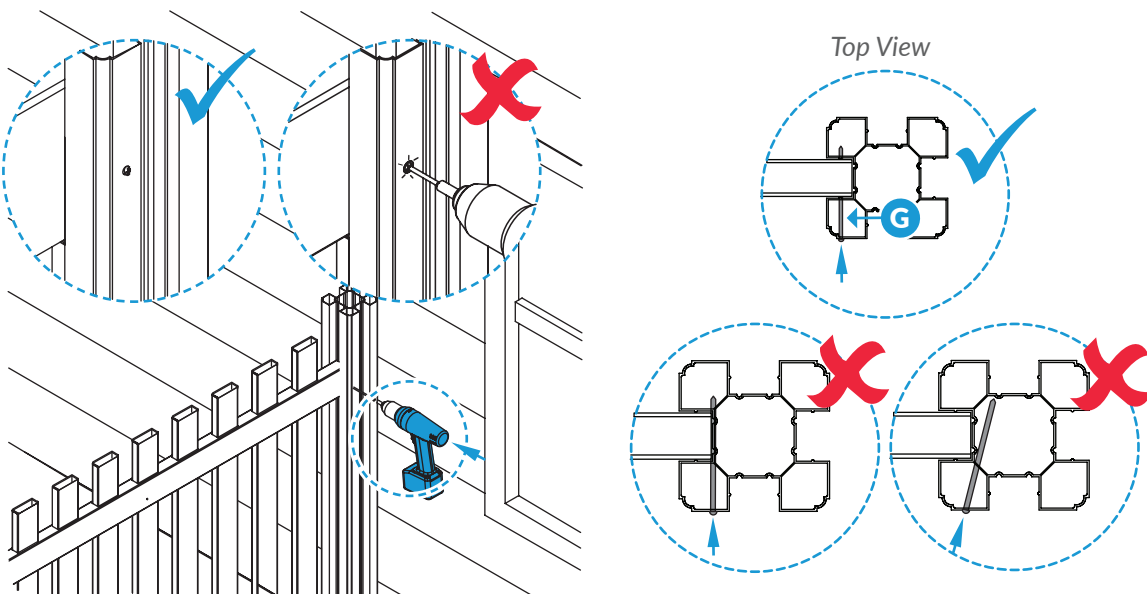


STEP 3.5

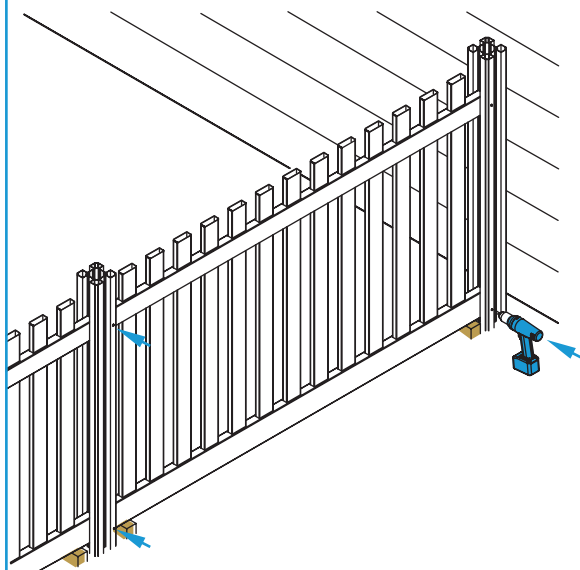
▶ Drive a 3½" Self-Drilling Stainless Steel Screw (G) through the posts into the rails.

Note: Do not over-tighten the 3½" self-drilling stainless steel screws because it will cause the vinyl to dimple.

Note: Position and drive the screws along the edge of the rounded post corner as shown. This is to ensure the rail is properly secured to post.



STEP 3.6



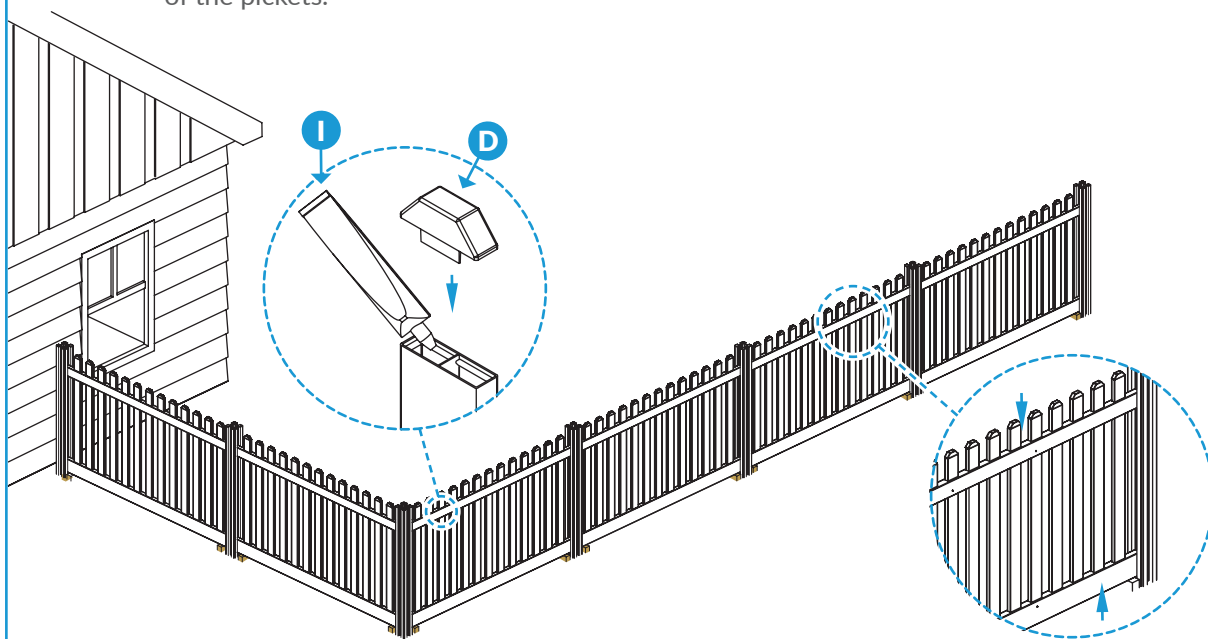
▶ Repeat in each remaining rail corner using (3) total 3½" self-drilling stainless steel screws.

Note: This step will ensure that your fence rails will never fall out of your posts like traditional vinyl fence rails sometimes do.

STEP 4: INSTALL PICKET AND POST CAPS

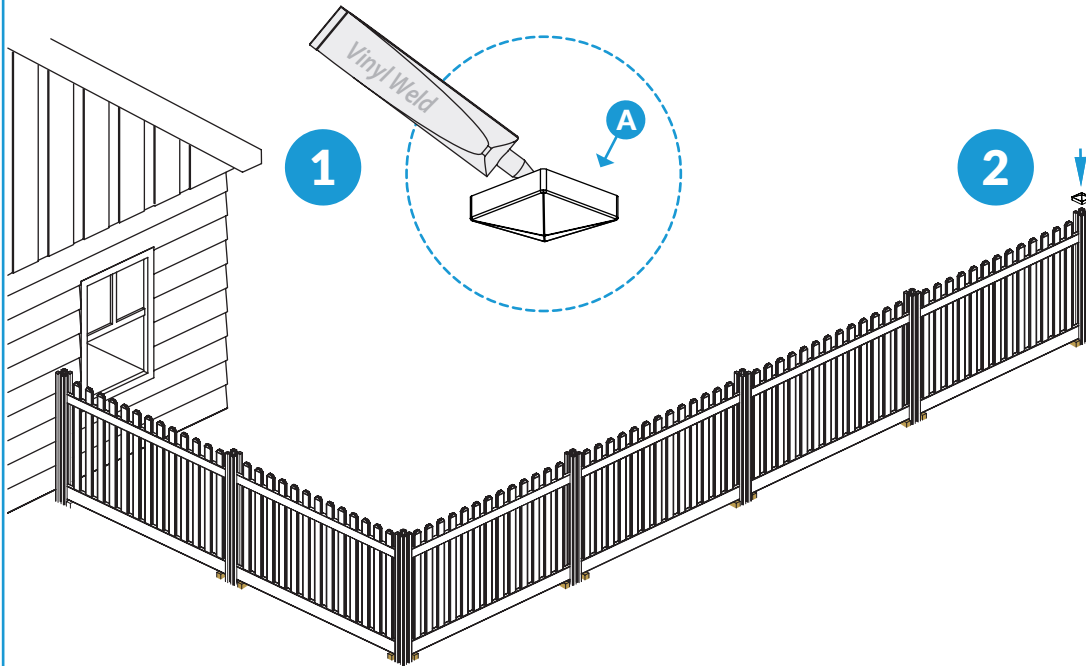
STEP 4.1

▶ Use the provided Tube of Glue (I) to attach the Picket Caps (D) onto the top of the pickets.



STEP 4.2 ▶

1. Put a small bead of vinyl glue or weld along the inside of the Post Cap (A).
2. Place the glued post cap on the post and allow to set for 5-10 minutes.



WamBam

Fun Name. Serious Fence.

TRADITIONAL



6935 Reames Rd. Ste. K.
Charlotte, NC 28216



hmmm@wambamfence.com

704-892-5222
877-778-5733



WWW.WAMBAMFENCE.COM