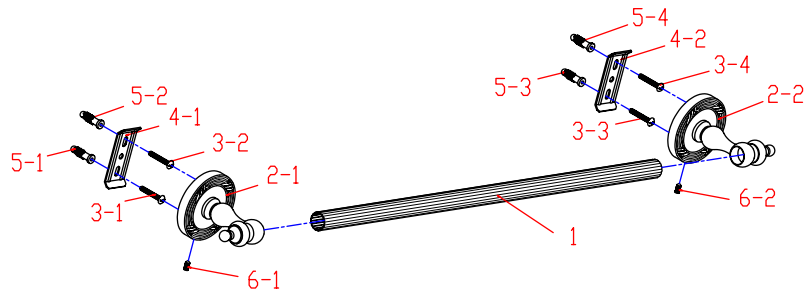
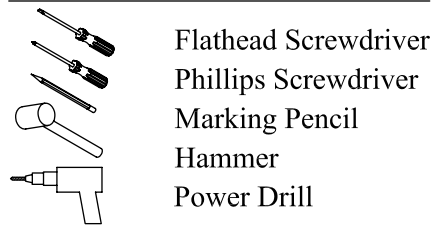


INSTALLATION SHEET



PART NAME	QUANTITY	PART NAME	QUANTITY
① Bar	1	④ Mounting Plate	2
② Base	2	⑤ Anchor	4
③ Mounting Screw	4	⑥ Slotted Set Screw	2

TOOLS REQUIRED



Installation Steps:

- Step 1. Locate position on the wall and mark outline of cover plate on the wall. (Fig.1)
- Step 2. Unscrew Slotted Set Screw at base and remove mounting plate. (Fig.2)
- Step 3. Locate mounting plate in the center of circle. Mark location of the mounting screw (Fig.2) and drill holes at the marked location. (Fig.3)
- Step 4. Insert anchors into the holes until flush with wall. (Fig.3)
- Step 5. Screw the mounting plate (with the lips facing out) to wall with mounting screw. (Fig.4)
- Step 6. Repeat steps from 3 to 6 to another side.
- Step 7. Place the unit, with the small hole of cover plate underneath, over the mounting plate by tightening slotted set screw with flathead screwdriver until the base is tightly fixed. (Fig.5)

Cleaning

- Clean with a damp cloth only.
- Avoid using metal or abrasive polishes.

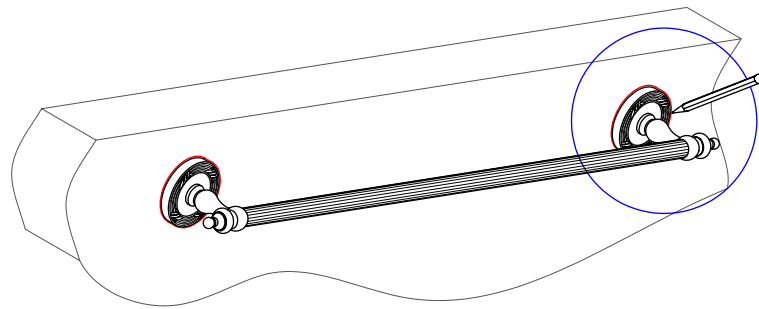


Fig. 1

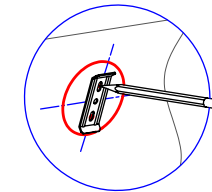


Fig. 2

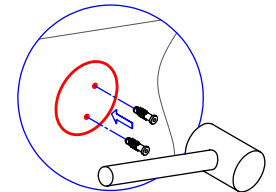


Fig. 3

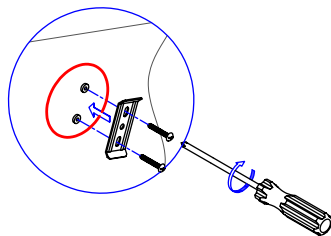


Fig. 4

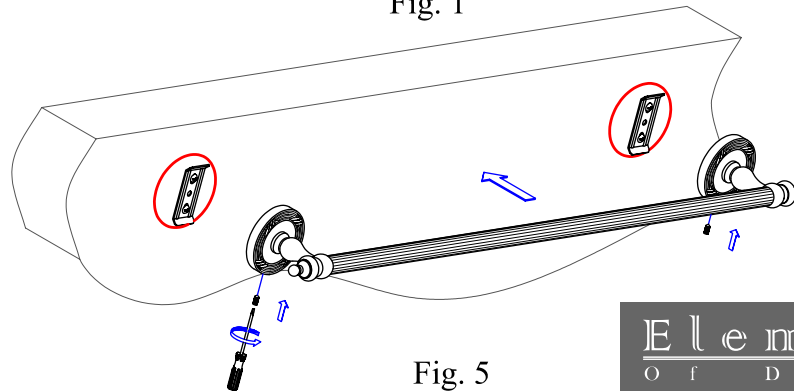


Fig. 5