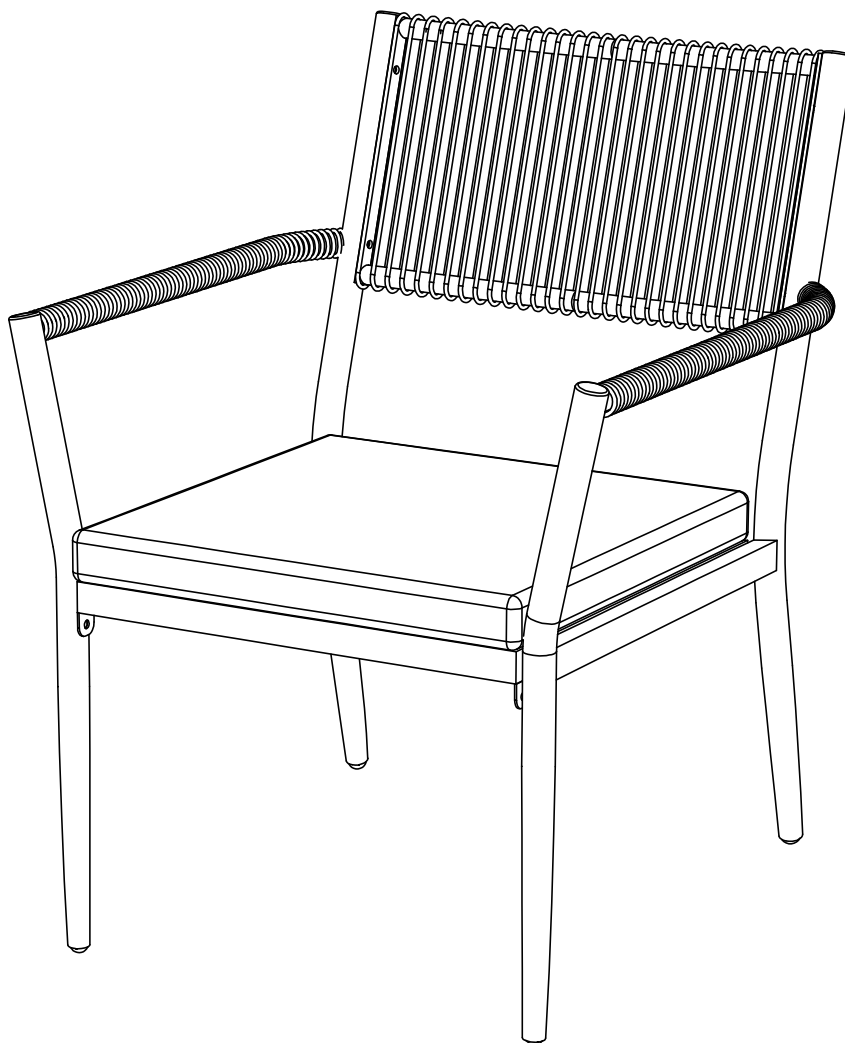
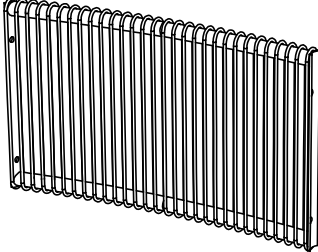
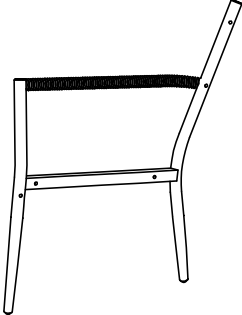
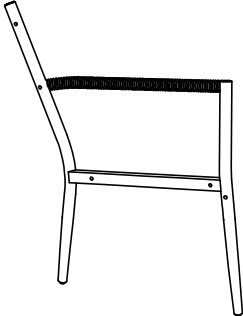
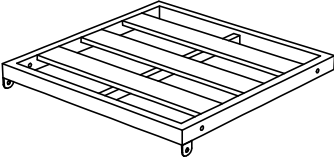
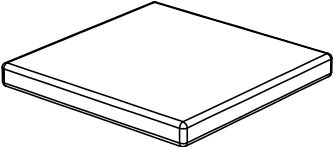


ASSEMBLY INSTRUCTION

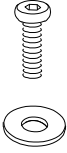
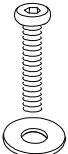
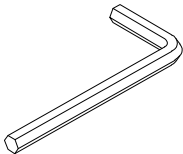
Patio Dining Chair



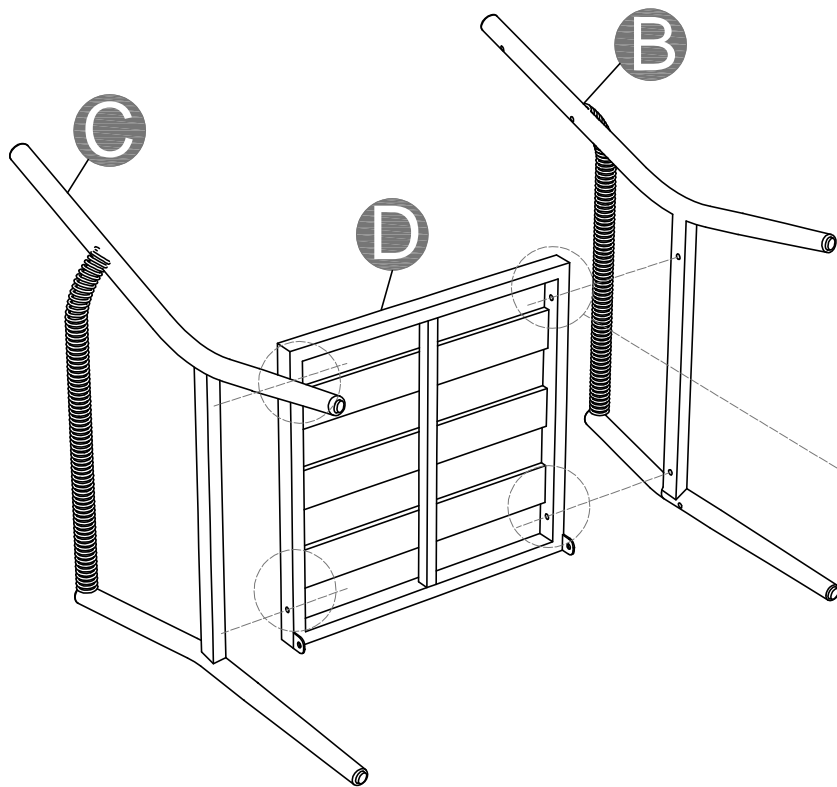
PARTS LIST



LABEL		DESCRIPTION	QTY
A		Backrest	2
B		Right Armrest	2
C		Left Armrest	2
D		Chair Plate	2
E		Seat Cushion	2


HARDWARE LIST

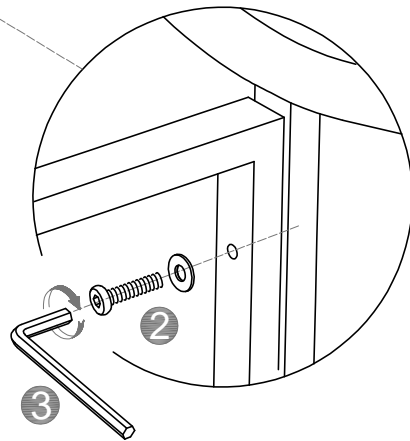
LABEL		DESCRIPTION	QTY
1	 M6x15	Bolts & Washers	12
2	 M6x35	Bolts & Washers	8
3	 M6	Allen Wrench	1

1

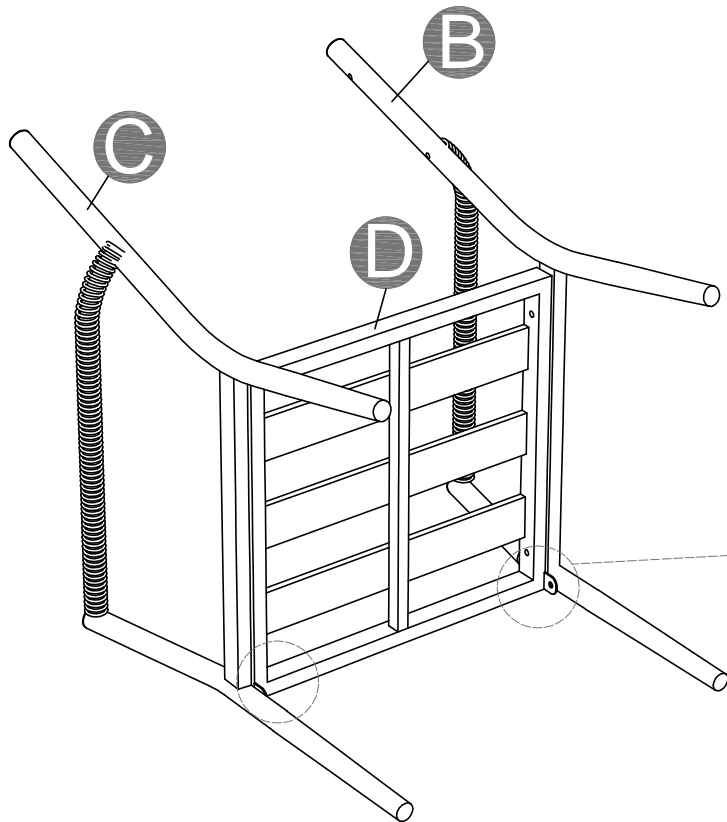




2 x4 M6x35		3  M6
---------------	---	--


 50%
--

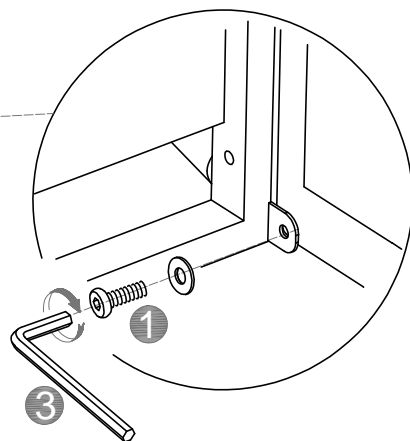


2

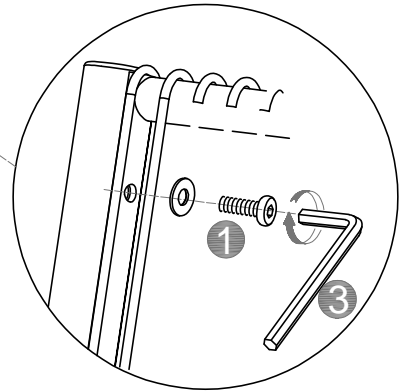
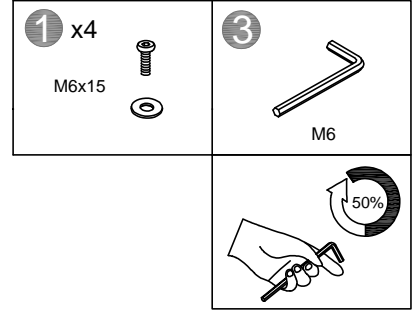


1 x2 M6x15		3  M6
---------------	---	--

 50%
--

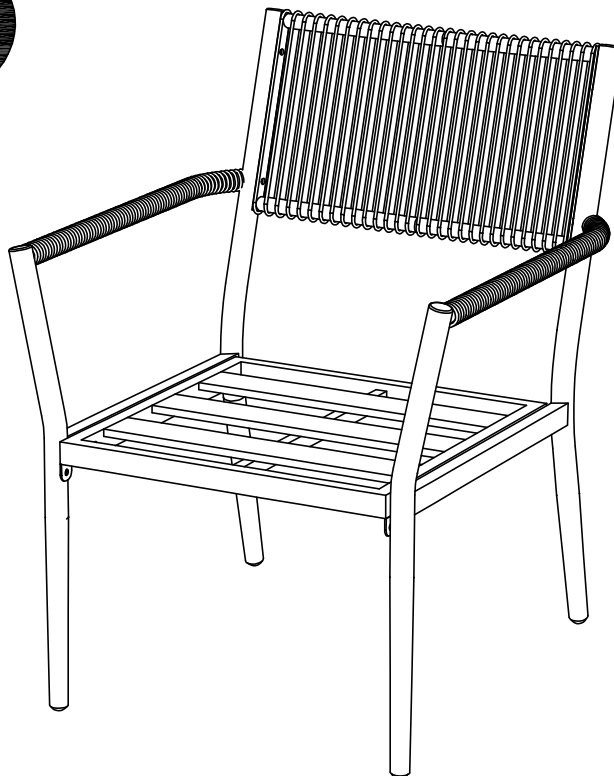
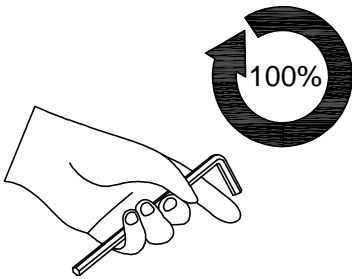


3

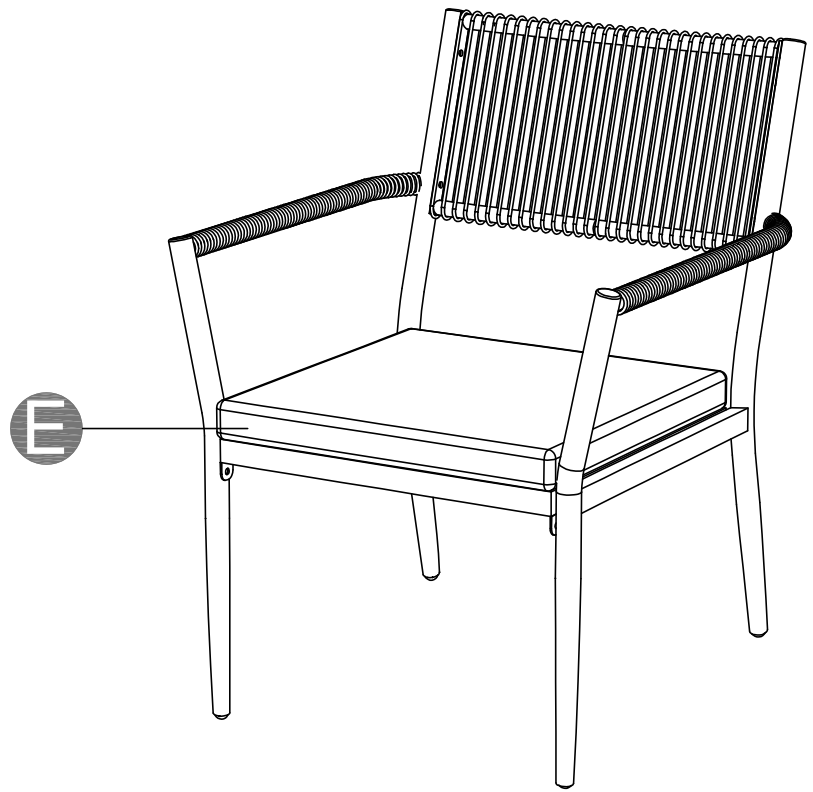


4

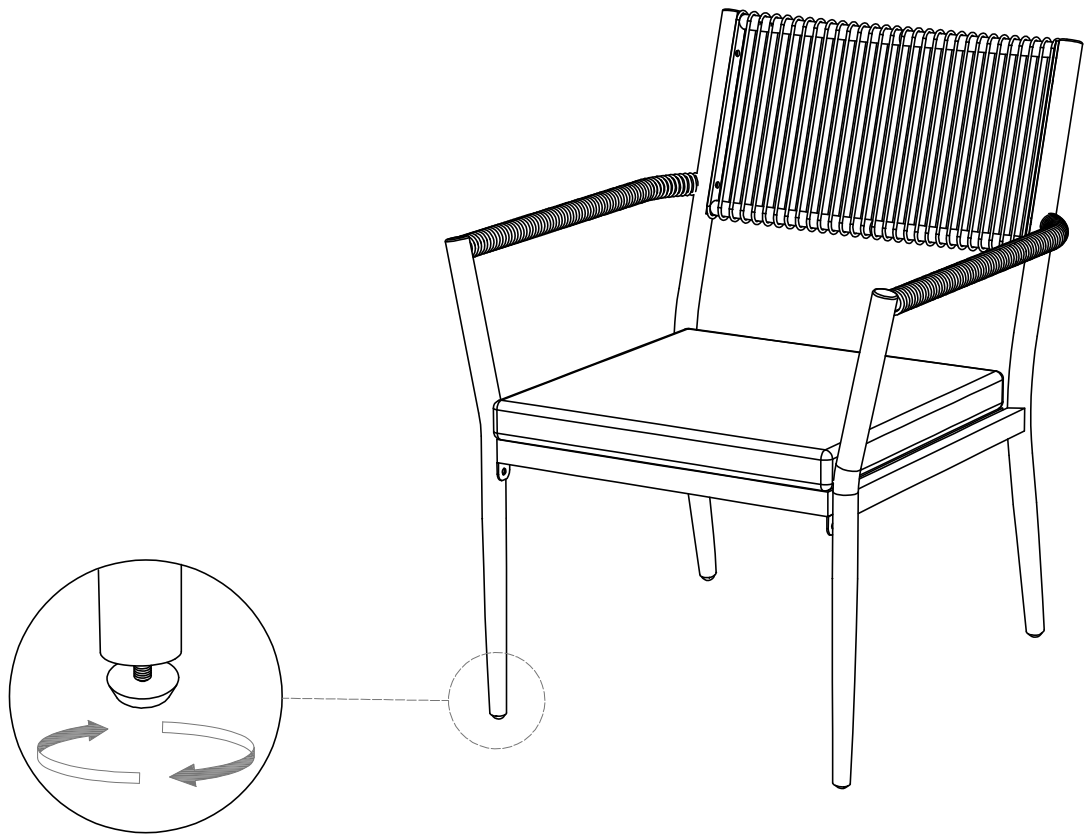
Tighten the screws to 100% tightness



5



6



Note: Each leg has an adjustable footleveler to help level your chair.