


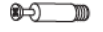
















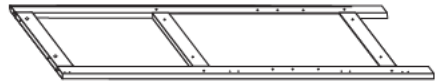

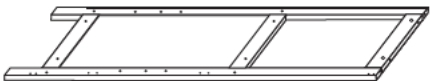
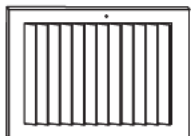

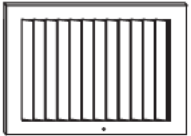

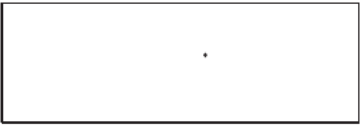
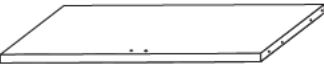
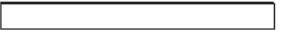

USER'S MANUAL
Bathroom Cabinet

PRODUCT ASSEMBLY

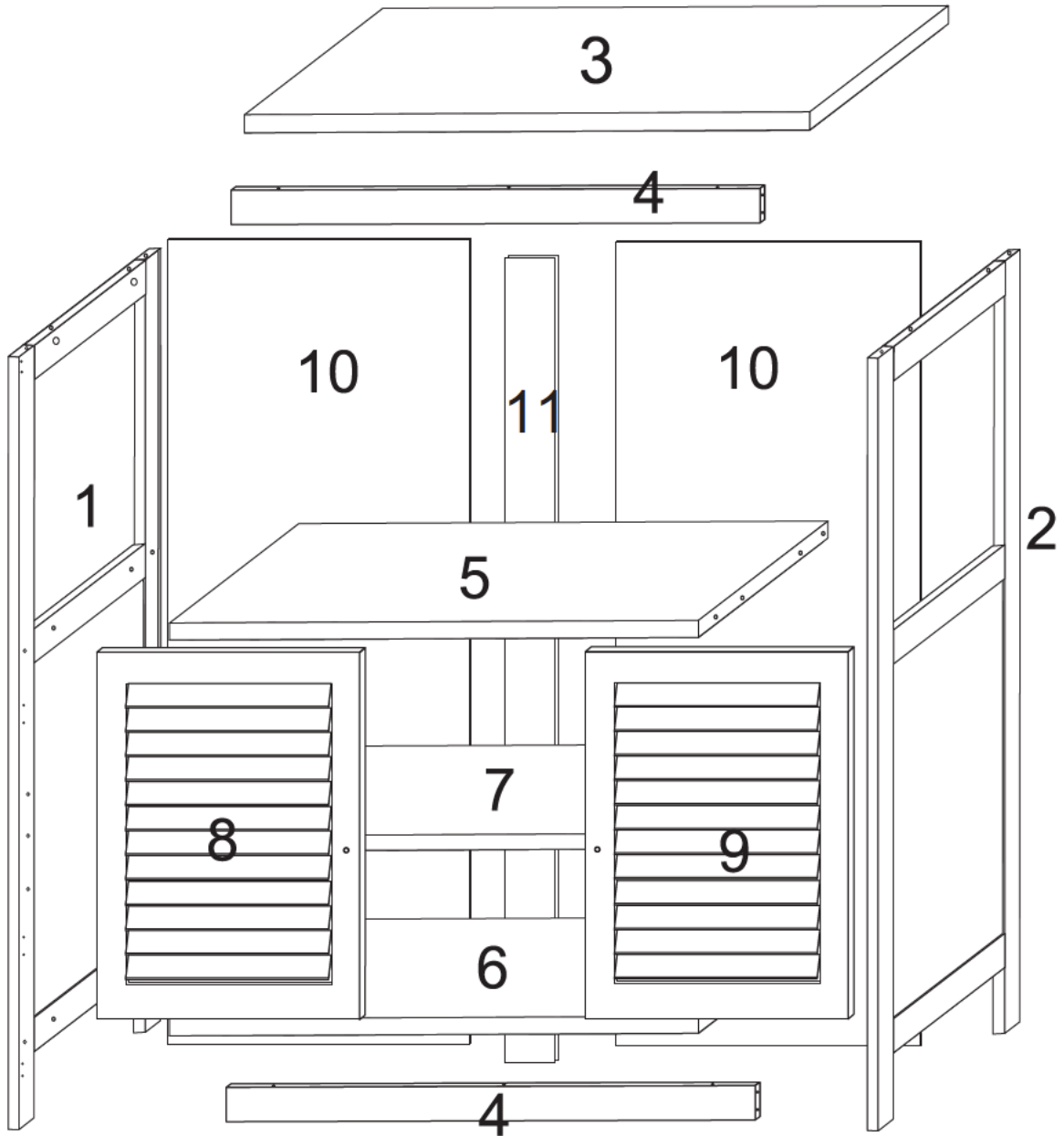
Hardware List

A	 6*30mm	16 pcs	H	 2 pcs	O	 1 pc	
B	 6*35mm	16 pcs	I	 1 pc	P	 8 pcs	
C	 16 pcs	J	 3*14mm	3 pcs	Q	 3*16mm	8 pcs
D	 4 pcs	K	 4 pcs	R	 2.5*10mm	2 pcs	
E	 2 pcs	L	 1 pc				
F	 3*12mm	18 pcs	M	 2 pcs			
G	 4*16mm	2 pcs	N	 4*40mm	7 pcs		

Parts List

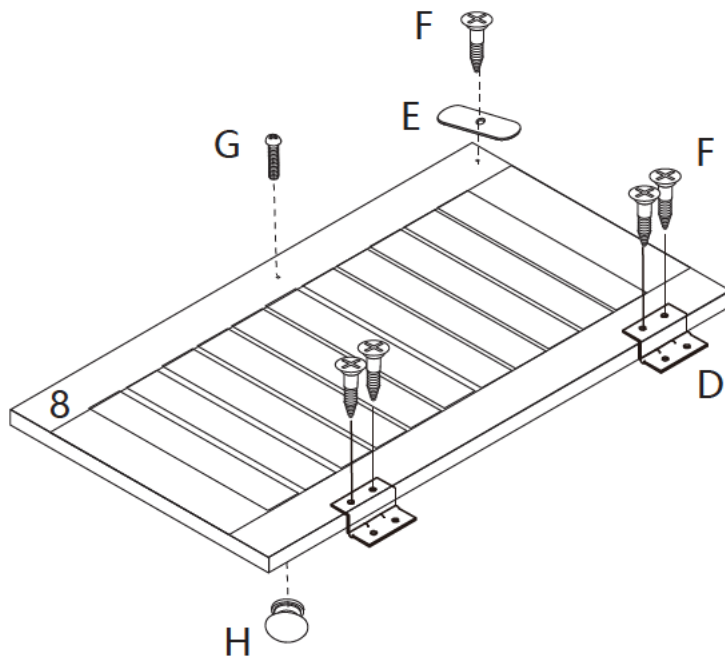
1	 Left Panel	1 pc	7	 Adjustable Shelf	1 pc
2	 Right Panel	1 pc	8	 Left Door	1 pc
3	 Top Panel	1 pc	9	 Right Door	1 pc
4	 Connect Bar	2 pcs	10	 Back Panel	2 pcs
5	 Fixed Shelf	1 pc	11	 Back Connect Bar	1 pc
6	 Bottom Shelf	1 pc			

Part List Assembly Overview

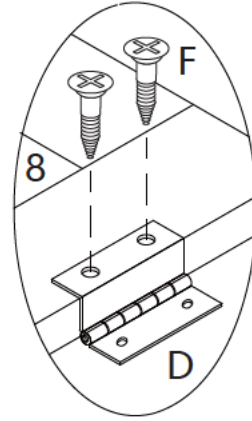


PRODUCT ASSEMBLY

STEP 1

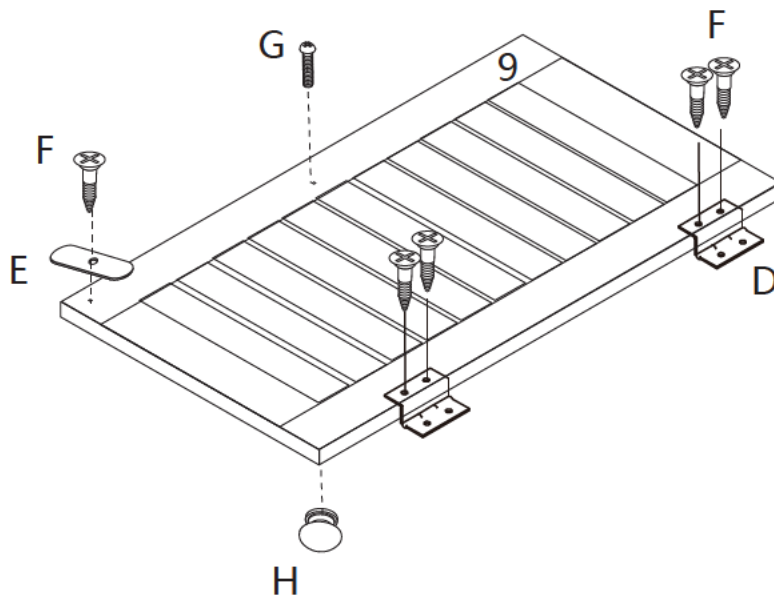


D		2 pcs
E		1 pc
F		5 pcs
G		1 pc
H		1 pc

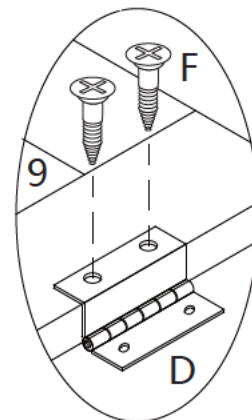


- a) Attach Hinge (D) and Magnetic Bar (E) to Left Door (8) using Screw (F) as shown.
 b) Attach Knob (H) to Door using Bolt (G).

STEP 2



D		2 pcs
E		1 pc
F		5 pcs
G		1 pc
H		1 pc

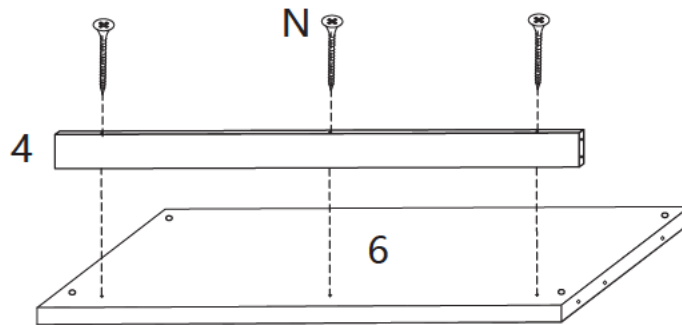


- a) Attach Hinge (D) and Magnetic Bar (E) to Right Door (9) using Screw (F) as shown.
 b) Attach Knob (H) to Door using Bolt (G).

PRODUCT ASSEMBLY




STEP 3

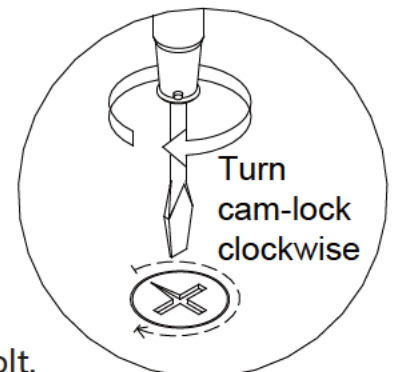
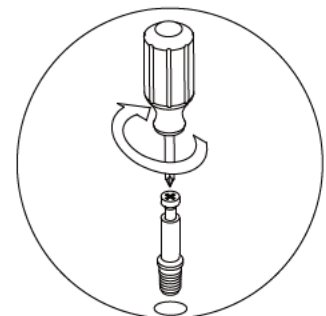
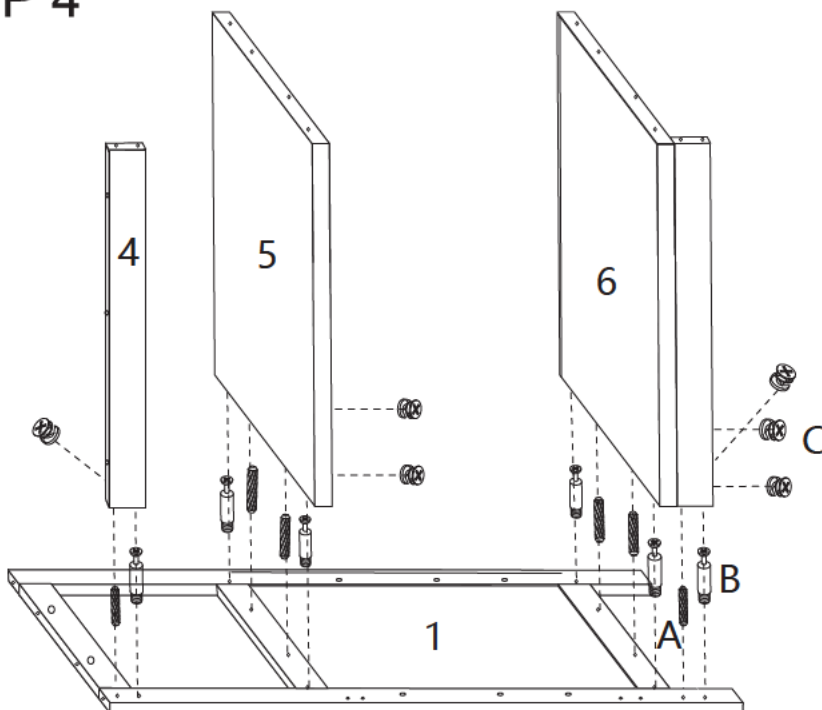
N  3 pcs



Attach Connect Bar (4) to Bottom Shelf (6) using Screw (N).

STEP 4


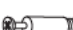

A  6 pcs
 B  6 pcs
 C  6 pcs

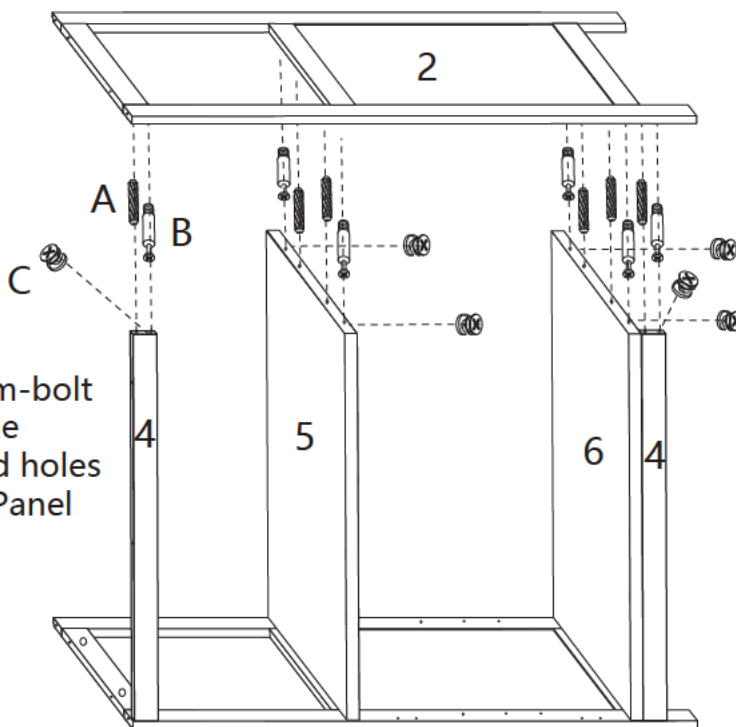


- Screw Cam-bolt (B) into the pre-drilled holes on Left Panel (1).
- Attach Connect Bar (4), Fixed Shelf (5) and Bottom Shelf (6) to (1) via Wood Dowel (A) and Cam-bolts on (1).
- Insert Cam-lock (C) and turn it clockwise to lock onto Cam-bolt.

PRODUCT ASSEMBLY

STEP 5

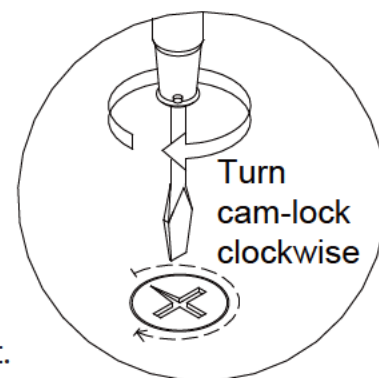
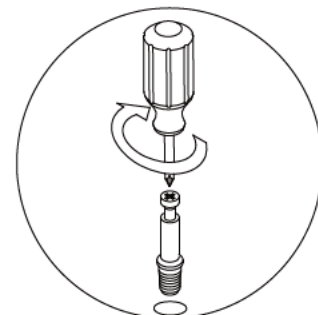
A		6 pcs
B		6 pcs
C		6 pcs



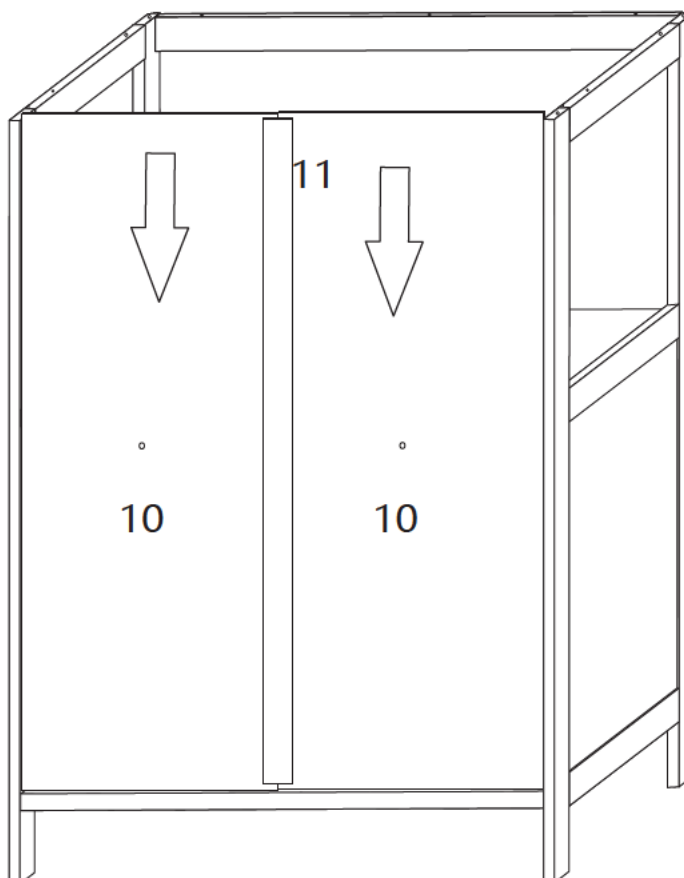
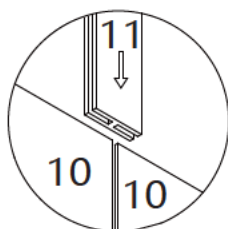
a) Screw Cam-bolt (B) into the pre-drilled holes on Right Panel (2).

b) Attach (2) to (4, 5 & 6) via Wood Dowel (A) and Cam-bolts on (2).

c) Insert Cam-lock (C) and turn it clockwise to lock onto Cam-bolt.



STEP 6

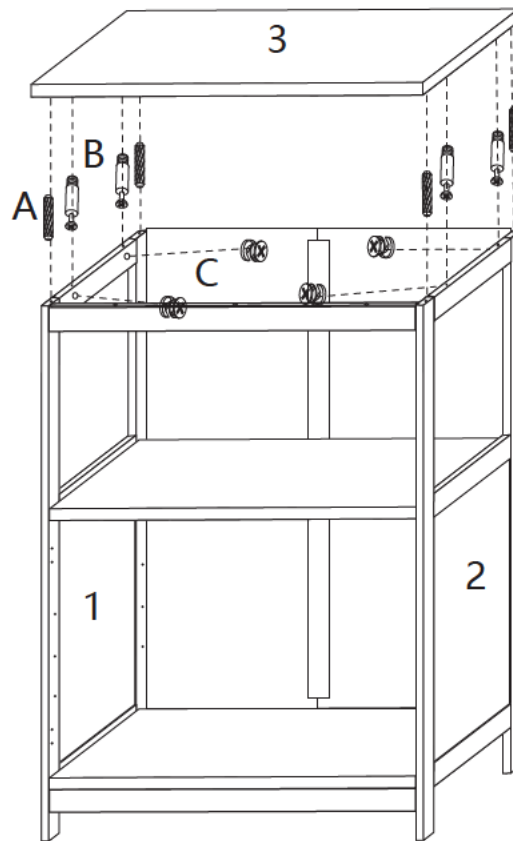


a) Slide in the Back Panel (10) via the groove on Side Panel and Bottom Shelf.

b) Slide in Back Connect Bar (11) between two Back Panels.

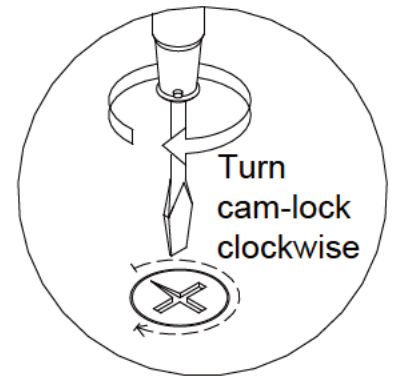
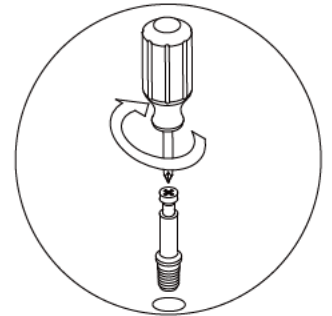
PRODUCT ASSEMBLY

STEP 7

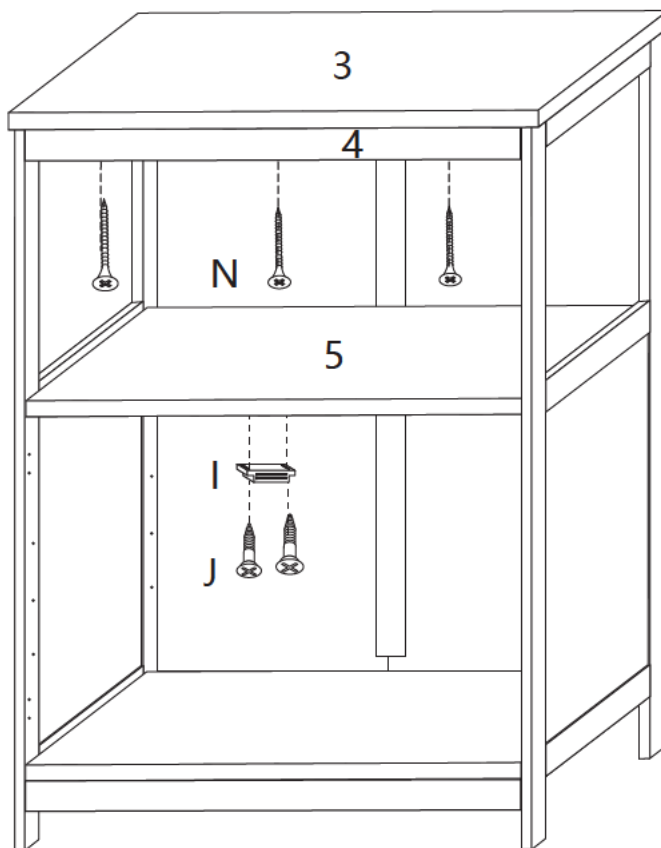


A		4 pcs
B		4 pcs
C		4 pcs

- Screw Cam-bolt (B) into the pre-drilled holes on Top Panel (3).
- Attach (3) to (1 & 2) via Wood Dowel (A) and Cam-bolts on (3).
- Insert Cam-lock (C) and turn it clockwise to lock onto Cam-bolt.



STEP 8



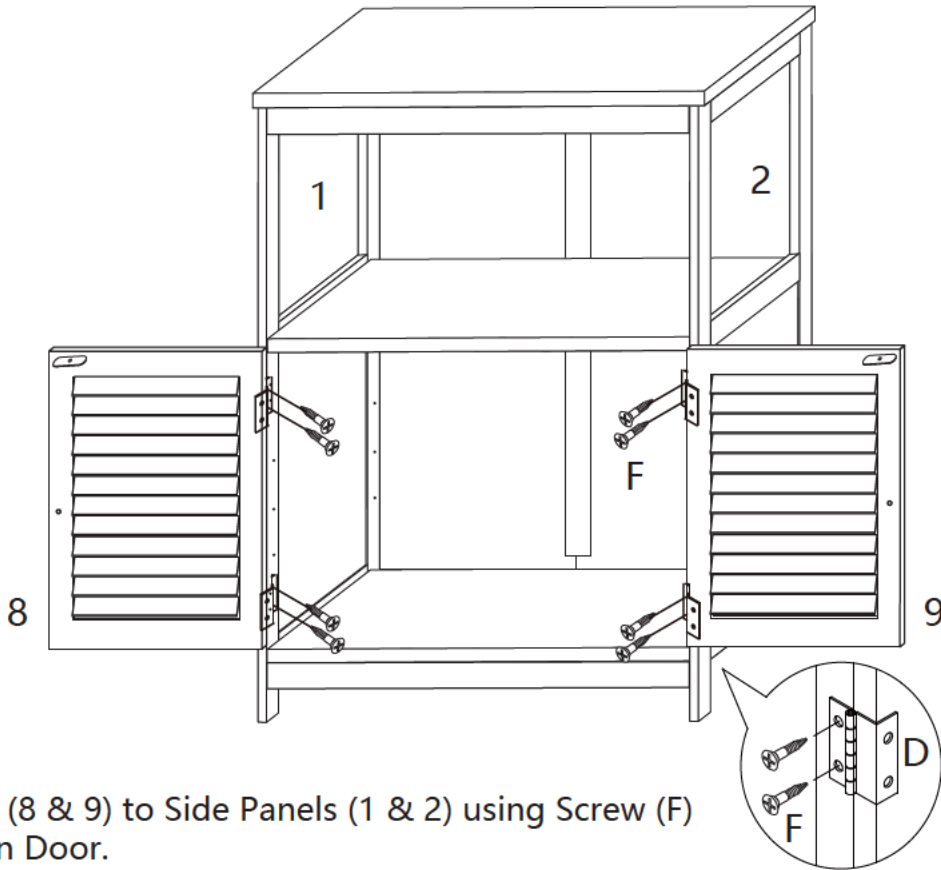
I		1 pc
J		2 pcs
N		3 pcs

- Affix Connect Bar (4) to Top Panel (3) using Screw (N).
- Attach Magnetic Catch (I) to Fixed Shelf (5) using Screw (J).

PRODUCT ASSEMBLY

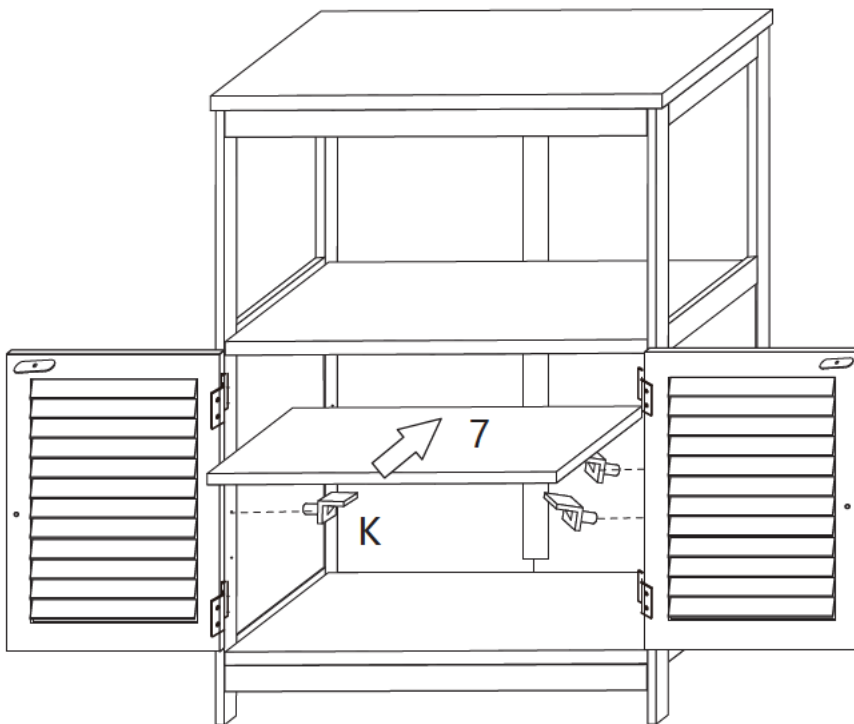
STEP 9

F  3*12mm 8 pcs



STEP 10




F  4 pcs

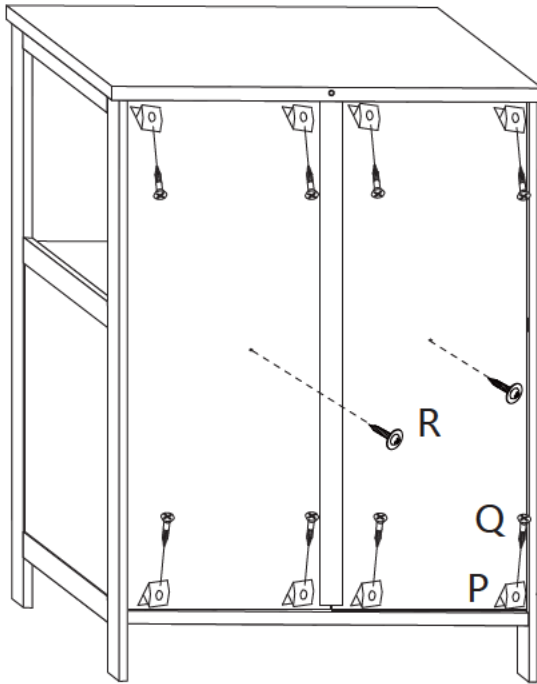


Insert Shelf Pin (F) into the pre-drilled hole on Side Panels and place Adjustable Shelf (7) on it.

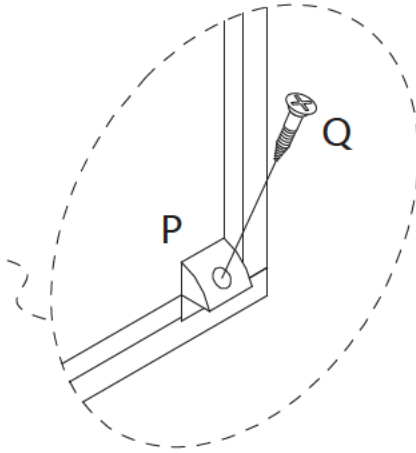
PRODUCT ASSEMBLY

STEP 11

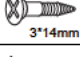




P		8 pcs
Q		8 pcs
R		2 pcs

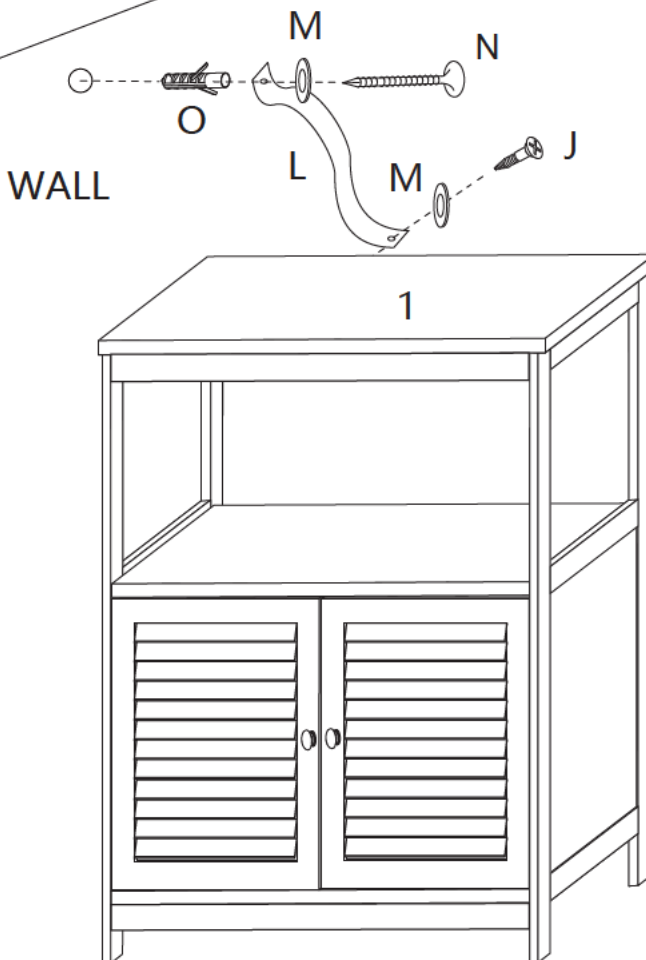


- a) Attach Fixed Button (P) to the groove for back panel by using Screw (Q) as shown.
- b) Affix Back panel to Fixed Shelf using Screw (R).



STEP 12

J		1 pc
L		1 pc
M		2 pcs
N		1 pc
O		1 pc



- a) Attach Bandage (L) to Top Panel using Flat Washer (M) and Screw (J).
- b) Drill a hole (as per diameter of Plastic Anchor) in the drywall.
- c) Insert Plastic Anchor (O) into the drywall.
- d) Fixed the product to the drywall using Flat Washer (M) and Screw (N).