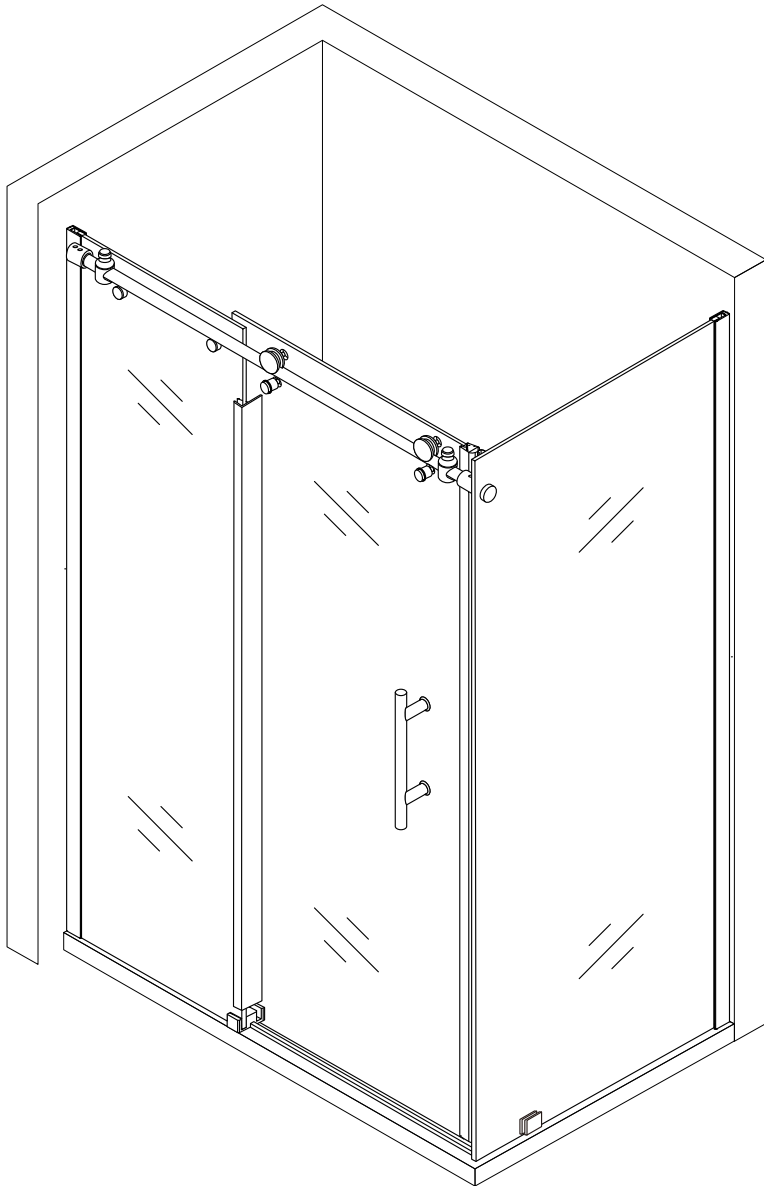


INSTALLATION MANUAL

FOR SHOWER DOOR

INSTALLATION INSTRUCTIONS

Shower Door



SAFETY INFORMATION

CAUTION

Please carefully read the following important safety information before handling or installing this shower door. There is a risk of serious injury while handling this product.

To minimize these risks, please note:

Always wear safety glasses and gloves while handling.

Always follow the installation instructions. Inspect glass for damage before installation.

Extreme caution should be taken while handling the glass during installation as the tempered glass may shatter if in contact with a hard surface.

Do not cut or modify the tempered glass as it will shatter if cut.

Carefully remove product from packaging and keep packaging until installation is complete.

Inspect all parts for damage or missing; If there is damage or part missing to the unit prior to installation, please contact customer service at the number provided in this guide.

Cover the drain with tape to prevent the loss of small parts.

The shower base and finished walls should be installed before beginning the shower door installation.

During the installation, protect the shower floor with a drop cloth to avoid damage. This product should be installed by two people who are familiar with construction requirements. Professional installation is recommended!

Keep this installation manual for future reference.

NOTE: Two people should perform this installation.

NEED TOOLS



Safety Glasses



Silicone Adhesive Sealant



Tape Measure



Rags



Drill Bits



Drill



Screwdriver



Pencil



Hammer



Knife

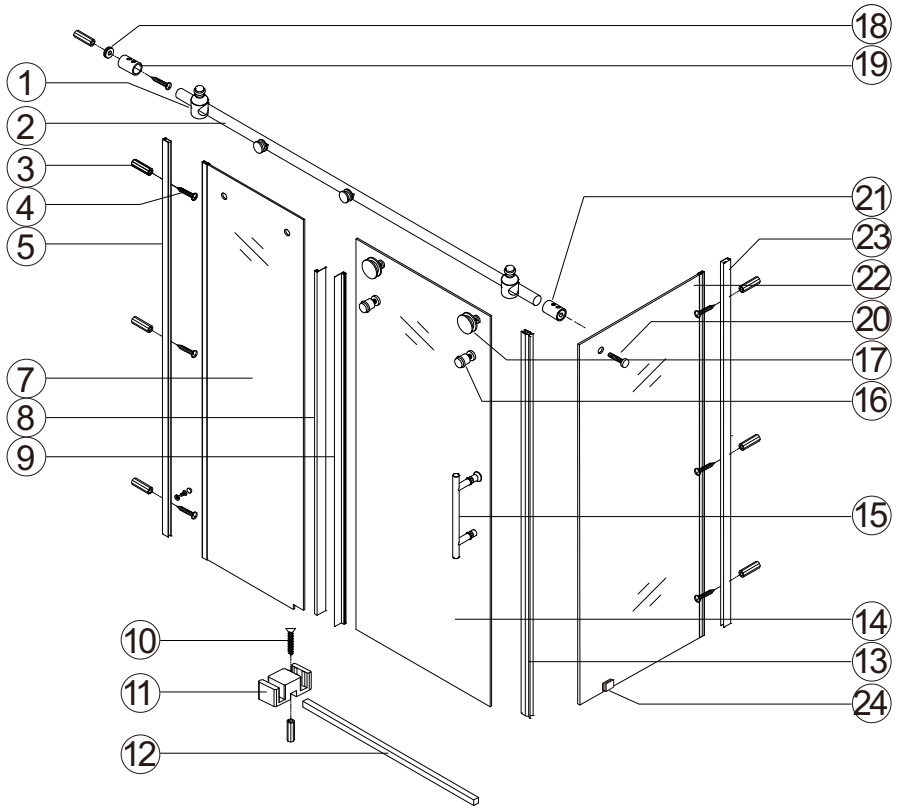



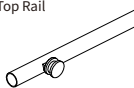
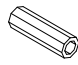

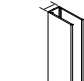

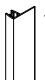


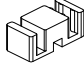
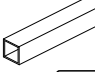
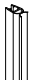
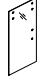




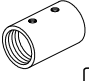
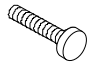



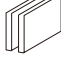
Glove



Spirit Level

ESSENTIAL ACCESSORIES LIST




① Glass Door Dropper  2Pcs	② Top Rail  1 Pc	③ Wall Anchor  10Pcs	④ Screw ST4x30  10Pcs	⑤ Wall Jamb 14.6mm  2Pcs	⑦ Fixed Glass Panel 1  1 Pc
⑧ Fixed Glass Side Seal Strip 1795mm  1 Pc	⑨ Glass Door Side Seal Strip 1810mm  1 Pc	⑩ Screw ST5x30  1 Pc	⑪ Bottom Guide Block  1 Pc	⑫ Anti-splash Threshold  1 Pc	⑬ Glass Door Bumper Strip  1 Pc
⑭ Sliding Glass Door  1 Pc	⑮ Handel Set  1 Pc	⑯ Safety Pin  2Pcs	⑰ Roller  2 Pcs	⑱ Round Flat Fixing Piece  1Pc	⑲ Top Rail Bracket  1Pc
⑳ Screw  1Pc	㉑ Top Rail Bracket  1Pc	㉒ Fixed Glass Panel 2  1Pc	㉓ Side Wall Jamb 16.6mm  1Pc	㉔ Bottom Bracket  1Pc	


NOTE: Verify all parts before starting. Contact customer service if anything is missing or damaged.


WARM TIPS


The shower door is attached with explosion proof film, please use it in normal temperature.


DO NOT:


Acidic
cleaners



Gasoline


Alcohol

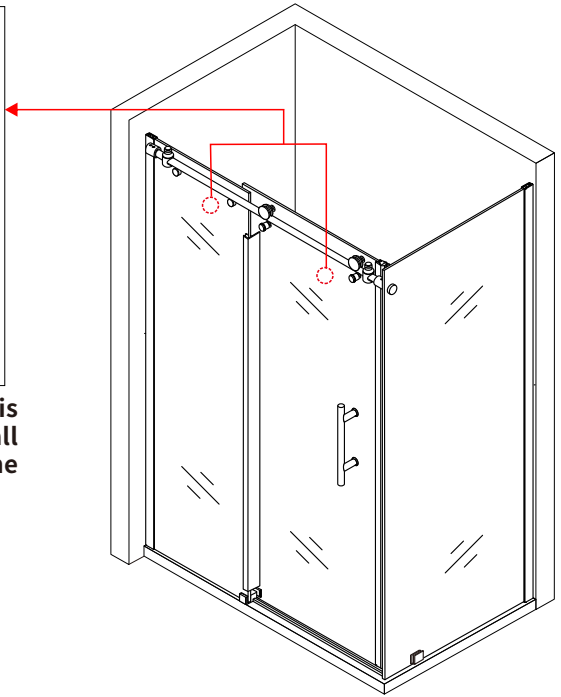

Fire


Hard sharp
object

1. Take care to protect the film to prevent scratches during installation.
 2. Use soft cloth and soap water to clean the shower door.


Attention

Note: The explosion-proof film is pre-applied to the glass. Install with the film facing inside the shower area.

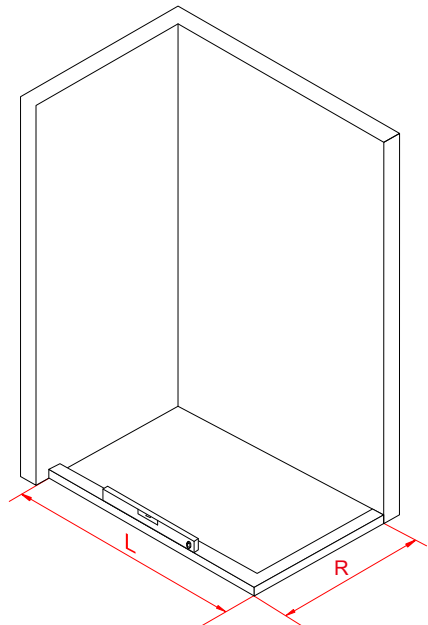


IMPORTANT:

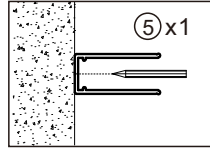
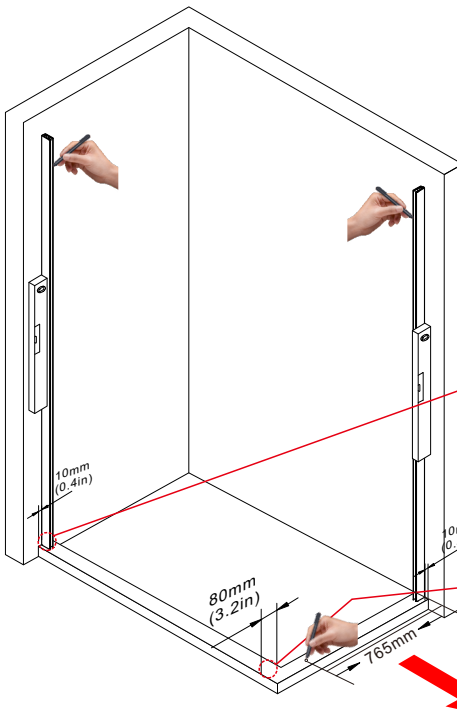
Measure the distance “L” between the two finished walls and verify that it matches the specified installation width of your purchased model.
 Note: If “L” < 1209 mm (47.6 in), the top rail can be trimmed to fit. Use a fine-tooth saw to remove all cutting edge burrs before installation.

	L
1219 mm	1209-1219 mm
48 in	47.6-48 in

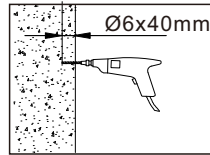
	R
900mm	900-910mm
35.4in	35.4-35.8in



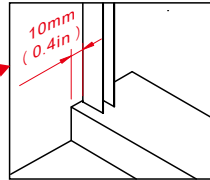
Step1: Install the wall jamb ⑤ and side wall jamb ②.



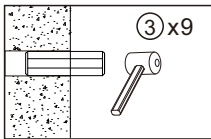
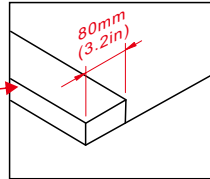
Keep the wall jamb ⑤ vertical, and mark the locations of all screw holes with a pencil.



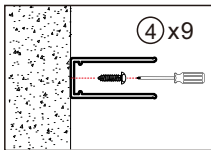
Remove the wall jamb, then drill pilot holes at the marked locations using a Ø6x40 mm drill bit.



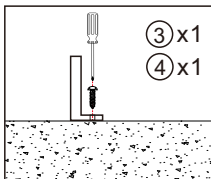
NOTE: This shower door can be installed directly on the ground. If there is a threshold, 80mm (3.2 in) is the most suitable width, 10mm (0.4 in) on the threshold outside the door needs to be left when installing the wall jamb.



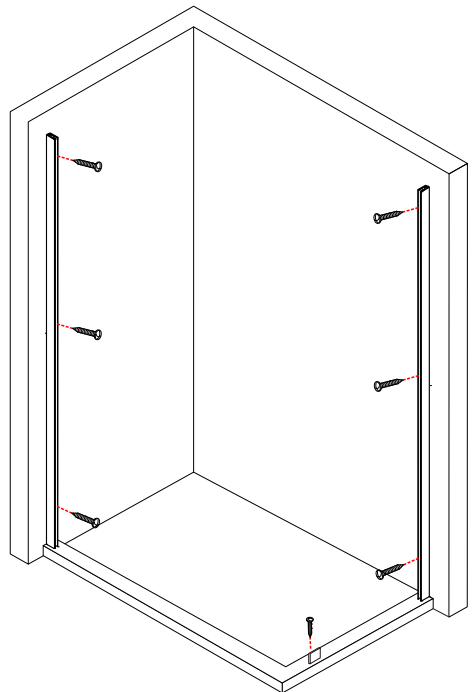
Insert wall anchors ③ into each hole.



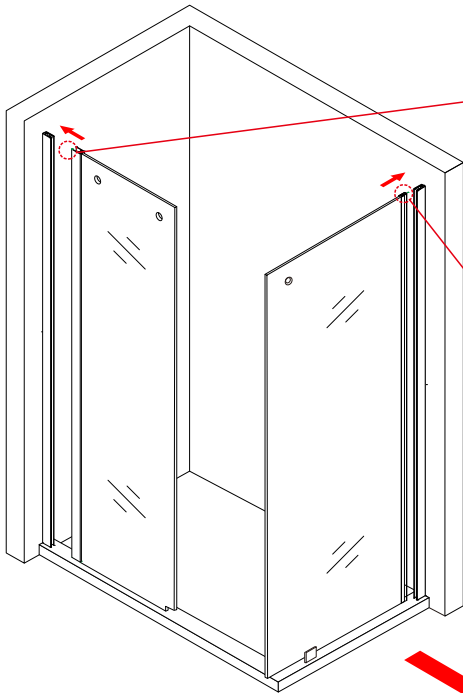
Position the wall jamb ⑤ against the wall, then use a screwdriver to drive the ST4 x 30 screws ④ into the wall anchors ③.



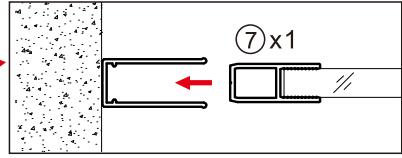
This is used to secure the fixed glass panel ②.



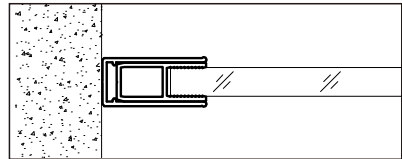
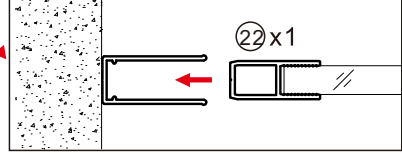
Step2: Install the fixed glass ⑦, panel glass ⑫ and bottom guide block ⑪.



Insert the fixed glass panel ⑦ into the wall jamb ⑤.



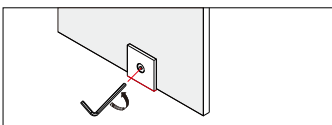
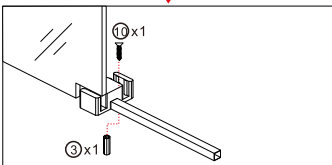
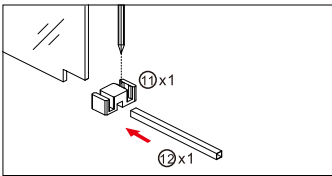
Insert the fixed glass panel ⑫ into the side wall jamb ⑫.



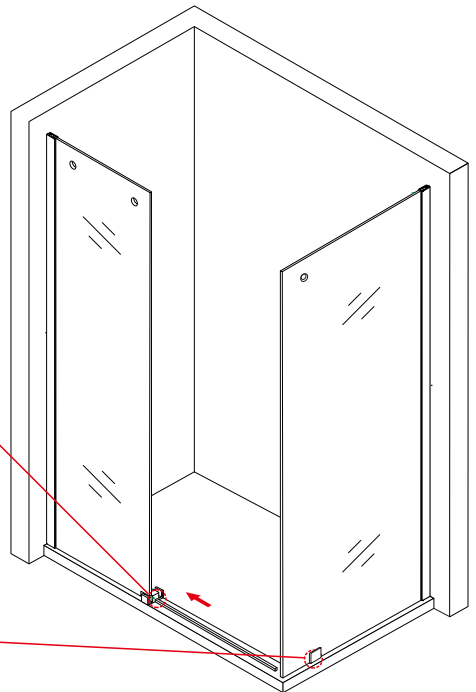
Note: The side with the explosion-proof film (marked) must face inward, and the notched corner should face downward.

Insert the anti-splash threshold ⑫ into the bottom guide block ⑪, then position the assembly in the corner of the opening and mark the screw hole location with a pencil.

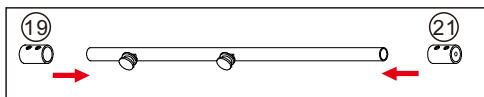
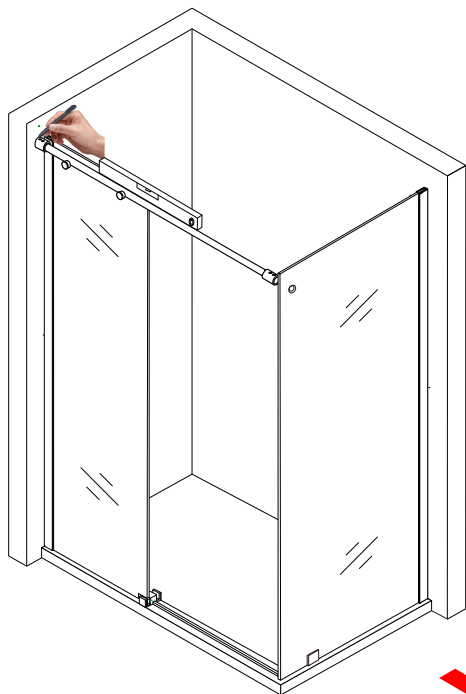
Drill the hole, insert the wall anchor ③, and secure the bottom guide block with the ST5 × 30 screw ⑩.



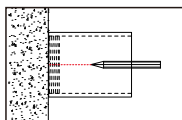
Use the bottom bracket ⑫ to fix the panel glass ⑫



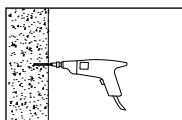
Step3: Install the top rail ②



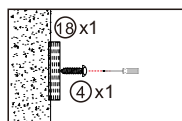
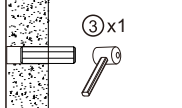
Install the top rail bracket ⑱ and ⑳ onto the top rail ②, then secure it to the fixed glass panel ⑦. Ensure the top rail is level, and mark the screw hole positions for the bracket with a pencil.



Unscrew the top rail ② from the fixed glass panel ⑦, then remove the top rail bracket ⑱ to mark the screw hole locations.

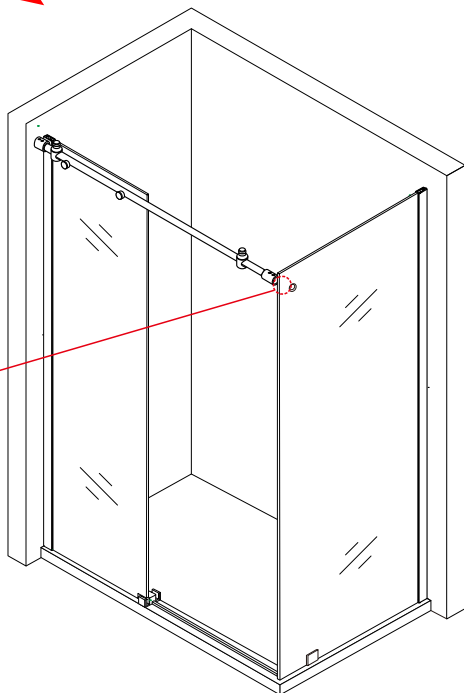
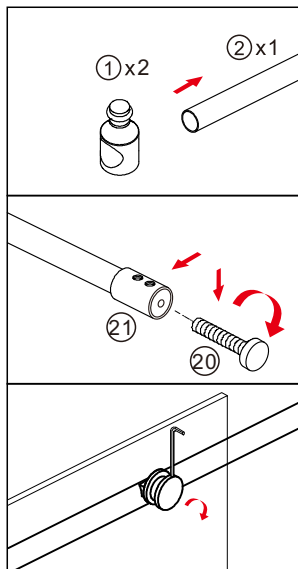


Use a power drill with a $\text{Ø}6 \times 40$ mm bit to drill the hole, then gently tap the wall anchor ③ into place using a soft-headed hammer.

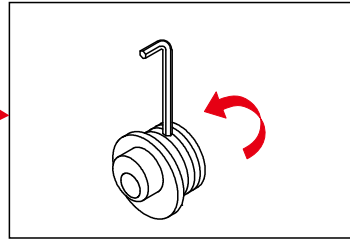
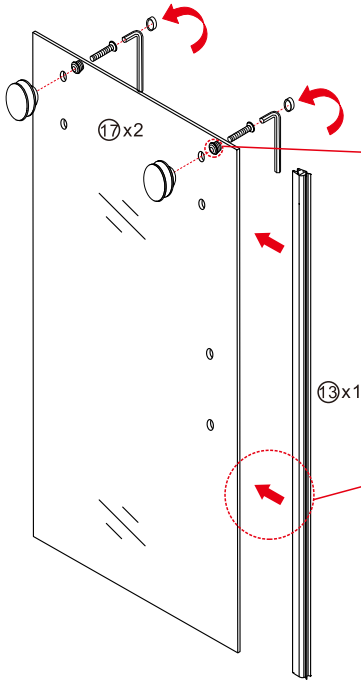


Insert the round flat fixing piece ⑱ into the hole, then secure it with the ST4x30 screw ④.

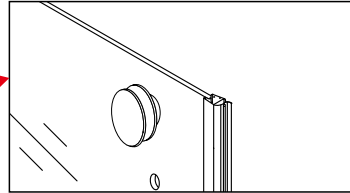
Install the top rail bracket ⑱ and glass door stopper ① onto the top rail ②. Secure the bracket in the direction shown, then attach the entire top rail assembly to the fixed glass panel ⑦. Finally, insert screw ⑳ into bracket ⑳ to lock the top rail ② and fixed glass panel ⑦ securely in place.



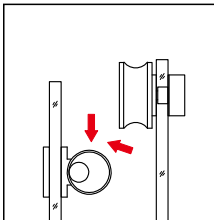
Step4: Install the door glass ⑭



Disassemble the roller ⑰ and install them to the door glass ⑭.

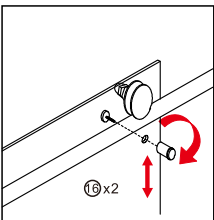


Attach the glass door bumper strip ⑬ into the door glass ⑭.

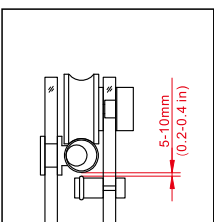


Hang the door ⑭ onto the top rail ② from inside the shower area.

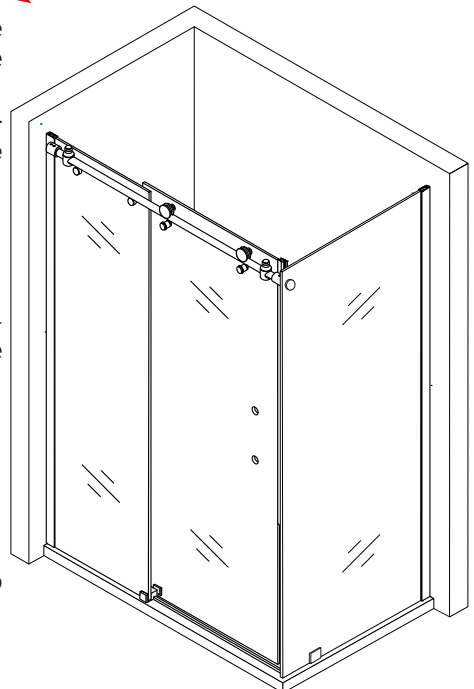
Note: Rollers are height-adjustable to ensure smooth sliding.



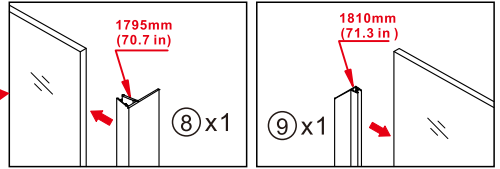
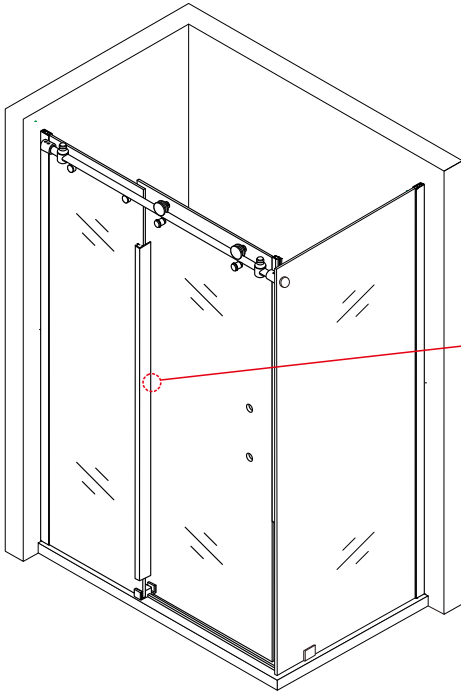
Install the safety pins ⑯ — they are rotatable to fit the rail.



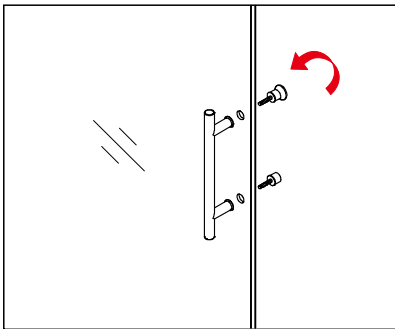
Maintain a 5–10 mm gap between the pin and rail.



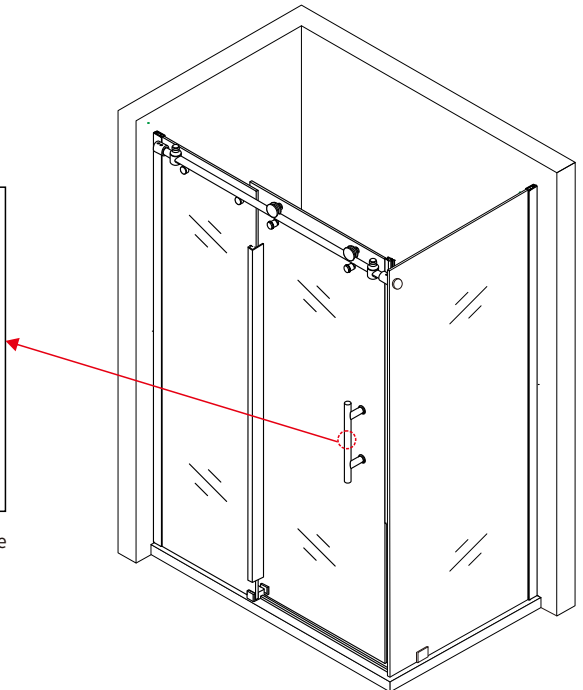
Step 5: Secure the fixed glass panel ⑦, then install the remaining components.



Attach the fixed glass side seal strip ⑧ to the fixed glass panel ⑦, and the sliding glass door side seal strip ⑨ to the sliding glass door ⑭.

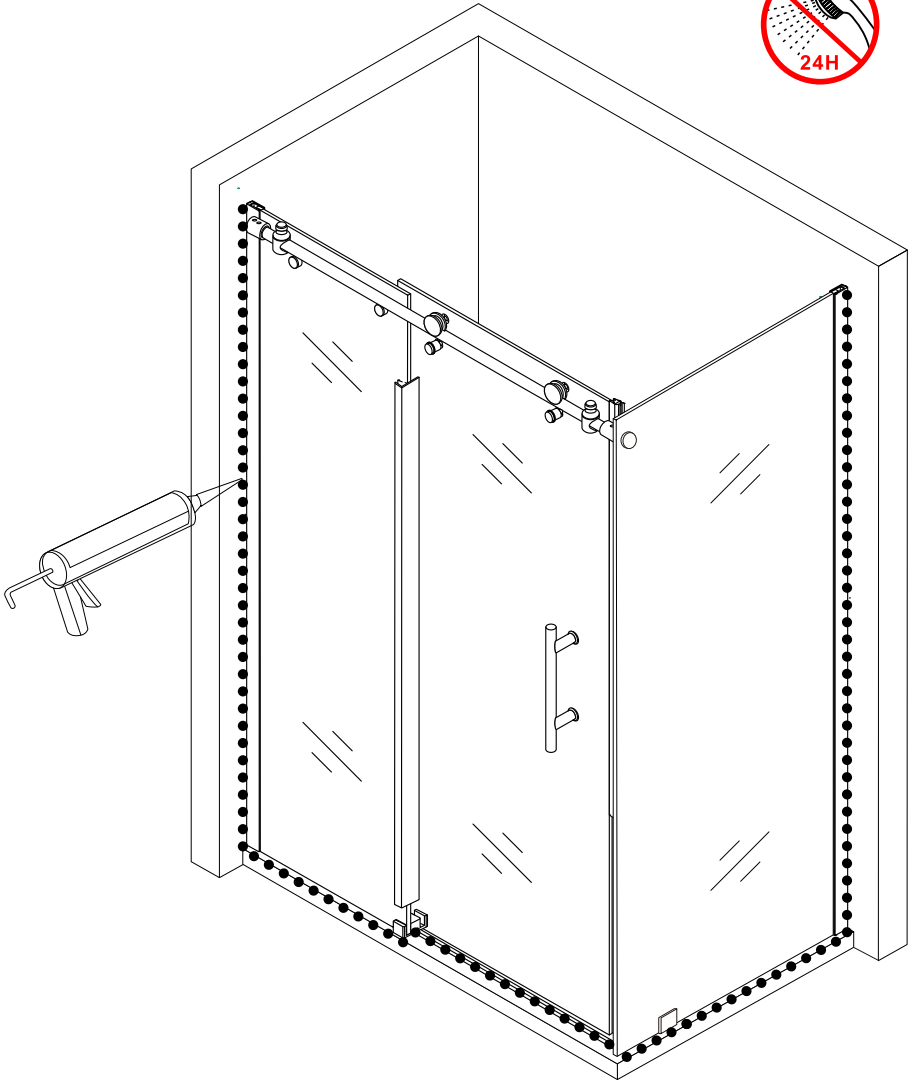


Remove the handle set ⑮, then install it into the pre-drilled hole on the sliding glass door ⑭.



Step 6: Apply the silicone sealant.

Apply a continuous bead of neutral-cure silicone sealant along the outer side of the wall jambs and the outer edge of the threshold.



Note: Wait 24 hours for the sealant to cure before using the shower.

SHOWER DOOR MAINTENANCE MANUAL

Cleaning:

1. When cleaning the frame, glass and hardware accessories of the shower door, please use a soft cloth. If there is slight dirt, please use a soft cloth or sponge dipped in "neutral detergent" for cleaning. After removing the stubborn dirt, please rinse with plenty of water to prevent the cleaning agent from remaining on the surface of the shower door and causing corrosion damage.
2. When using the special detergent and cleaning agent for bathroom, please be sure to use it correctly according to the precautions described in the detergent. Incorrect use will cause the product to have some bad conditions, such as paint peeling, color fading, rust, tarnishing, etc.
3. Do not use the following items for cleaning: acid, alkaline solvents, medicines (such as hydrochloric acid), solvents containing bleach, acetone diluent, detergent powder, toilet cleaner, etc, otherwise the product will be damaged. There are some bad conditions, such as paint peeling, discoloration, rust, tarnishing, etc.
4. The cleaning items that can be used for the product are: soft cloth, toothbrush, neutral detergent, a mixture of diluted vinegar and salt. Note: any cleaning agent will have a certain impact on the surface of the product, so use caution. Rinse with clean water in time to prevent damage to the surface caused by the residual detergent.

How to use and maintain the pulley of the shower door:

1. Avoid hitting the movable door with force, so as not to cause the movable door to fall off.
2. Pay attention to regularly clean the slide rails, pulleys and sliders, and add lubricant (lubricating oil or lubricating wax).
3. Regularly adjust the fixing screws of the pulley to ensure the effective bearing and good sliding of the pulley on the movable door.

Maintenance of tempered glass:

1. Do not hit or hit the glass surface with sharp objects to avoid damage.
2. Do not wipe the glass surface with rough objects to avoid scratches.
3. After using for a period of time, the glass will remain dirt, remove the dirt on the glass. you can use a mixture of cool and salt to wash with a toothbrush, you can remove the stains. Pay attention to rinse with clean water in time after use.

THANK YOU FOR SHOPPING WITH US!



Email: servicefast1@outlook.com

**PLEASE DO NOT RETURN TO STORE!
PLEASE CHECK ALL THE ACCESSORIES
BEFORE INSTALLATION.**

Tips: If there is any questions for the products, please feel free to contact us. We will solve it at the first time.

For quick and better to solve problem for you, Required information is a MUST:

1. Where you buy
2. PO Number/Tracking number
3. SKU Number
4. Problem to Clarify
5. Picture/Video