

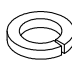

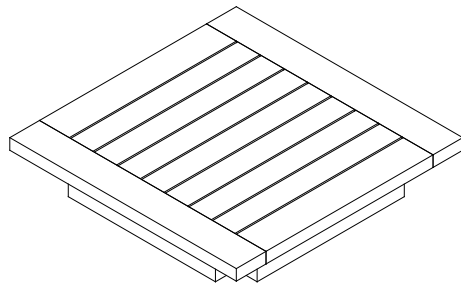


A  x 8 PZ
M6 x 60 mm

B  x 8 PZ
M6.5 x 20 x 2 mm

C  x 8 PZ
M6.5 x 13 x 2 mm

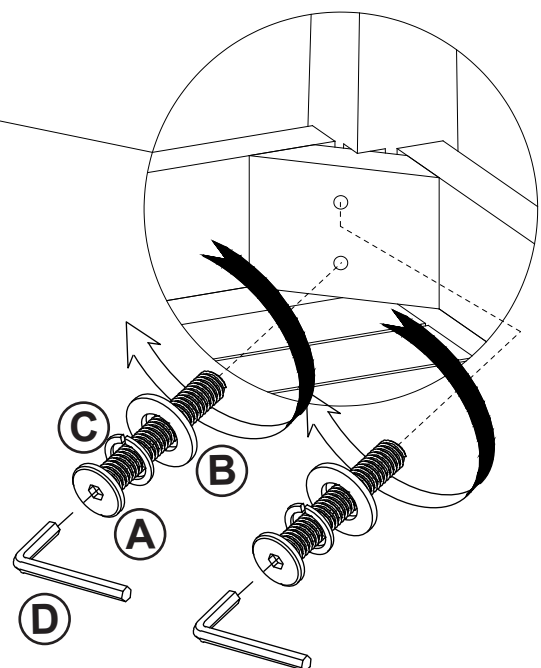
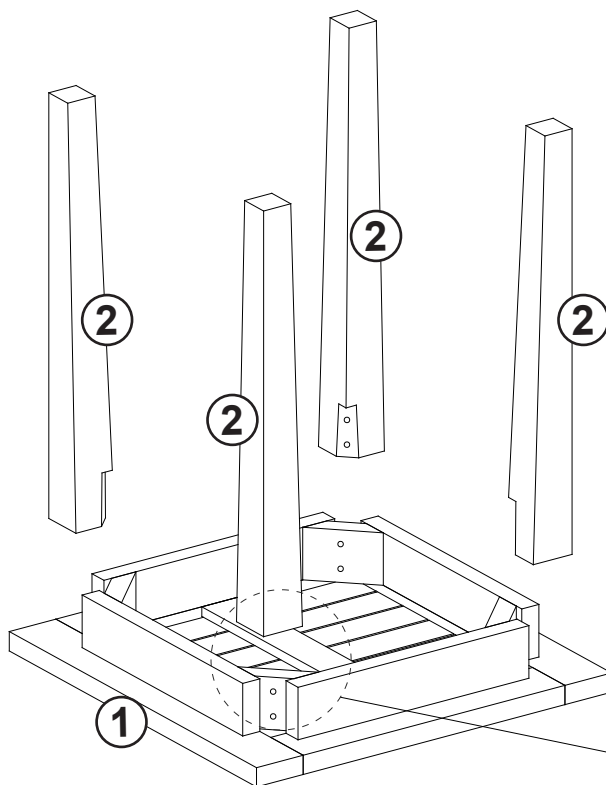
D  x 1 PZ
4mm

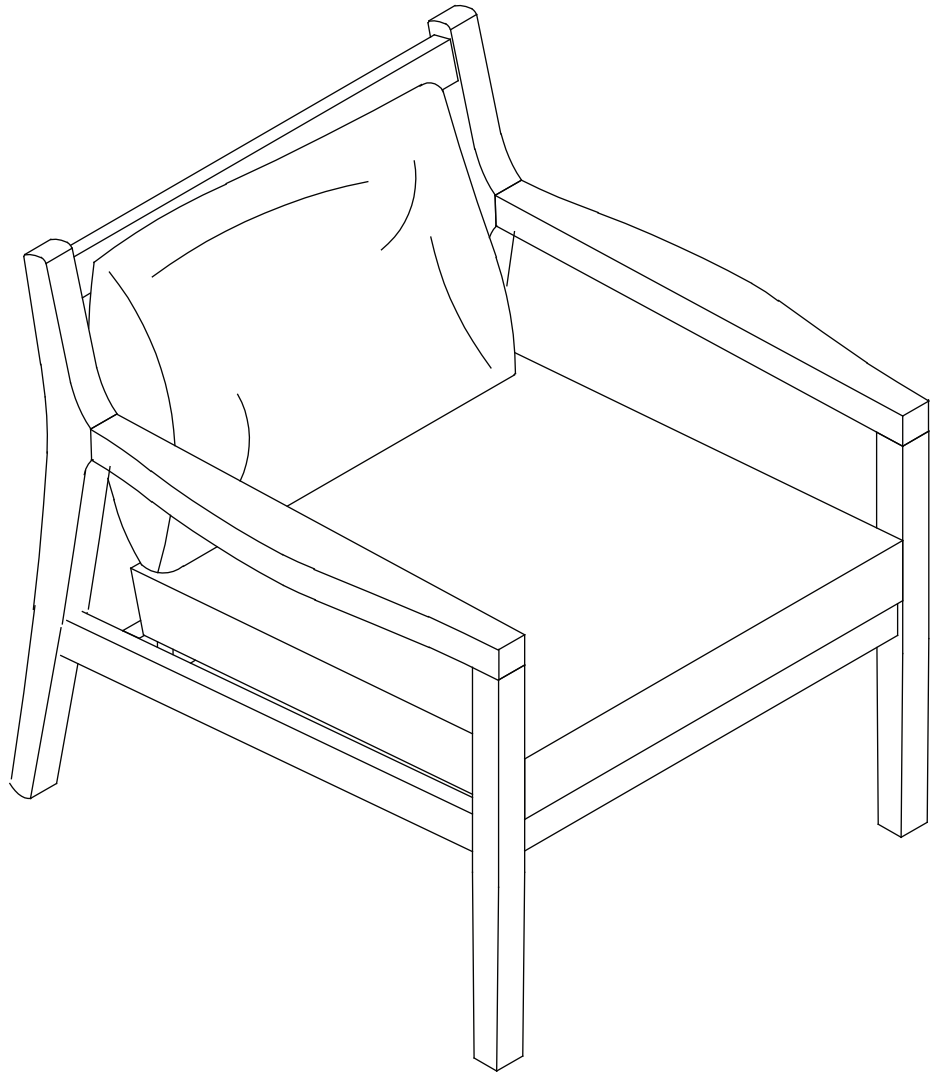


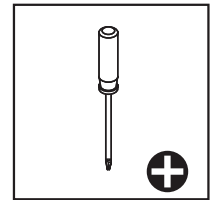
1 x 1PCS



2 x 4PCS







A (4)



M6X80 mm

B (2)



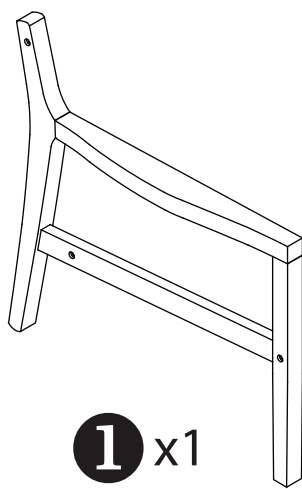
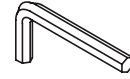
M6X60 mm

C (4)

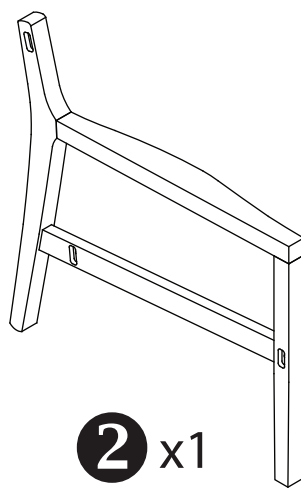


M4X30 mm

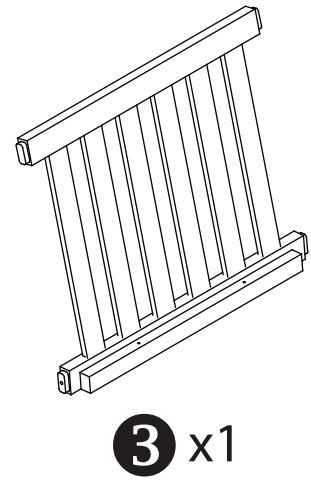
D (1)



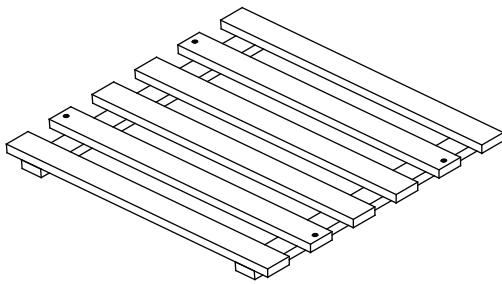
1 x1



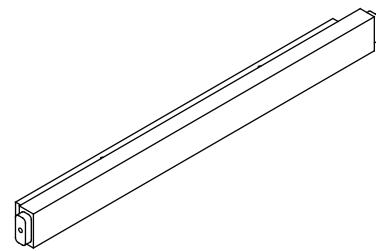
2 x1



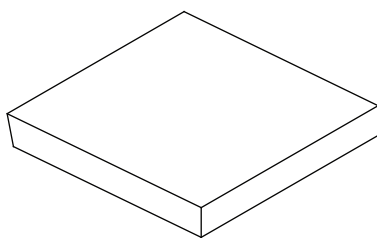
3 x1



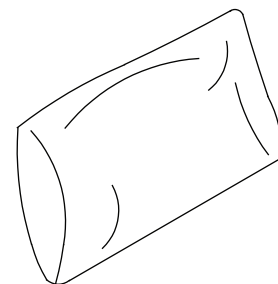
4 x1



5 x1

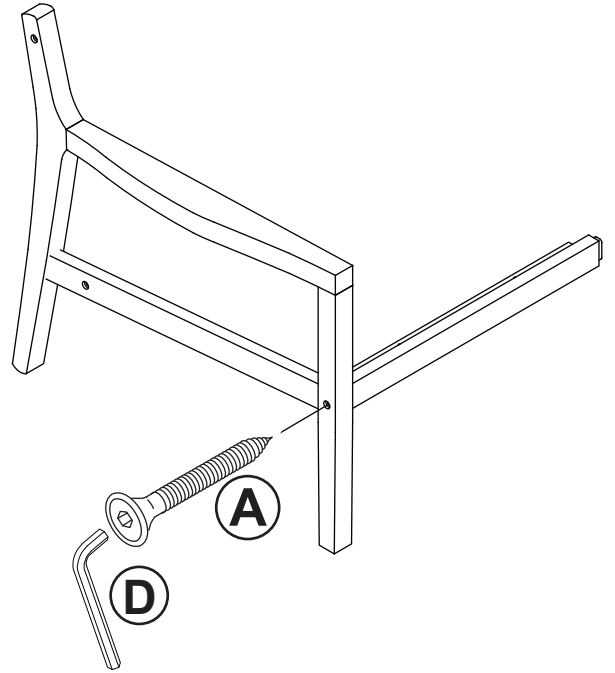
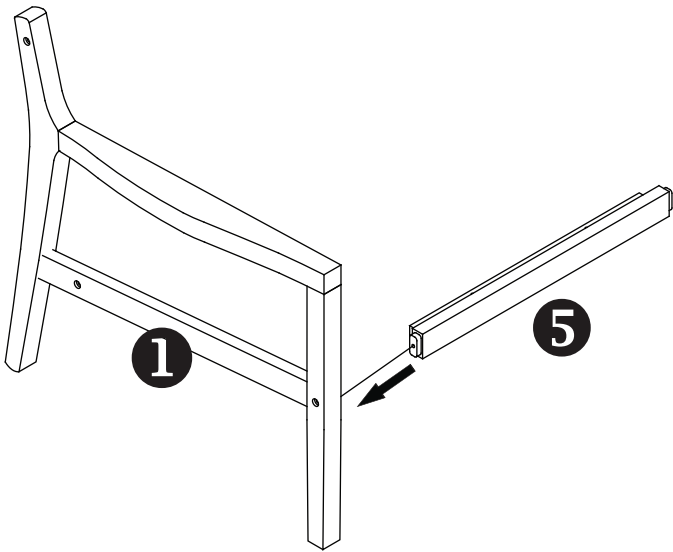


6 x1

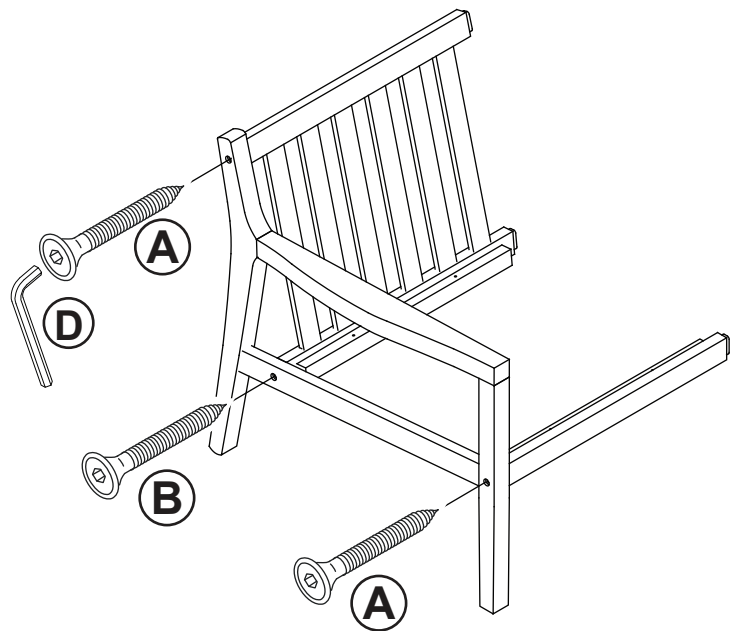
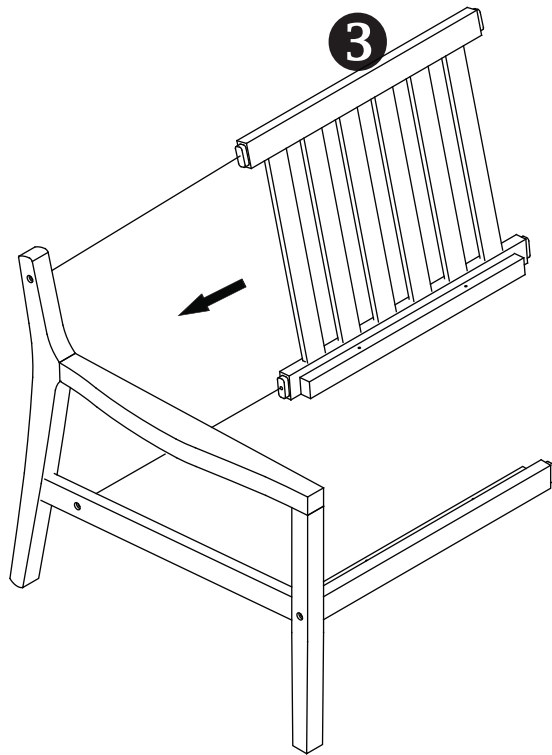


7 x1

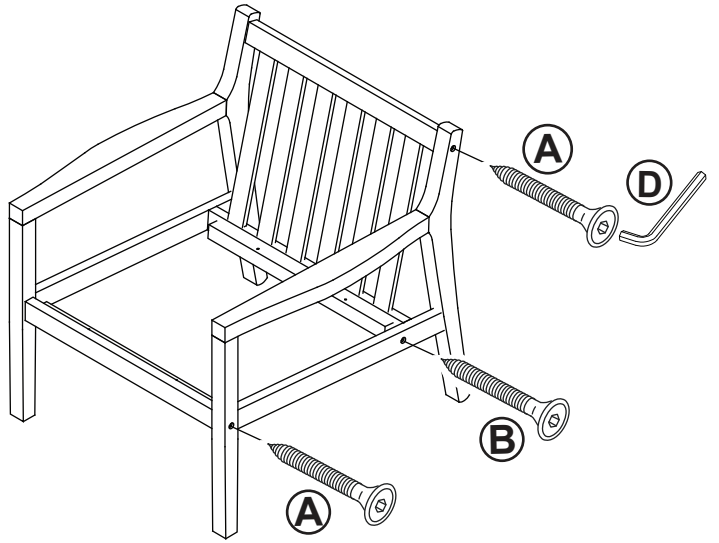
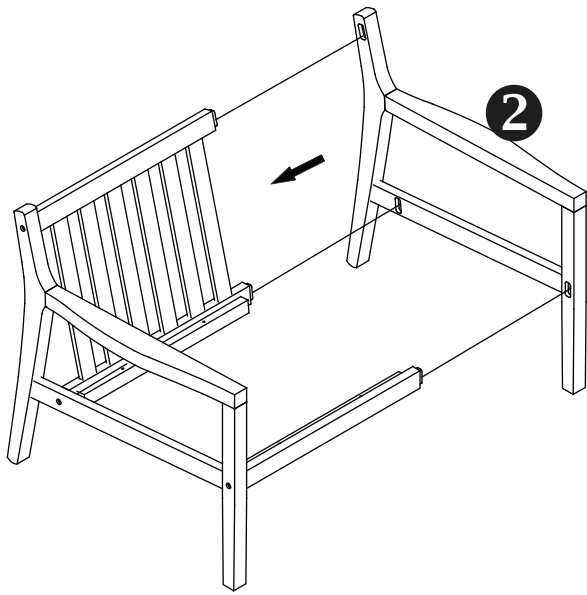
①



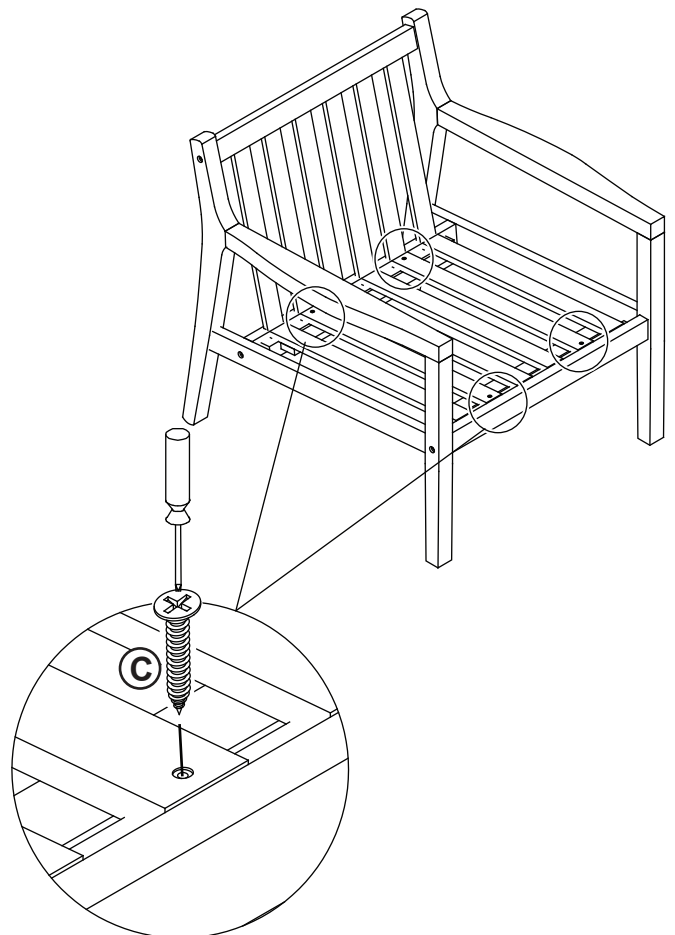
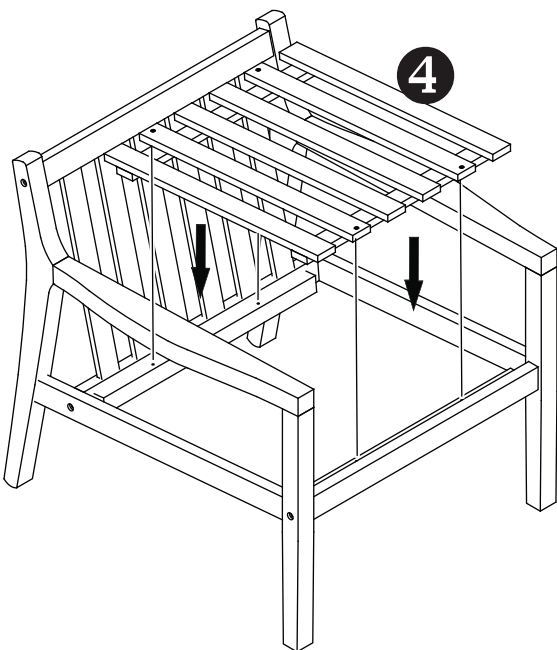
②



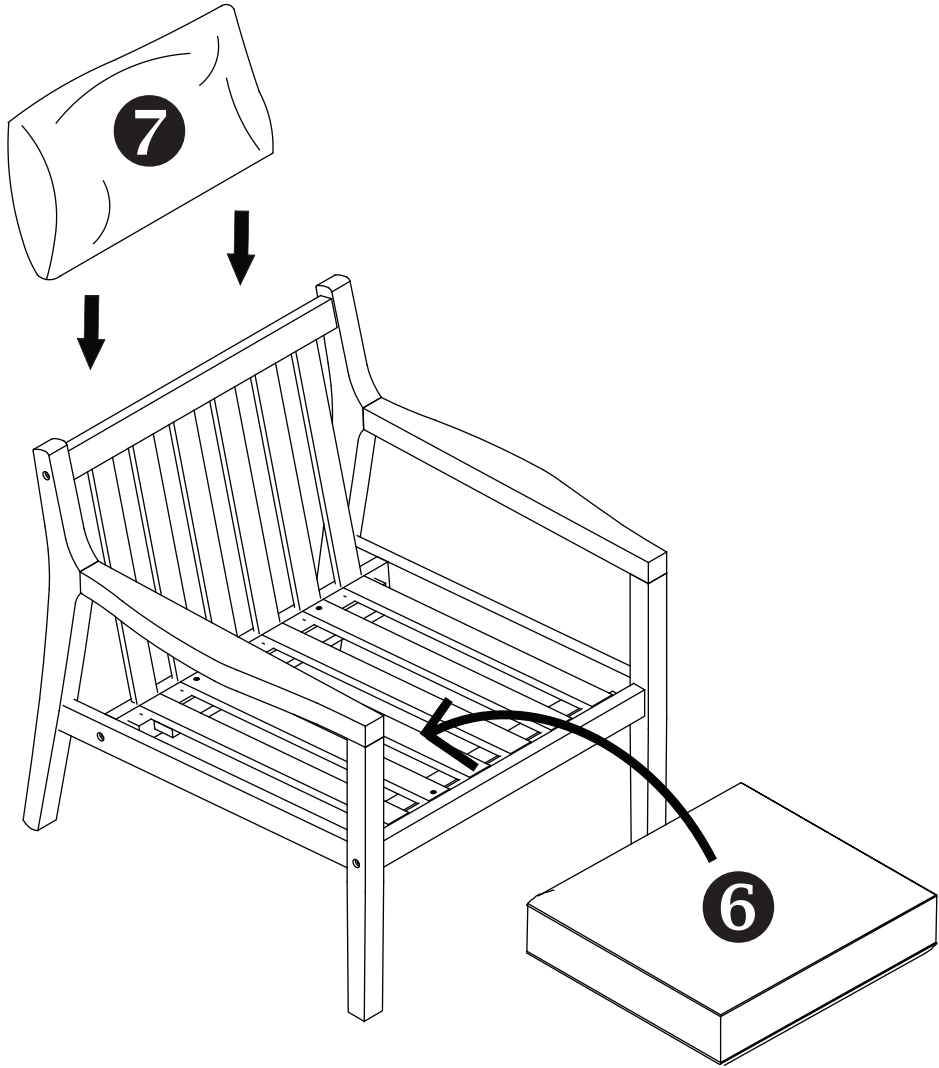
3



4



5



6

