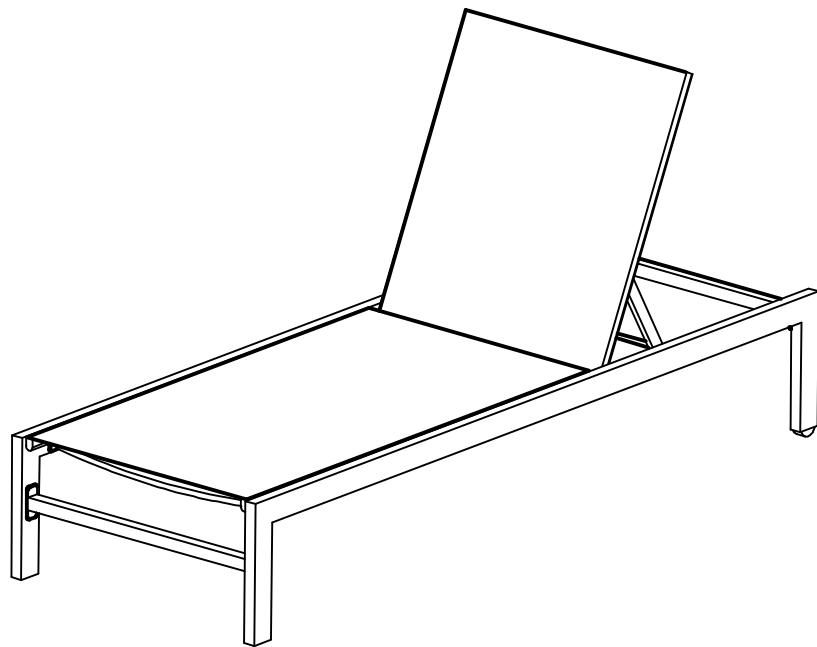


Chaise Lounge



ASSEMBLY INSTRUCTIONS:

- * Before assembling, make sure that you lay out and identify all parts listed in the parts list.
- * All bolts should be hand tightened before use. Never use power tools or excessive force during assembly and tightening of bolts.

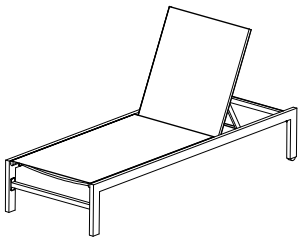
ATTENTION:

Keep children away during assembly. This item contains small parts that can be dangerous for children. Children should always be under direct adult supervision while using this product.


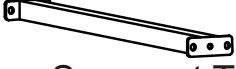


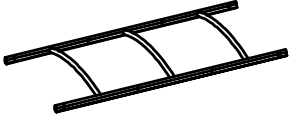

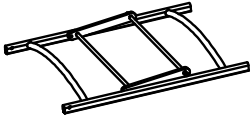




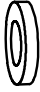

Do not discard any of the packaging until you have checked that you have all of the parts and fittings required.

Carefully remove the contents from the package. If any parts are missing, do not attempt to use the product until they have been obtained.

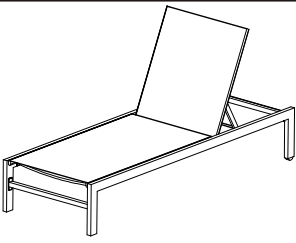
Make sure that each bolt needed for all steps matches the corresponding figure ensure proper assembly.



PARTS LIST

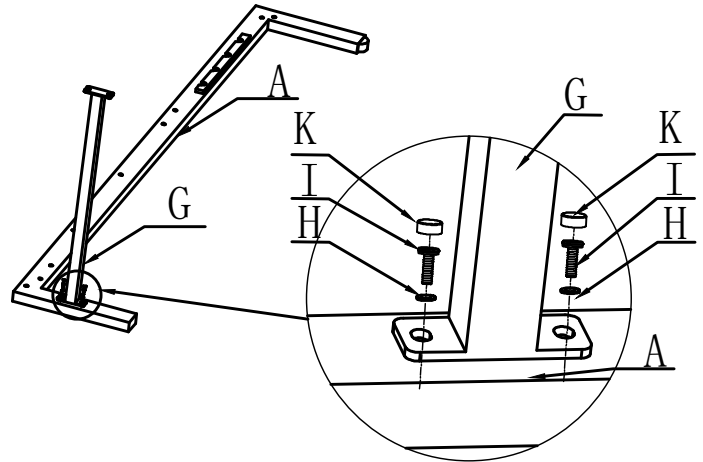
 Left Leg	A / 1	 Support Tube	G / 1
 Right Leg	B / 1	 M6	H / 22
 Seat Panel	C / 1	 M6*20	I / 12
 Back Panel	D / 1	 M6*35	J / 10
 Support Tube	E / 1	 Bolt Cap	K / 22
 Support Tube	F / 1	 Plastic Washer	L / 2
		 Allen Key	M / 1

ASSEMBLY INSTRUCTIONS



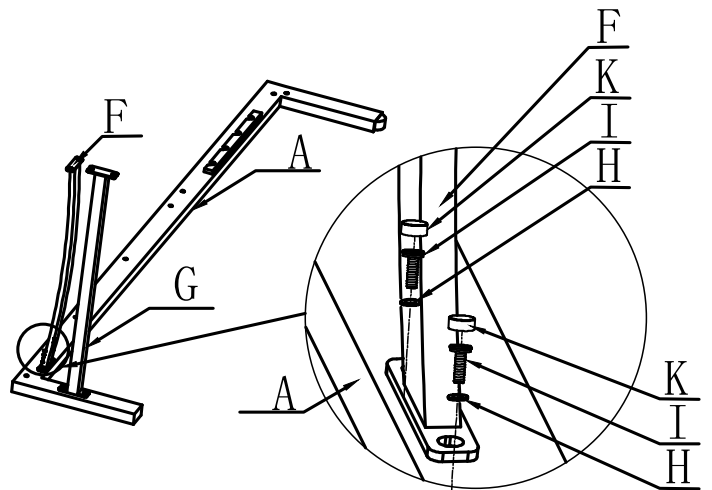
STEP 1 :

Attach the Support Tube (G) to Left Leg (A) by using Bolt (I) and Washer (H). Hand tighten only.



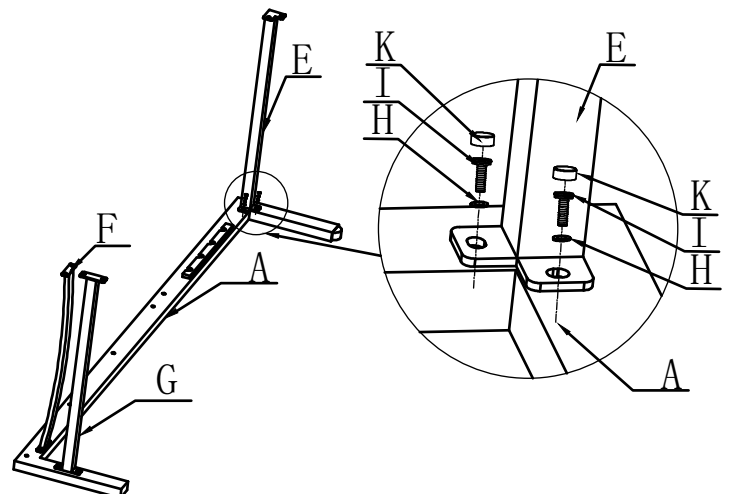
STEP 2 :

Attach the Support Tube (F) to Left Leg (A) by using Bolt (I) and Washer (H). Hand tighten only.

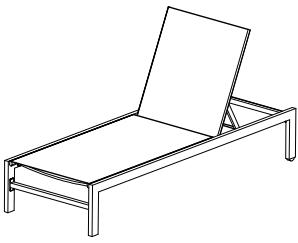


STEP 3 :

Attach the Support Tube (E) to Left Leg (A) by using Bolt (I) and Washer (H). Hand tighten only.

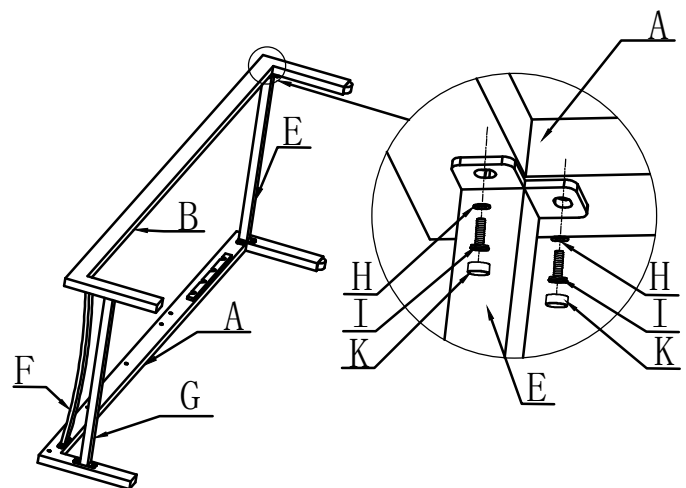
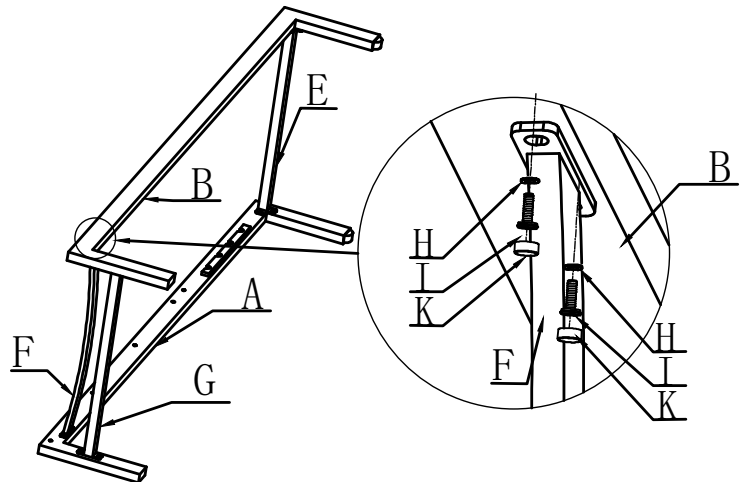
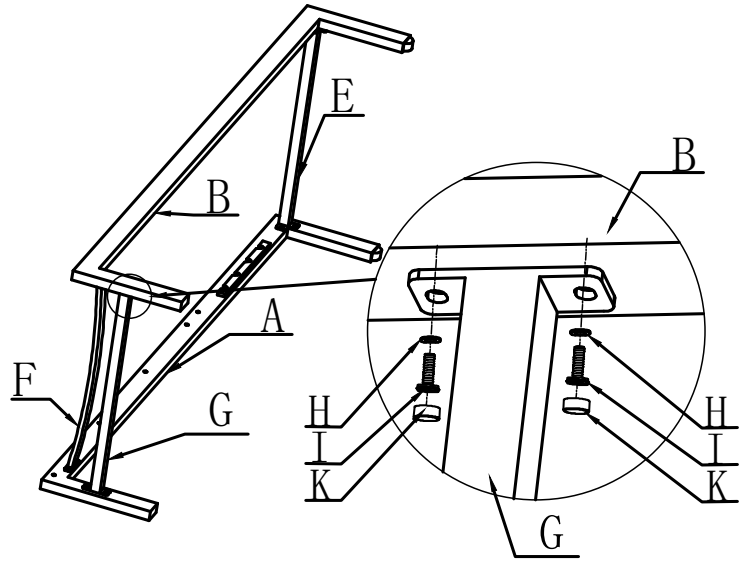


ASSEMBLY INSTRUCTIONS

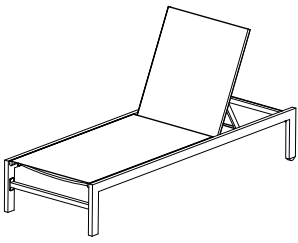


STEP 4 :

Attach the Left Leg (B) to Support Tubes by using Bolt (I) and Washer (H). Hand tighten only.

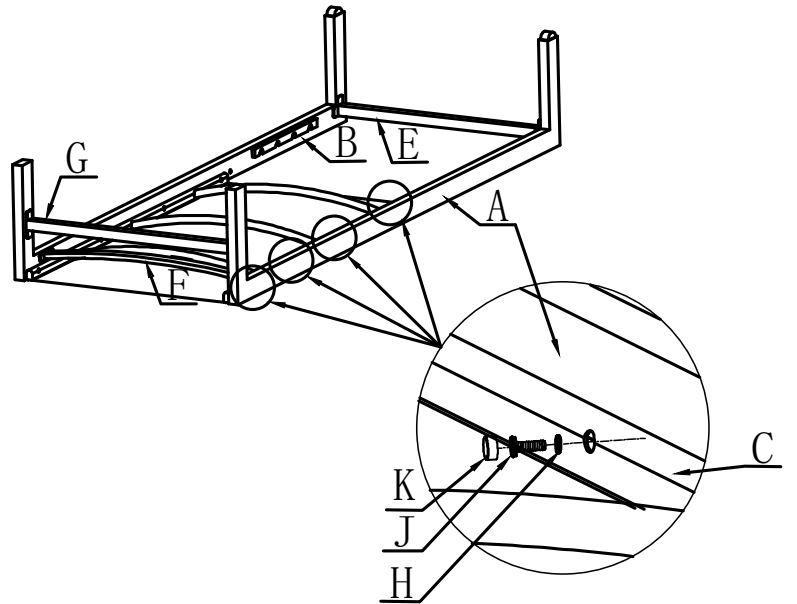
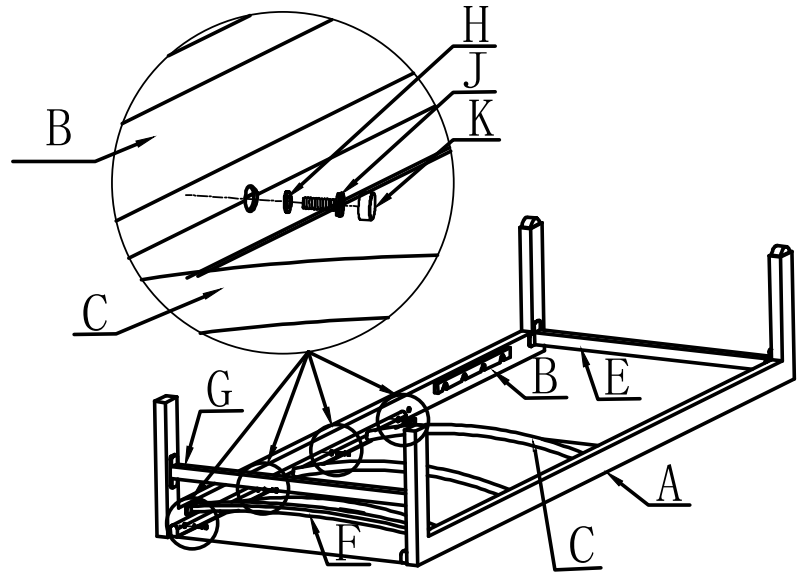


ASSEMBLY INSTRUCTIONS



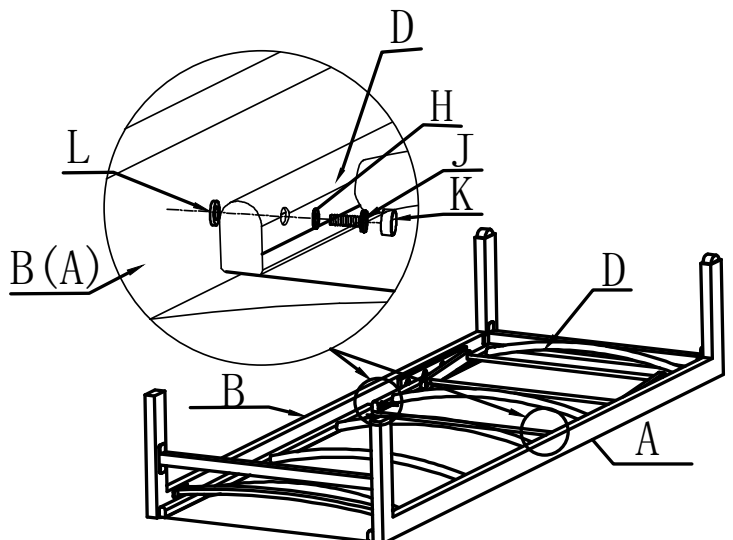
STEP 5 :

Attach the Seat Panel (C) to Legs by using Bolt (J), Washer (H). Hand tighten only.

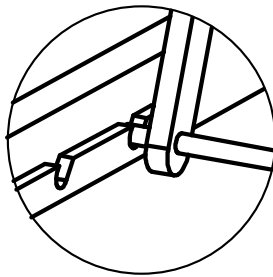
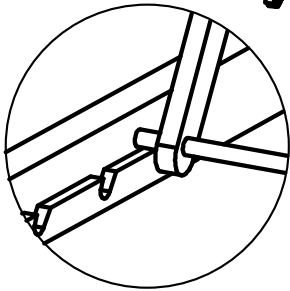
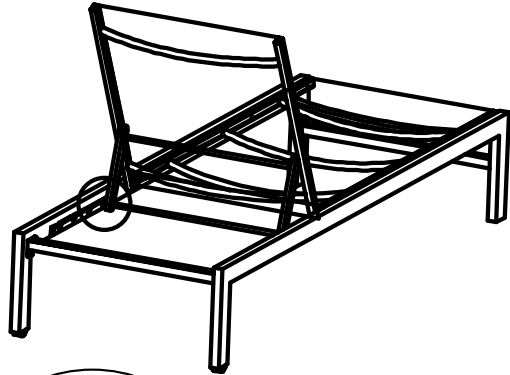
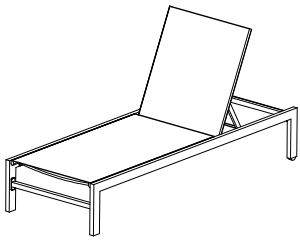


STEP 6 :

Attach the Back Panel (D) to Legs by using Bolt (J), Washer (H) and Plastic Washer (L). Fully tighten all bolts by Allen Key. Cover all Cap Bolts (K).

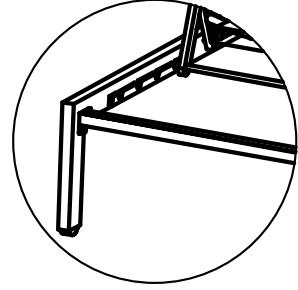


ASSEMBLY INSTRUCTIONS

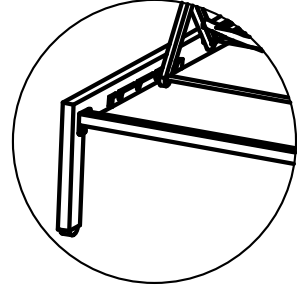


ATTENTION!!!

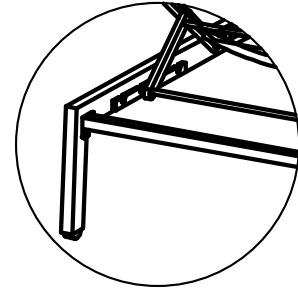
a



b



c



Cleaning and Maintenance

Clean frame with mild soapy water, rinse thoroughly. Dry frame parts completely. Do not use bleach, acid, or other solvents on the fabric and metal parts.

We recommend the use of furniture covers to protect the Chaise Lounge when not in use.

Inspect and tighten all bolts on a regular basis to ensure proper performance and safety.

In order to prolong the life and beauty of your Chaise Lounge, we recommend storing it in a dry and protective area during off season periods.