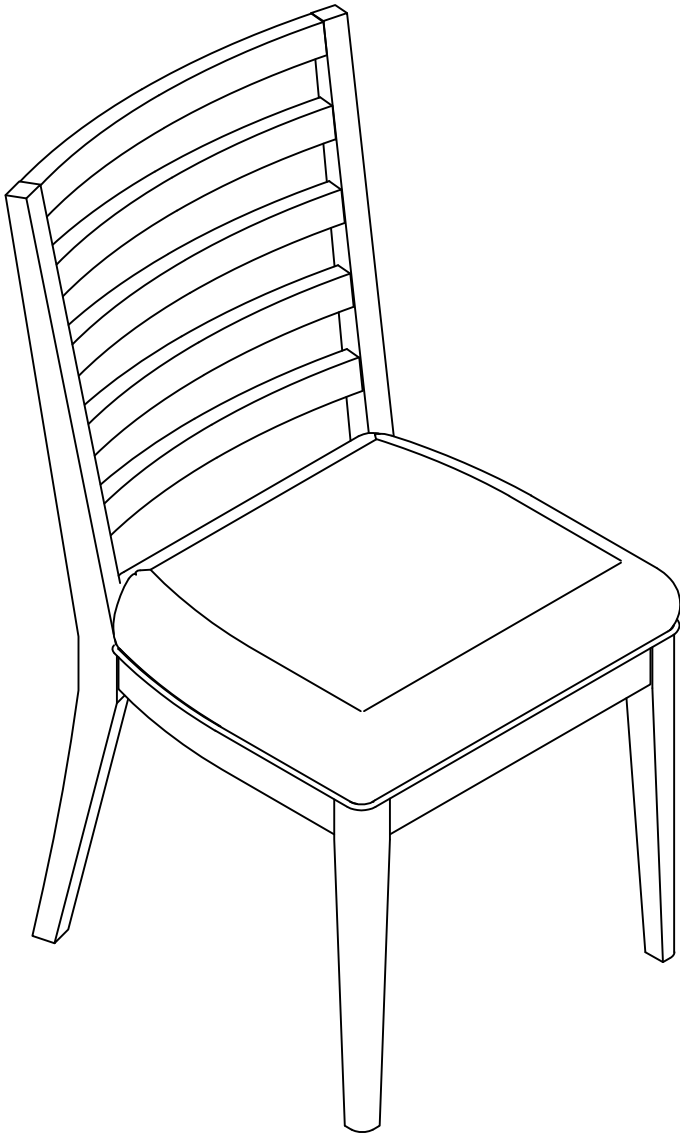


ASSEMBLY INSTRUCTION

Dining Chair



ASSEMBLY INSTRUCTION

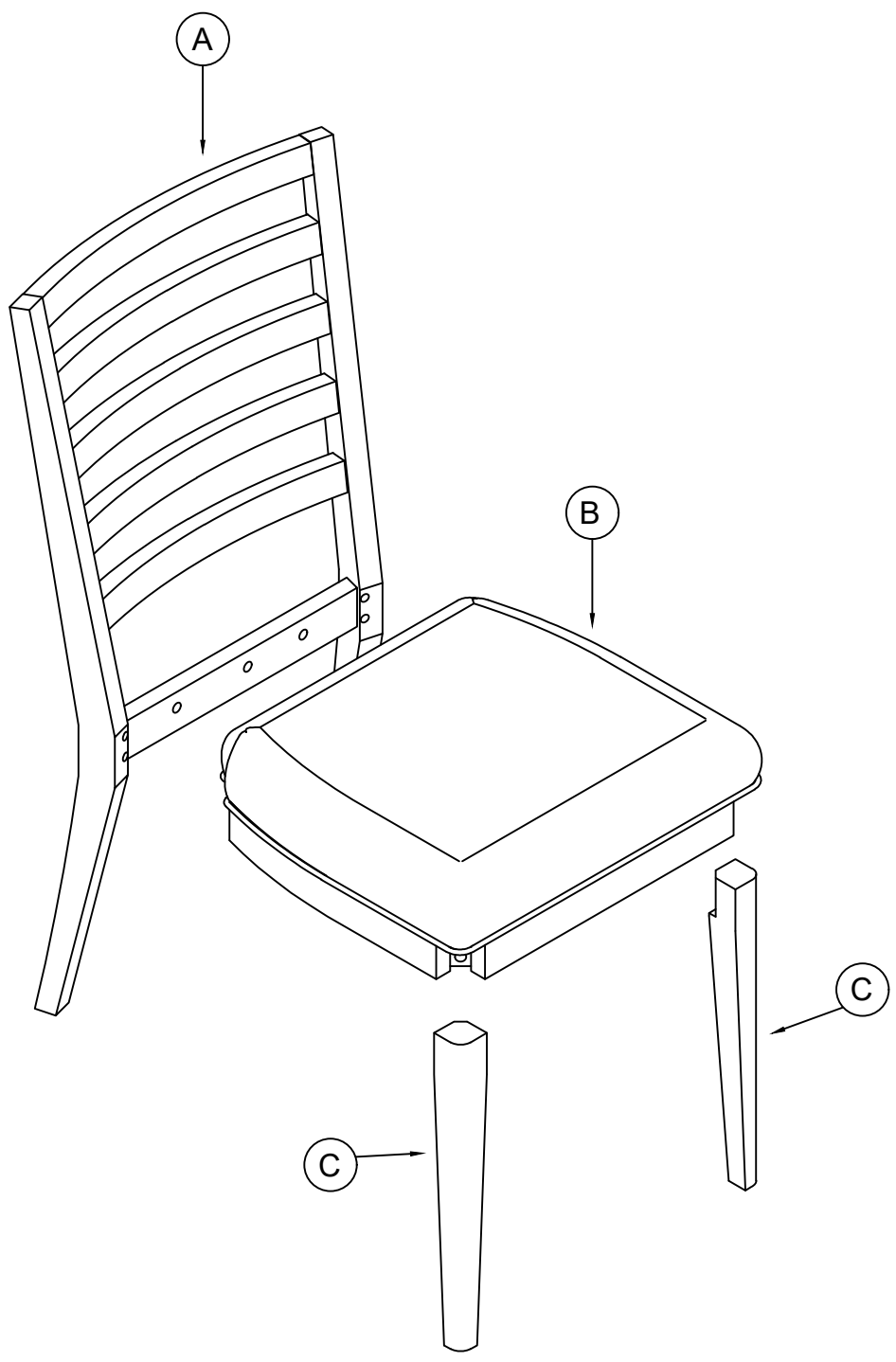
Please read these instructions fully before starting assembly:

1. Place all wooden parts on a clean and smooth surface such as a rug or carpet to avoid scratching the parts.
2. Kindly follow the assembly instructions step by step.
3. Do not tighten all screws and bolts until the table is fully assembled.
4. Unscrew the protective plastique supports from the metal insert of the table legs before assembly.
5. Parts of the assembly will be easier with 2 people.

Care and maintenance:

Only clean using a damp cloth and mild detergent, do not use bleach or abrasive cleaners

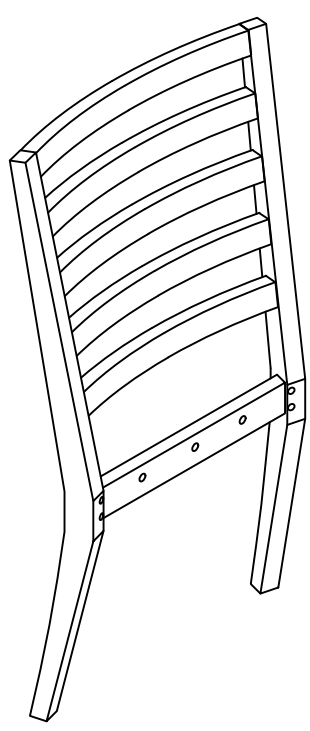
ASSEMBLY INSTRUCTION



ASSEMBLY INSTRUCTION

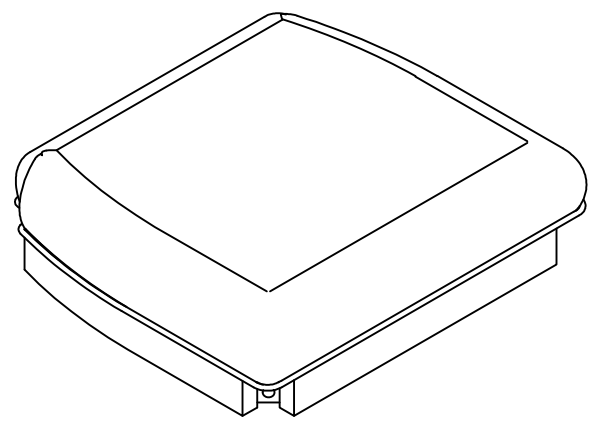
Part List

A



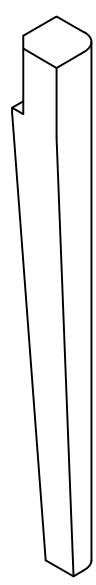
BACK CHAIR (1pc)

B



SEAT CUSHION (1pc)

C

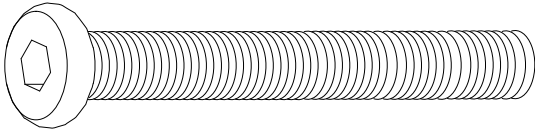


FRONT LEGS (2pcs)

ASSEMBLY INSTRUCTION

Hardware List

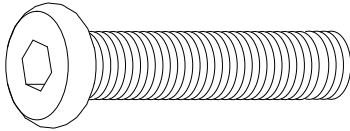
1



Ø1/4"*L75mm

BOLT (4pcs)

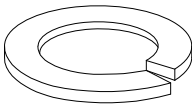
2



Ø1/4"*L38mm

BOLT (2pcs)

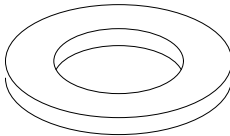
3



Ø1/4"*13mm

LOCK WASHER (10pcs)

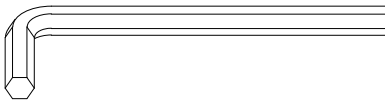
4



Ø1/4"*19mm

FLAT WASHER (10pcs)

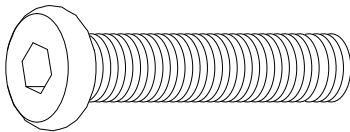
5



5mm

ALLEN KEY (1pc)

6

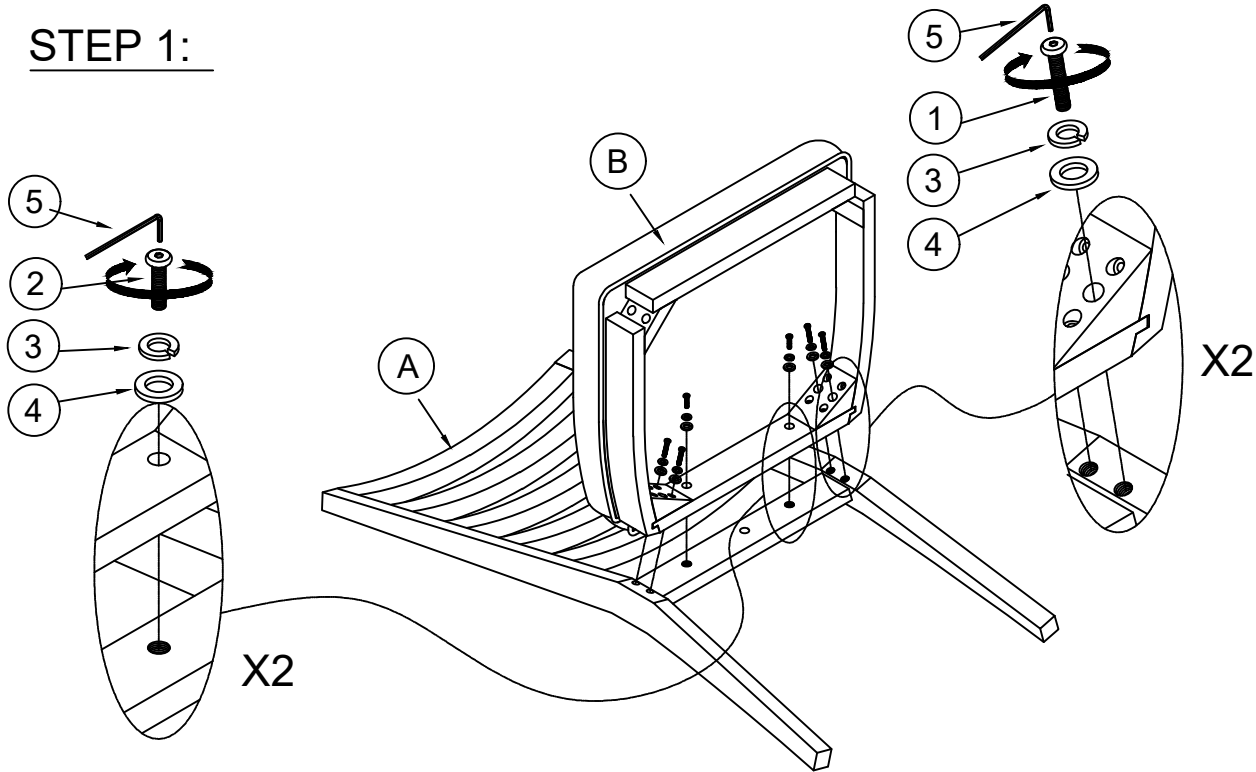



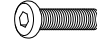



Ø1/4"*L60mm

BOLT (4pcs)

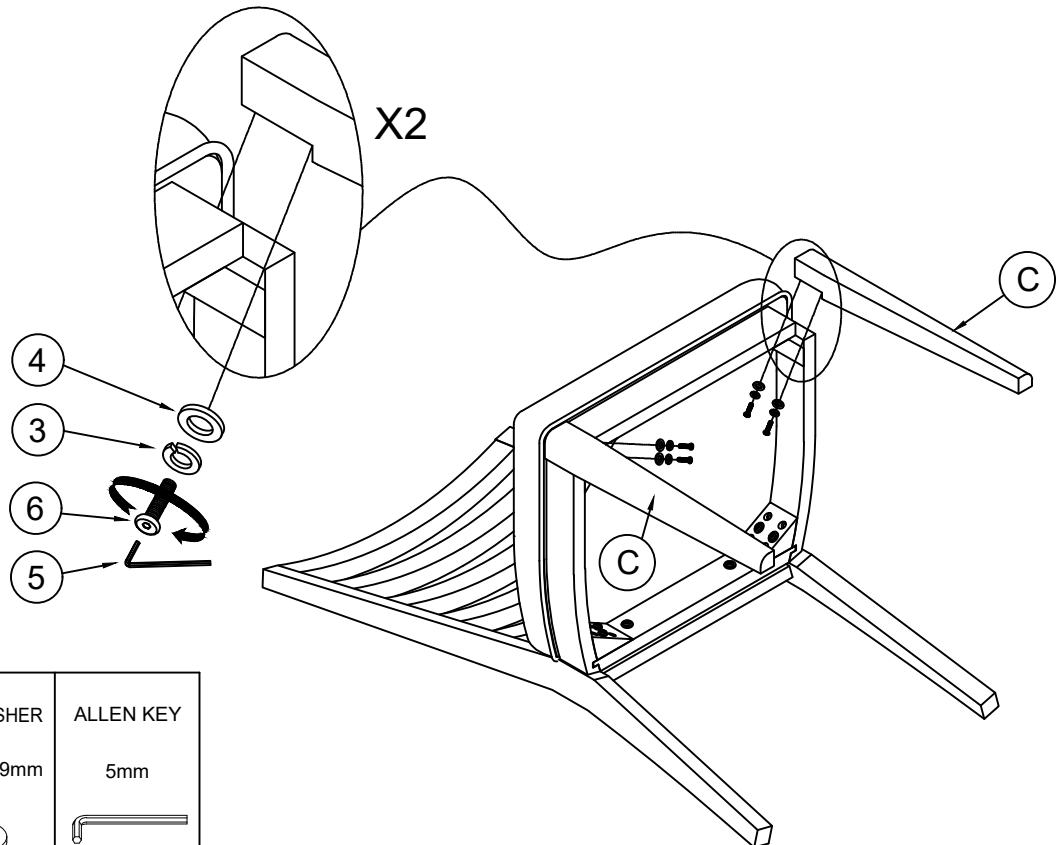
ASSEMBLY INSTRUCTION

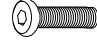



STEP 1:



BOLT	BOLT	LOCK WASHER	FLAT WASHER	ALLEN KEY
Ø5/16**75mm	Ø5/16**45mm	Ø5/16**13mm	Ø5/16**19mm	5mm
				
① x 4	② x 2	③ x 6	④ x 6	⑤ x 1

STEP 2:



BOLT	LOCK WASHER	FLAT WASHER	ALLEN KEY
Ø5/16**45mm	Ø5/16**13mm	Ø5/16**19mm	5mm
			
⑥ x 4	③ x 4	④ x 4	⑤ x 1

ASSEMBLY INSTRUCTION

COMPLETE

