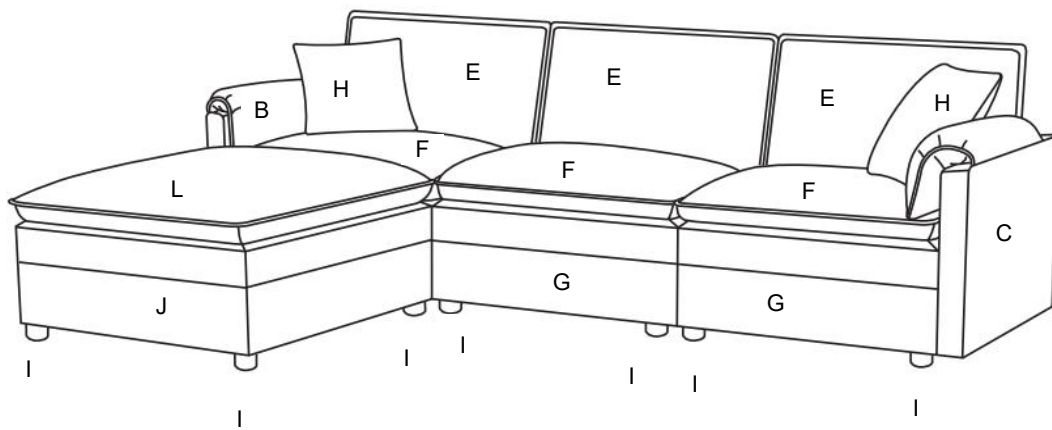


ASSEMBLY INSTRUCTION












Return & warranty policy:

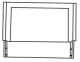

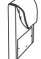



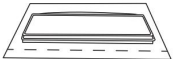


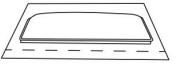


- we strive to offer the highest quality products, and we also try our best to satisfy each and every customer that orders from us with replacement parts or service as needed.
- If the item is damaged or defective, please take photos as evidence for replacements and refunds.
- please do not return to store, contact the seller if you have any troubles with this product.

ASSEMBLY INSTRUCTION










HARDWARE LIST

NO	DESCRIPTION	SKETCH	QTY	NO	DESCRIPTION	SKETCH	QTY
①	Plastic Washer		18PCS	⑥	Spring Washer(M8)		20PCS
②	Bolt(M8*40MM)		14PCS	⑦	Nut(M8)		11PCS
③	Bolt(M8*80MM)		4PCS	⑧	Allen Wrench(S5)		2PCS
④	Double Ended Bolt(M8*70MM)		7PCS	⑨	Socket Spanner		1PC
⑤	Flat Washer(M8)		28PCS				






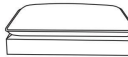



PARTS LIST

NO	DESCRIPTION	SKETCH	QTY	NO	DESCRIPTION	SKETCH	QTY
A	Backrest		3PCS	G	Seat Frame		3PCS
B	Left Armrest		1PC	H	Pillow		2PCS
C	Right Armrest		1PC	I	Leg		16PCS
D	Back and Seat Cushion Package		3PCS	J	Ottoman Seat Frame		1PC
E	Back Cushion after decompression from(D)		3PCS	K	Ottoman Seat Cushion Package		1PC
F	Seat Cushion after decompression from(D)		3PCS	L	Ottoman Seat Cushion after decompression from(K)		1PC








HARDWARE LIST

NO	DESCRIPTION	SKETCH	QTY	NO	DESCRIPTION	SKETCH	QTY
①	Plastic Washer		9PCS	⑥	Spring Washer(M8)		15PCS
②	Bolt(M8*40MM)		9PCS	⑦	Nut(M8)		9PCS
③	Bolt(M8*80MM)		2PCS	⑧	Allen Wrench(S5)		1PC
④	Double Ended Bolt(M8*70MM)		7PCS	⑨	Socket Spanner		1PC
⑤	Flat Washer(M8)		19PCS				

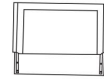


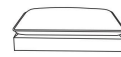


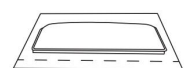
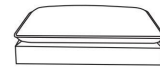

PARTS LIST

NO	DESCRIPTION	SKETCH	QTY
A	Backrest		2
B	Left Armrest		1
C	Right Armrest		1
D	Back and Seat Cushion Package		2
E	Back Cushion after decompression from(D)		2
F	Seat Cushion after decompression from(D)		2
G	Seat Frame		2
H	Pillow		2
I	Leg		8

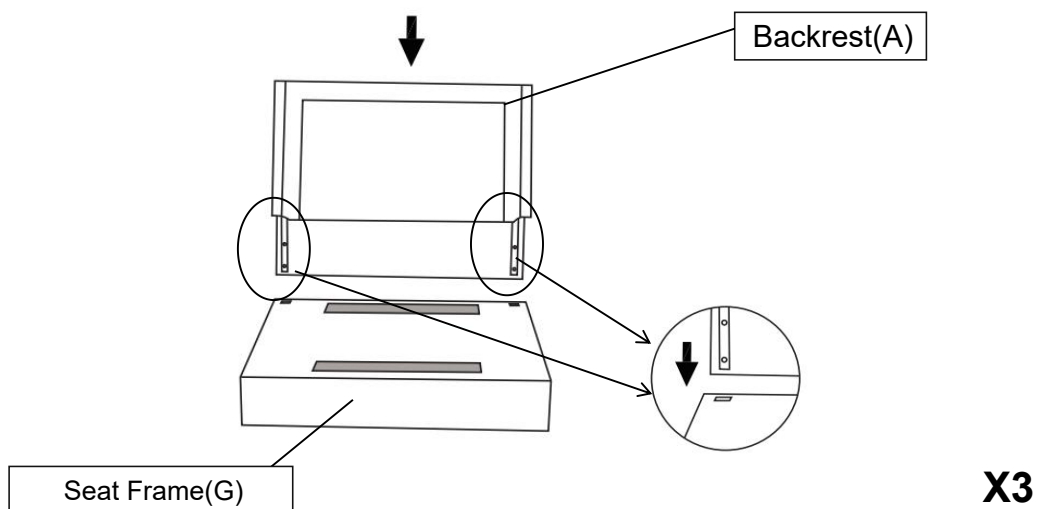
HARDWARE LIST

NO	DESCRIPTION	SKETCH	QTY	NO	DESCRIPTION	SKETCH	QTY
①	Plastic Washer		9PCS	⑥	Spring Washer(M8)		5PCS
②	Bolt(M8*40MM)		5PCS	⑦	Nut(M8)		2PCS
③	Bolt(M8*80MM)		2PCS	⑧	Allen Wrench(S5)		1PC
⑤	Flat Washer(M8)		9PCS				

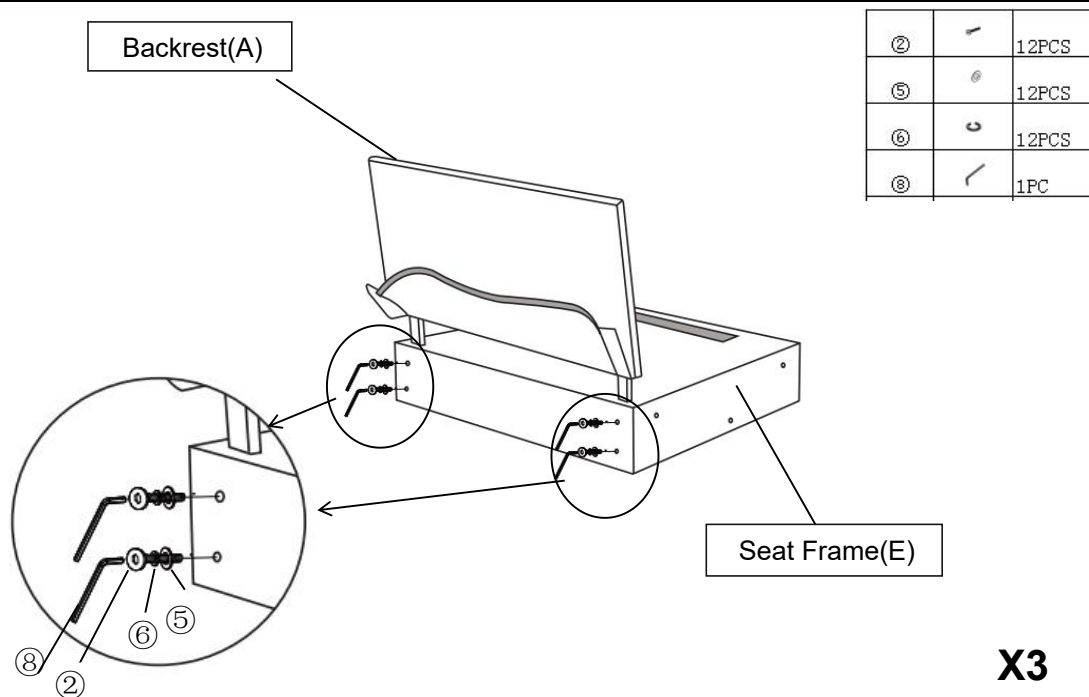
PARTS LIST

NO	DESCRIPTION	SKETCH	QTY
A	Backrest		1
D	Back and Seat Cushion Package		1
E	Back Cushion after decompression from(D)		1
F	Seat Cushion after decompression from(D)		1
G	Seat Frame		1
J	Ottoman Seat Frame		1
K	Ottoman Seat Cushion Package		1
L	Ottoman Seat Cushion after decompression from(K)		1
I	Leg		8

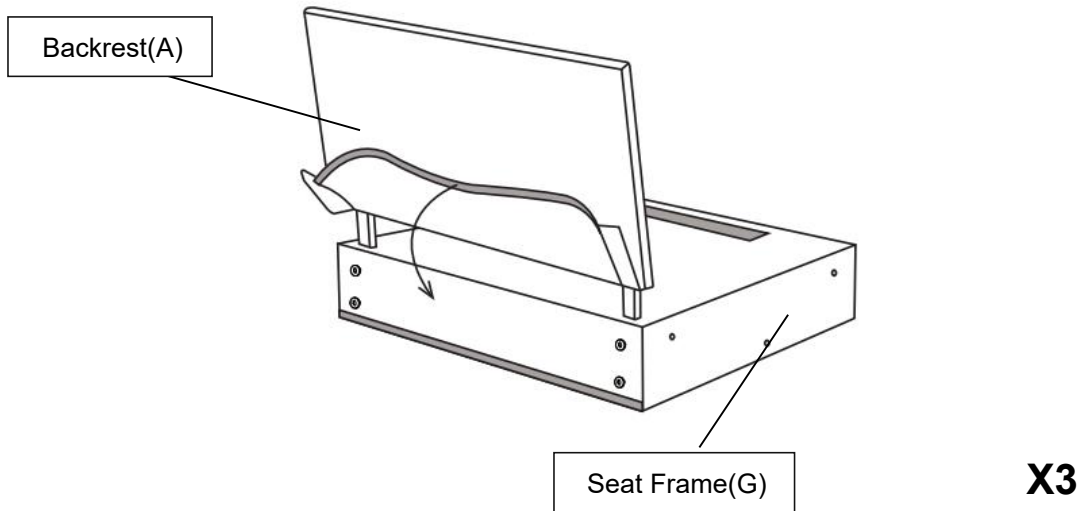
DIAGRAEM 1 Insert the Backrest(A) into the Seat Frame(G).



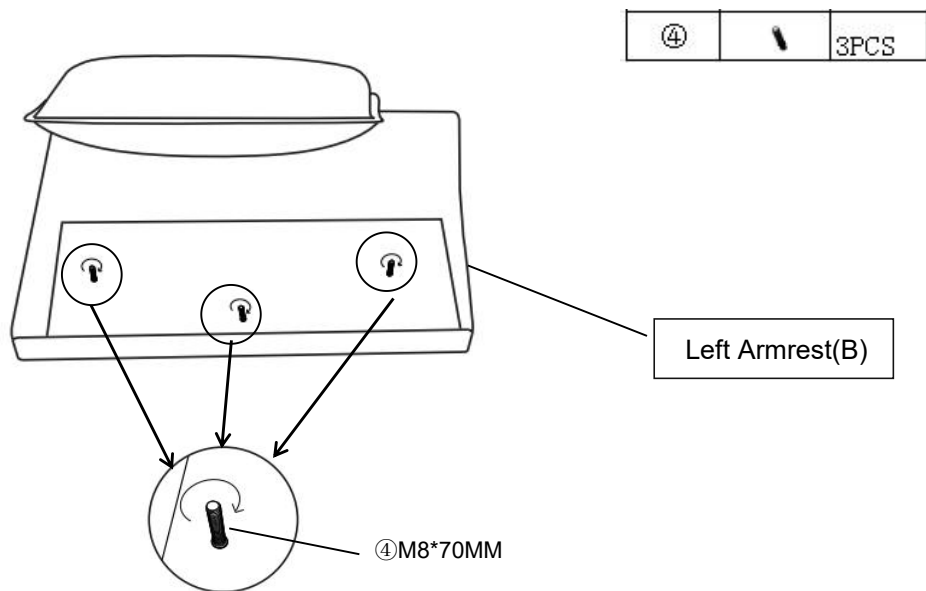
DIAGRAEM 2 Install the Backrest(A) to Seat Frame(G) using Bolts(②) ,Flat Washers(⑤) ,Sping Washers (⑥) with Allen Wrench(⑧),turning clockwise until tight.



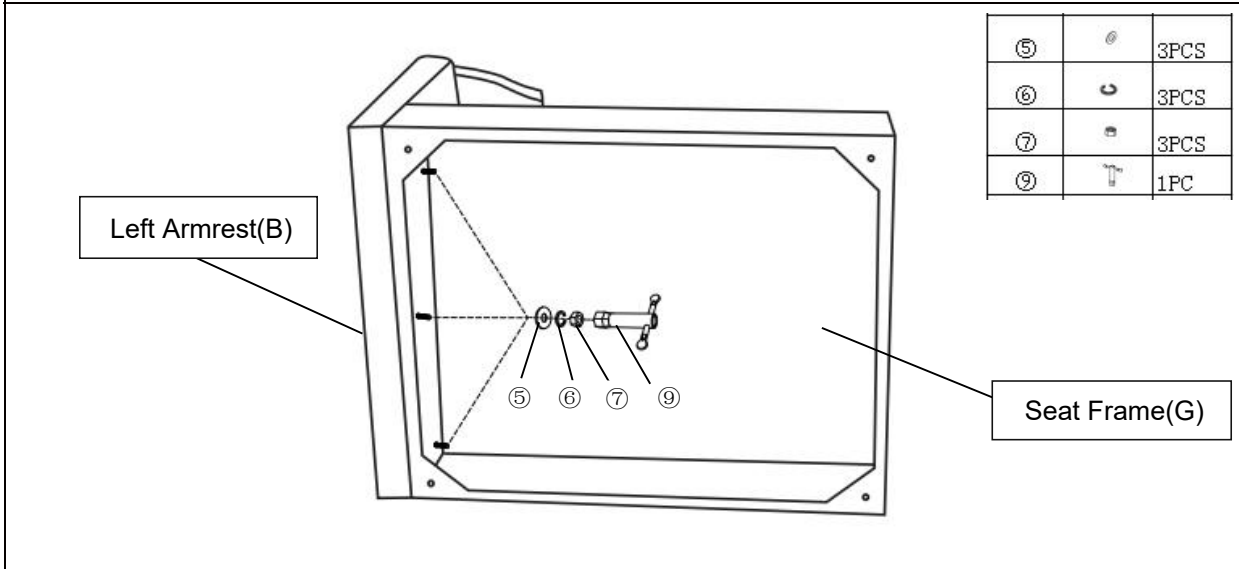
DIAGRAEM 3 Attach the magic tape to the back of the Seat Frame(G). Assemble the remaining seats according to the above steps.



DIAGRAEM 4 Insert the Double Ended Bolts(M8*70MM) (④) into the hole of the Left Armrest (B) and turning clockwise until tight.

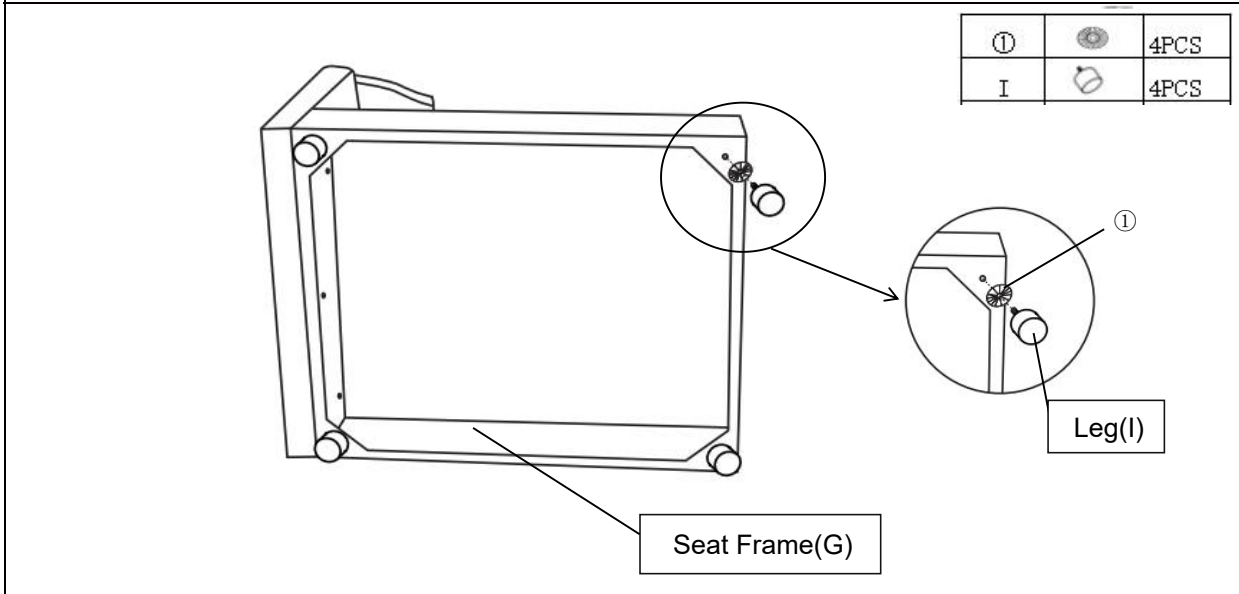


DIAGRAEM 5 Attach the Seat Frame(G) to the Left Armrest(B) using Nuts (⑦) , Flat Washers(⑤) and Spring Washers(⑥) with Socket Spanner(⑨) ,turning clockwise until tight.

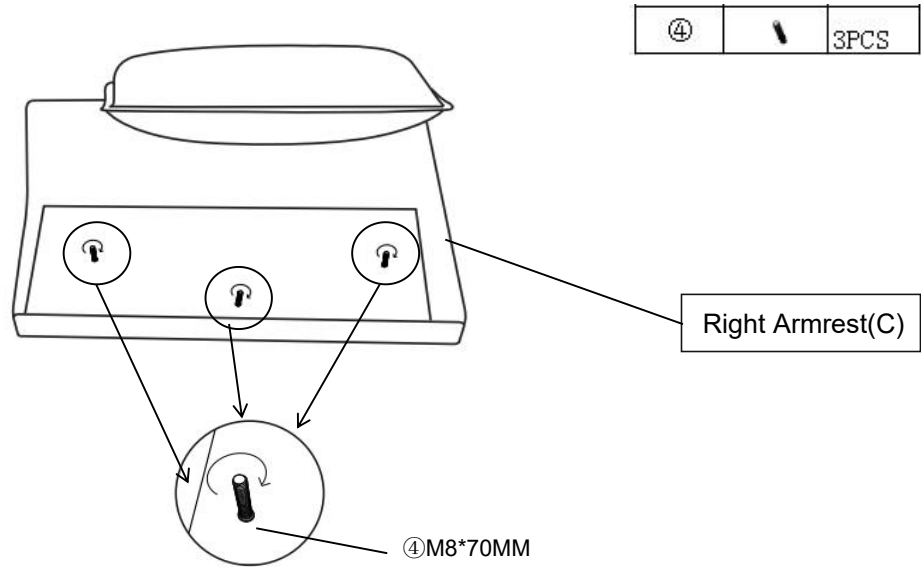


DIAGRAEM 6 Place the Plastic Washers(①) on the legs(I) .Then attach the legs(I) to the sofa.

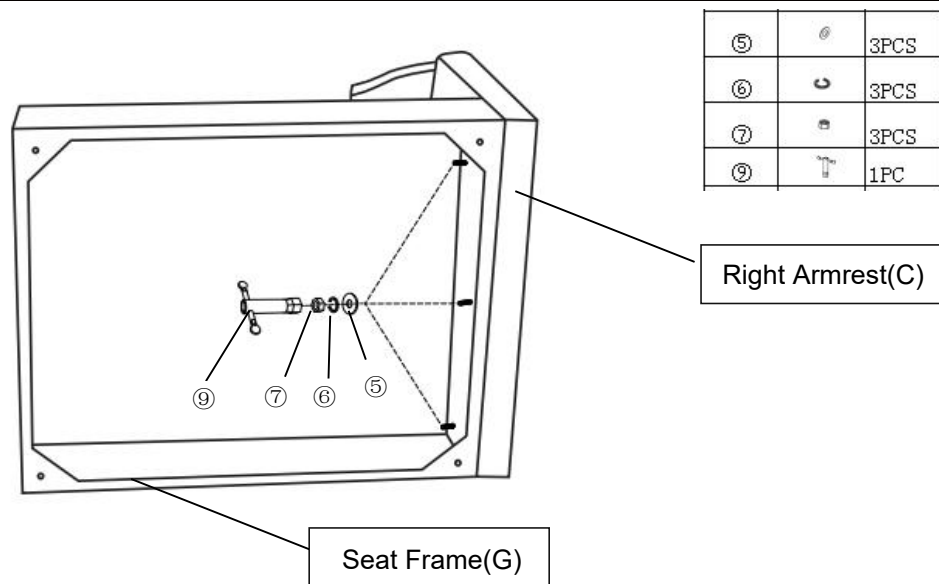
Note: The use of Plastic Washer(①) are OPTIONAL and are especially useful to help alleviate slight wobbleness. Some Legs may need more than one Plastic Washer(①) while some Legs may not need any.



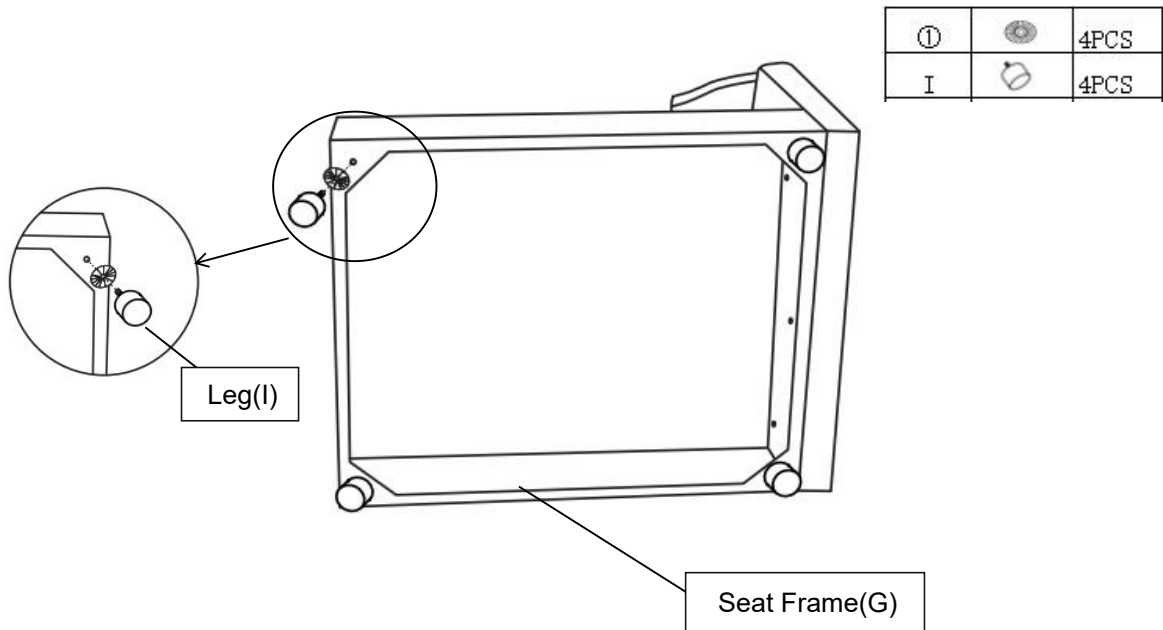
DIAGRAEM 7 Insert the Double Ended Bolt(M8*70MM) (④) into the hole of the Right Armrest(C) and turning clockwise until tight.



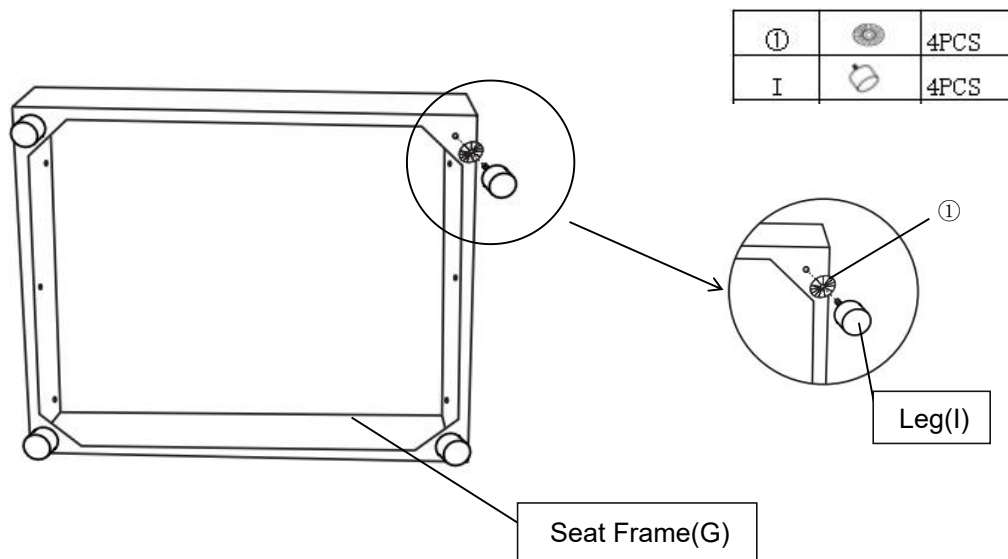
DIAGRAEM 8 Attach the Seat Frame(G) to the Right Armrest(C) using Nut (⑦) ,Flat Washer(⑤) ,Spring Washer(⑥) with Socket Spanner(⑨) ,turning clockwise until tight.



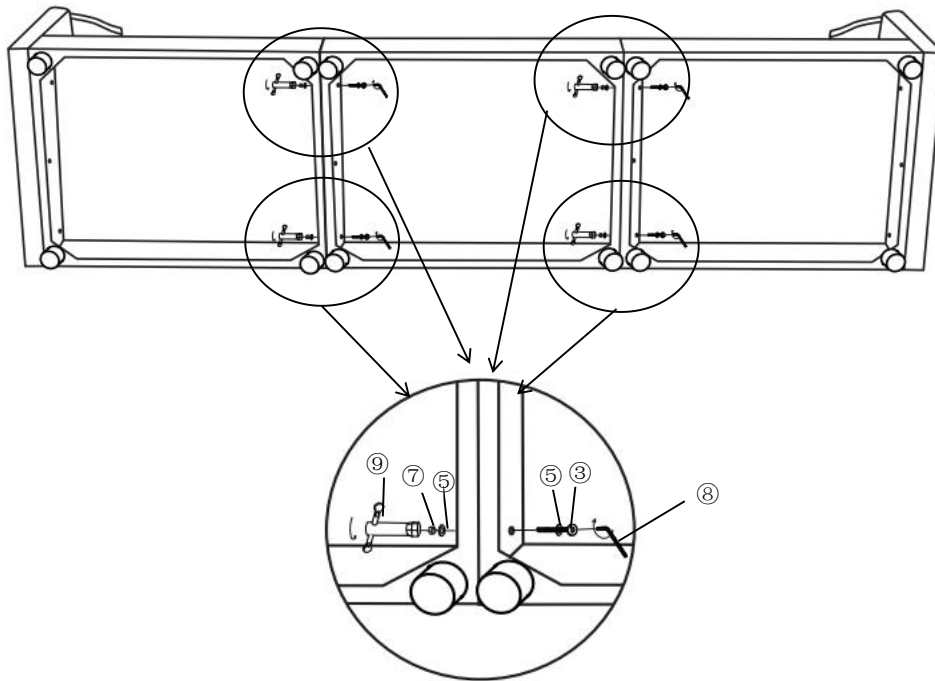
DIAGRAEM 9 Repeat the Step 6 to install the 4pcs Legs(I) to Seat Frame(G).



DIAGRAEM 10 Repeat the Step 6 to install the 4pcs Legs(I) to Seat Frame(G).

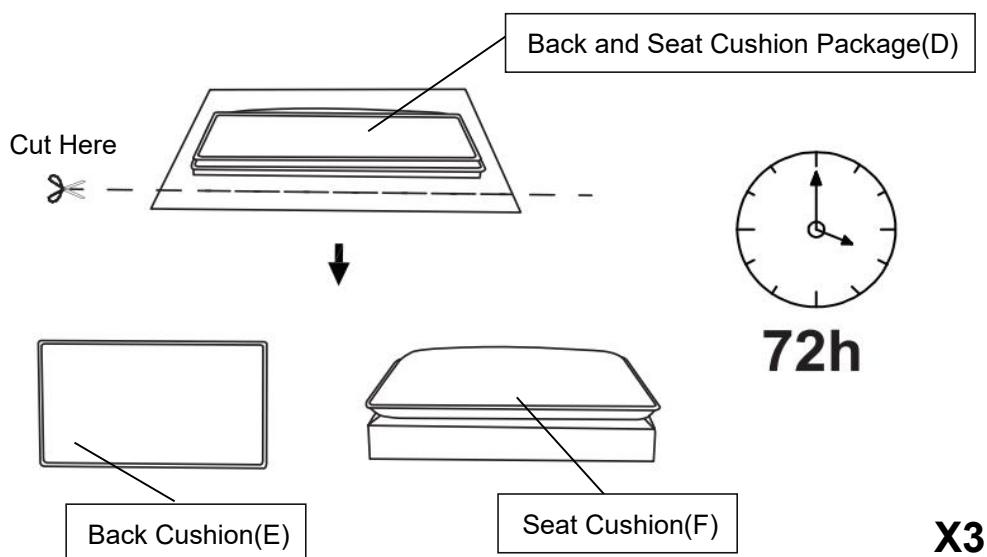


DIAGRAEM 11 Connect all of the fully assembled Seat Frames one by one using the Bolts(③) ,Flat Washers(⑤) with Allen Wrench(⑧),the other side using Nuts (⑦),Flat Washers(⑤) with Socket Spanner(⑨) as picture showed,turning clockwise until tight.

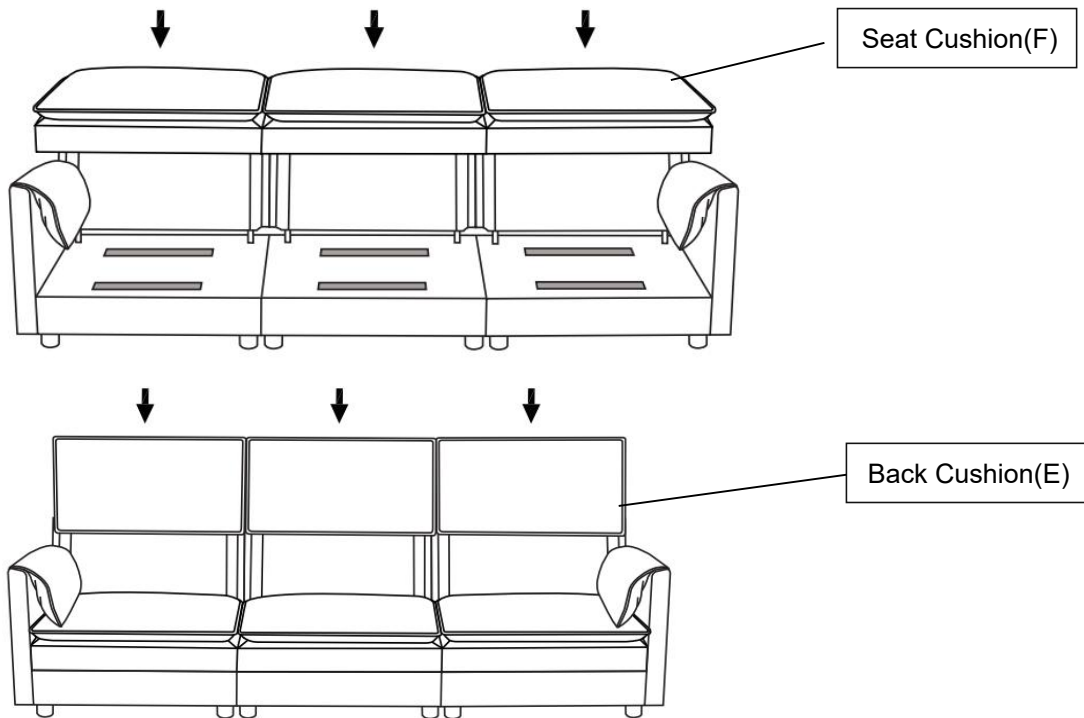


③		4PCS
⑤		8PCS
⑦		4PCS
⑧		1PC
⑨		1PC

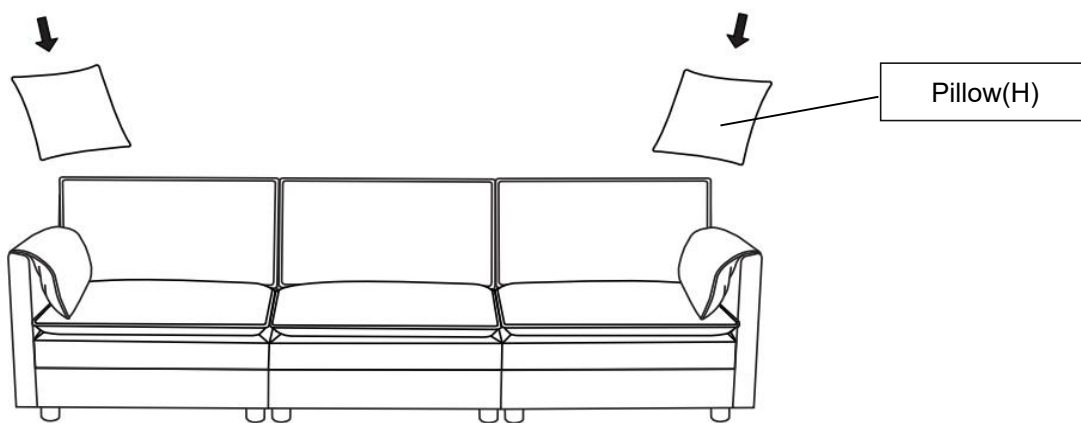
DIAGRAEM 12 Cut the Back and Seat Cushion Package (D) , then take out 3 pcs Back Cushions (E) and 3 pcs Seat Cushions (F).Full decompression may take up to 72 hours.



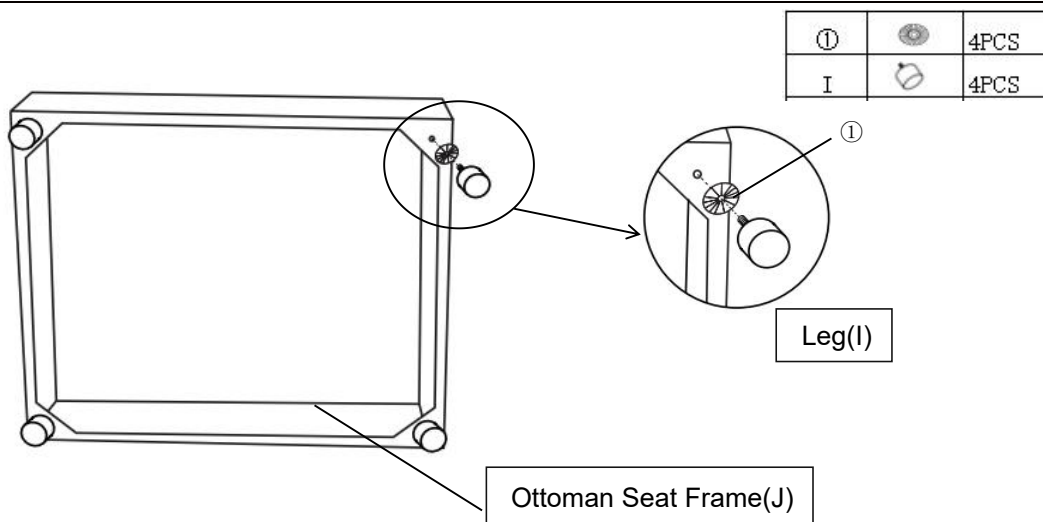
DIAGRAEM 13 Put the 3pcs Seat Cushions(F) and 3pcs Back Cushions(E) on the Sofa.



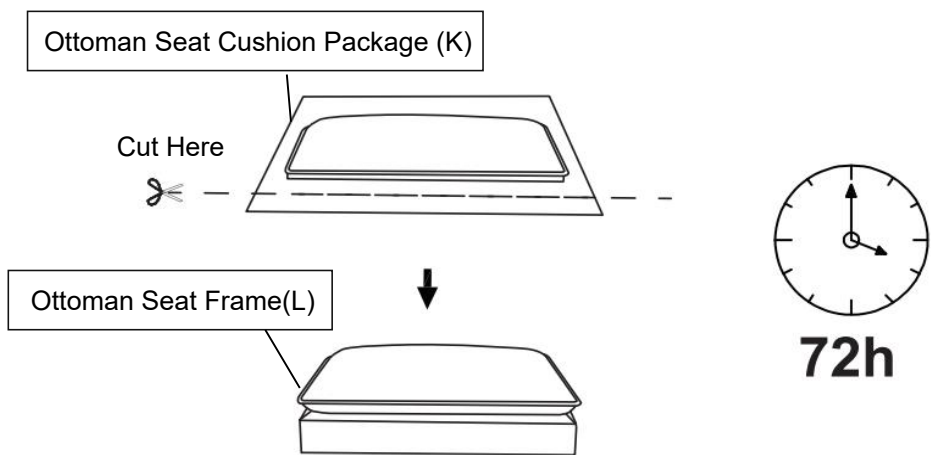
DIAGRAEM 14 Put the 2 pcs Pillows(H) on the Sofa.



DIAGRAEM 15 Repeat the Step 6 to install the 4pcs Legs(I) to Ottoman Seat Frame(J).



DIAGRAEM 16 Open the Ottoman Seat Cushion Package (K), then take out Ottoman Seat Cushion (L) .Full decompression may take up to 72 hours.



DIAGRAEM 17 Put the Ottoman Seat Cushion (L) on the Ottoman Seat Frame(J).Your Ottoman is ready for use.

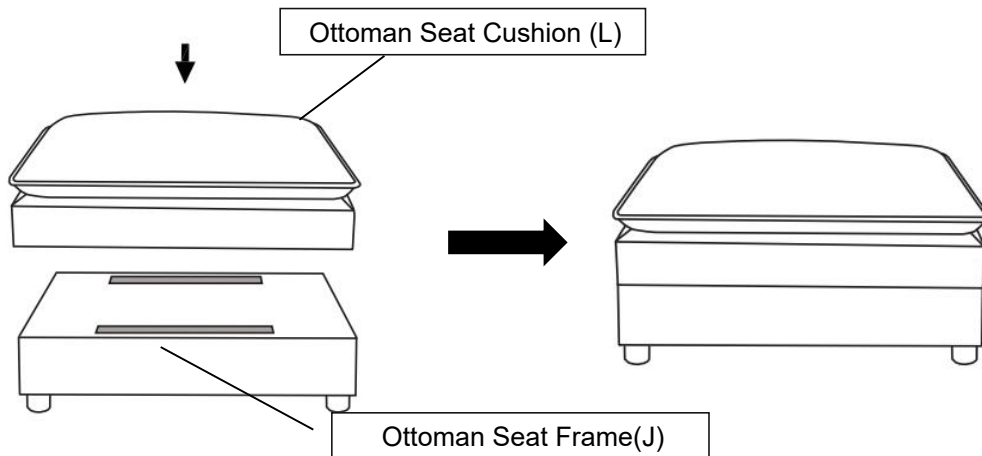
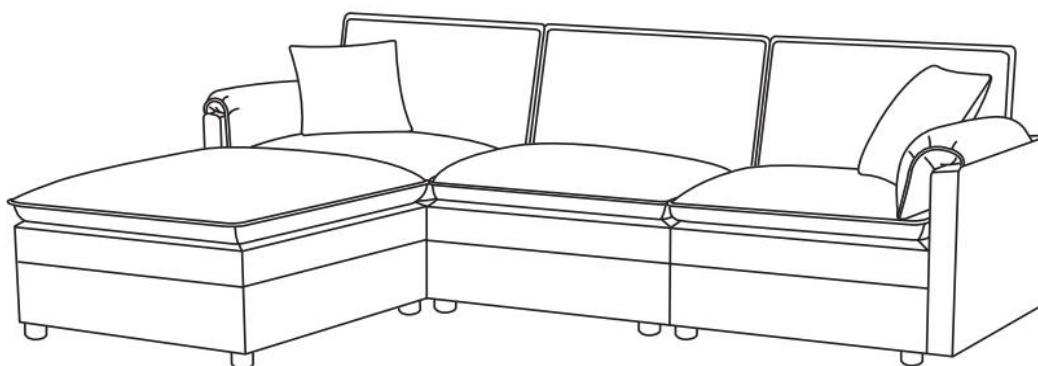


DIAGRAM 18 Your Sectional Sofa is ready for use.Your Sectional Sofa can only be used on a flat, level surface.



Complete