

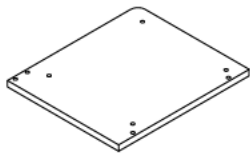
READ AND SAVE THIS INSTRUCTION FOR FUTURE USE



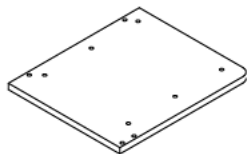
Tools Recommended

ASSEMBLY INSTRUCTION

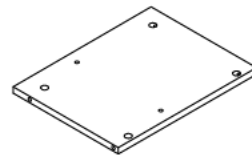
1



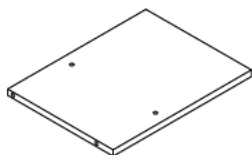
2



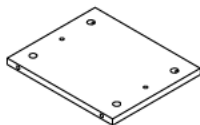
3



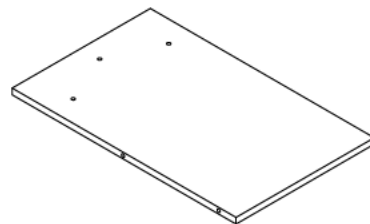
4



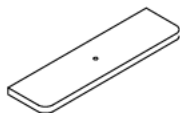
5



6



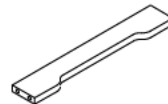
7



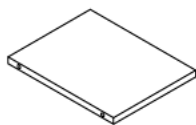
8



9



10



11



12



x2

x2

13



14



15

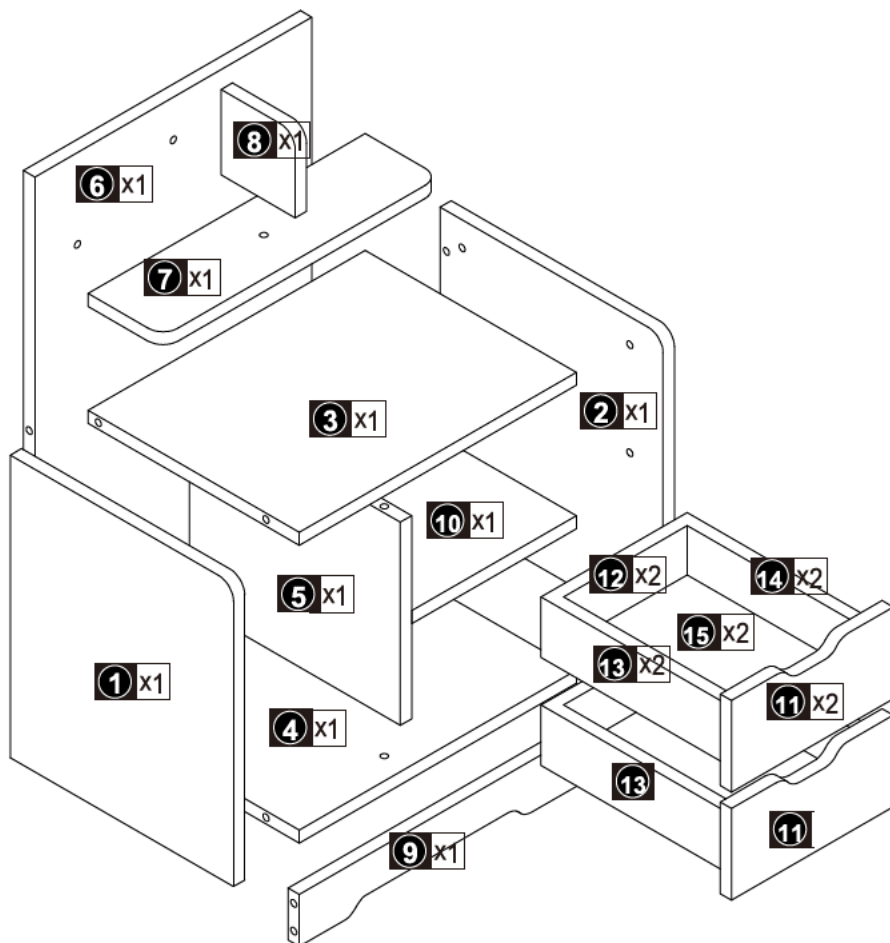







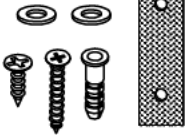
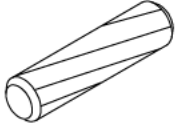
x2

x2

x2



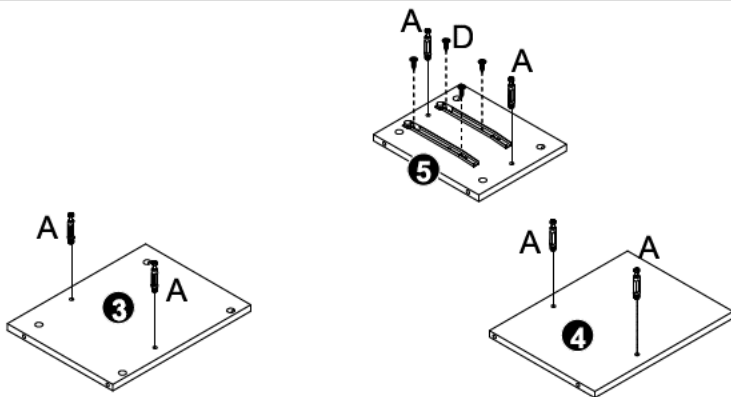


 <p>A x42</p>	 <p>B x42</p>	 <p>C x2</p>
 <p>D x20</p>	 <p>E x42</p>	 <p>F x 1</p>
 <p>G x 2</p>		



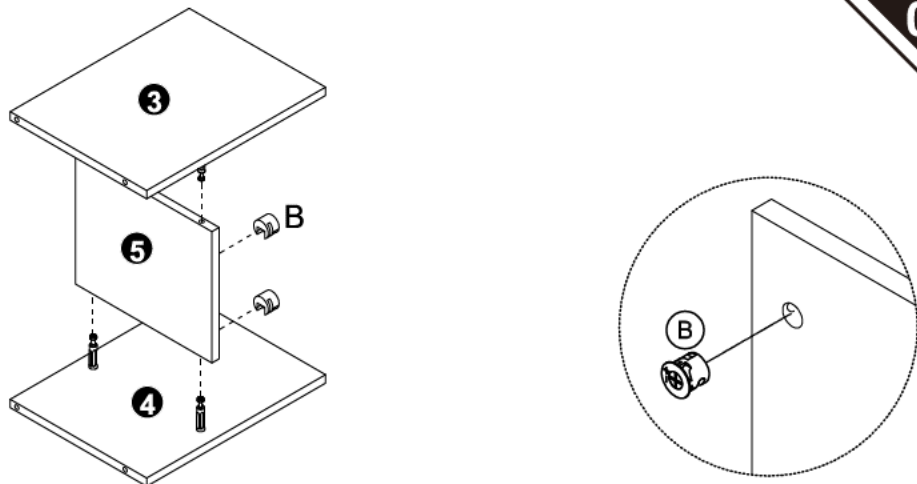
01

- 3** x1
- 4** x1
- 5** x1
- A** x 6
- C** x 2
- D** x 4



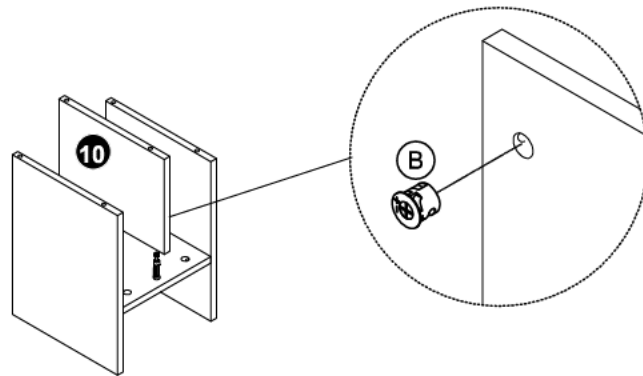
02

- B** x4



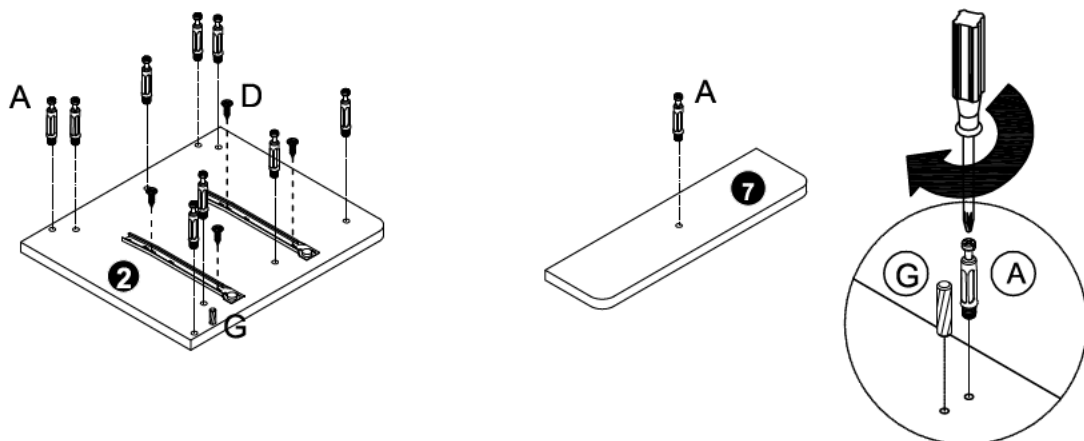
03

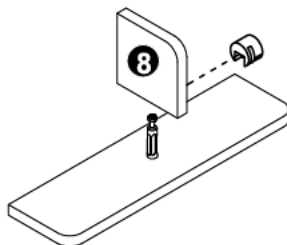
- 10** x1
- B** x2



04

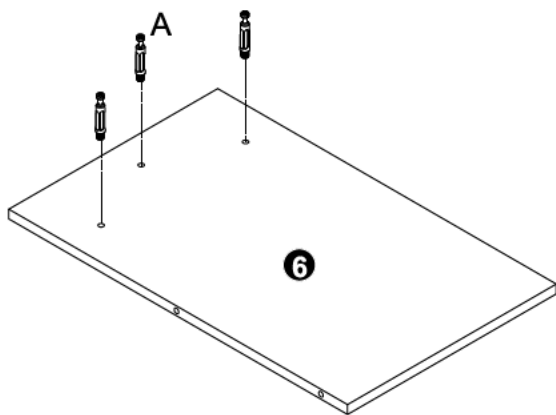
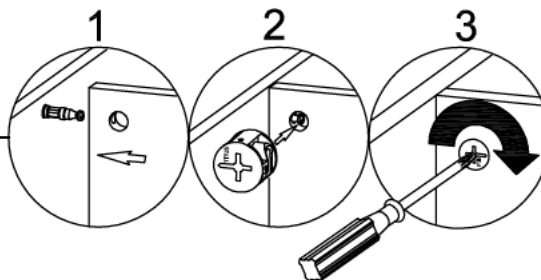
- 2** x1
- 7** x1
- A** x10
- C** x 2
- D** x 4
- G** x 1





8 x1

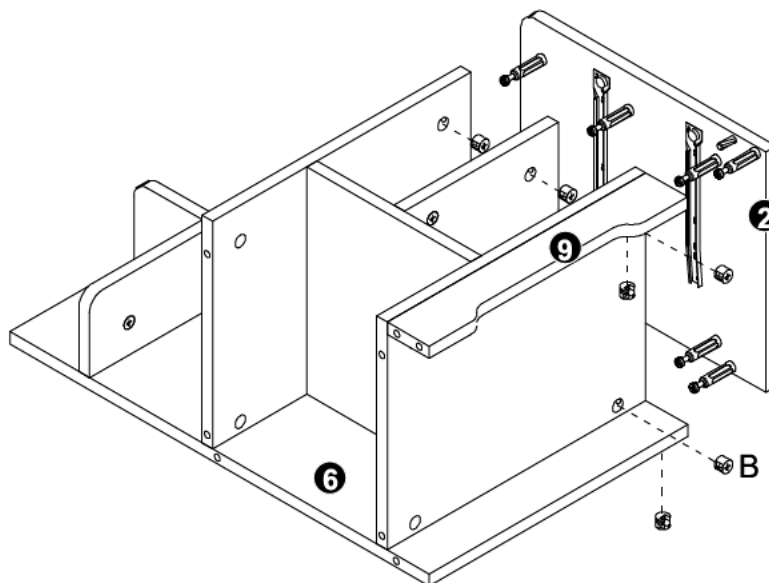
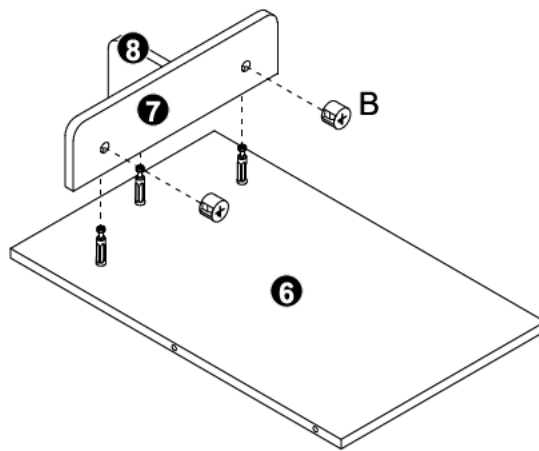
B x1



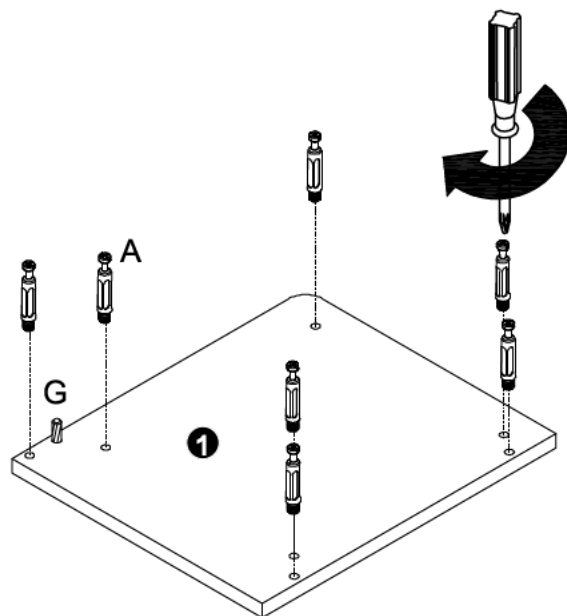
8 x1

A x3

B x3



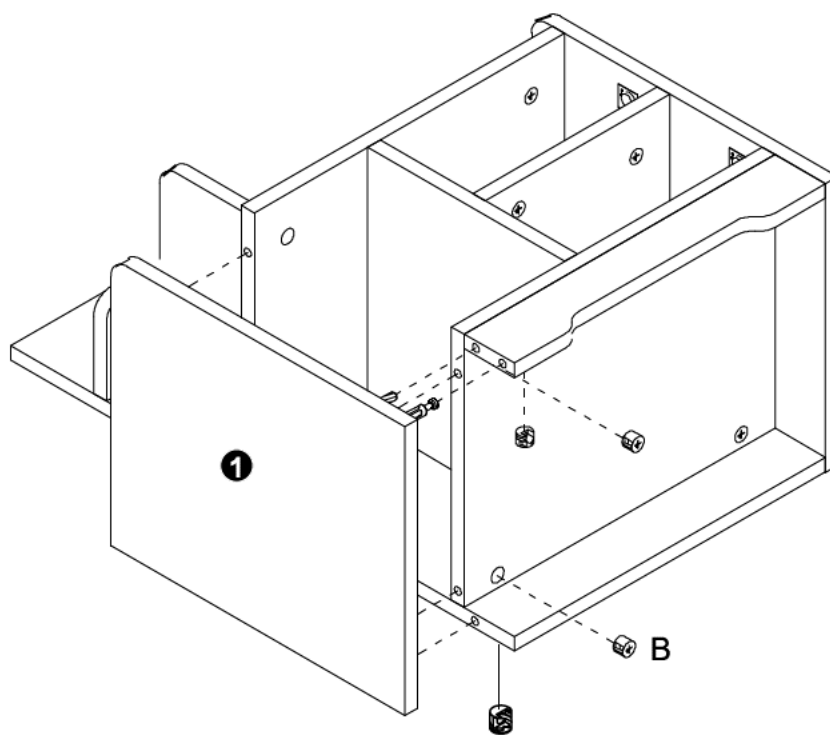
B x9



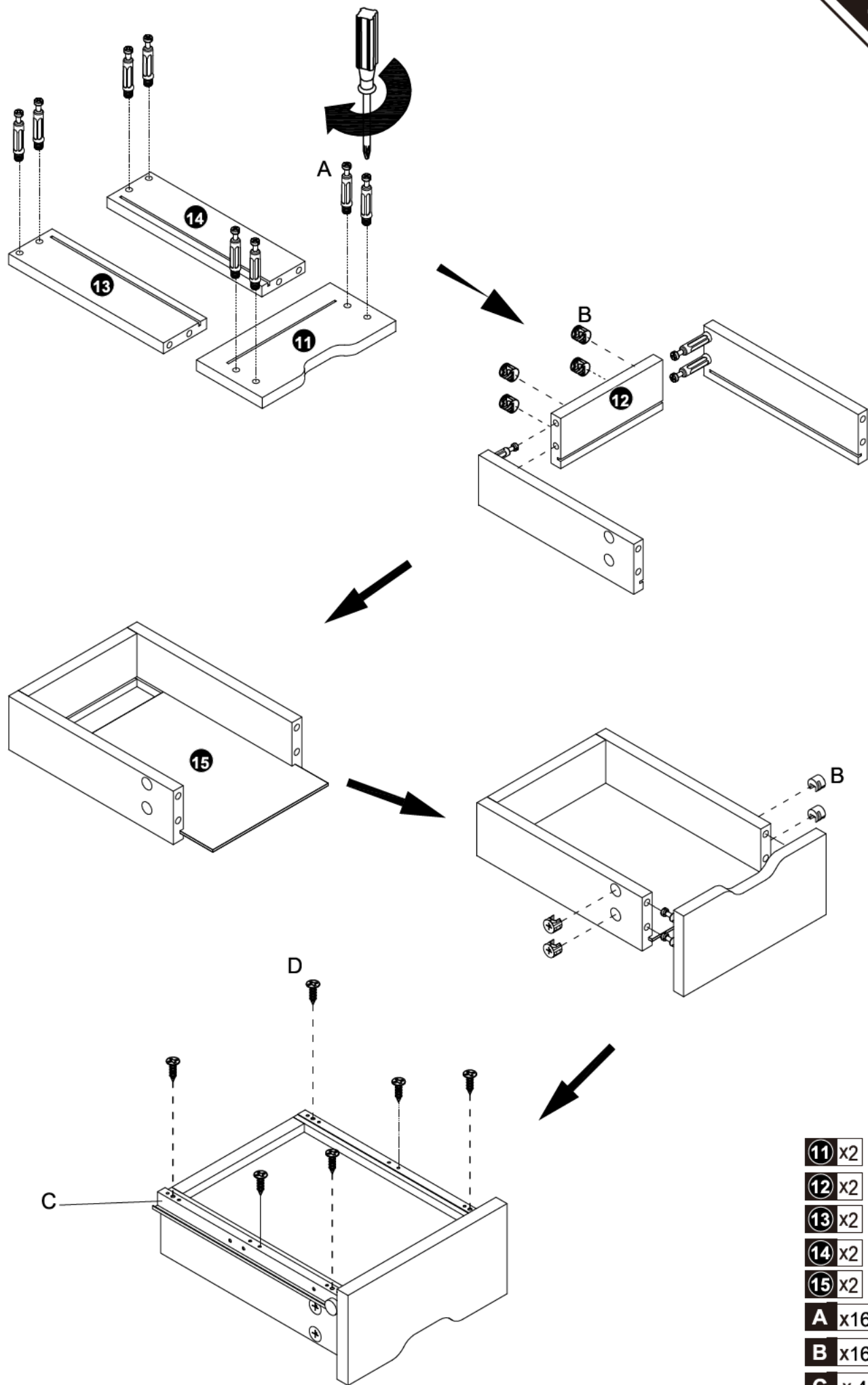
1 x2

A x7

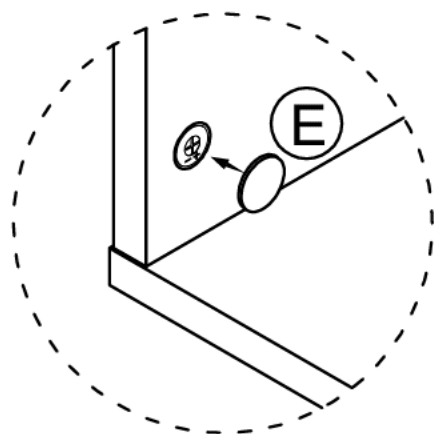
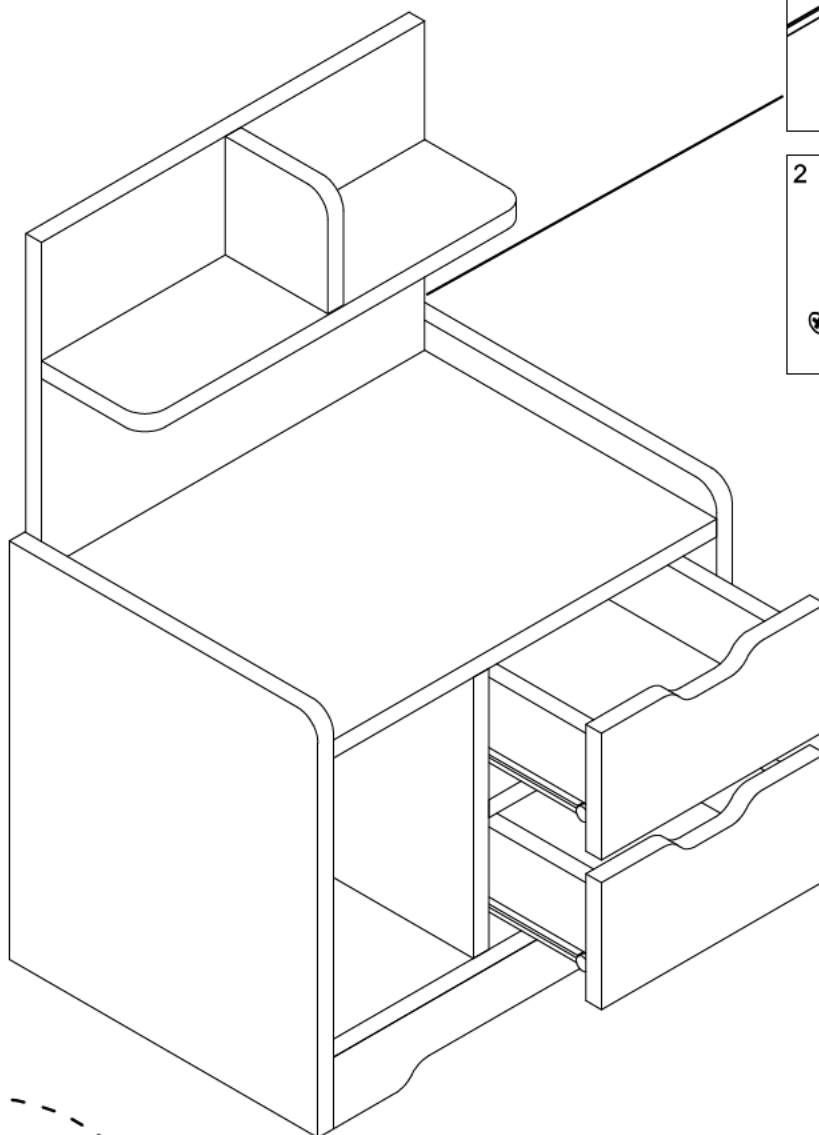
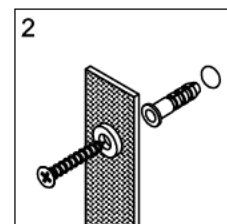
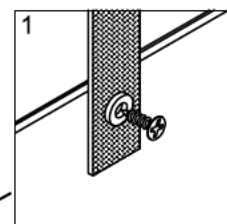
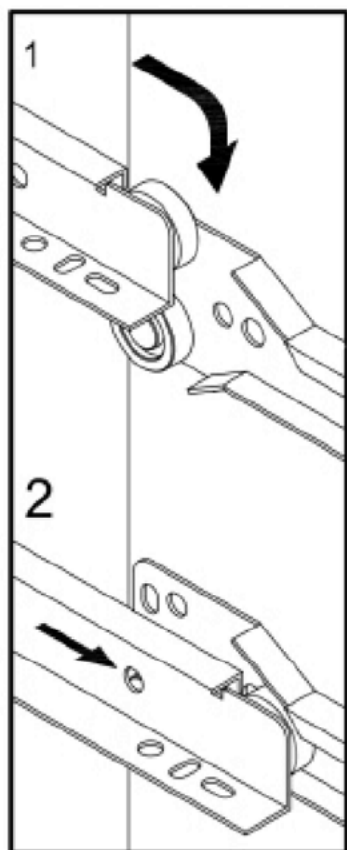
G x1



B x7



- 11** x2
- 12** x2
- 13** x2
- 14** x2
- 15** x2
- A** x16
- B** x16
- C** x 4
- D** x12



E x42

F x 1