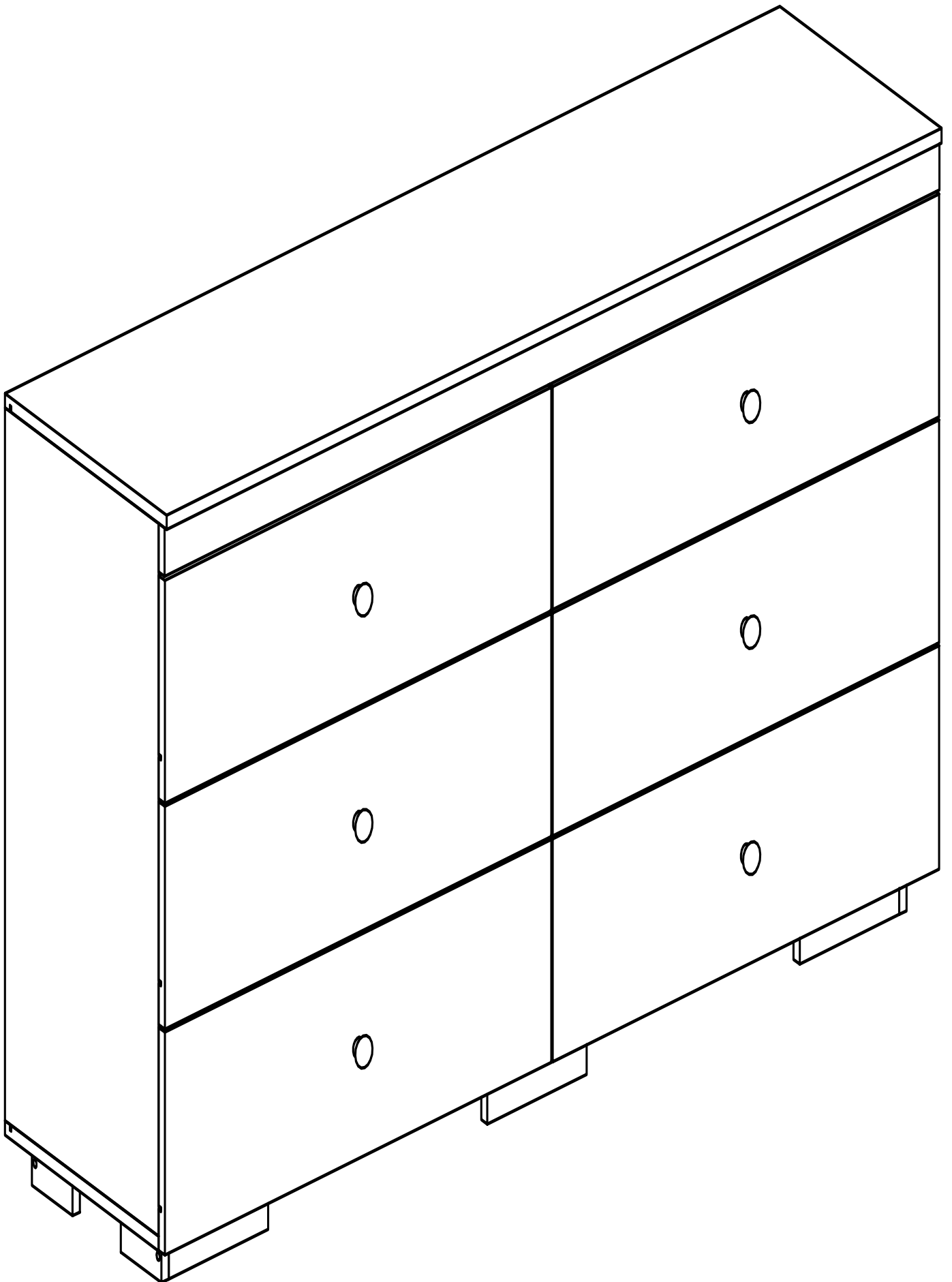








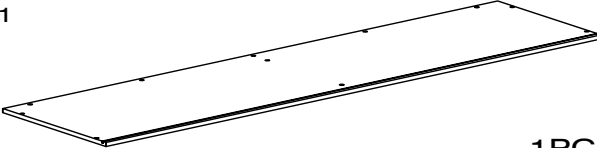
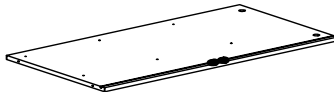

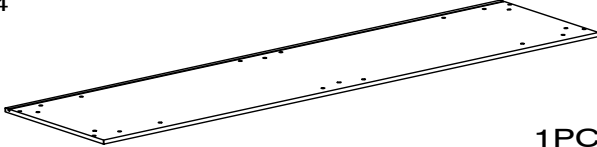
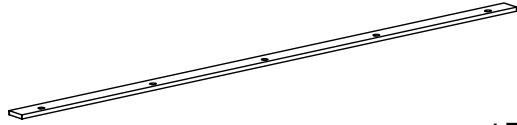
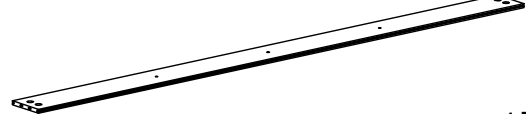
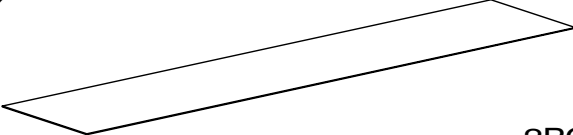


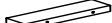
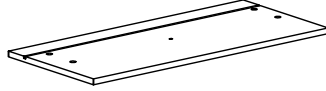
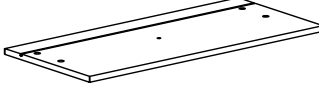
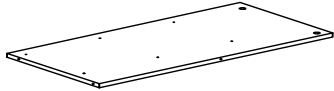





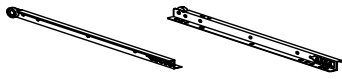


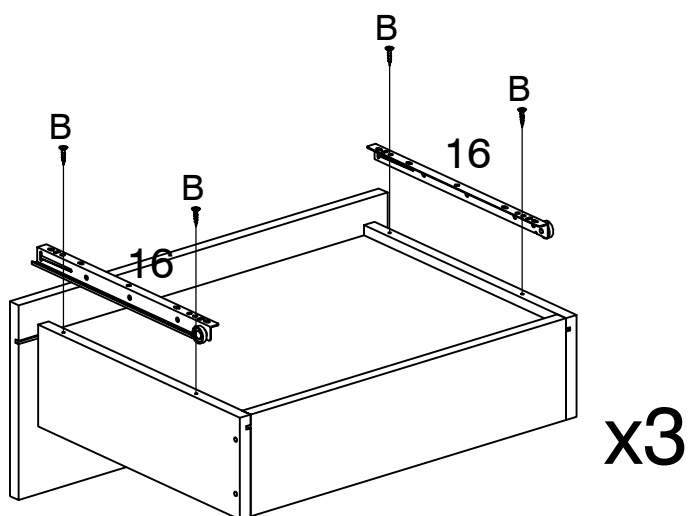
ASSEMBLY INSTRUCTION




No.	PICTURE	SIZE	QTY	No.	PICTURE	SIZE	QTY
A		M6x35 φ 15	39	B		M3.5x14	48
C		M5x40	51	D		M4x18	6
E			6	F			2
G		M4x50	2				

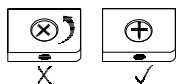
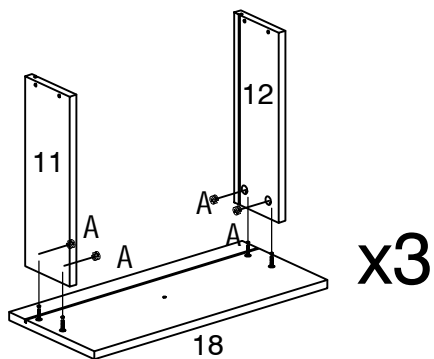
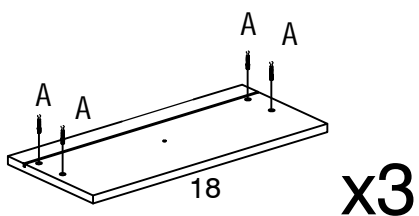
1				2			
	1PC				1PC		
3				4			
	1PC				1PC		
5				6			
	1PC				1PC		
7				8		9	
	2PCS				4PCS		4PCS
				15			
					2PCS		
10			18			17	
	3PCS			3PCS			1PC
11				12			
	6PCS				6PCS		
13				14			
	6PCS				6PCS		
15				16			
	6PCS				6PCS		

STEP3

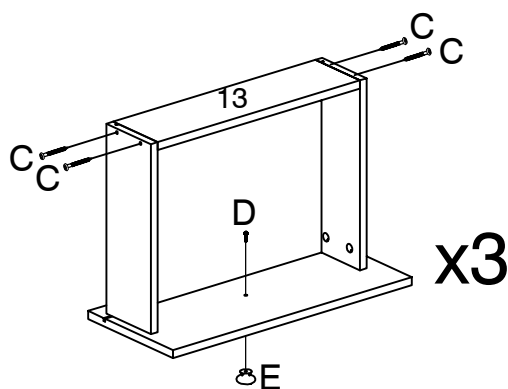
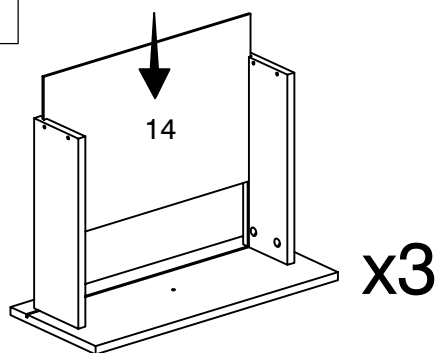






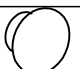
B		M3.5x14	12
---	---	---------	----

STEP4

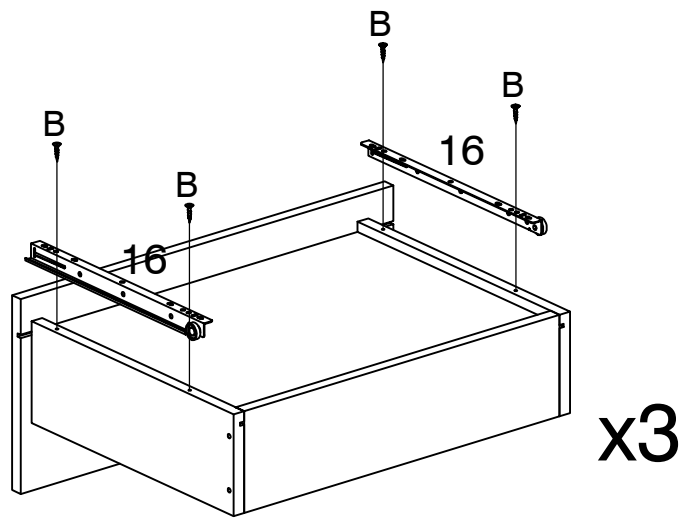



STEP5



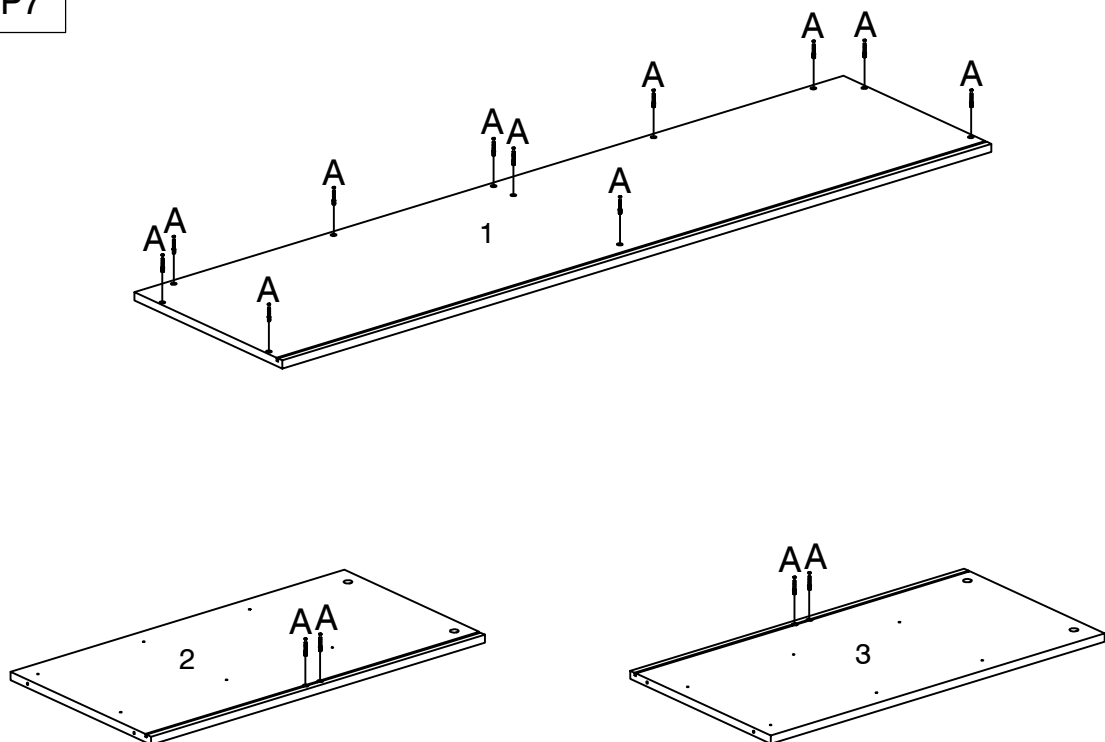
A	 	M6x35 φ 15	12	C		M5x40	12
				D		M4x18	3
				E			3


STEP6



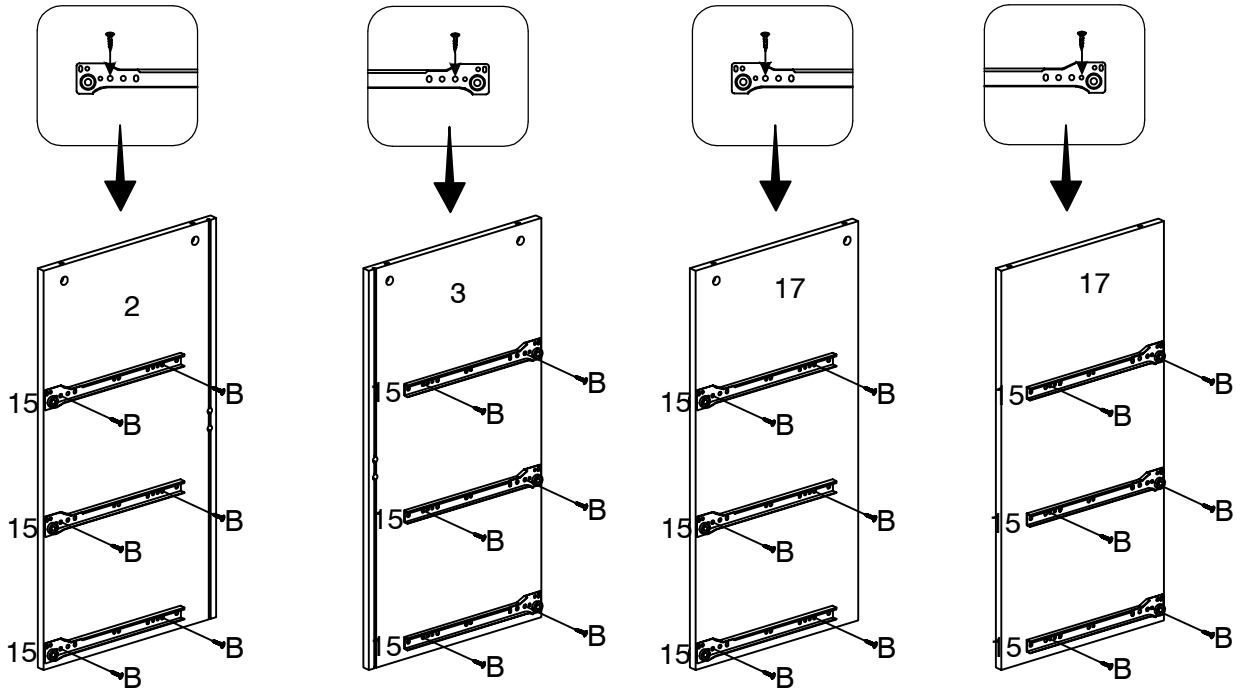
B		M3.5x14	12
---	---	---------	----


STEP7



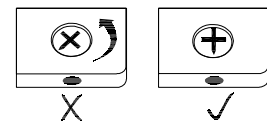
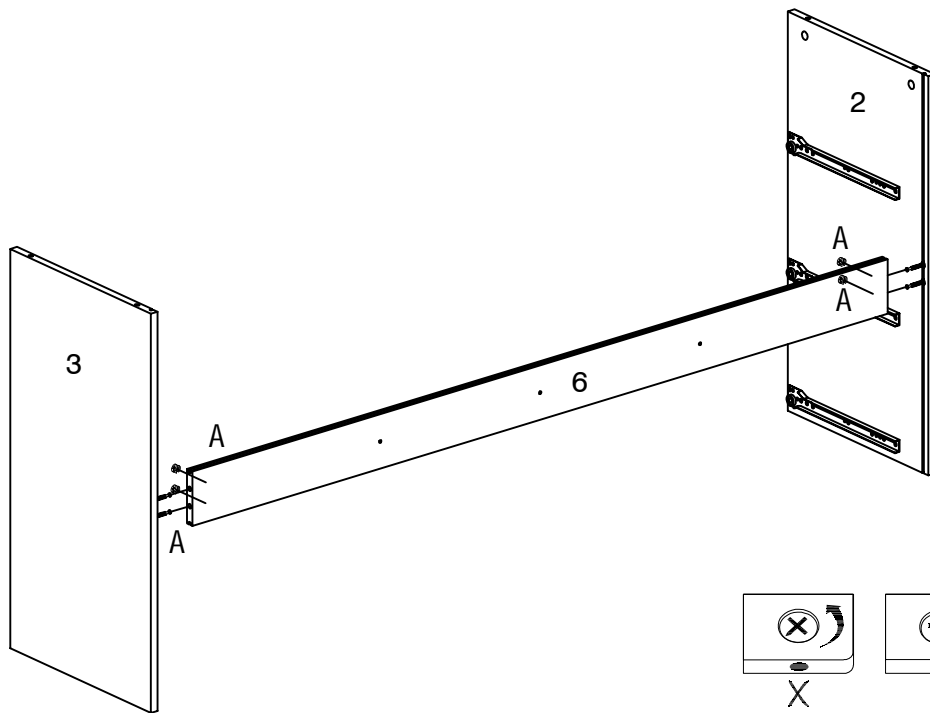
A		M6x35	15
---	---	-------	----


STEP8



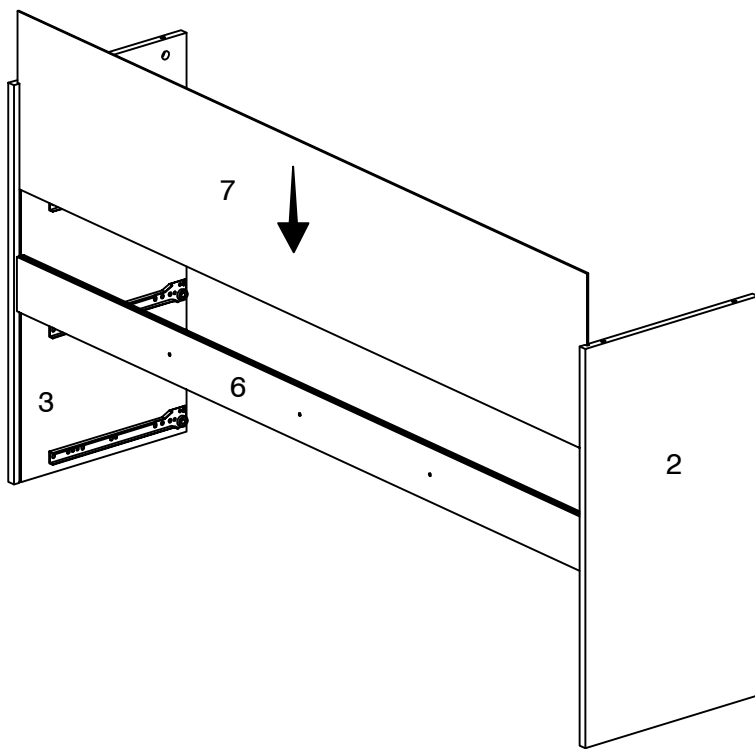
B		M3.5x14	24
---	---	---------	----

STEP9

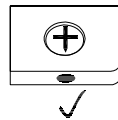
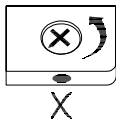
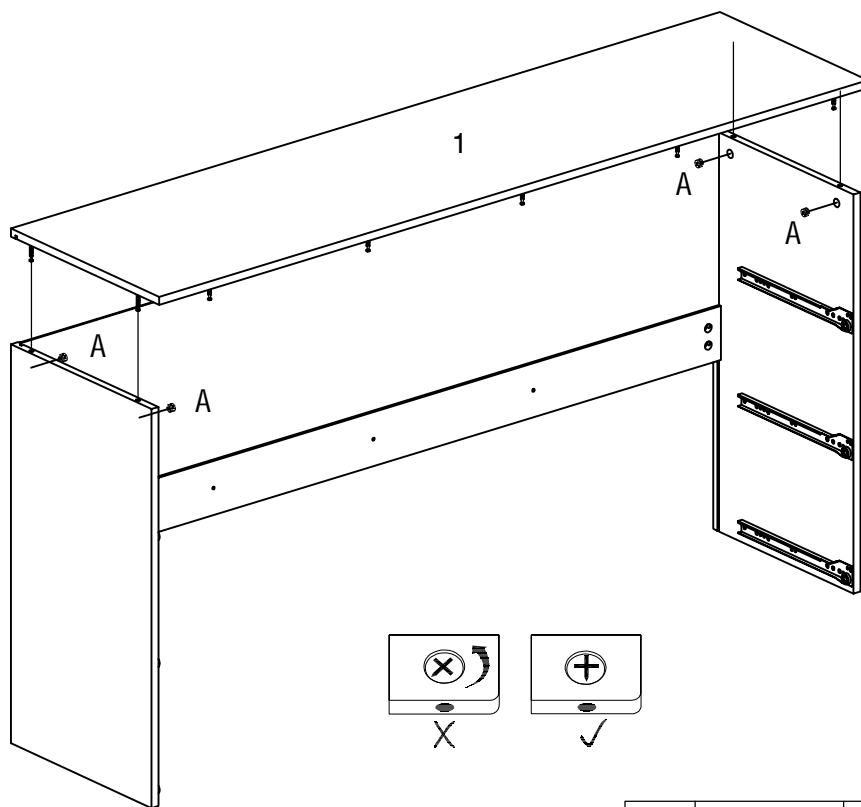



A		φ 15	4
---	---	------	---

STEP10

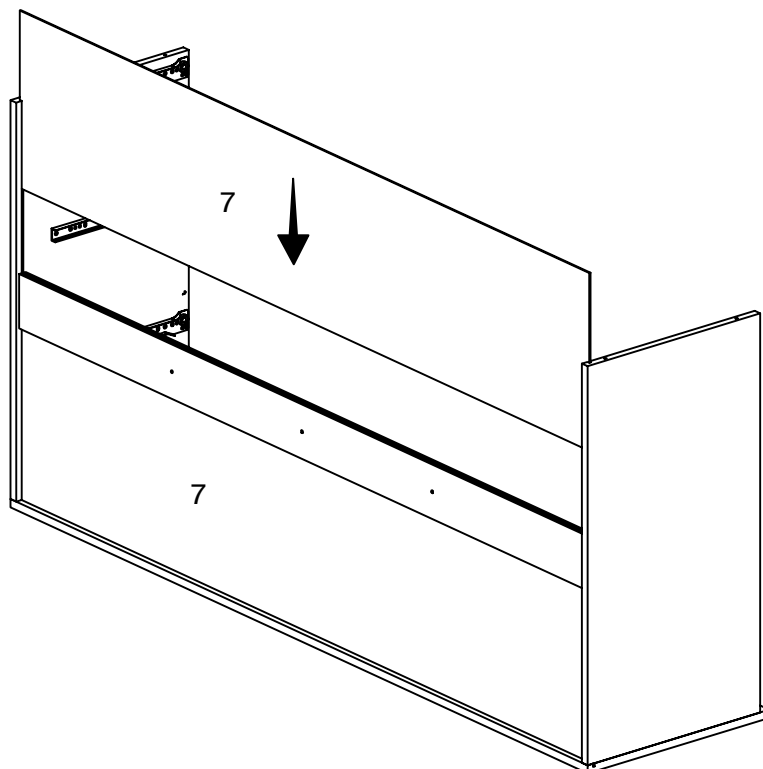


STEP11

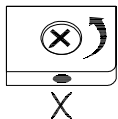


A		$\phi 15$	4
---	---	-----------	---

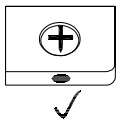
STEP12



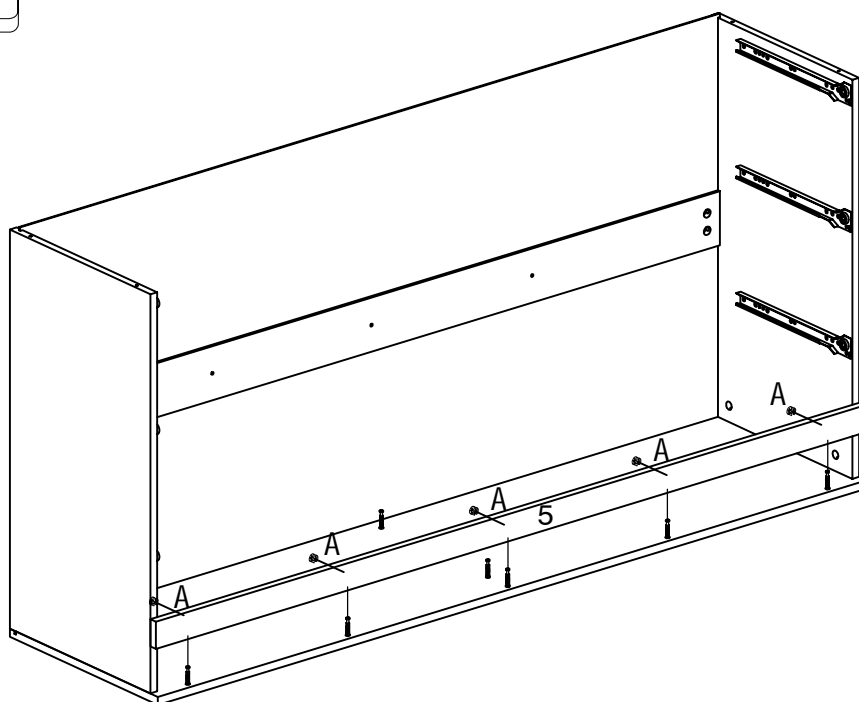
STEP13




X

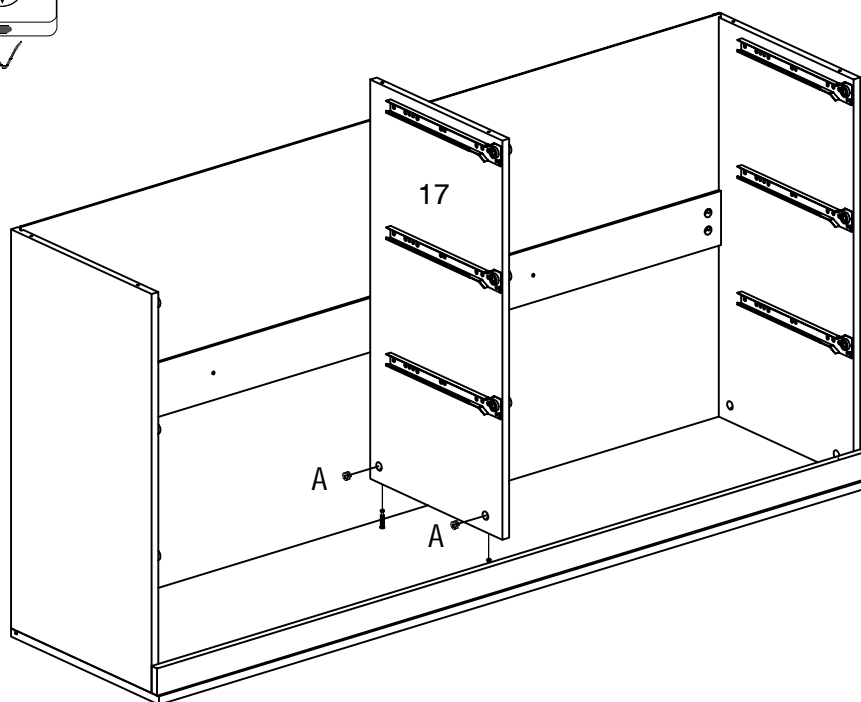
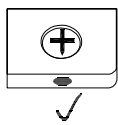
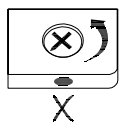


✓



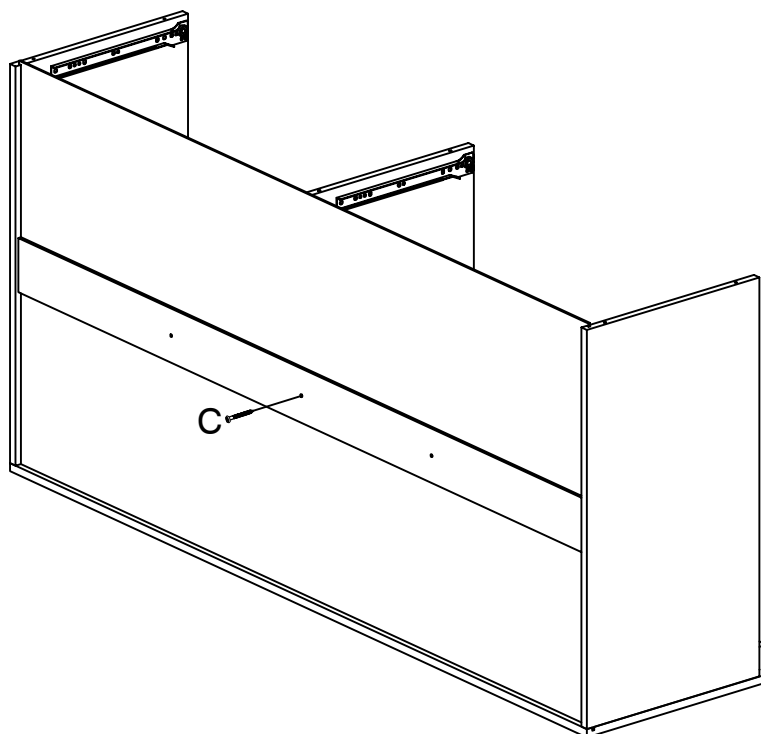
A		$\phi 15$	5
---	---	-----------	---

STEP14



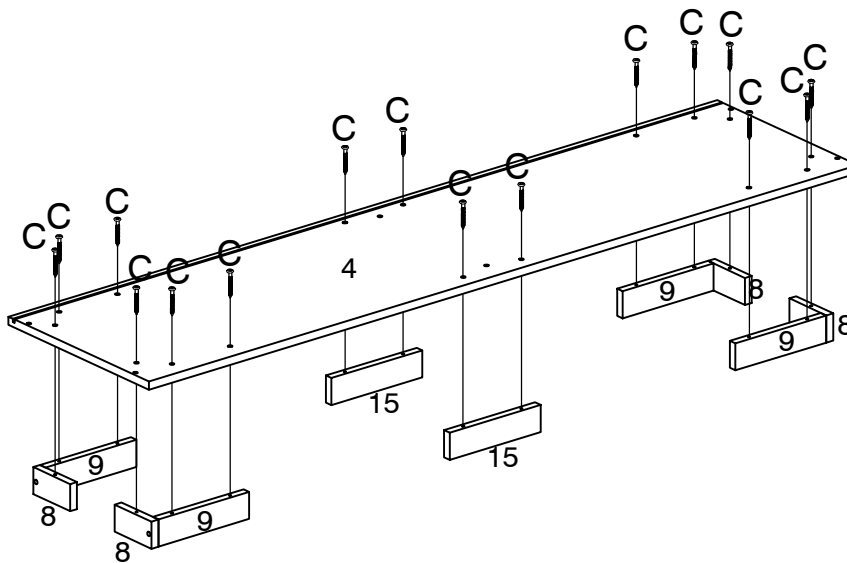
A		$\phi 15$	2
---	--	-----------	---


STEP15



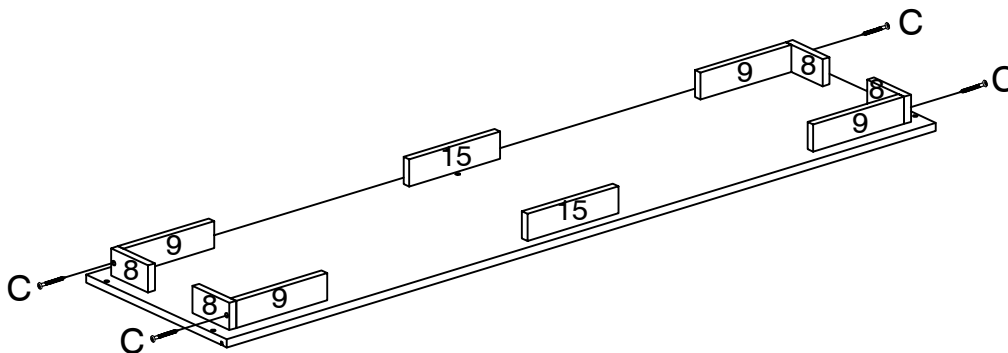
C		M5x40	1
---	--	-------	---


STEP16



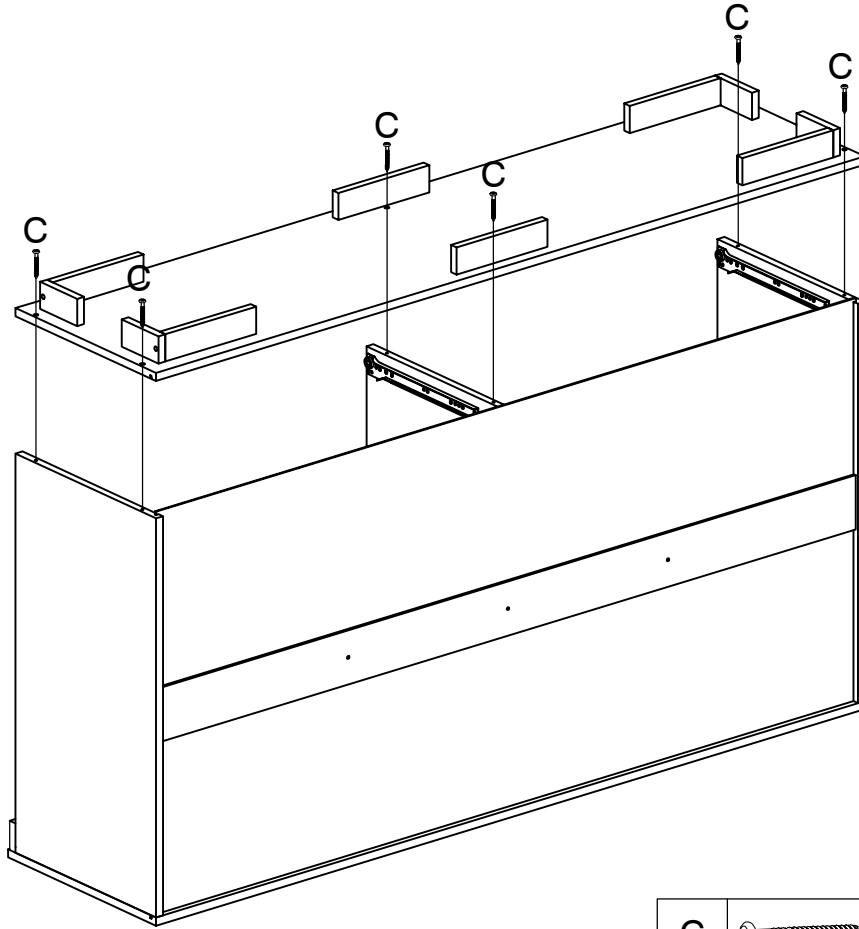
C		M5x40	16
---	---	-------	----

STEP17



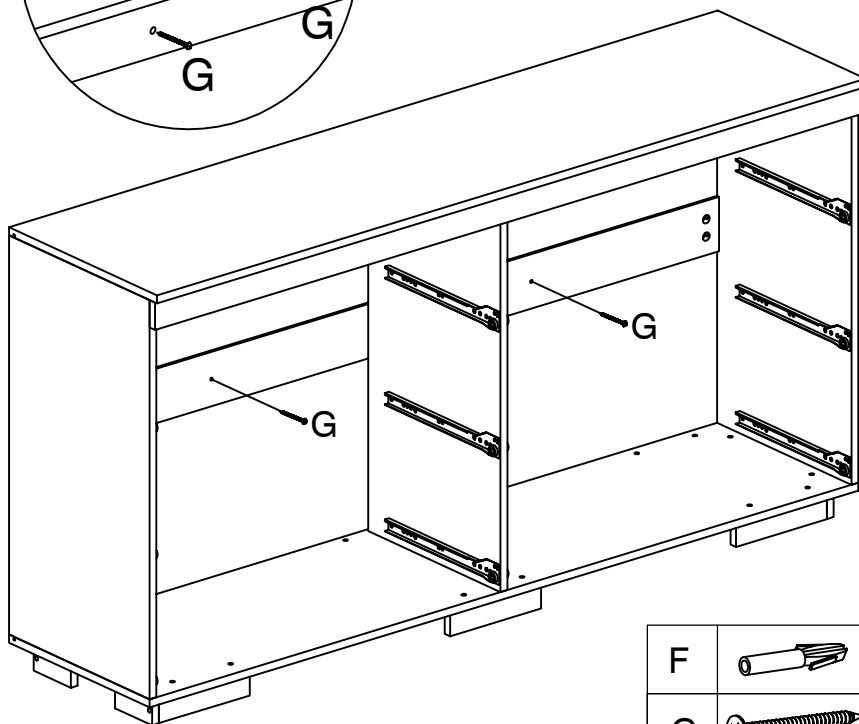
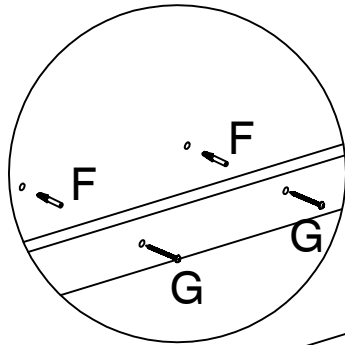
C		M5x40	4
---	---	-------	---



STEP18



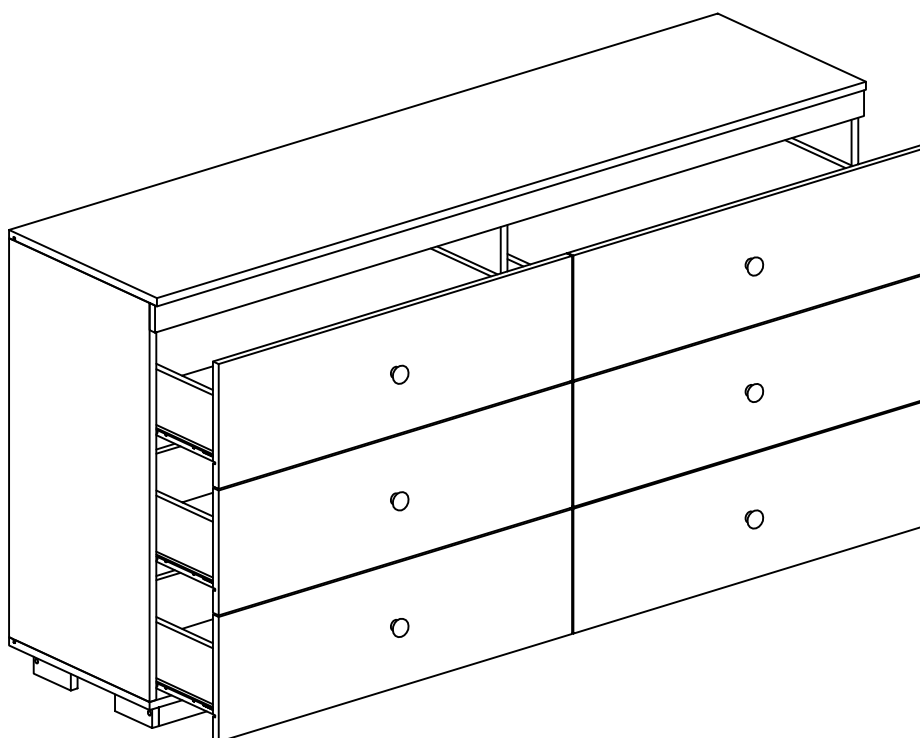
C		M5x40	6
---	---	-------	---

STEP19



F			2
G		M4x50	2

STEP20



STEP21

