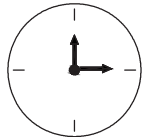
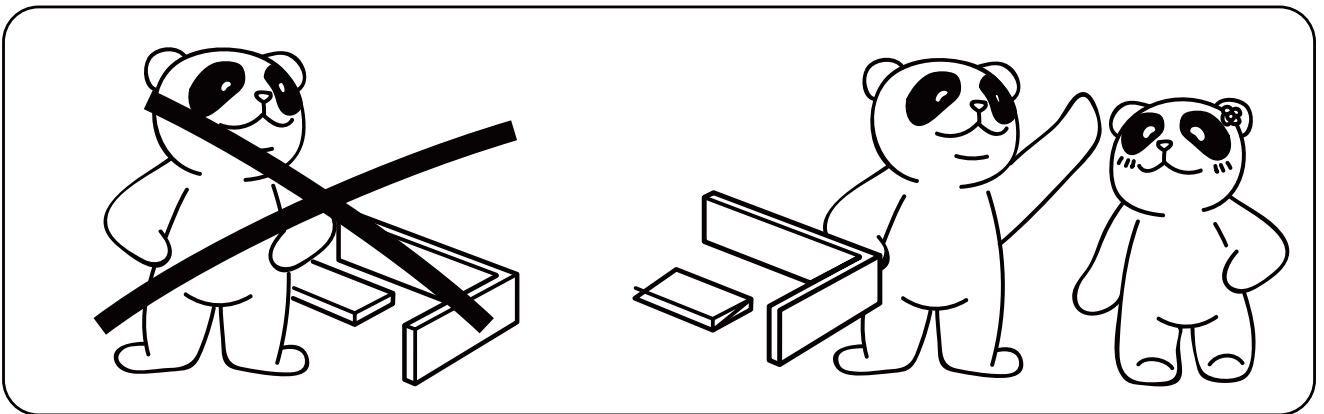
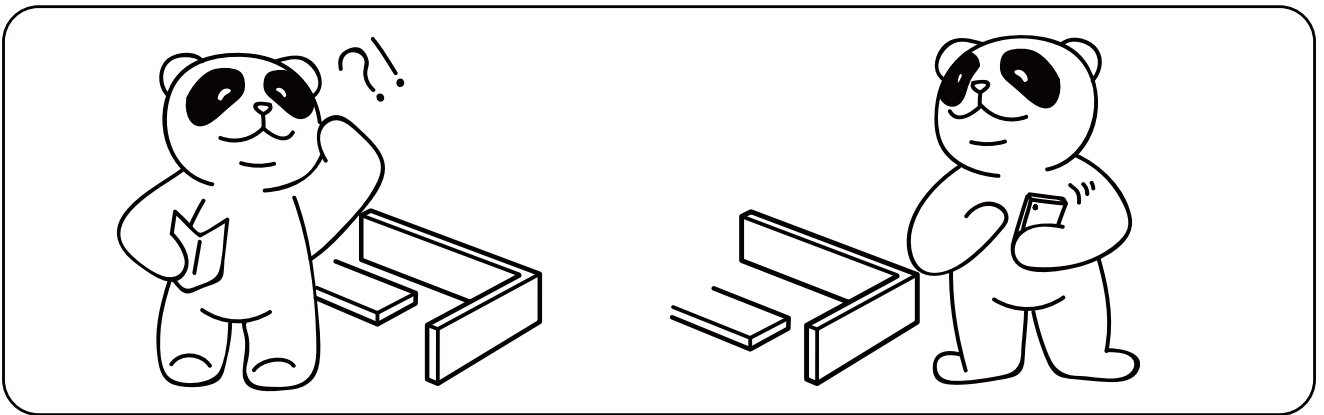
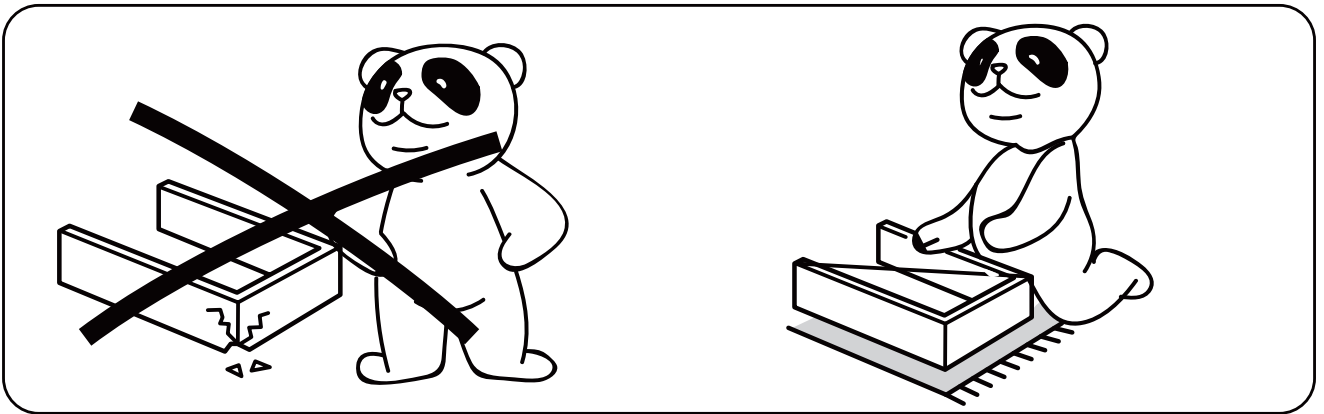
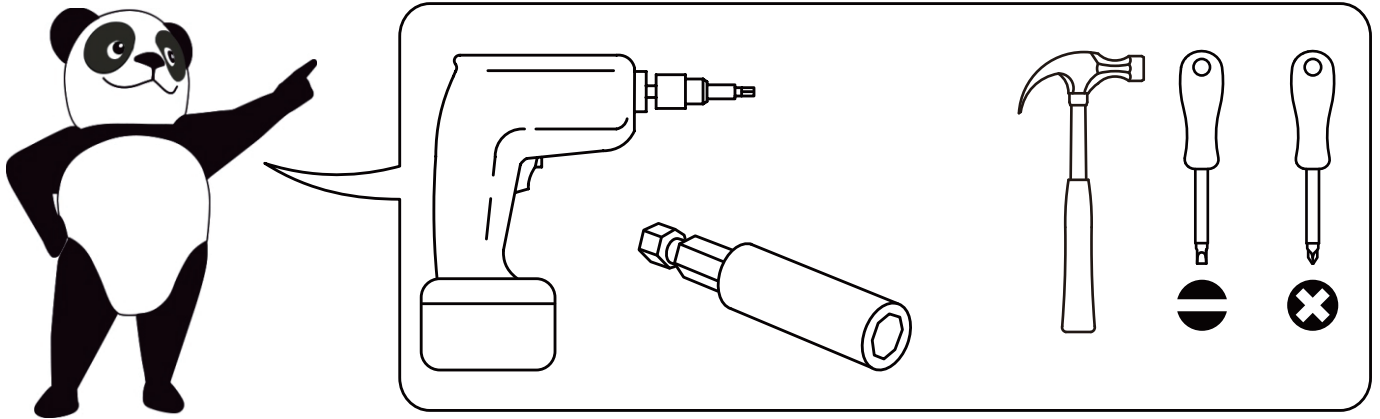


2 PERS.



180 MIN

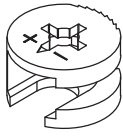


Installation Parts



A

x55(+2)
Ø6x35mm



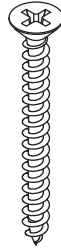
B

x55(+2)
Ø5x10mm



C

x10(+2)
Ø6x30mm



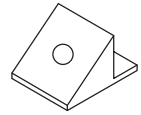
D

x43(+2)
Ø4x35mm



E

x74(+3)
Ø3.5x10mm



F

x8(+1)



G

x8(+1)
Ø3x16mm



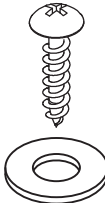
H

x12(+1)
Ø4x16mm



J

x2
Ø6x30mm



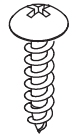
K

x2
Ø4x14mm



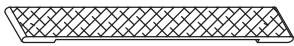
L

x1



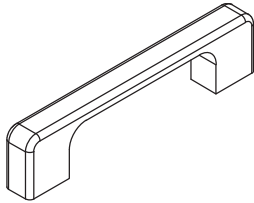
M

x1



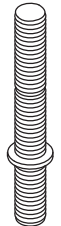
N

x2



O

x6



P

x3



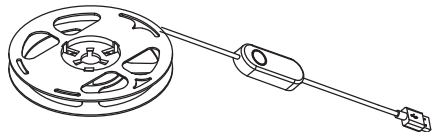
Q

x3
Ø6x25mm



R

x1



S

x1



CL-1

x6

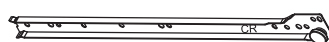
L350mm



DL-1

x6

L350mm



CR-1

x6

L350mm

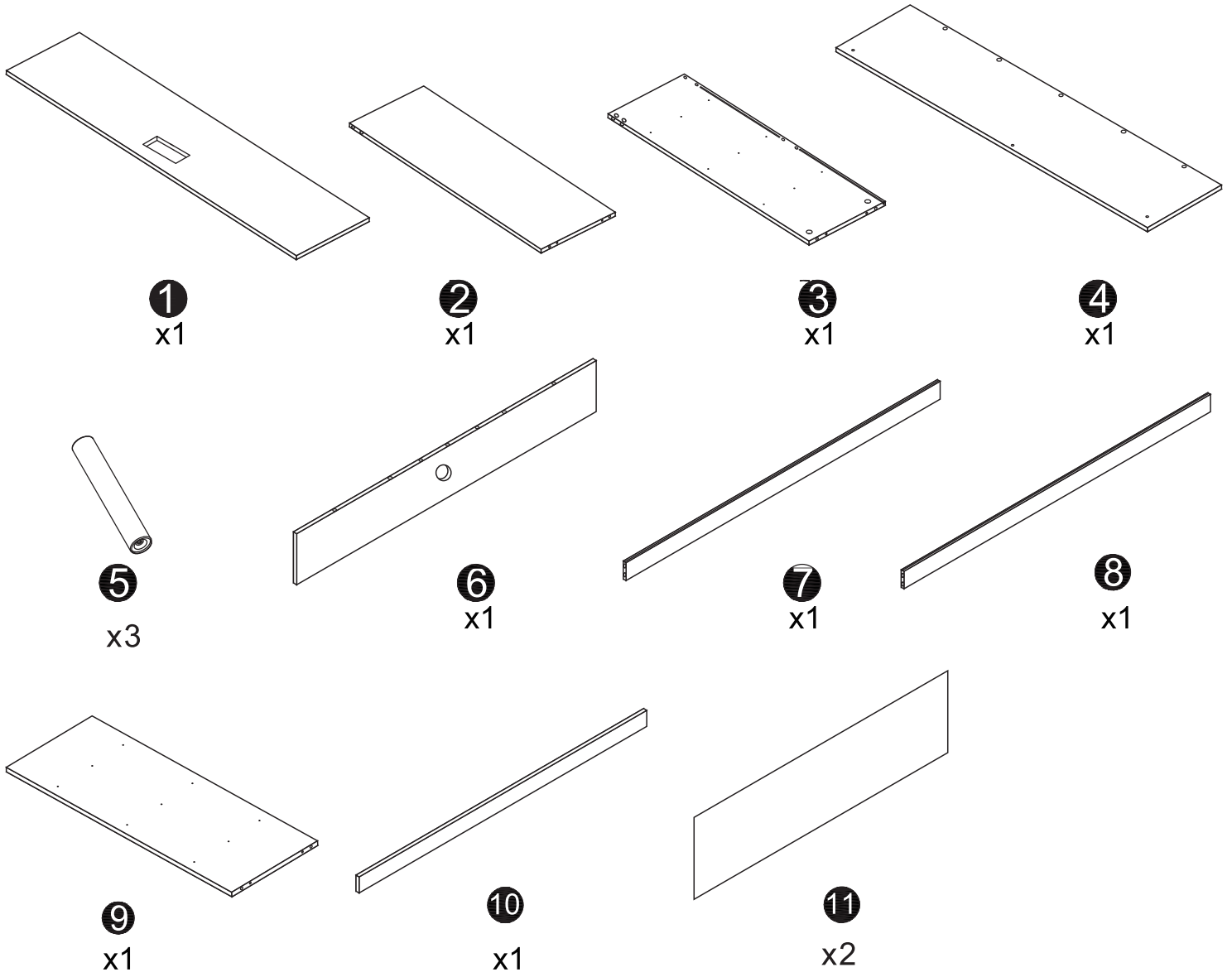


DR-1

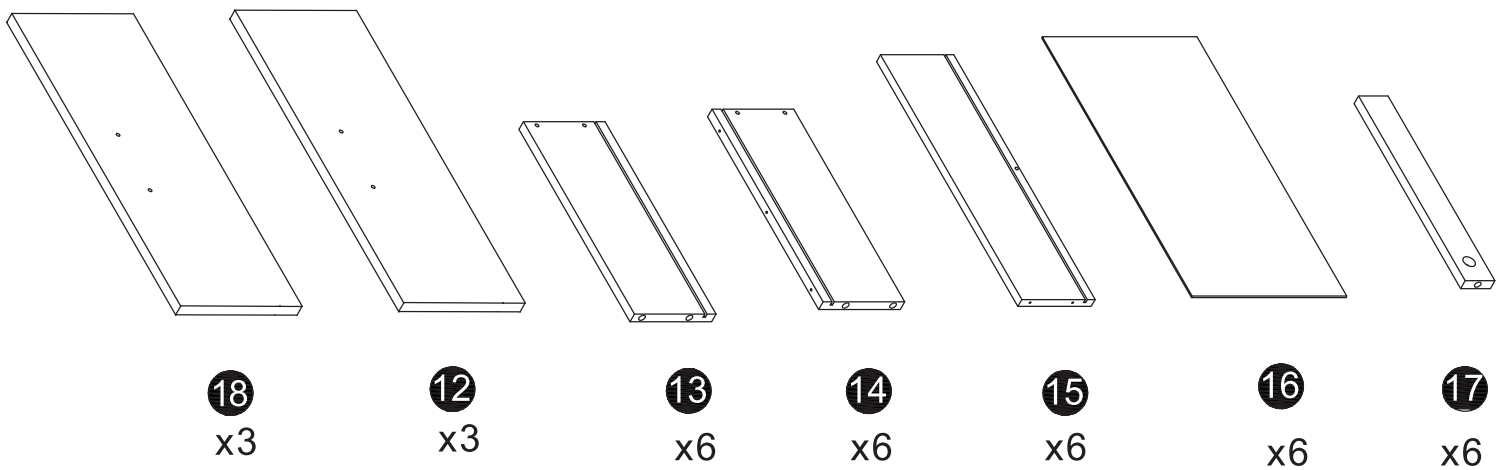
x6

L350mm

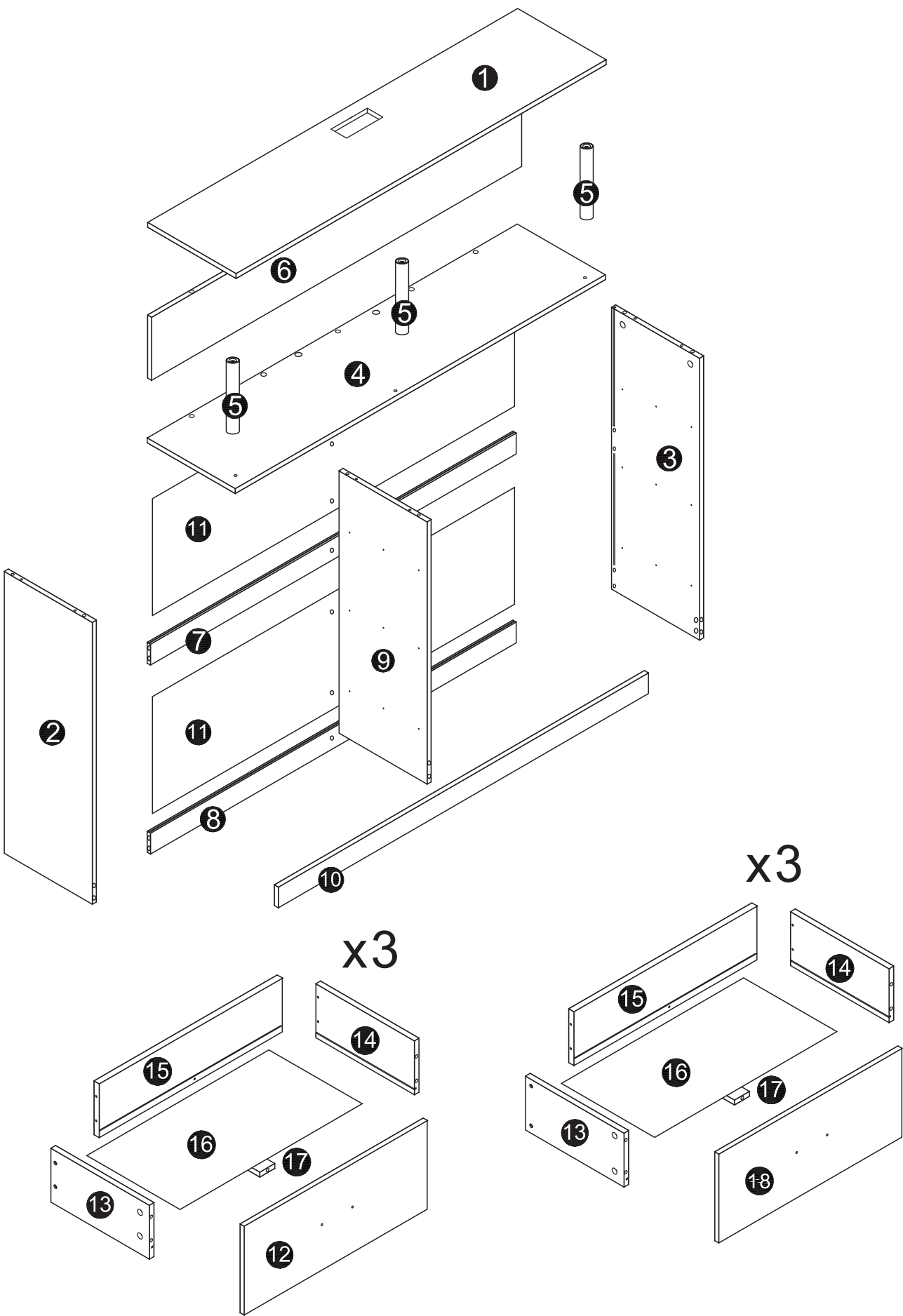
Mounting frame



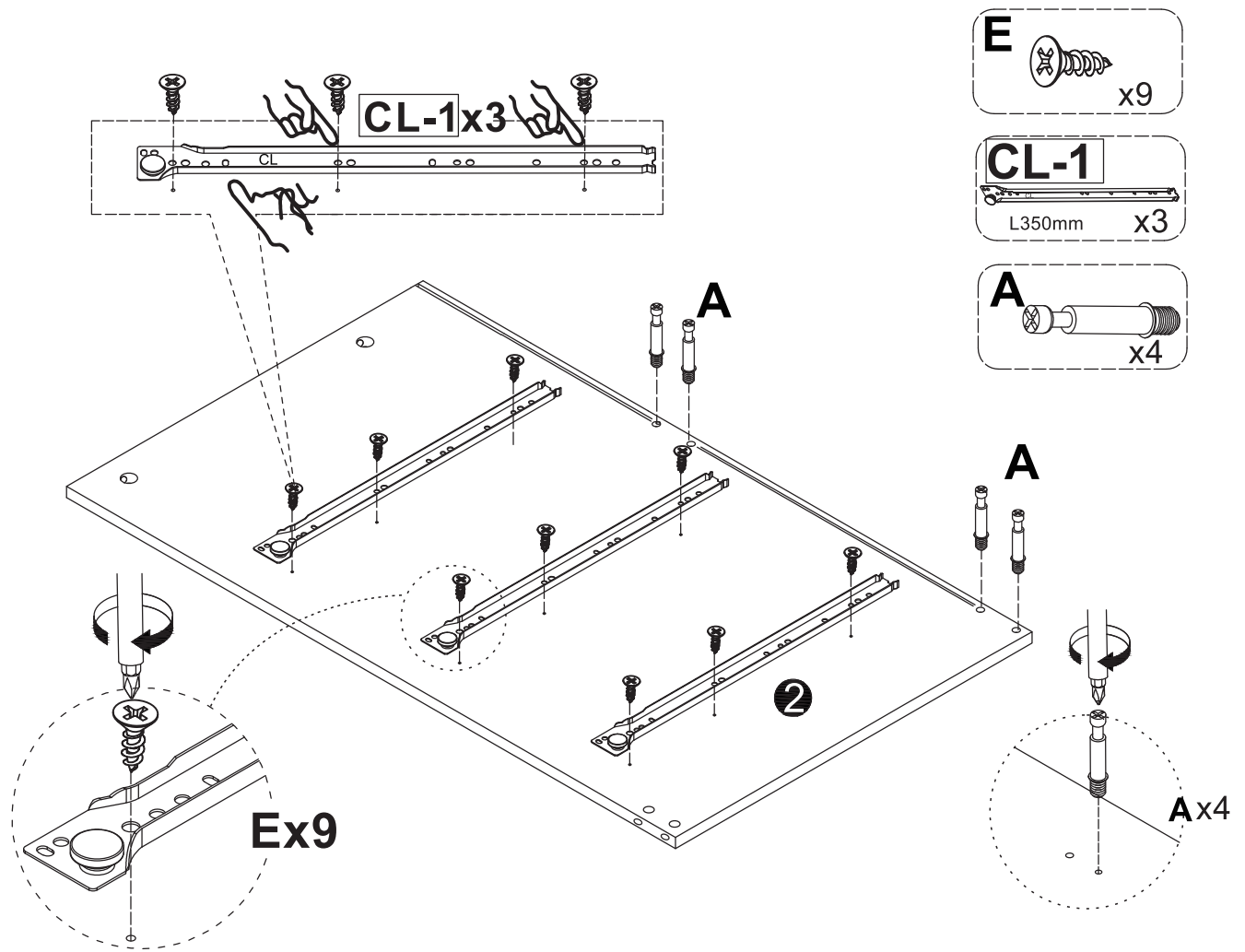
Drawer board



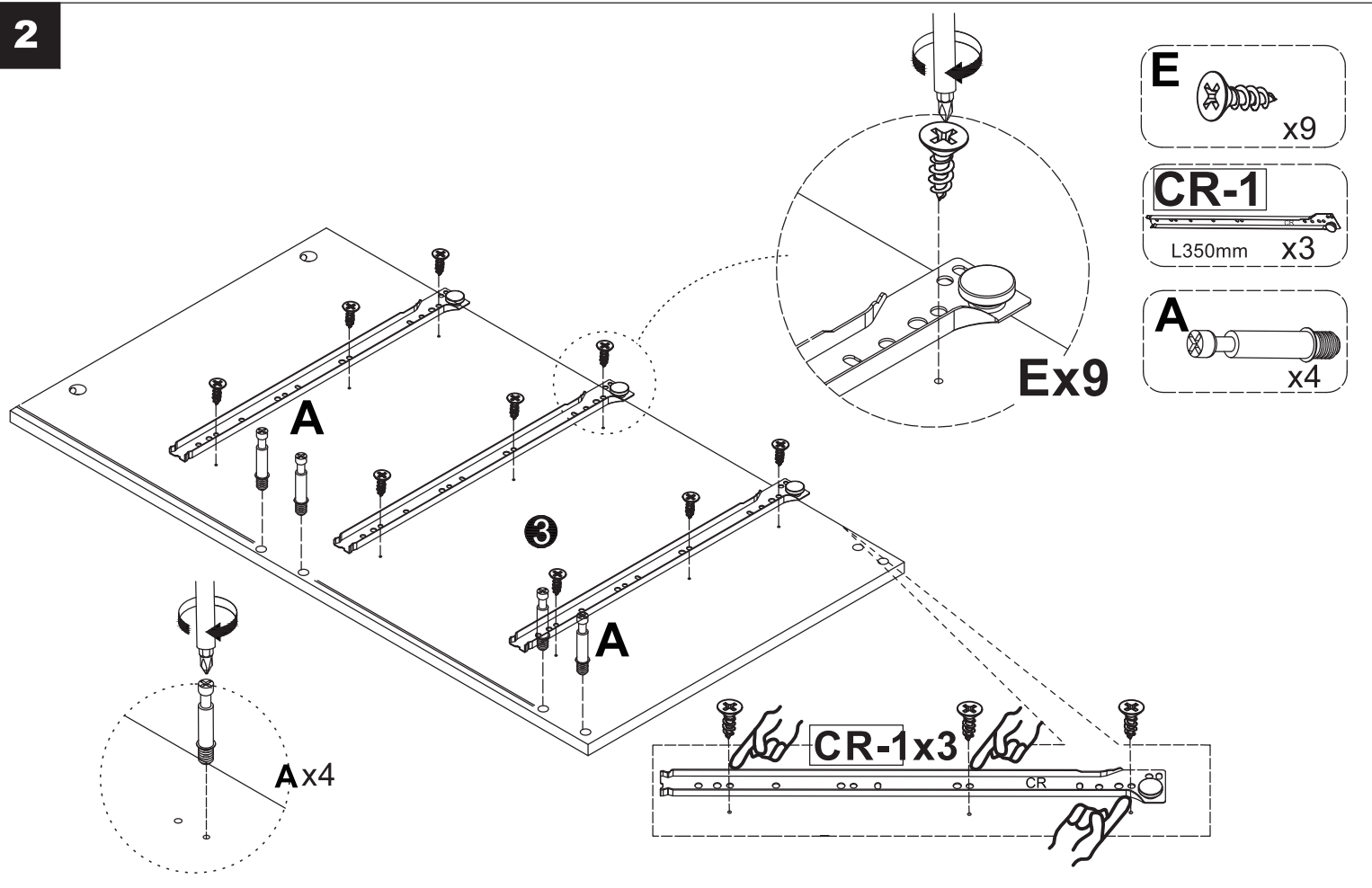
Please use each screw in strict accordance with the instructions.



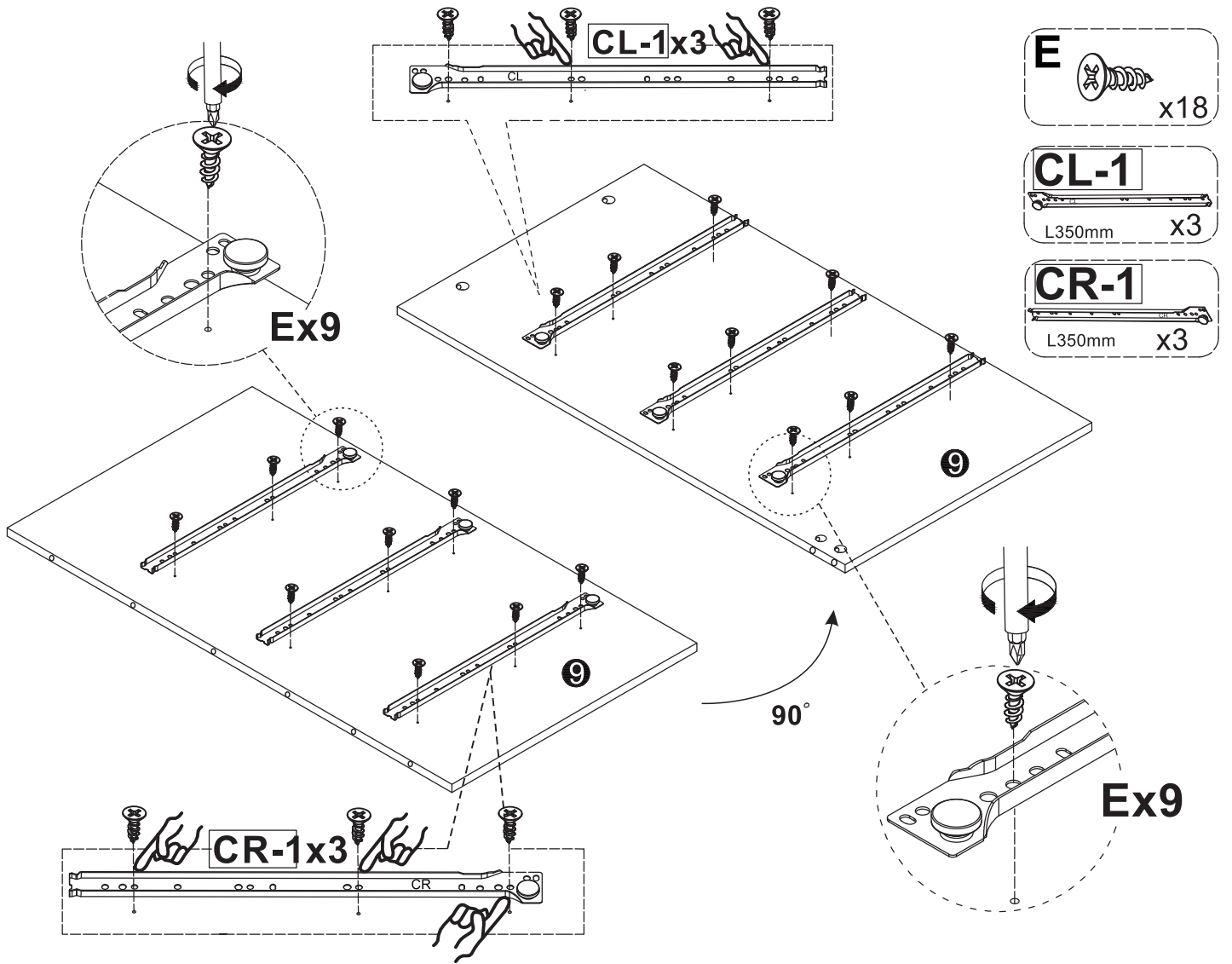
1



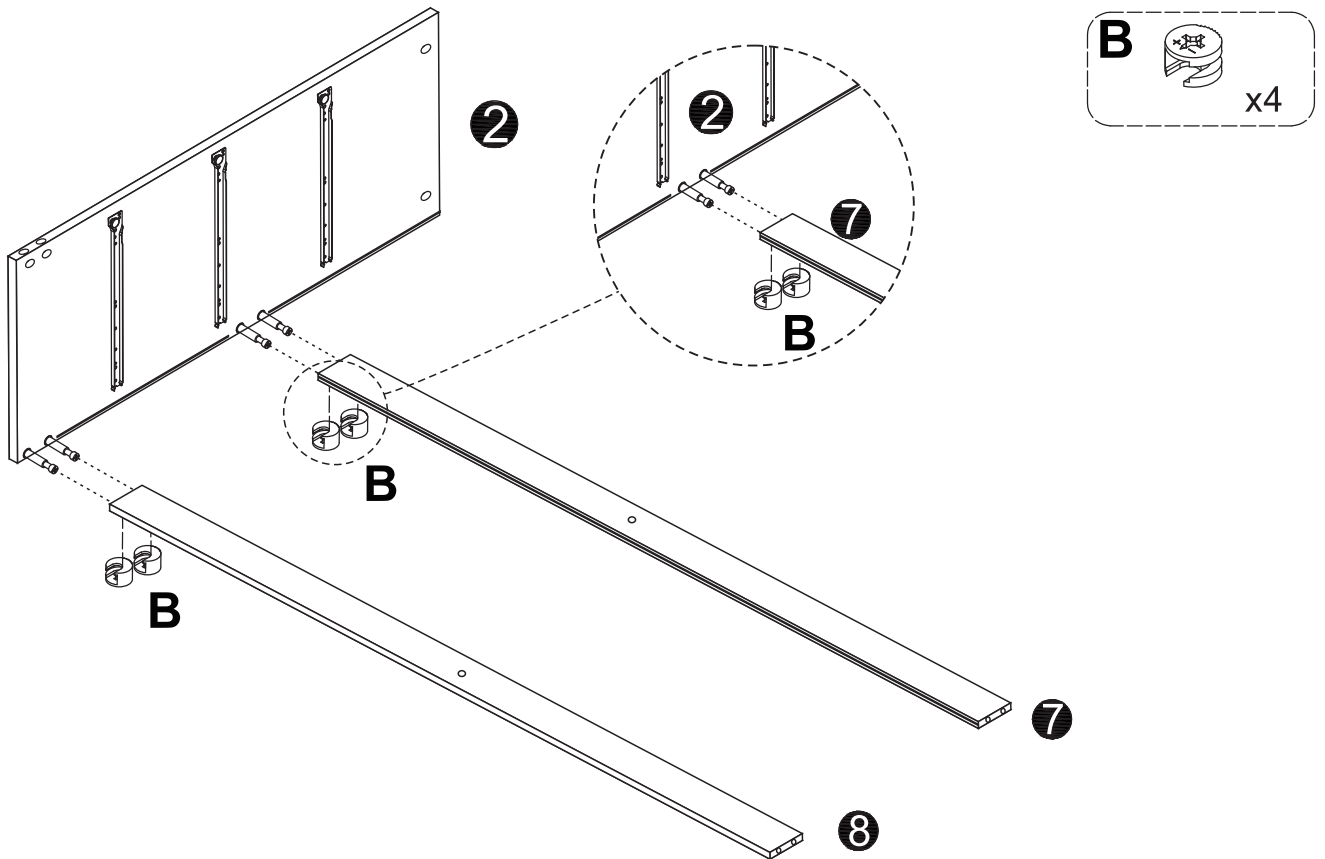
2



3

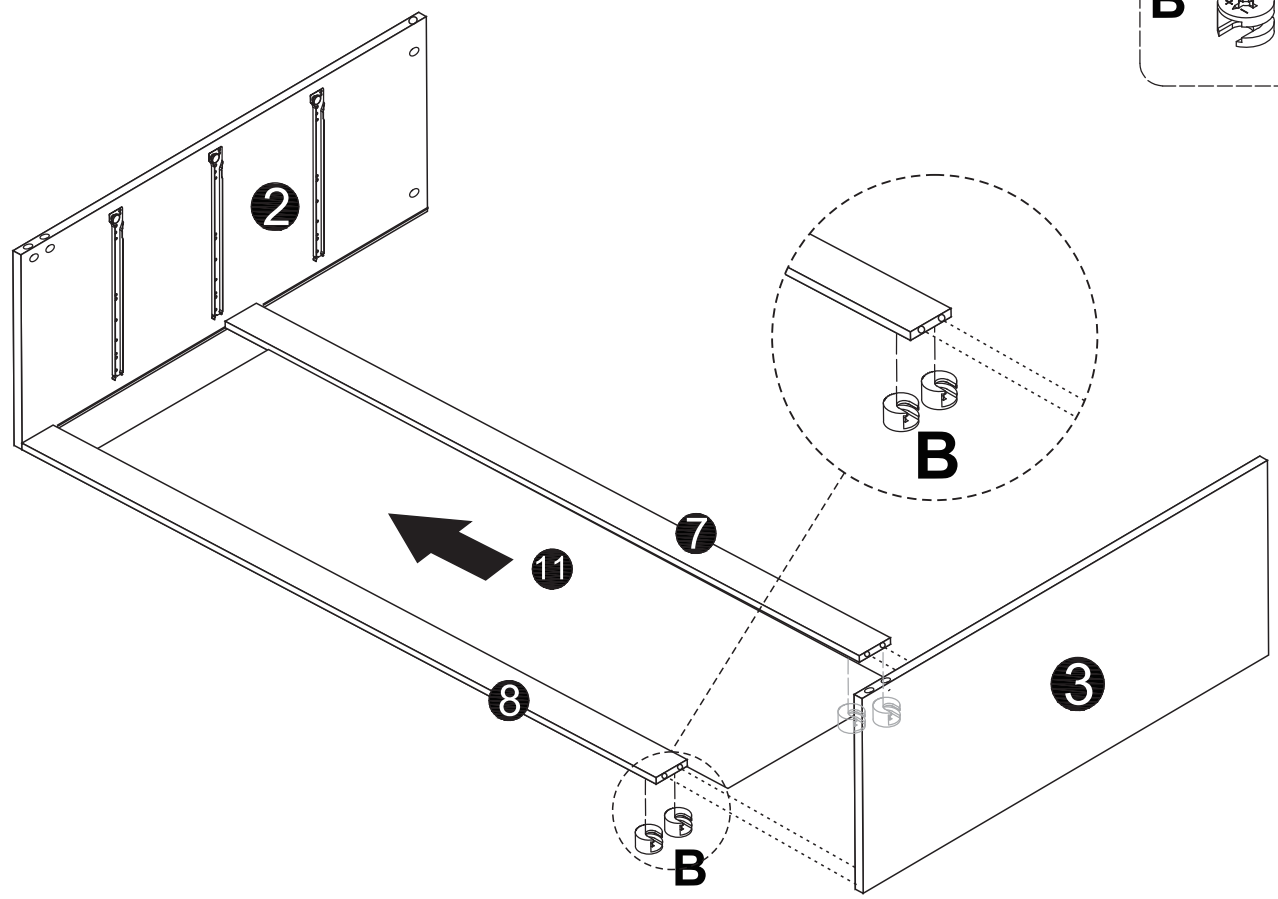


4




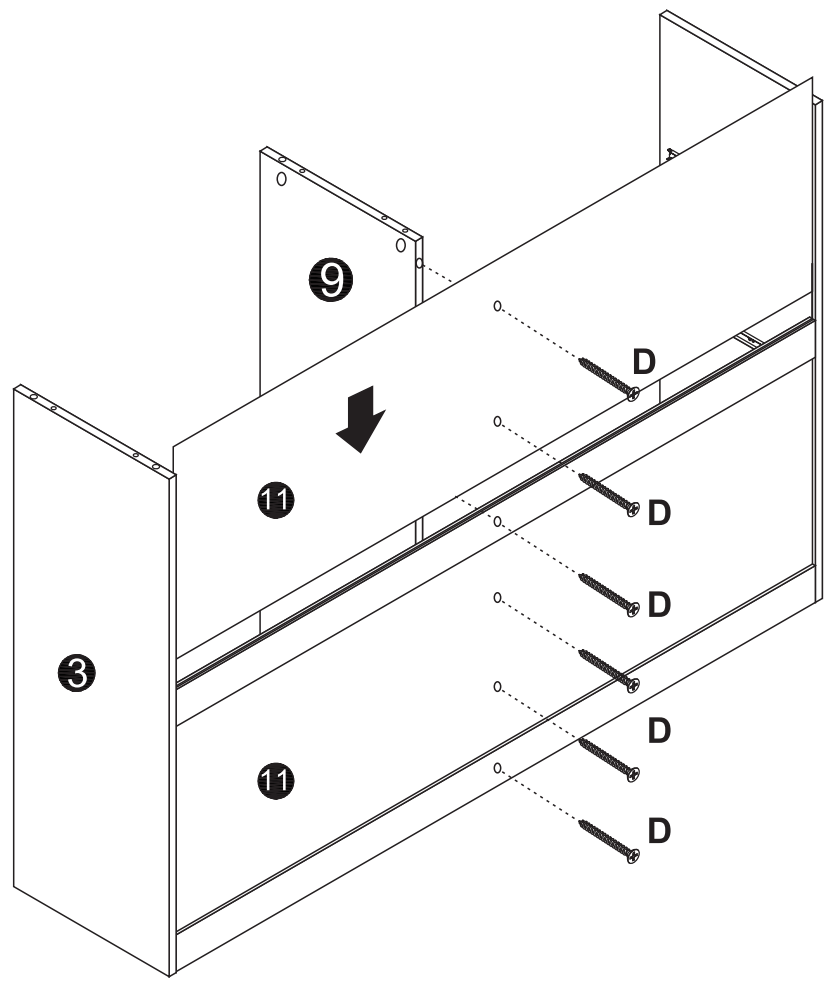
5

B  x4

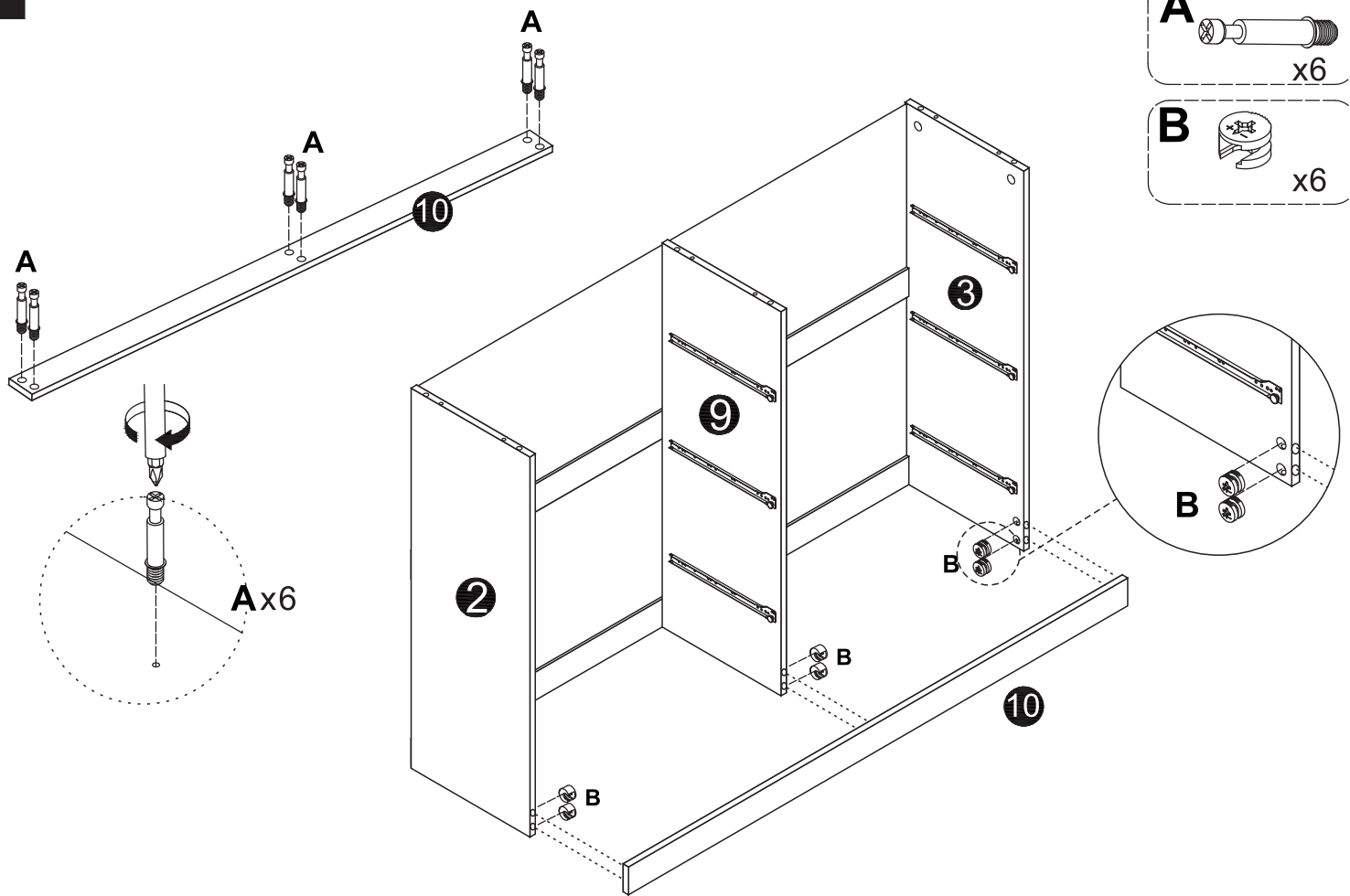


6

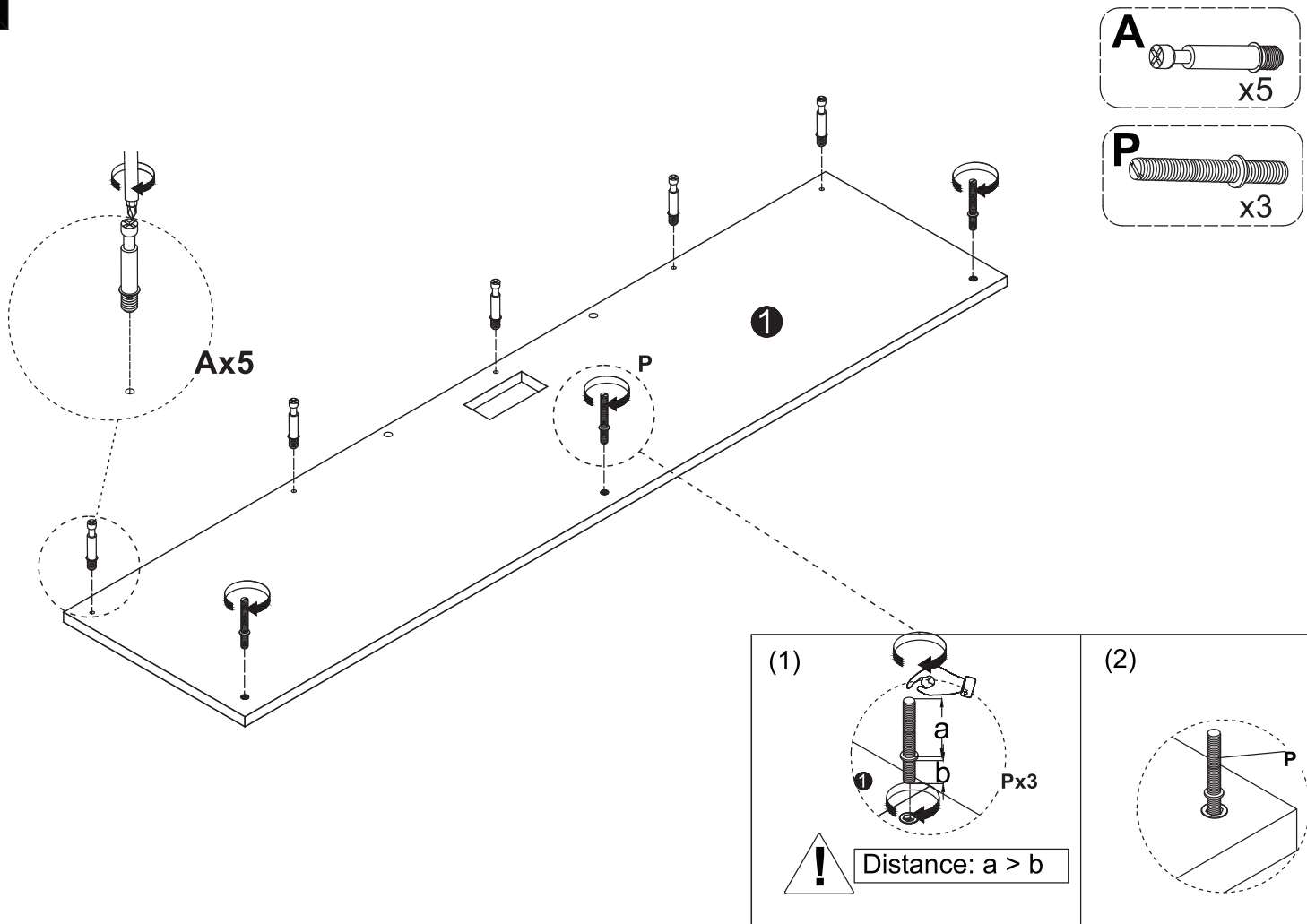
D  x6



7



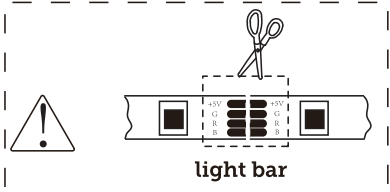
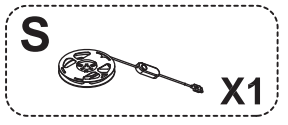
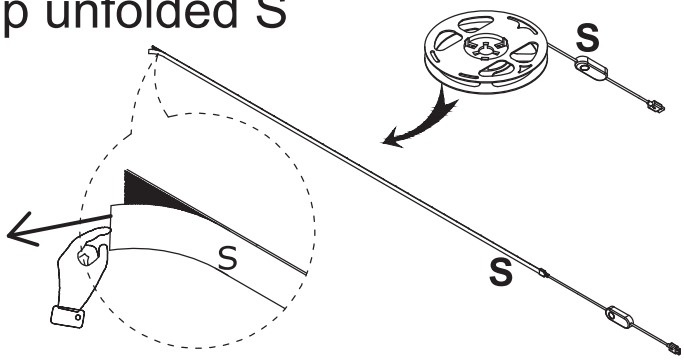
8



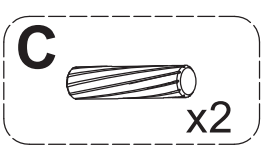
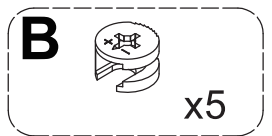
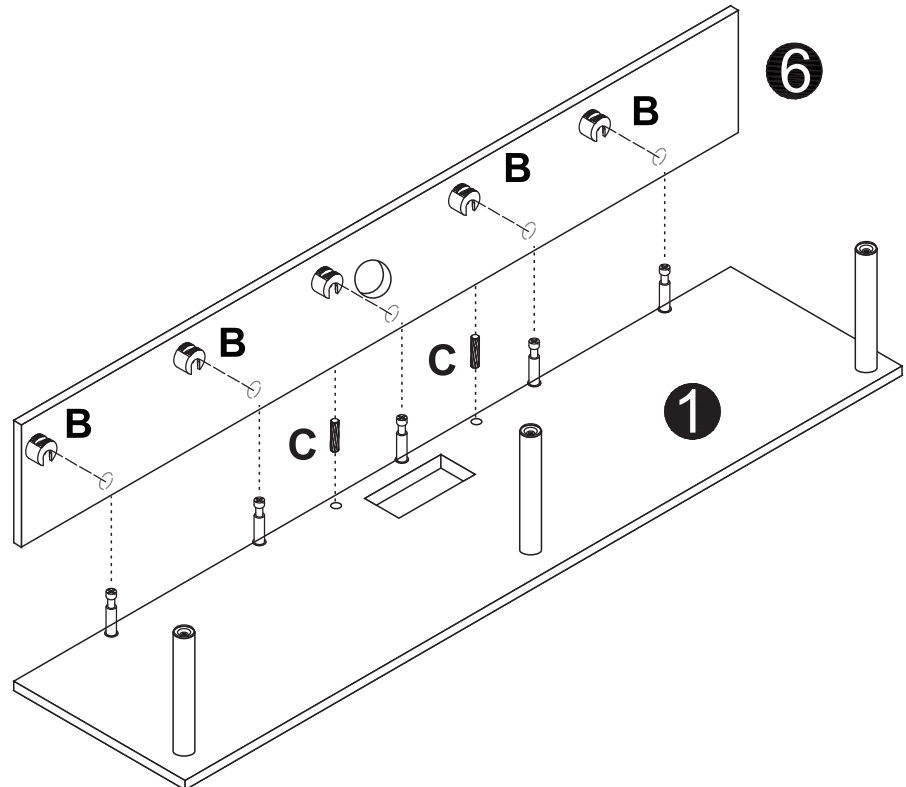
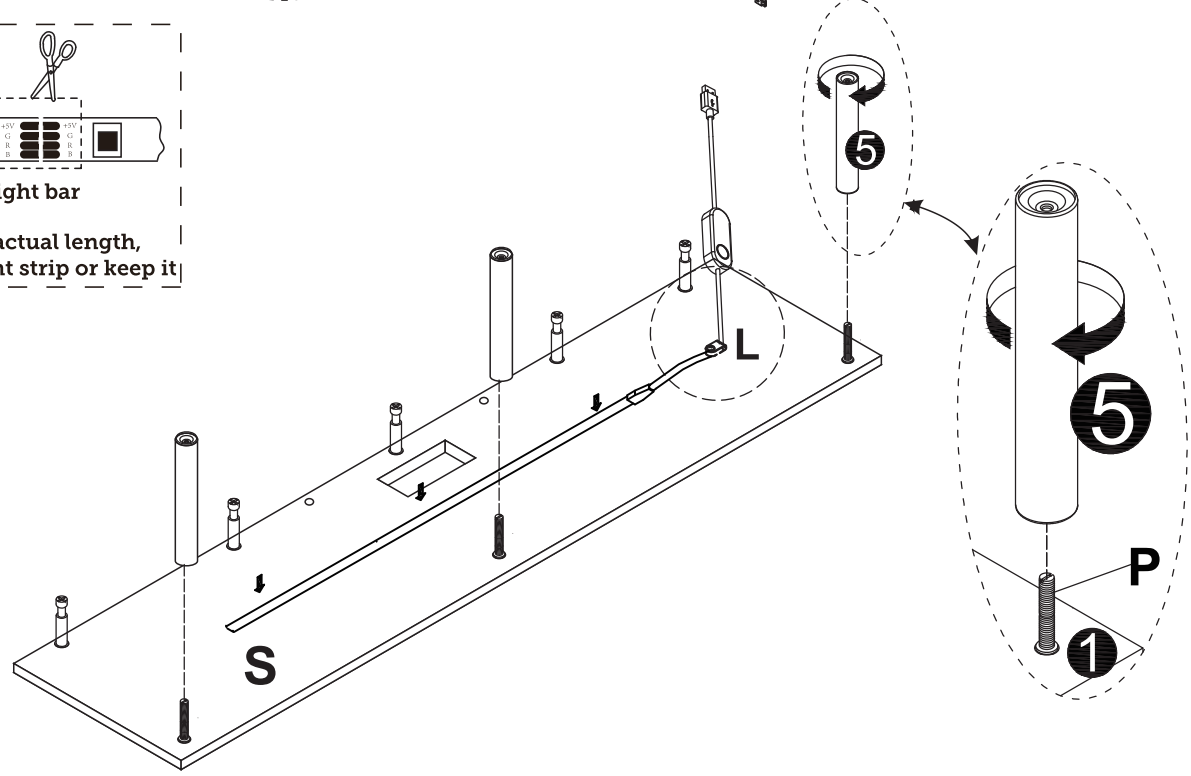
Light strip unfolded S



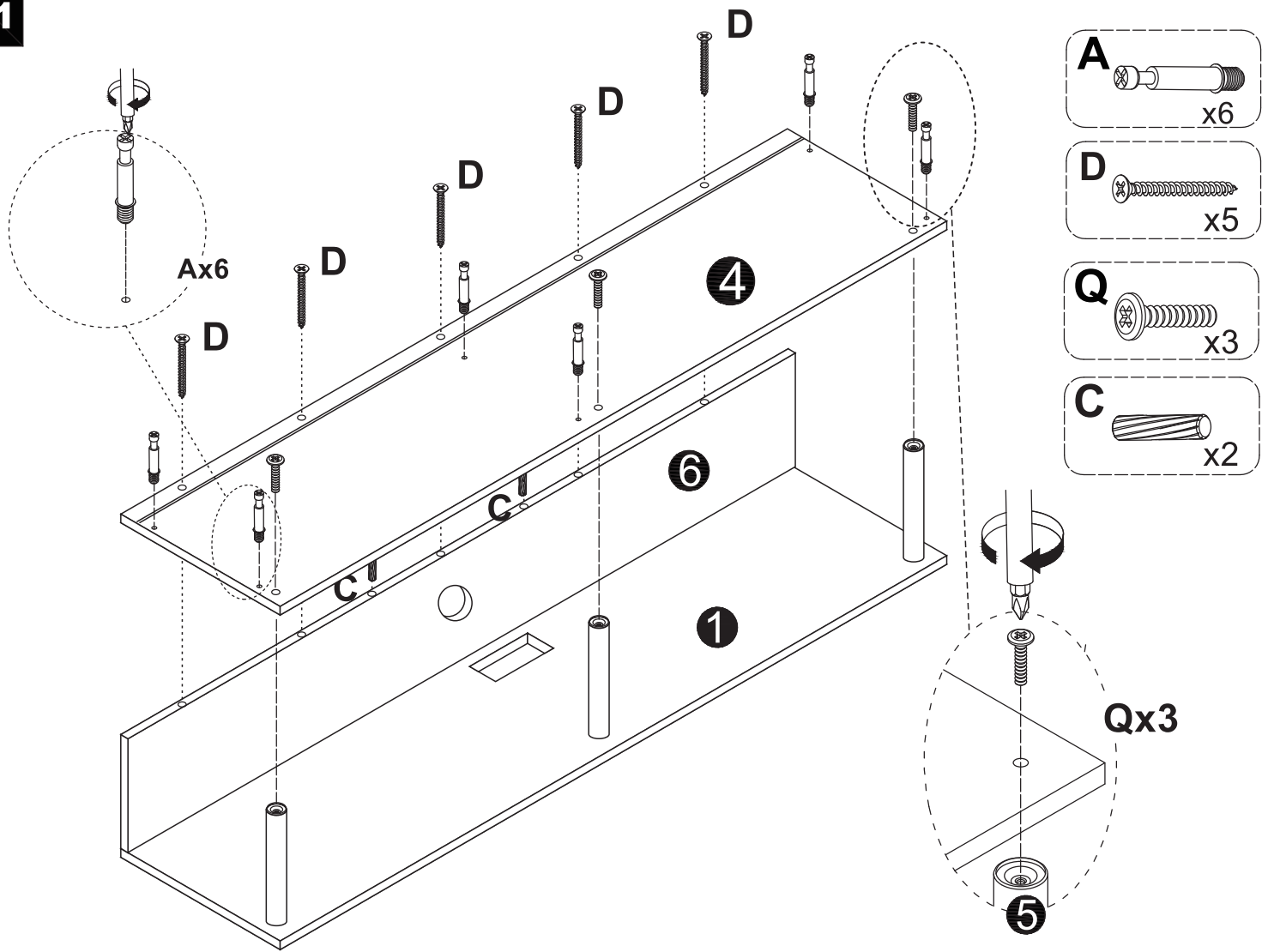
Tear off the back glue of the light strip



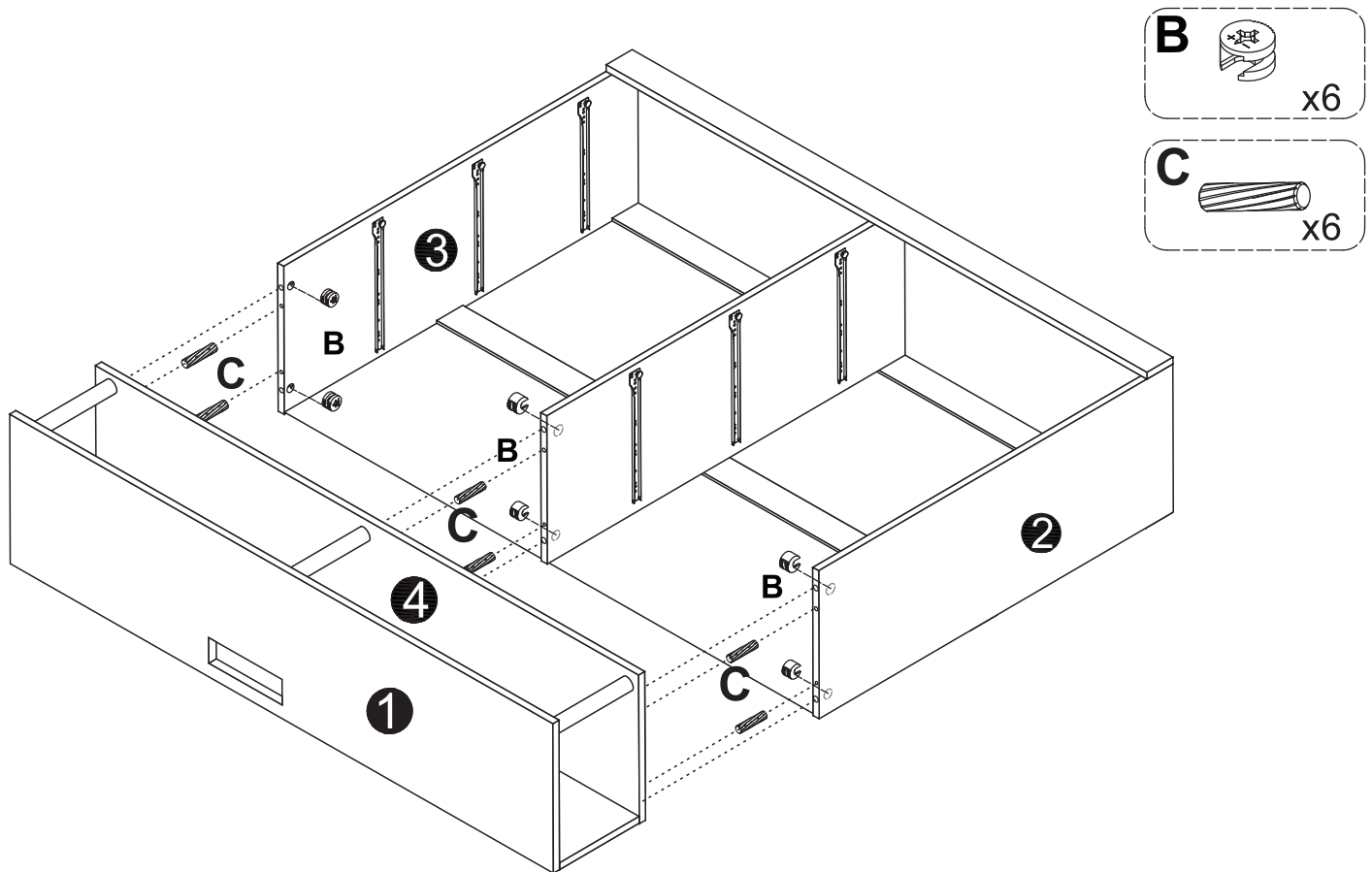
According to the actual length, cut the excess light strip or keep it



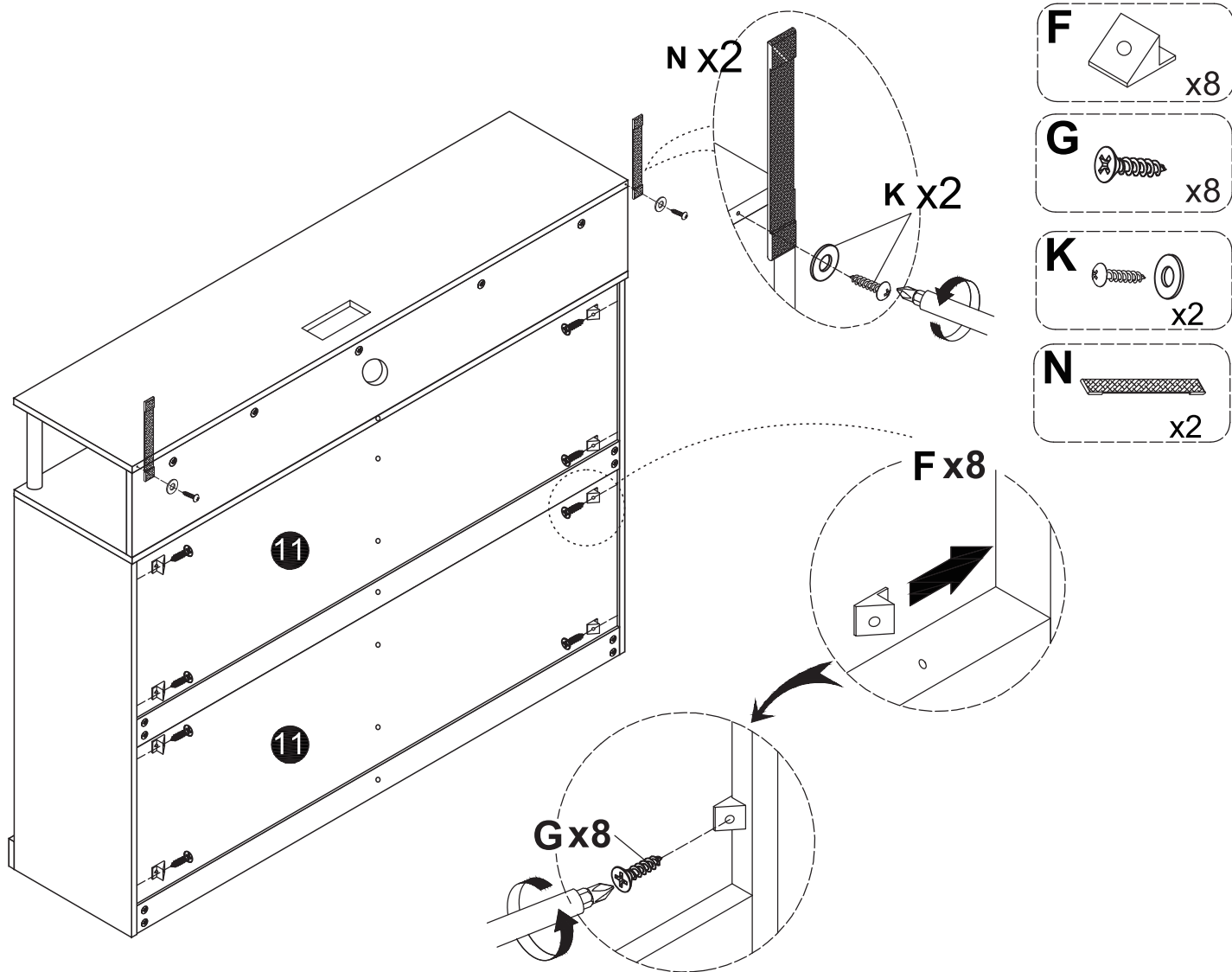
11



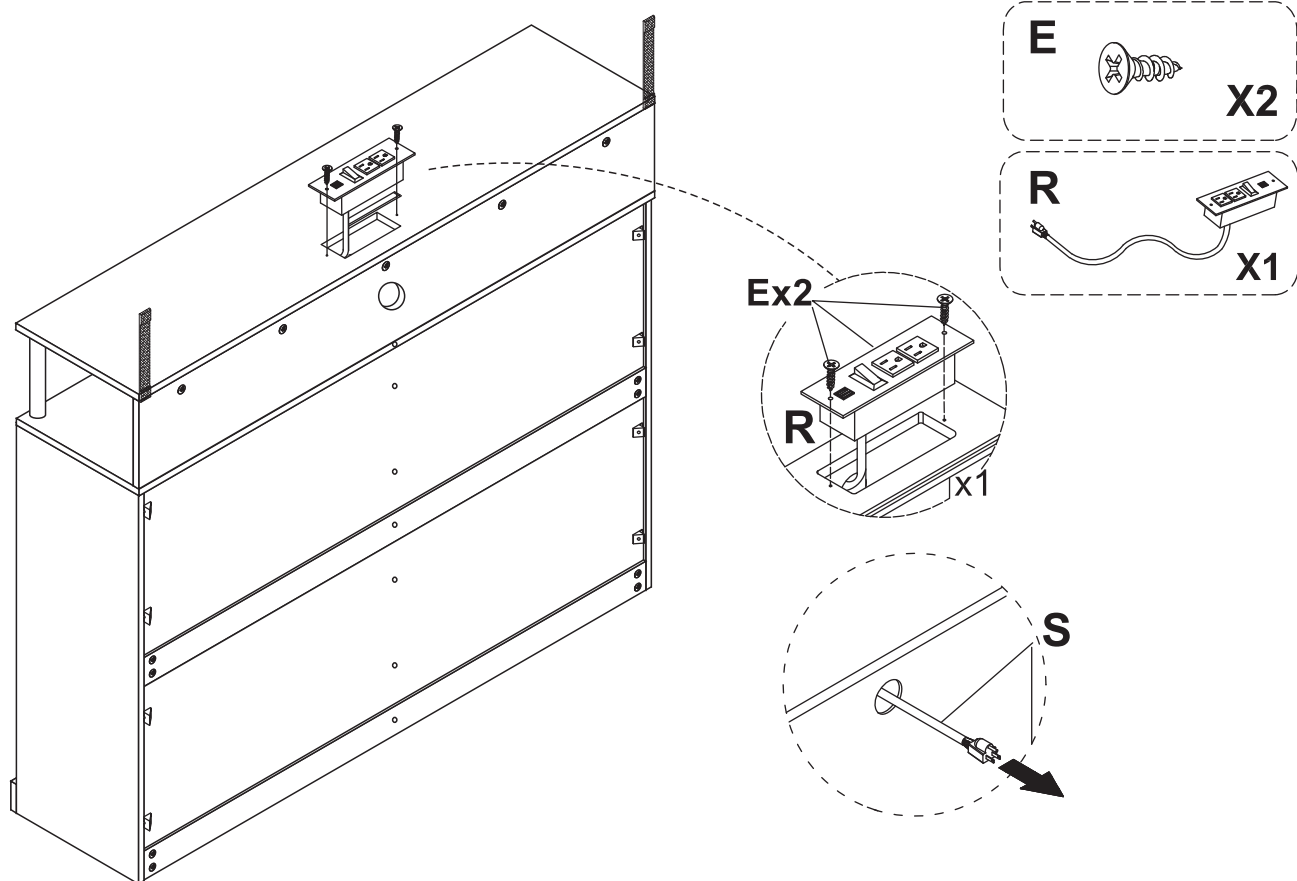
12



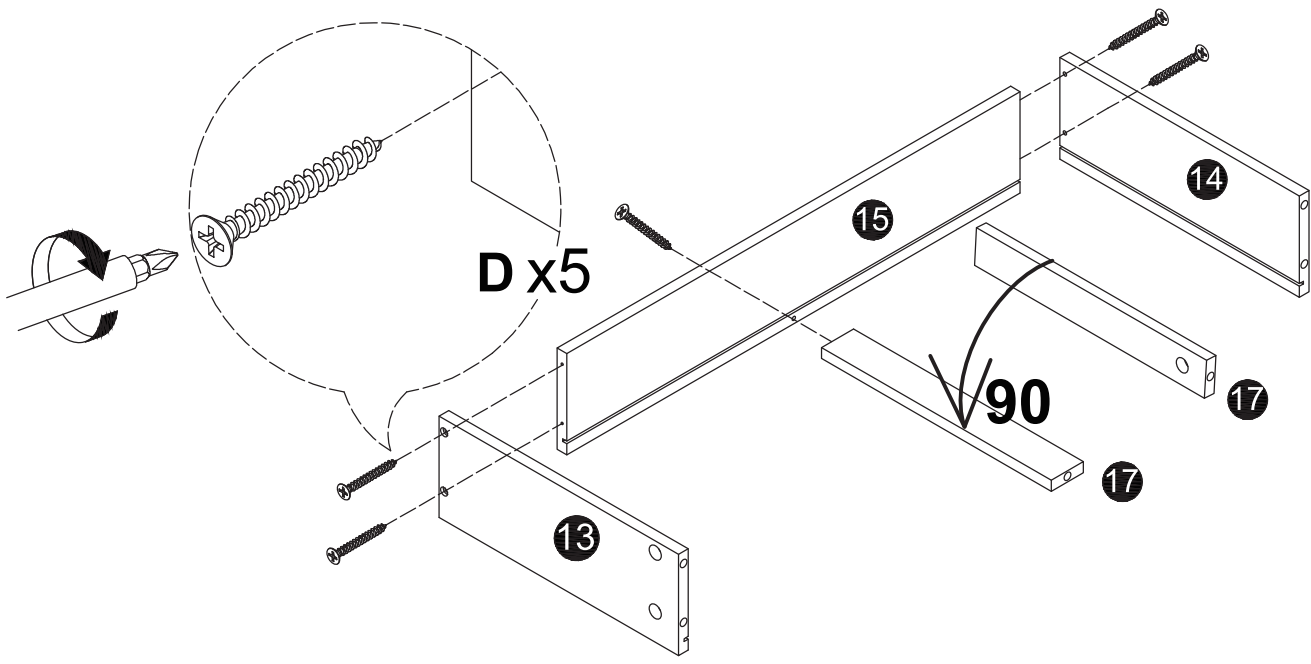
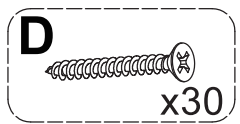
13



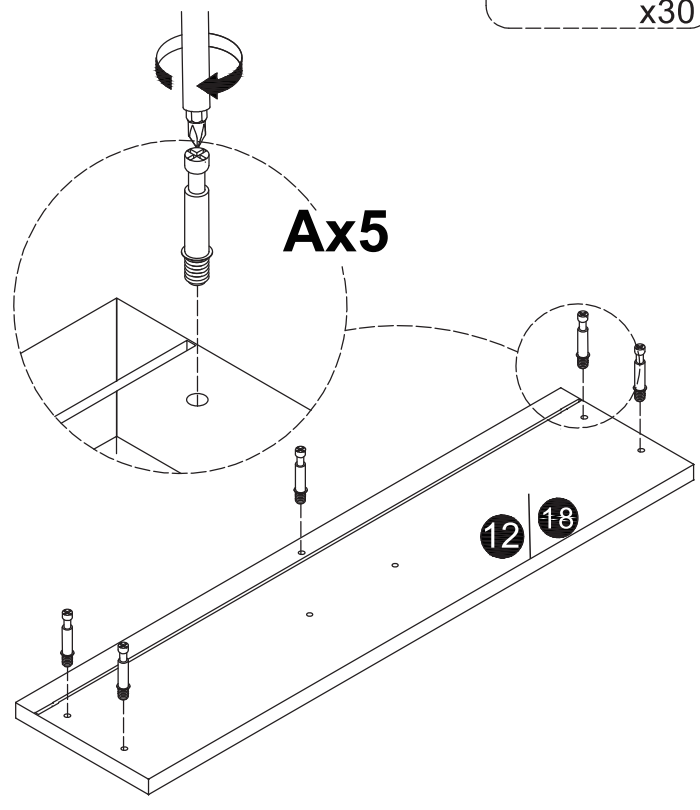
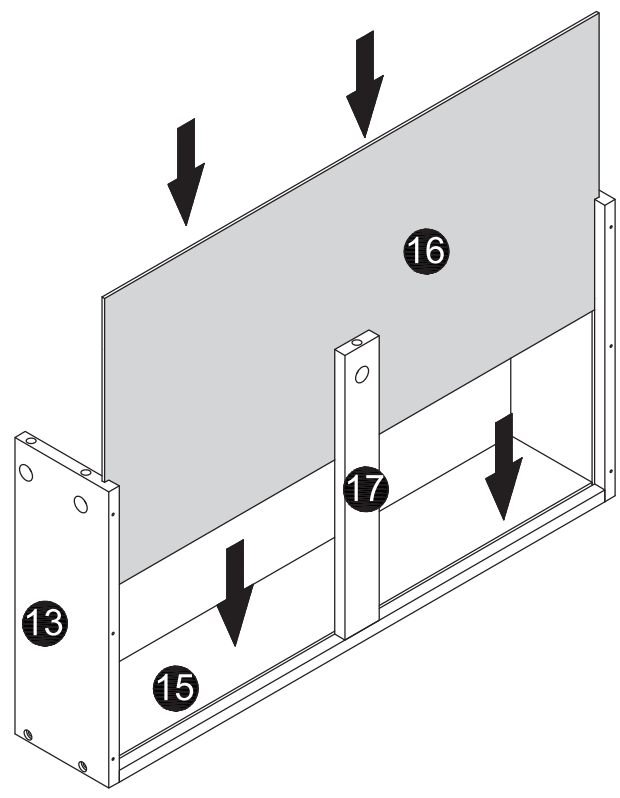
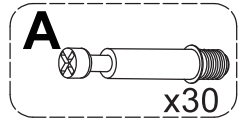
14



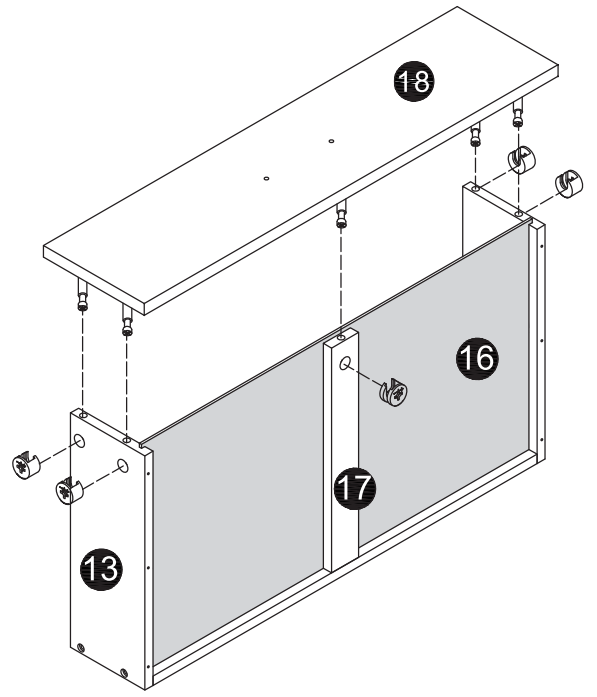
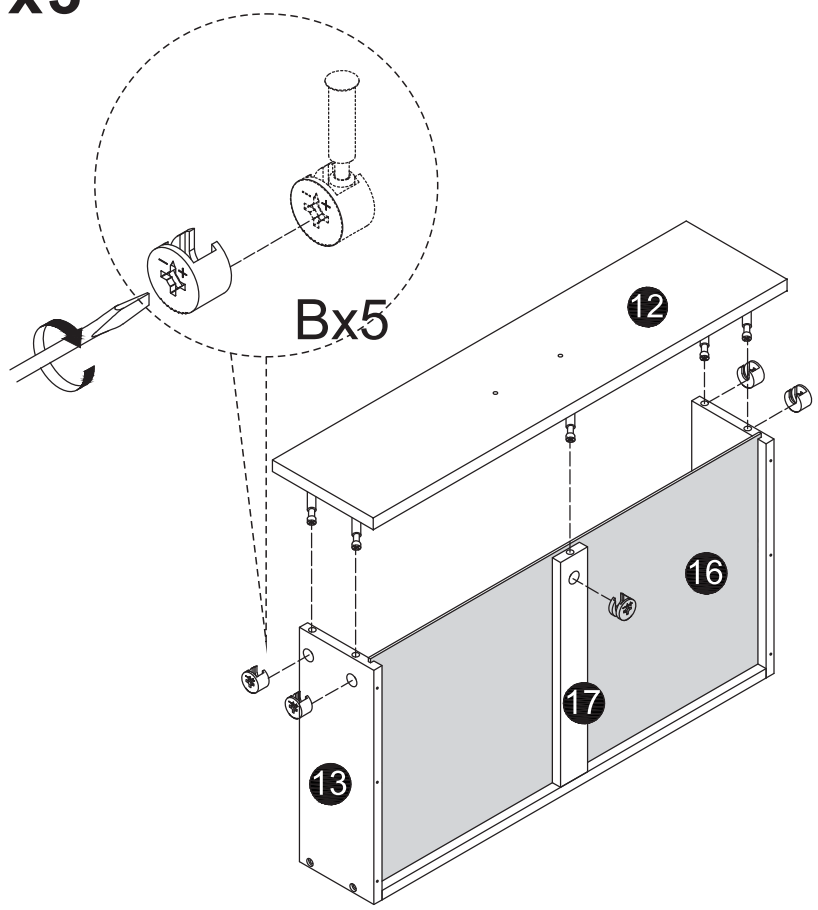
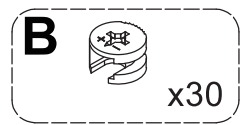
15 x6



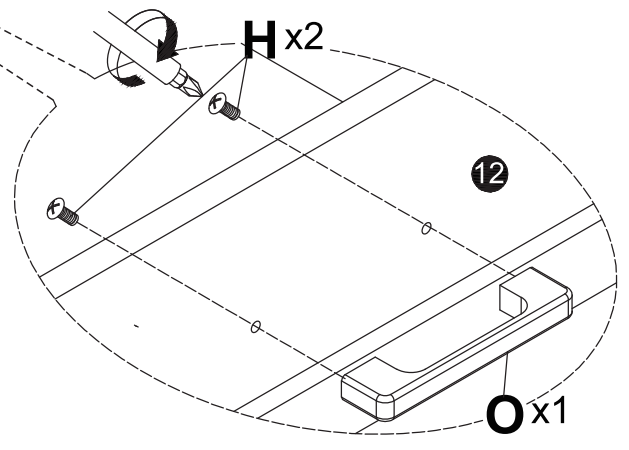
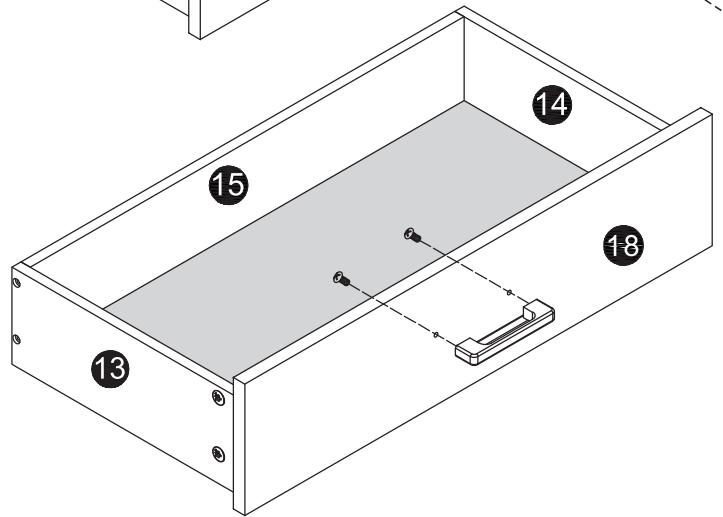
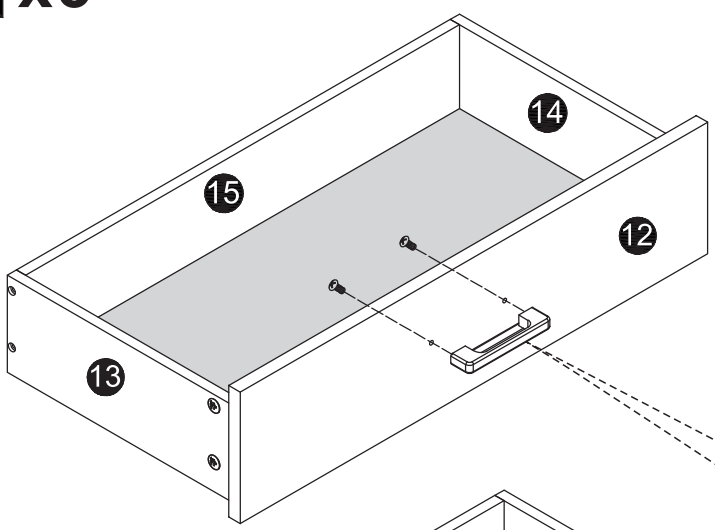
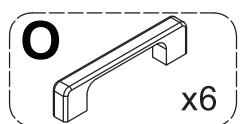
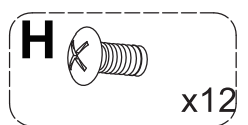
16 x6

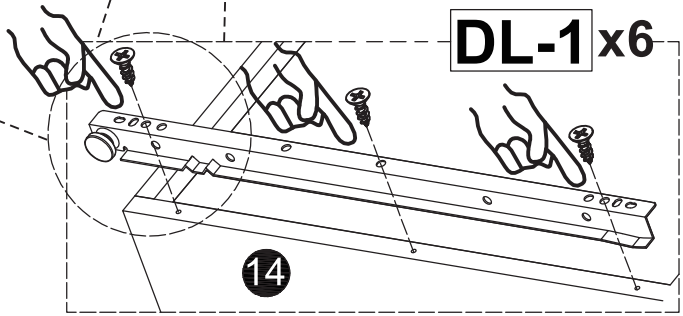
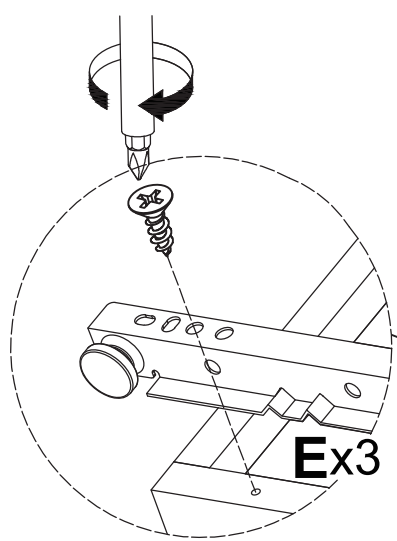
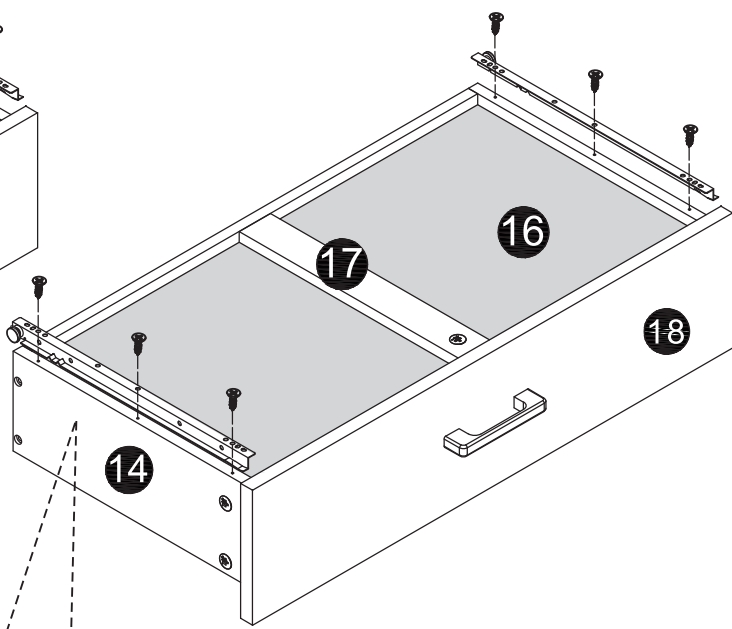
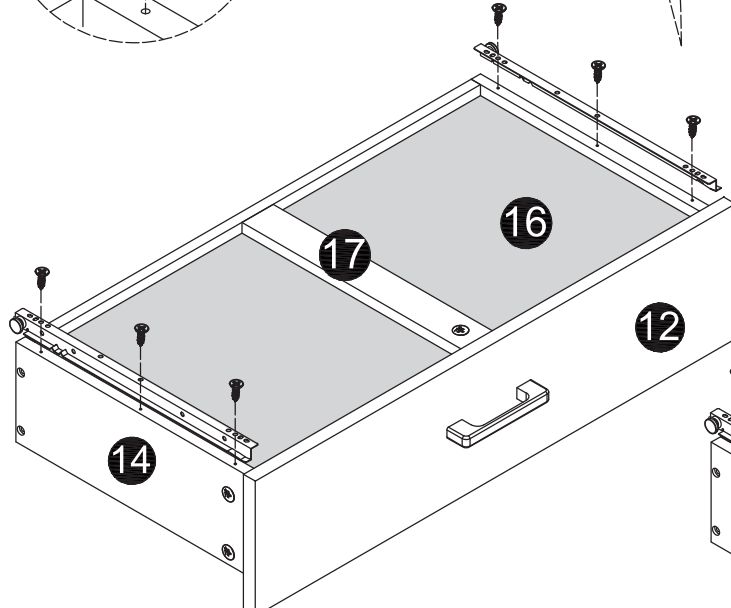
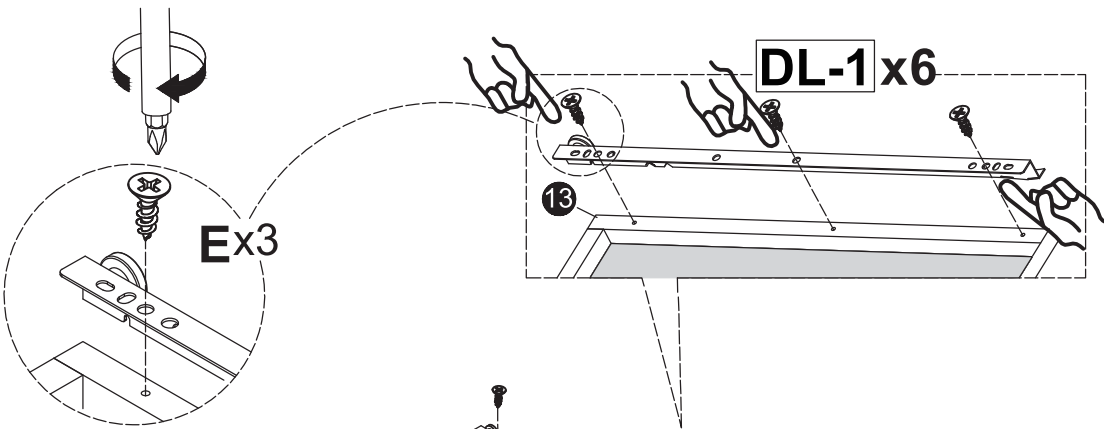
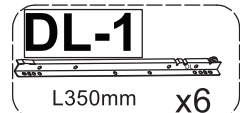
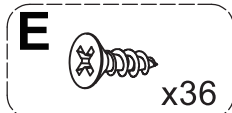


17 x3

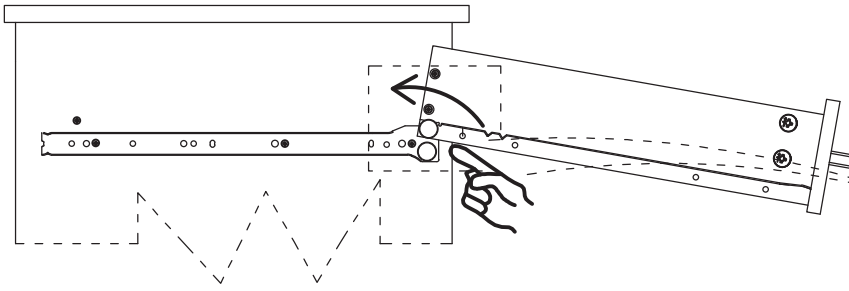


18 x3

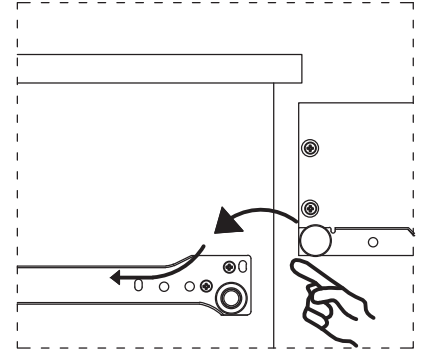
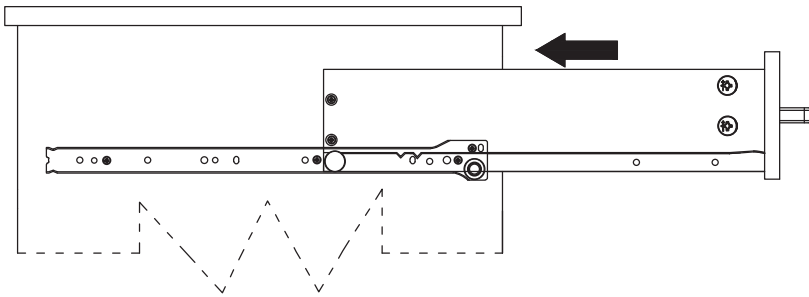




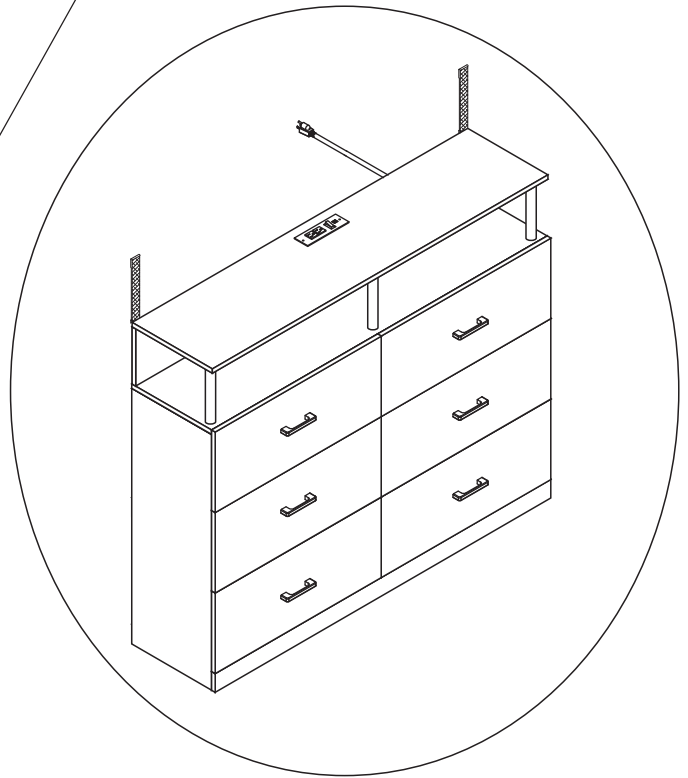
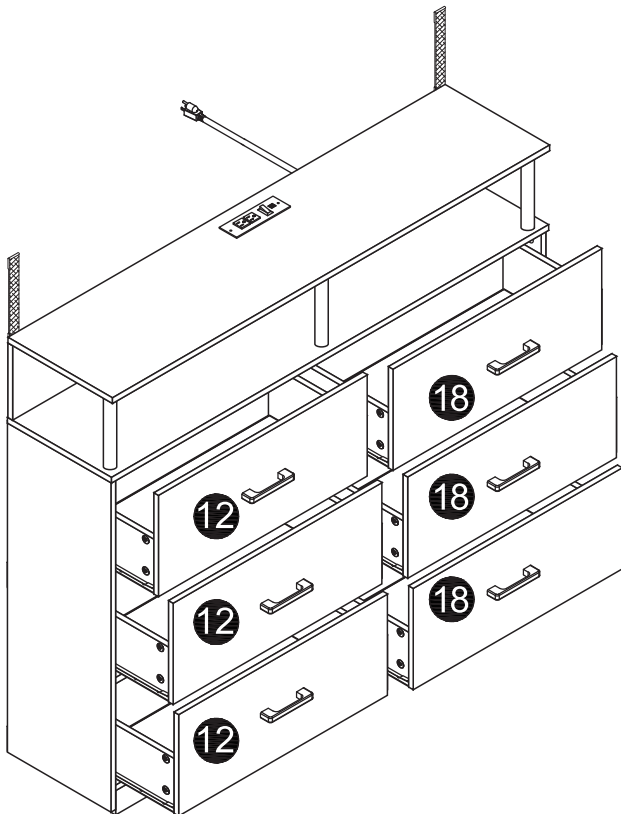
(1)

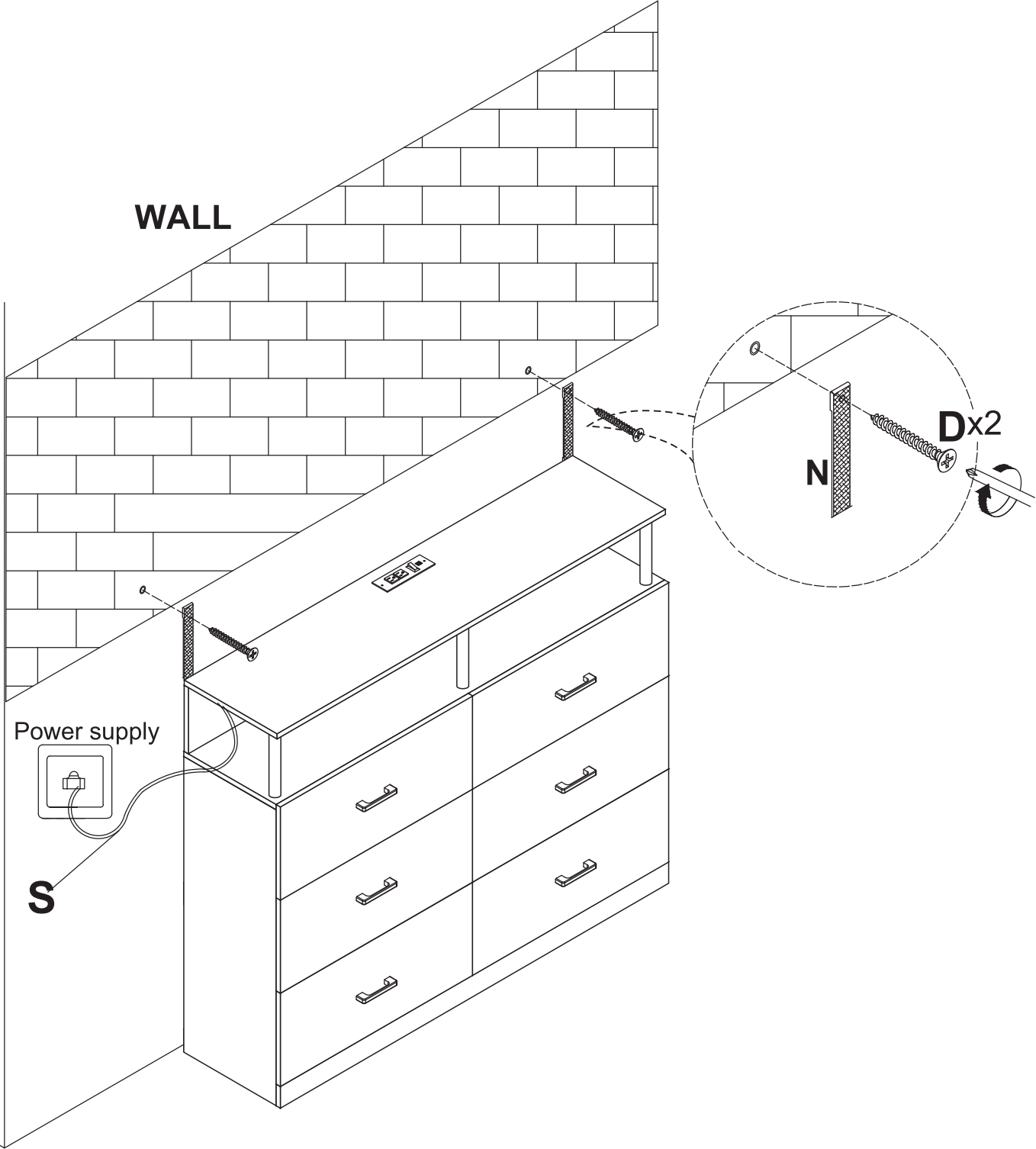
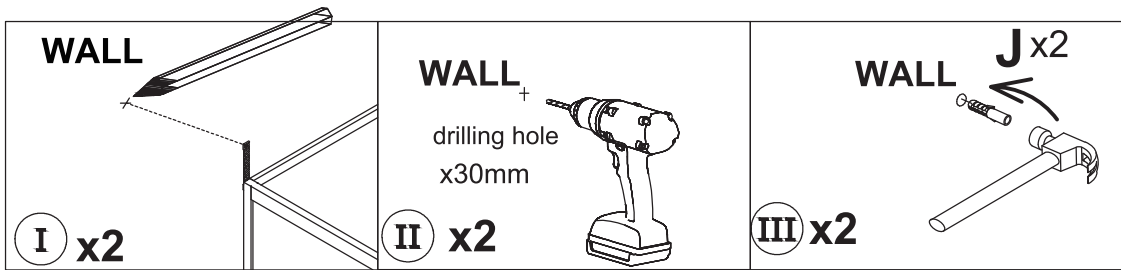


(2)



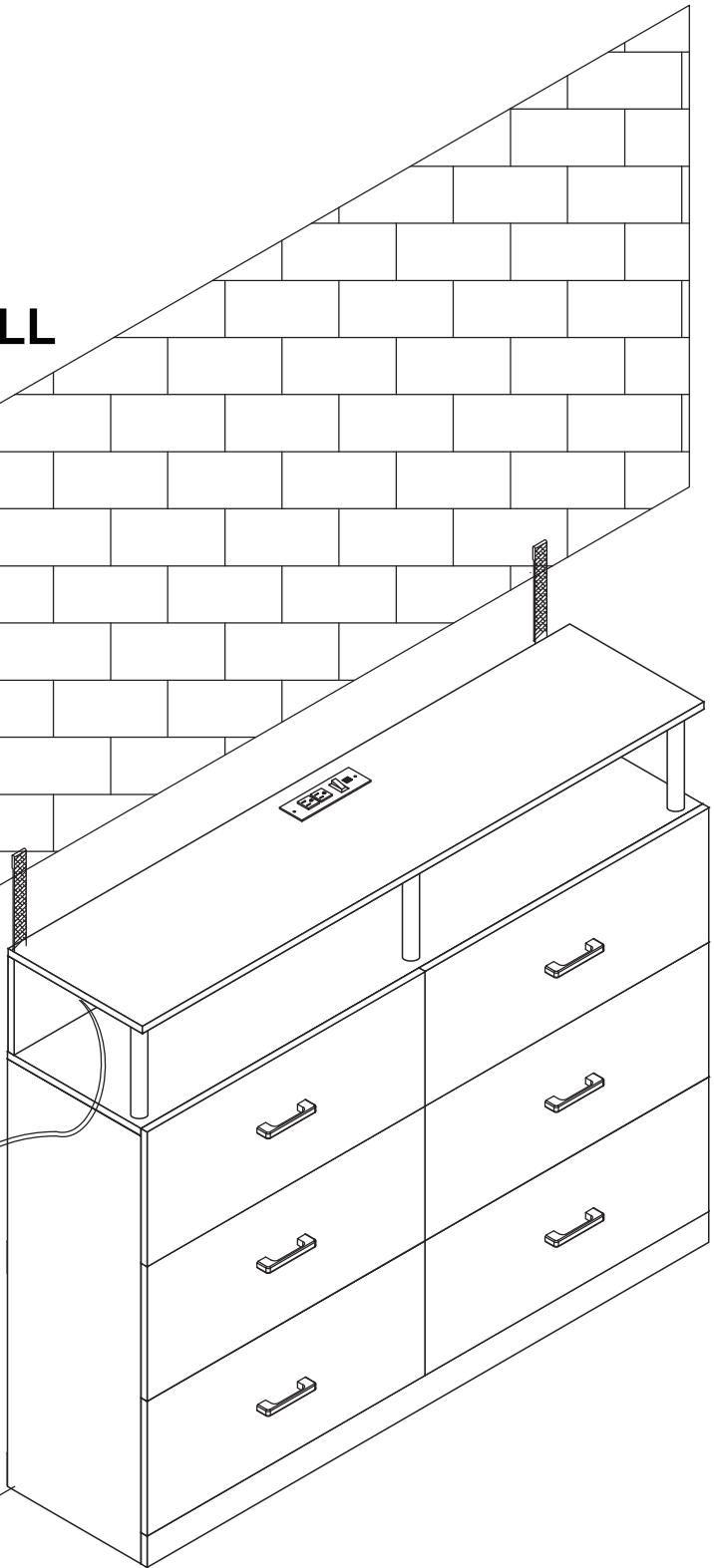
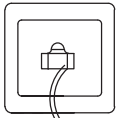
x6





WALL

Power supply



Complete!

